

MAIN SECTIONS

SECTIONS PRINCIPALES

SECCIONES PRINCIPALES

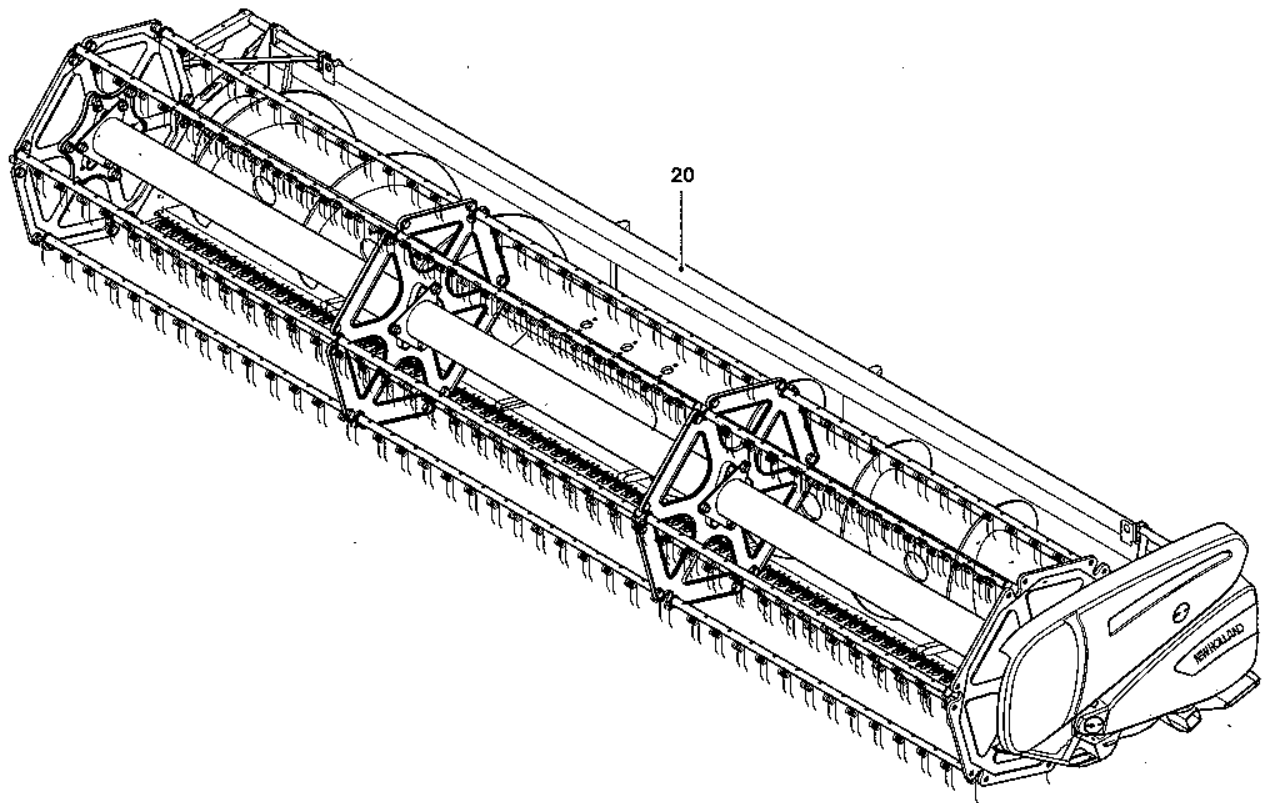
HOVEDAFSNIT

SEZIONI PRINCIPALI

HAUPTABSCHNITTE

SECÇÕES PRINCIPAIS

HOOFDSECTIES



HIGH-CAPACITY GRAIN HEADER (1/02- )

0.0016(01) MAIN SECTIONS

сылка	Номер детали	Кол-во	Описание

**ACCESSORIES**

**ACCESSOIRES**

**ACCESORIOS**

**TILBEHØR**

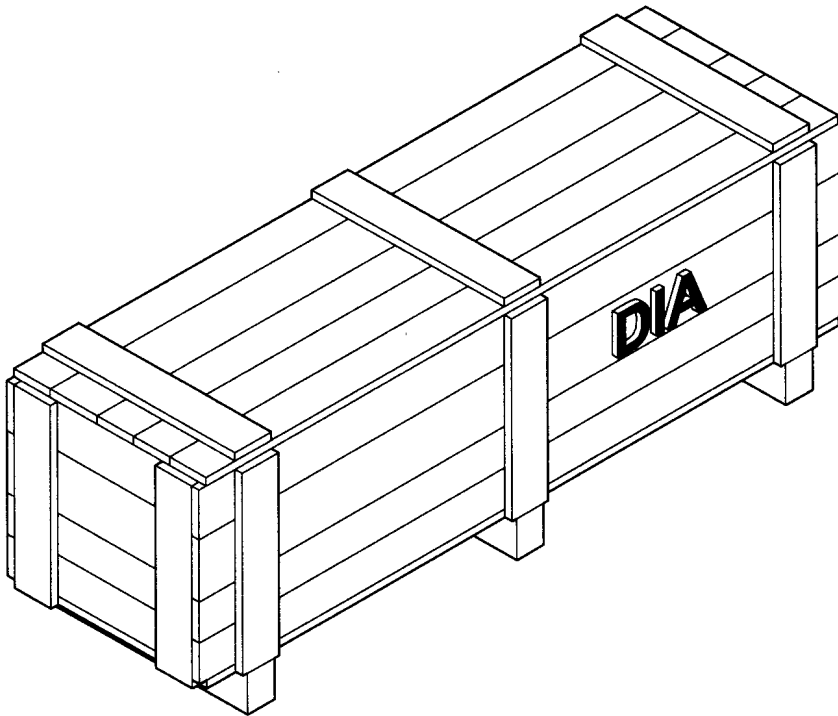
**ACCESSORI**

**ZUBEHÖR**

**ACESSORIOS**

**TOEBEHOREN**

**SEC. 18**





HEADERS

BEC CUEILLEUR

BARRA

SKÆREBORDE

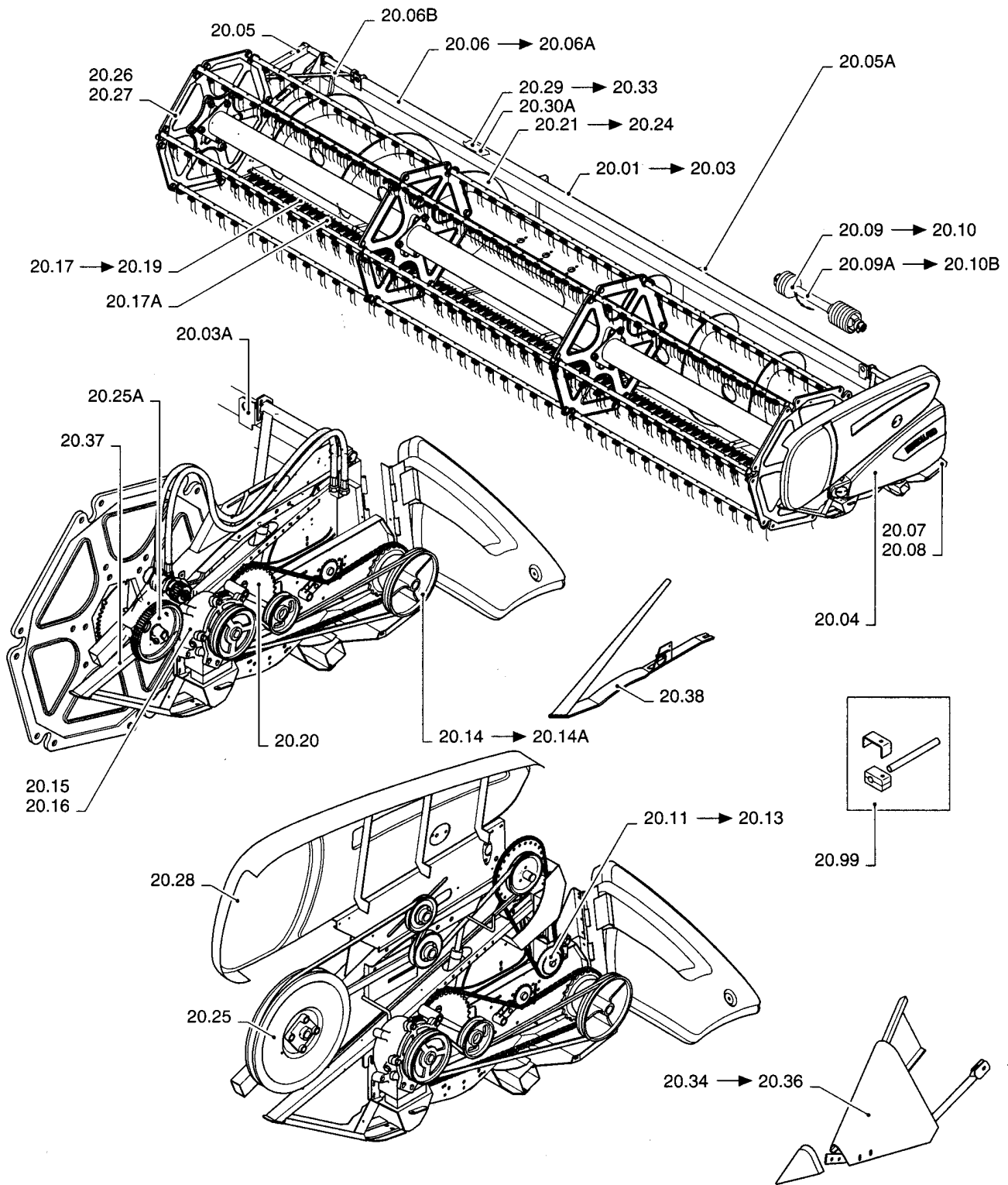
BARRA

SCHNEIDWERK

CABEÇALHO DE CEIFA

MAAIBORDEN

**SEC. 20**





VERSION LIST  
 ELENCO VERSIONI  
 LISTE DE VERSION  
 VERZEICHNIS DER VERSIONEN

LISTA DE VERSIONES  
 LISTA DAS VERSÕES  
 TYPELISTE  
 LIJST VAN VERSIES

Vehicle	Modelo	Chassi	Chasis
Modello	Modelo	Telaio	Armação
Modele	Model	Chassis	Stativ
Modells	Model	Fahrgestell	Raam
<b>--=header width</b>			
<b>High-Capacity Grain Header</b>	<b>--3.....</b>	<b>(Zedelgem) Untill Season 06</b>	
	<b>--7.....</b>	<b>(Zedelgem) From Season 07</b>	
	<b>--9.....</b>	<b>(Poland)</b>	
<b>Extra-Capacity Grain Header</b>	<b>--3.....</b>	<b>(Zedelgem) Untill Season 06</b>	
	<b>--7.....</b>	<b>(Zedelgem) From Season 07</b>	
	<b>--9.....</b>	<b>(Poland)</b>	
<b>Varifeed Grain Header</b>	<b>--3.....</b>	<b>(Zedelgem) Untill Season 06</b>	
	<b>--7.....</b>	<b>(Zedelgem) From Season 07</b>	
	<b>--9.....</b>	<b>(Poland)</b>	

HIGH-CAPACITY GRAIN HEADER (1/02- )

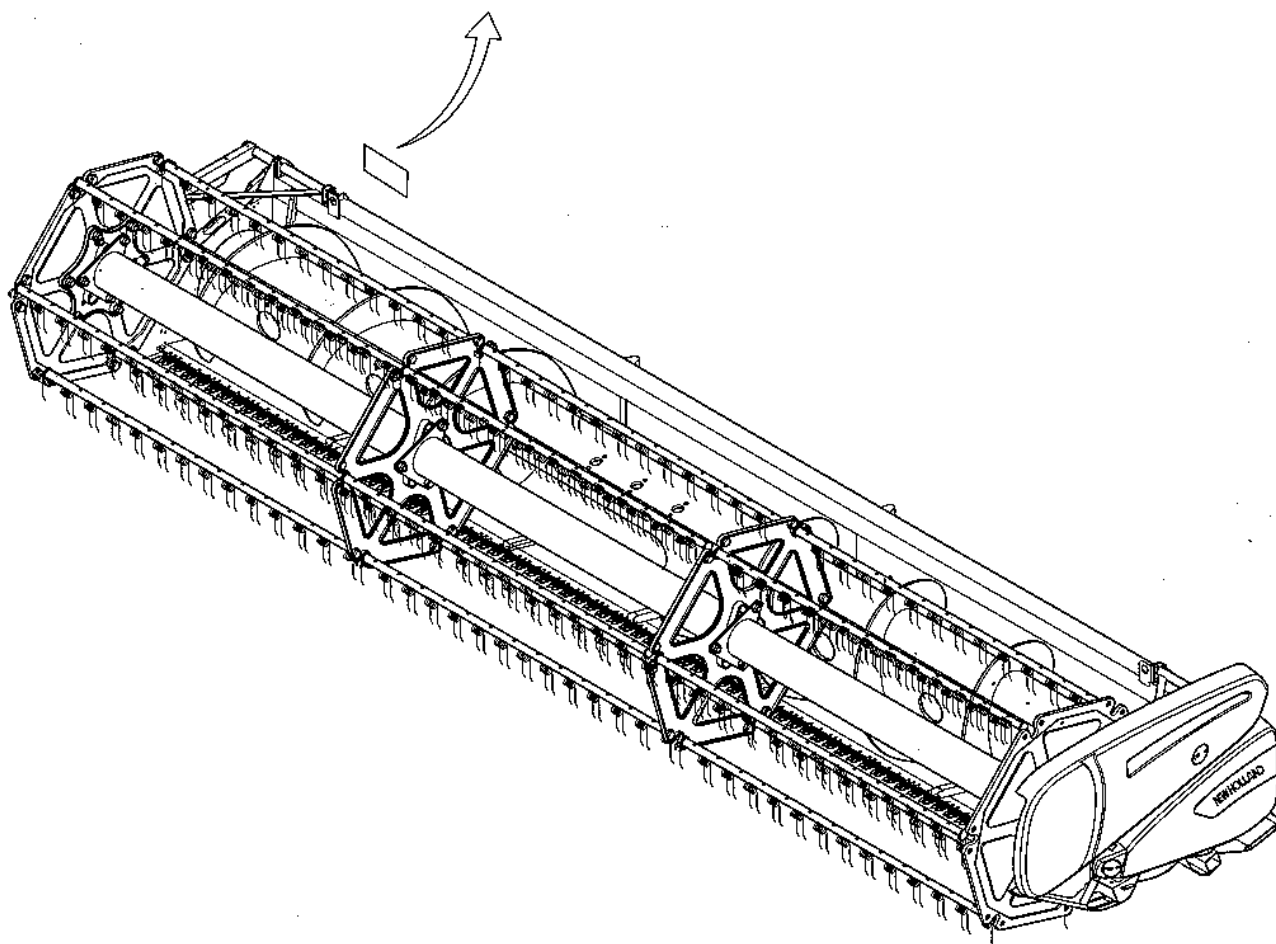
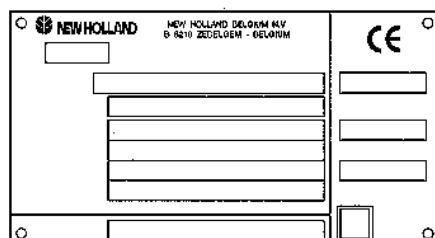
0.0037(01) VERSION LIST

сылка	Номер детали	Кол-во	Описание

IDENTIFICATION PLATES  
TARGHETTE DI IDENTIFICAZIONE  
PLAQUES D'IDENTIFICATION  
TYPENSCHILDER

PLACAS DE IDENTIFICACIÓN  
CHAPAS DE IDENTIFICAÇÃO  
IDENTIFIKATIONSPLADER  
IDENTIFICATIEPLATEN

VEHICLE IDENTIFICATION  
IDENTIFICAZIONE MODELLO  
IDENTIFICATION MODELE  
KENNZEICHEN MODELLS  
IDENTIFICACION MODELO  
IDENTIFICAÇÃO DO MODELO  
MODELKENDINGSPLADE  
MODELIDENTIFICATIE



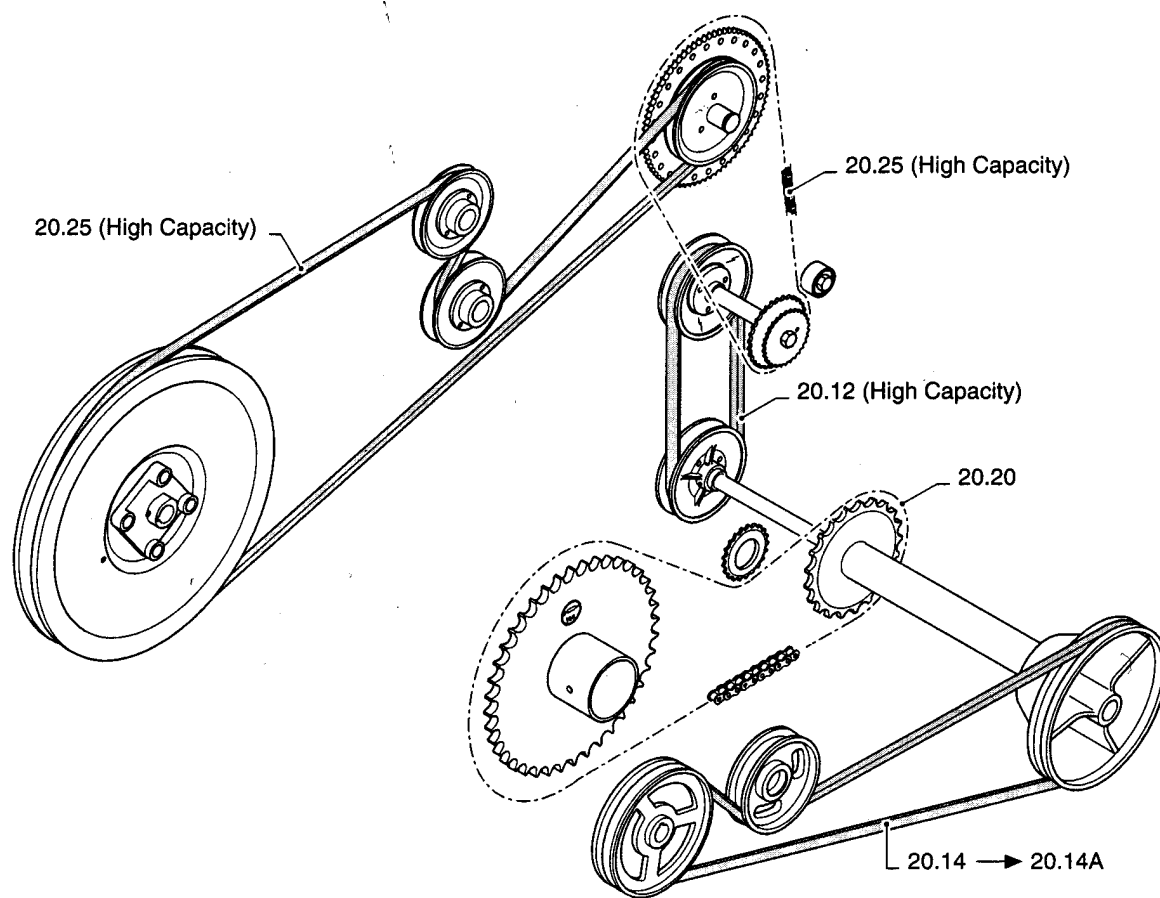
HIGH-CAPACITY GRAIN HEADER (1/02- )

0.0038(01) IDENTIFICATION PLATES

сылка	Номер детали	Кол-во	Описание

MAINTENANCE PARTS  
PARTICOLARI PER LA MANUTENZIONE  
PIECES DE MAINTENANCE  
TEILE FÜR DIE INSTANDHALTUNG

PIEZAS DE MANTENIMIENTO  
PEÇAS DE MANUTENÇÃO  
VEDLIGEHOULDELSESEDELE  
ONDERDELEN VOOR ONDERHOUD



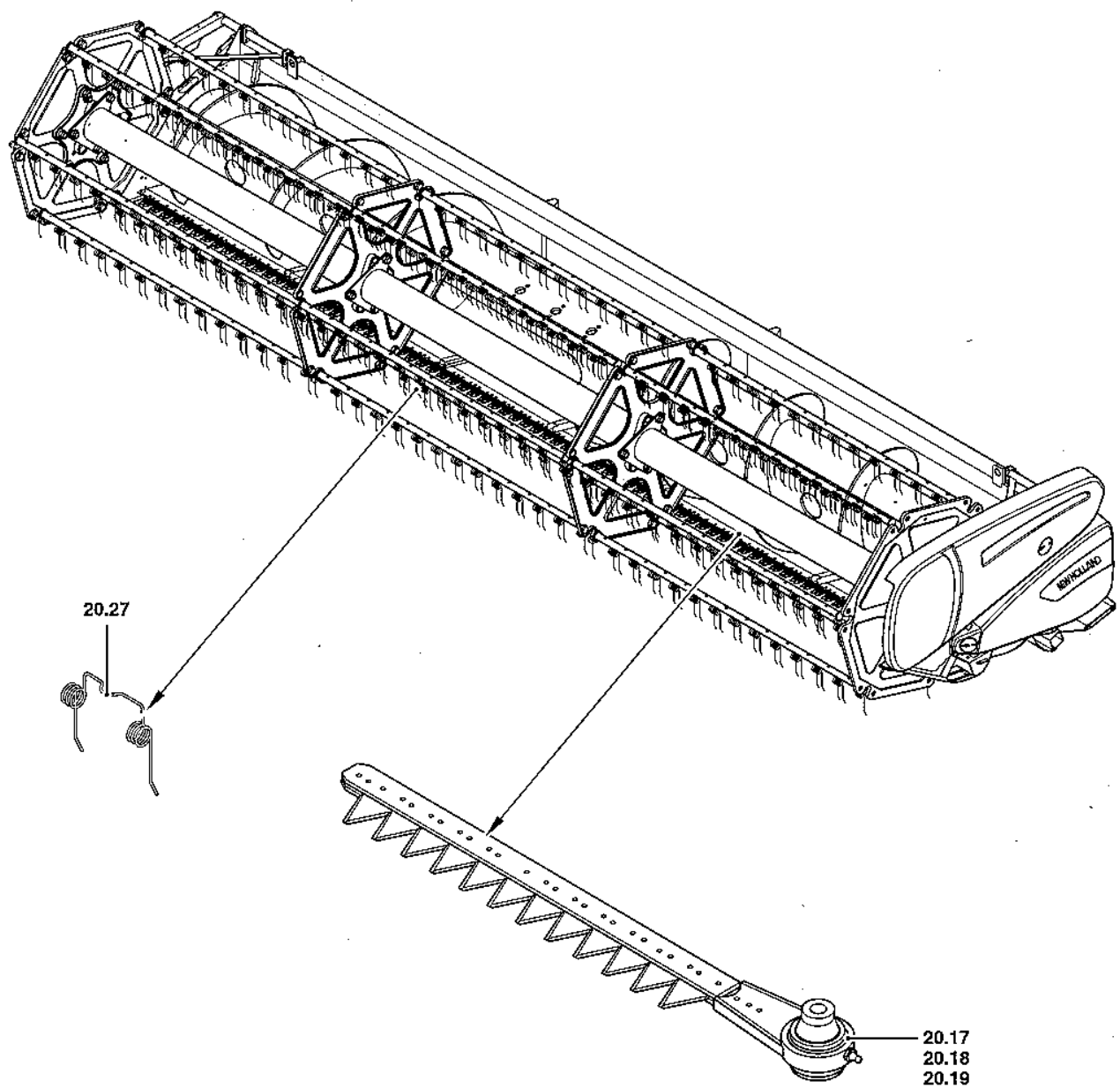
HIGH-CAPACITY GRAIN HEADER (1/02- )

0.0039(01) MAINTENANCE PARTS

сылка	Номер детали	Кол-во	Описание

MAINTENANCE PARTS  
PARTICOLARI PER LA MANUTENZIONE  
PIECES DE MAINTENANCE  
TEILE FÜR DIE INSTANDHALTUNG

PIEZAS DE MANTENIMIENTO  
PEÇAS DE MANUTENÇÃO  
VEDLIGEHOULDESEDELE  
ONDERDELEN VOOR ONDERHOUD





CODE TABLE  
 TABELLA CODICI  
 TABLE DES CODES  
 KODETABELLE

TABLA DE CÓDIGOS  
 TABELA DE CÓDIGOS  
 KODESKEMA  
 CODETABEL

### Rules for modification codes

Identify the 3 mid digits (=SERIES) of the serial number of your machine. Eg.: 173102032

Modification codes begin with:

C for a part number valid UNTIL series ...,

F for a part number valid FROM series ... UNTIL series ...,

D for a part number valid FROM series ... ONWARDS.

Example:

C092: part number valid until series 092

F093109: part number valid between series 093 and 109

D110: part number valid from series 110 onwards

If your machine has serial number 173102032, choose the second part number in our example since 102 is between 093 and 109.

CODE	WWHEAD -- =width
C619	--3001001 to --3619999
C630	--3001001 to --3630999
C649	--3001001 to --3649999
D620	--3620001
D631	--3631001
D650	--3650001



**ACCESSORIES**

**ACCESSOIRES**

**ACCESORIOS**

**TILBEHØR**

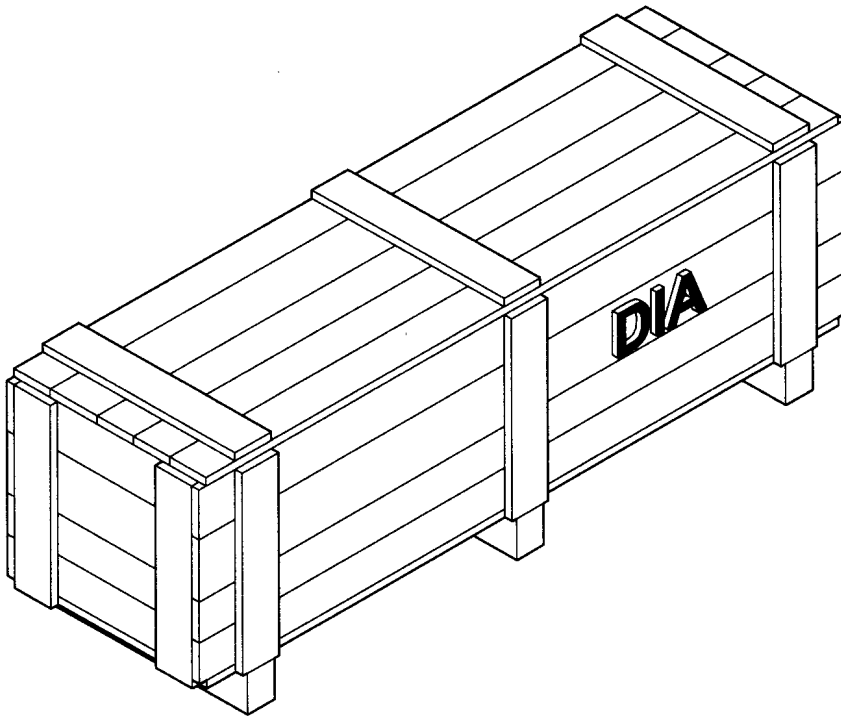
**ACCESSORI**

**ZUBEHÖR**

**ACESSORIOS**

**TOEBEHOREN**

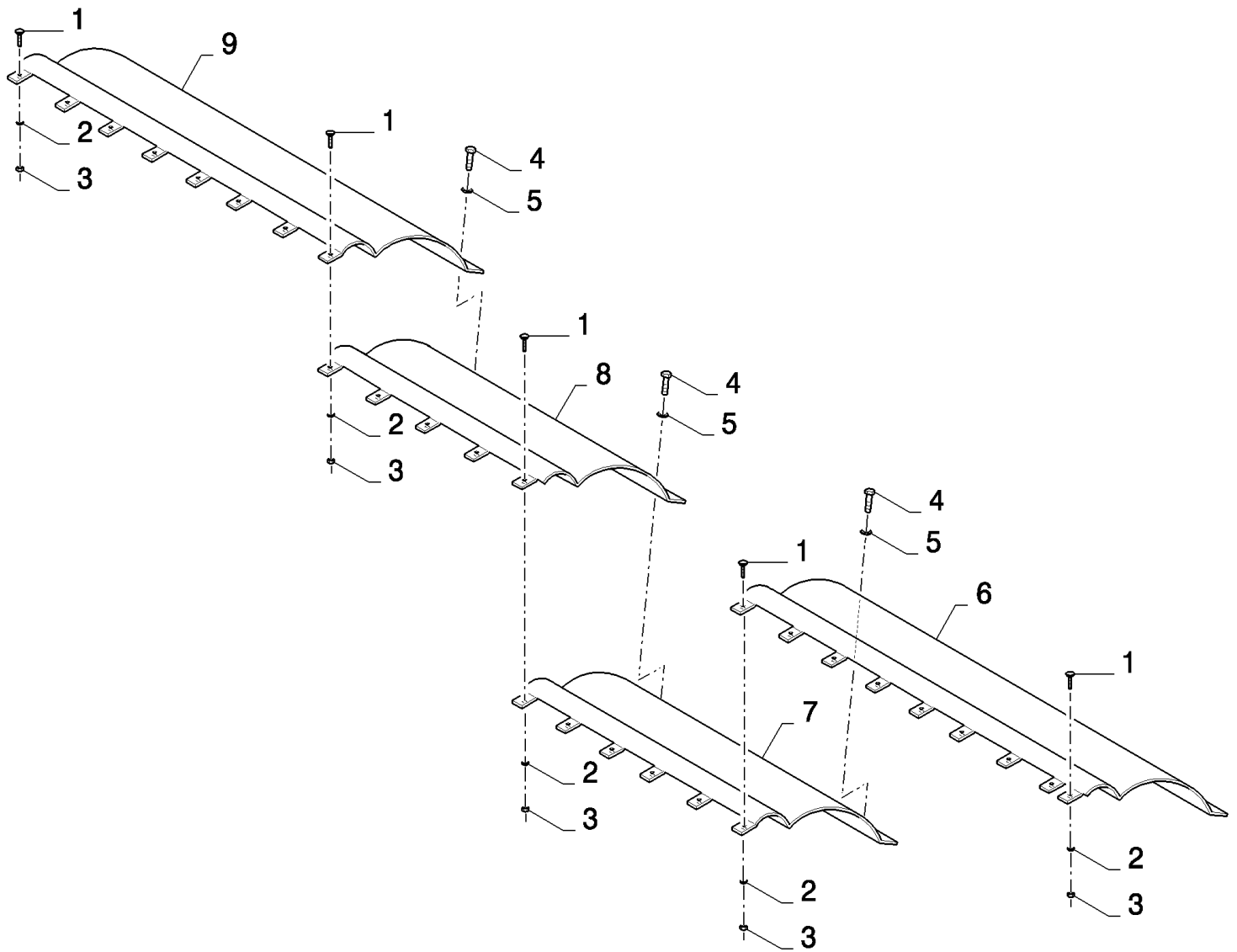
**SEC. 18**



HIGH-CAPACITY GRAIN HEADER (1/02- )

18.000(01) SECTION LIST 18

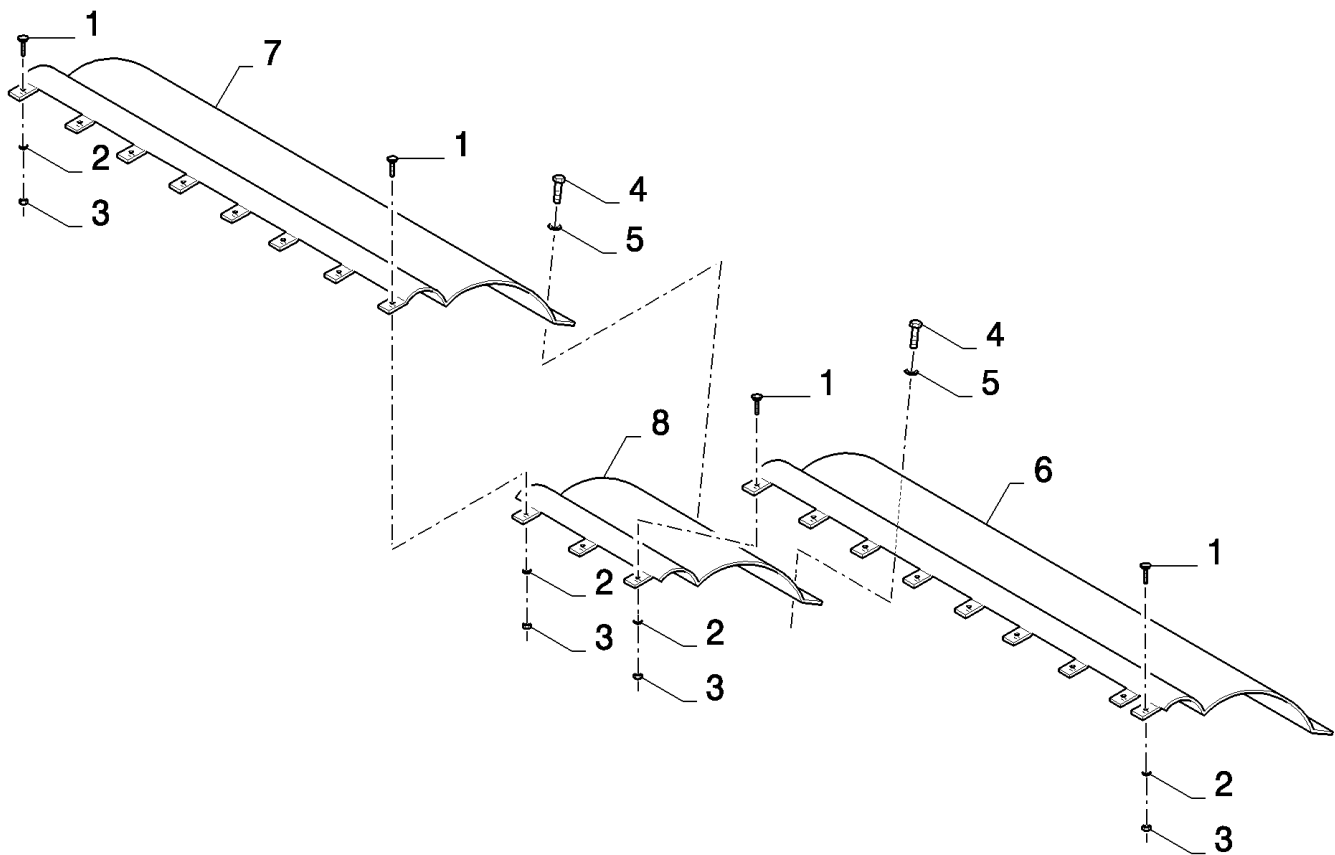
сылка	Номер детали	Кол-во	Описание



## HIGH-CAPACITY GRAIN HEADER (1/02- )

## 18.80741930(01) FEEDING PLATE

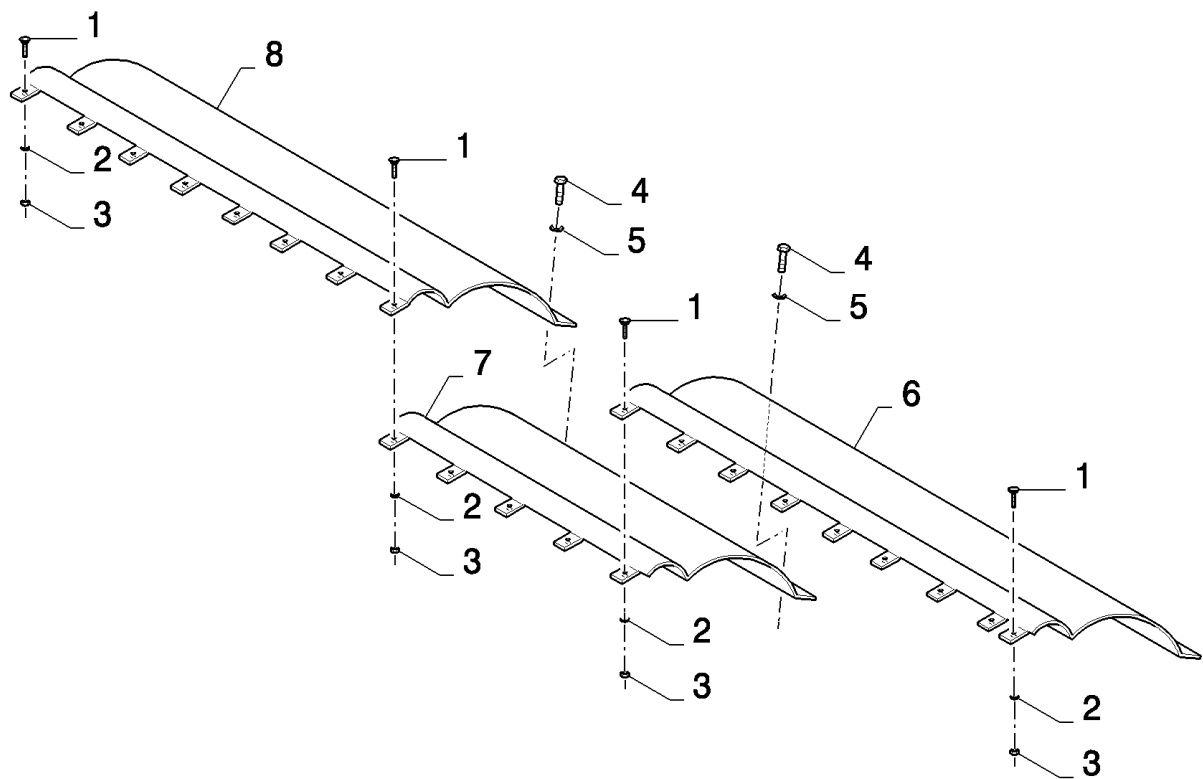
сылка	Номер детали	Кол-во	Описание
	80741930	1	DIA KIT, HARVESTER,
1	86507486	25	BOLT, CARRIAGE, Short NK, M8 x 20, CI8.8, Full Thd,
2	322358	25	WASHER, SPRING, Belleville, M8,
3	9706690	25	NUT, M8, CI 8,
4	412684	26	SCREW, M6x13
5	140015	26	WASHER, 6MM
6	80740661	1	PLATE,
7	80740663	1	PLATE,
8	80740665	1	PLATE,
9	80740662	1	PLATE,



## HIGH-CAPACITY GRAIN HEADER (1/02- )

## 18.80742035(01) FEEDING PLATE

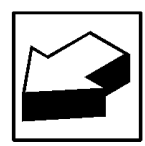
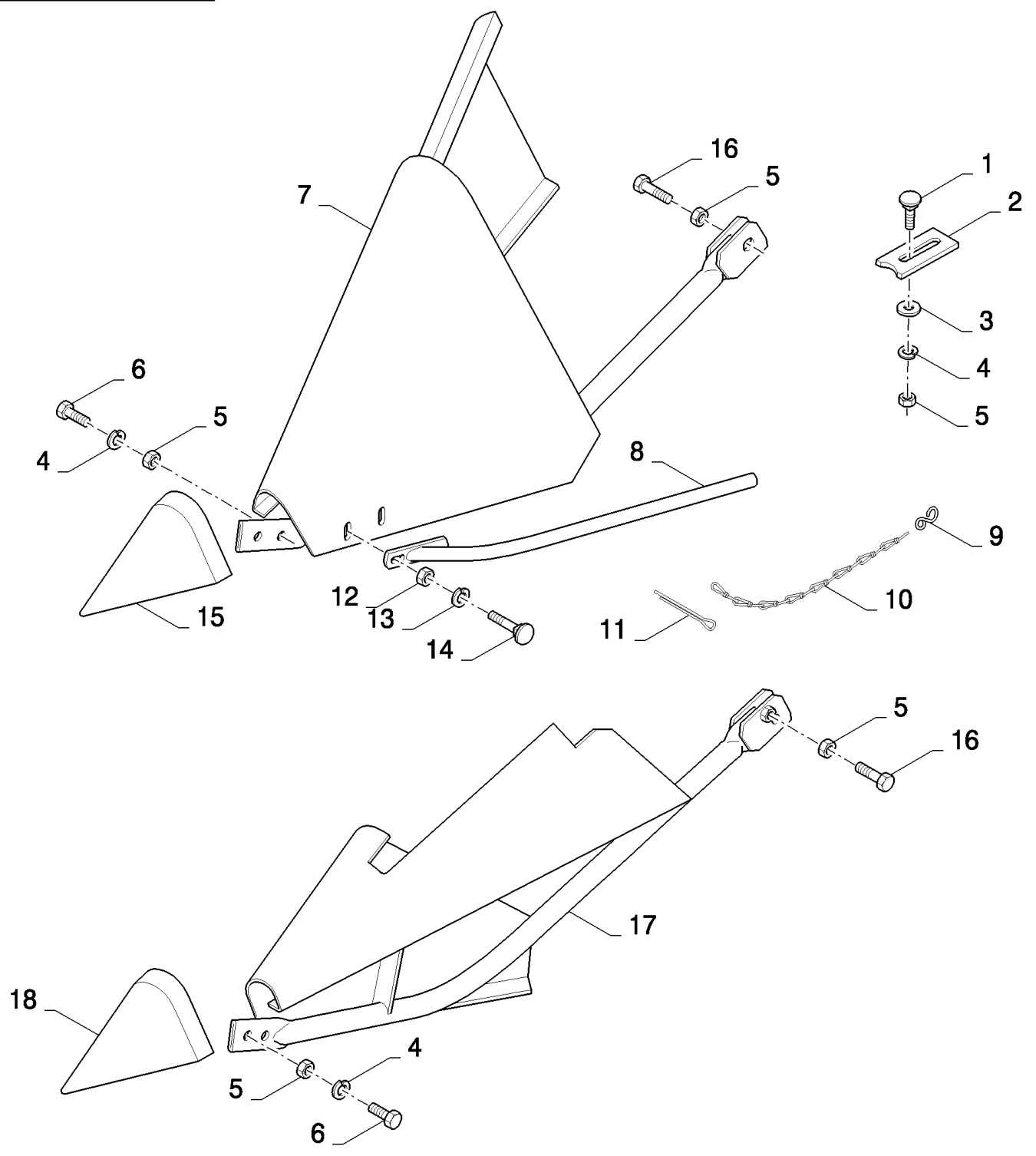
сылка	Номер детали	Кол-во	Описание
	80742035	1	DIA KIT, HARVESTER,
1	86507486	18	BOLT, CARRIAGE, Short NK, M8 x 20, CI8.8, Full Thd,
2	322358	18	WASHER, SPRING, Belleville, M8,
3	9706690	18	NUT, M8, CI 8,
4	412684	22	SCREW, M6x13
5	140015	22	WASHER, 6MM
6	80740661	1	PLATE,
7	80740662	1	PLATE,
8	80740664	1	PLATE,



## HIGH-CAPACITY GRAIN HEADER (1/02- )

## 18.80742036(01) FEEDING PLATE

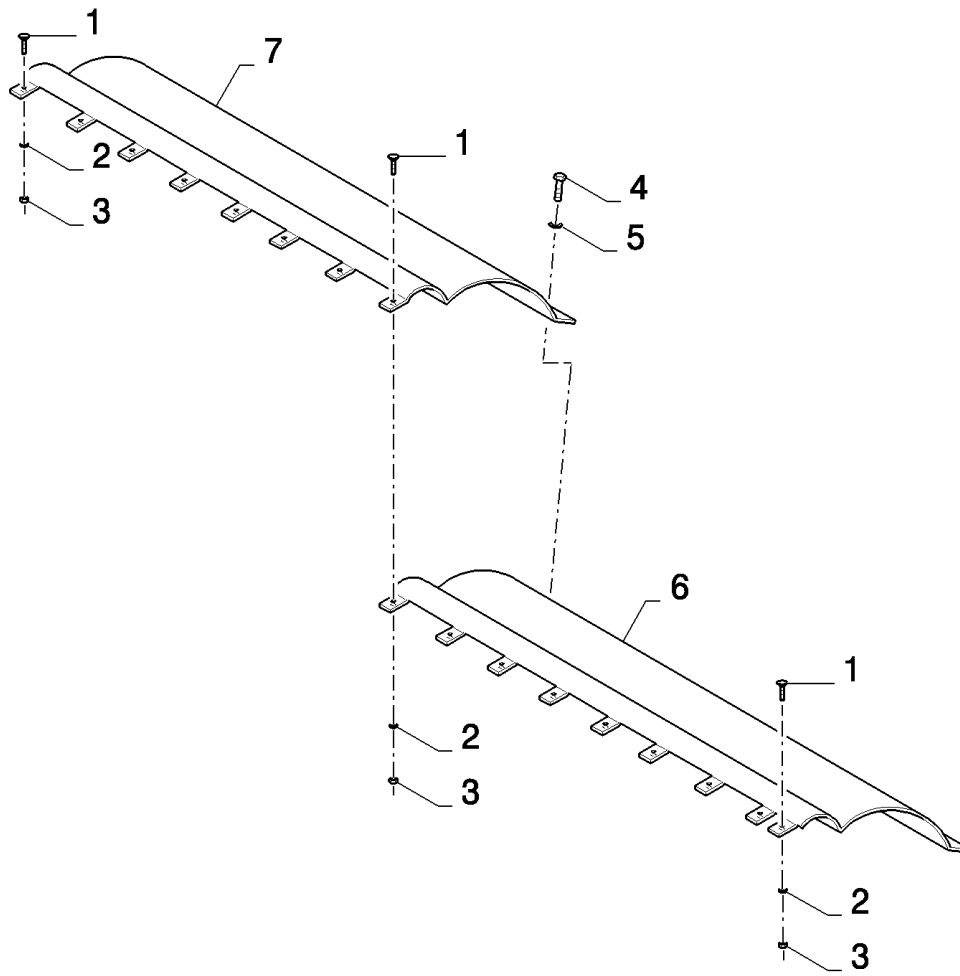
сылка	Номер детали	Кол-во	Описание
	80742036	1	DIA KIT, HARVESTER,
1	86507486	21	BOLT, CARRIAGE, Short NK, M8 x 20, CI8.8, Full Thd,
2	322358	21	WASHER, SPRING, Belleville, M8,
3	9706690	21	NUT, M8, CI 8,
4	412684	22	SCREW, M6x13
5	140015	22	WASHER, 6MM
6	80740661	1	PLATE,
7	80740663	1	PLATE,
8	80740662	1	PLATE,



## HIGH-CAPACITY GRAIN HEADER (1/02- )

## 18.80742045(01) SHORT DIVIDERS

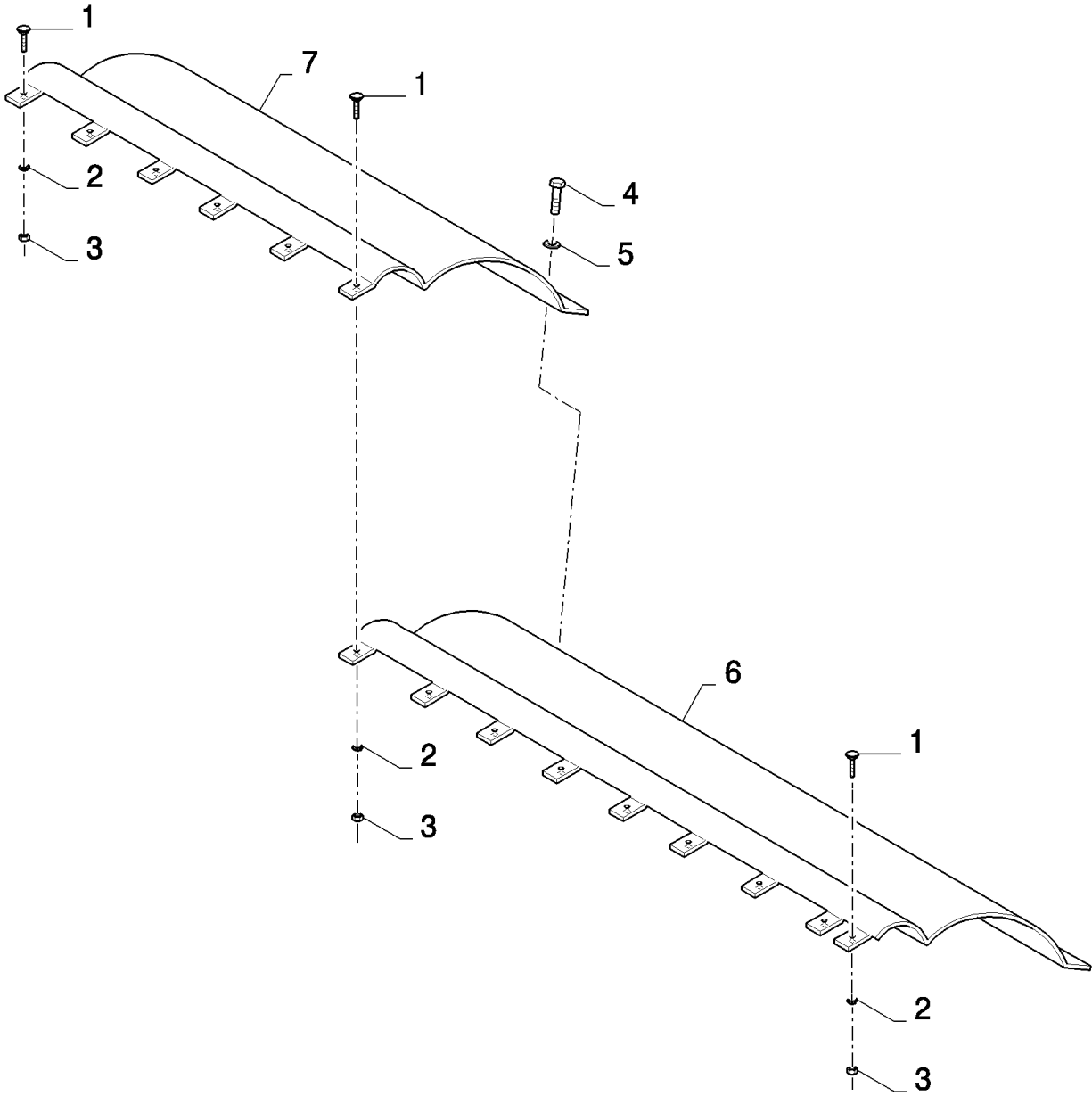
сылка	Номер детали	Кол-во	Описание
	80742045	1	SHORT DIVIDERS,
1	338949	2	BOLT, CARRIAGE, Short NK, M10 x 25, CI8.8, Full Thd,
2	916898	2	PLATE, ADJUSTING,
3	140042	2	WASHER, M10 x 34 x 3,
4	140045	6	WASHER, SPRING, Belleville, M10,
5	100016	8	NUT, M10, CI 8,
6	43139	4	SCREW, Hex, M10 x 25, 8.8, Full Thd, M10x25
7	922441	1	DIVIDER, RH
8	356755	1	GUIDE,
9	323239	2	HOOK,
10	230109	2	CHAIN,
11	130007	2	PIN, SPLIT (COTTER), M4 x 25,
12	89706690	2	NUT, M8, CI 8,
13	322358	2	WASHER, SPRING, Belleville, M8,
14	308761	2	BOLT, CARRIAGE, Short NK, M8 x 25, CI8.8, Full Thd,
15	331975	1	DIVIDER POINT, RH
16	43140	2	BOLT, Hex, M10 x 30, 8.8, Full Thd,
17	922440	1	DIVIDER, LH
18	335586	1	DIVIDER POINT, RH



## HIGH-CAPACITY GRAIN HEADER (1/02- )

## 18.80742415(01) FEEDING PLATE

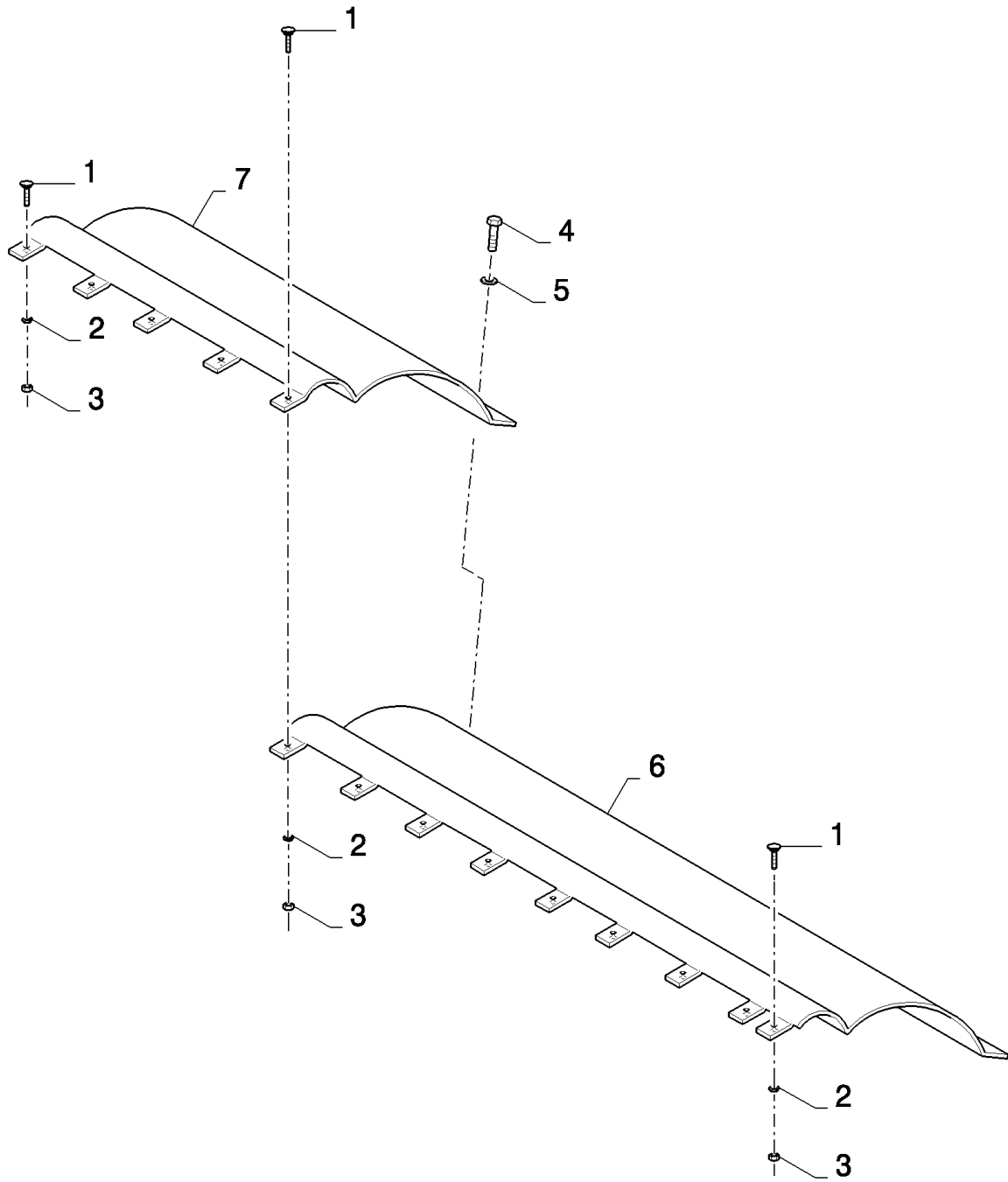
сылка	Номер детали	Кол-во	Описание
	80742415	1	DIA KIT, HARVESTER,
1	86507486	16	BOLT, CARRIAGE, Short NK, M8 x 20, CI8.8, Full Thd,
2	322358	16	WASHER, SPRING, Belleville, M8,
3	9706690	16	NUT, M8, CI 8,
4	412684	17	SCREW, M6x13
5	140015	17	WASHER, 6MM
6	80740661	1	PLATE,
7	80740662	1	PLATE,



## HIGH-CAPACITY GRAIN HEADER (1/02- )

## 18.80742416(01) FEEDING PLATE

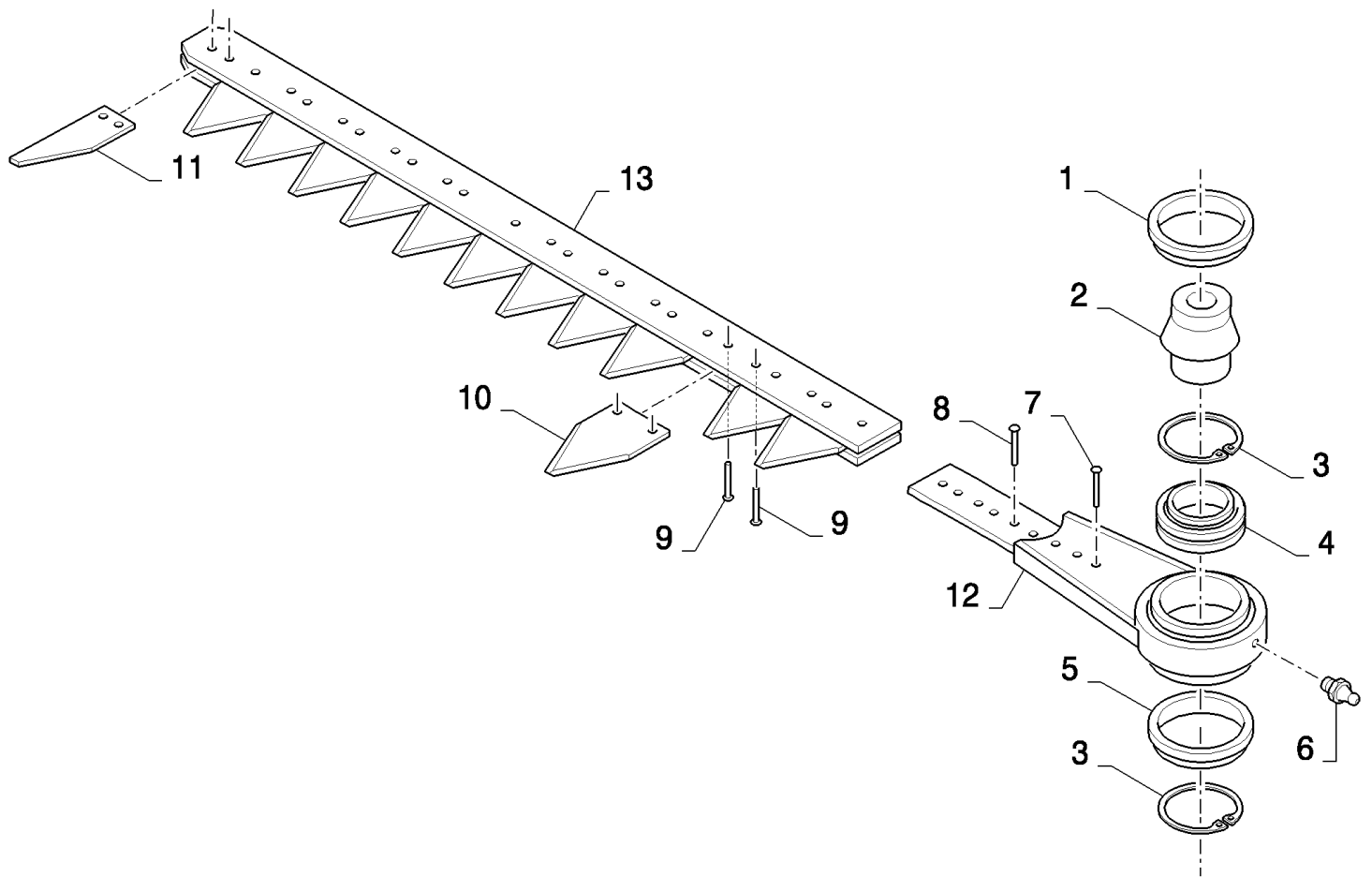
сылка	Номер детали	Кол-во	Описание
	80742416	1	DIA KIT, HARVESTER,
1	86507486	14	BOLT, CARRIAGE, Short NK, M8 x 20, CI8.8, Full Thd,
2	322358	14	WASHER, SPRING, Belleville, M8,
3	9706690	14	NUT, M8, CI 8,
4	412684	15	SCREW, M6x13
5	140015	15	WASHER, 6MM
6	80740661	1	PLATE,
7	80740663	1	PLATE,



## HIGH-CAPACITY GRAIN HEADER (1/02- )

## 18.80742417(01) FEEDING PLATE

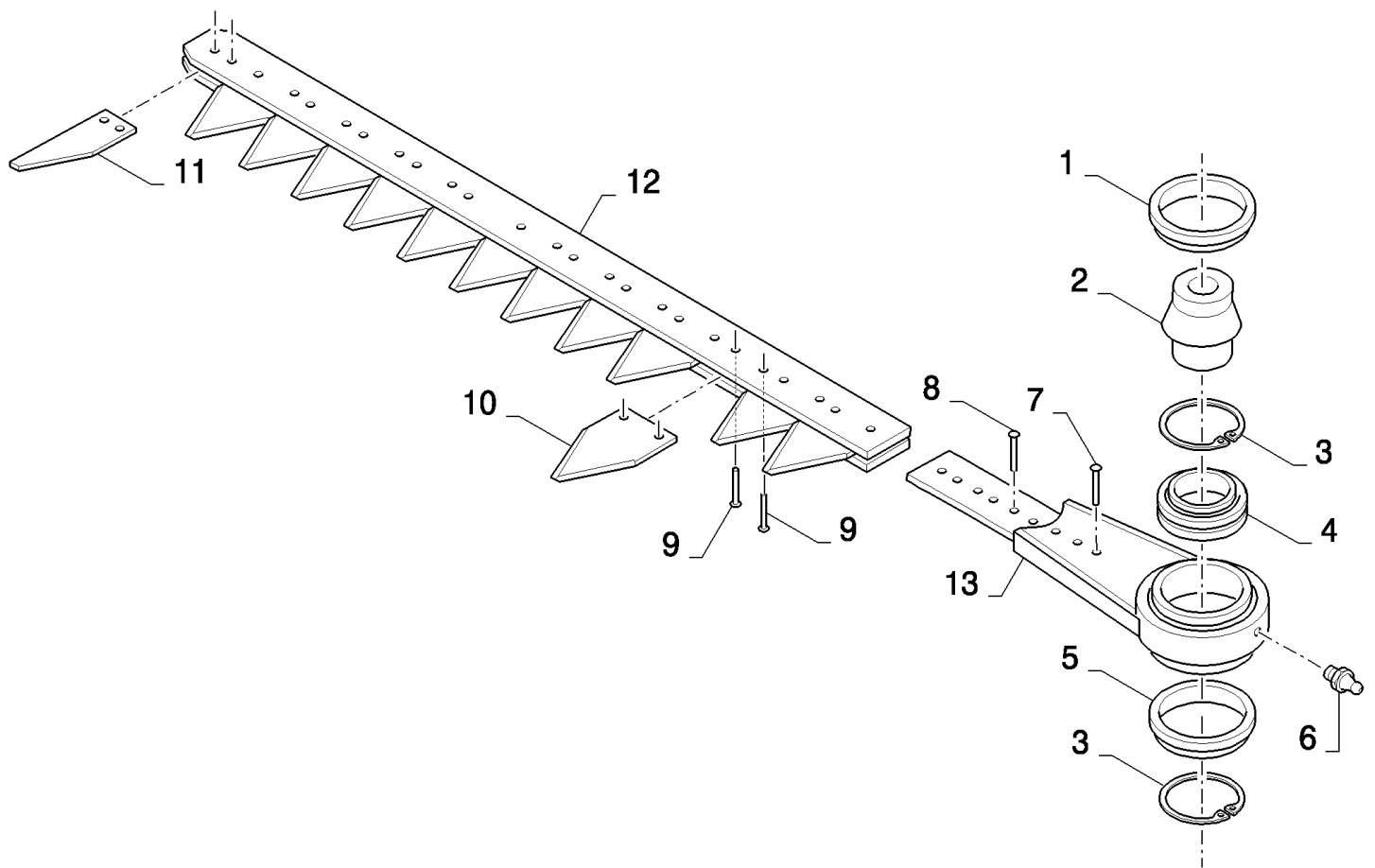
сылка	Номер детали	Кол-во	Описание
	80742417	1	DIA KIT, HARVESTER,
1	86507486	13	BOLT, CARRIAGE, Short NK, M8 x 20, CI8.8, Full Thd,
2	322358	13	WASHER, SPRING, Belleville, M8,
3	9706690	13	NUT, M8, CI 8,
4	412684	14	SCREW, M6x13
5	140015	14	WASHER, 6MM
6	80740661	1	PLATE,
7	80740665	1	PLATE,



## HIGH-CAPACITY GRAIN HEADER (1/02- )

## 18.80918014(01) UNDERSERRATED KNIFE

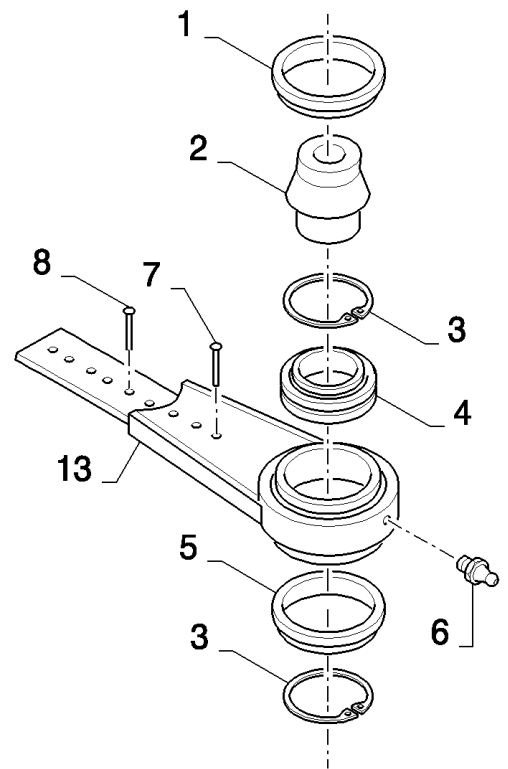
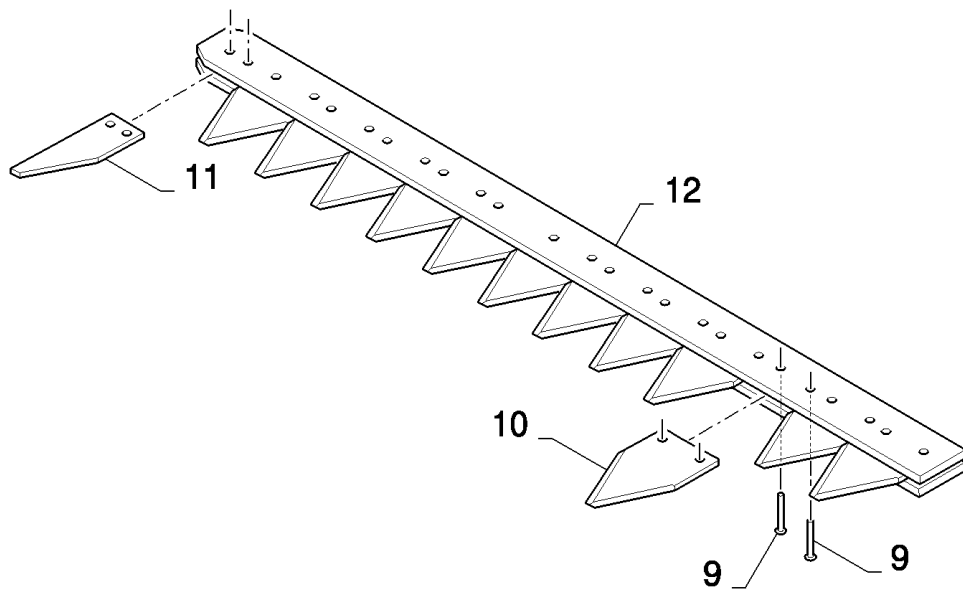
сылка	Номер детали	Кол-во	Описание
	80918014	1	DIA KIT, HARVESTER,
1	80758561	1	RING,
2	80916806	1	SHAFT,
3	80758565	2	CIRCLIP,
4	80758563	1	BEARING ASSY,
5	80758559	1	COVER,
6	321204	1	NIPPLE, LUBE, M6 x 1, 16mm lg,
7	80130436	3	RIVET,
8	65474	6	RIVET,
9	46436	153	RIVET,
10	365111	80	KNIFE SECTION,
11	365112	1	KNIFE SECTION,
12	84437437	1	
13	395883	1	
	401159	0,005	Loctite



## HIGH-CAPACITY GRAIN HEADER (1/02- )

## 18.80918015(01) UNDERSERRATED KNIFE

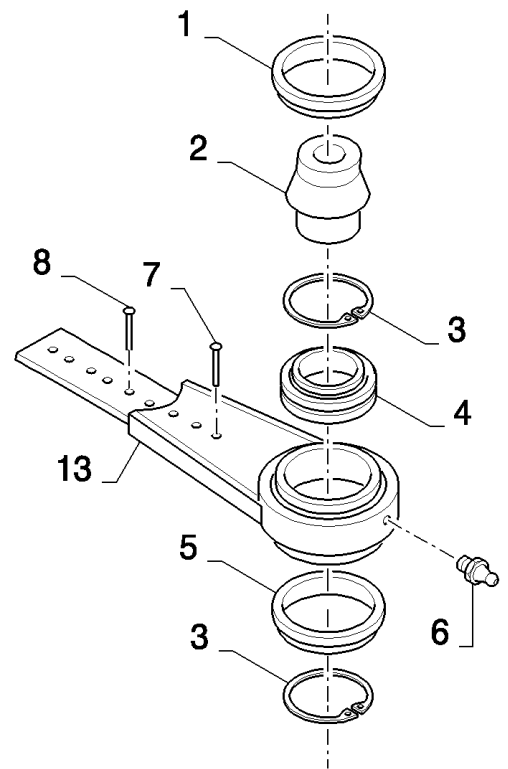
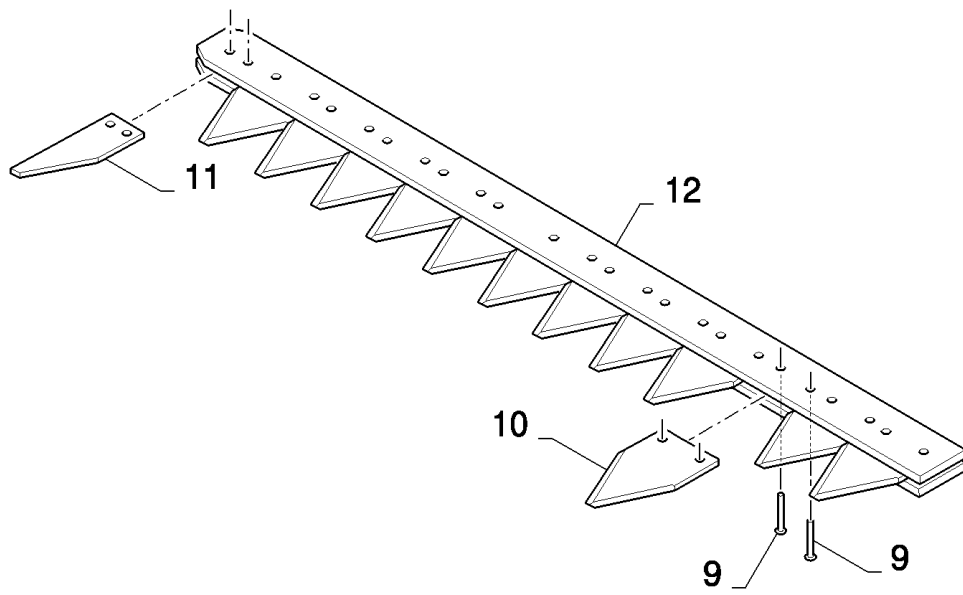
сылка	Номер детали	Кол-во	Описание
	80918015	1	DIA KIT, HARVESTER,
1	80758561	1	RING,
2	80916806	1	SHAFT,
3	80758565	2	CIRCLIP,
4	758563	1	BEARING ASSY,
5	80758559	1	COVER,
6	321204	1	NIPPLE, LUBE, M6 x 1, 16mm lg,
7	130436	3	RIVET,
8	65474	6	RIVET,
9	46436	185	RIVET,
10	365111	96	KNIFE SECTION,
11	365112	1	KNIFE SECTION,
12	913803	1	
13	84437437	1	
	401159	0,005	Loctite



## HIGH-CAPACITY GRAIN HEADER (1/02- )

## 18.84003217(01) UNDERSERRATED KNIFE

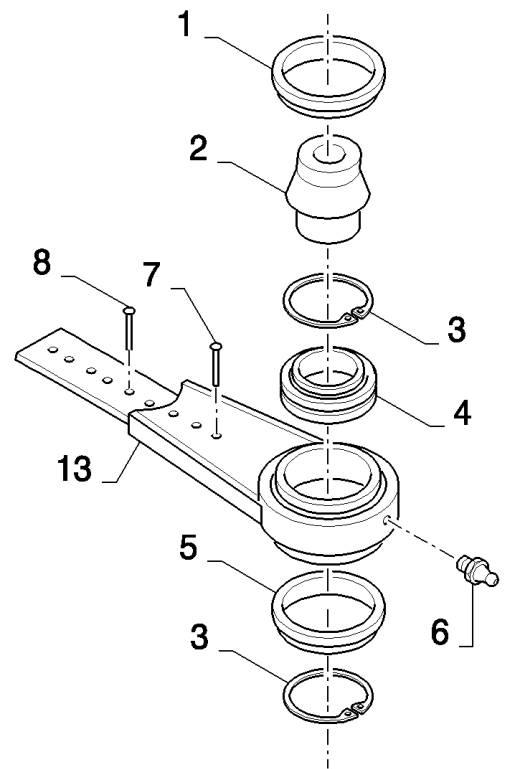
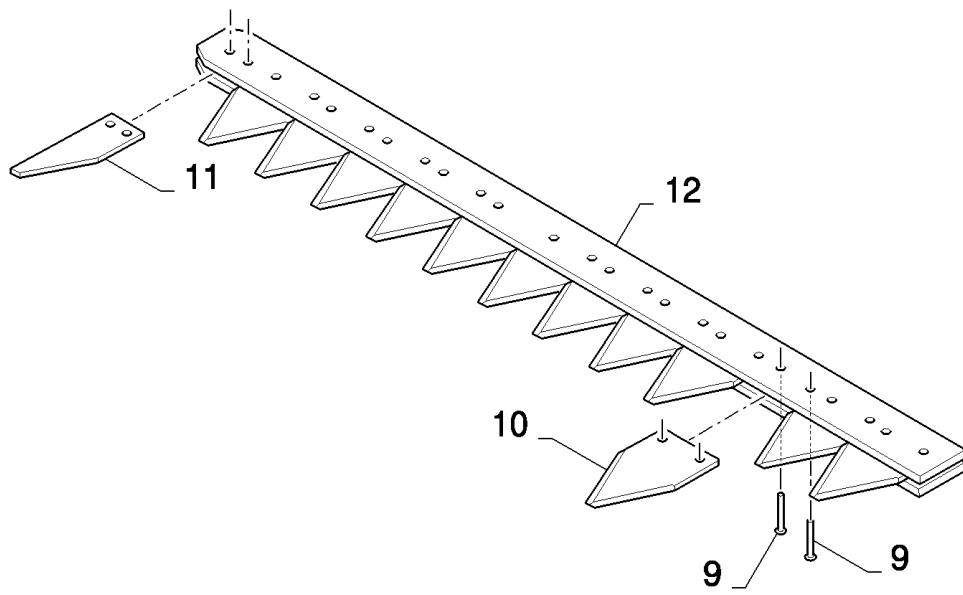
сылка	Номер детали	Кол-во	Описание
	84003217	1	DIA KIT, HARVESTER,
1	80758561	1	RING,
2	80916806	1	SHAFT,
3	80758565	2	CIRCLIP,
4	758563	1	BEARING ASSY,
5	80758559	1	COVER,
6	321204	1	NIPPLE, LUBE, M6 x 1, 16mm lg,
7	130436	3	RIVET,
8	65474	6	RIVET,
9	46436	129	RIVET,
10	365111	68	KNIFE SECTION,
11	365112	1	KNIFE SECTION,
12	350474	1	
13	84437437	1	
	401159	0,005	Loctite



## HIGH-CAPACITY GRAIN HEADER (1/02- )

## 18.84003218(01) UNDERSERRATED KNIFE

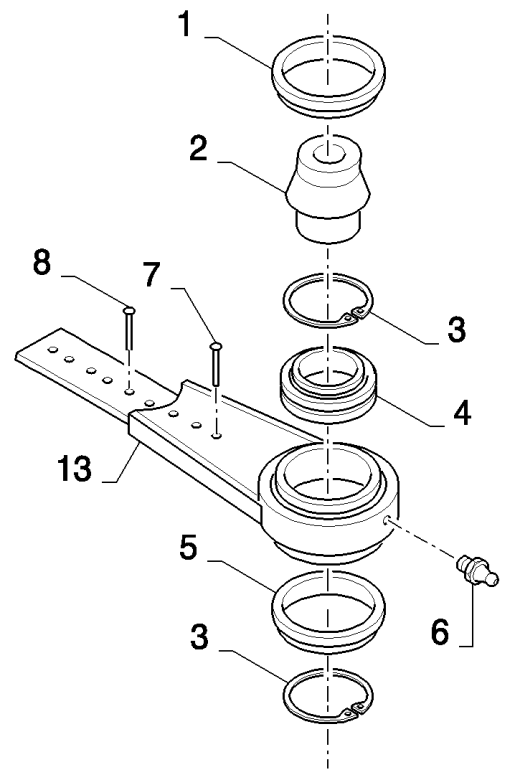
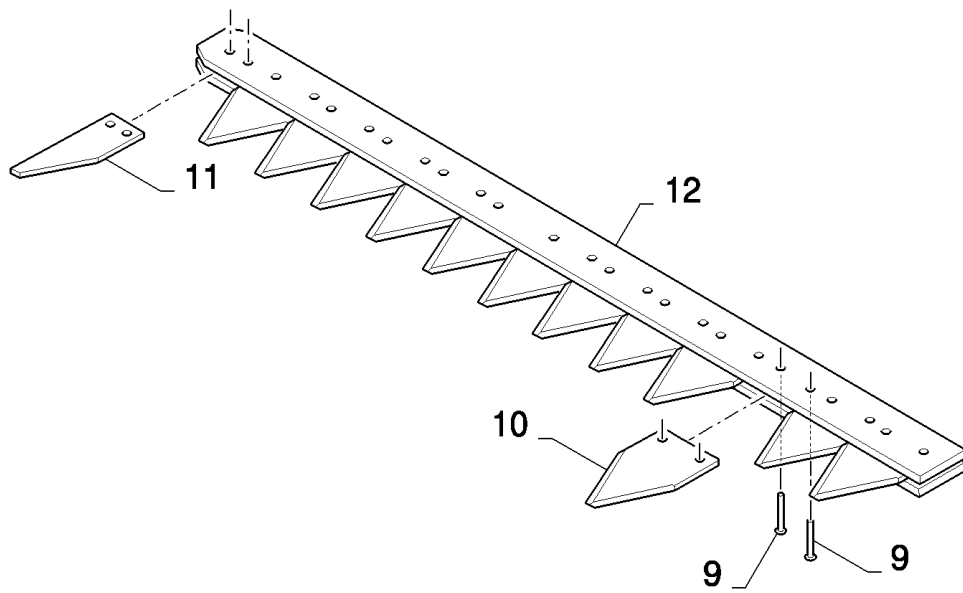
сылка	Номер детали	Кол-во	Описание
	84003218	1	DIA KIT, HARVESTER,
1	80758561	1	RING,
2	80916806	1	SHAFT,
3	80758565	2	CIRCLIP,
4	758563	1	BEARING ASSY,
5	80758559	1	COVER,
6	321204	1	NIPPLE, LUBE, M6 x 1, 16mm lg,
7	130436	3	RIVET,
8	65474	6	RIVET,
9	46436	113	RIVET,
10	365111	60	KNIFE SECTION,
11	365112	1	KNIFE SECTION,
12	350473	1	
13	84437437	1	
	401159	0,005	Loctite



## HIGH-CAPACITY GRAIN HEADER (1/02- )

## 18.84003219(01) UNDERSERRATED KNIFE

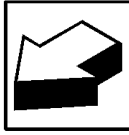
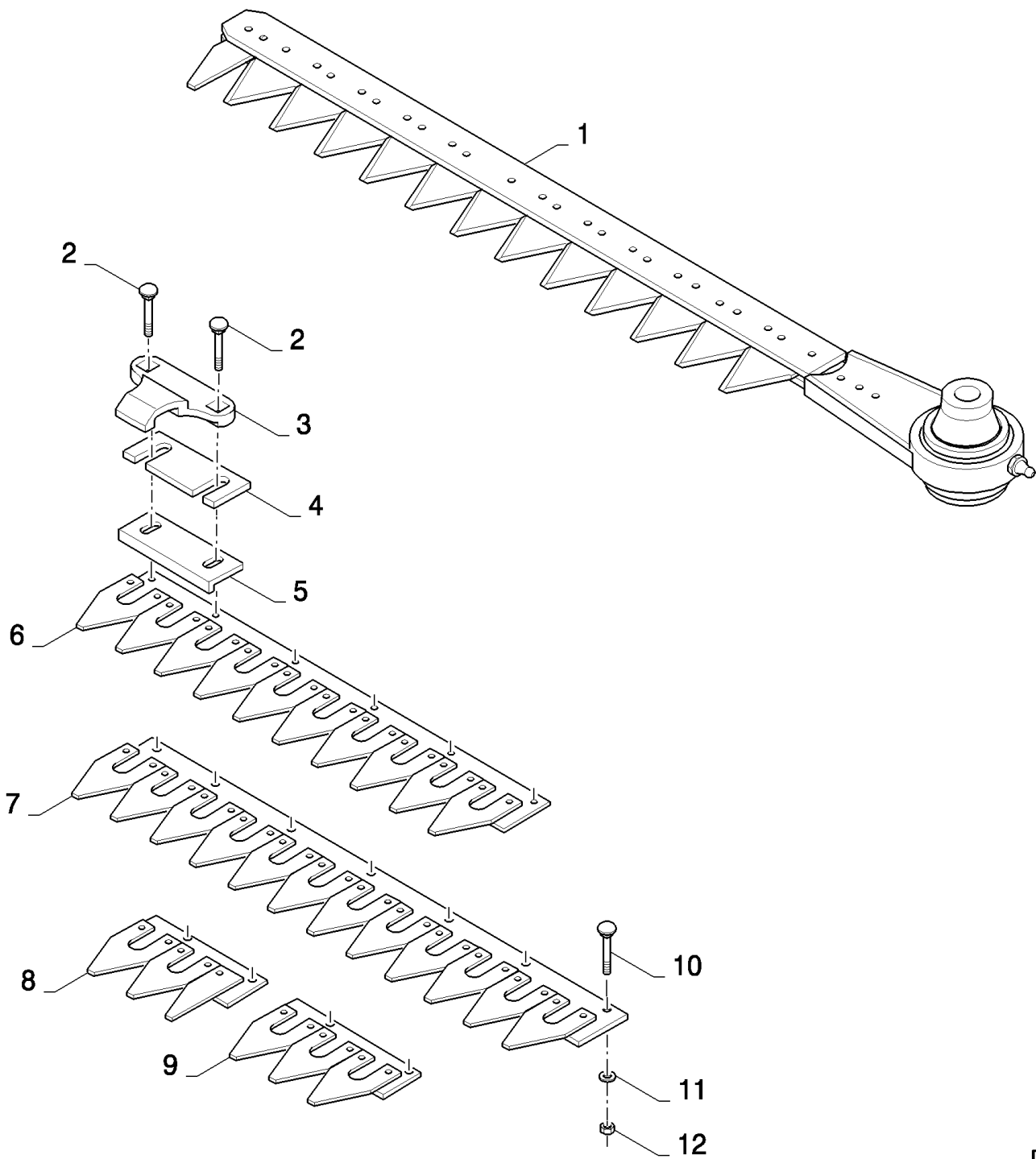
сылка	Номер детали	Кол-во	Описание
	84003219	1	DIA KIT, HARVESTER,
1	80758561	1	RING,
2	80916806	1	SHAFT,
3	80758565	2	CIRCLIP,
4	758563	1	BEARING ASSY,
5	80758559	1	COVER,
6	321204	1	NIPPLE, LUBE, M6 x 1, 16mm lg,
7	130436	3	RIVET,
8	65474	6	RIVET,
9	46436	97	RIVET,
10	365111	52	KNIFE SECTION,
11	365112	1	KNIFE SECTION,
12	350472	1	
13	84437437	1	
	401159	0,005	Loctite



## HIGH-CAPACITY GRAIN HEADER (1/02- )

## 18.84003220(01) UNDERSERRATED KNIFE

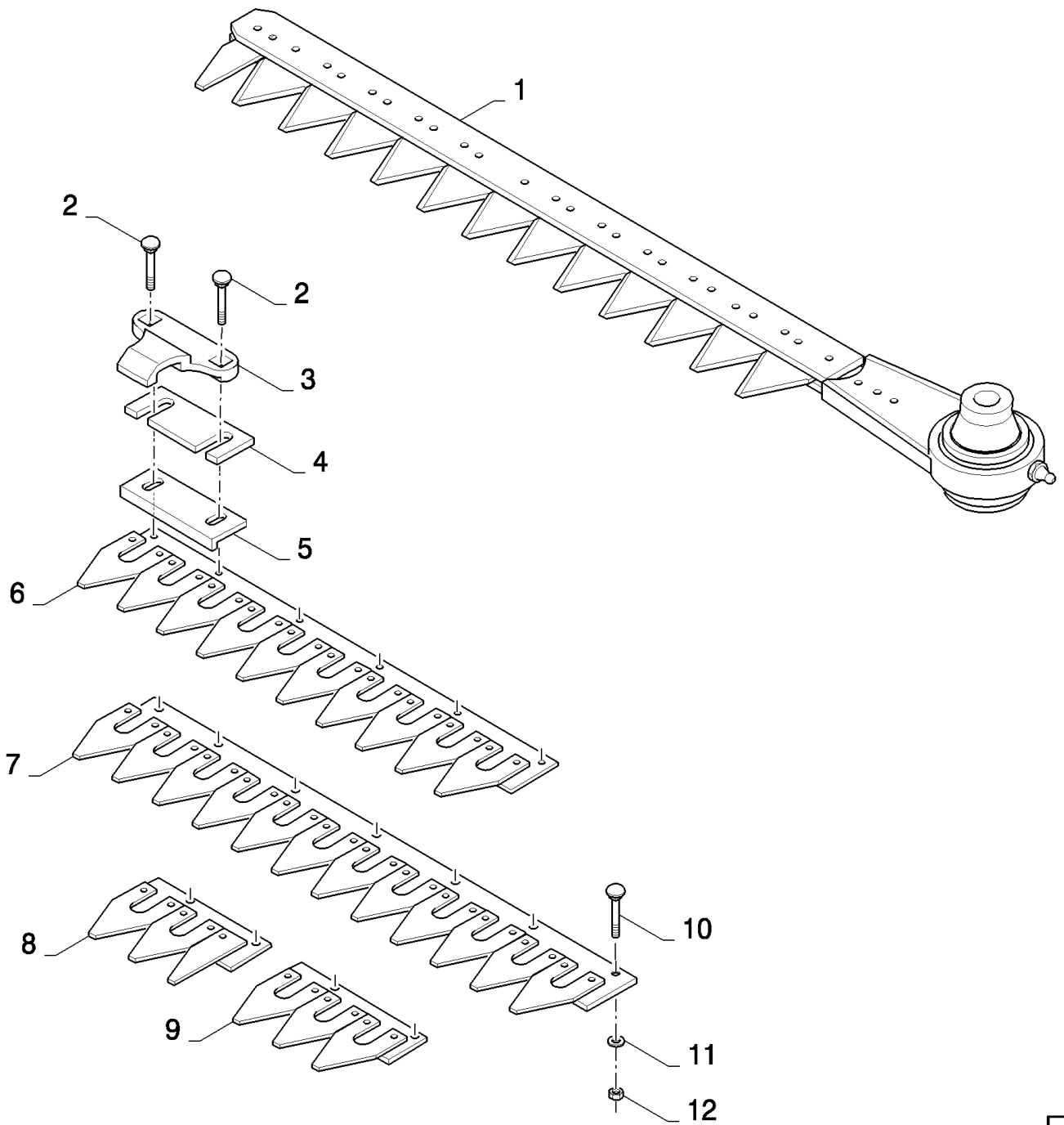
сылка	Номер детали	Кол-во	Описание
	84003220	1	CUTTING BLADE,
1	80758561	1	RING,
2	80916806	1	SHAFT,
3	80758565	2	CIRCLIP,
4	758563	1	BEARING ASSY,
5	80758559	1	COVER,
6	321204	1	NIPPLE, LUBE, M6 x 1, 16mm lg,
7	130436	3	RIVET,
8	65474	6	RIVET,
9	46436	89	RIVET,
10	365111	48	KNIFE SECTION,
11	365112	1	KNIFE SECTION,
12	350471	1	
13	84437437	1	
	401159	0,005	Loctite



## HIGH-CAPACITY GRAIN HEADER (1/02- )

## 18.84003222(01) RICE KNIFE KIT

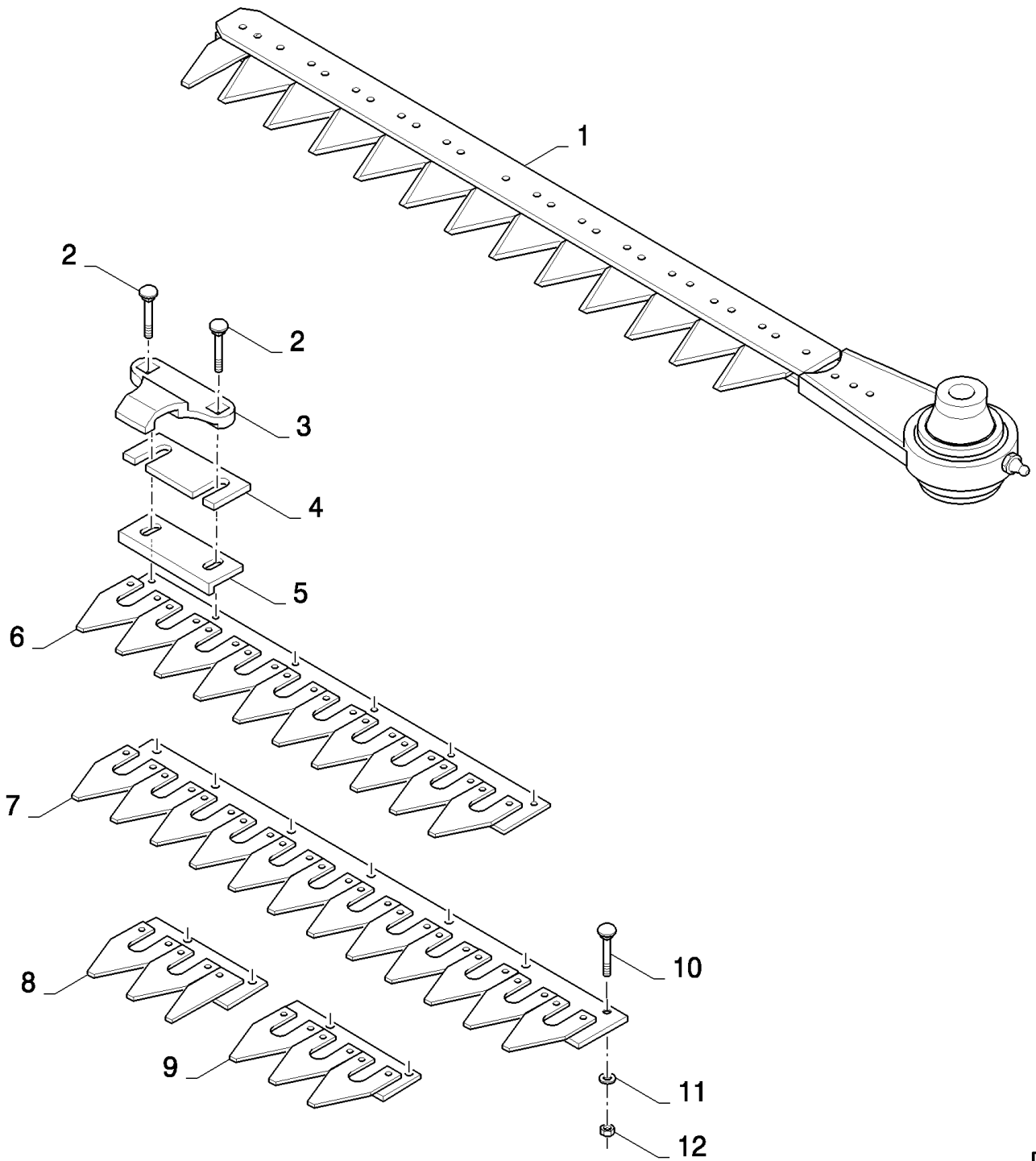
сылка	Номер детали	Кол-во	Описание
	84003222	1	DIA KIT, HARVESTER,
1	89508739	2	KNIFE,
2	374892	24	BOLT, CARRIAGE, Short NK, M10 x 40, CI8.8, Full Thd,
3	89508725	12	CLIP, KNIFE,
4	482769	24	PLATE, ADJUSTING,
5	89508727	12	GUIDE, KNIFE,
6	89508721	1	KNIFE SECTION,
7	89508718	5	KNIFE SECTION,
8	89508720	1	
9	89508719	2	KNIFE SECTION,
10	80120245	29	SCREW, M10x30
11	140045	53	WASHER, SPRING, Belleville, M10,
12	100016	53	NUT, M10, CI 8,



## HIGH-CAPACITY GRAIN HEADER (1/02- )

## 18.84003223(01) RICE KNIFE KIT

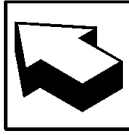
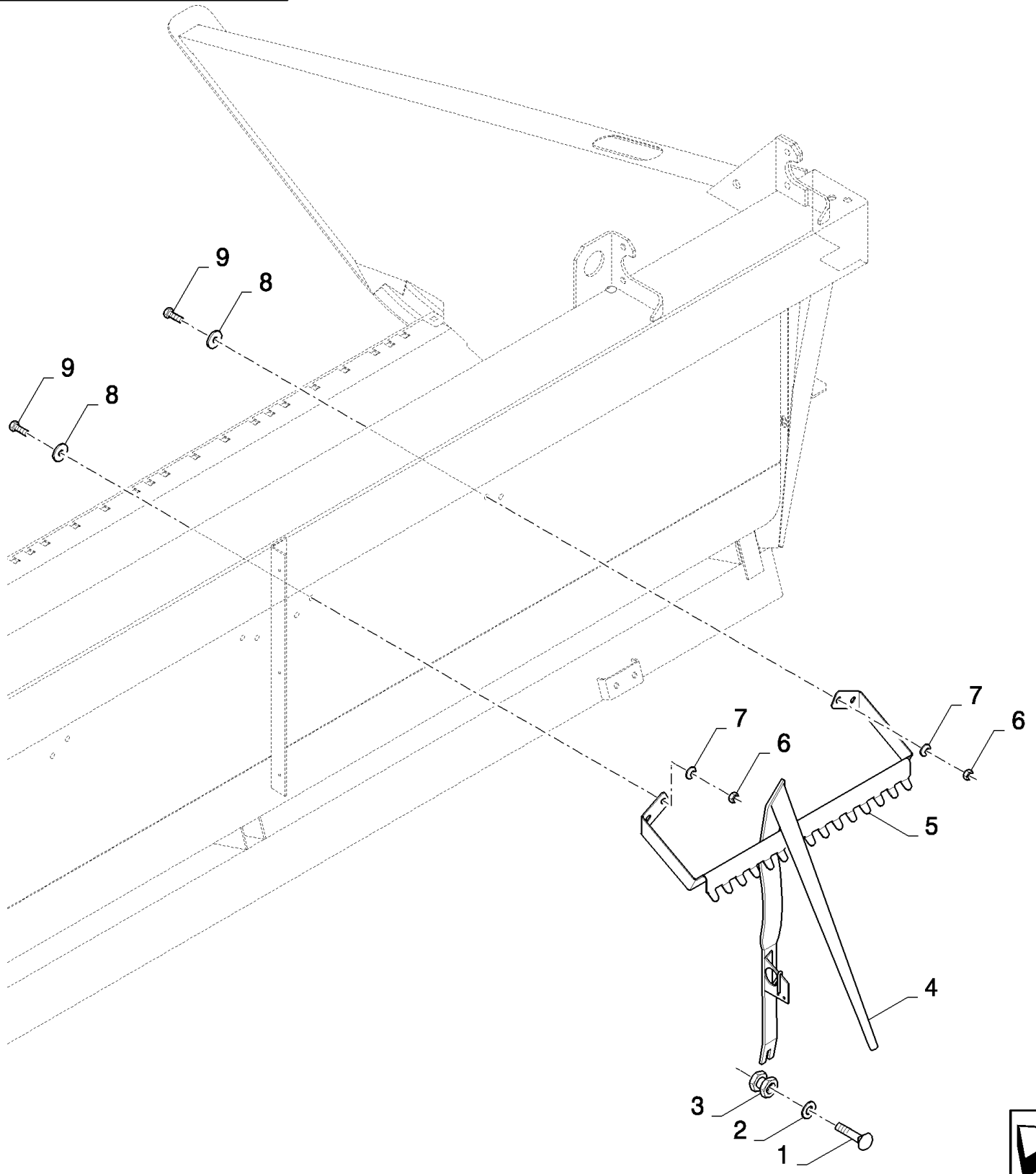
сылка	Номер детали	Кол-во	Описание
	84003223	1	DIA KIT, HARVESTER,
1	89508730	2	KNIFE,
2	374892	28	BOLT, CARRIAGE, Short NK, M10 x 40, C18.8, Full Thd,
3	89508725	14	CLIP, KNIFE,
4	482769	28	PLATE, ADJUSTING,
5	89508727	14	GUIDE, KNIFE,
6	89508721	1	KNIFE SECTION,
7	89508718	6	KNIFE SECTION,
8	89508720	1	
9	89508719	2	KNIFE SECTION,
10	86512446	33	BOLT, CARRIAGE, Short NK, M10 x 30, C18.8, Full Thd,
11	140045	61	WASHER, SPRING, Belleville, M10,
12	100016	61	NUT, M10, CI 8,



## HIGH-CAPACITY GRAIN HEADER (1/02- )

## 18.84003224(01) RICE KNIFE KIT

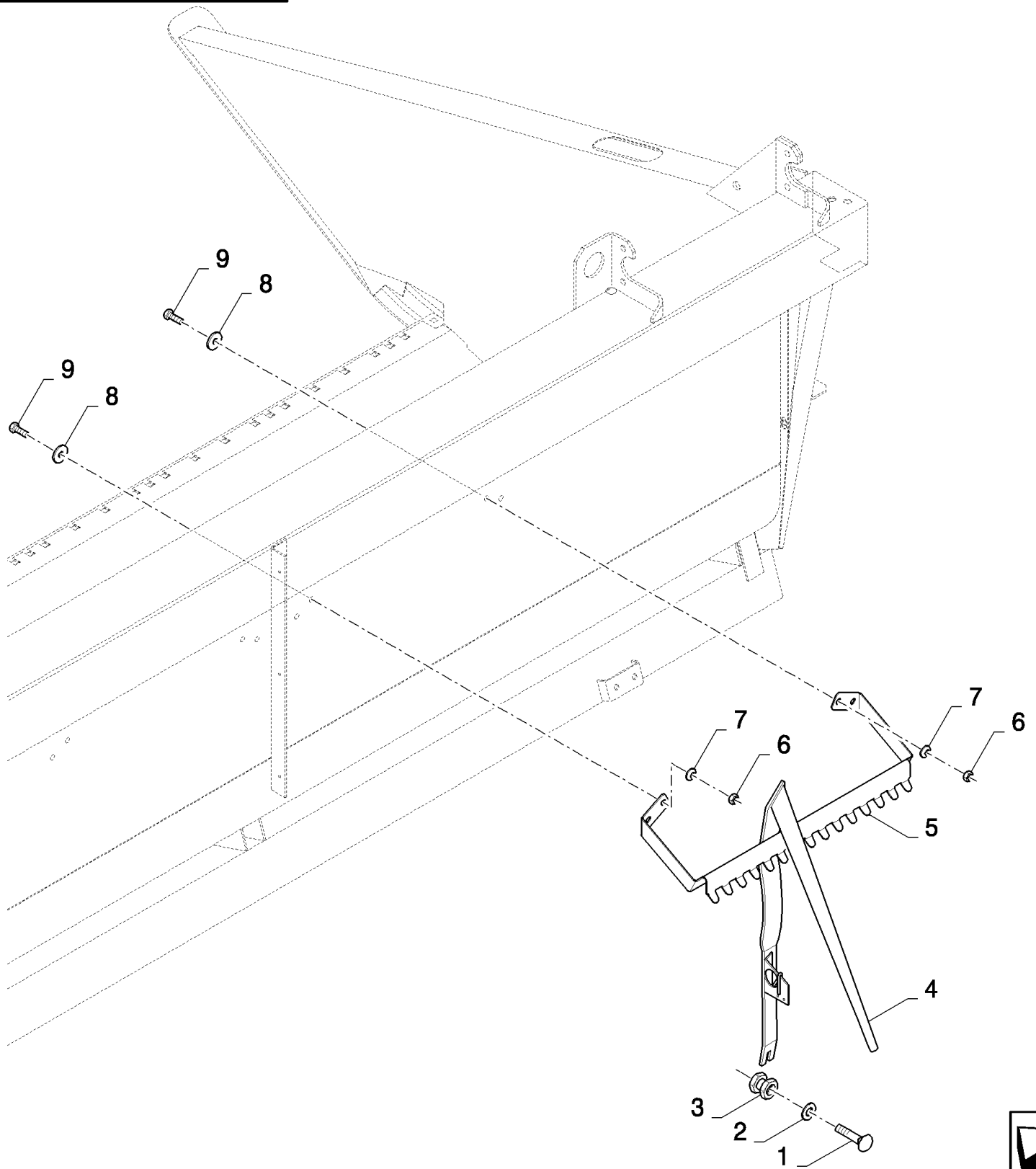
сылка	Номер детали	Кол-во	Описание
	84003224	1	DIA KIT, HARVESTER,
1	89508736	2	KNIFE,
2	374892	32	BOLT, CARRIAGE, Short NK, M10 x 40, C18.8, Full Thd,
3	89508725	16	CLIP, KNIFE,
4	482769	32	PLATE, ADJUSTING,
5	89508727	16	GUIDE, KNIFE,
6	89508721	1	KNIFE SECTION,
7	89508718	7	KNIFE SECTION,
8	89508720	1	
9	89508719	2	KNIFE SECTION,
10	86512446	37	BOLT, CARRIAGE, Short NK, M10 x 30, C18.8, Full Thd,
11	140045	69	WASHER, SPRING, Belleville, M10,
12	100016	69	NUT, M10, CI 8,



## HIGH-CAPACITY GRAIN HEADER (1/02- )

## 18.84016406(01) CROPLIFTER SET

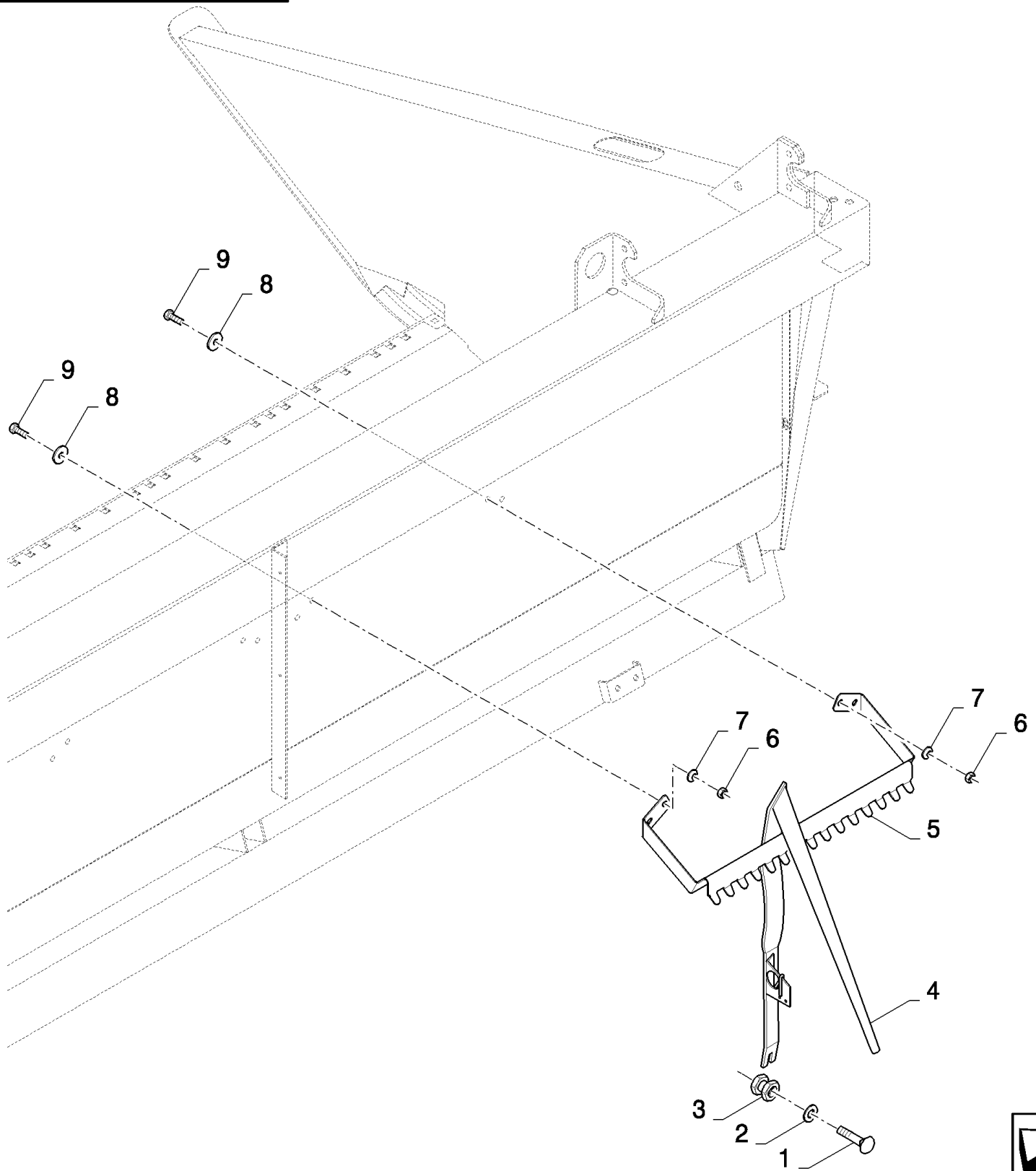
сылка	Номер детали	Кол-во	Описание
	84016406	1	DIA KIT, HARVESTER,
1	374892	11	BOLT, CARRIAGE, Short NK, M10 x 40, CI8.8, Full Thd,
2	140045	11	WASHER, SPRING, Belleville, M10,
3	89514326	11	NUT,
4	89815614	11	CROP LIFTER,
5	84437894	1	SUPPORT,
6	100016	4	NUT, M10, CI 8,
7	140045	4	WASHER, SPRING, Belleville, M10,
8	140042	4	WASHER, M10 x 34 x 3,
9	43138	4	SCREW, Hex, M10 x 20, 8.8, Full Thd,



## HIGH-CAPACITY GRAIN HEADER (1/02- )

## 18.84016407(01) CROPLIFTER SET

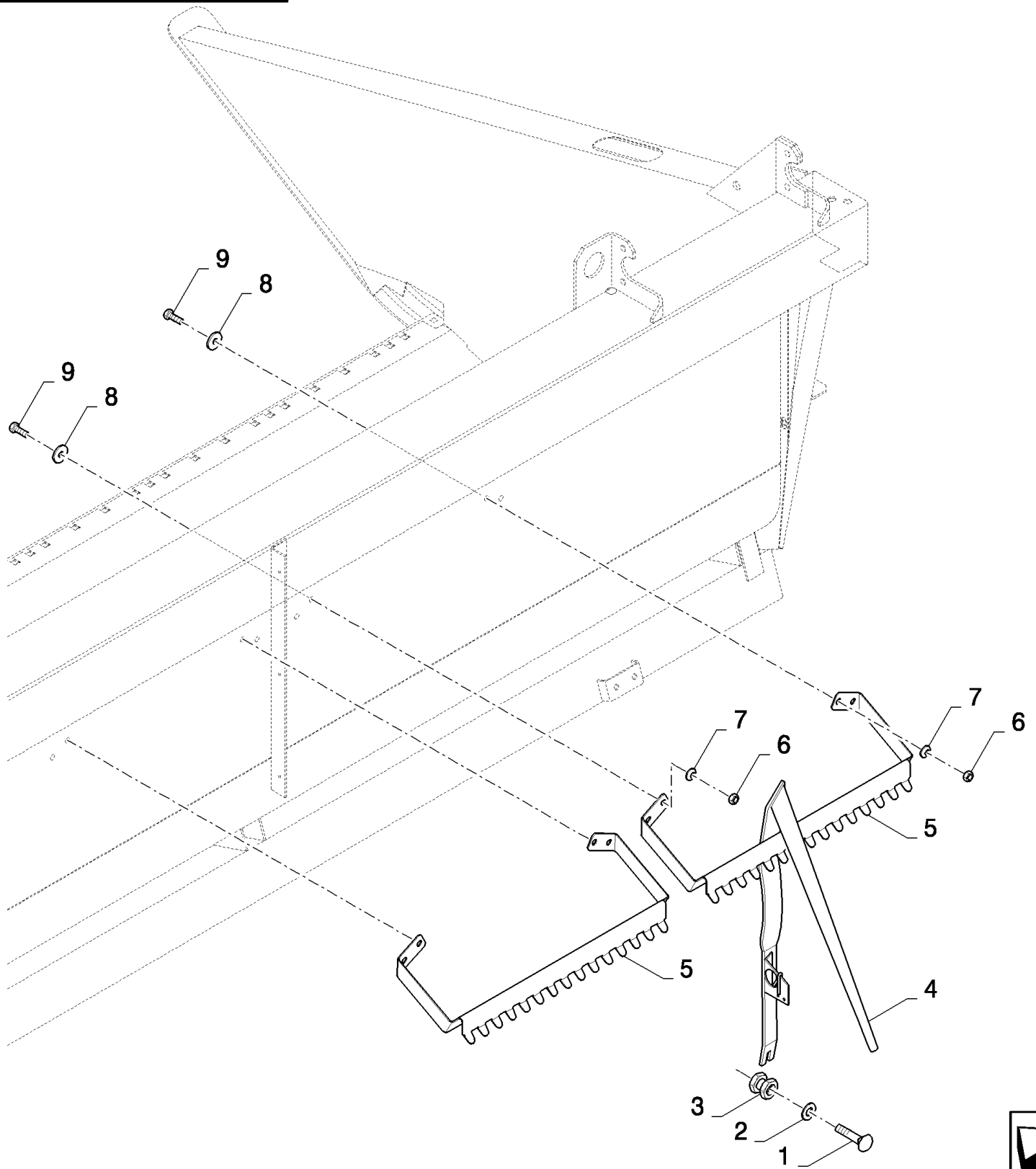
сылка	Номер детали	Кол-во	Описание
	84016407	1	DIA KIT, HARVESTER,
1	374892	12	BOLT, CARRIAGE, Short NK, M10 x 40, CI8.8, Full Thd,
2	140045	12	WASHER, SPRING, Belleville, M10,
3	89514326	12	NUT,
4	89815614	12	CROP LIFTER,
5	84437894	1	SUPPORT,
6	100016	4	NUT, M10, CI 8,
7	140045	4	WASHER, SPRING, Belleville, M10,
8	140042	4	WASHER, M10 x 34 x 3,
9	43138	4	SCREW, Hex, M10 x 20, 8.8, Full Thd,



## HIGH-CAPACITY GRAIN HEADER (1/02- )

## 18.84016408(01) CROPLIFTER SET

сылка	Номер детали	Кол-во	Описание
	84016408	1	DIA KIT, HARVESTER,
1	374892	14	BOLT, CARRIAGE, Short NK, M10 x 40, CI8.8, Full Thd,
2	140045	14	WASHER, SPRING, Belleville, M10,
3	89514326	14	NUT,
4	89815614	14	CROP LIFTER,
5	84437894	1	SUPPORT,
6	100016	4	NUT, M10, CI 8,
7	140045	4	WASHER, SPRING, Belleville, M10,
8	140042	4	WASHER, M10 x 34 x 3,
9	43138	4	SCREW, Hex, M10 x 20, 8.8, Full Thd,



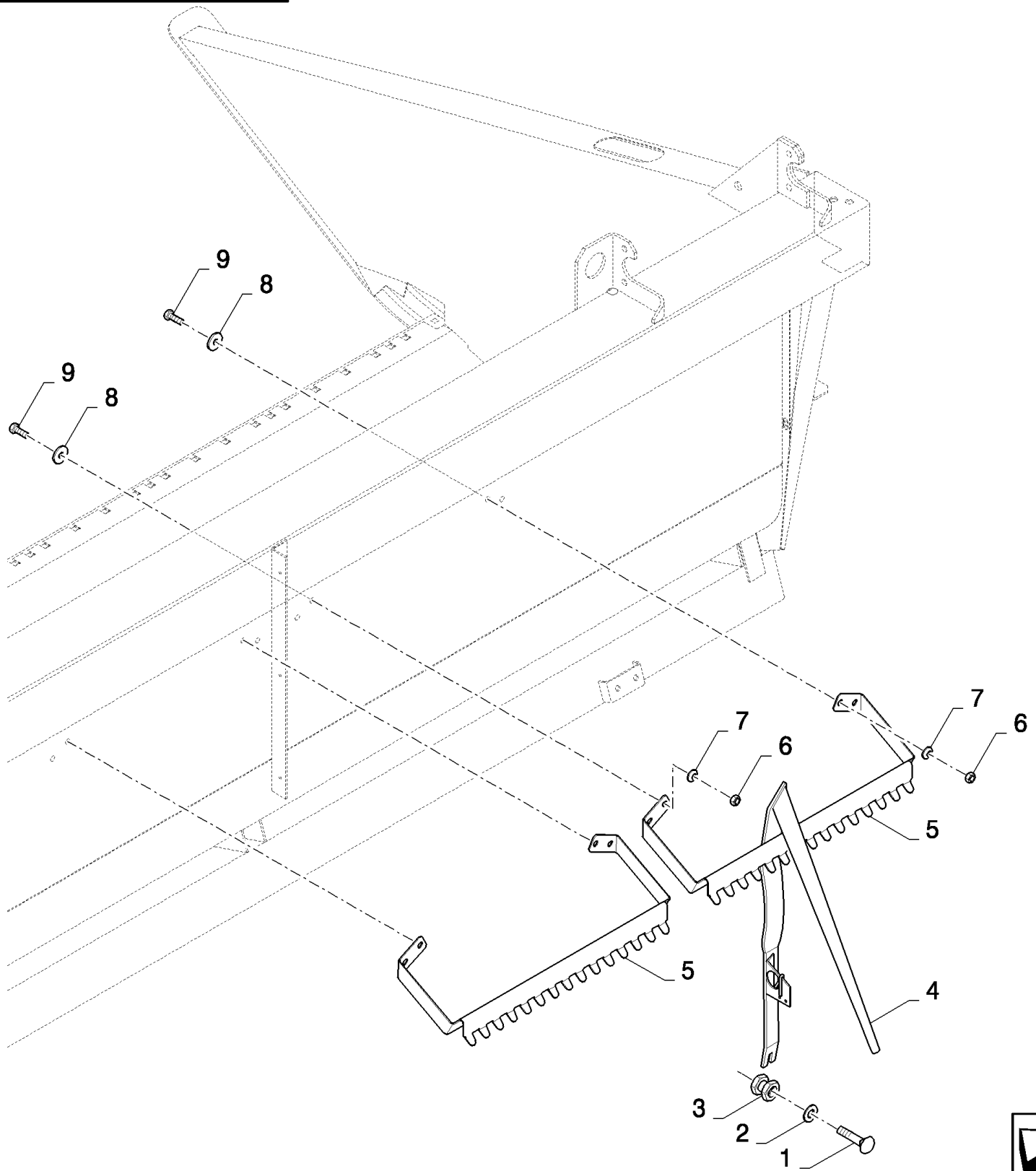
## HIGH-CAPACITY GRAIN HEADER (1/02- )

## 18.84016409(01) CROPLIFTER SET

сылка	Номер детали	Кол-во	Описание
	84016409	1	CROPLIFTER SET,
1	374892	16	BOLT, CARRIAGE, Short NK, M10 x 40, CI8.8, Full Thd,
2	140045	16	WASHER, SPRING, Belleville, M10,
3	89514326	16	NUT,
4	89815614	16	CROP LIFTER,
5	84437894	2	SUPPORT,
6	100016	8	NUT, M10, CI 8,
7	140045	8	WASHER, SPRING, Belleville, M10,
8	140042	8	WASHER, M10 x 34 x 3,
9	43138	8	SCREW, Hex, M10 x 20, 8.8, Full Thd,

HIGH-CAPACITY GRAIN HEADER (1/02- )

18.84016410(01) CROPLIFTER SET



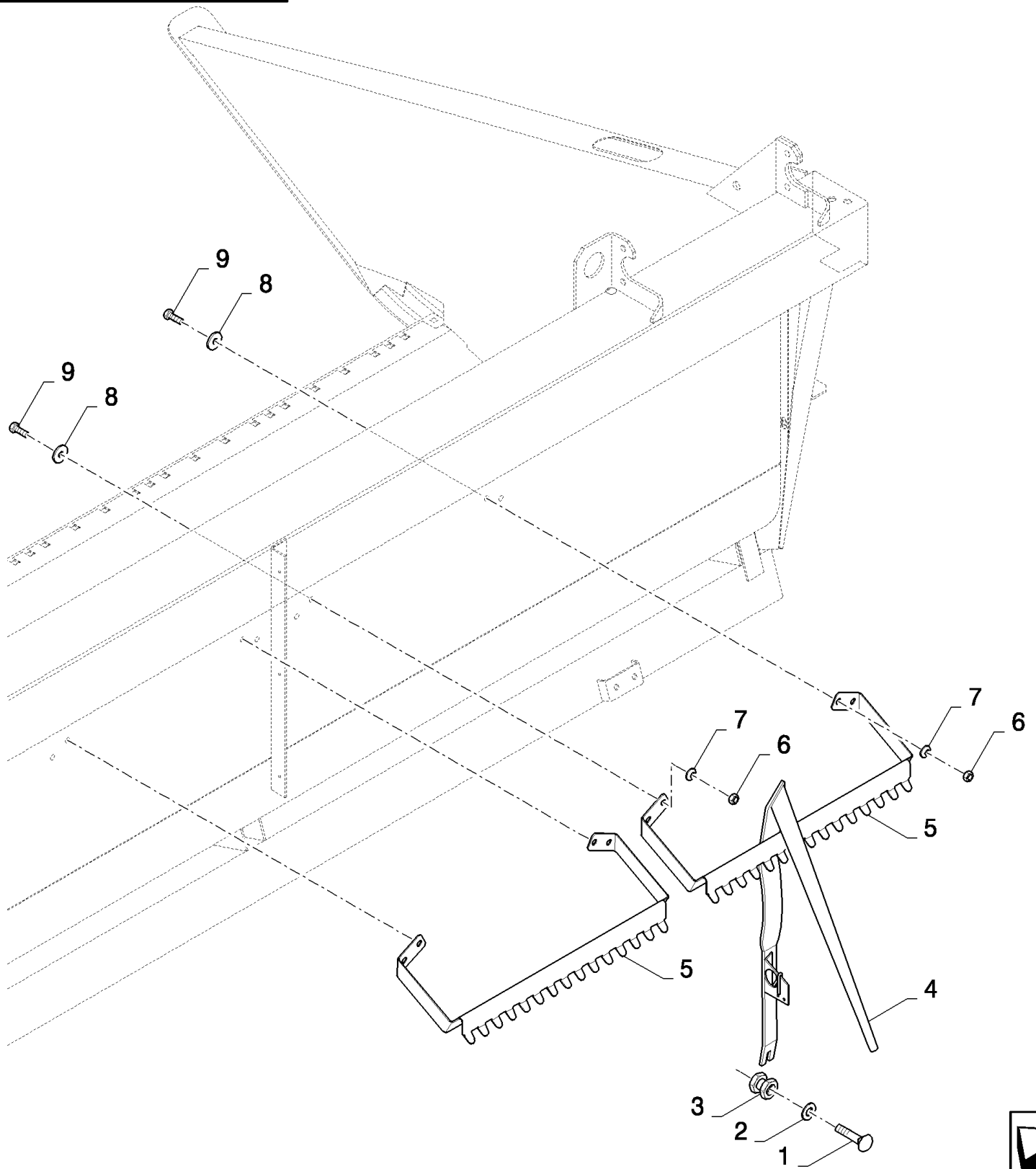
## HIGH-CAPACITY GRAIN HEADER (1/02- )

## 18.84016410(01) CROPLIFTER SET

сылка	Номер детали	Кол-во	Описание
	84016410	1	DIA KIT, HARVESTER,
1	374892	19	BOLT, CARRIAGE, Short NK, M10 x 40, CI8.8, Full Thd,
2	140045	19	WASHER, SPRING, Belleville, M10,
3	89514326	19	NUT,
4	89815614	19	CROP LIFTER,
5	84437894	2	SUPPORT,
6	100016	8	NUT, M10, CI 8,
7	140045	8	WASHER, SPRING, Belleville, M10,
8	140042	8	WASHER, M10 x 34 x 3,
9	43138	8	SCREW, Hex, M10 x 20, 8.8, Full Thd,

HIGH-CAPACITY GRAIN HEADER (1/02- )

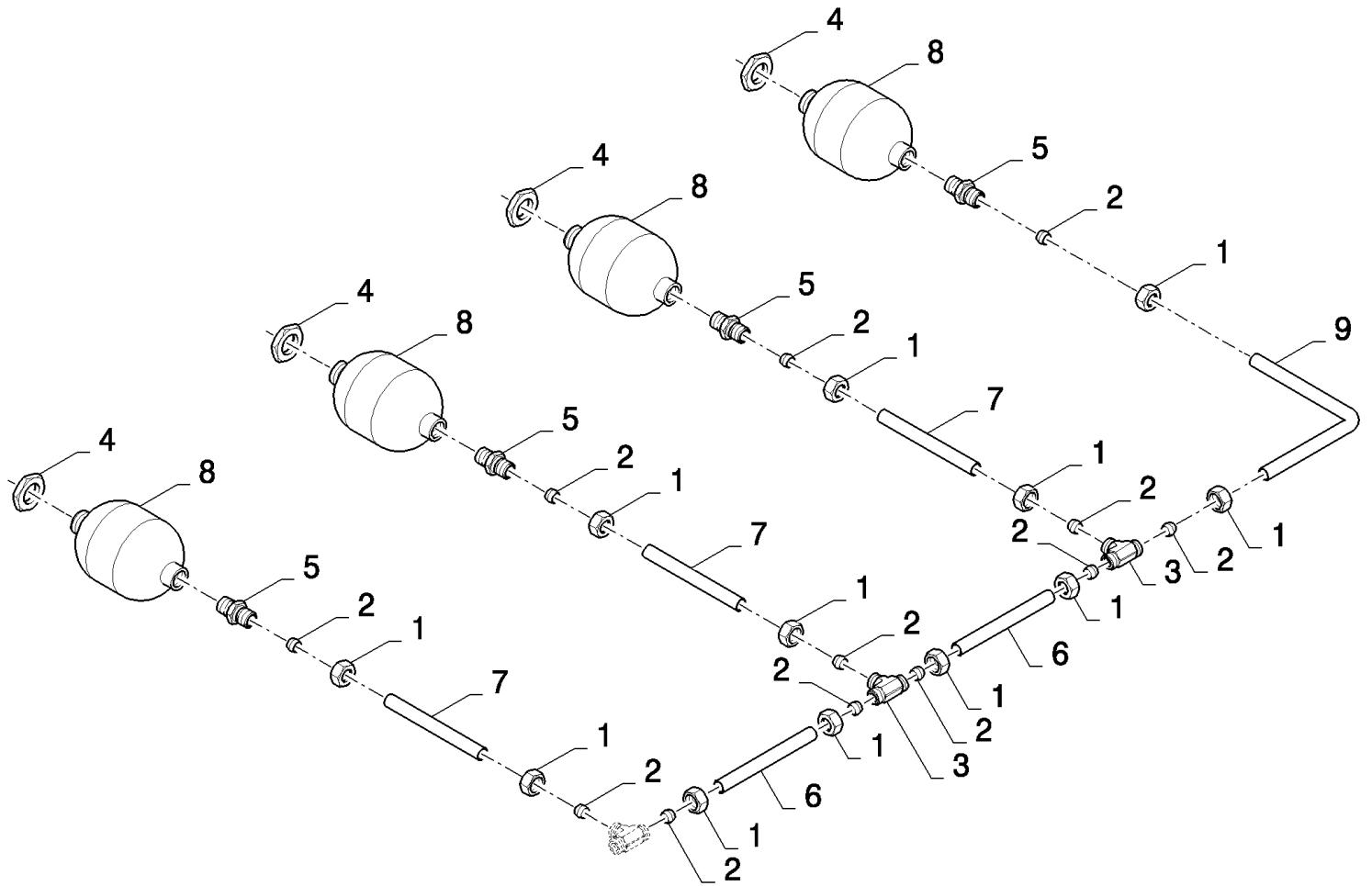
18.84016411(01) CROPLIFTER SET



## HIGH-CAPACITY GRAIN HEADER (1/02- )

## 18.84016411(01) CROPLIFTER SET

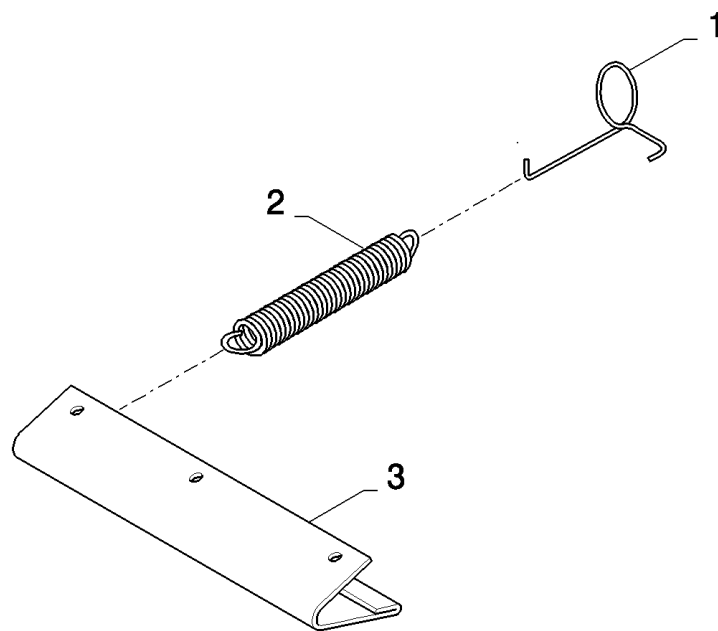
сылка	Номер детали	Кол-во	Описание
	84016411	1	DIA KIT, HARVESTER,
1	374892	23	BOLT, CARRIAGE, Short NK, M10 x 40, CI8.8, Full Thd,
2	140045	23	WASHER, SPRING, Belleville, M10,
3	89514326	23	NUT,
4	89815614	23	CROP LIFTER,
5	84437894	2	SUPPORT,
6	100016	8	NUT, M10, CI 8,
7	140045	8	WASHER, SPRING, Belleville, M10,
8	140042	8	WASHER, M10 x 34 x 3,
9	43138	8	SCREW, Hex, M10 x 20, 8.8, Full Thd,



HIGH-CAPACITY GRAIN HEADER (1/02- )

18.84020302(01) ACCUMULATOR - AL59 HILLSIDE - 70 BAR

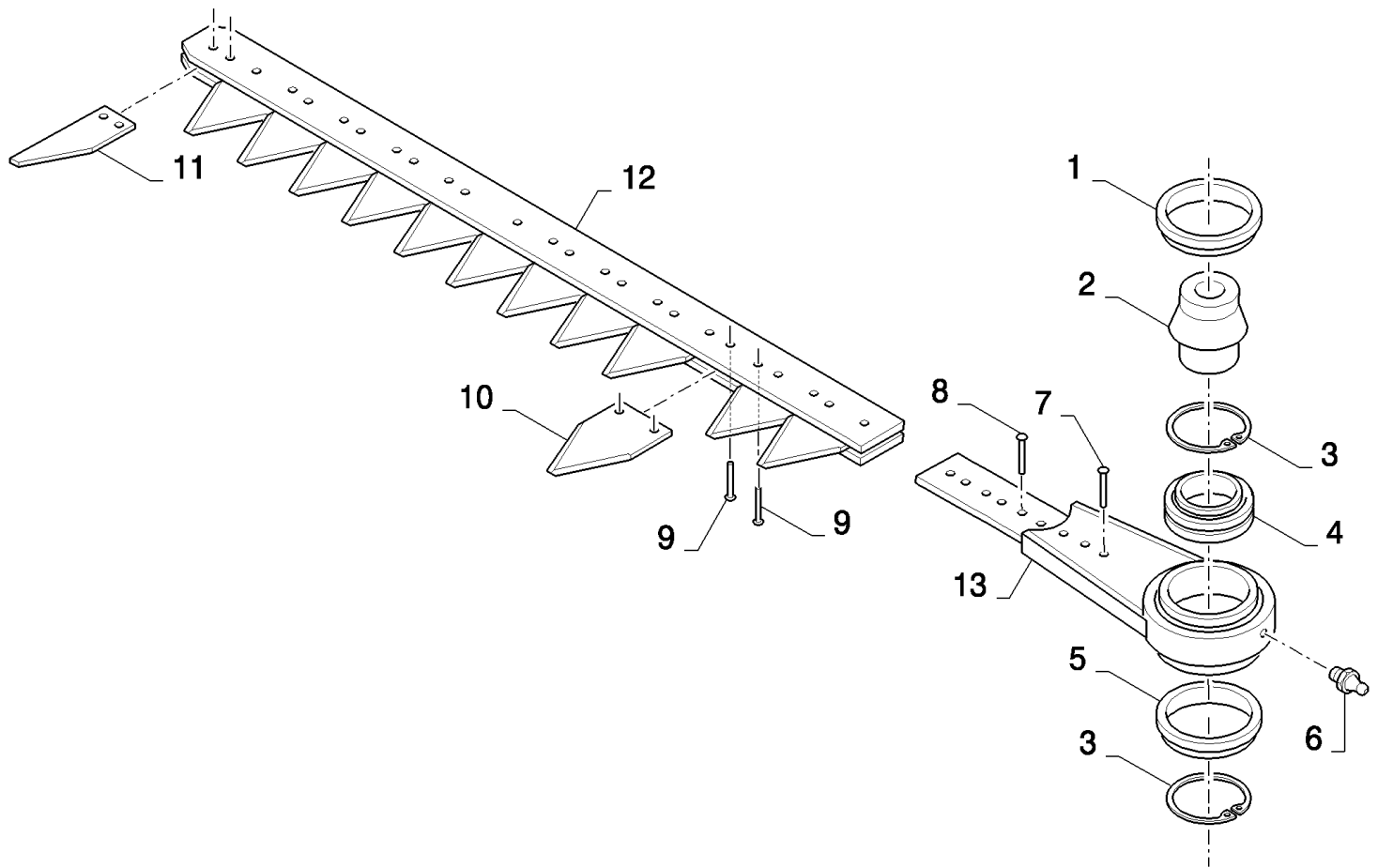
сылка	Номер детали	Кол-во	Описание
	84020302	1	DIA KIT, HARVESTER,
1	86548976	12	NUT, M12
2	150015	12	FERRULE,
3	180019	2	LINK, CONNECTING,
4	308823	4	NUT, M28 x 1.5, CI 8,
5	395782	4	CONNECTOR, HYD.,
6	446430	2	TUBE, HYD,
7	918855	3	TUBE, HYD,
8	84018325	4	ACCUMULATOR,
9	918816	1	TUBE, HYD,



## HIGH-CAPACITY GRAIN HEADER (1/02- )

## 18.84040789(01) KNIFE PROTECTION

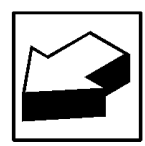
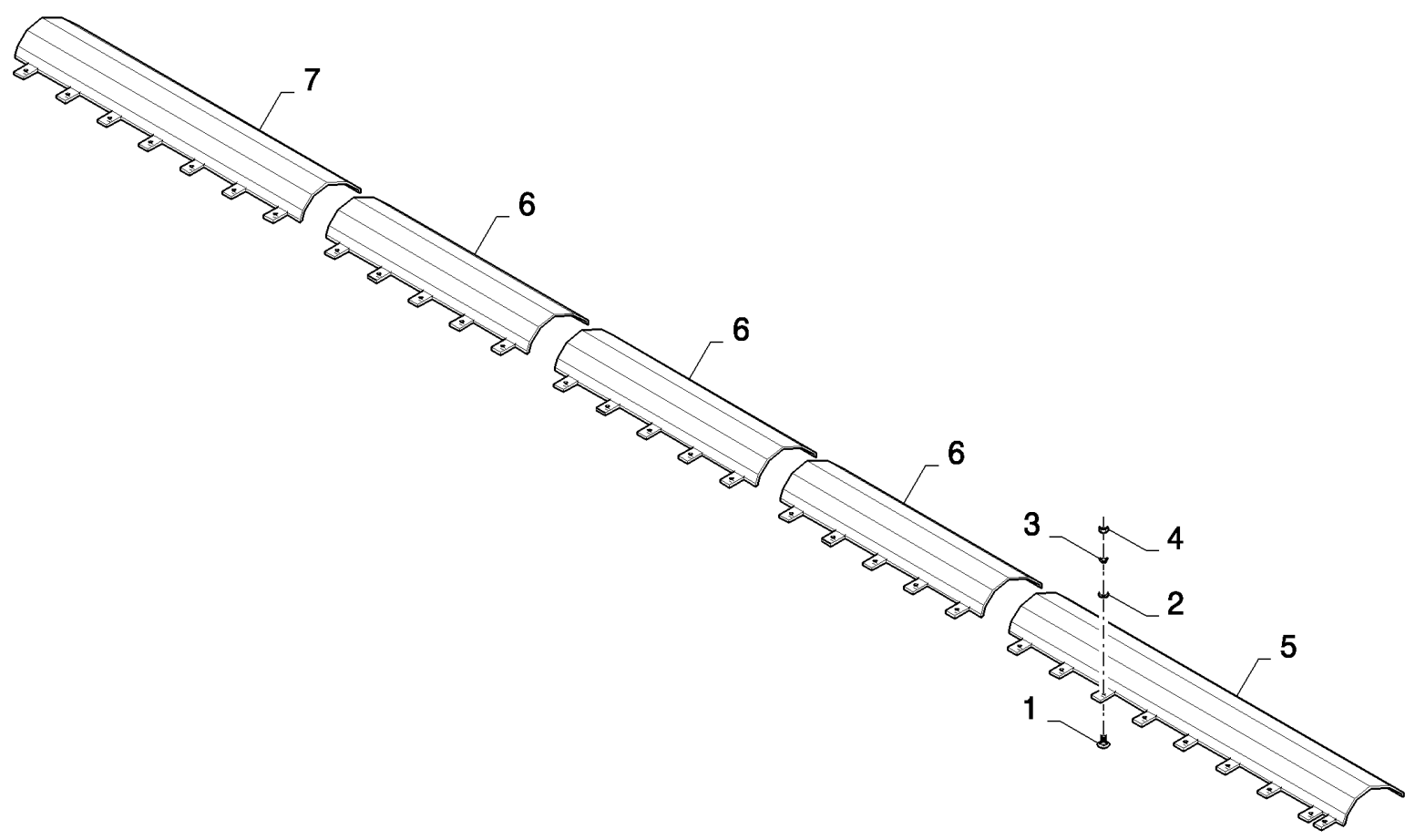
сылка	Номер детали	Кол-во	Описание
	84040789	1	DIA KIT, HARVESTER,
1	89837015	8	HOOK,
2	84814908	8	SPRING,
3	89838588	7	PROTECTION PLATE,



## HIGH-CAPACITY GRAIN HEADER (1/02- )

## 18.84040790(01) UNDERSERRATED KNIFE

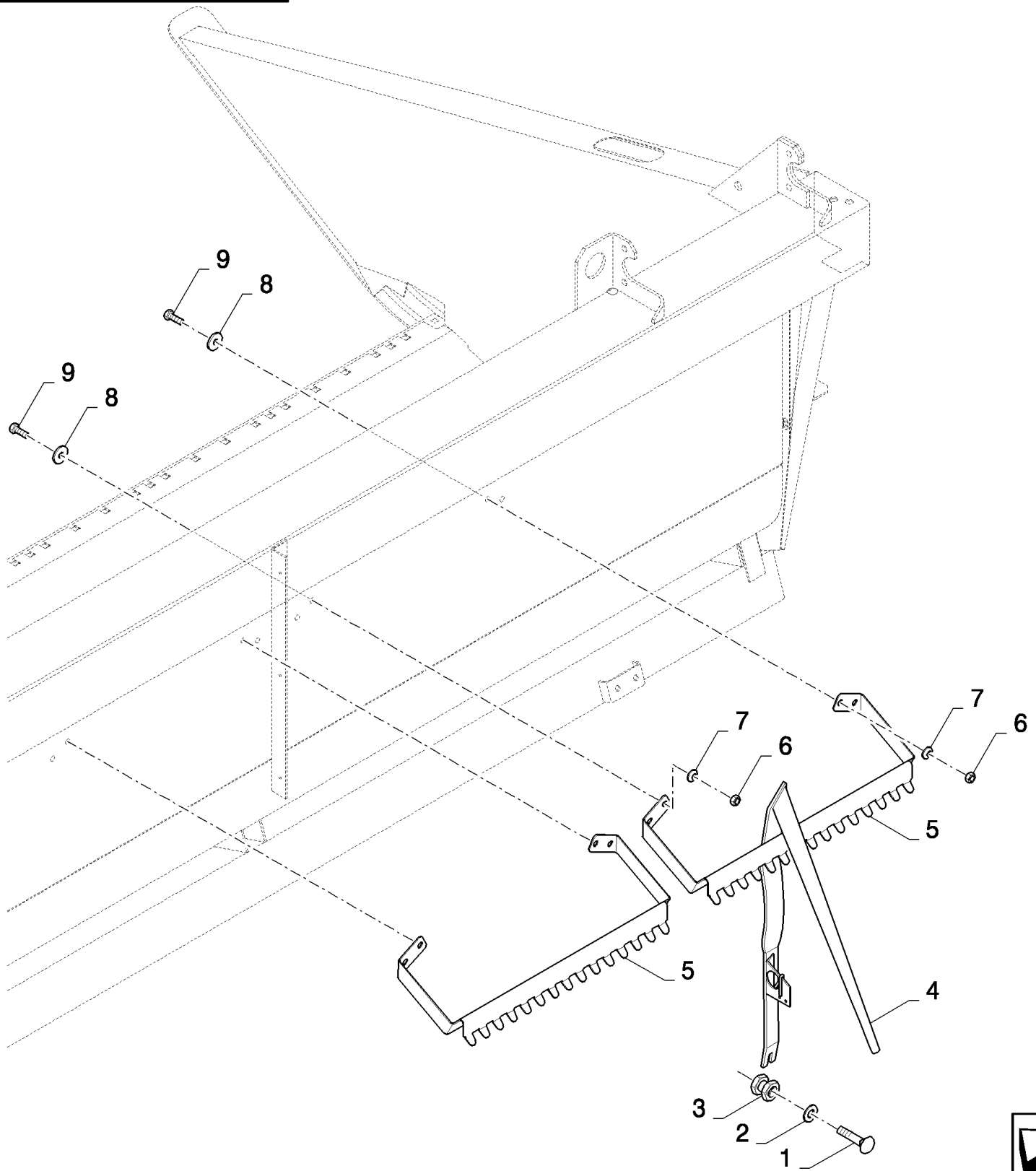
сылка	Номер детали	Кол-во	Описание
	84040790	1	DIA KIT, HARVESTER,
1	80758561	1	RING,
2	80916806	1	SHAFT,
3	80758565	2	CIRCLIP,
4	758563	1	BEARING ASSY,
5	80758559	1	COVER,
6	321204	1	NIPPLE, LUBE, M6 x 1, 16mm lg,
7	130436	3	RIVET,
8	65474	6	RIVET,
9	46436	233	RIVET,
10	365111	120	KNIFE SECTION,
11	365112	1	KNIFE SECTION,
12	84043803	1	
13	84437437	1	
	401159	0,005	Loctite



## HIGH-CAPACITY GRAIN HEADER (1/02- )

## 18.84040791(01) STONE PROTECTION

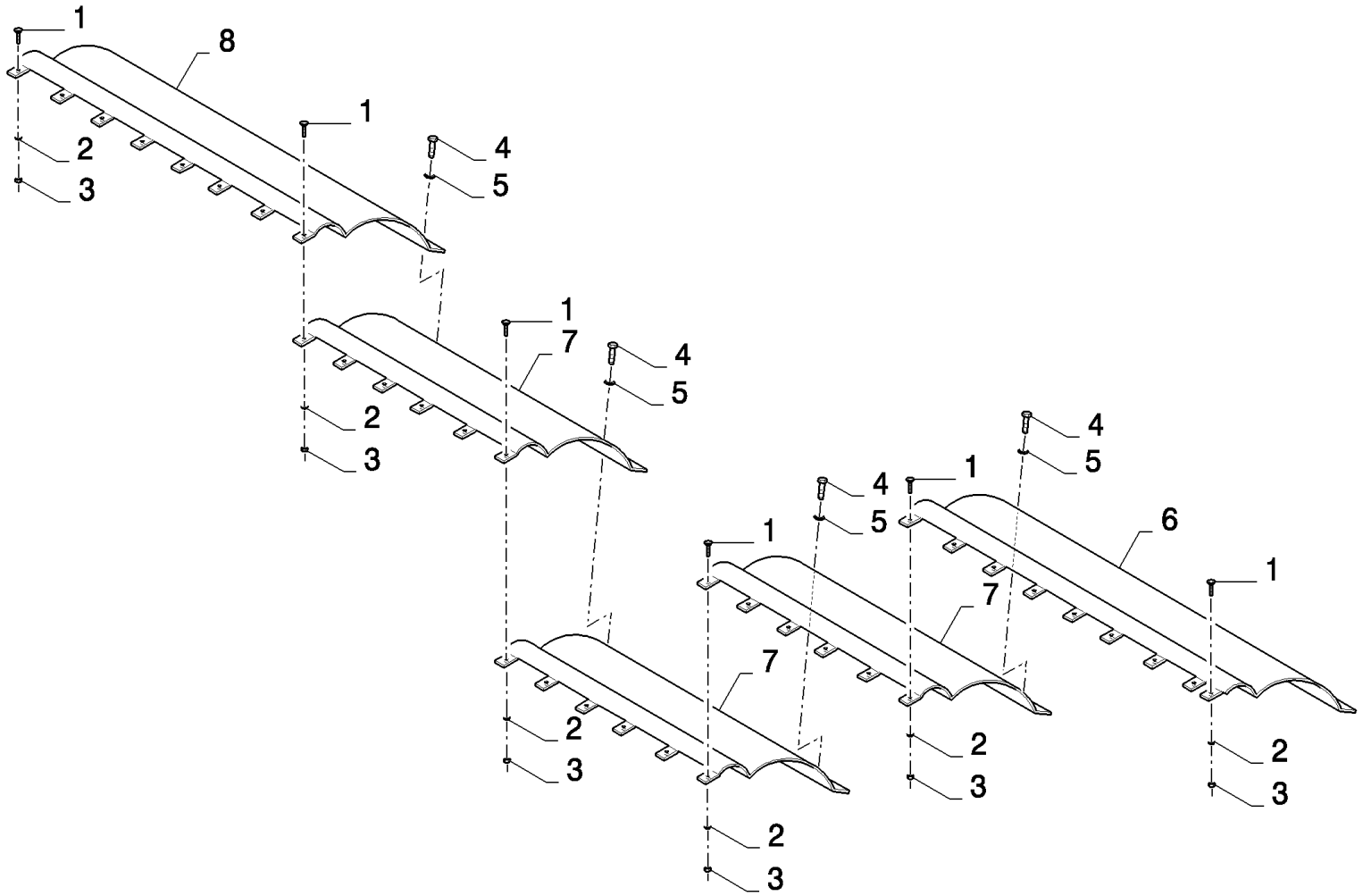
сылка	Номер детали	Кол-во	Описание
	84040791	1	DIA KIT, HARVESTER,
1	86507486	31	BOLT, CARRIAGE, Short NK, M8 x 20, CI8.8, Full Thd,
2	140041	31	WASHER, M8 x 28 x 3,
3	322358	31	WASHER, SPRING, Belleville, M8,
4	9706690	31	NUT, M8, CI 8,
5	89838339	1	PROFILE,
6	89838344	3	PROFILE,
7	89838343	1	PROFILE,



## HIGH-CAPACITY GRAIN HEADER (1/02- )

## 18.84040792(01) CROPLIFTER SET

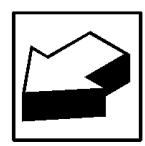
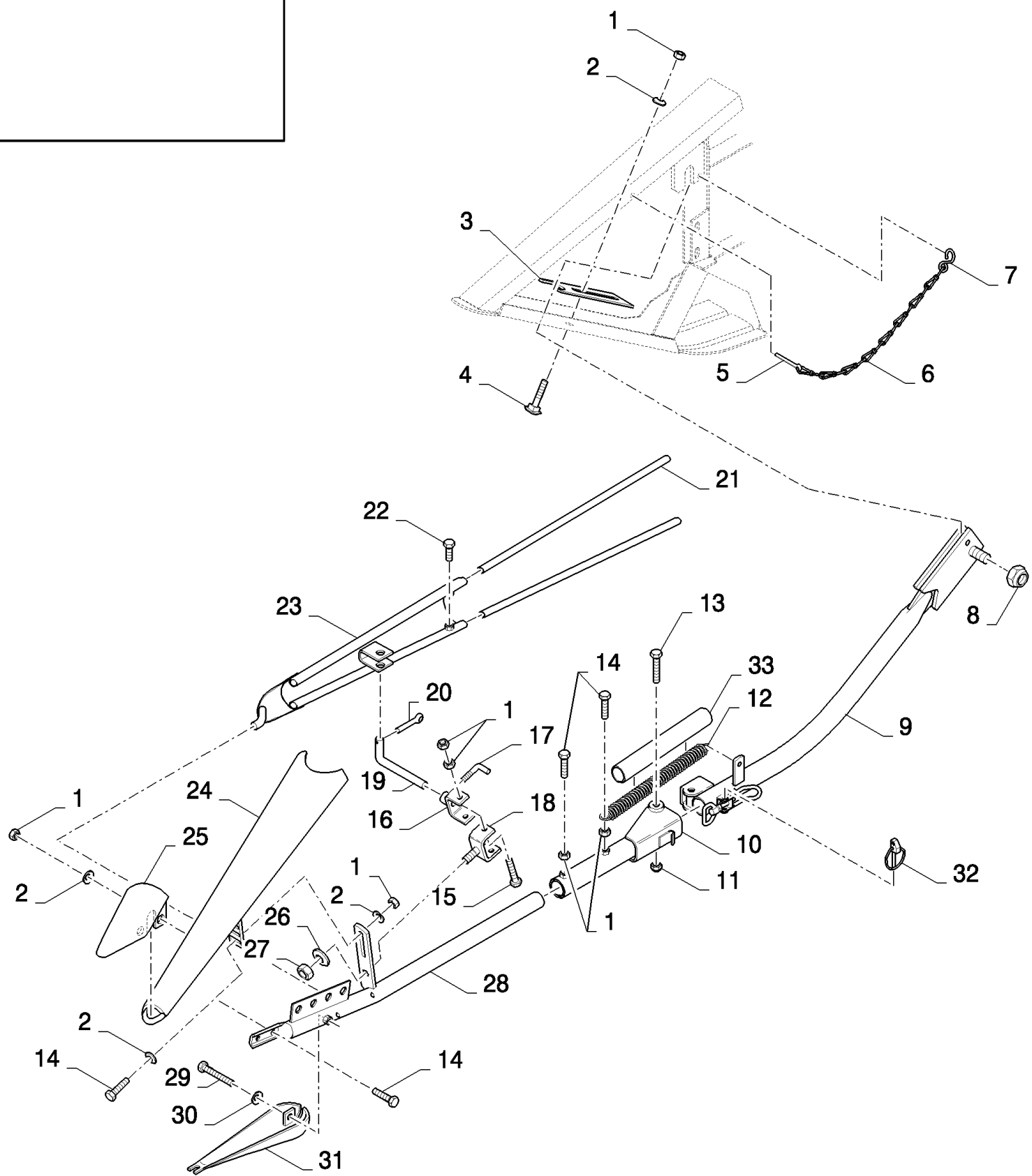
сылка	Номер детали	Кол-во	Описание
	84040792	1	DIA KIT, HARVESTER,
1	374892	29	BOLT, CARRIAGE, Short NK, M10 x 40, CI8.8, Full Thd,
2	140045	29	WASHER, SPRING, Belleville, M10,
3	89514326	29	NUT,
4	89815614	29	CROP LIFTER,
5	84437894	2	SUPPORT,
6	100016	8	NUT, M10, CI 8,
7	140045	8	WASHER, SPRING, Belleville, M10,
8	140042	8	WASHER, M10 x 34 x 3,
9	43138	8	SCREW, Hex, M10 x 20, 8.8, Full Thd,



## HIGH-CAPACITY GRAIN HEADER (1/02- )

## 18.84040793(01) FEEDING PLATE

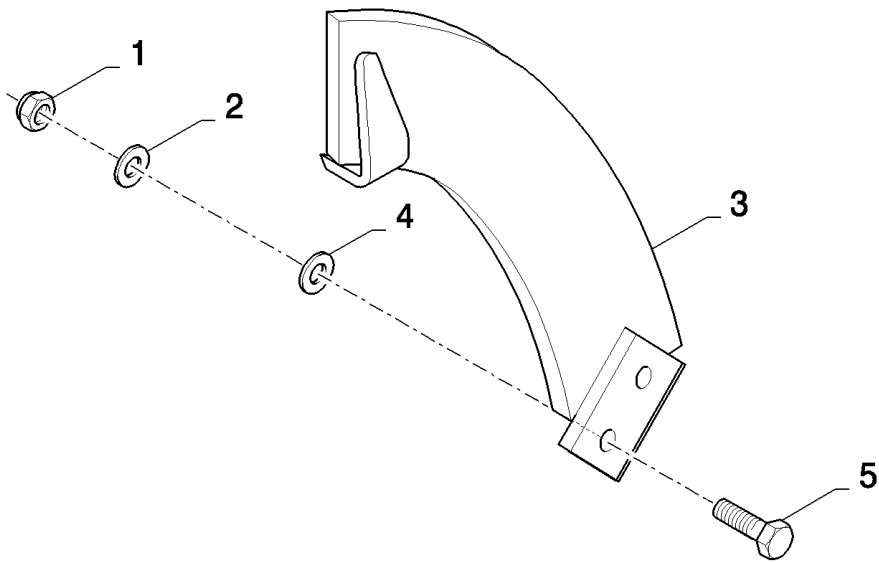
сылка	Номер детали	Кол-во	Описание
	84040793	1	DIA KIT, HARVESTER,
1	86507486	31	BOLT, CARRIAGE, Short NK, M8 x 20, CI8.8, Full Thd,
2	322358	31	WASHER, SPRING, Belleville, M8,
3	9706690	31	NUT, M8, CI 8,
4	412684	32	SCREW, M6x13
5	140015	32	WASHER, 6MM
6	80740661	1	PLATE,
7	80740663	3	PLATE,
8	80740662	1	PLATE,



## HIGH-CAPACITY GRAIN HEADER (1/02- )

## 18.84050217(01) PIVOTABLE ADJUSTABLE DIVIDERS

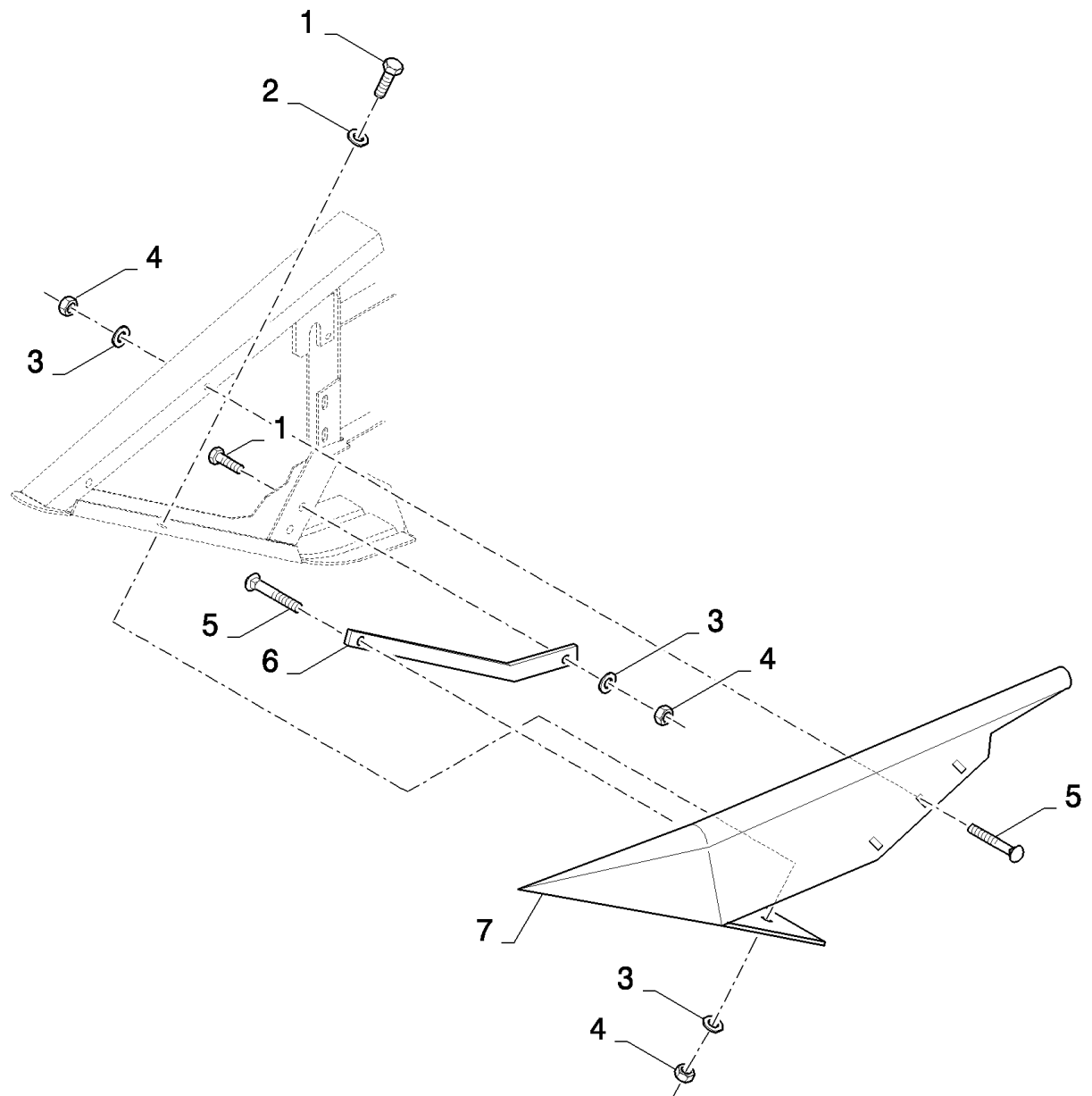
сылка	Номер детали	Кол-во	Описание
	84050217	1	PIVOTABLE ADJUSTABLE DIVI,
1	100016	22	NUT, M10, CI 8,
2	140045	14	WASHER, SPRING, Belleville, M10,
3	916898	2	PLATE, ADJUSTING,
4	86512446	2	BOLT, CARRIAGE, Short NK, M10 x 30, CI8.8, Full Thd,
5	130007	2	PIN, SPLIT (COTTER), M4 x 25,
6	230109	2	CHAIN,
7	323239	2	HOOK,
8	412180	2	NUT, LOCK, M20 x 2.5, CI 8, M20
9	84334090	1	TUBE, LH
9	84334091	1	TUBE, RH
10	84334094	1	TUBE, LH
10	84334093	1	TUBE, RH
11	100038	2	NUT, M12 x 1.75, CI 8,
12	180039	2	SPRING,
13	86508581	2	BOLT, Hex, M12 x 90, 8.8,
14	43140	12	BOLT, Hex, M10 x 30, 8.8, Full Thd,
15	89706704	4	SCREW, M10x35
16	338927	2	SUPPORT,
17	331887	2	HANDLE, LOCKING,
18	482917	2	HINGE,
19	338939	2	ROD, ADJUSTMENT,
20	412685	2	PIN, SPLIT (COTTER), M4 x 32,
21	332224	4	EXTENSION,
22	300383	4	BOLT, Hex, M10 x 16, 8.8, Full Thd,
23	338937	2	DEFLECTOR,
24	338923	2	DIVIDER,
25	338925	2	DIVIDER POINT,
26	140048	2	WASHER, SPRING, Belleville, M16,
27	100020	2	NUT, M16, CI 8,
28	338929	1	TUBE, RIGID, LH
28	338928	1	TUBE, RIGID, RH
29	43130	2	BOLT, Hex, M8 x 50, 8.8,
30	322358	2	WASHER, SPRING, Belleville, M8,
31	338948	2	DIVIDER POINT,
32	89832679	2	PIN, SPLIT (COTTER),
33	84455624	2	TUBE, PLASTIC-RUBBER,



## HIGH-CAPACITY GRAIN HEADER (1/02- )

## 18.84050760(01) ADD ON AUGER EXTENSION

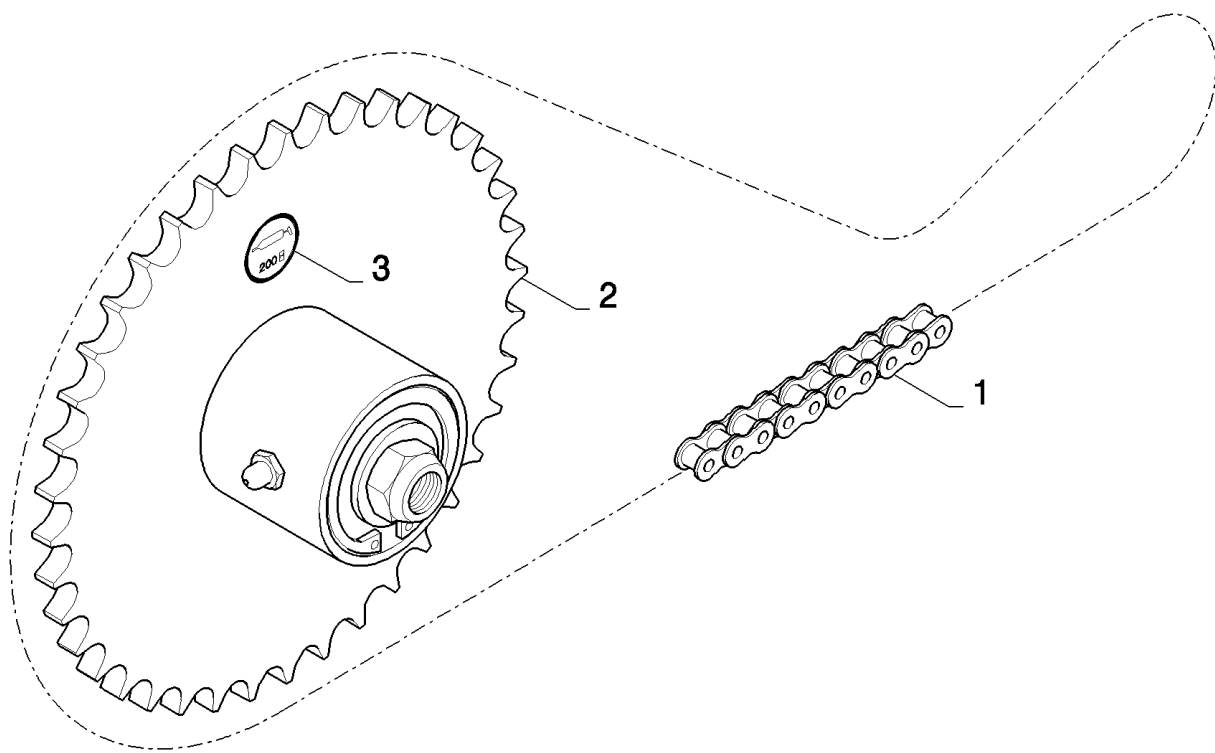
сылка	Номер детали	Кол-во	Описание
	84050760	1	ADD-ON AUGER EXTENSION,
1	89706690	6	NUT, M8, CI 8,
2	140041	2	WASHER, M8 x 28 x 3,
3	84053868	1	AUGER FLIGHT, RH
3	84053867	1	AUGER FLIGHT, LH
4	322358	6	WASHER, SPRING, Belleville, M8,
5	120104	6	SCREW, Hex, M8 x 20, 8.8,



## HIGH-CAPACITY GRAIN HEADER (1/02- )

## 18.84081247(01) FIXED SHORT DIVIDERS

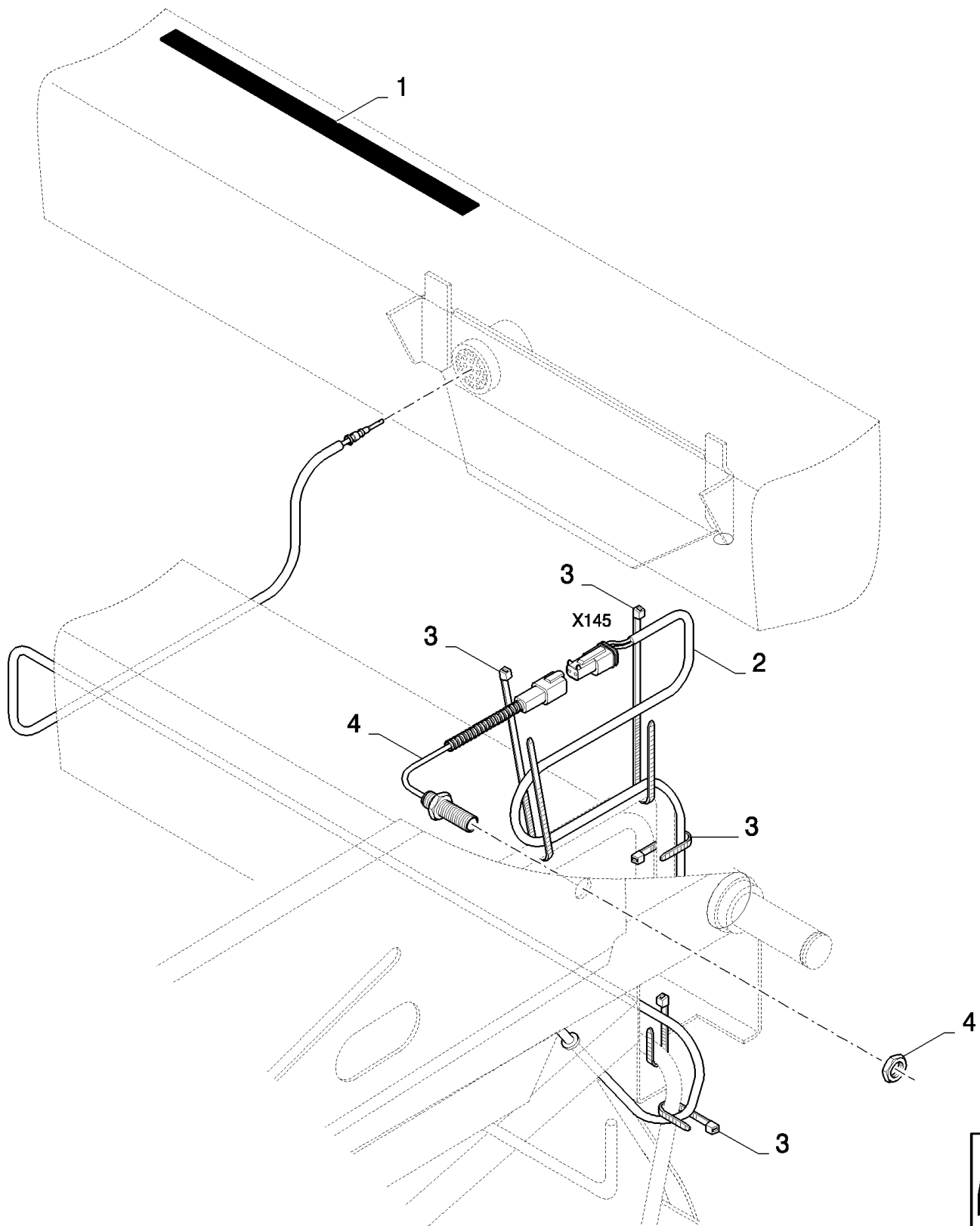
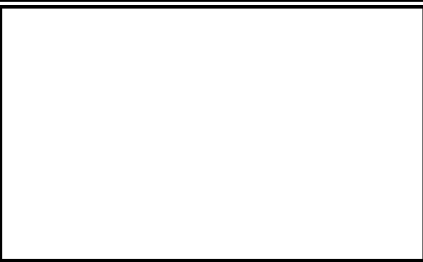
сылка	Номер детали	Кол-во	Описание
	84081247	1	DIA KIT, HARVESTER,
1	120104	5	SCREW, Hex, M8 x 20, 8.8,
2	378243	4	WASHER, M8,
3	322358	12	WASHER, SPRING, Belleville, M8,
4	89706690	12	NUT, M8, CI 8,
5	86507486	7	BOLT, CARRIAGE, Short NK, M8 x 20, CI8.8, Full Thd,
6	84989111	1	GUIDE,
7	84037592	1	DIVIDER POINT, LH
7	84037593	1	DIVIDER POINT, RH



HIGH-CAPACITY GRAIN HEADER (1/02- )

18.84081248(01) LOW RPM TINE AUGER

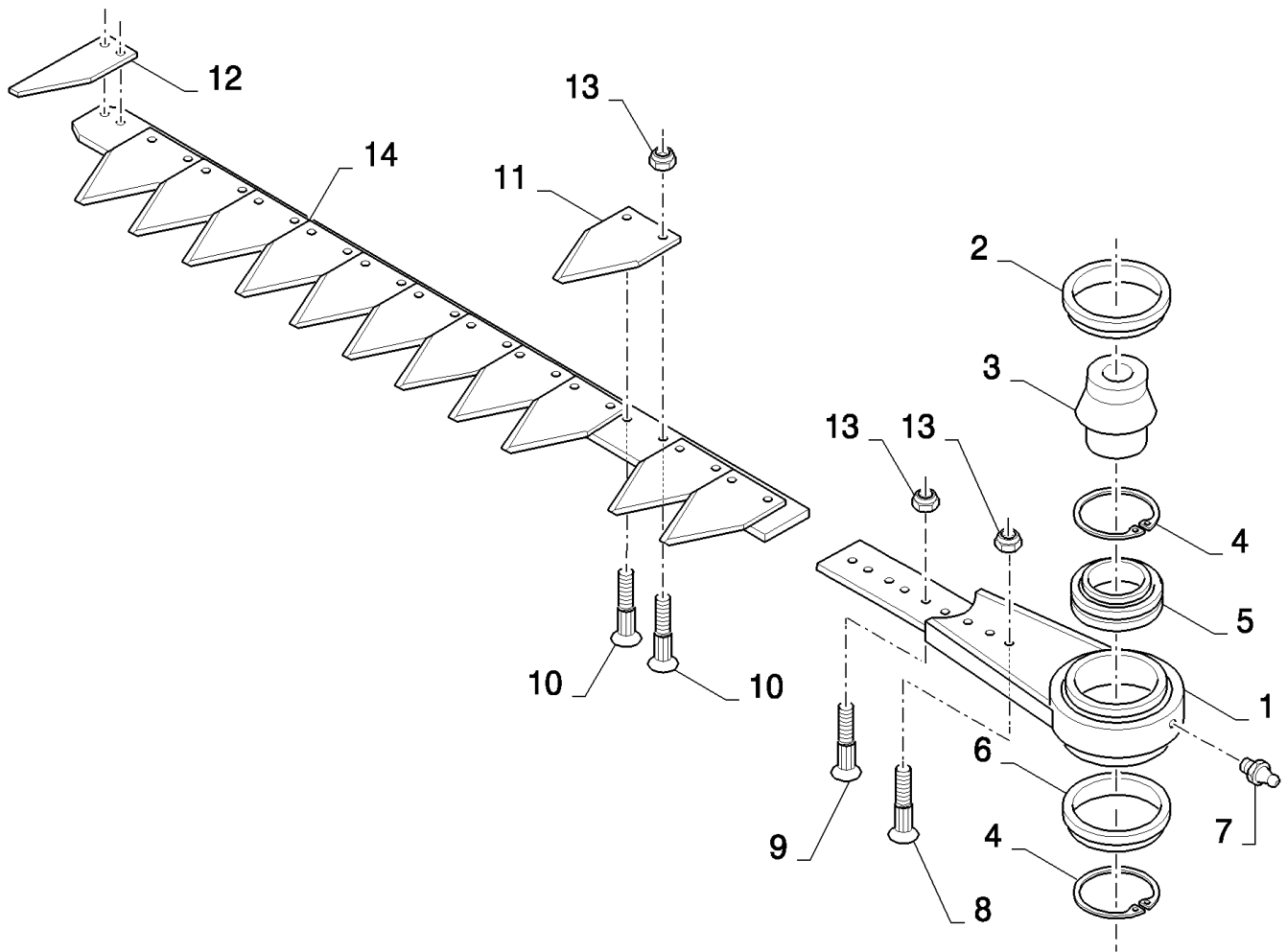
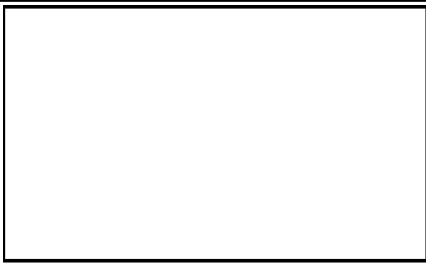
сылка	Номер детали	Кол-во	Описание
	84081248	1	DIA KIT, HARVESTER,
1	84058834	1	CHAIN,
2	84453594	1	CLUTCH,
3	84334810	1	DECAL,



## HIGH-CAPACITY GRAIN HEADER (1/02- )

## 18.84081677(01) REEL SYNCHRONISATION

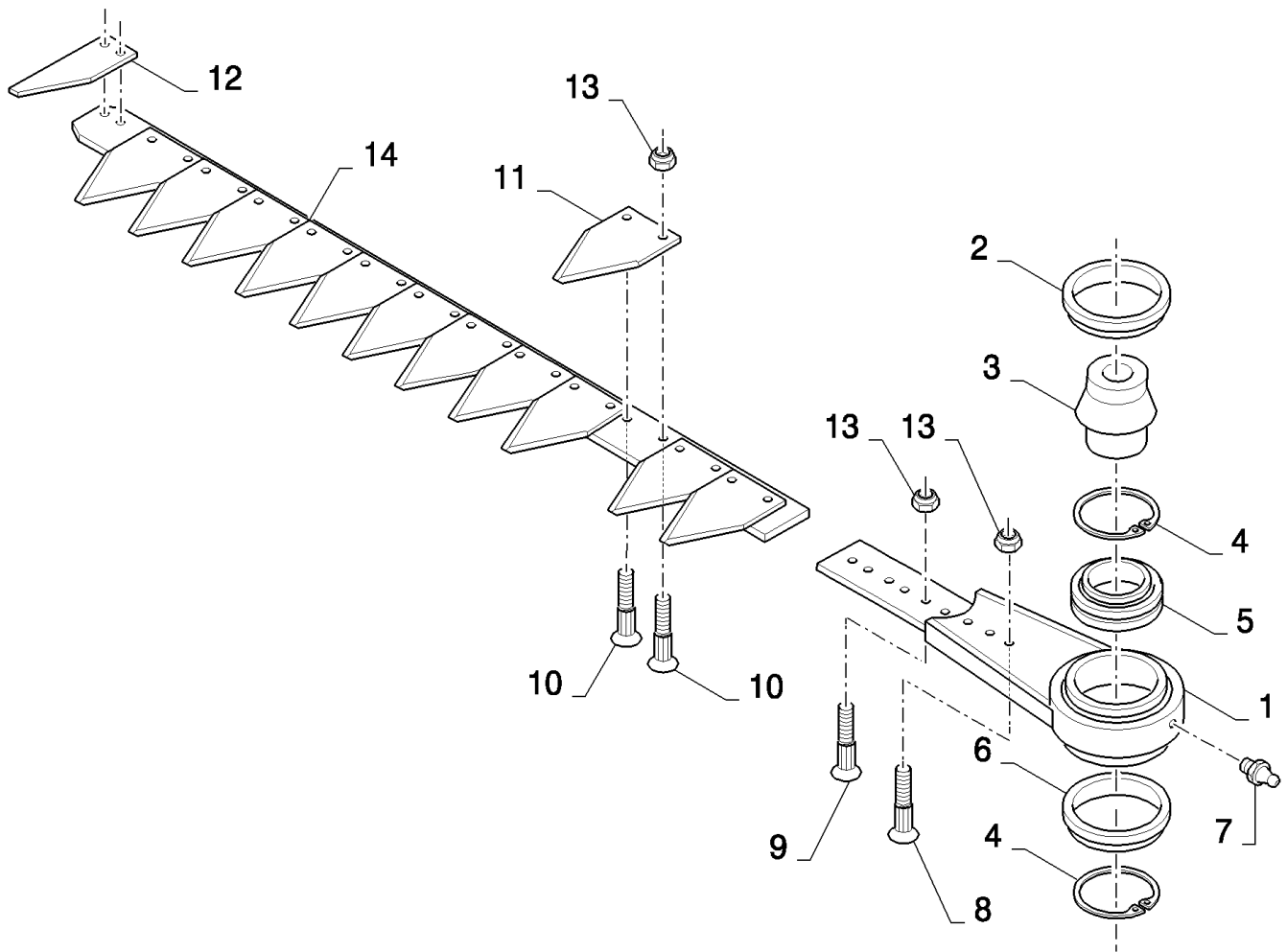
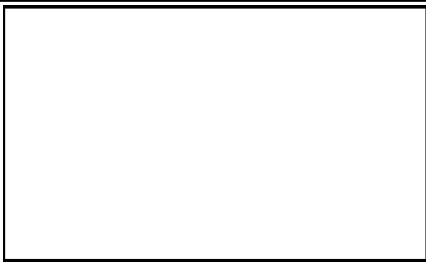
сылка	Номер детали	Кол-во	Описание
	84081677	1	DIA KIT, HARVESTER,
1	401502	1	STRIP, ANTI-SKID, L=1.9M
2	84077694	1	HARNESS, WIRE,
3	86566989	5	STRAP, CABLE,
4	84058862	1	SENSOR,



## HIGH-CAPACITY GRAIN HEADER (1/02- )

## 18.84081705(01) KNIFE GREEN CONDITIONS

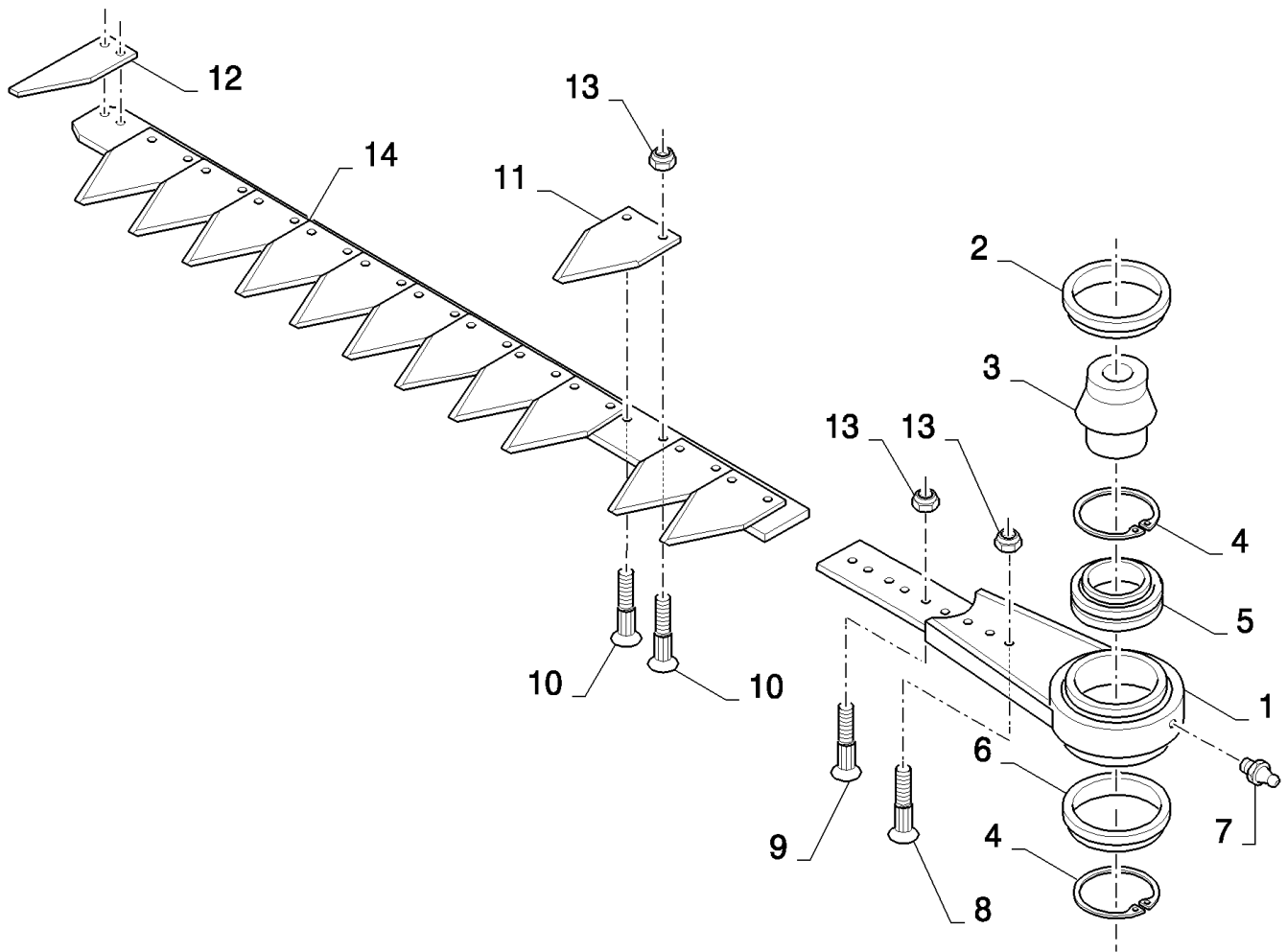
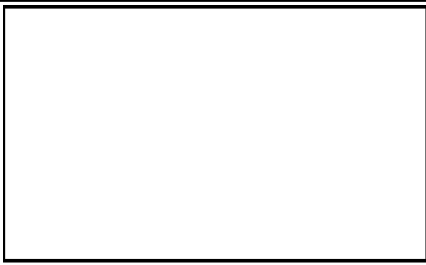
сылка	Номер детали	Кол-во	Описание
	84081705	1	KNIFE GREEN CONDITIONS,
1	84433779	1	KNIFE HEAD,
2	80758561	1	RING,
3	80916806	1	SHAFT,
4	80758565	2	CIRCLIP,
5	758563	1	BEARING ASSY,
6	80758559	1	COVER,
7	321204	1	NIPPLE, LUBE, M6 x 1, 16mm lg,
8	84429101	3	SCREW, M6x28
9	84429100	6	SCREW, M6x22
10	84429099	113	SCREW, M6x16
11	84435879	60	KNIFE SECTION,
12	84435824	1	KNIFE SECTION,
13	84429102	122	NUT,
14	84435366	1	
	401159	0,005	Loctite



## HIGH-CAPACITY GRAIN HEADER (1/02- )

## 18.84081706(01) KNIFE GREEN CONDITIONS

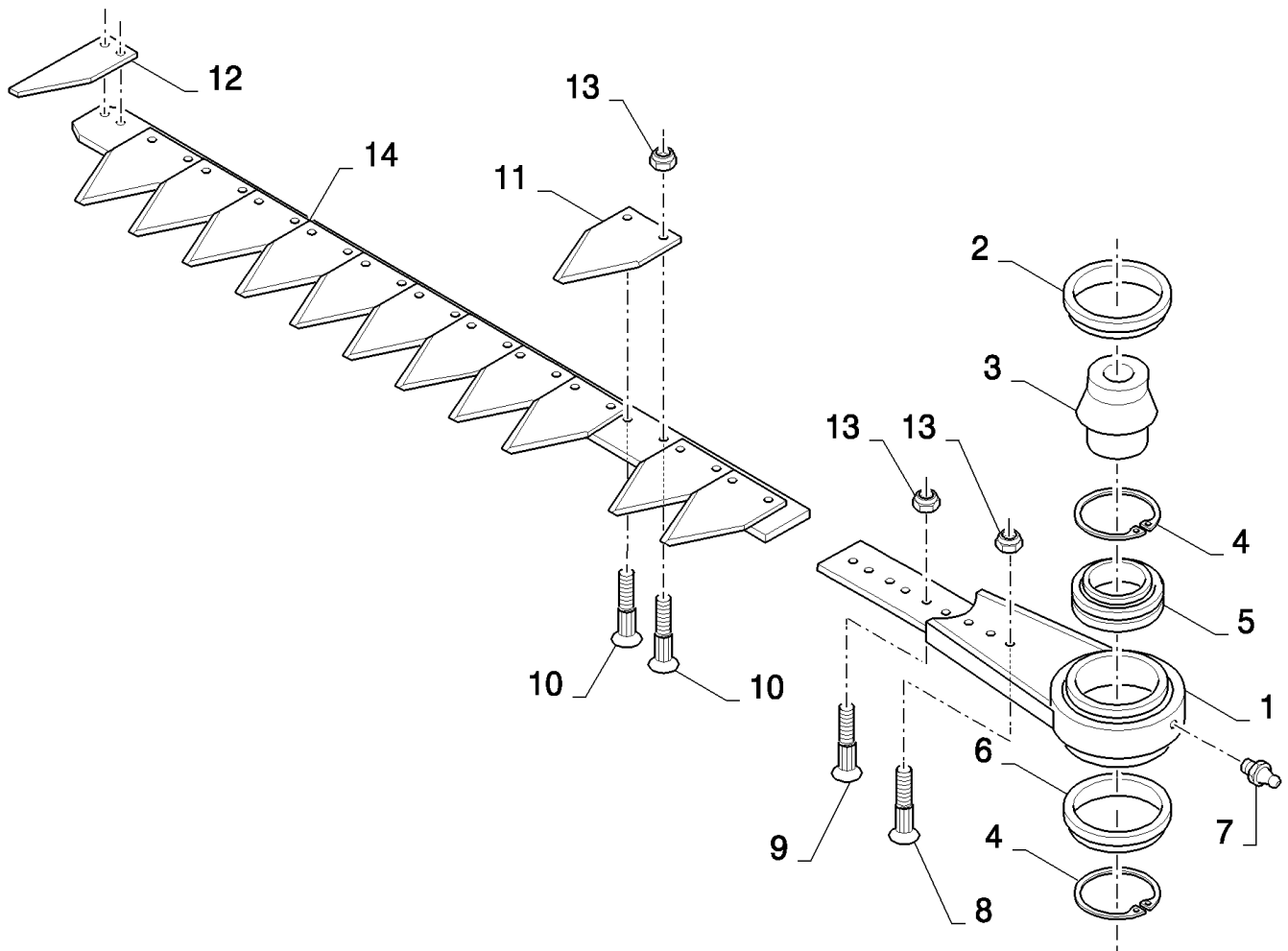
сылка	Номер детали	Кол-во	Описание
	84081706	1	KNIFE GREEN CONDITIONS,
1	84433779	1	KNIFE HEAD,
2	80758561	1	RING,
3	80916806	1	SHAFT,
4	80758565	2	CIRCLIP,
5	758563	1	BEARING ASSY,
6	80758559	1	COVER,
7	321204	1	NIPPLE, LUBE, M6 x 1, 16mm lg,
8	84429101	3	SCREW, M6x28
9	84429100	6	SCREW, M6x22
10	84429099	129	SCREW, M6x16
11	84435879	68	KNIFE SECTION,
12	84435824	1	KNIFE SECTION,
13	84429102	138	NUT,
14	84435365	1	
	401159	0,005	Loctite



## HIGH-CAPACITY GRAIN HEADER (1/02- )

## 18.84081707(01) KNIFE GREEN CONDITIONS

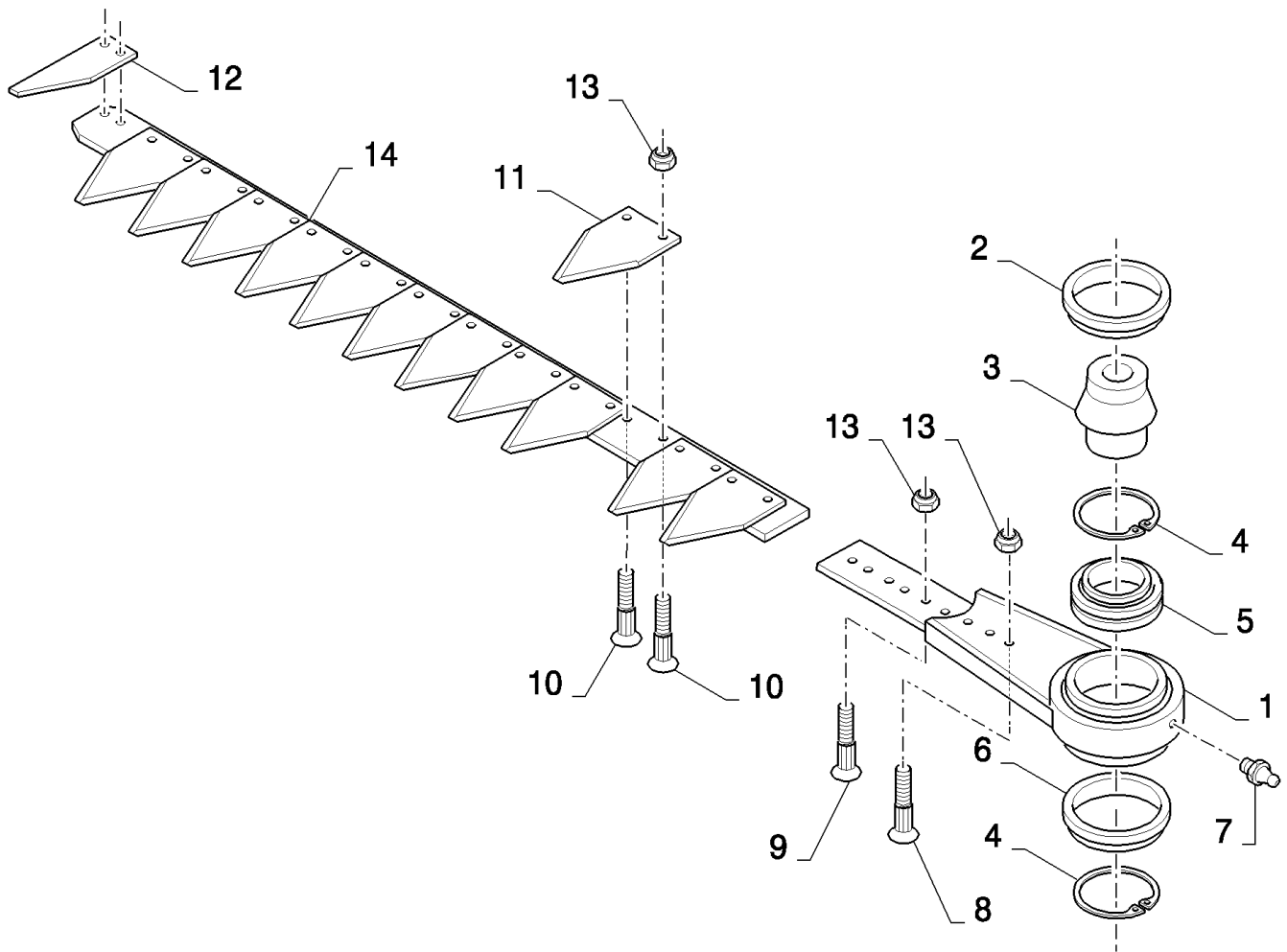
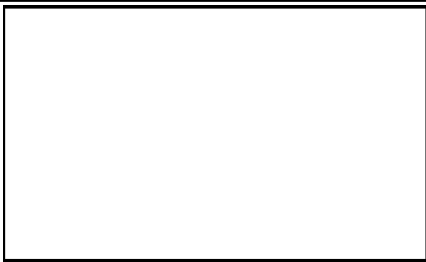
сылка	Номер детали	Кол-во	Описание
	84081707	1	KNIFE GREEN CONDITIONS,
1	84433779	1	KNIFE HEAD,
2	80758561	1	RING,
3	80916806	1	SHAFT,
4	80758565	2	CIRCLIP,
5	758563	1	BEARING ASSY,
6	80758559	1	COVER,
7	321204	1	NIPPLE, LUBE, M6 x 1, 16mm lg,
8	84429101	3	SCREW, M6x28
9	84429100	6	SCREW, M6x22
10	84429099	153	SCREW, M6x16
11	84435879	80	KNIFE SECTION,
12	84435824	1	KNIFE SECTION,
13	84429102	162	NUT,
14	84433789	1	
	401159	0,005	Loctite



## HIGH-CAPACITY GRAIN HEADER (1/02- )

## 18.84081708(01) KNIFE GREEN CONDITIONS

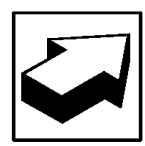
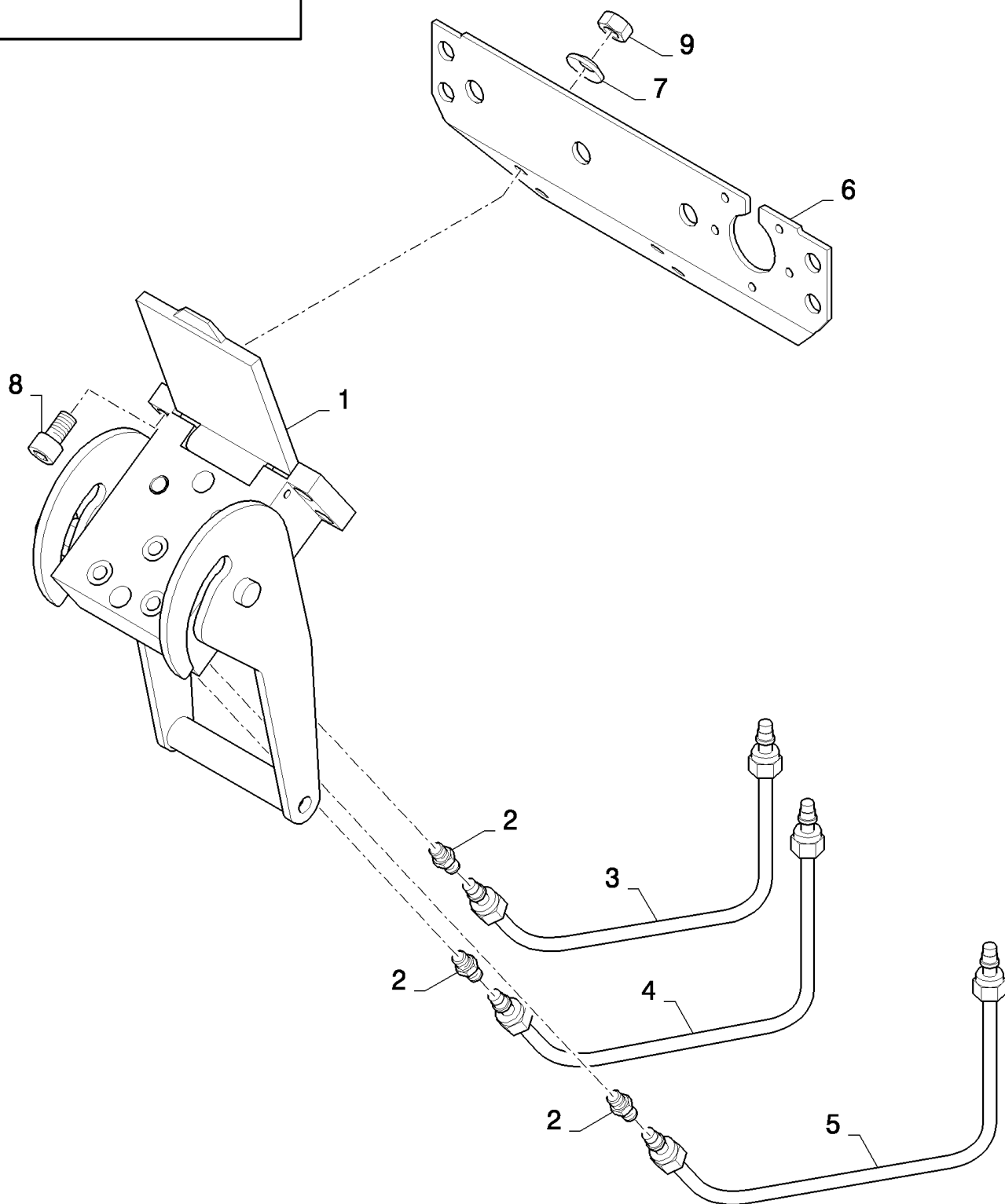
сылка	Номер детали	Кол-во	Описание
	84081708	1	KNIFE GREEN CONDITIONS,
1	84433779	1	KNIFE HEAD,
2	80758561	1	RING,
3	80916806	1	SHAFT,
4	80758565	2	CIRCLIP,
5	758563	1	BEARING ASSY,
6	80758559	1	COVER,
7	321204	1	NIPPLE, LUBE, M6 x 1, 16mm lg,
8	84429101	3	SCREW, M6x28
9	84429100	6	SCREW, M6x22
10	84429099	185	SCREW, M6x16
11	84435879	96	KNIFE SECTION,
12	84435824	1	KNIFE SECTION,
13	84429102	194	NUT,
14	84435364	1	
	401159	0,005	Loctite



## HIGH-CAPACITY GRAIN HEADER (1/02- )

## 18.84081709(01) KNIFE GREEN CONDITIONS

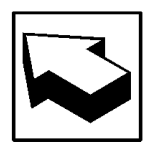
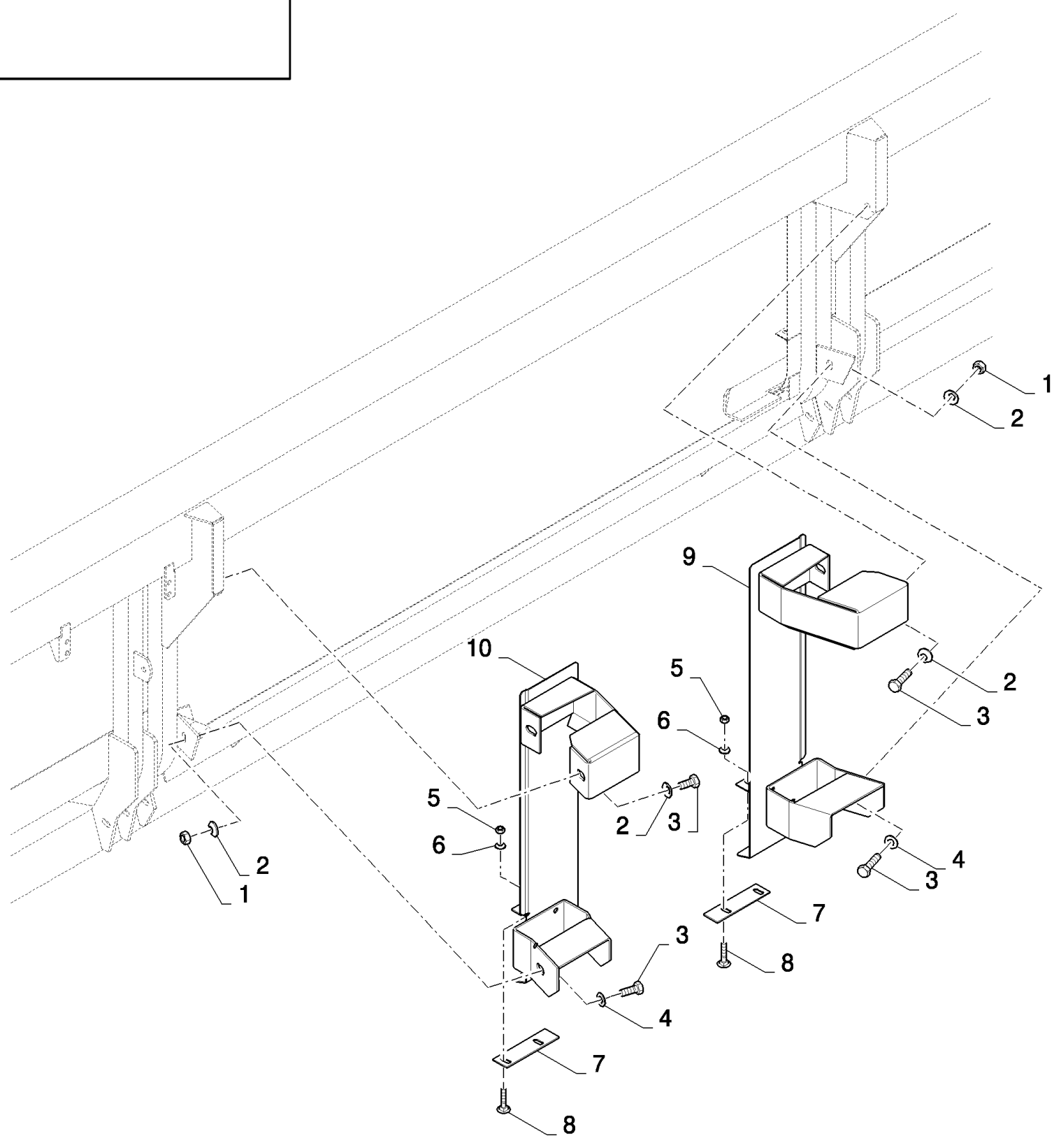
сылка	Номер детали	Кол-во	Описание
	84081709	1	DIA KIT, HARVESTER,
1	84433779	1	KNIFE HEAD,
2	80758561	1	RING,
3	80916806	1	SHAFT,
4	80758565	2	CIRCLIP,
5	758563	1	BEARING ASSY,
6	80758559	1	COVER,
7	321204	1	NIPPLE, LUBE, M6 x 1, 16mm lg,
8	84429101	3	SCREW, M6x28
9	84429100	6	SCREW, M6x22
10	84429099	233	SCREW, M6x16
11	84435879	120	KNIFE SECTION,
12	84435824	1	KNIFE SECTION,
13	84429102	242	NUT,
14	84435363	1	
	401159	0,005	Loctite



## HIGH-CAPACITY GRAIN HEADER (1/02- )

## 18.84085931(01) QUICK RELEASE COUPLER

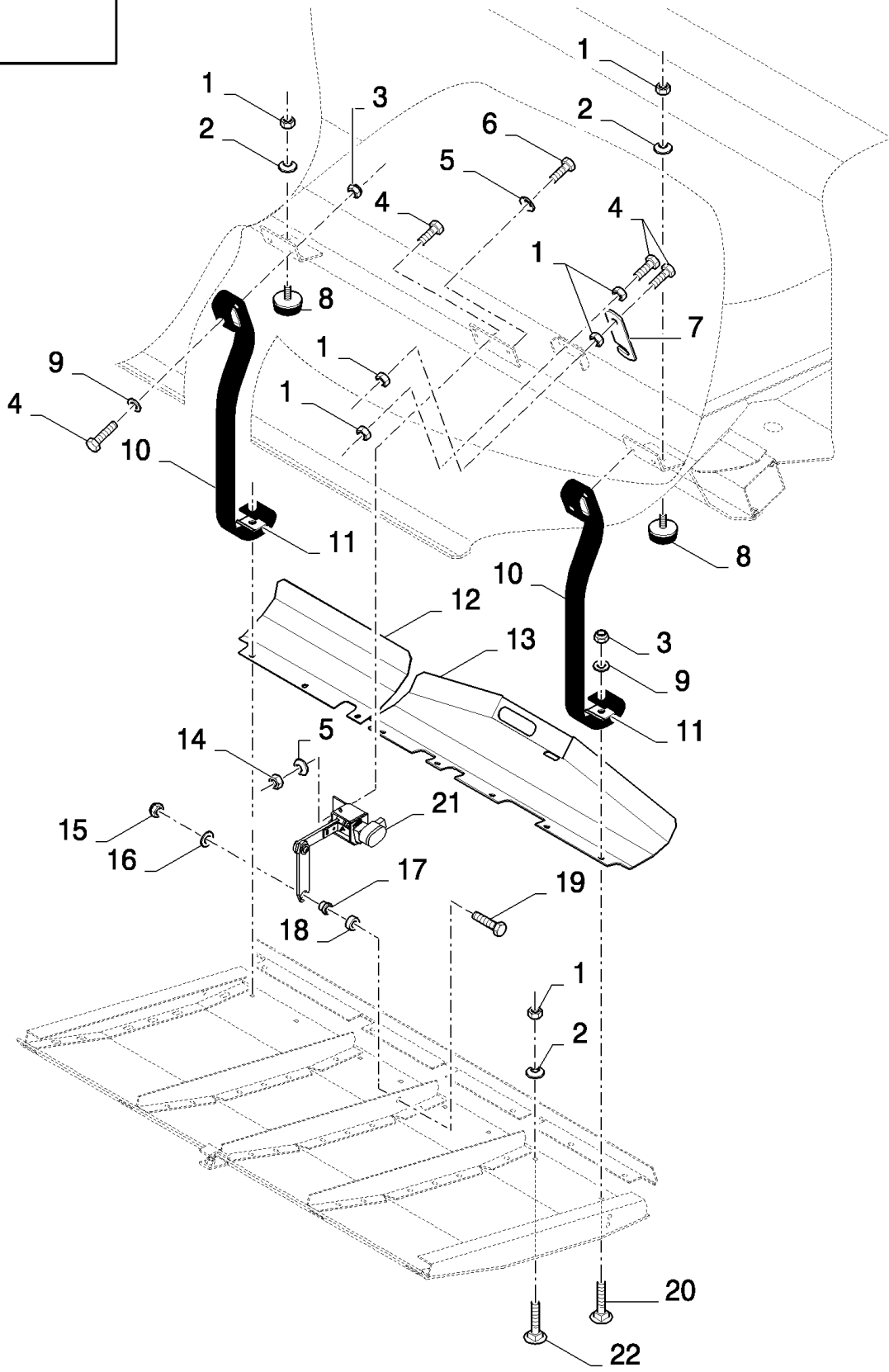
сылка	Номер детали	Кол-во	Описание
	84085931	1	DIA KIT, HARVESTER,
1	84435008	1	COUPLING, QUICK, MALE,
2	84077400	3	CONNECTOR, HYD.,
3	84435990	1	TUBE, HYD,
4	84435992	1	TUBE, HYD,
5	84435995	1	TUBE, HYD,
6	84077961	1	SUPPORT,
7	322358	4	WASHER, SPRING, Belleville, M8,
8	120228	4	SCREW, Hex Soc Hd, M8 x 20, 8.8,
9	706690	4	M8



## HIGH-CAPACITY GRAIN HEADER (1/02- )

## 18.84095674(01) FILLER PLATES

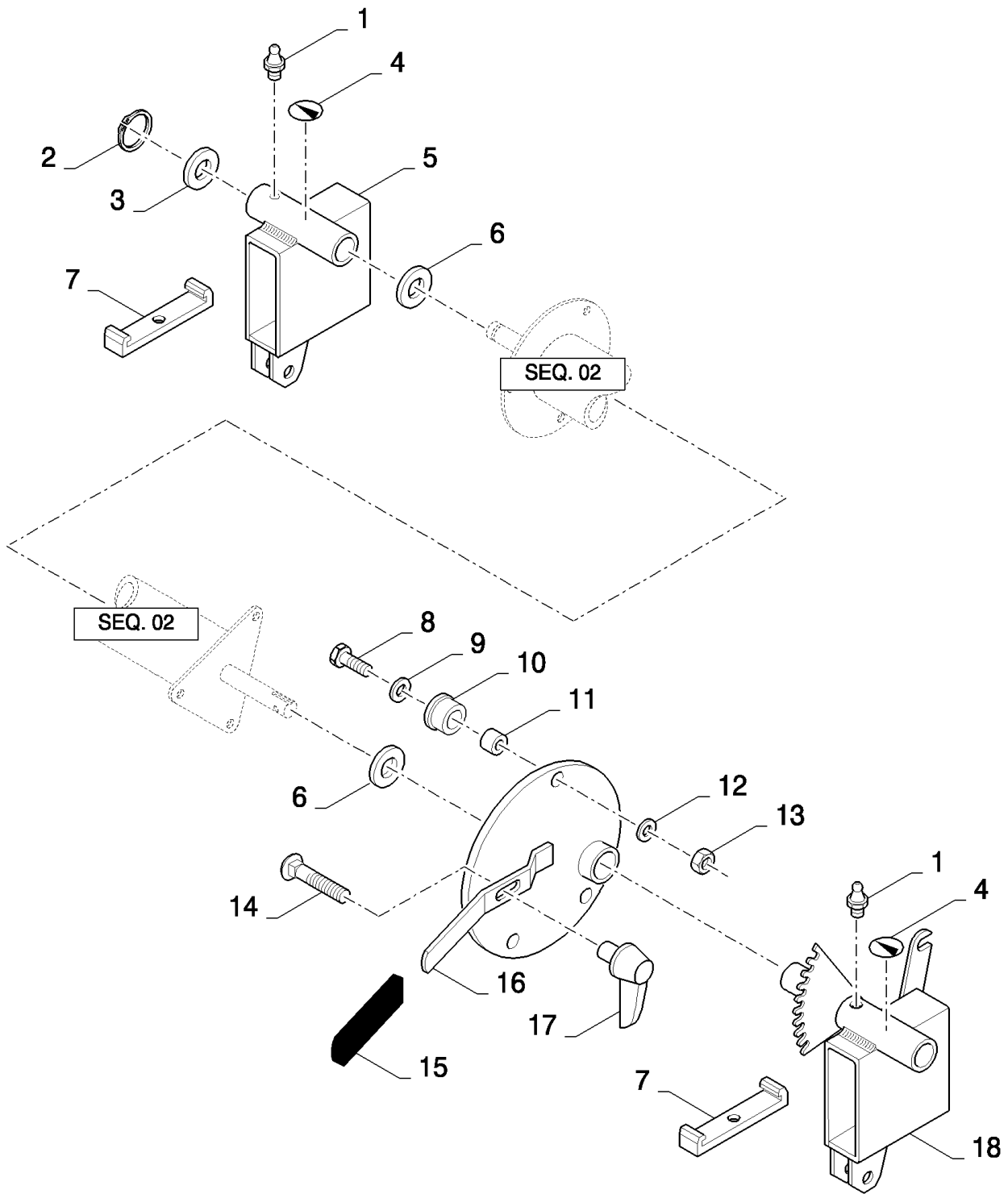
сылка	Номер детали	Кол-во	Описание
	84095674	1	DIA KIT, HARVESTER,
1	89706685	2	NUT, M12
2	140046	6	WASHER, Belleville, M12,
3	300388	6	SCREW, Hex, M12 x 25, 8.8,
4	378245	2	WASHER, M12,
5	89706690	4	NUT, M8, CI 8,
6	322358	4	WASHER, SPRING, Belleville, M8,
7	84438808	2	PLATE,
8	86507486	4	BOLT, CARRIAGE, Short NK, M8 x 20, CI8.8, Full Thd,
9	84437592	1	SUPPORT, RH
10	84437608	1	SUPPORT, LH



## HIGH-CAPACITY GRAIN HEADER (1/02- )

## 18.84096829(01) AUTO FLOAT SKID POTENTIOMETERS

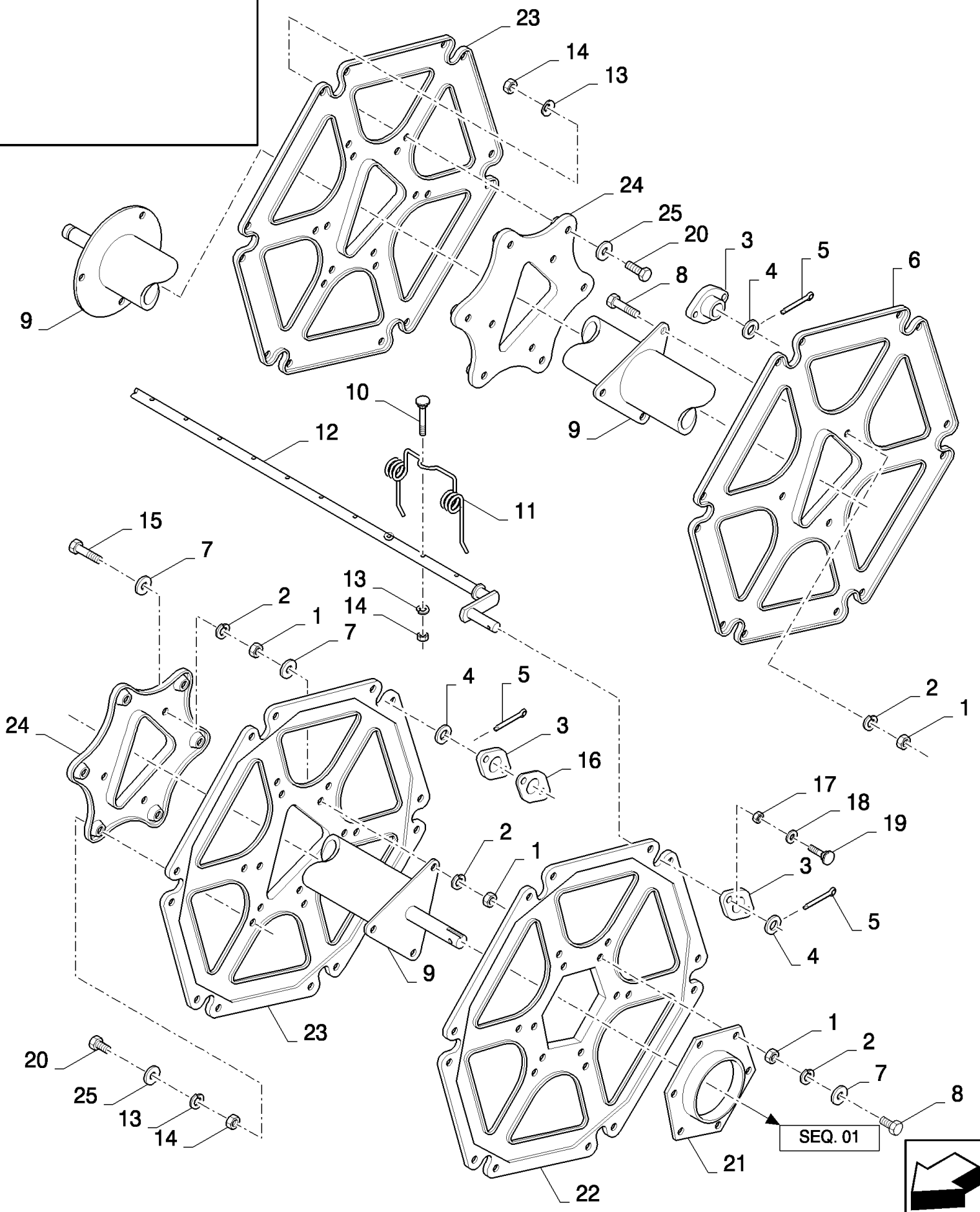
сылка	Номер детали	Кол-во	Описание
	84096829	1	AF SENSORS L/WIRES,
1	100016	14	NUT, M10, CI 8,
2	140045	6	WASHER, SPRING, Belleville, M10,
3	100037	8	NUT, M10 x 1.5, CI 8,
4	43140	8	BOLT, Hex, M10 x 30, 8.8, Full Thd,
5	322358	4	WASHER, SPRING, Belleville, M8,
6	120104	4	SCREW, Hex, M8 x 20, 8.8,
7	84036082	2	LOCK,
8	190029	4	INSULATOR BLOCK,
9	140042	8	WASHER, M10 x 34 x 3,
10	84032833	4	BAND,
11	84036081	8	CLAMP,
12	84098590	2	PLATE,
13	84098586	2	PLATE,
14	89706690	2	NUT, M8, CI 8,
15	86629542	2	NUT, LOCK, M8 x 1.25, CI 8,
16	86592699	2	WASHER, M6 x 23 x 4, HT, 8MM
17	89847466	2	BUSHING,
18	335873	2	SPACER,
19	43129	2	BOLT, Hex, M8 x 40, 8.8,
20	86512446	4	BOLT, CARRIAGE, Short NK, M10 x 30, CI8.8, Full Thd,
21	84098587	2	
22	120041	2	BOLT, CARRIAGE, Short NK, M10 x 20, CI8.8, Full Thd,



## HIGH-CAPACITY GRAIN HEADER (1/02- )

18.84101707(01) REEL

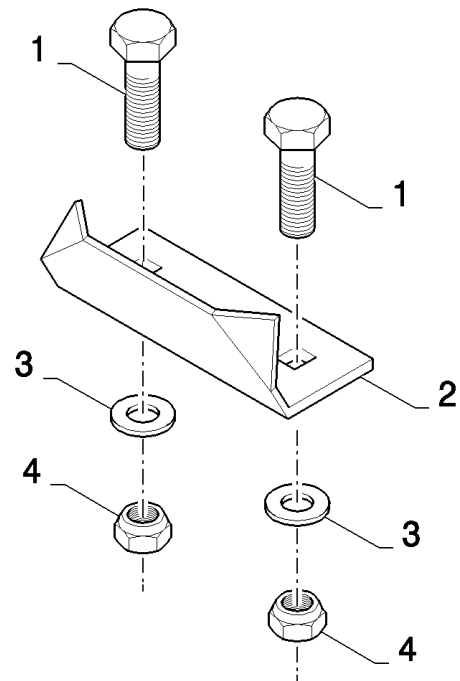
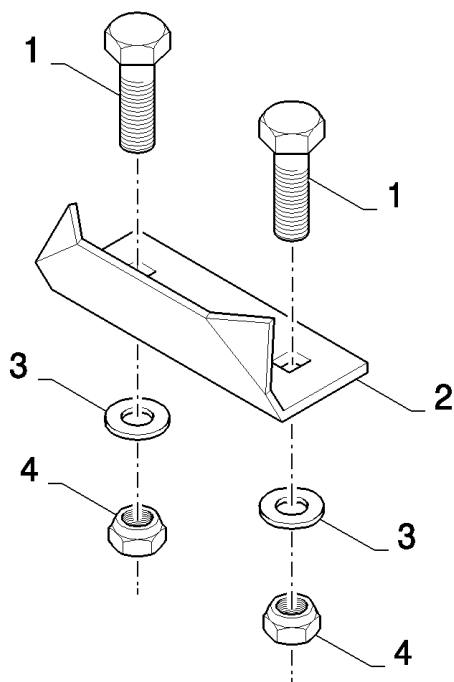
сылка	Номер детали	Кол-во	Описание
	84101707	1	DIA KIT, HARVESTER,
1	321204	2	NIPPLE, LUBE, M6 x 1, 16mm lg,
2	11068376	1	RING, SNAP, M35, Ext x 1.5 Thk,
3	84075368	1	WASHER,
4	84334829	2	DECAL,
5	84432496	1	SUPPORT, RH
6	324196	2	WASHER, 36MM
7	89831376	2	PLATE,
8	89706717	3	BOLT, Hex, M12 x 70, 8.8, Full Thd, M12
9	140085	3	WASHER, 13MM
10	424230	3	BUSHING,
11	436353	3	BUSHING,
12	140046	3	WASHER, Belleville, M12,
13	89706685	3	NUT, M12
14	338949	1	BOLT, CARRIAGE, Short NK, M10 x 25, C18.8, Full Thd,
15	332809	1	HANDLE GRIP,
16	84432646	1	DISC,
17	89832581	1	HANDLE,
18	84432367	1	SUPPORT, LH



## HIGH-CAPACITY GRAIN HEADER (1/02- )

18.84101707(02) REEL

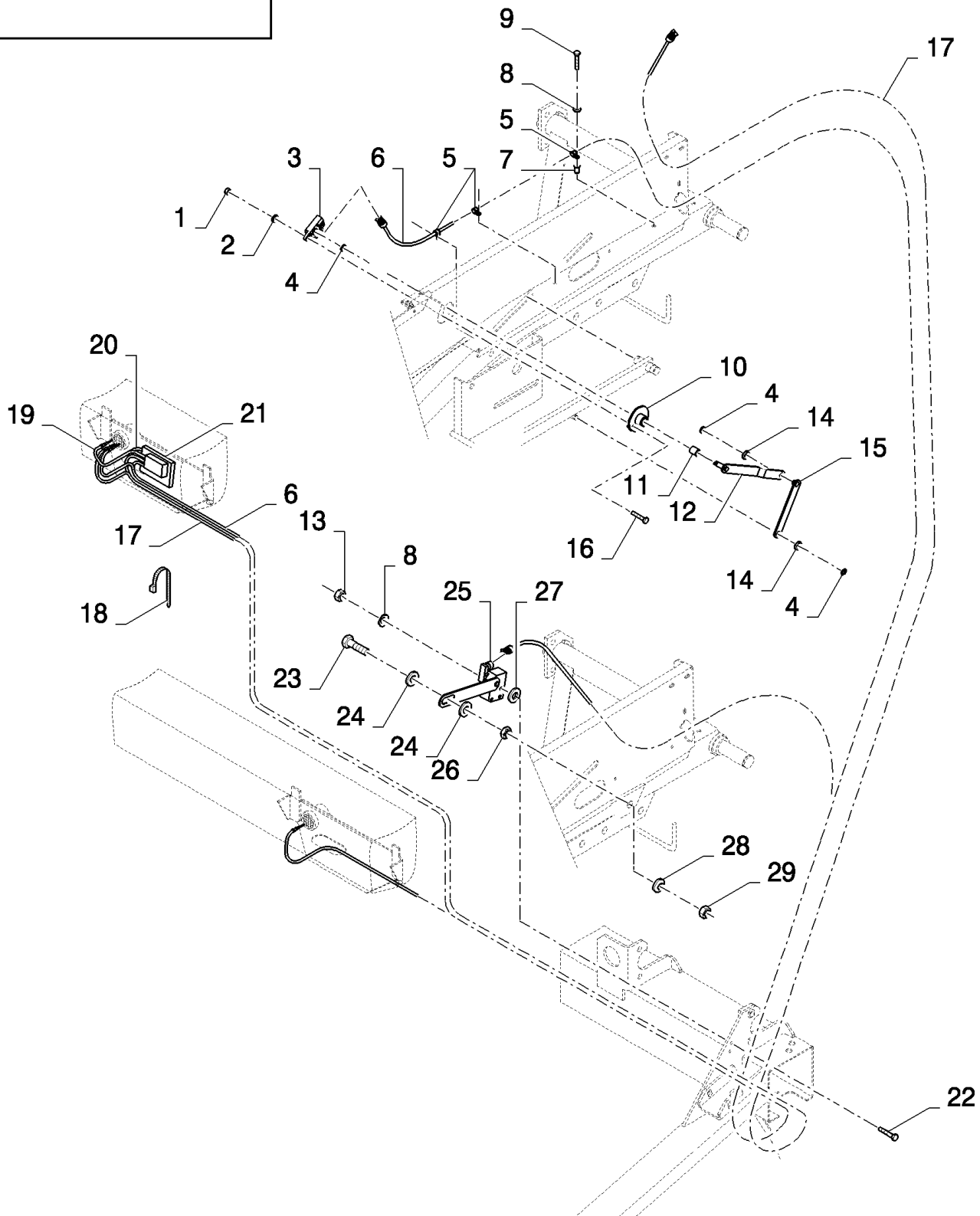
сылка	Номер детали	Кол-во	Описание
	84101707	1	DIA KIT, HARVESTER,
1	100016	27	NUT, M10, CI 8,
2	140045	27	WASHER, SPRING, Belleville, M10,
3	89832294	36	SUPPORT,
4	444211	36	WASHER, 34MM
5	300416	36	PIN, SPLIT (COTTER), M4 x 50,
6	84400172	3	DISC,
7	140042	27	WASHER, M10 x 34 x 3,
8	43138	15	SCREW, Hex, M10 x 20, 8.8, Full Thd,
9	84447151	1	REEL,
10	89814004	120	BOLT, M8x45
11	89819750	120	TINE, REEL,
12	84432677	6	TINE BAR,
13	322358	132	WASHER, SPRING, Belleville, M8,
14	89706690	132	NUT, M8, CI 8,
15	89706704	6	SCREW, M10x35
16	84432661	6	CLAMP,
17	86629542	72	NUT, LOCK, M8 x 1.25, CI 8,
18	378243	72	WASHER, M8,
19	89837586	72	BOLT, M8x20
20	16043224	24	BOLT, Hex, M8 x 16, 8.8, Full Thd,
21	84002761	1	DISC,
22	84058667	1	DISC,
23	84032737	2	DISC,
24	89838272	2	DISC,
25	140041	24	WASHER, M8 x 28 x 3,
	86503661	20	GREASE,



## HIGH-CAPACITY GRAIN HEADER (1/02- )

## 18.84110554(01) CROP DISTRIBUTION KIT

сылка	Номер детали	Кол-во	Описание
	84110554	1	CROP DISTRIBUTION KIT,
1	86512446	4	BOLT, CARRIAGE, Short NK, M10 x 30, CI8.8, Full Thd,
2	84448194	2	ANGLE,
3	140045	4	WASHER, SPRING, Belleville, M10,
4	100016	4	NUT, M10, CI 8,



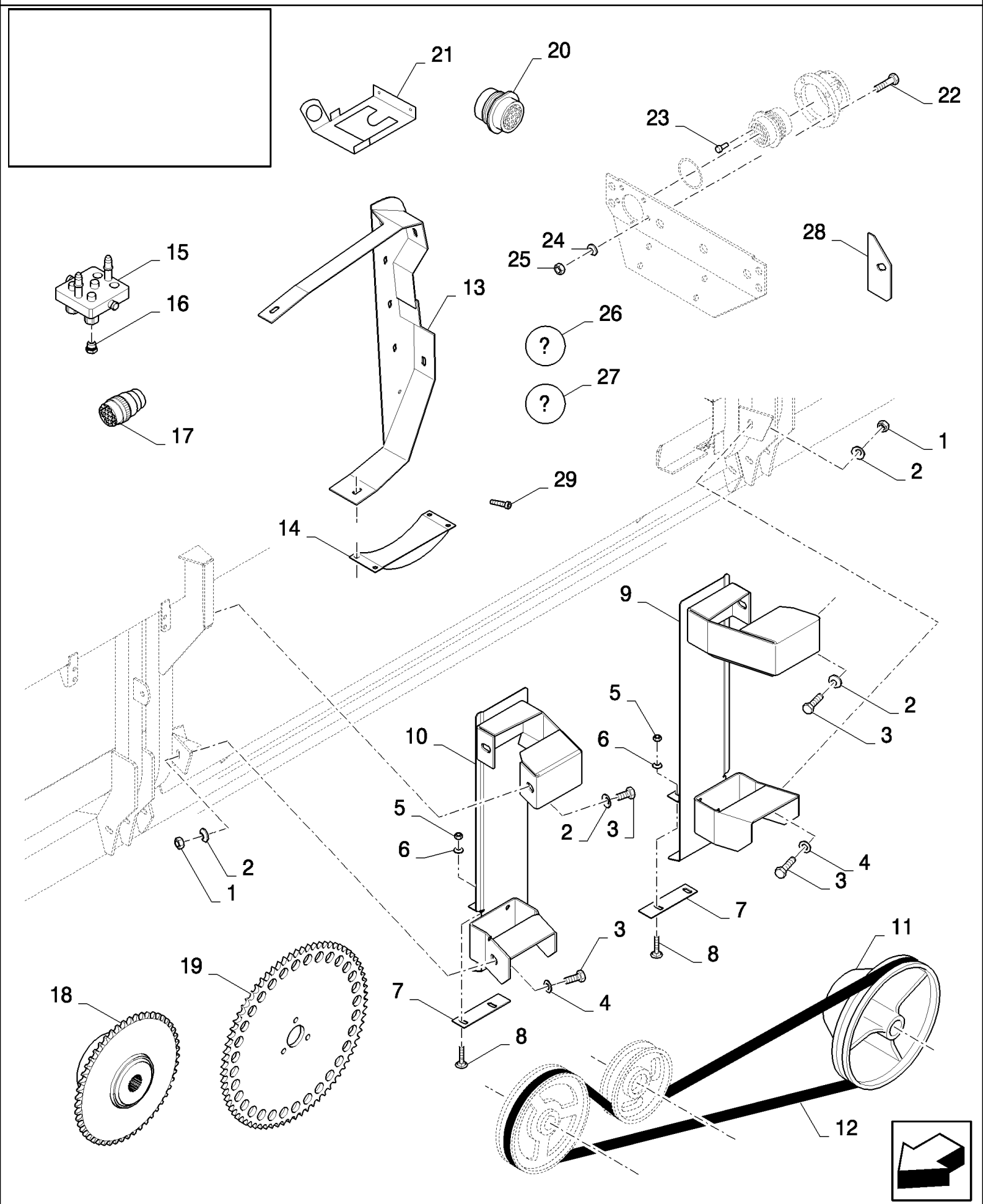
## HIGH-CAPACITY GRAIN HEADER (1/02- )

## 18.84110721(01) REEL POSITION SENSORS

сылка	Номер детали	Кол-во	Описание
	84110721	1	HEADER AUTOMATION KIT,
1	385681	2	NUT, LOCK, M4 x .7, CI 8, M4
2	322355	2	WASHER, Belleville, M4,
3	86977396	1	POTENTIOMETER,
4	86000439	3	RING, SNAP, #37, Ext,
5	89507807	3	CLAMP,
6	84454148	1	HARNESS, WIRE,
7	89833239	2	NUT,
8	322357	4	WASHER, SPRING, Belleville, M6,
9	120100	2	BOLT, Hex, M6 x 20, 8.8,
10	84449353	1	BUSHING,
11	86516740	1	BUSHING,
12	84449354	1	ARM,
13	89706755	2	NUT, M6
14	378244	2	WASHER, M10,
15	84449355	1	ARM,
16	385682	2	BOLT, Hex, M4 x 30, 8.8,
17	84454149	1	HARNESS, WIRE,
18	86566989	5	STRAP, CABLE,
19	86500036	1	PIN, ELECT TERMINAL,
20	84454142	1	HARNESS, WIRE,
21	86837775	1	RESISTOR,
22	43118	2	BOLT, Hex, M6 x 40, 8.8,
23	120090	1	SCREW, Hex, M16 x 50, 8.8,
24	140190	2	WASHER, 16MM
25	84449997	1	
26	100095	1	NUT, Thin, M16 x 2, CI 04,
27	89824259	2	WASHER, M6
28	140048	1	WASHER, SPRING, Belleville, M16,
29	100020	1	NUT, M16, CI 8,

HIGH-CAPACITY GRAIN HEADER (1/02- )

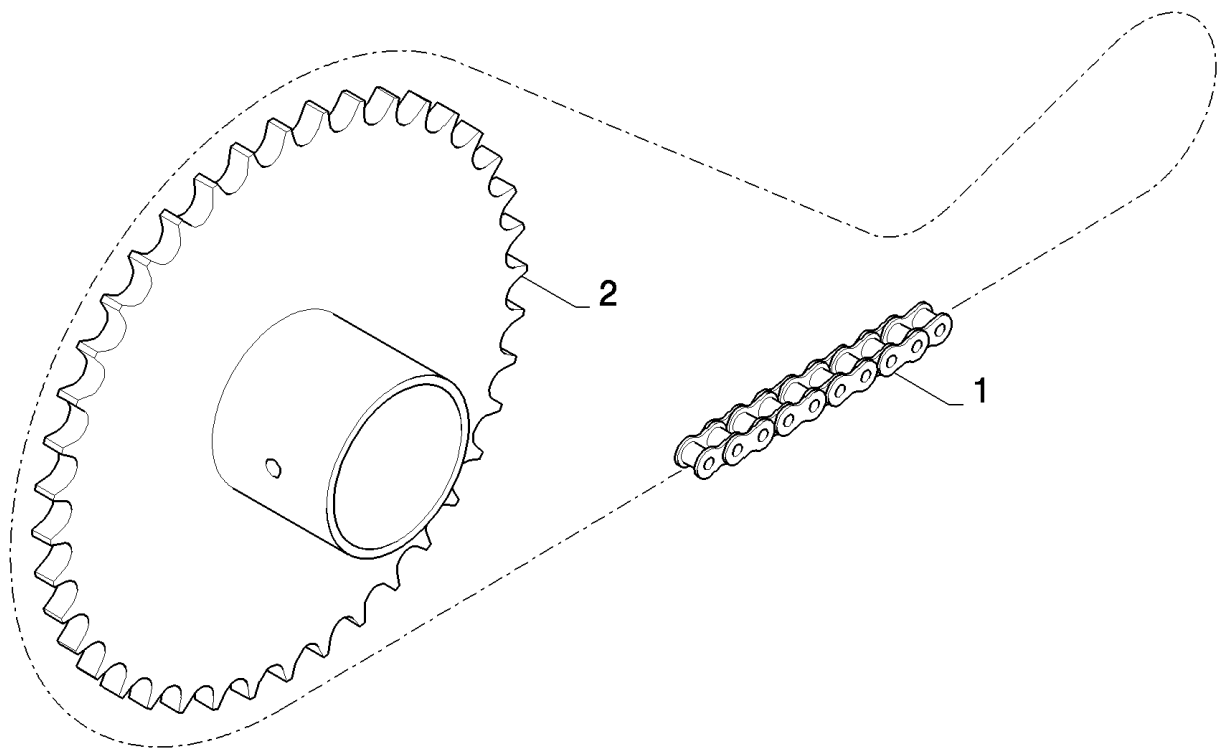
18.84110770(01) ADAPTATION KIT - WW GRAIN HEADER



## HIGH-CAPACITY GRAIN HEADER (1/02- )

## 18.84110770(01) ADAPTATION KIT - WW GRAIN HEADER

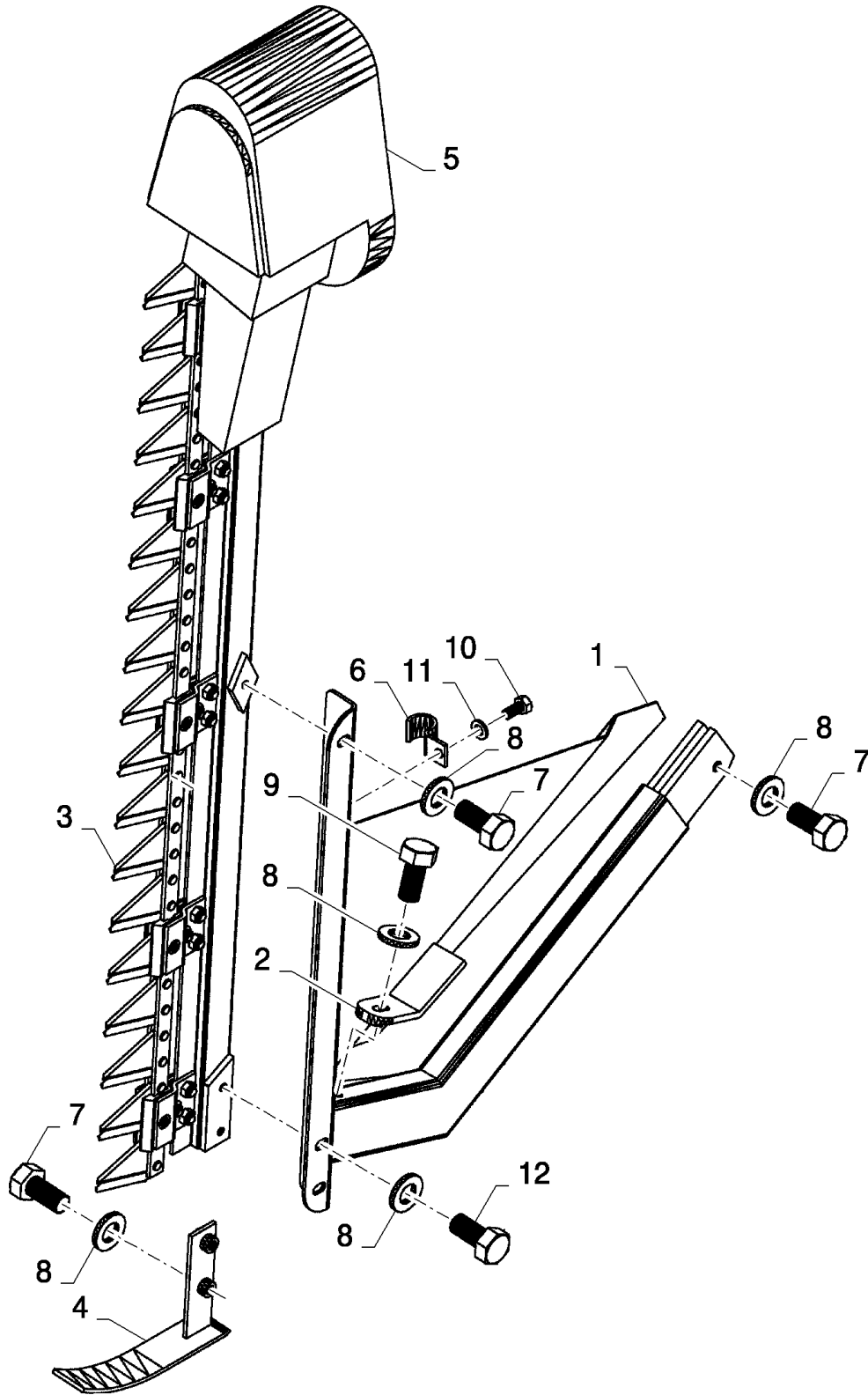
сылка	Номер детали	Кол-во	Описание
	84110770	1	DIA KIT, HARVESTER,
1	89706685	2	NUT, M12
2	140046	6	WASHER, Belleville, M12,
3	300388	6	SCREW, Hex, M12 x 25, 8.8,
4	378245	2	WASHER, M12,
5	89706690	8	NUT, M8, CI 8,
6	322358	8	WASHER, SPRING, Belleville, M8,
7	84438808	2	PLATE,
8	86507486	5	BOLT, CARRIAGE, Short NK, M8 x 20, CI8.8, Full Thd,
9	84437592	1	SUPPORT, RH
10	84437608	1	SUPPORT, LH
11	89819848	1	PULLEY,
12	84449662	1	BELT, TRANSMISSION,
13	84454628	1	PLATE,
14	84454664	1	PLATE,
15	84435011	1	COUPLING, QUICK, MALE,
16	84031333	3	CONNECTOR, HYD.,
17	84320884	1	CONNECTOR, ELEC,
18	84334859	1	CLUTCH,
19	84056483	1	SPROCKET, DRIVEN,
20	87105683	1	CAP,
21	84459469	1	BRACKET,
22	120098	5	BOLT, Hex, M5 x 20, 8.8, Full Thd,
23	84068583	25	PLUG,
24	322356	5	WASHER, 5MM
25	86508813	5	NUT, M5, CI 8,
26	900364	4	TERMINAL CONNECTOR,
27	900569	2	TERMINAL,
28	84433649	4	
29	89706749	3	SCREW, M8x25



HIGH-CAPACITY GRAIN HEADER (1/02- )

18.84113158(01) LOW RPM TINE AUGER

сылка	Номер детали	Кол-во	Описание
	84113158	1	DIA KIT, HARVESTER,
1	84058834	1	CHAIN,
2	84461197	1	SPROCKET, DRIVEN,

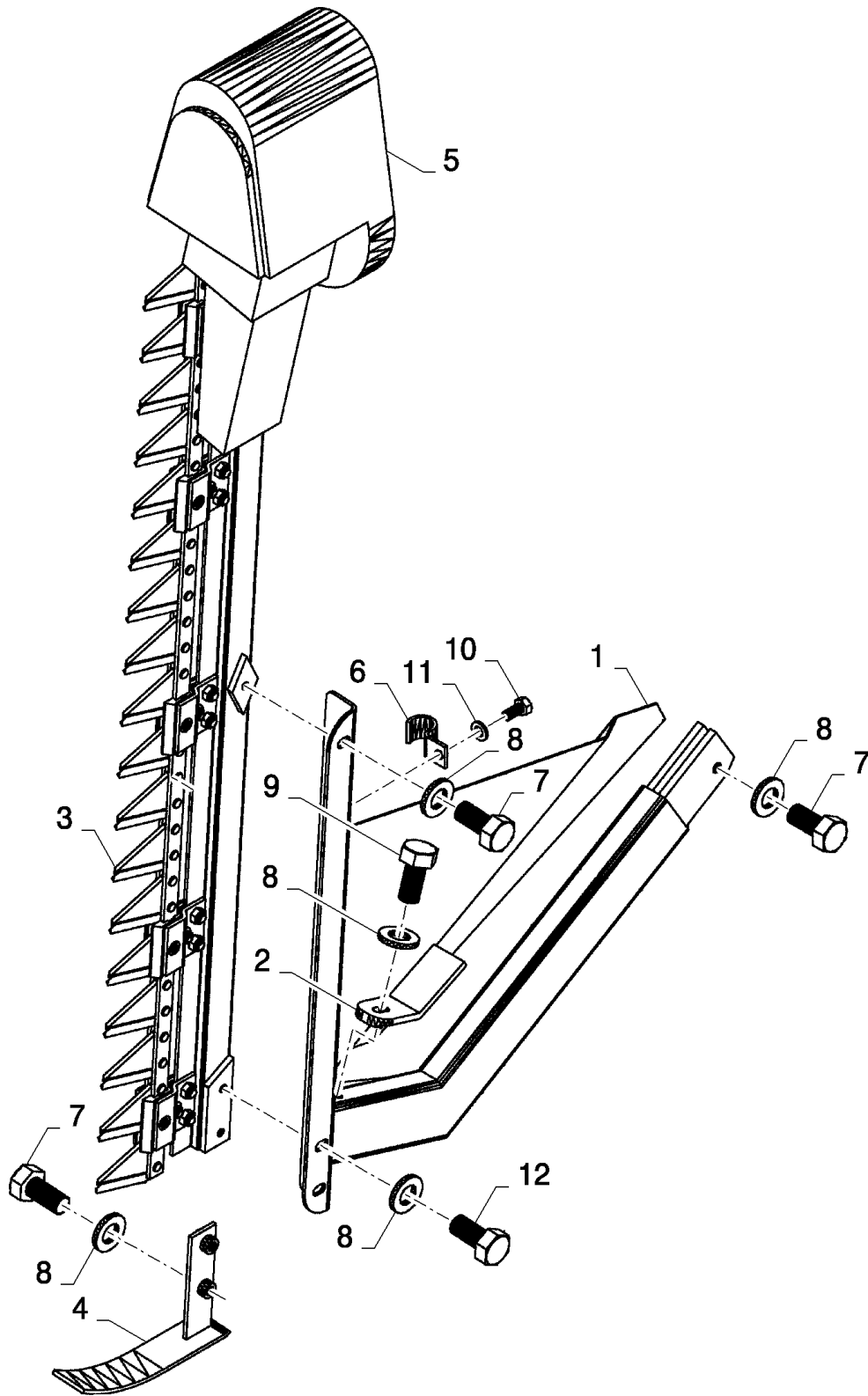


## HIGH-CAPACITY GRAIN HEADER (1/02- )

18.87393189( 01) VERTICAL RAPESEED KNIFE KIT - LH

сылка	Номер детали	Кол-во	Описание
	87393189		DIA KIT, HARVESTER,
1	87533772	1	SUPPORT,
2	87533774	1	SUPPORT,
3	87533771	1	KNIFE,
4	87533779	1	GUIDE,
5	87533780	1	HARNESS, WIRE,
6	9706748	1	CLAMP, 5/8", Insul, 5/16" Bolt,
7	300388	4	SCREW, Hex, M12 x 25, 8.8,
8	140046	7	WASHER, Belleville, M12,
9	300389	1	BOLT, Hex, M12 x 35, 8.8, Full Thd,
10	378056	1	BOLT, Hex, M6 x 10, 8.8, Full Thd,
11	322357	1	WASHER, SPRING, Belleville, M6,
12	388113	2	BOLT, Hex, M12 x 16, 8.8, Full Thd,

LEFTHAND SIDE ILLUSTRATED



## HIGH-CAPACITY GRAIN HEADER (1/02- )

18.87393191( 01) VERTICAL RAPESEED KNIFE KIT - RH

сылка	Номер детали	Кол-во	Описание
	87393191		DIA KIT, HARVESTER,
1	87533782	1	SUPPORT,
2	87533774	1	SUPPORT,
3	87533781	1	KNIFE,
4	87533779	1	GUIDE,
5	87533780	1	HARNESS, WIRE,
6	9706748	1	CLAMP, 5/8", Insul, 5/16" Bolt,
7	300388	8	SCREW, Hex, M12 x 25, 8.8,
8	140046	11	WASHER, Belleville, M12,
9	300389	1	BOLT, Hex, M12 x 35, 8.8, Full Thd,
10	378056	1	BOLT, Hex, M6 x 10, 8.8, Full Thd,
11	322357	4	WASHER, SPRING, Belleville, M6,
12	388113	2	BOLT, Hex, M12 x 16, 8.8, Full Thd,
13	87533784	1	SUPPORT,
14	87533785	1	SUPPORT,
15	87642882	2	BRACKET,
16	9706755	3	NUT, M6, CI 8,

**ART**

**NOT**

**AVAILABLE**

## HIGH-CAPACITY GRAIN HEADER (1/02- )

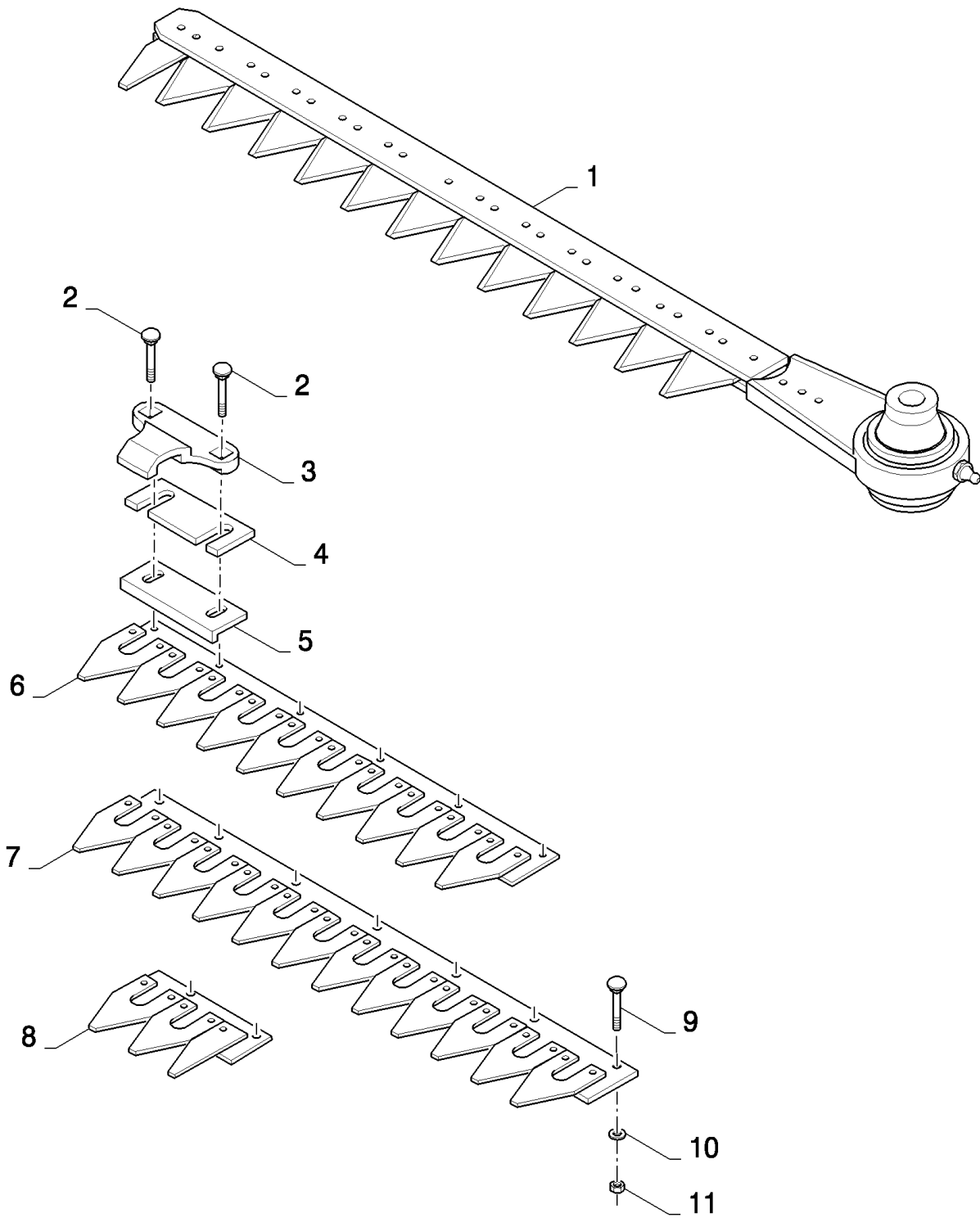
18.87659580( 01) VERTICAL RAPESEED KNIFE KIT

сылка	Номер детали	Кол-во	Описание
	87659580		
1	87623137	1	
2	87533779	2	
3	300388	12	
4	140046	18	
5	87623139	2	
6	87678237	2	
7	86592082	4	
8	86592081	4	
9	211269	8	
10	87533782	1	
11	388113	4	
12	87533774	2	
13	300389	2	
14	87678246	2	
15	43117	2	
16	322357	9	
17	87533784	1	
18	87533785	1	
19	86512439	3	
20	353308	14	
21	87678250	5	
22	430356	8	
23	84814948	4	
24	87678254	3	
25	120056	4	
26	434106	1	
27	140040	1	
28	87642882	2	
29	9513719	10	
30	150018	12	
31	150015	20	
32	100043	20	
33	430357	20	
34	431941	10	
35	434097	8	
36	86977789	8	
37	87678255	1	
38	87678256	1	
39	87623150	1	
40	10205810	1	
41	87623153	1	
42	86508817	1	
43	87389396	1	

## HIGH-CAPACITY GRAIN HEADER (1/02- )

18.87659580( 01) VERTICAL RAPESEED KNIFE KIT

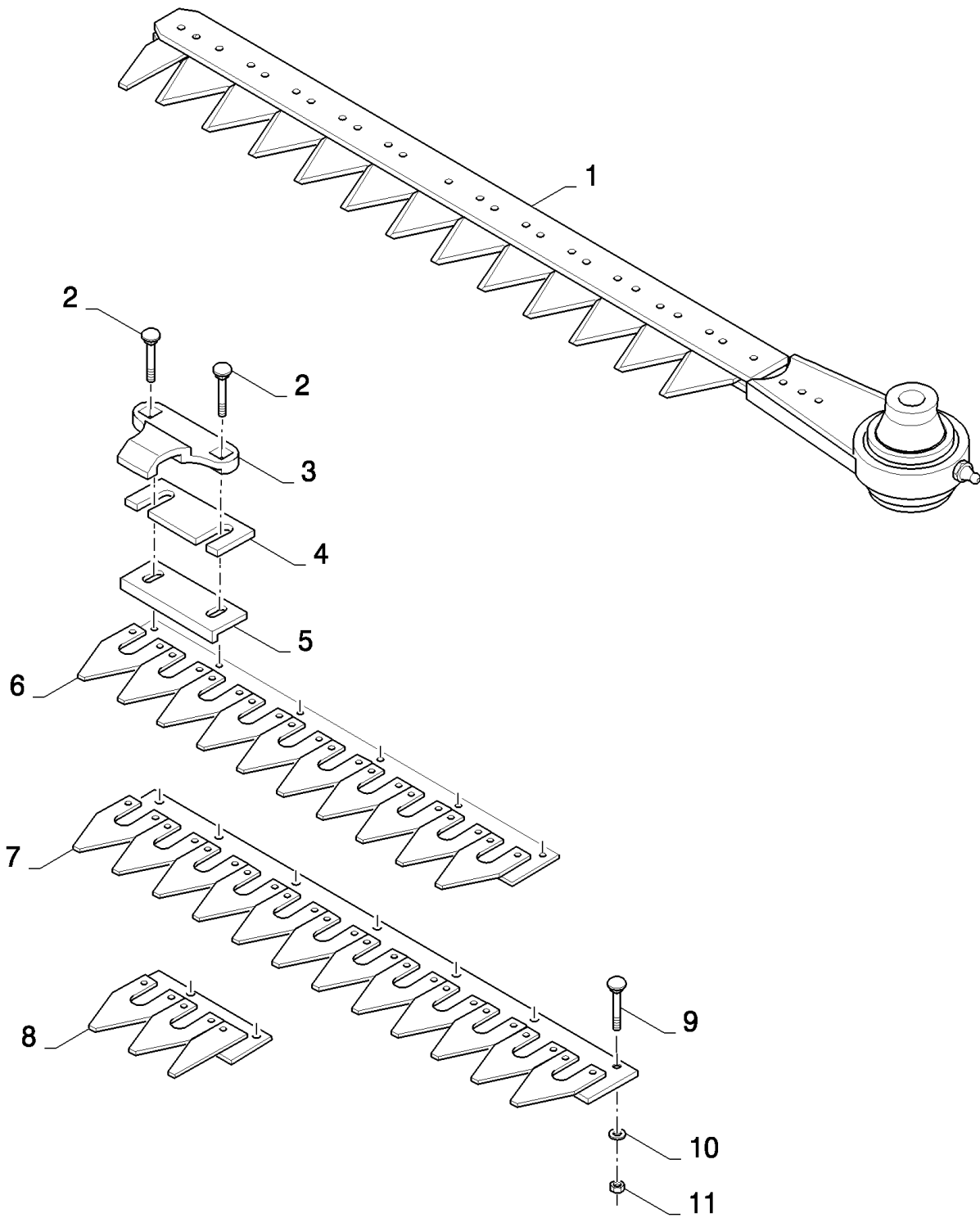
сылка	Номер детали	Кол-во	Описание
44	87623151	1	
45	14442221	4	
46	9706690	10	
47	322358	10	
48	80120041	2	
49	100016	2	
50	140045	4	
51	87678257	1	
52	87678258	1	
53	87678259	1	
54	87678261	1	
55	43138	2	
56	120104	6	
57	87623152	1	
58	87623154	1	
59	87678265	1	
60	9814768	1	
61	9507712	1	
62	360872	2	
63	87678266	2	
64	87678267	2	
65	291186	0,6	
66	87623135	1	
67	87623140	2	
68	87533772	1	
69	87678270	1	
70	87678271	1	



## HIGH-CAPACITY GRAIN HEADER (1/02- )

18.89560160(01) RICE KNIFE KIT

сылка	Номер детали	Кол-во	Описание
	89560160	1	DIA KIT, HARVESTER,
1	89508737	2	KNIFE, L=6134MM
2	374892	38	BOLT, CARRIAGE, Short NK, M10 x 40, CI8.8, Full Thd,
3	89508725	19	CLIP, KNIFE,
4	482769	38	PLATE, ADJUSTING,
5	89508727	19	GUIDE, KNIFE,
6	89508721	1	KNIFE SECTION,
7	89508718	9	KNIFE SECTION,
8	89508720	1	
9	86512446	43	BOLT, CARRIAGE, Short NK, M10 x 30, CI8.8, Full Thd,
10	140045	81	WASHER, SPRING, Belleville, M10,
11	100016	81	NUT, M10, CI 8,



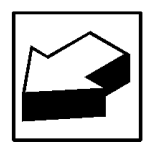
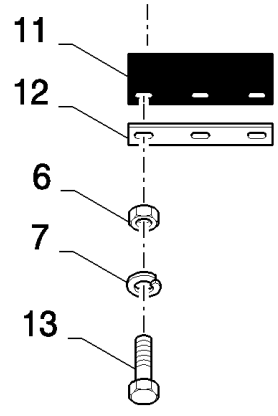
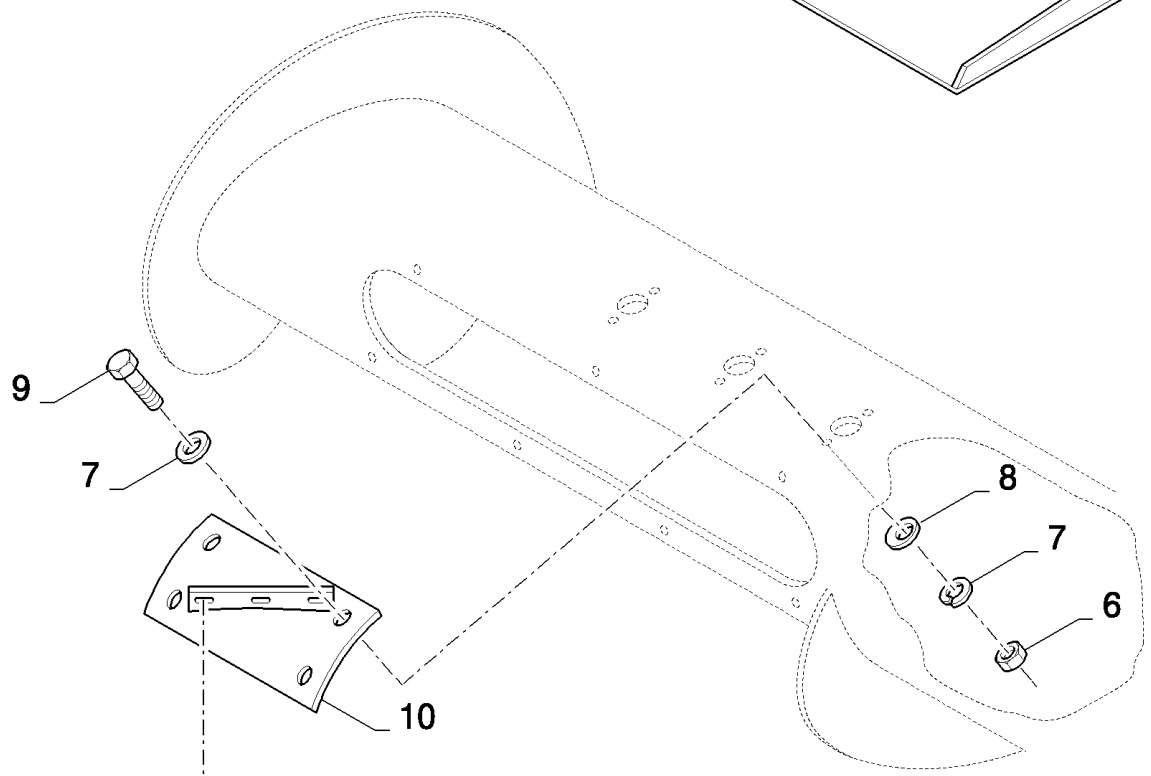
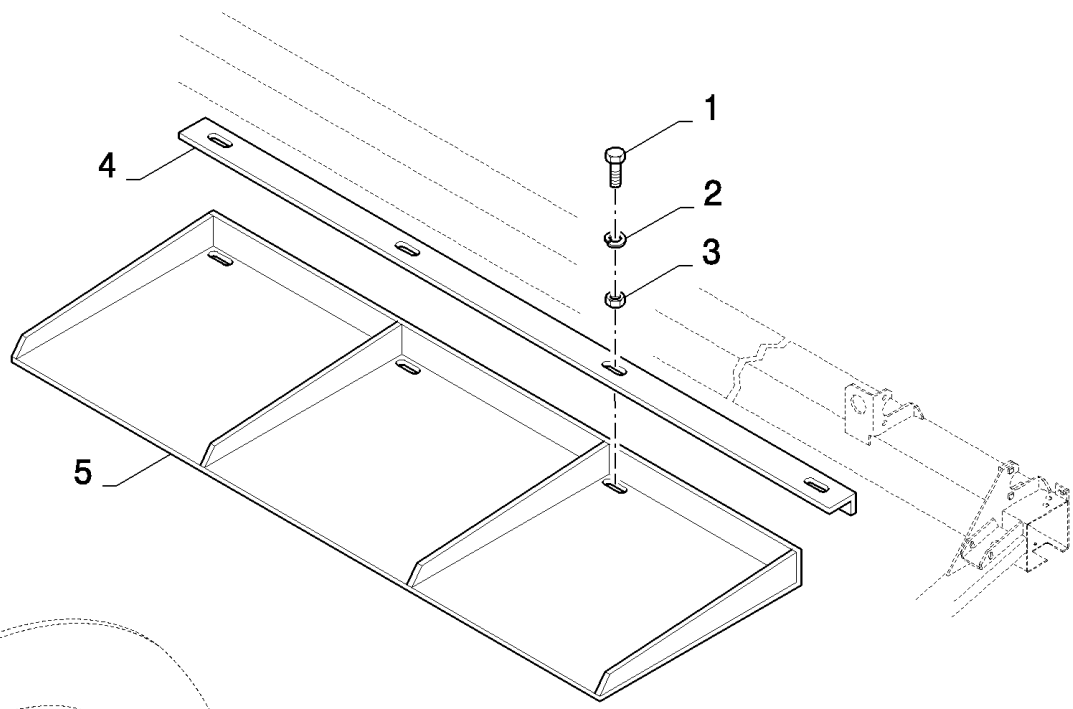
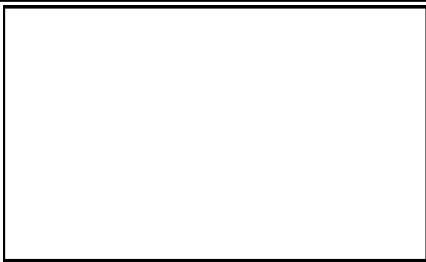
## HIGH-CAPACITY GRAIN HEADER (1/02- )

18.89560161(01) RICE KNIFE KIT

сылка	Номер детали	Кол-во	Описание
	89560161	1	DIA KIT, HARVESTER,
1	89508738	2	KNIFE, L=7353MM
2	374892	46	BOLT, CARRIAGE, Short NK, M10 x 40, CI8.8, Full Thd,
3	89508725	23	CLIP, KNIFE,
4	482769	47	PLATE, ADJUSTING,
5	89508727	24	GUIDE, KNIFE,
6	89508721	1	KNIFE SECTION,
7	89508718	11	KNIFE SECTION,
8	89508720	1	
9	86512446	51	BOLT, CARRIAGE, Short NK, M10 x 30, CI8.8, Full Thd,
10	140045	97	WASHER, SPRING, Belleville, M10,
11	100016	97	NUT, M10, CI 8,

HIGH-CAPACITY GRAIN HEADER (1/02- )

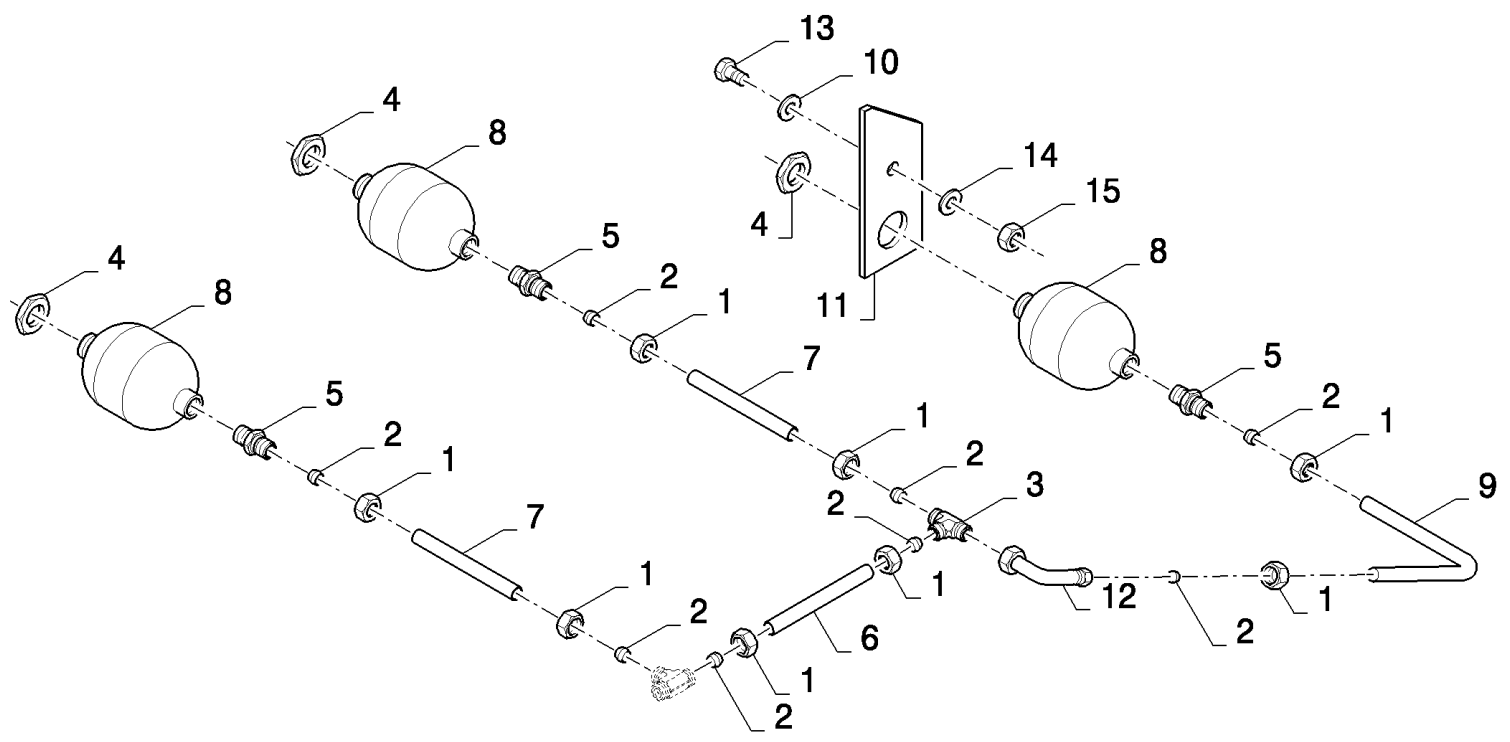
18.89560192(01) SWEEPERS



## HIGH-CAPACITY GRAIN HEADER (1/02- )

18.89560192(01) SWEEPERS

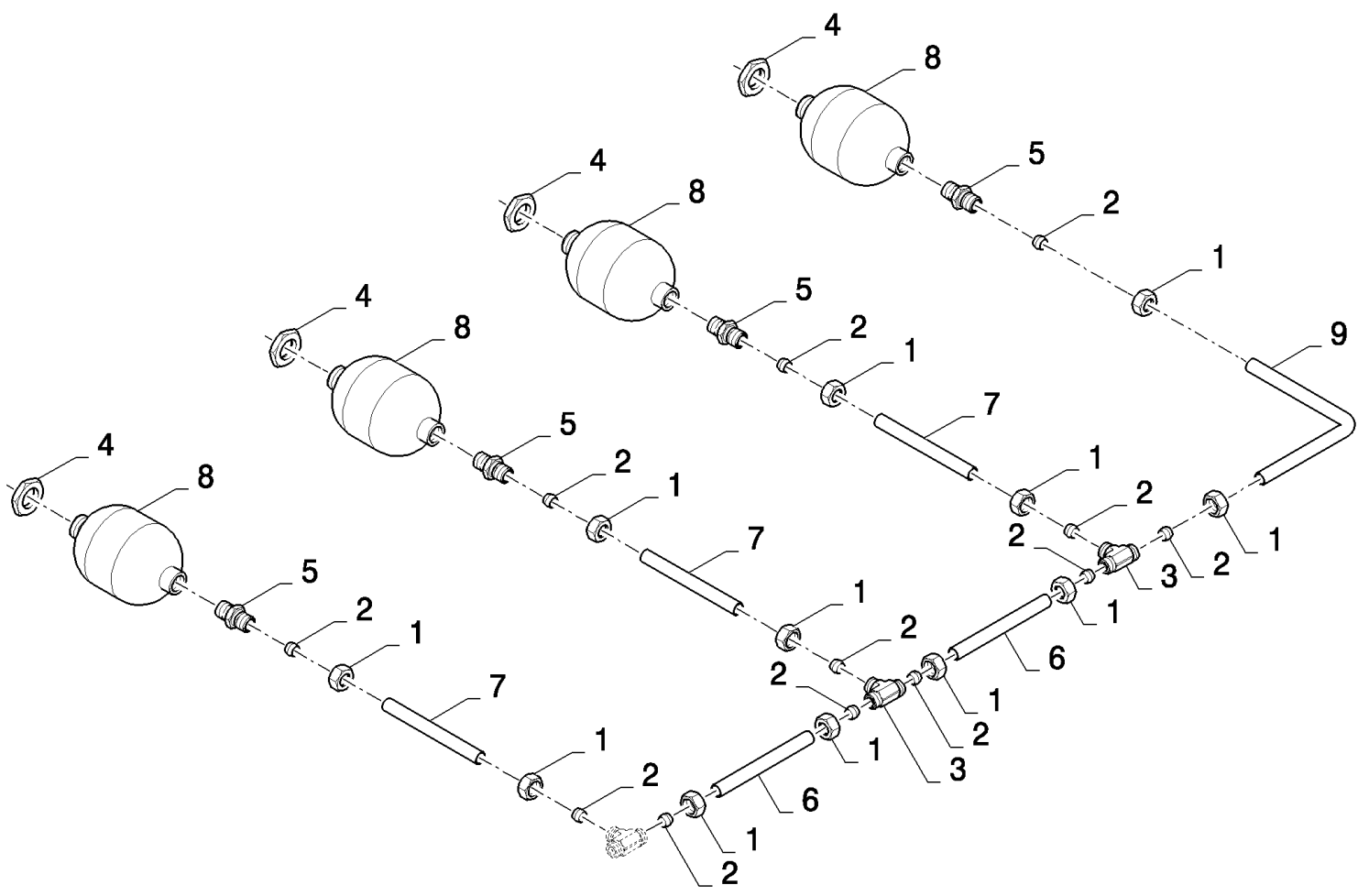
сылка	Номер детали	Кол-во	Описание
	89560192	1	DIA KIT, HARVESTER,
1	43138	4	SCREW, Hex, M10 x 20, 8.8, Full Thd,
2	140045	4	WASHER, SPRING, Belleville, M10,
3	100016	4	NUT, M10, CI 8,
4	89508483	1	BAR PLATE,
5	356580	1	GUARD,
6	89706755	49	NUT, M6
7	322357	77	WASHER, SPRING, Belleville, M6,
8	140040	28	WASHER, M6 x 22 x 2,
9	86508568	28	SCREW, Hex, M6 x 16, 8.8,
10	89593115	4	SUPPORT, LH
10	89593113	3	SUPPORT, RH
11	80190149	7	CANVAS,
12	488394	7	PLATE,
13	43117	21	BOLT, Hex, M6 x 30, 8.8,



## HIGH-CAPACITY GRAIN HEADER (1/02- )

18.89810498(01) ACCUMULATOR - TC54 - 80 BAR

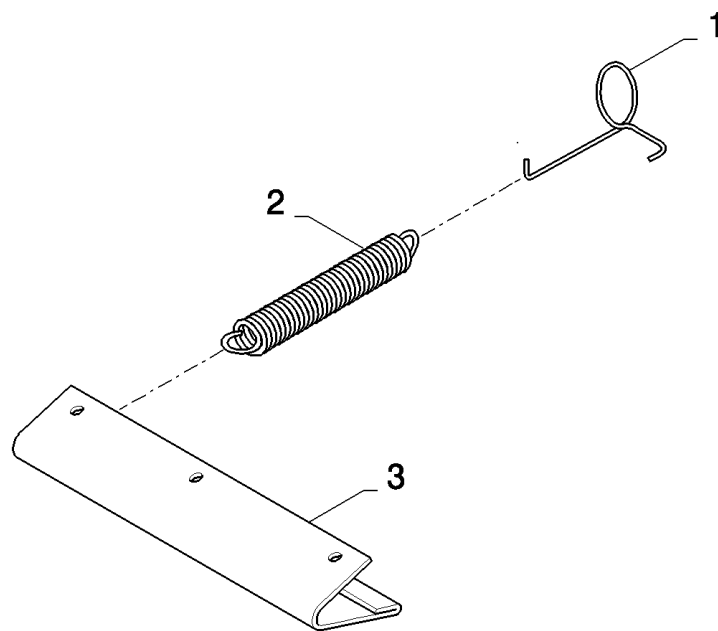
сылка	Номер детали	Кол-во	Описание
	89810498	1	DIA KIT, HARVESTER,
1	86548976	8	NUT, M12
2	150015	8	FERRULE,
3	150019	1	CONNECTION, 3 WAY,
4	308823	3	NUT, M28 x 1.5, CI 8,
5	395782	3	CONNECTOR, HYD.,
6	446430	1	TUBE, HYD,
7	918855	2	TUBE, HYD,
8	84018412	3	ACCUMULATOR,
9	84026604	1	TUBE, HYD,
10	327084	1	WASHER,
11	84026603	1	SUPPORT,
12	89508529	1	ELBOW,
13	43140	1	BOLT, Hex, M10 x 30, 8.8, Full Thd,
14	140045	1	WASHER, SPRING, Belleville, M10,
15	100016	1	NUT, M10, CI 8,



## HIGH-CAPACITY GRAIN HEADER (1/02- )

18.89816047(01) ACCUMULATOR - TC56 - 80 BAR

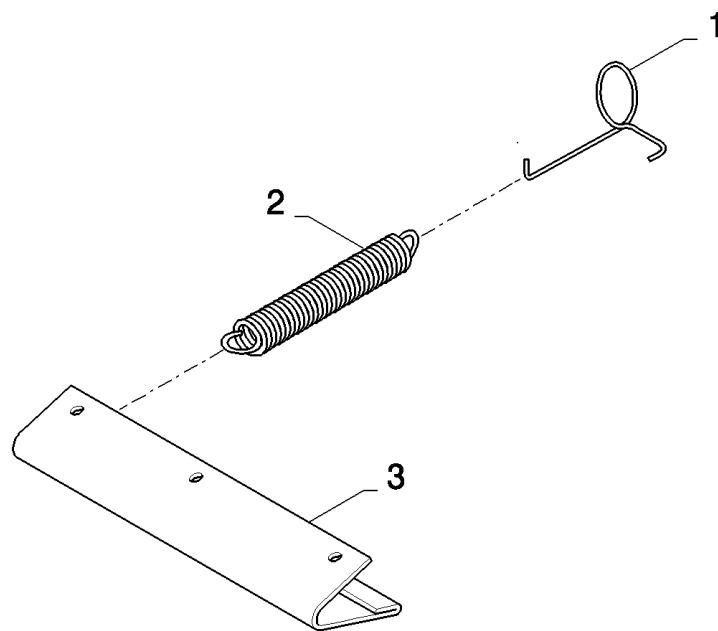
сылка	Номер детали	Кол-во	Описание
	89816047	1	DIA KIT, HARVESTER,
1	86548976	12	NUT, M12
2	150015	12	FERRULE,
3	150019	2	CONNECTION, 3 WAY,
4	308823	4	NUT, M28 x 1.5, CI 8,
5	395782	4	CONNECTOR, HYD.,
6	446430	2	TUBE, HYD,
7	918855	3	TUBE, HYD,
8	84018412	4	ACCUMULATOR,
9	918816	1	TUBE, HYD,



## HIGH-CAPACITY GRAIN HEADER (1/02- )

## 18.89836179(01) KNIFE PROTECTION

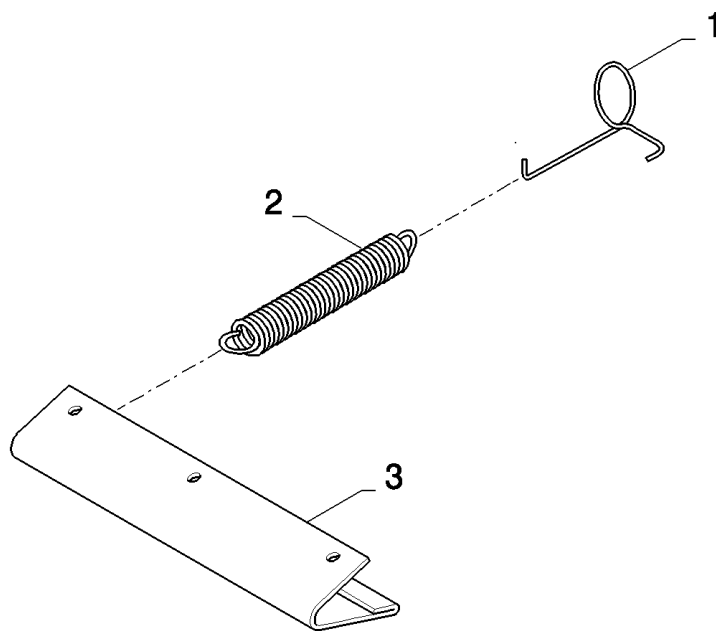
сылка	Номер детали	Кол-во	Описание
	89836179	1	DIA KIT, HARVESTER,
1	89837015	4	HOOK,
2	84814908	4	SPRING,
3	89838588	3	PROTECTION PLATE,



## HIGH-CAPACITY GRAIN HEADER (1/02- )

## 18.89836180(01) KNIFE PROTECTION

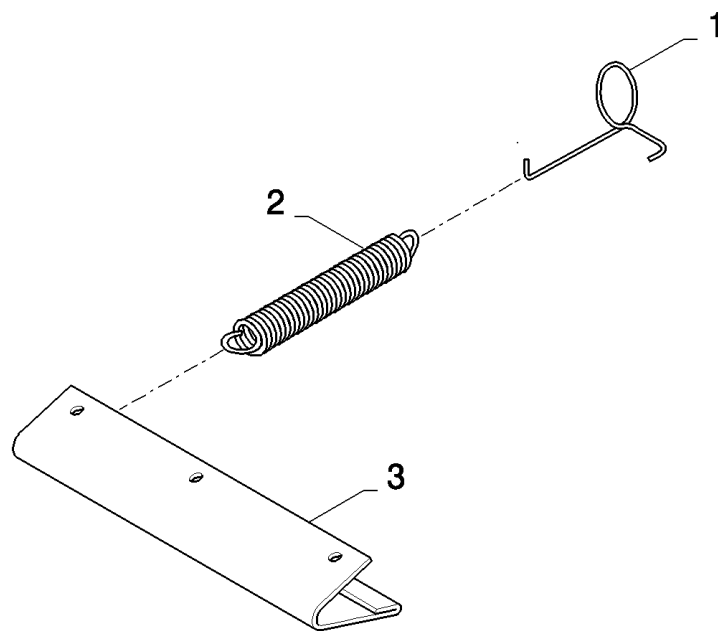
сылка	Номер детали	Кол-во	Описание
	89836180	1	DIA KIT, HARVESTER,
1	89837015	5	HOOK,
2	84814908	5	SPRING,
3	89838588	4	PROTECTION PLATE,



## HIGH-CAPACITY GRAIN HEADER (1/02- )

## 18.89836181(01) KNIFE PROTECTION

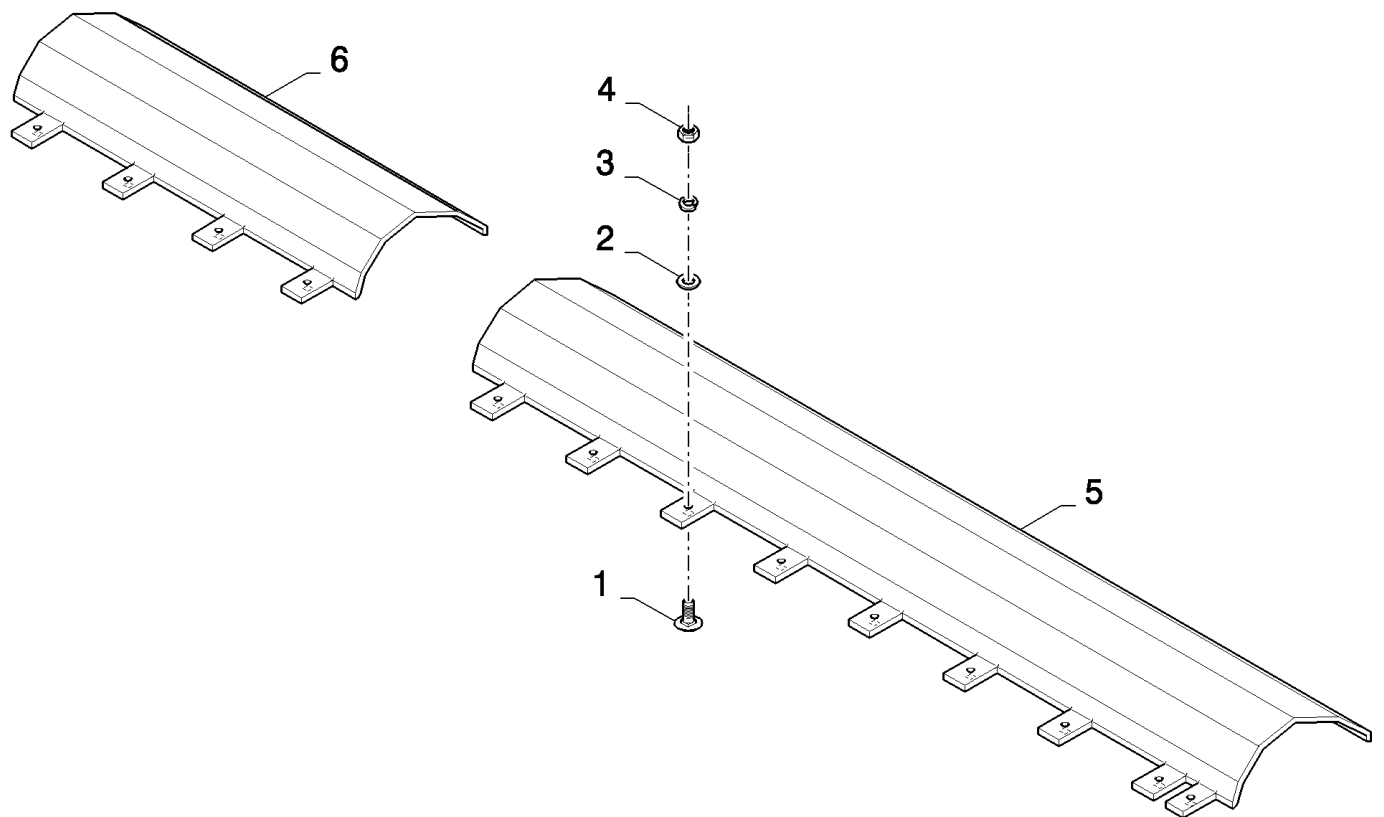
сылка	Номер детали	Кол-во	Описание
	89836181	1	DIA KIT, HARVESTER,
1	89837015	6	HOOK,
2	84814908	6	SPRING,
3	89838588	5	PROTECTION PLATE,



## HIGH-CAPACITY GRAIN HEADER (1/02- )

## 18.89836182(01) KNIFE PROTECTION

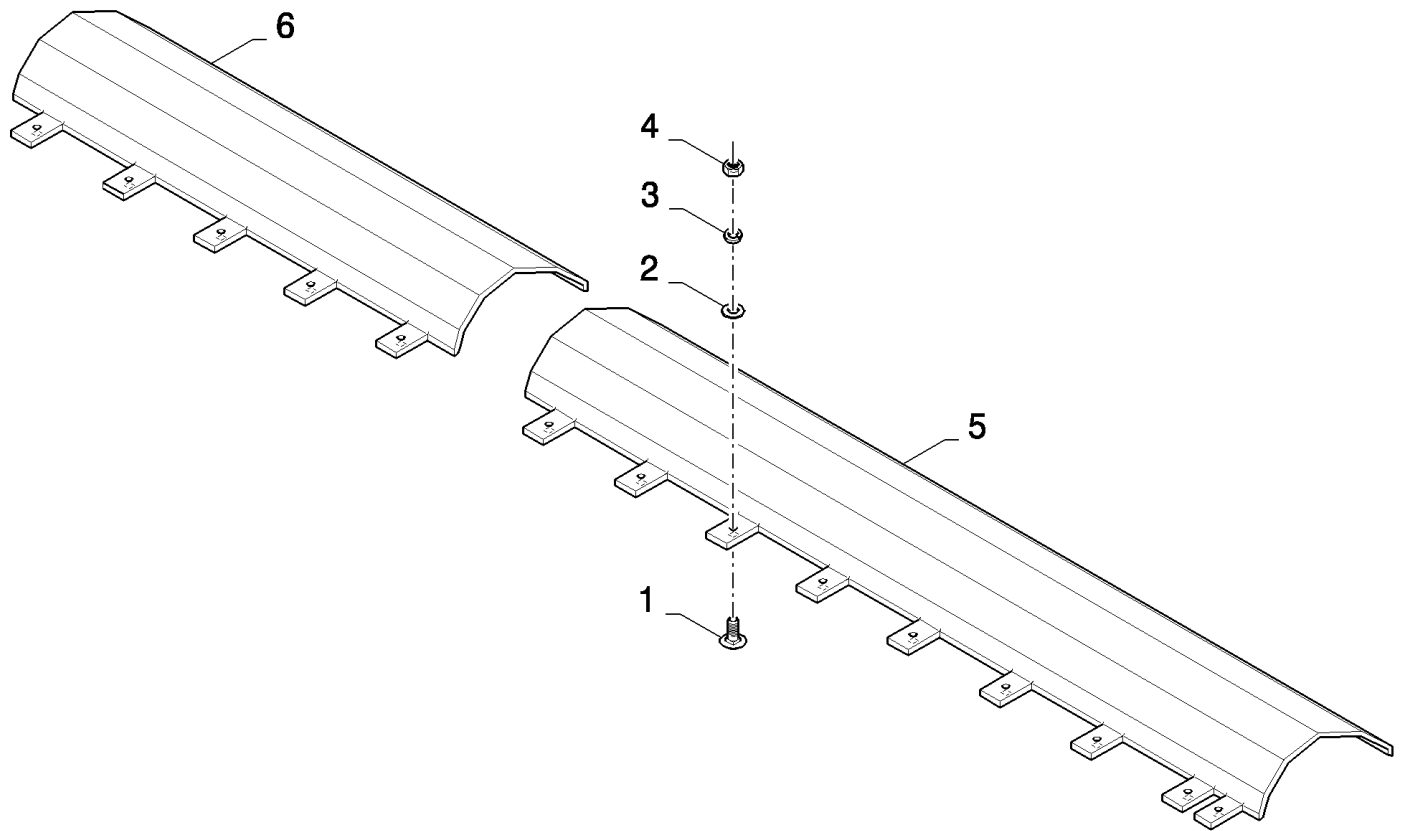
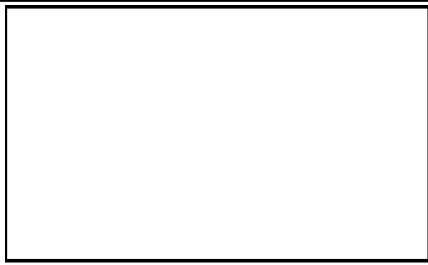
сылка	Номер детали	Кол-во	Описание
	89836182	1	DIA KIT, HARVESTER,
1	89837015	7	HOOK,
2	84814908	7	SPRING,
3	89838588	6	PROTECTION PLATE,



## HIGH-CAPACITY GRAIN HEADER (1/02- )

## 18.89836576(01) STONE PROTECTION

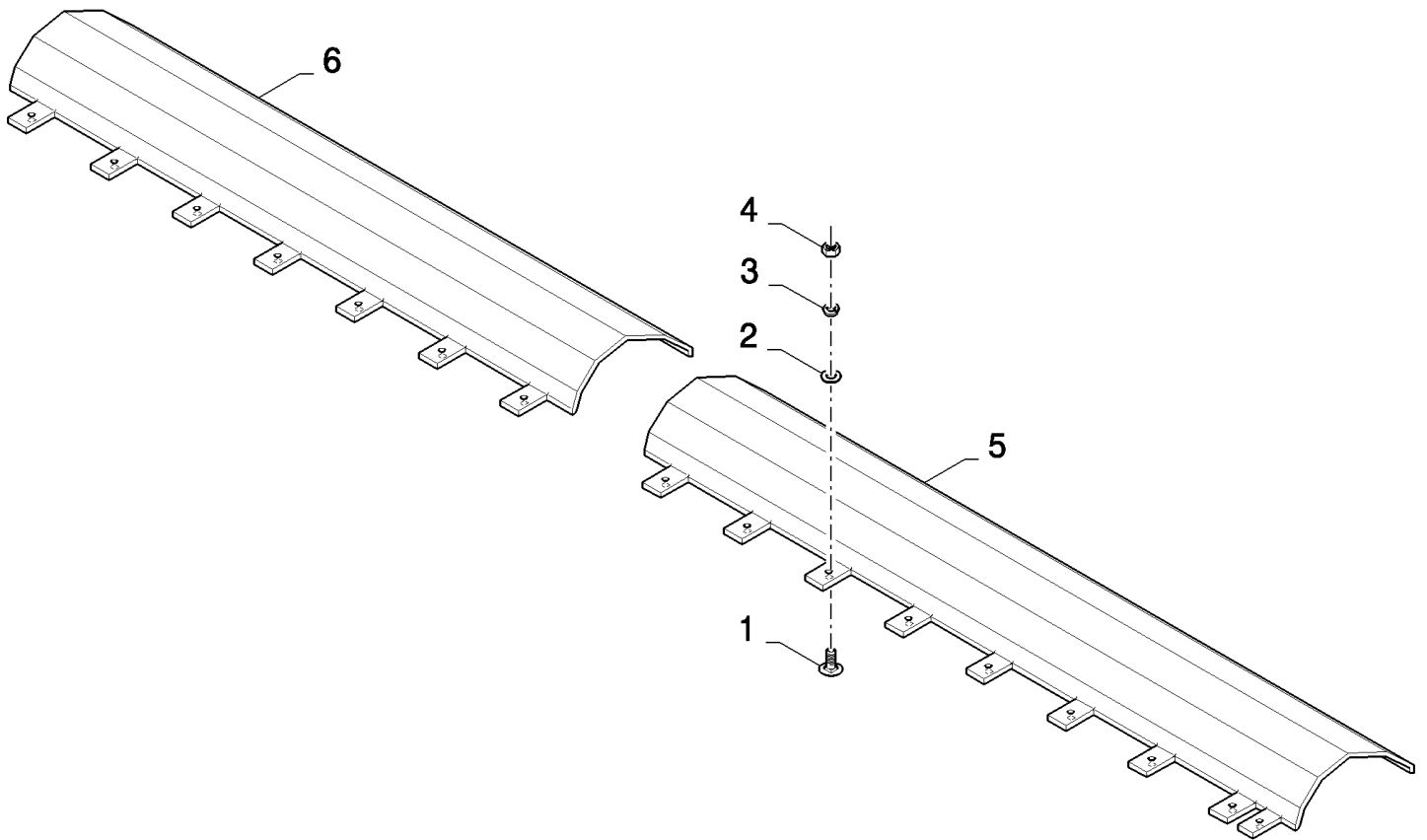
сылка	Номер детали	Кол-во	Описание
	89836576	1	DIA KIT, HARVESTER,
1	86507486	13	BOLT, CARRIAGE, Short NK, M8 x 20, CI8.8, Full Thd,
2	140041	13	WASHER, M8 x 28 x 3,
3	322358	13	WASHER, SPRING, Belleville, M8,
4	9706690	13	NUT, M8, CI 8,
5	89838339	1	PROFILE,
6	89838341	1	PROFILE,



## HIGH-CAPACITY GRAIN HEADER (1/02- )

## 18.89836577(01) STONE PROTECTION

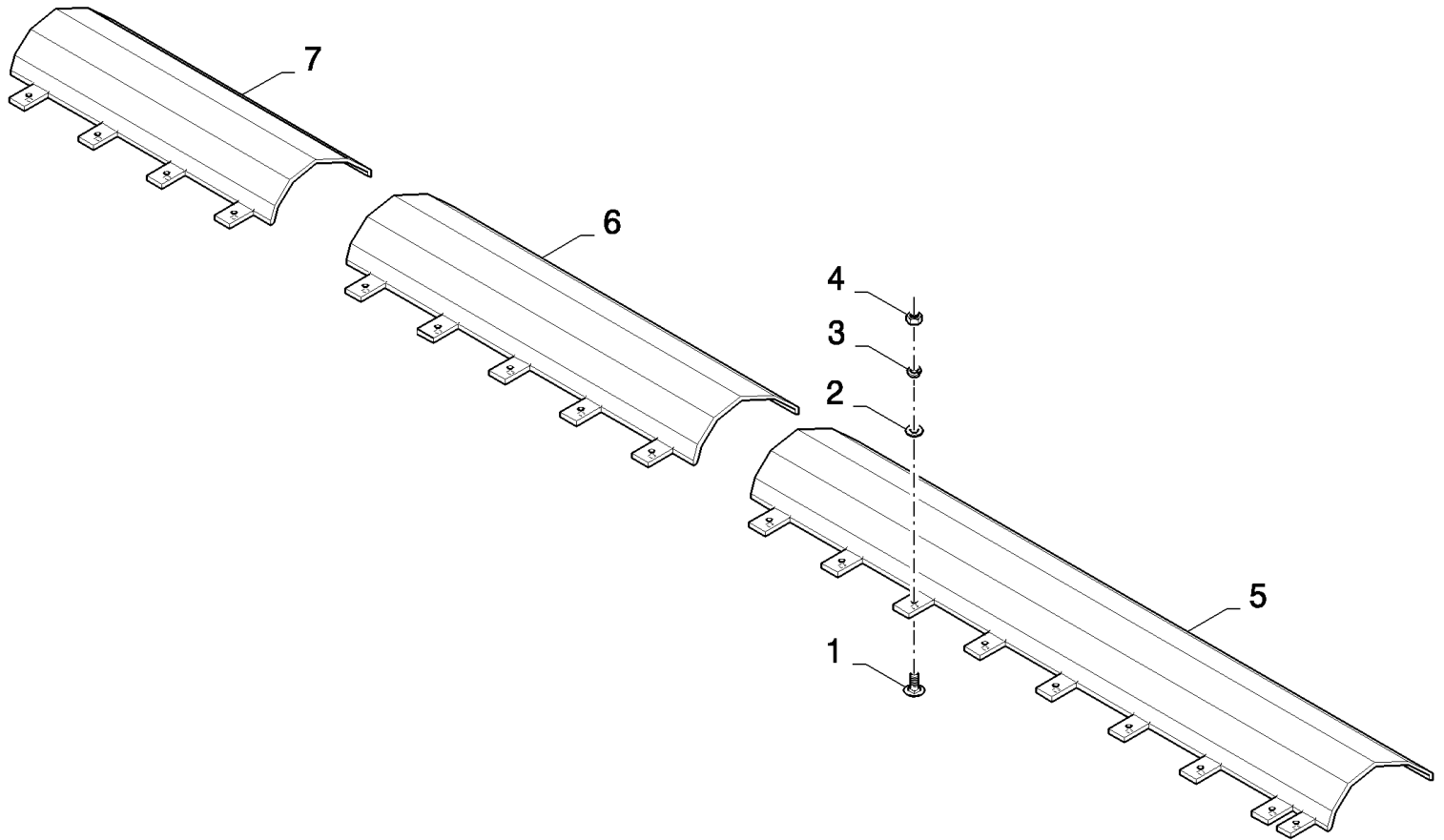
сылка	Номер детали	Кол-во	Описание
	89836577	1	DIA KIT, HARVESTER,
1	86507486	14	BOLT, CARRIAGE, Short NK, M8 x 20, CI8.8, Full Thd,
2	140041	14	WASHER, M8 x 28 x 3,
3	322358	14	WASHER, SPRING, Belleville, M8,
4	9706690	14	NUT, M8, CI 8,
5	89838339	1	PROFILE,
6	89838342	1	PROFILE,



## HIGH-CAPACITY GRAIN HEADER (1/02- )

## 18.89836578(01) STONE PROTECTION

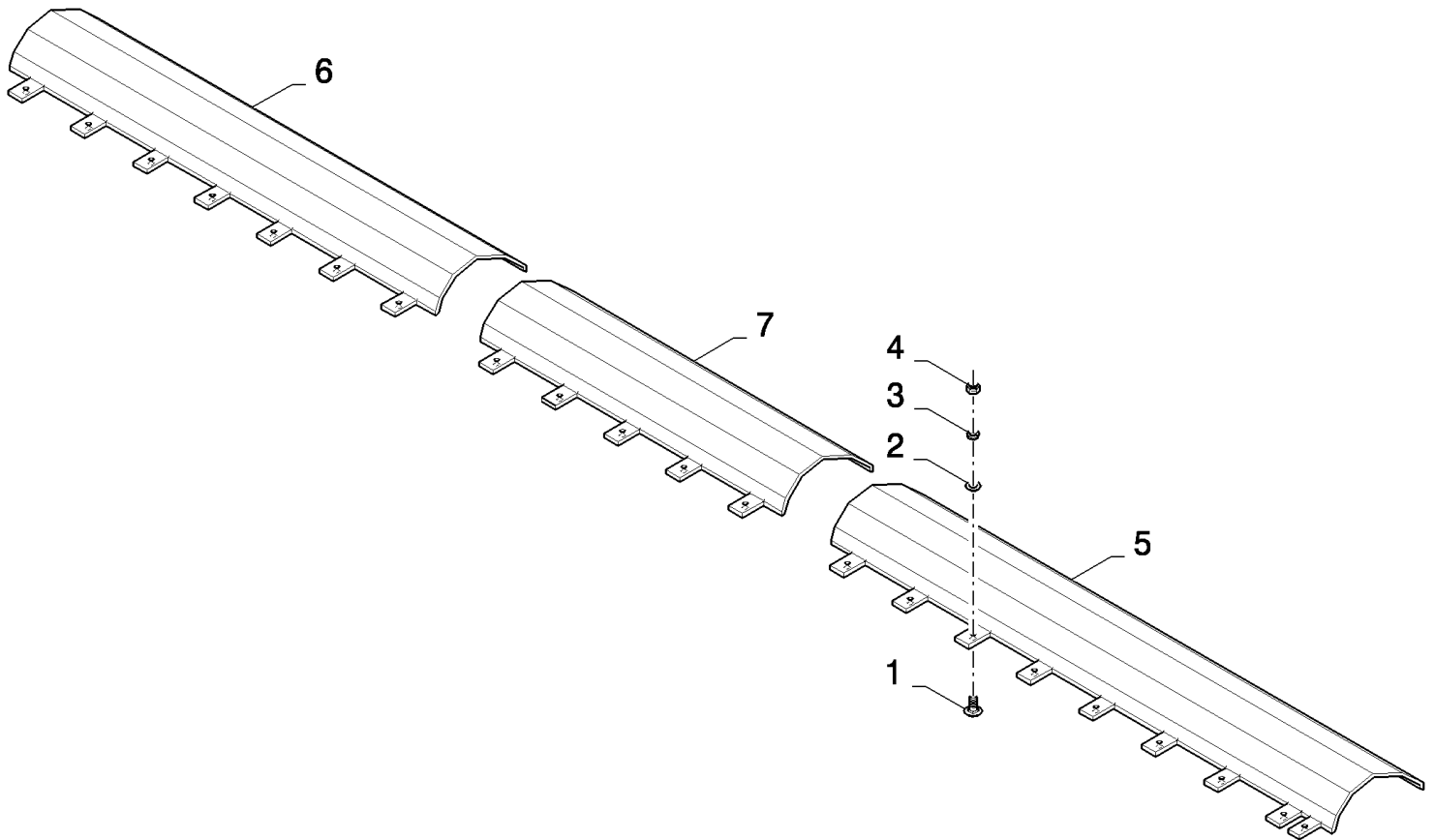
сылка	Номер детали	Кол-во	Описание
	89836578	1	DIA KIT, HARVESTER,
1	86507486	16	BOLT, CARRIAGE, Short NK, M8 x 20, CI8.8, Full Thd,
2	140041	16	WASHER, M8 x 28 x 3,
3	322358	16	WASHER, SPRING, Belleville, M8,
4	9706690	16	NUT, M8, CI 8,
5	89838339	1	PROFILE,
6	89838343	1	PROFILE,



## HIGH-CAPACITY GRAIN HEADER (1/02- )

## 18.89836579(01) STONE PROTECTION

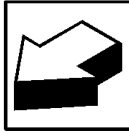
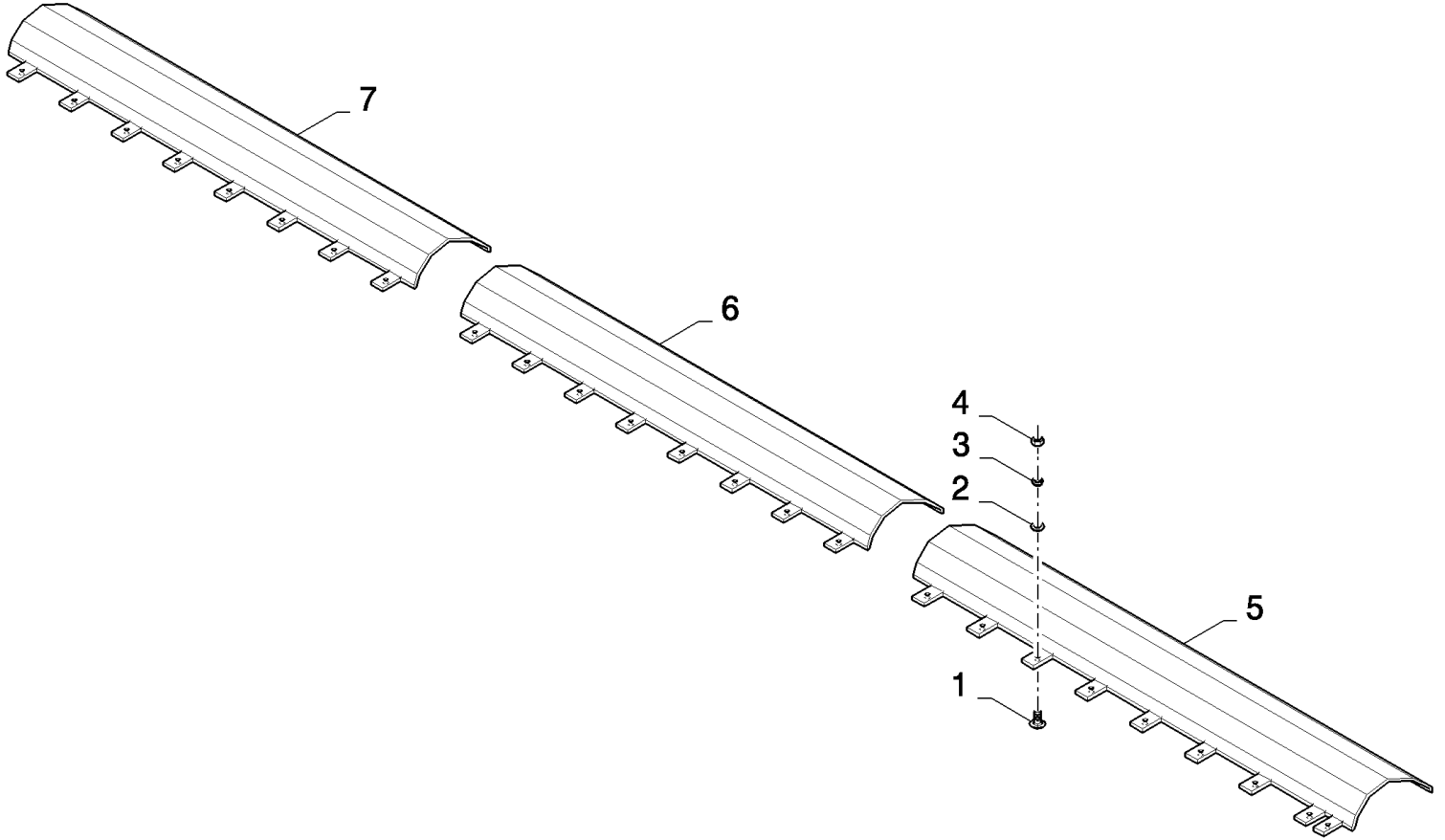
сылка	Номер детали	Кол-во	Описание
	89836579	1	STONE PROTECTION,
1	86507486	18	BOLT, CARRIAGE, Short NK, M8 x 20, CI8.8, Full Thd,
2	140041	18	WASHER, M8 x 28 x 3,
3	322358	18	WASHER, SPRING, Belleville, M8,
4	9706690	18	NUT, M8, CI 8,
5	89838339	1	PROFILE,
6	89838344	1	PROFILE,
7	89838341	1	PROFILE,



## HIGH-CAPACITY GRAIN HEADER (1/02- )

## 18.89836580(01) STONE PROTECTION

сылка	Номер детали	Кол-во	Описание
	89836580	1	STONE PROTECTION,
1	86507486	21	BOLT, CARRIAGE, Short NK, M8 x 20, CI8.8, Full Thd,
2	140041	21	WASHER, M8 x 28 x 3,
3	322358	21	WASHER, SPRING, Belleville, M8,
4	9706690	21	NUT, M8, CI 8,
5	89838339	1	PROFILE,
6	89838343	1	PROFILE,
7	89838344	1	PROFILE,



## HIGH-CAPACITY GRAIN HEADER (1/02- )

## 18.89836581(01) STONE PROTECTION

сылка	Номер детали	Кол-во	Описание
	89836581	1	DIA KIT, HARVESTER,
1	86507486	25	BOLT, CARRIAGE, Short NK, M8 x 20, CI8.8, Full Thd,
2	140041	25	WASHER, M8 x 28 x 3,
3	322358	25	WASHER, SPRING, Belleville, M8,
4	9706690	25	NUT, M8, CI 8,
5	89838339	1	PROFILE,
6	89838345	1	PROFILE,
7	89838742	1	PROFILE,

HEADERS

BEC CUEILLEUR

BARRA

SKÆREBORDE

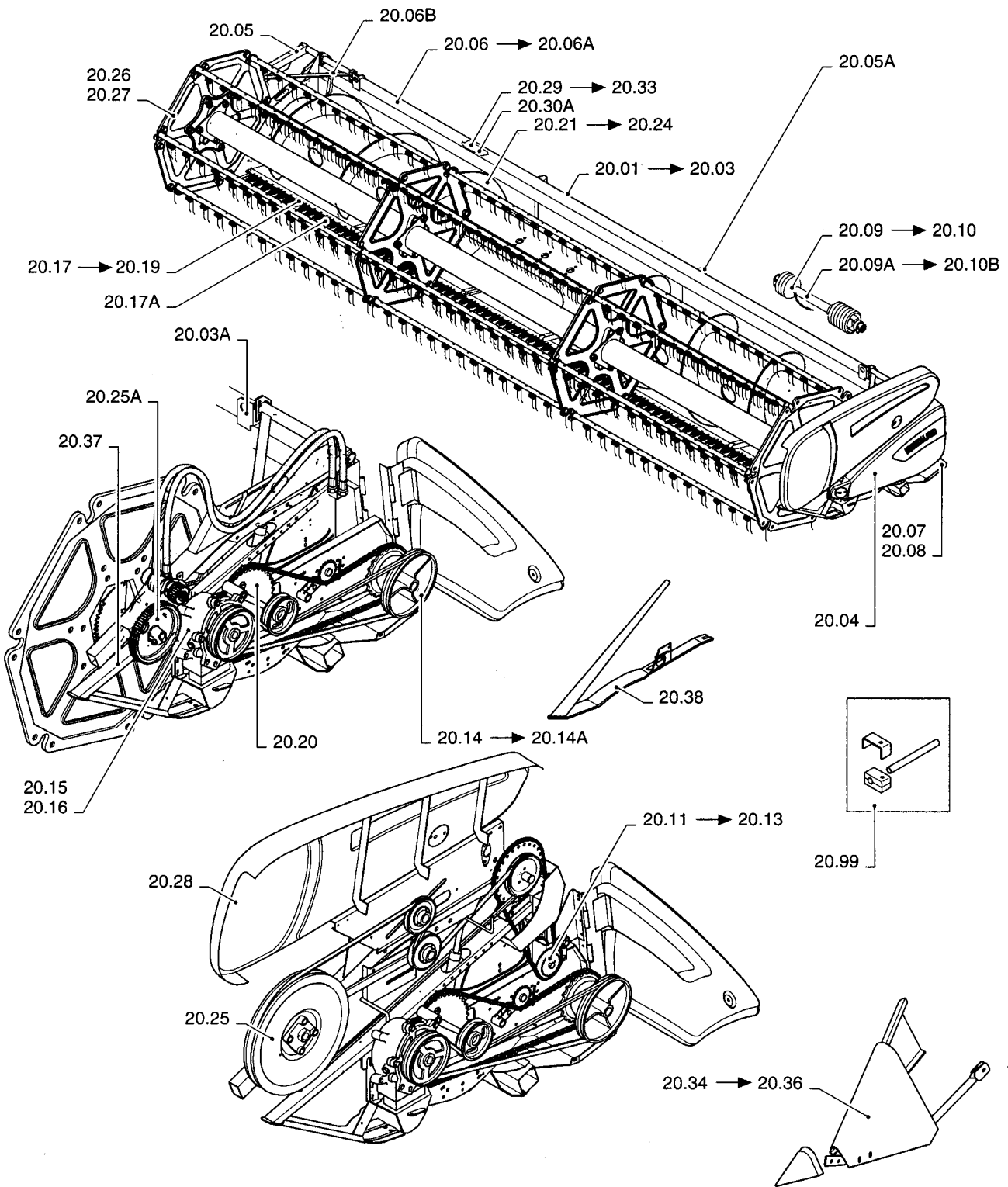
BARRA

SCHNEIDWERK

CABEÇALHO DE CEIFA

MAAIBORDEN

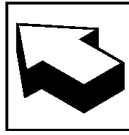
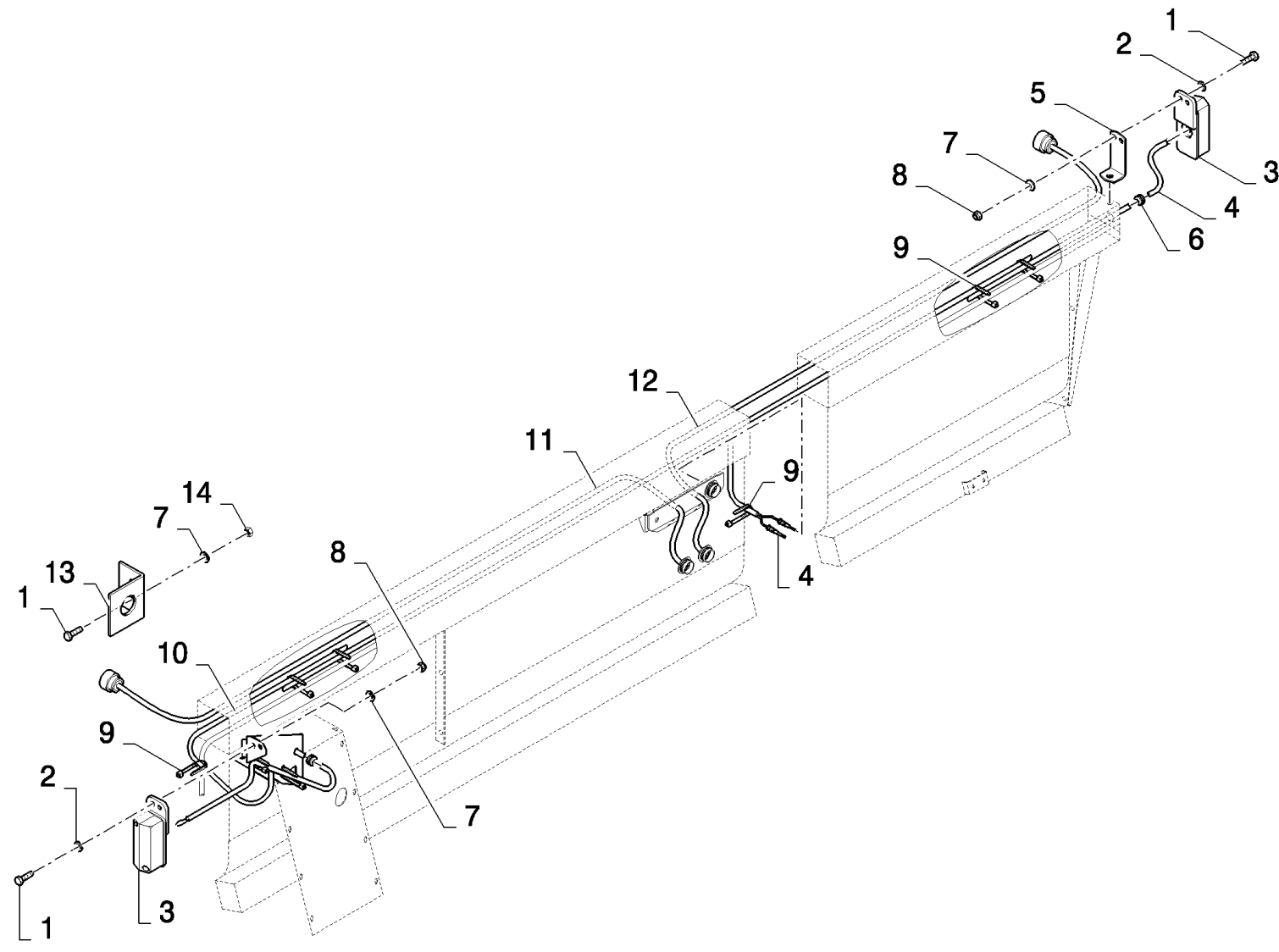
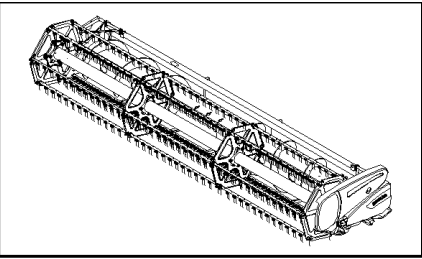
**SEC. 20**



HIGH-CAPACITY GRAIN HEADER (1/02- )

20.000(01) SECTION LIST 20

сылка	Номер детали	Кол-во	Описание



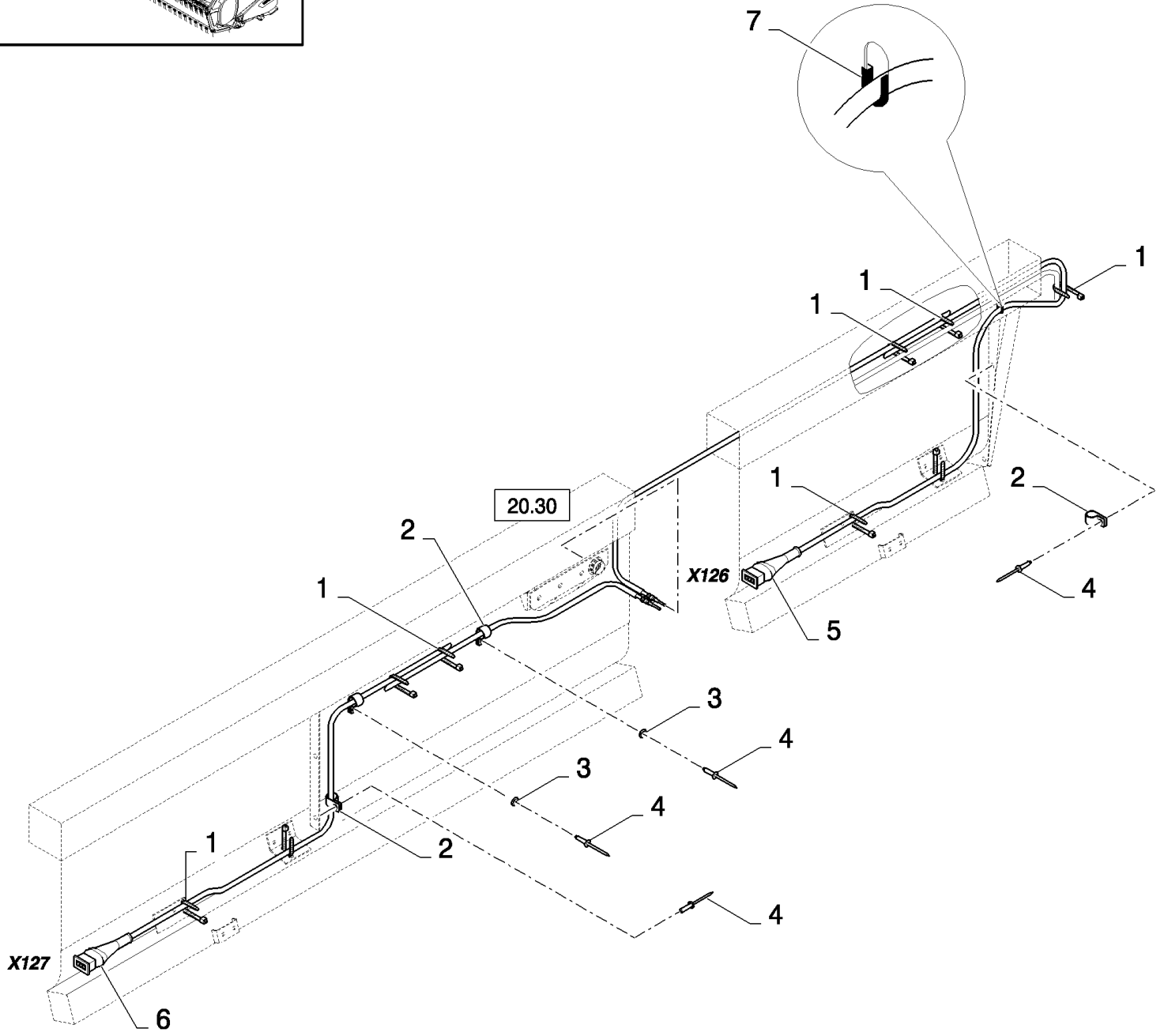
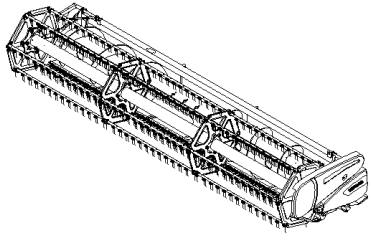
## HIGH-CAPACITY GRAIN HEADER (1/02- )

## 20.01(01) ILLUMINATION AND ELECTRICS FOR VERTICAL KNIVES

сылка	Номер детали	Кол-во	Описание
1	120100	AR	BOLT, Hex, M6 x 20, 8.8,
2	140015	4	WASHER, 6MM
3	449531	2	LAMP,
4	84432334	1	HARNESS, WIRE,
5	84077733	1	BRACKET,
6	335315	2	GROMMET,
7	322357	AR	WASHER, SPRING, Belleville, M6,
8	353308	4	NUT, M6 x 1, CI 8,
9	86566989	AR	STRAP, CABLE,
10	84432804	1	SUPPORT,
11	87391784	1	HARNESS, WIRE,
12	87391783	1	HARNESS, WIRE,
13	87391788	2	SUPPORT,
14	9706755	4	NUT, M6, CI 8,

HIGH-CAPACITY GRAIN HEADER (1/02- )

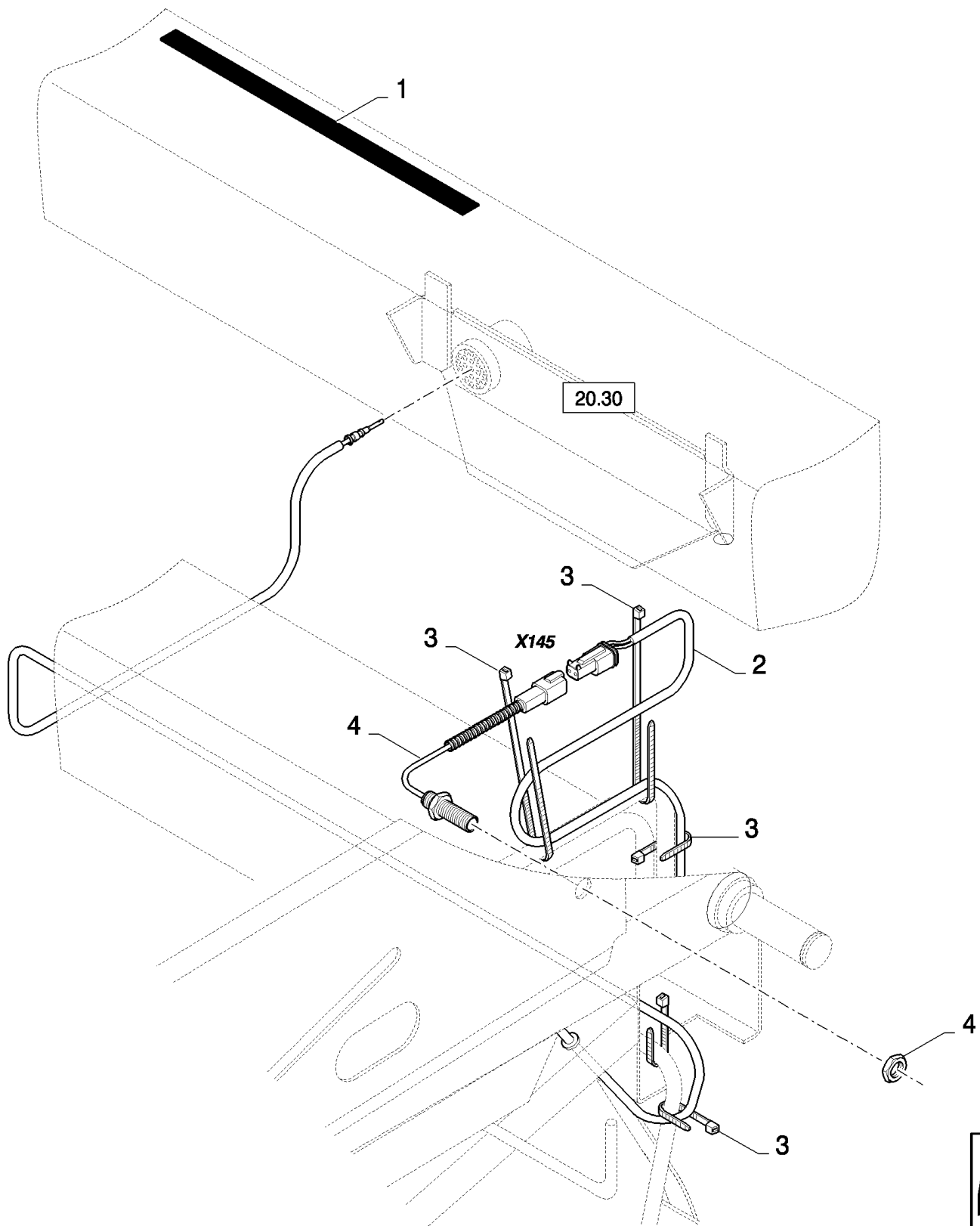
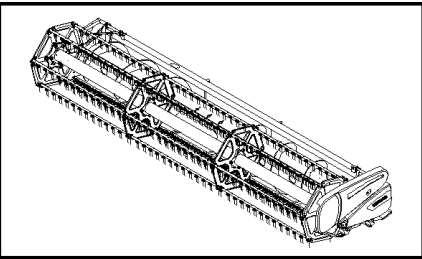
20.02(01) AUTOFLOAT, ELECTRICAL CABLES



## HIGH-CAPACITY GRAIN HEADER (1/02- )

## 20.02(01) AUTOFLOAT, ELECTRICAL CABLES

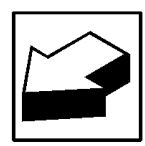
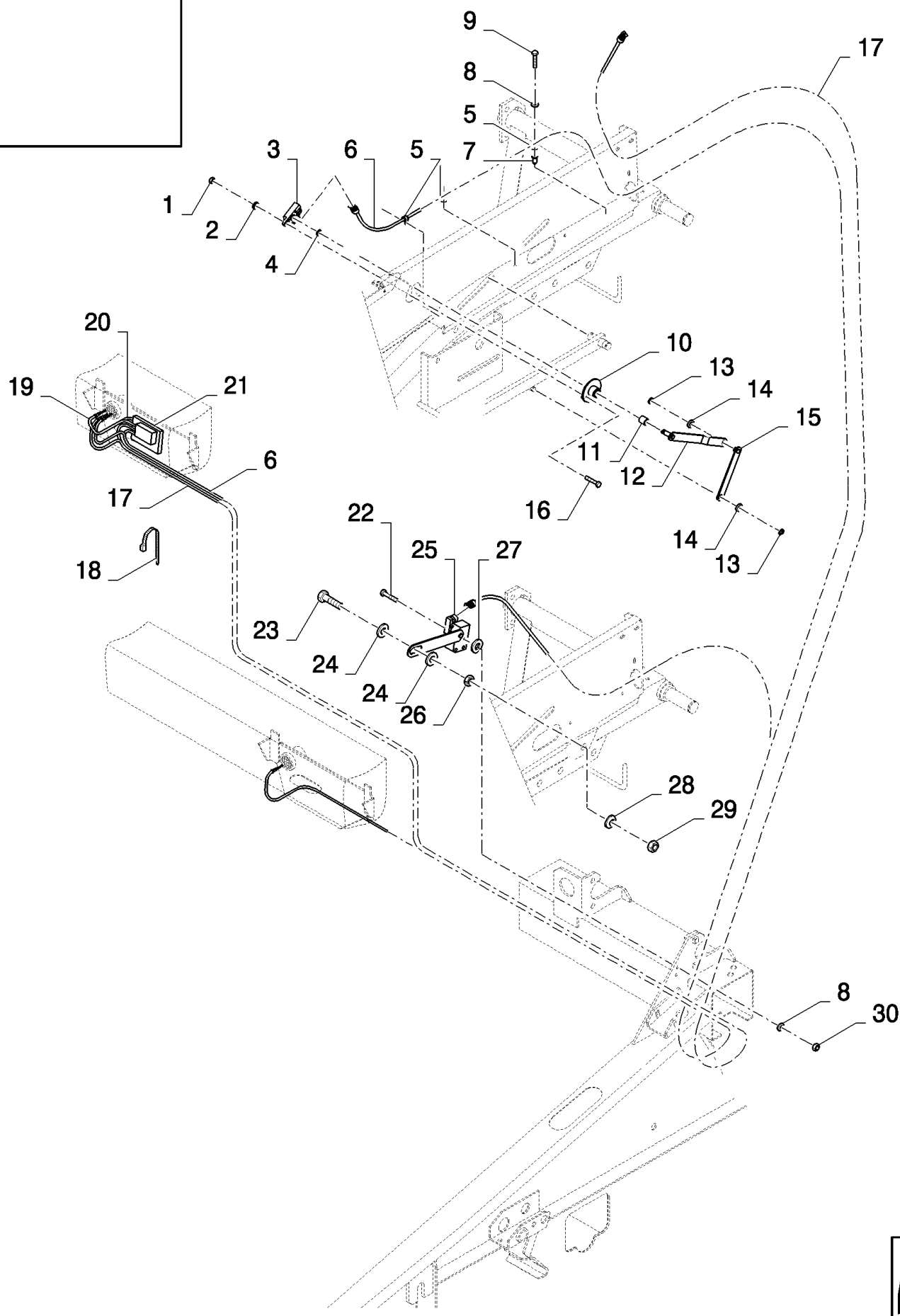
сылка	Номер детали	Кол-во	Описание
1	86566989	AR	STRAP, CABLE,
2	9507807	AR	CLAMP,
3	9824326	AR	WASHER, M5,
4	NS	AR	NOT SERVICED, Rivet
5	84077703	1	HARNESS, WIRE, RH, FOR 17 TO 24FT ONLY
5	84077705	1	HARNESS, WIRE, RH, FOR 30FT ONLY
6	84077702	1	HARNESS, WIRE, LH, FOR 17 TO 24FT ONLY
6	84077704	1	HARNESS, WIRE, LH, FOR 30FT ONLY
7	NS	AR	NOT SERVICED, Protection strip



## HIGH-CAPACITY GRAIN HEADER (1/02- )

## 20.03(01) REEL SYNCHRONISATION

сылка	Номер детали	Кол-во	Описание
1	401502	AR	STRIP, ANTI-SKID, 51mm x 18.3 Roll - Cut to Size
2	84077694	1	HARNESS, WIRE, , FOR 17 TO 24FT ONLY
2	84077696	1	HARNESS, WIRE, , FOR 30FT ONLY
2	84435860	1	HARNESS, WIRE, , FOR 12 TO 15FT ONLY
3	86566989	5	STRAP, CABLE,
4	84058862	1	SENSOR,



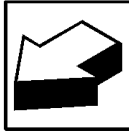
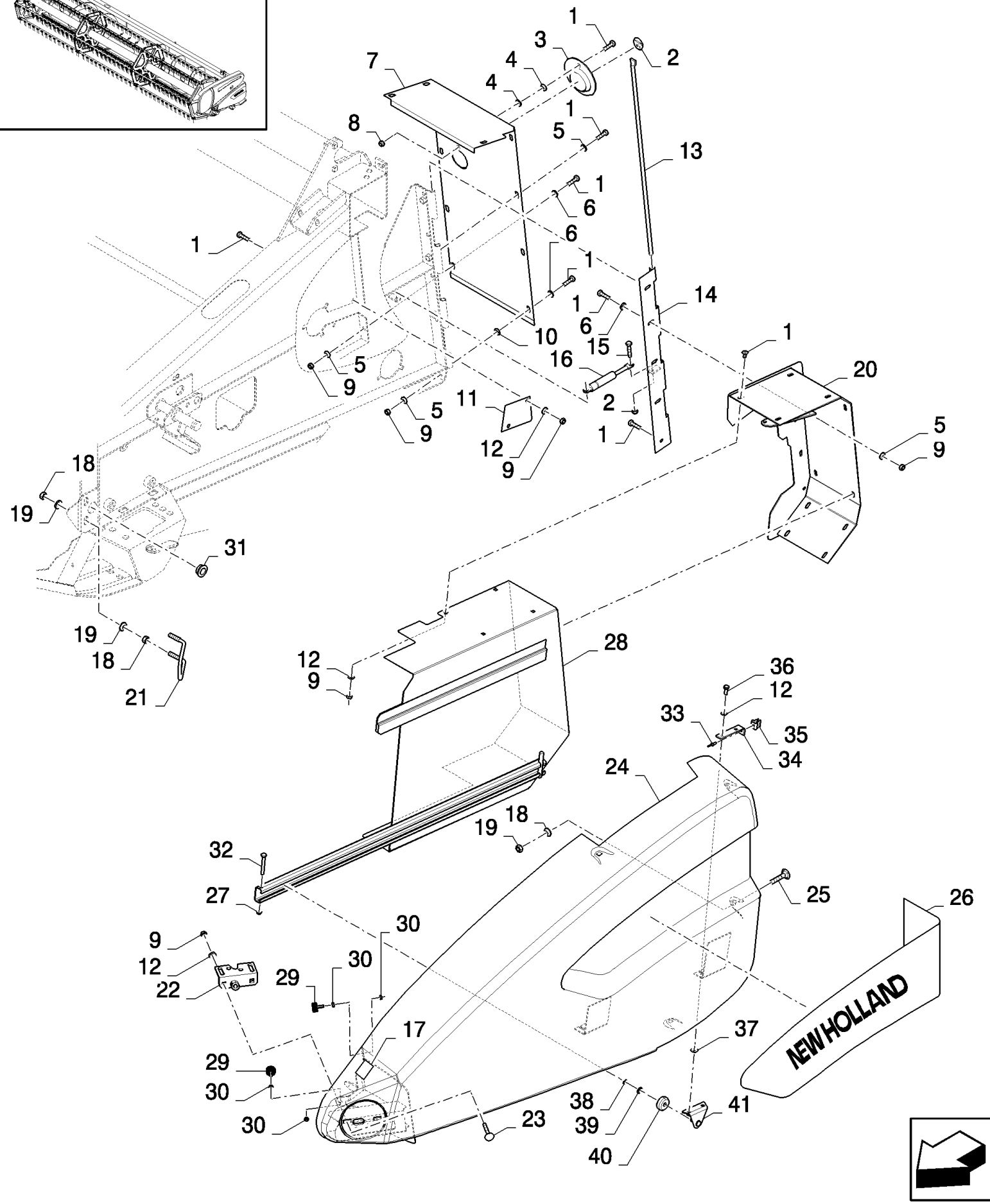
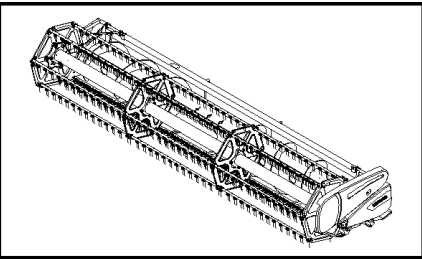
## HIGH-CAPACITY GRAIN HEADER (1/02- )

## 20.03B(01) REEL, HORIZONTAL AND VERTICAL SENSOR

сылка	Номер детали	Кол-во	Описание
1	385681	2	NUT, LOCK, M4 x .7, CI 8, M4
2	322355	2	WASHER, Belleville, M4,
3	86977396	1	POTENTIOMETER,
4	86000439	1	RING, SNAP, #37, Ext,
5	9507807	3	CLAMP,
6	84454148	1	HARNESS, WIRE,
7	9833239	2	NUT,
8	322357	4	WASHER, SPRING, Belleville, M6,
9	120100	2	BOLT, Hex, M6 x 20, 8.8,
10	84449353	1	BUSHING,
11	86516740	1	BUSHING,
12	84449354	1	ARM,
13	86000439	2	RING, SNAP, #37, Ext,
14	378244	2	WASHER, M10,
15	84449355	1	ARM,
16	385682	2	BOLT, Hex, M4 x 30, 8.8,
17	84454149	1	HARNESS, WIRE,
18	86566989	5	STRAP, CABLE,
19	86500036	1	PIN, ELECT TERMINAL,
20	84454142	1	HARNESS, WIRE,
21	86837775	1	RESISTOR,
22	43118	2	BOLT, Hex, M6 x 40, 8.8,
23	120090	1	SCREW, Hex, M16 x 50, 8.8,
24	140190	2	WASHER,
25	84449997	1	
26	100095	1	NUT, Thin, M16 x 2, CI 04,
27	9824259	2	WASHER, M6 x 12 x 1.6,
28	140048	1	WASHER, SPRING, Belleville, M16,
29	100020	1	NUT, M16, CI 8,
30	15896221	2	NUT, M6, CI 10,

HIGH-CAPACITY GRAIN HEADER (1/02- )

20.04(01) SHIELDS, LH



## HIGH-CAPACITY GRAIN HEADER (1/02- )

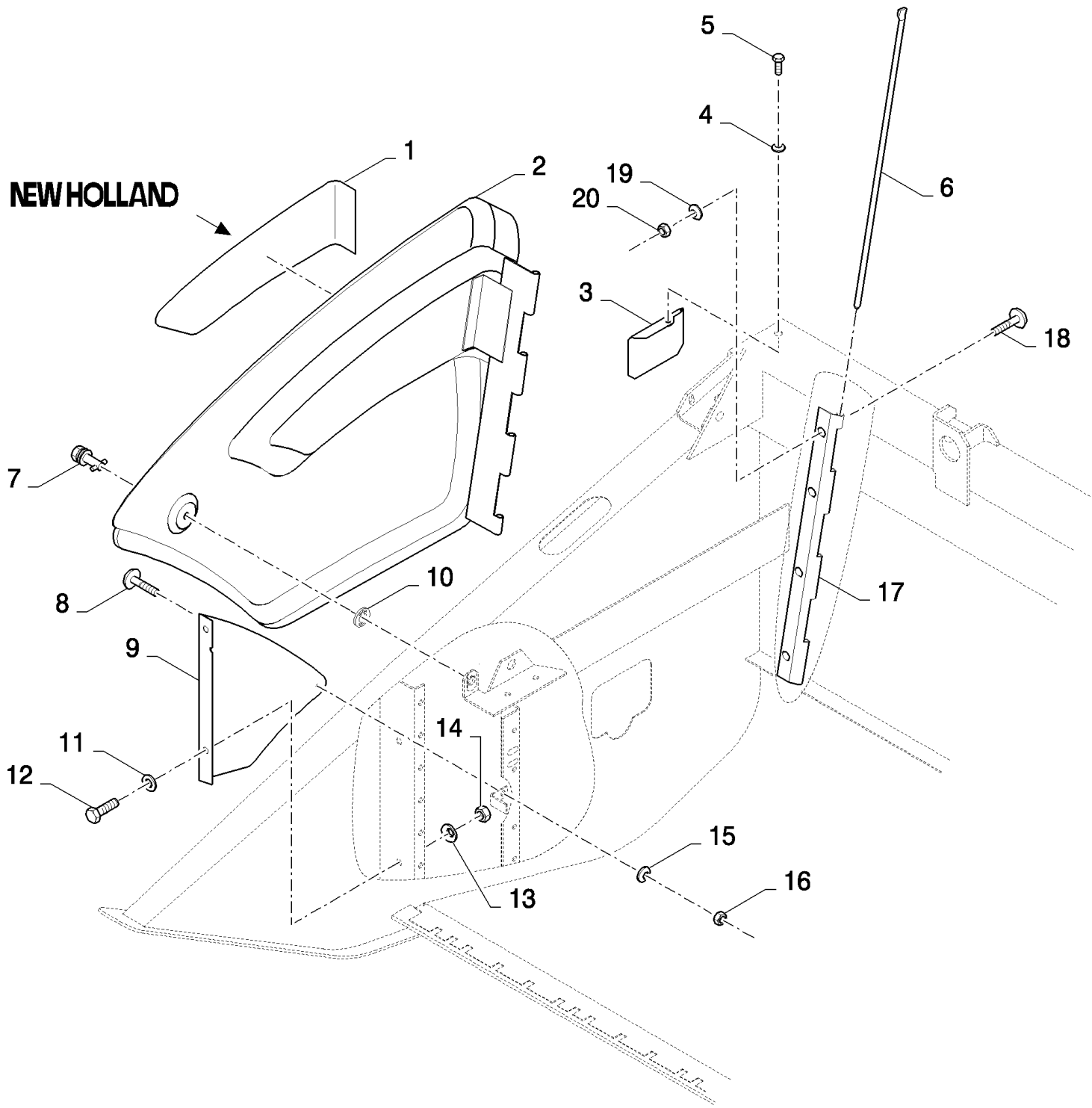
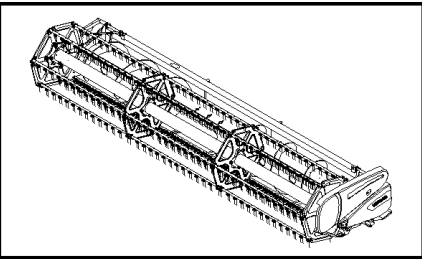
20.04(01) SHIELDS, LH

сылка	Номер детали	Кол-во	Описание
1	16043224	18	BOLT, Hex, M8 x 16, 8.8, Full Thd,
2	84334829	1	DECAL,
3	429855	1	COVER,
4	397881	2	WASHER, SPRING,
5	412650	15	WASHER, Belleville, M8,
6	378243	6	WASHER, M8,
7	84077602	1	SHIELD,
8	86629542	3	NUT, LOCK, M8 x 1.25, CI 8,
9	89706690	11	NUT, M8, CI 8,
10	140041	1	WASHER, M8 x 28 x 3,
11	84077546	1	PLATE,
12	322358	AR	WASHER, SPRING, Belleville, M8,
13	84077639	1	ROD, , FOR HIGH-CAPACITY ONLY, FOR EXTRA-CAPACITY ONLY
13	87330714	1	SHAFT, ARTICULATED, , FOR VARIFEED ONLY
14	84334709	1	HINGE, , FOR HIGH-CAPACITY ONLY
14	84449322	1	HINGE, , FOR EXTRA-CAPACITY ONLY
14	84456133	1	HINGE, , FOR VARIFEED ONLY
15	120104	2	SCREW, Hex, M8 x 20, 8.8, , BSN C649
15	43127	2	BOLT, Hex, M8 x 25, 8.8, , ASN D650
16	84434897	1	SHOCK ABSORBER,
17	84004734	1	DECAL,
18	100016	8	NUT, M10, CI 8,
19	140045	8	WASHER, SPRING, Belleville, M10,
20	84077637	1	SUPPORT, , FOR HIGH-CAPACITY ONLY
20	84449169	1	SUPPORT, , FOR EXTRA-CAPACITY ONLY
20	84454715	1	BRACKET, SUPPORTING, , FOR VARIFEED ONLY, BSN C073
21	84077643	1	U-BRACKET, , FOR EXTRA-CAPACITY ONLY, FOR HIGH-CAPACITY ONLY
21	84456136	1	STIRRUP, , FOR VARIFEED ONLY
22	84015292	1	LOCK,
23	86507486	2	BOLT, CARRIAGE, Short NK, M8 x 20, CI8.8, Full Thd,
24	84989447	1	SHIELD, , FOR HIGH-CAPACITY ONLY
24	84449250	1	SHIELD, , FOR EXTRA-CAPACITY ONLY
24	84454882	1	SHIELD, , FOR VARIFEED ONLY, BSN C051
24	87600405	1	SHIELD, , FOR VARIFEED ONLY, ASN D052
25	86512446	4	BOLT, CARRIAGE, Short NK, M10 x 30, CI8.8, Full Thd,
26	84989736	1	DECAL, , BSN C649
26	86900516	1	DECAL, , BSN F650739
26	84458041	1	DECAL, , ASN D740
26	86611826	1	DECAL, , FOR TX SERIES ONLY, BSN C691
26	86900516	1	DECAL, , FOR TX SERIES ONLY, ASN D692
27	86629542	2	NUT, LOCK, M8 x 1.25, CI 8,
28	84454655	1	DOOR, , FOR VARIFEED ONLY, BSN C073
28	87618464	1	DOOR, , FOR VARIFEED ONLY, ASN D074
29	916454	2	DAMPER, , FOR VARIFEED ONLY

## HIGH-CAPACITY GRAIN HEADER (1/02- )

20.04(01) SHIELDS, LH

сылка	Номер детали	Кол-во	Описание
30	15896221	4	NUT, M6, CI 10, , FOR VARIFEED ONLY
31	87333239	1	BUSHING, , FOR VARIFEED ONLY
32	120061	1	BOLT, Hex, M8 x 60, 8.8, , FOR VARIFEED ONLY
33	NS	1	NOT SERVICED, , FOR VARIFEED ONLY
34	84456138	1	STOP, , FOR VARIFEED ONLY
35	323307	1	CLAMP, , FOR VARIFEED ONLY
36	120104	4	SCREW, Hex, M8 x 20, 8.8, , FOR VARIFEED ONLY
37	378243	8	WASHER, M8, , FOR VARIFEED ONLY
38	3991509	2	RING, SNAP, M10, Ext, , FOR VARIFEED ONLY
39	84818558	2	WASHER, , FOR VARIFEED ONLY
40	84454623	2	ROLLER, , FOR VARIFEED ONLY
41	84454666	2	SUPPORT, , FOR VARIFEED ONLY



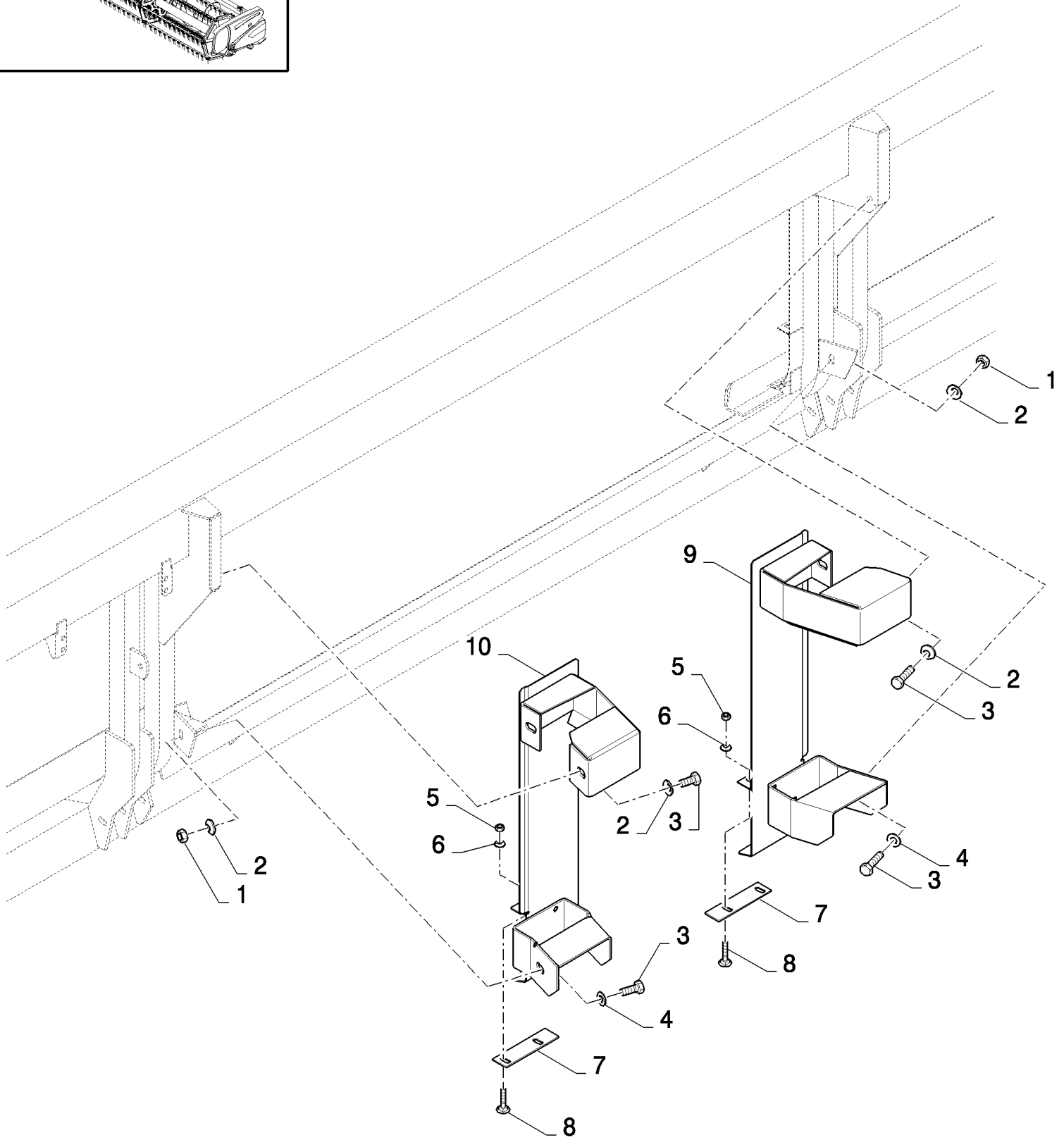
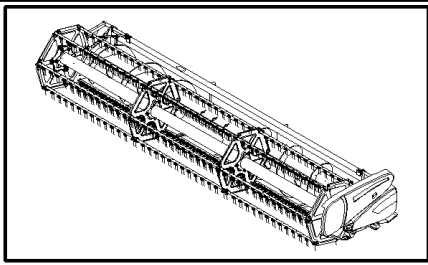
## HIGH-CAPACITY GRAIN HEADER (1/02- )

20.05(01) SHIELDS, RH

сылка	Номер детали	Кол-во	Описание
1	84989742	1	DECAL, , BSN C649
1	84442889	1	DECAL, , BSN F650739
1	84458040	1	DECAL, , ASN D740
2	84989204	1	SHIELD, , FOR EXTRA-CAPACITY ONLY, FOR HIGH-CAPACITY ONLY
2	87327930	1	GUARD, , FOR VARIFEED ONLY, BSN C835
2	87388946	1	GUARD, , FOR VARIFEED ONLY, ASN D836
3	84077586	1	PLATE, , FOR EXTRA-CAPACITY ONLY, FOR HIGH-CAPACITY ONLY
3	84456129	1	PLATE, , FOR VARIFEED ONLY
4	322357	1	WASHER, SPRING, Belleville, M6,
5	86508568	1	SCREW, Hex, M6 x 16, 8.8,
6	84076546	1	ROD,
7	89514603	1	LOCK,
8	62087	1	SCREW,
9	84989574	1	PLATE, , FOR HIGH-CAPACITY ONLY, BSN C649
9	84441495	1	PLATE, , FOR HIGH-CAPACITY ONLY, FOR VARIFEED ONLY, ASN D650
9	84448886	1	PLATE, , FOR EXTRA-CAPACITY ONLY
10	9514605	1	WASHER,
11	378244	2	WASHER, M10,
12	43138	2	SCREW, Hex, M10 x 20, 8.8, Full Thd,
13	140045	2	WASHER, SPRING, Belleville, M10,
14	100016	2	NUT, M10, CI 8,
15	322358	1	WASHER, SPRING, Belleville, M8,
16	89706690	1	NUT, M8, CI 8,
17	84441540	1	PLATE, , FOR HIGH-CAPACITY ONLY, ASN D650
18	86507486	4	BOLT, CARRIAGE, Short NK, M8 x 20, CI8.8, Full Thd, , FOR HIGH-CAPACITY ONLY, ASN D650
19	322358	4	WASHER, SPRING, Belleville, M8, , FOR HIGH-CAPACITY ONLY, ASN D650
20	89706690	4	NUT, M8, CI 8, , FOR HIGH-CAPACITY ONLY, ASN D650

HIGH-CAPACITY GRAIN HEADER (1/02- )

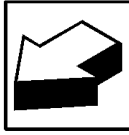
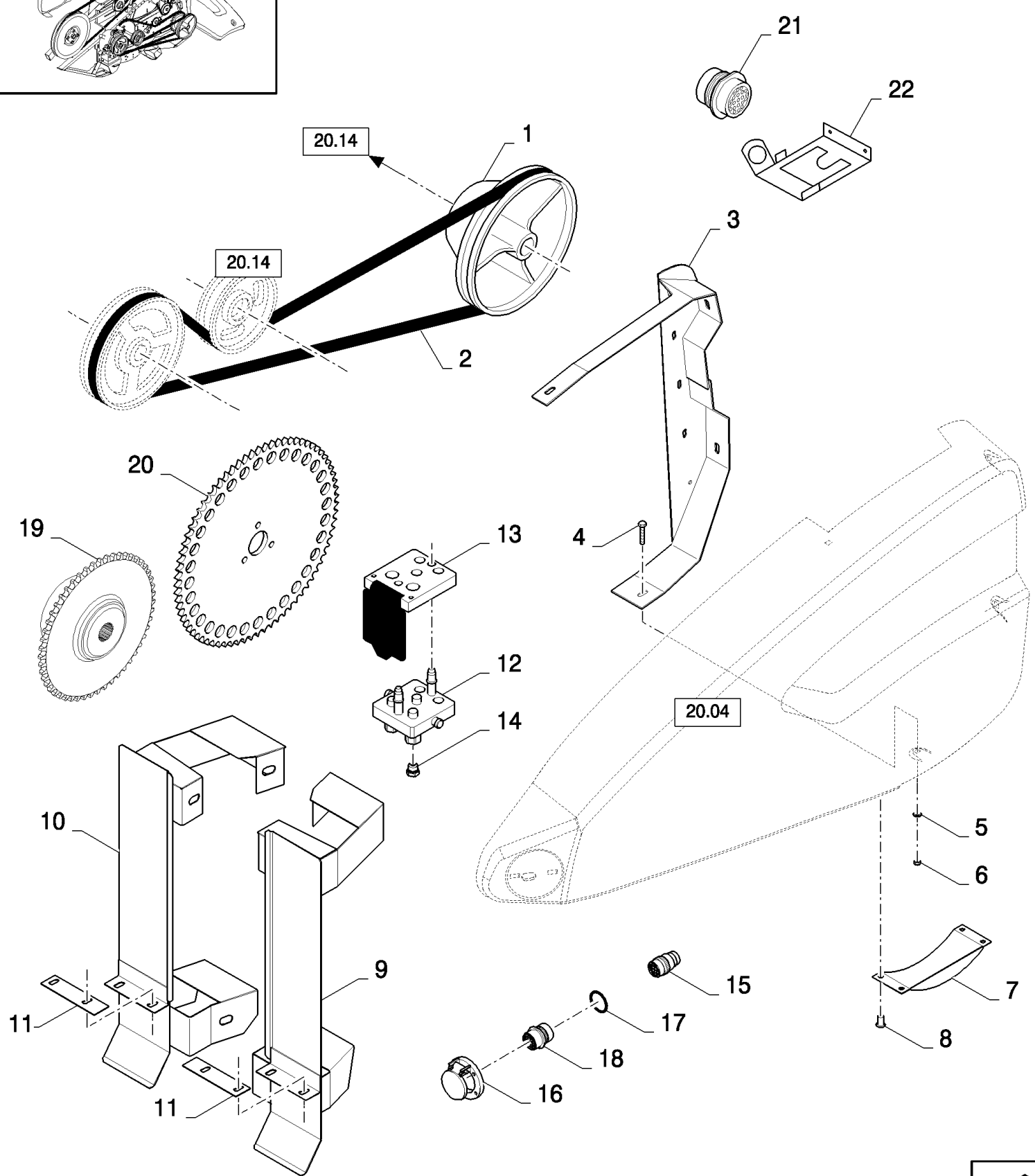
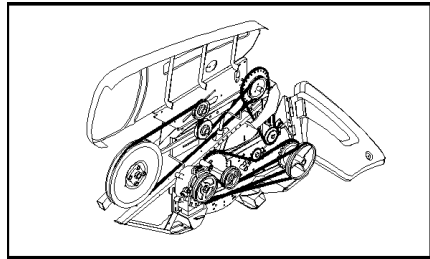
20.05A(01) ADAPTOR KIT FOR COMBINE



## HIGH-CAPACITY GRAIN HEADER (1/02- )

## 20.05A(01) ADAPTOR KIT FOR COMBINE

сылка	Номер детали	Кол-во	Описание
1	9706685	2	NUT, M12, CI 8,
2	140046	6	WASHER, Belleville, M12,
3	300388	6	SCREW, Hex, M12 x 25, 8.8,
4	378245	2	WASHER, M12,
5	89706690	4	NUT, M8, CI 8,
6	322358	4	WASHER, SPRING, Belleville, M8,
7	84438808	2	PLATE,
8	86507486	4	BOLT, CARRIAGE, Short NK, M8 x 20, CI8.8, Full Thd,
9	84437592	1	SUPPORT, RH
10	84437608	1	SUPPORT, LH



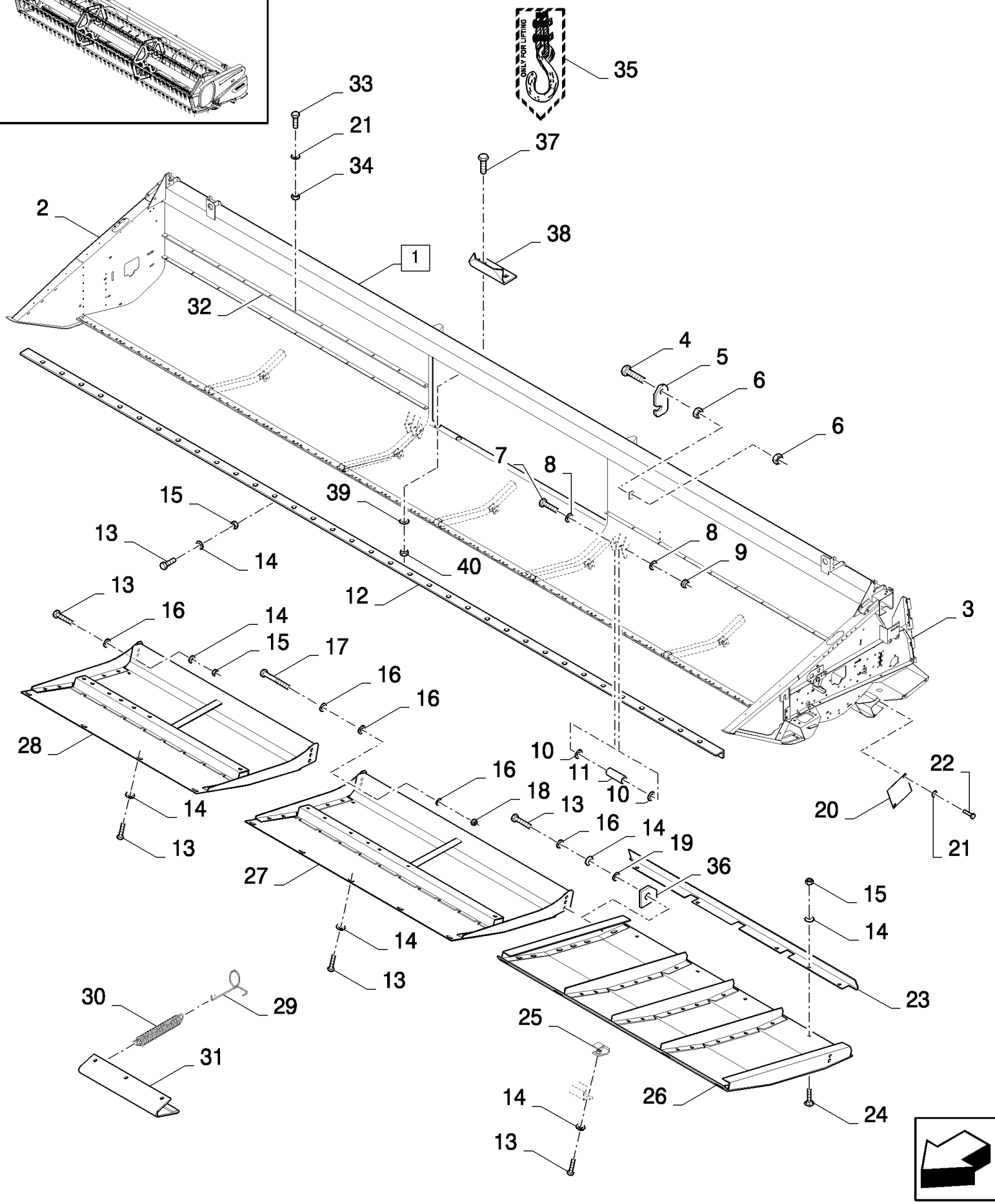
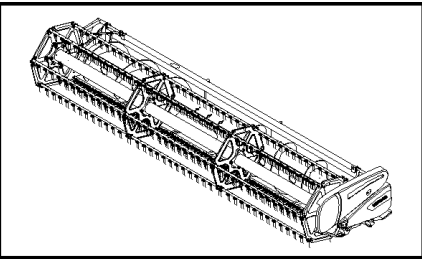
## HIGH-CAPACITY GRAIN HEADER (1/02- )

## 20.05B(01) REBUILD KIT FOR TC, TF AND TX COMBINES

сылка	Номер детали	Кол-во	Описание
1	89819848	1	PULLEY,
2	84449662	1	BELT, TRANSMISSION,
3	84454628	1	PLATE,
4	86507486	1	BOLT, CARRIAGE, Short NK, M8 x 20, CI8.8, Full Thd,
5	322358	1	WASHER, SPRING, Belleville, M8,
6	89706690	1	NUT, M8, CI 8,
7	84454664	1	PLATE,
8	NS	4	NOT SERVICED, RIVET
9	84437592	1	SUPPORT,
10	84437608	1	SUPPORT,
11	84438808	2	PLATE,
12	84435011	1	COUPLING, QUICK, MALE,
13	84439856	1	COUPLING, QUICK, MALE, , BSN C423
14	84031333	3	CONNECTOR, HYD.,
15	84320884	1	CONNECTOR, ELEC,
16	86606228	1	COVER, , BSN C423
17	84037188	1	O-RING, , BSN C423
18	767455	1	DUST CAP, , BSN C423
19	84334859	1	CLUTCH,
20	84056483	1	SPROCKET, DRIVEN,
21	87105683	1	CAP, , ASN D424
22	84459469	1	BRACKET, , ASN D424

HIGH-CAPACITY GRAIN HEADER (1/02- )

20.06(01) HEADER, KNIFE GUARDS



## HIGH-CAPACITY GRAIN HEADER (1/02- )

## 20.06(01) HEADER, KNIFE GUARDS

сылка	Номер детали	Кол-во	Описание
1	84071105	1	FRAME, (2,3), FOR 17FT ONLY, BSN C717
1	84457250	1	FRAME, , FOR 17FT ONLY, ASN D718
1	84817393	1	FRAME, (2,3), FOR 17FT ONLY, FOR AL OR HILLSIDE SERIES ONLY, BSN C717
1	84457106	1	FRAME, , FOR AL OR HILLSIDE SERIES ONLY, FOR 17FT ONLY, ASN D718
1	84062681	1	FRAME, (2,3), FOR 20FT ONLY, FOR HIGH-CAPACITY ONLY, BSN C717
1	84457249	1	FRAME, , FOR HIGH-CAPACITY ONLY, FOR 20FT ONLY, ASN D718
1	84800227	1	FRAME, (2,3), FOR 20FT ONLY, FOR EXTRA-CAPACITY ONLY
1	87398051	1	FRAME, , FOR AL OR HILLSIDE SERIES ONLY, FOR 20FT ONLY
1	84058278	1	FRAME, (2,3), FOR HIGH-CAPACITY ONLY, FOR 24FT ONLY, BSN C717
1	84457248	1	FRAME, , FOR 24FT ONLY, FOR HIGH-CAPACITY ONLY, ASN D718
1	84453966	1	FRAME, (2,3), FOR 24FT ONLY, FOR EXTRA-CAPACITY ONLY
1	84058718	1	FRAME, (2,3), FOR 30FT ONLY, FOR HIGH-CAPACITY ONLY, BSN C717
1	84457104	1	FRAME, , FOR HIGH-CAPACITY ONLY, FOR 30FT ONLY, ASN D718
1	84453904	1	FRAME, (2,3), FOR 30FT ONLY, FOR EXTRA-CAPACITY ONLY
1	84435526	1	FRAME, (2,3), FOR 12FT ONLY, BSN C717
1	84457096	1	FRAME, , FOR 12FT ONLY, ASN D718
1	84435434	1	FRAME, (2,3), FOR 13FT ONLY, BSN C717
1	84457100	1	FRAME, , FOR 13FT ONLY, ASN D718
1	84434943	1	FRAME, (2,3), FOR 15FT ONLY, BSN C717
1	84457090	1	FRAME, , FOR 15FT ONLY, ASN D718
1	84441966	1	FRAME, (2,3), FOR 15FT ONLY, FOR AL OR HILLSIDE SERIES ONLY, BSN C717
1	84457105	1	FRAME, , FOR AL OR HILLSIDE SERIES ONLY, FOR 15FT ONLY, ASN D718
1	87344200	1	FRAME, (2,3), FOR 20FT ONLY, FOR VARIFEED ONLY
1	87317100	1	FRAME, (2,3), FOR VARIFEED ONLY, FOR 24FT ONLY
1	87317101	1	FRAME, (2,3), FOR VARIFEED ONLY, FOR 30FT ONLY
1	87578003	1	FRAME, (2,3), FOR VARIFEED ONLY, FOR 17FT ONLY
2	85013079	1	PANEL, SIDE, RH, FOR 12 TO 24FT ONLY, FOR HIGH-CAPACITY ONLY
2	85013080	1	PANEL, SIDE, RH, FOR HIGH-CAPACITY ONLY, FOR 30FT ONLY
2	85015171	1	PANEL, SIDE, RH, FOR EXTRA-CAPACITY ONLY
2	85015922	1	RH, FOR VARIFEED ONLY
3	85007697	1	PANEL, SIDE, LH, FOR 12 TO 24FT ONLY, FOR HIGH-CAPACITY ONLY
3	85007698	1	PANEL, SIDE, LH, FOR HIGH-CAPACITY ONLY, FOR 30FT ONLY
3	85015168	1	PANEL, SIDE, LH, FOR EXTRA-CAPACITY ONLY
3	85015920	1	LH, FOR VARIFEED ONLY
4	86629541	1	BOLT, Hex, M12 x 40, 8.8, Full Thd,
5	433871	1	CLIP,
6	9706685	2	NUT, M12, CI 8,
7	86508581	2	BOLT, Hex, M12 x 90, 8.8, , FOR 12 TO 24FT ONLY
7	412485	2	BOLT, Hex, M12 x 90, 10.9, Full Thd, , FOR 30FT ONLY
8	394630	4	WASHER, 12MM
9	412126	2	NUT, LOCK, M12 x 1.75, CI 8,
10	84011662	4	WASHER,
11	80919462	2	BUSHING,
12	80740621	1	ANGLE BAR, , FOR 17FT ONLY, BSN C035

## HIGH-CAPACITY GRAIN HEADER (1/02- )

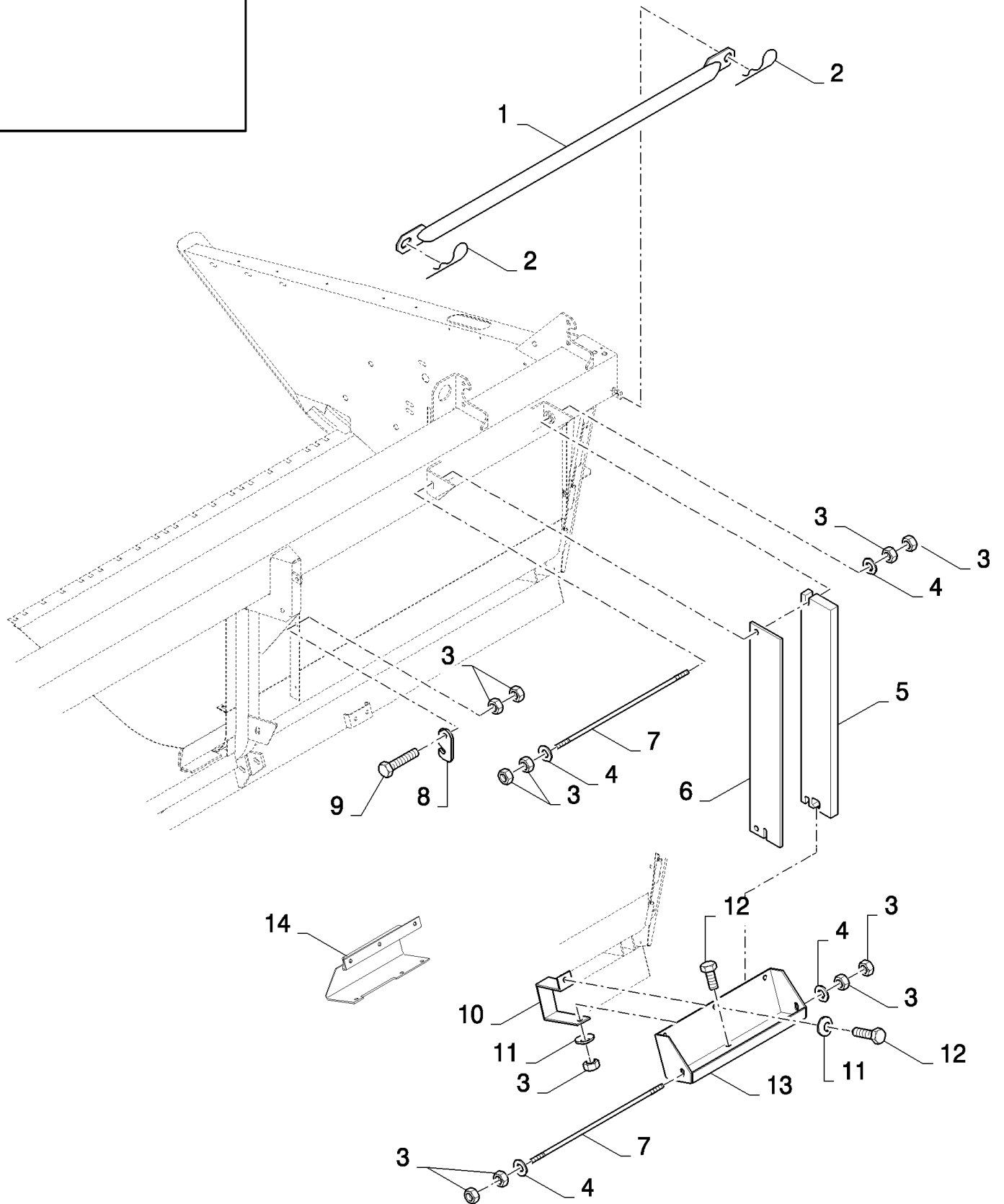
## 20.06(01) HEADER, KNIFE GUARDS

сылка	Номер детали	Кол-во	Описание
12	87347125	1	, FOR 17FT ONLY, ASN D036
12	80916828	1	ANGLE BAR, , FOR 20FT ONLY, BSN C035
12	87347652	1	ANGLE BAR, , FOR 20FT ONLY, ASN D036
12	80740579	1	ANGLE BAR, , FOR 24FT ONLY, BSN C035
12	87347645	1	ANGLE BAR, , FOR 24FT ONLY, ASN D036
12	84043747	1	ANGLE BAR, , FOR 30FT ONLY, BSN C035
12	87347633	1	ANGLE BAR, , FOR 30FT ONLY, ASN D036
12	80921647	1	ANGLE BAR, , FOR 12FT ONLY, BSN C035
12	87347118	1	, FOR 12FT ONLY, ASN D036
12	80921606	1	ANGLE BAR, , FOR 13FT ONLY, BSN C035
12	87347307	1	, FOR 13FT ONLY, ASN D036
12	80740689	1	ANGLE BAR, , FOR 15FT ONLY, BSN C035
12	87347123	1	, FOR 15FT ONLY, ASN D036
13	43140	AR	BOLT, Hex, M10 x 30, 8.8, Full Thd,
13	120112	AR	BOLT, Hex, M10 x 40, 8.8, Full Thd,
14	140045	AR	WASHER, SPRING, Belleville, M10,
15	100016	AR	NUT, M10, CI 8,
16	378244	AR	WASHER, M10,
17	120073	2	BOLT, Hex, M10 x 80, 8.8,
17	120074	2	BOLT, Hex, M10 x 90, 8.8,
18	100037	2	NUT, M10 x 1.5, CI 8,
19	140042	4	WASHER, M10 x 34 x 3,
20	84038848	1	COVER,
21	322358	AR	WASHER, SPRING, Belleville, M8,
22	16043224	2	BOLT, Hex, M8 x 16, 8.8, Full Thd,
23	84036212	2	PLATE, COVER, , FOR 17 AND 20FT ONLY
23	84320712	2	PLATE, COVER, , FOR 15FT ONLY
24	V43471	AR	BOLT, M10x20
25	84036083	AR	HOOK,
26	84036214	2	PLATE, SKID, , FOR 17 AND 20FT ONLY, FOR VARIFEED ONLY, FOR HIGH-CAPACITY ONLY
26	84320713	2	PLATE, SKID, , FOR HIGH-CAPACITY ONLY, FOR VARIFEED ONLY, FOR 15,24 AND 30FT ONLY
26	84448906	2	PLATE, SKID, , FOR EXTRA-CAPACITY ONLY, FOR 20FT ONLY
26	84448350	2	PLATE, SKID, , FOR EXTRA-CAPACITY ONLY, FOR 24 AND 30FT ONLY
27	84077882	2	PLATE, SKID, , FOR 17FT ONLY
27	84064844	2	PLATE, SKID, , FOR 20FT ONLY, FOR HIGH-CAPACITY ONLY
27	84448900	2	PLATE, SKID, , FOR 20FT ONLY, FOR EXTRA-CAPACITY ONLY
27	84435727	2	PLATE, SKID, , FOR 12FT ONLY
27	89593675	2	PLATE, SKID, , FOR HIGH-CAPACITY ONLY, FOR 24FT ONLY
27	89593674	2	PLATE, SKID, , FOR 24FT ONLY, FOR VARIFEED ONLY
27	84448554	2	PLATE, SKID, , FOR EXTRA-CAPACITY ONLY, FOR 24FT ONLY
27	89593748	2	PLATE, SKID, , FOR 13FT ONLY
27	84043880	4	PLATE, SKID, , FOR 30FT ONLY, FOR HIGH-CAPACITY ONLY
27	84448580	4	PLATE, SKID, , FOR 30FT ONLY, FOR EXTRA-CAPACITY ONLY
27	84442876	2	PLATE, SKID, , FOR 15FT ONLY, FOR AL OR HILLSIDE SERIES ONLY

## HIGH-CAPACITY GRAIN HEADER (1/02- )

## 20.06(01) HEADER, KNIFE GUARDS

сылка	Номер детали	Кол-во	Описание
27	89593676	2	PLATE, SKID, , FOR AL OR HILLSIDE SERIES ONLY, FOR 17FT ONLY, BSN C751
27	84064844	2	PLATE, SKID, , FOR VARIFEED ONLY, FOR 30FT ONLY
27	84435727	2	PLATE, SKID, , FOR 30FT ONLY, FOR VARIFEED ONLY
27	87342004	2	PLATE, SKID, , FOR VARIFEED ONLY, FOR 20FT ONLY
28	84061449	2	PLATE, SKID, , FOR VARIFEED ONLY, FOR HIGH-CAPACITY ONLY
28	84448566	2	PLATE, SKID, , FOR EXTRA-CAPACITY ONLY
29	89837015	AR	HOOK,
30	84814908	AR	SPRING,
31	89838588	AR	PROTECTION PLATE,
32	84075429	2	PLATE, , FOR 17FT ONLY
32	84064780	2	PLATE, , FOR 20FT ONLY
32	84075420	2	PLATE, , FOR 24FT ONLY
32	84075425	2	PLATE, , FOR 30FT ONLY
32	84435515	2	PLATE, , FOR 12FT ONLY
32	84435508	2	PLATE, , FOR 13FT ONLY
32	84435388	2	PLATE, , FOR 15FT ONLY
33	86507486	AR	BOLT, CARRIAGE, Short NK, M8 x 20, CI8.8, Full Thd,
34	89706690	AR	NUT, M8, CI 8,
35	449973	2	DECAL,
36	84435949	2	PLATE, , FOR 13FT ONLY
36	9502135	2	PLATE, , FOR 15FT ONLY
37	86512446	4	BOLT, CARRIAGE, Short NK, M10 x 30, CI8.8, Full Thd, , DISTRIBUTION KIT ONLY FOR CX820-840-860-880
38	84448194	2	ANGLE, , DISTRIBUTION KIT ONLY FOR CX820-840-860-880
39	140045	4	WASHER, SPRING, Belleville, M10, , DISTRIBUTION KIT ONLY FOR CX820-840-860-880
40	100016	4	NUT, M10, CI 8, , DISTRIBUTION KIT ONLY FOR CX820-840-860-880



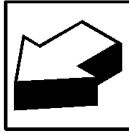
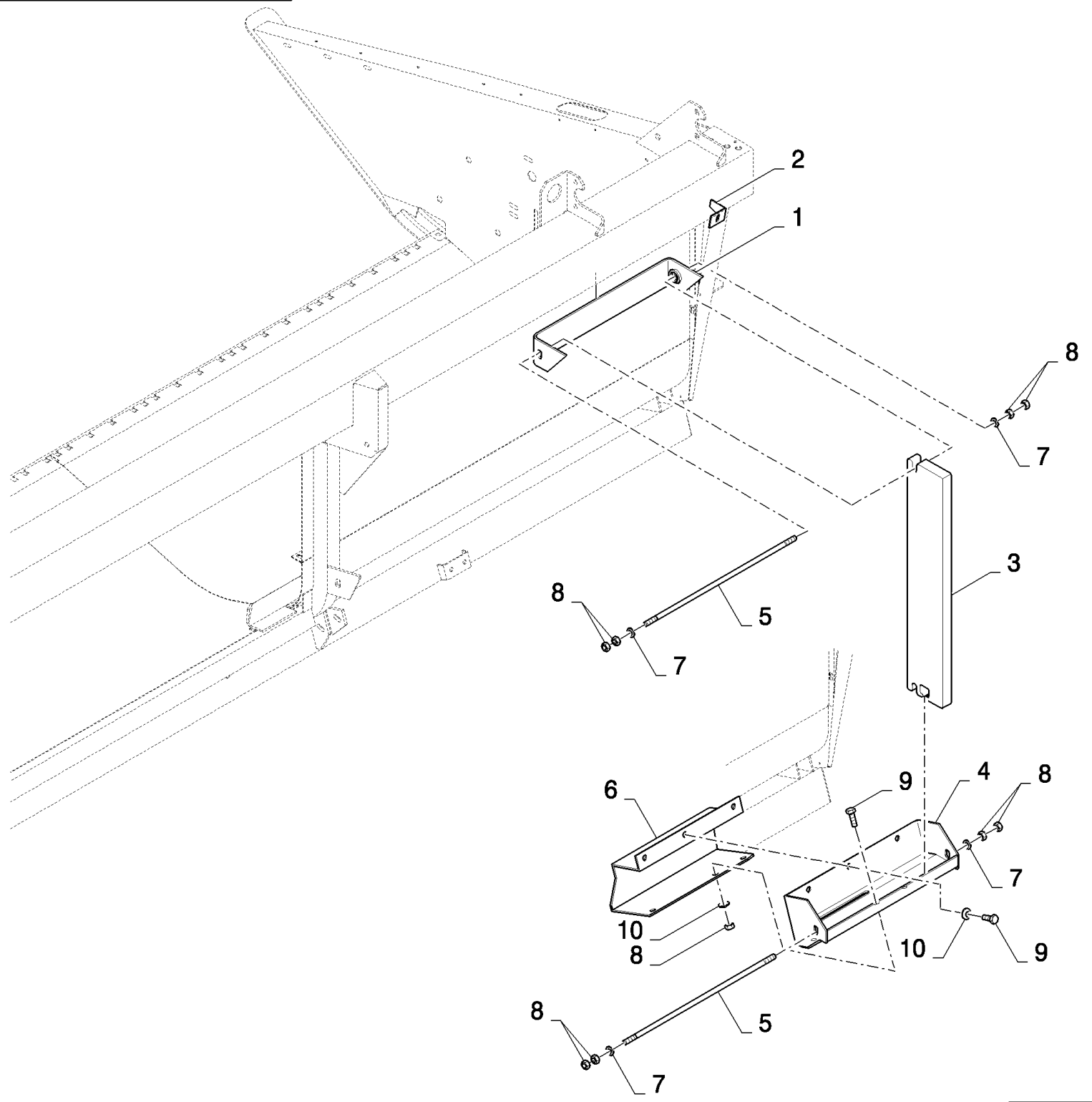
## HIGH-CAPACITY GRAIN HEADER (1/02- )

## 20.06B(01) SIDE HILL WEIGHTS - FOR AL-CL COMBINES ONLY

сылка	Номер детали	Кол-во	Описание
1	84026770	1	TUBE,
2	437424	2	PIN, SPLIT (COTTER),
3	9706685	11	NUT, M12, CI 8,
4	9511052	4	WASHER, M12 x 44 x 4, 12MM
5	84007098	AR	WEIGHT, ADVANCE DEVICE,
6	84007099	AR	WEIGHT, ADVANCE DEVICE,
6	84449234	AR	WEIGHT, COUNTER, , FOR CL560 ONLY
7	84007096	2	STUD, , BSN C699
7	84452681	2	STUD, , ASN D700
8	433871	1	CLIP,
9	86629541	1	BOLT, Hex, M12 x 40, 8.8, Full Thd,
10	84007095	3	BRACKET,
11	140046	6	WASHER, Belleville, M12,
12	9706687	6	SCREW, Hex, M12 x 30, 8.8,
13	84007100	1	SUPPORT, , BSN C699
13	84452643	1	SUPPORT, , ASN D700
13	84461030	1	SUPPORT, , FOR CL560 ONLY
14	84449110	1	SUPPORT, , FOR CL560 ONLY

HIGH-CAPACITY GRAIN HEADER (1/02- )

20.06C(01) SIDE HILL WEIGHTS

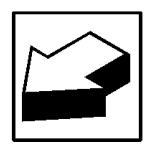
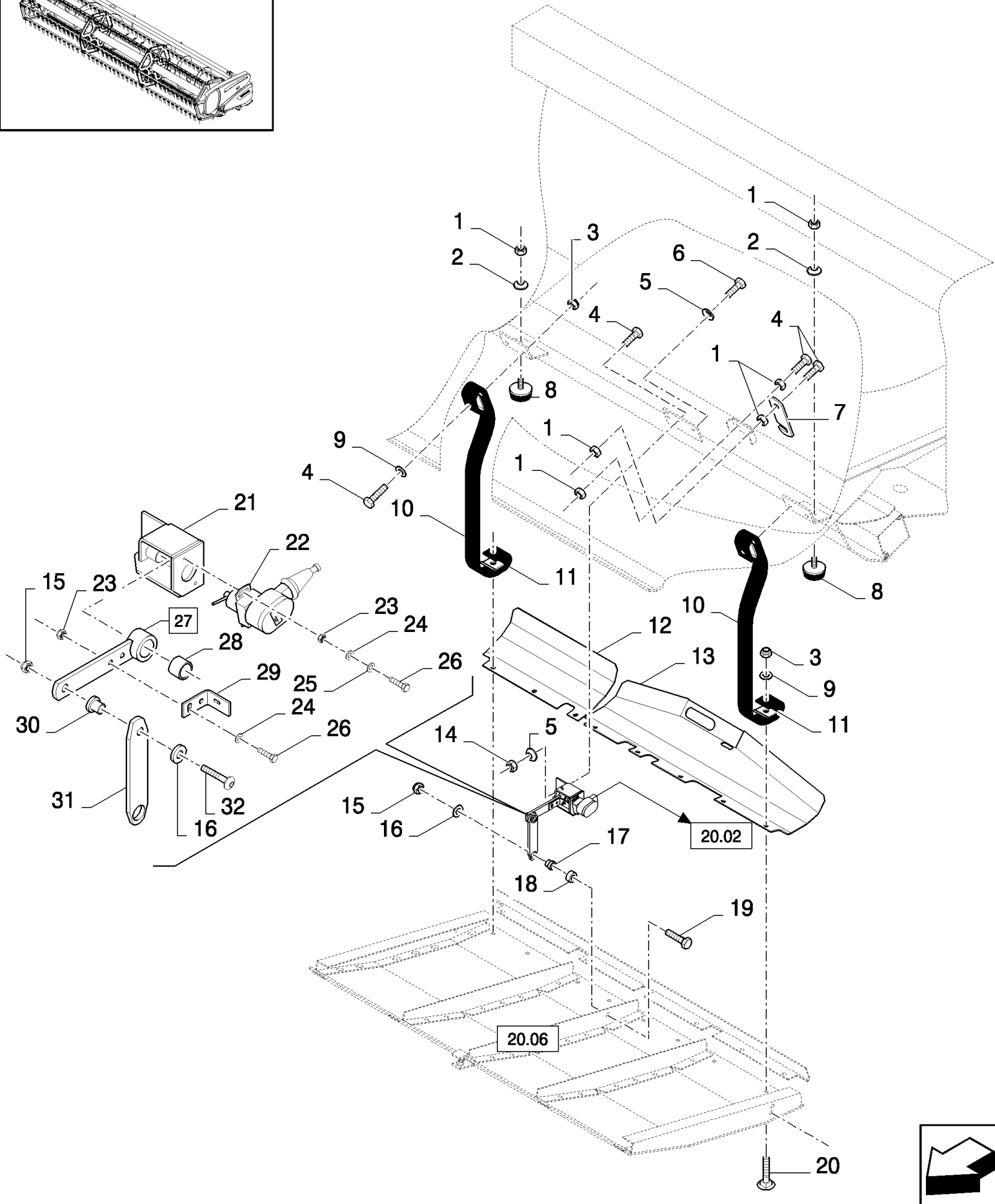
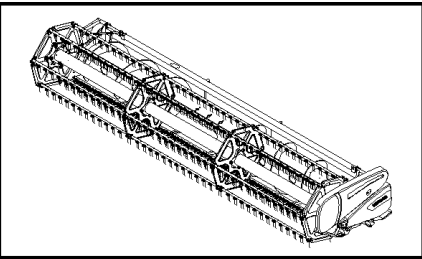


## HIGH-CAPACITY GRAIN HEADER (1/02- )

## 20.06C(01) SIDE HILL WEIGHTS

сылка	Номер детали	Кол-во	Описание
1	84449277	1	SUPPORT,
2	84007205	1	REINFORCEMENT,
3	84449234	15	WEIGHT, COUNTER,
4	84449276	1	SUPPORT,
5	84007096	2	STUD,
6	84449110	1	SUPPORT,
7	9511052	4	WASHER, M12 x 44 x 4, 12MM
8	9706685	11	NUT, M12, CI 8,
9	9706687	6	SCREW, Hex, M12 x 30, 8.8,
10	140046	6	WASHER, Belleville, M12,

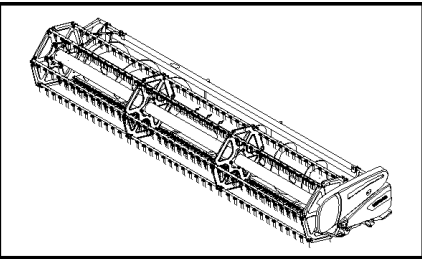
20.07(01) AUTOFLOAT SENSORS AND PLATES



## HIGH-CAPACITY GRAIN HEADER (1/02- )

## 20.07(01) AUTOFLOAT SENSORS AND PLATES

сылка	Номер детали	Кол-во	Описание
1	100016	14	NUT, M10, CI 8,
2	140045	6	WASHER, SPRING, Belleville, M10,
3	100037	8	NUT, M10 x 1.5, CI 8,
4	43140	8	BOLT, Hex, M10 x 30, 8.8, Full Thd,
5	322358	4	WASHER, SPRING, Belleville, M8,
6	120104	4	SCREW, Hex, M8 x 20, 8.8,
7	84036082	2	LOCK,
8	190029	4	INSULATOR BLOCK,
9	140042	8	WASHER, M10 x 34 x 3,
10	84032833	4	BAND,
11	84036081	8	CLAMP,
12	84989917	2	PLATE, , BSN C619
12	84098590	2	PLATE, , ASN D620
13	84989925	2	PLATE, , BSN C619
13	84098586	2	PLATE, , ASN D620
14	89706690	2	NUT, M8, CI 8,
15	86629542	3	NUT, LOCK, M8 x 1.25, CI 8,
16	86592699	3	WASHER, M6 x 23 x 4, HT, 8MM
17	9847466	2	BUSHING,
18	335873	2	SPACER,
19	43129	2	BOLT, Hex, M8 x 40, 8.8,
20	86512446	4	BOLT, CARRIAGE, Short NK, M10 x 30, CI8.8, Full Thd,
21	84989857	2	SUPPORT, , BSN C619
21	84098588	2	SUPPORT, , ASN D620
22	84078528	2	POTENTIOMETER,
23	86508813	8	NUT, M5, CI 8,
24	322356	8	WASHER, 5MM
25	9824326	8	WASHER, M5, 5MM
26	86050276	8	BOLT, Hex, M5 x 16, 8.8, Full Thd,
27	84989846	2	LEVER, (28), BSN C619
27	84098589	2	LEVER, , ASN D620
28	420761	2	BUSHING,
29	84989851	2	BRACKET,
30	9847466	2	BUSHING,
31	84989782	2	PLATE,
32	86512788	2	SCREW, M8x30



19	7	12 FT
----	---	-------

18	7	13 FT
----	---	-------

10	7	15 FT
----	---	-------

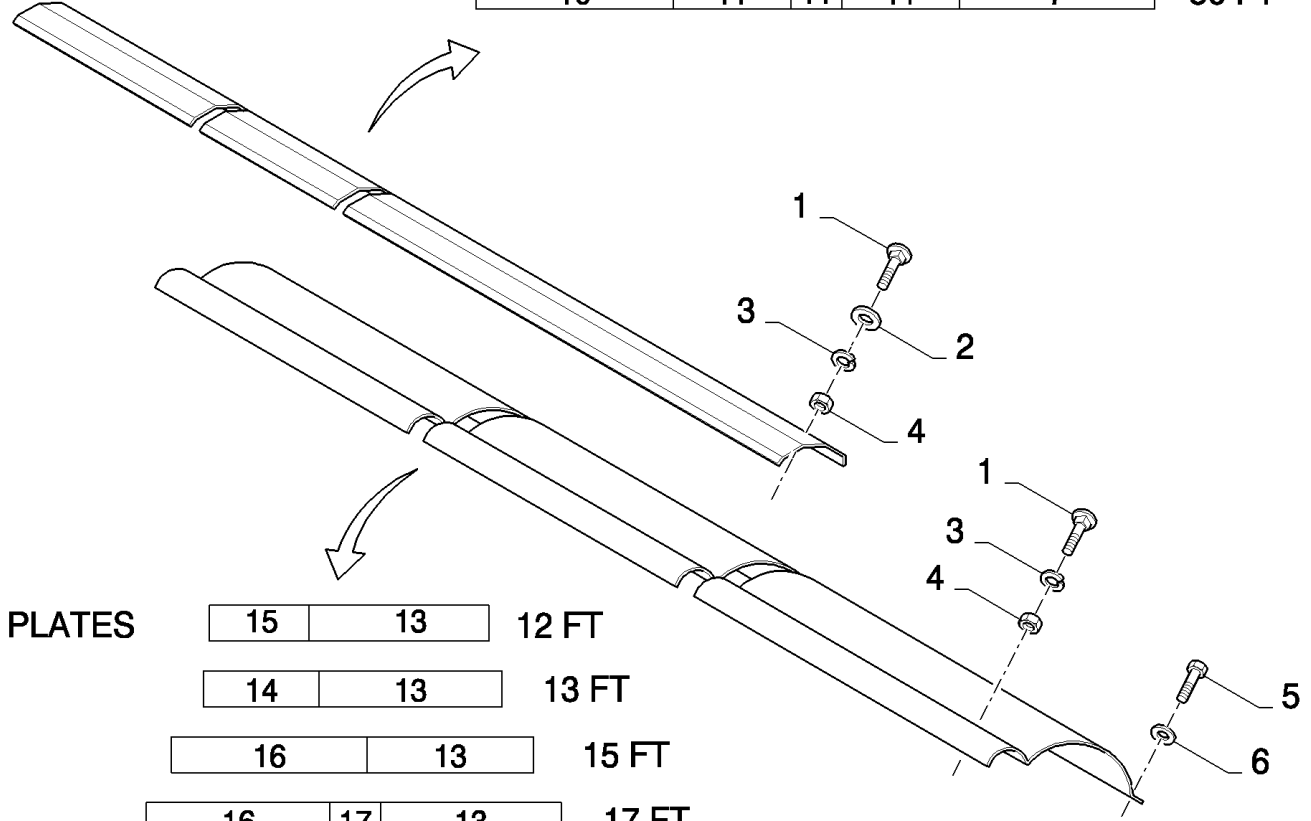
12	11	7	17 FT
----	----	---	-------

**PROTECTIONS SKIDS**

10	11	7	20 FT
----	----	---	-------

9	8	7	24 FT
---	---	---	-------

10	11	11	11	7	30 FT
----	----	----	----	---	-------



**FEED PLATES**

15	13	12 FT
----	----	-------

14	13	13 FT
----	----	-------

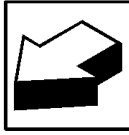
16	13	15 FT
----	----	-------

16	17	13	17 FT
----	----	----	-------

16	14	13	20 FT
----	----	----	-------

16	15	14	13	24 FT
----	----	----	----	-------

16	14	14	14	13	30 FT
----	----	----	----	----	-------



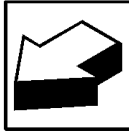
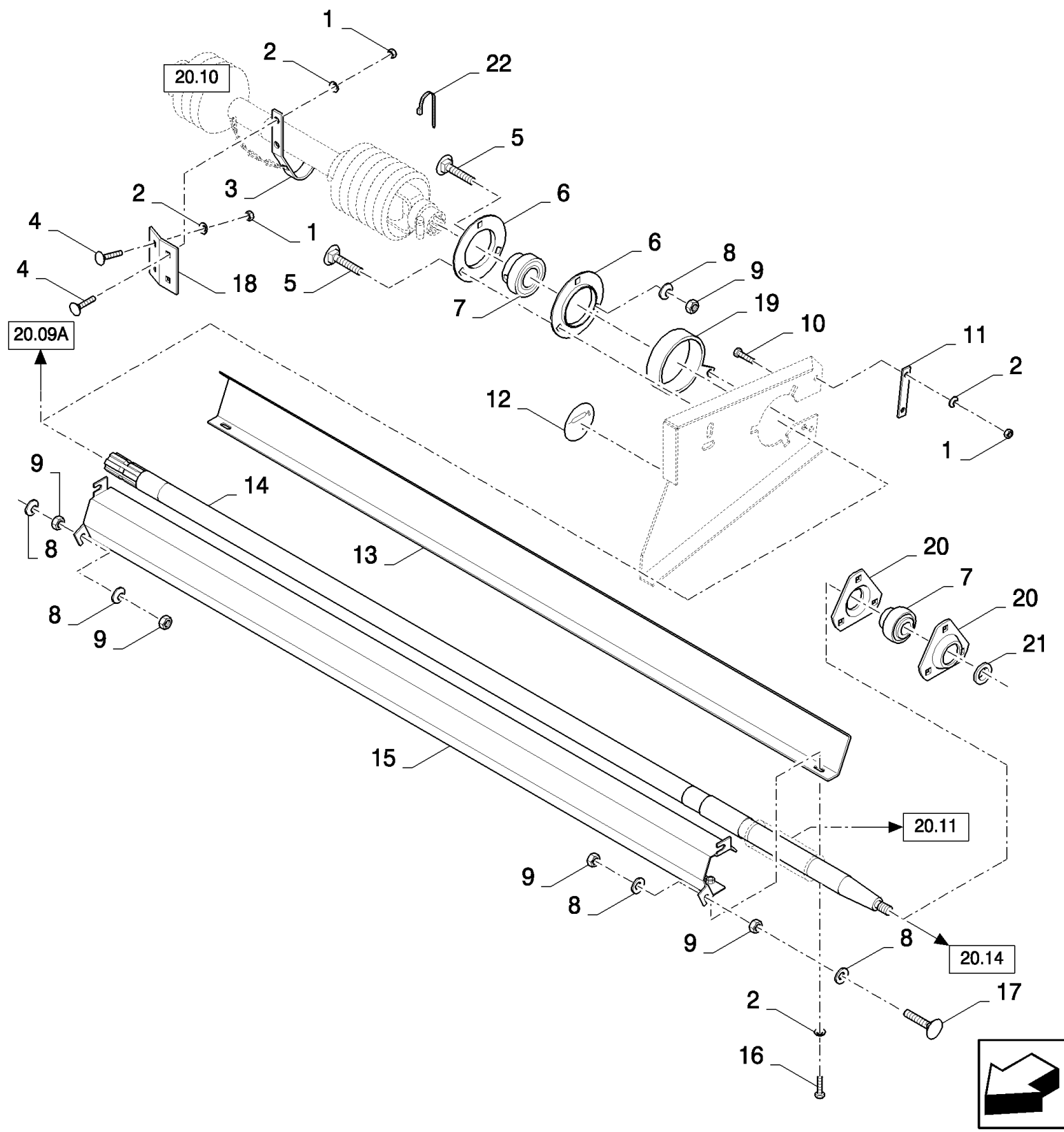
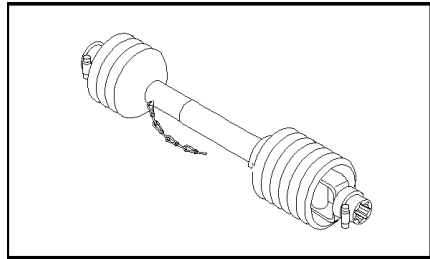
## HIGH-CAPACITY GRAIN HEADER (1/02- )

## 20.08(01) FEED PLATES AND PROTECTIONS SKIDS

сылка	Номер детали	Кол-во	Описание
1	86507486	AR	BOLT, CARRIAGE, Short NK, M8 x 20, CI8.8, Full Thd,
2	140041	AR	WASHER, M8 x 28 x 3,
3	322358	AR	WASHER, SPRING, Belleville, M8,
4	89706690	AR	NUT, M8, CI 8,
5	412684	AR	SCREW, M6x13
6	140015	AR	WASHER, 6MM
7	89838339	AR	PROFILE,
8	89838345	AR	PROFILE,
9	89838742	AR	PROFILE,
10	89838343	AR	PROFILE,
11	89838344	AR	PROFILE,
12	89838341	AR	PROFILE,
13	80740661	AR	PLATE,
14	80740663	AR	PLATE,
15	80740665	AR	PLATE,
16	80740662	AR	PLATE,
17	80740664	AR	PLATE,
18	89838342	AR	PROFILE,
19	89838341	AR	PROFILE,

HIGH-CAPACITY GRAIN HEADER (1/02- )

20.09(01) MAIN DRIVE



## HIGH-CAPACITY GRAIN HEADER (1/02- )

## 20.09(01) MAIN DRIVE

сылка	Номер детали	Кол-во	Описание
1	89706690	AR	NUT, M8, CI 8,
2	322358	AR	WASHER, SPRING, Belleville, M8,
3	9506965	1	SUPPORT,
4	86507486	AR	BOLT, CARRIAGE, Short NK, M8 x 20, CI8.8, Full Thd,
5	V43471	3	BOLT, M10x20
6	36403	2	FLANGE, , FOR 30FT ONLY, FOR HIGH-CAPACITY ONLY
6	36403	2	FLANGE, , FOR EXTRA-CAPACITY ONLY, FOR VARIFEED ONLY, FOR 20, 24 AND 30FT ONLY
7	322360	1	BEARING, BALL, , FOR 30FT ONLY, FOR HIGH-CAPACITY ONLY
7	322360	2	BEARING, BALL, , FOR EXTRA-CAPACITY ONLY, FOR 20, 24 AND 30FT ONLY, FOR VARIFEED ONLY
8	140045	7	WASHER, SPRING, Belleville, M10,
9	100016	7	NUT, M10, CI 8,
10	120104	2	SCREW, Hex, M8 x 20, 8.8, , FOR 30FT ONLY, FOR HIGH-CAPACITY ONLY
10	120104	2	SCREW, Hex, M8 x 20, 8.8, , FOR EXTRA-CAPACITY ONLY, FOR VARIFEED ONLY, FOR 20, 24 AND 30FT ONLY
11	9501016	1	SUPPORT, , FOR 30FT ONLY, FOR HIGH-CAPACITY ONLY
11	9501016	1	SUPPORT, , FOR EXTRA-CAPACITY ONLY, FOR 20, 24 AND 30FT ONLY, FOR VARIFEED ONLY
12	84334829	2	DECAL,
13	84043926	1	SHIELD, , FOR 30FT ONLY, FOR HIGH-CAPACITY ONLY
13	84449087	1	GUARD, , FOR 20FT ONLY, FOR EXTRA-CAPACITY ONLY, FOR VARIFEED ONLY, BSN C835
13	87397968	1	GUARD, , FOR VARIFEED ONLY, FOR EXTRA-CAPACITY ONLY, FOR 20FT ONLY, ASN D836
13	84449084	1	GUARD, , FOR EXTRA-CAPACITY ONLY, FOR VARIFEED ONLY, FOR 24FT ONLY, BSN C835
13	87397922	1	GUARD, , FOR 24FT ONLY, FOR VARIFEED ONLY, FOR EXTRA-CAPACITY ONLY, ASN D836
13	84449082	1	GUARD, , FOR EXTRA-CAPACITY ONLY, FOR 30FT ONLY, FOR VARIFEED ONLY, BSN C835
13	87391755	1	GUARD, , FOR VARIFEED ONLY, FOR 30FT ONLY, FOR EXTRA-CAPACITY ONLY, ASN D836
13	87397968	1	GUARD, , FOR VARIFEED ONLY, FOR 17FT ONLY
14	89850876	1	SHAFT, , FOR 12 TO 24FT ONLY, FOR HIGH-CAPACITY ONLY, BSN C035
14	87399026	1	, FOR HIGH-CAPACITY ONLY, FOR 12 TO 24FT ONLY, ASN D036
14	84037331	1	SHAFT, , FOR 15 AND 17 FT ONLY, FOR AL OR HILLSIDE SERIES ONLY, FOR HIGH-CAPACITY ONLY
14	84043901	1	SHAFT, , FOR HIGH-CAPACITY ONLY, FOR 30FT ONLY, BSN C751
14	84461336	1	COUNTERSHAFT, , FOR 30FT ONLY, FOR HIGH-CAPACITY ONLY, ASN D752
14	84444873	1	COUNTERSHAFT, , FOR 20FT ONLY, FOR EXTRA-CAPACITY ONLY, FOR VARIFEED ONLY
14	84444873	1	COUNTERSHAFT, , FOR VARIFEED ONLY, FOR 17FT ONLY
14	84446741	1	COUNTERSHAFT, , FOR VARIFEED ONLY, FOR EXTRA-CAPACITY ONLY, FOR 24FT ONLY
14	84444972	1	COUNTERSHAFT, , FOR EXTRA-CAPACITY ONLY, FOR 30FT ONLY, BSN C751
14	84460909	1	COUNTERSHAFT, , FOR 30FT ONLY, FOR EXTRA-CAPACITY ONLY, FOR VARIFEED ONLY, ASN D752
15	84043928	1	SHIELD, , FOR 30FT ONLY, FOR HIGH-CAPACITY ONLY
15	84449088	1	GUARD, , FOR 20FT ONLY, FOR EXTRA-CAPACITY ONLY, FOR VARIFEED ONLY, BSN C835
15	87397972	1	GUARD, , FOR VARIFEED ONLY, FOR EXTRA-CAPACITY ONLY, FOR 20FT ONLY, ASN D836
15	87397972	1	GUARD, , FOR VARIFEED ONLY, FOR 17FT ONLY
15	84449085	1	GUARD, , FOR EXTRA-CAPACITY ONLY, FOR 24FT ONLY, BSN C751
15	84461071	1	GUARD, , FOR 24FT ONLY, FOR EXTRA-CAPACITY ONLY, FOR VARIFEED ONLY, BSN F752835

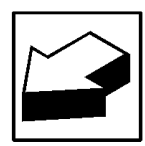
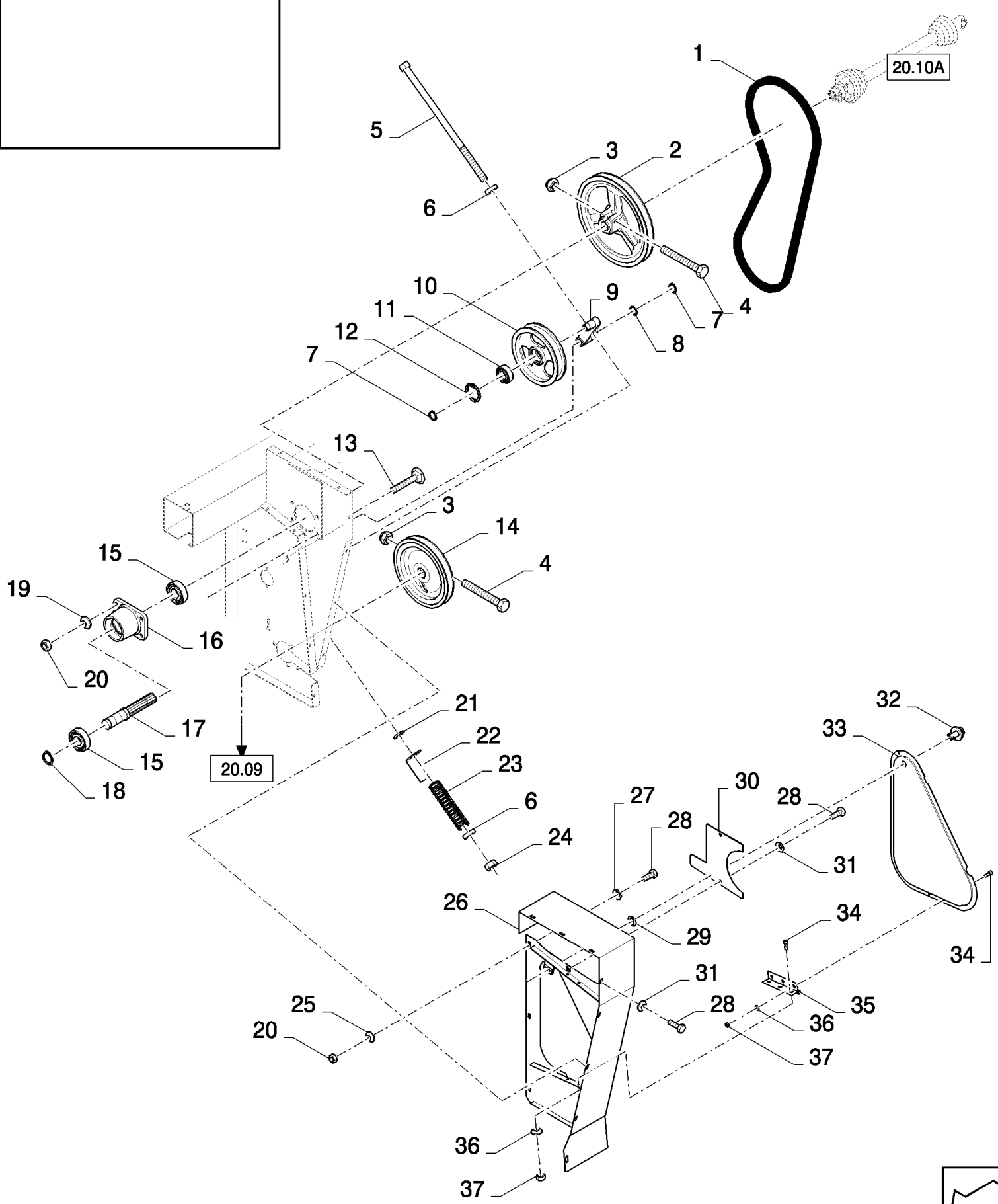
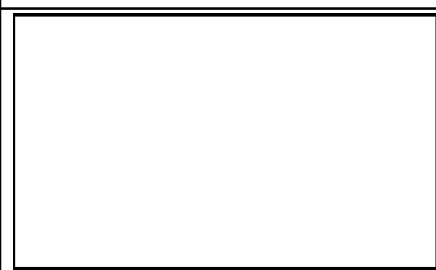
## HIGH-CAPACITY GRAIN HEADER (1/02- )

## 20.09(01) MAIN DRIVE

сылка	Номер детали	Кол-во	Описание
15	87397914	1	GUARD, , FOR VARIFEED ONLY, FOR EXTRA-CAPACITY ONLY, FOR 24FT ONLY, ASN D836
15	84449083	1	GUARD, , FOR EXTRA-CAPACITY ONLY, FOR 30FT ONLY, BSN C751
15	84461074	1	GUARD, , FOR 30FT ONLY, FOR EXTRA-CAPACITY ONLY, FOR VARIFEED ONLY, BSN F752835
15	87391751	1	GUARD, , FOR VARIFEED ONLY, FOR EXTRA-CAPACITY ONLY, FOR 30FT ONLY, ASN D836
16	16043224	10	BOLT, Hex, M8 x 16, 8.8, Full Thd, , FOR 30FT ONLY
17	86512446	4	BOLT, CARRIAGE, Short NK, M10 x 30, CI8.8, Full Thd, , FOR 30FT ONLY
18	84435788	1	SUPPORT, , FOR 12FT ONLY
18	84037762	1	SUPPORT, , FOR 13FT ONLY, BSN C649
18	84435788	1	SUPPORT, , FOR 13FT ONLY, ASN D650
19	84441703	1	PROTECTING COVER, , ASN D650
20	410434	2	FLANGE, , FOR EXTRA-CAPACITY ONLY, BSN C721
20	84814939	2	FLANGE, , FOR EXTRA-CAPACITY ONLY, ASN D722
21	87374315	1	BUSHING,
22	337049	1	CLAMP,

HIGH-CAPACITY GRAIN HEADER (1/02- )

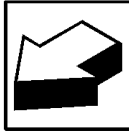
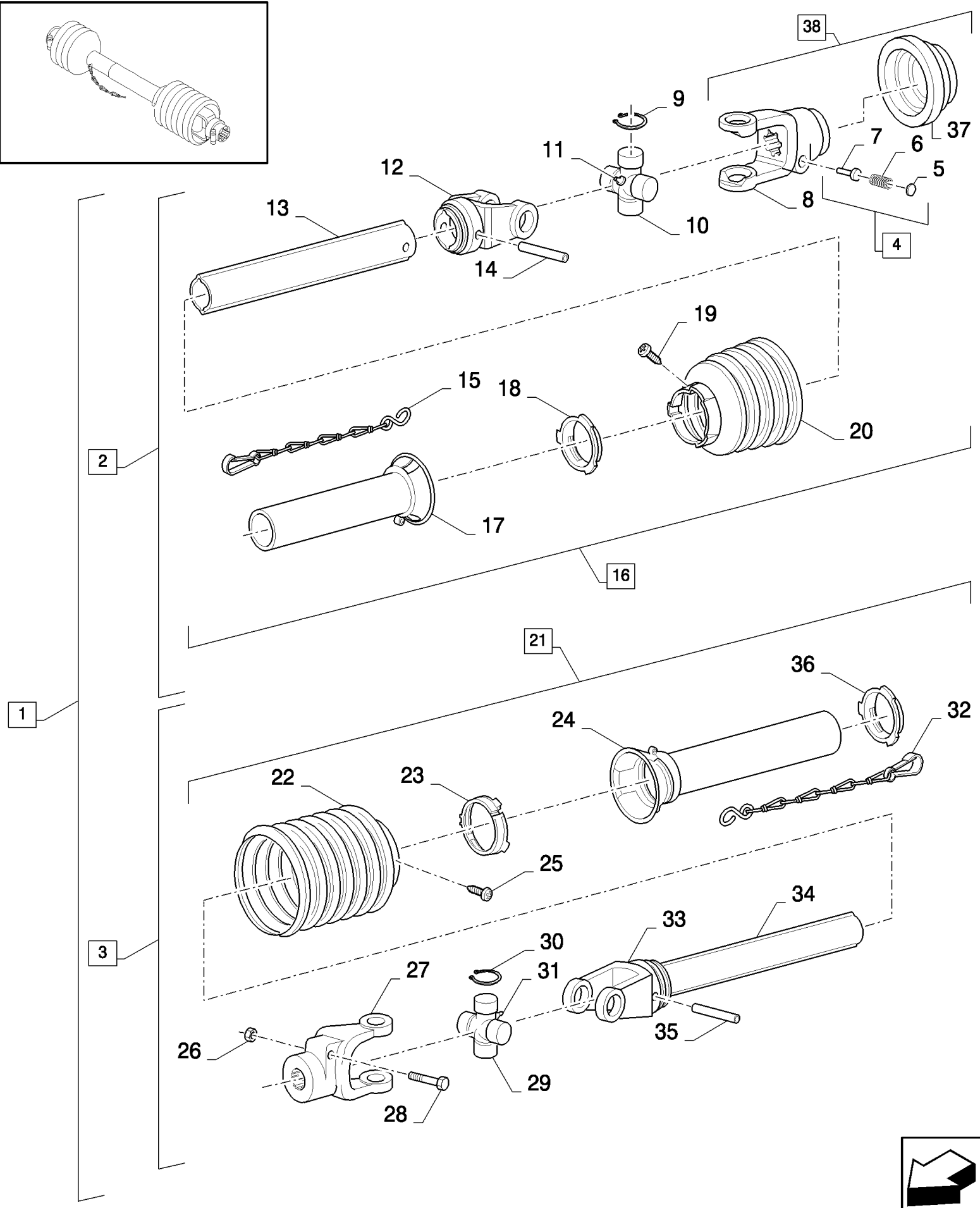
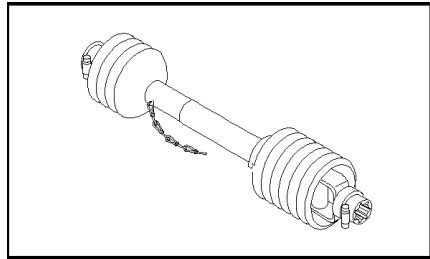
20.09A(01) MAIN DRIVE - FOR AL-CL COMBINES ONLY



## HIGH-CAPACITY GRAIN HEADER (1/02- )

## 20.09A(01) MAIN DRIVE - FOR AL-CL COMBINES ONLY

сылка	Номер детали	Кол-во	Описание
1	9817439	1	BELT, TRANSMISSION,
2	84442224	1	PULLEY,
3	100038	2	NUT, M12 x 1.75, CI 8,
4	43158	2	BOLT, Hex, M12 x 80, 8.8,
5	84442325	1	BOLT,
6	86511326	2	WASHER, M16 x 30 x 3,
7	370002	2	RING, SNAP, M25, Ext,
8	140104	1	WASHER,
9	84441745	1	ARM, , BSN C715
9	84454230	1	ARM, , ASN D716
10	80751505	1	PULLEY,
11	80034439	1	BEARING ASSY,
12	370011	1	RING, SNAP, M52, Int,
13	374892	4	BOLT, CARRIAGE, Short NK, M10 x 40, CI8.8, Full Thd,
14	84012137	1	PULLEY,
15	320557	2	BEARING ASSY,
16	9502165	1	FLANGE,
17	84012196	1	SHAFT,
18	11068376	1	RING, SNAP, M35, Ext x 1.5 Thk,
19	140045	4	WASHER, SPRING, Belleville, M10,
20	100016	7	NUT, M10, CI 8,
21	84053238	1	WASHER,
22	84437494	1	INDICATOR,
23	440651	1	SPRING,
24	412066	1	NUT, LOCK, M16 x 2, CI 8,
25	322358	3	WASHER, SPRING, Belleville, M8,
26	84442302	1	SHIELD,
27	378243	3	WASHER, M8,
28	16043224	10	BOLT, Hex, M8 x 16, 8.8, Full Thd,
29	9514605	1	WASHER,
30	84442413	1	COVER,
31	412650	9	WASHER, Belleville, M8,
32	89514603	1	LOCK,
33	84012976	1	COVER,
34	86585706	4	SCREW, Cross Pan Hd, M4 x 10,
35	350083	1	HINGE,
36	322355	4	WASHER, Belleville, M4,
37	100012	4	NUT, M4, CI 8,



## HIGH-CAPACITY GRAIN HEADER (1/02- )

## 20.10(01) POWER TAKE -OFF - NOT FOR AL-CL COMBINES

сылка	Номер детали	Кол-во	Описание
1	89833808	1	SHAFT, PTO, , FOR EXTRA-CAPACITY ONLY, FOR 17FT ONLY, FOR HIGH-CAPACITY ONLY
1	87592318	1	PTO, , FOR 17FT ONLY, FOR VARIFEED ONLY, SEE FIGURE 20.10D
1	89819948	1	SHAFT, PTO, , FOR 20FT ONLY, BSN C649
1	84400456	1	SHAFT, PTO, , FOR 20FT ONLY, FOR HIGH-CAPACITY ONLY, ASN D650
1	84400456	1	SHAFT, PTO, , FOR HIGH-CAPACITY ONLY, FOR 30FT ONLY, BSN F650751
1	84801552	1	PTO, , FOR 30FT ONLY, FOR HIGH-CAPACITY ONLY, SEE FIGURE 20.10B, BSN F752807
1	87333974	1	PTO, , FOR HIGH-CAPACITY ONLY, FOR 30FT ONLY, SEE FIGURE 20.10C, ASN D808
1	84400456	1	SHAFT, PTO, , FOR 20, 24 AND 30FT ONLY, FOR EXTRA-CAPACITY ONLY, BSN C751
1	84801552	1	PTO, , FOR EXTRA-CAPACITY ONLY, FOR 20, 24 AND 30FT ONLY, SEE FIGURE 20.10B, BSN F752807
1	87333974	1	PTO, , FOR EXTRA-CAPACITY AND VARIFEED ONLY, FOR 20, 24 AND 30FT ONLY, SEE FIGURE 20.10C, ASN D808
1	84058990	1	SHAFT, PTO, , FOR 24FT ONLY, FOR HIGH-CAPACITY ONLY, BSN C649
1	84400457	1	SHAFT, PTO, , FOR HIGH-CAPACITY ONLY, FOR 24FT ONLY, ASN D650
1	84037107	1	SHAFT, PTO, , FOR 12FT ONLY, BSN C649
1	84437555	1	SHAFT, PTO, , FOR 12FT ONLY, ASN D650
1	84037100	1	SHAFT, PTO, , FOR 13FT ONLY
1	89833807	1	SHAFT, PTO, , FOR 15FT ONLY
2	89833872	1	SHAFT, PTO, Inner(4 to 20), FOR 17FT ONLY, BSN C781
2	87316662	1	SHAFT, PTO, (4 to 20, 37, 38), FOR 17FT ONLY, ASN D782
2	89833878	1	SHAFT, PTO, Inner(4 to 20), FOR 20 AND 30FT ONLY, BSN C649
2	84444118	1	SHAFT, PTO, , FOR 20 AND 30FT ONLY, FOR HIGH-CAPACITY ONLY, BSN F650781
2	87317006	1	SHAFT, PTO, , FOR HIGH-CAPACITY ONLY, FOR 20 AND 30FT ONLY, ASN D782
2	84444118	1	SHAFT, PTO, , FOR 20, 24 AND 30FT ONLY, FOR EXTRA-CAPACITY ONLY
2	84078706	1	SHAFT, PTO, Inner(4 to 20), FOR HIGH-CAPACITY ONLY, FOR 24FT ONLY, BSN C649
2	84444090	1	SHAFT, PTO, , FOR 24FT ONLY, FOR HIGH-CAPACITY ONLY, ASN D650
2	84441561	1	SHAFT, PTO, Inner(4 to 20), FOR 12FT ONLY, BSN C649
2	84037103	1	SHAFT, PTO, Inner(4 to 20), FOR 12FT ONLY, BSN F650781
2	87316714	1	SHAFT, PTO, (4 to 20, 37, 38), FOR 12FT ONLY, ASN D782
2	84037096	1	SHAFT, PTO, Inner(4 to 20), FOR 13FT ONLY, BSN C781
2	87316643	1	SHAFT, PTO, (4 to 20, 37, 38), FOR 13FT ONLY, ASN D782
2	89833866	1	SHAFT, PTO, Inner(4 to 20), FOR 15FT ONLY, BSN C781
2	87316681	1	SHAFT, PTO, (4 to 20, 37, 38), FOR 15FT ONLY, ASN D782
3	89833869	1	SHAFT, PTO, Outer(21 to 35), FOR 17FT ONLY
3	89833875	1	SHAFT, PTO, Outer(21 to 35), FOR 20 AND 30FT ONLY, BSN C649
3	84444119	1	SHAFT, PTO, , FOR 20 AND 30FT ONLY, FOR HIGH-CAPACITY ONLY, ASN D650
3	84444119	1	SHAFT, PTO, , FOR 20, 24 AND 30FT ONLY, FOR EXTRA-CAPACITY ONLY
3	84078703	1	SHAFT, PTO, Outer(21 to 35), FOR HIGH-CAPACITY ONLY, FOR 24FT ONLY, BSN C649
3	84444091	1	SHAFT, PTO, , FOR 24FT ONLY, FOR HIGH-CAPACITY ONLY, ASN D650
3	84037106	1	SHAFT, PTO, Outer(21 to 35), FOR 12FT ONLY, BSN C649
3	84441562	1	SHAFT, PTO, Outer(21 to 35), FOR 12FT ONLY, ASN D650
3	84037099	1	SHAFT, PTO, Outer(21 to 35), FOR 13FT ONLY
3	89833863	1	SHAFT, PTO, Outer(21 to 35), FOR 15FT ONLY
4	744051	1	KIT, (5 to 7), BSN C781

## HIGH-CAPACITY GRAIN HEADER (1/02- )

## 20.10(01) POWER TAKE -OFF - NOT FOR AL-CL COMBINES

сылка	Номер детали	Кол-во	Описание
5	427846	1	DISC, , BSN C781
6	427847	1	SPRING, , BSN C781
7	427848	1	PIN, ROLL, , BSN C781
8	89506558	1	YOKE, , FOR 12 TO 17FT ONLY
8	89506558	1	YOKE, , FOR 20 AND 30FT ONLY, BSN C649
8	84444122	1	YOKE, , FOR 20 AND 30FT ONLY, FOR HIGH-CAPACITY ONLY, ASN D650
8	84444122	1	YOKE, , FOR 20, 24 AND 30FT ONLY, FOR EXTRA-CAPACITY ONLY
8	89512325	1	TRACK ROD END, , FOR HIGH-CAPACITY ONLY, FOR 24FT ONLY, BSN C649
8	53412	1	YOKE, , FOR 24FT ONLY, FOR HIGH-CAPACITY ONLY, ASN D650
9	456770	4	CIRCLIP, , FOR HIGH-CAPACITY ONLY, FOR 12 TO 20FT AND 30FT ONLY
9	456770	4	CIRCLIP, , FOR EXTRA-CAPACITY ONLY, FOR 20, 24 AND 30FT ONLY
9	456752	4	CIRCLIP, , FOR HIGH-CAPACITY ONLY, FOR 24FT ONLY
10	161742	1	SPIDER, , FOR 12 TO 20FT AND 30FT ONLY
10	418936	1	SPIDER, , FOR 24FT ONLY
11	150024	1	NIPPLE, LUBE, 45с, M8 x 1, 45° Elbow, Coupler End, M8 x 1
12	556924	1	YOKE, , FOR 12 TO 20FT AND 30FT ONLY
12	440522	1	YOKE, , FOR 24FT ONLY
13	89833873	1	TUBE, , FOR 17FT ONLY
13	89833879	1	TUBE, , FOR 20 AND 30FT ONLY, FOR HIGH-CAPACITY ONLY
13	89833879	1	TUBE, , FOR 20, 24 AND 30FT ONLY, FOR EXTRA-CAPACITY ONLY
13	84078707	1	TUBE, , FOR HIGH-CAPACITY ONLY, FOR 24FT ONLY
13	84037102	1	TUBE, , FOR 12FT ONLY, BSN C649
13	84441565	1	TUBE, , FOR 12FT ONLY, ASN D650
13	84037101	1	TUBE, , FOR 13FT ONLY
13	89833867	1	TUBE, , FOR 15FT ONLY
14	412690	1	PIN, M10 x 65, Slotted, , FOR 12 TO 20FT AND 30FT ONLY, FOR HIGH-CAPACITY ONLY
14	412690	1	PIN, M10 x 65, Slotted, , FOR EXTRA-CAPACITY ONLY, FOR 20, 24 AND 30FT ONLY
14	62218	1	PIN, LOCK, M10 x 75, Slotted, , FOR HIGH-CAPACITY ONLY, FOR 24FT ONLY
15	379650	1	CHAIN,
16	89833874	1	PROTECTING COVER, (17 to 20), FOR 17FT ONLY
16	89833880	1	PROTECTING COVER, (17 to 20), FOR 20 AND 30FT ONLY, FOR HIGH-CAPACITY ONLY, BSN C649
16	84444120	1	PROTECTING COVER, , FOR HIGH-CAPACITY ONLY, FOR 20 AND 30FT ONLY, ASN D650
16	84444120	1	PROTECTING COVER, , FOR 20, 24 AND 30FT ONLY, FOR EXTRA-CAPACITY ONLY
16	84078709	1	PROTECTING COVER, (17 to 20), FOR HIGH-CAPACITY ONLY, FOR 24FT ONLY, BSN C649
16	84444092	1	PROTECTING COVER, , FOR 24FT ONLY, FOR HIGH-CAPACITY ONLY, ASN D650
16	84038068	1	PROTECTING COVER, (17 to 20), FOR 12FT ONLY, BSN C649
16	84441563	1	PROTECTING COVER, (17 to 20), FOR 12FT ONLY, ASN D650
16	84038069	1	PROTECTING COVER, (17 to 20), FOR 13FT ONLY
16	89833868	1	PROTECTING COVER, (17 to 20), FOR 15FT ONLY
17	456679	1	COLLAR,
18	728164	1	RING, , FOR 12 TO 20FT AND 30FT ONLY, FOR HIGH-CAPACITY ONLY
18	728164	1	RING, , FOR EXTRA-CAPACITY ONLY, FOR 20, 24 AND 30FT ONLY
18	411728	1	RACE, RING, , FOR HIGH-CAPACITY ONLY, FOR 24FT ONLY

## HIGH-CAPACITY GRAIN HEADER (1/02- )

## 20.10(01) POWER TAKE -OFF - NOT FOR AL-CL COMBINES

сылка	Номер детали	Кол-во	Описание
19	321803	1	SCREW, Cross Pan Hd, M4 x 10, M4x10, BSN C781
19	86585706	1	SCREW, Cross Pan Hd, M4 x 10, , ASN D782
20	84014006	1	SHIELD, , FOR 17FT ONLY
20	84014006	1	SHIELD, , FOR 20 AND 30FT ONLY, FOR HIGH-CAPACITY ONLY, BSN C649
20	84444124	1	PROTECTING COVER, , FOR HIGH-CAPACITY ONLY, FOR 20 AND 30FT ONLY, ASN D650
20	84444124	1	PROTECTING COVER, , FOR 20, 24 AND 30FT ONLY, FOR EXTRA-CAPACITY ONLY
20	84078708	1	PROTECTING COVER, , FOR HIGH-CAPACITY ONLY, FOR 24FT ONLY, BSN C649
20	84444095	1	PROTECTING COVER, , FOR 24FT ONLY, FOR HIGH-CAPACITY ONLY, ASN D650
21	89833871	1	PROTECTING COVER, (22 to 25), FOR 17FT ONLY
21	89833877	1	PROTECTING COVER, (22 to 25), FOR 20 AND 30FT ONLY, FOR HIGH-CAPACITY ONLY, BSN C649
21	84444121	1	PROTECTING COVER, , FOR HIGH-CAPACITY ONLY, FOR 20 AND 30FT ONLY, ASN D650
21	84444121	1	PROTECTING COVER, , FOR 20, 24 AND 30FT ONLY, FOR EXTRA-CAPACITY ONLY
21	84078705	1	PROTECTING COVER, (22 to 25), FOR HIGH-CAPACITY ONLY, FOR 24FT ONLY, BSN C649
21	84444093	1	PROTECTING COVER, , FOR 24FT ONLY, FOR HIGH-CAPACITY ONLY, ASN D650
21	84037104	1	PROTECTING COVER, (22 to 25), FOR 12FT ONLY, BSN C649
21	84441564	1	PROTECTING COVER, (22 to 25), FOR 12FT ONLY, ASN D650
21	84037097	1	PROTECTING COVER, (22 to 25), FOR 13FT ONLY
21	89833865	1	PROTECTING COVER, (22 to 25), FOR 15FT ONLY
22	89833862	1	PROTECTING COVER, , FOR 12 TO 17FT ONLY
22	89833862	1	PROTECTING COVER, , FOR HIGH-CAPACITY ONLY, FOR 20 AND 30FT ONLY, BSN C649
22	84444126	1	PROTECTING COVER, , FOR 20 AND 30FT ONLY, FOR HIGH-CAPACITY ONLY, ASN D650
22	84078704	1	PROTECTING COVER, , FOR HIGH-CAPACITY ONLY, FOR 24FT ONLY, BSN C649
22	84444096	1	PROTECTING COVER, , FOR 24FT ONLY, FOR HIGH-CAPACITY ONLY, ASN D650
23	728164	1	RING, , FOR 12 TO 20FT AND 30FT ONLY
23	411728	1	RACE, RING, , FOR 24FT ONLY
24	456679	1	COLLAR,
25	321803	1	SCREW, Cross Pan Hd, M4 x 10, M4x10
26	412126	1	NUT, LOCK, M12 x 1.75, CI 8,
27	89506563	1	YOKE, , FOR 12 TO 17FT ONLY
27	89506563	1	YOKE, , FOR HIGH-CAPACITY ONLY, FOR 20 AND 30FT ONLY, BSN C649
27	84444123	1	CLUTCH, , FOR 20 AND 30FT ONLY, FOR HIGH-CAPACITY ONLY, ASN D650
27	84444123	1	CLUTCH, , FOR 20, 24 AND 30FT ONLY, FOR EXTRA-CAPACITY ONLY
27	89512330	1	TRACK ROD END, , FOR HIGH-CAPACITY ONLY, FOR 24FT ONLY, BSN C649
27	84444094	1	CLUTCH, , FOR 24FT ONLY, FOR HIGH-CAPACITY ONLY, ASN D650
28	9706693	1	BOLT, Hex, M12 x 60, 8.8, , FOR HIGH-CAPACITY ONLY, FOR 12 TO 20FT AND 30FT ONLY, BSN C781
28	9706693	1	BOLT, Hex, M12 x 60, 8.8, , FOR 12 TO 20FT AND 30FT ONLY, FOR HIGH-CAPACITY ONLY, ASN D782
28	9706693	1	BOLT, Hex, M12 x 60, 8.8, , FOR EXTRA-CAPACITY ONLY, FOR 20, 24 AND 30FT ONLY
28	300809	1	BOLT, Hex, M12 x 65, 8.8, M12x65, FOR HIGH-CAPACITY ONLY, FOR 24FT ONLY
29	161742	1	SPIDER, , FOR HIGH-CAPACITY ONLY, FOR 12 TO 20FT AND 30FT ONLY
29	161742	1	SPIDER, , FOR 20, 24 AND 30FT ONLY, FOR EXTRA-CAPACITY ONLY
29	418936	1	SPIDER, , FOR HIGH-CAPACITY ONLY, FOR 24FT ONLY

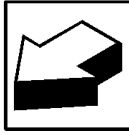
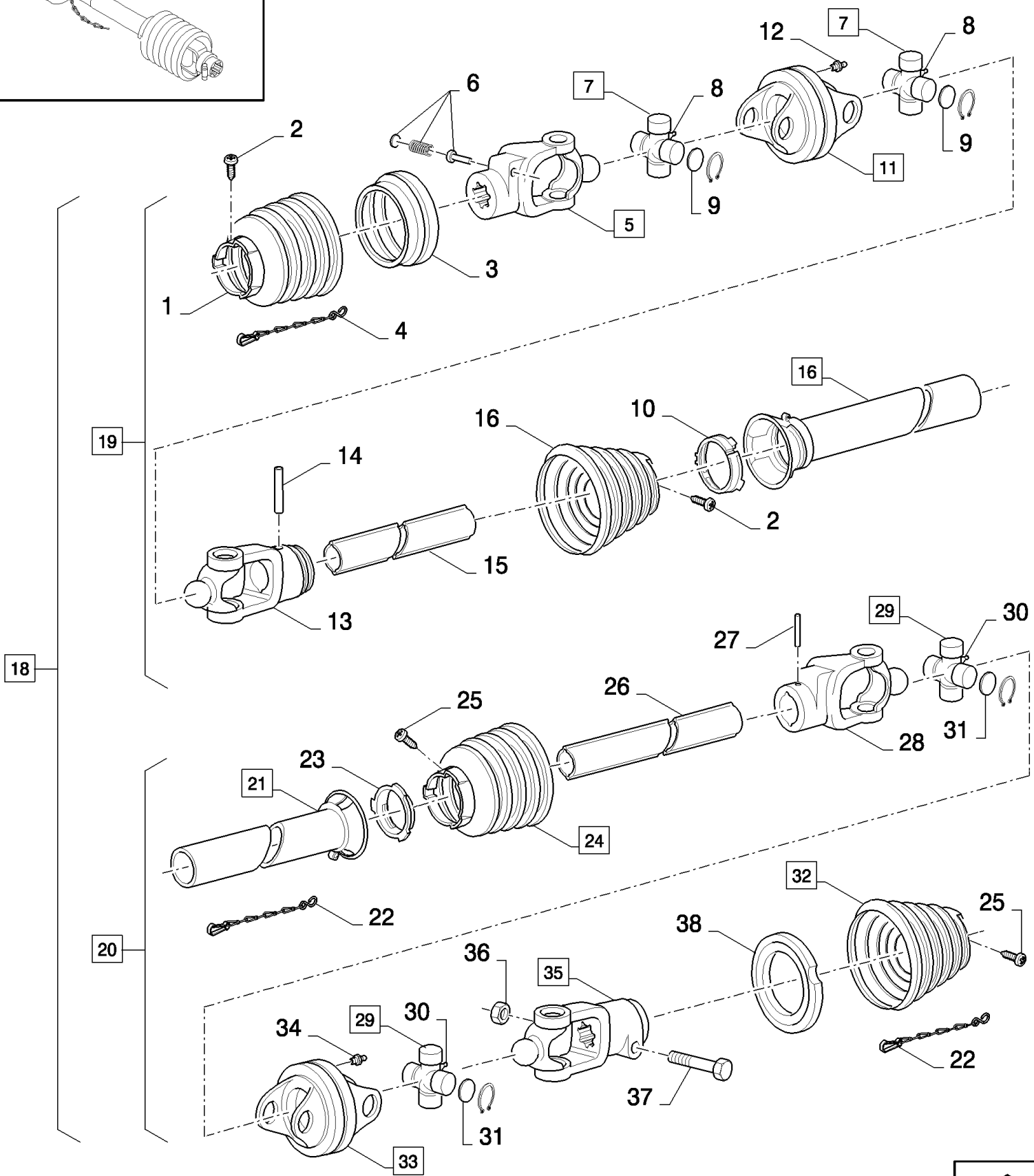
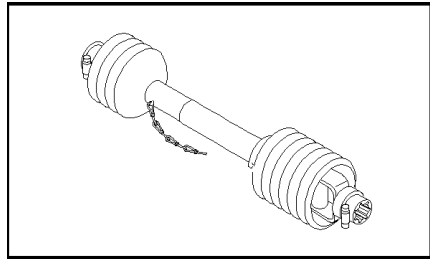
## HIGH-CAPACITY GRAIN HEADER (1/02- )

## 20.10(01) POWER TAKE -OFF - NOT FOR AL-CL COMBINES

сылка	Номер детали	Кол-во	Описание
30	456770	4	CIRCLIP, , FOR HIGH-CAPACITY ONLY, FOR 12 TO 20FT AND 30FT ONLY
30	456770	4	CIRCLIP, , FOR EXTRA-CAPACITY ONLY, FOR 20, 24 AND 30FT ONLY
30	456752	4	CIRCLIP, , FOR HIGH-CAPACITY ONLY, FOR 24FT ONLY
31	150024	1	NIPPLE, LUBE, 45с, M8 x 1, 45° Elbow, Coupler End, M8 x 1
32	379650	1	CHAIN,
33	556927	1	YOKE, , FOR 13 TO 20FT AND 30FT ONLY, FOR HIGH-CAPACITY ONLY
33	556927	1	YOKE, , FOR 20, 24 AND 30FT ONLY, FOR EXTRA-CAPACITY ONLY
33	440521	1	YOKE, , FOR HIGH-CAPACITY ONLY, FOR 24FT ONLY
33	84037105	1	TUBE, , FOR 12FT ONLY, BSN C649
33	84441567	1	YOKE, , FOR 12FT ONLY, ASN D650
34	89833870	1	TUBE, , FOR 17FT ONLY
34	89833876	1	TUBE, , FOR 20 AND 30FT ONLY, FOR HIGH-CAPACITY ONLY
34	89833876	1	TUBE, , FOR 20, 24 AND 30FT ONLY, FOR EXTRA-CAPACITY ONLY
34	84078702	1	TUBE, , FOR HIGH-CAPACITY ONLY, FOR 24FT ONLY
34	84441566	1	TUBE, , FOR 12FT ONLY, ASN D650
34	84037098	1	TUBE, , FOR 13FT ONLY
34	89833864	1	TUBE, , FOR 15FT ONLY
35	412690	1	PIN, M10 x 65, Slotted, , FOR 12 TO 20FT AND 30FT ONLY, FOR HIGH-CAPACITY ONLY
35	412690	1	PIN, M10 x 65, Slotted, , FOR EXTRA-CAPACITY ONLY, FOR 20, 24 AND 30FT ONLY
35	62218	1	PIN, LOCK, M10 x 75, Slotted, , FOR HIGH-CAPACITY ONLY, FOR 24FT ONLY
36	84444125	1	RING, , FOR HIGH-CAPACITY ONLY, FOR 20 AND 30FT ONLY, ASN D650
36	84444125	1	RING, , FOR 20, 24 AND 30FT ONLY, FOR EXTRA-CAPACITY ONLY
36	277860	1	BEARING ASSY, , FOR HIGH-CAPACITY ONLY, FOR 24FT ONLY, ASN D650
37	87316647	1	COLLAR, , ASN D782
38	87316646	1	YOKE, (8,37), ASN D782

HIGH-CAPACITY GRAIN HEADER (1/02-)

20.10A(01) POWER TAKE-OFF - FOR AL-CL COMBINES ONLY



## HIGH-CAPACITY GRAIN HEADER (1/02- )

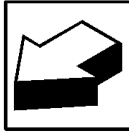
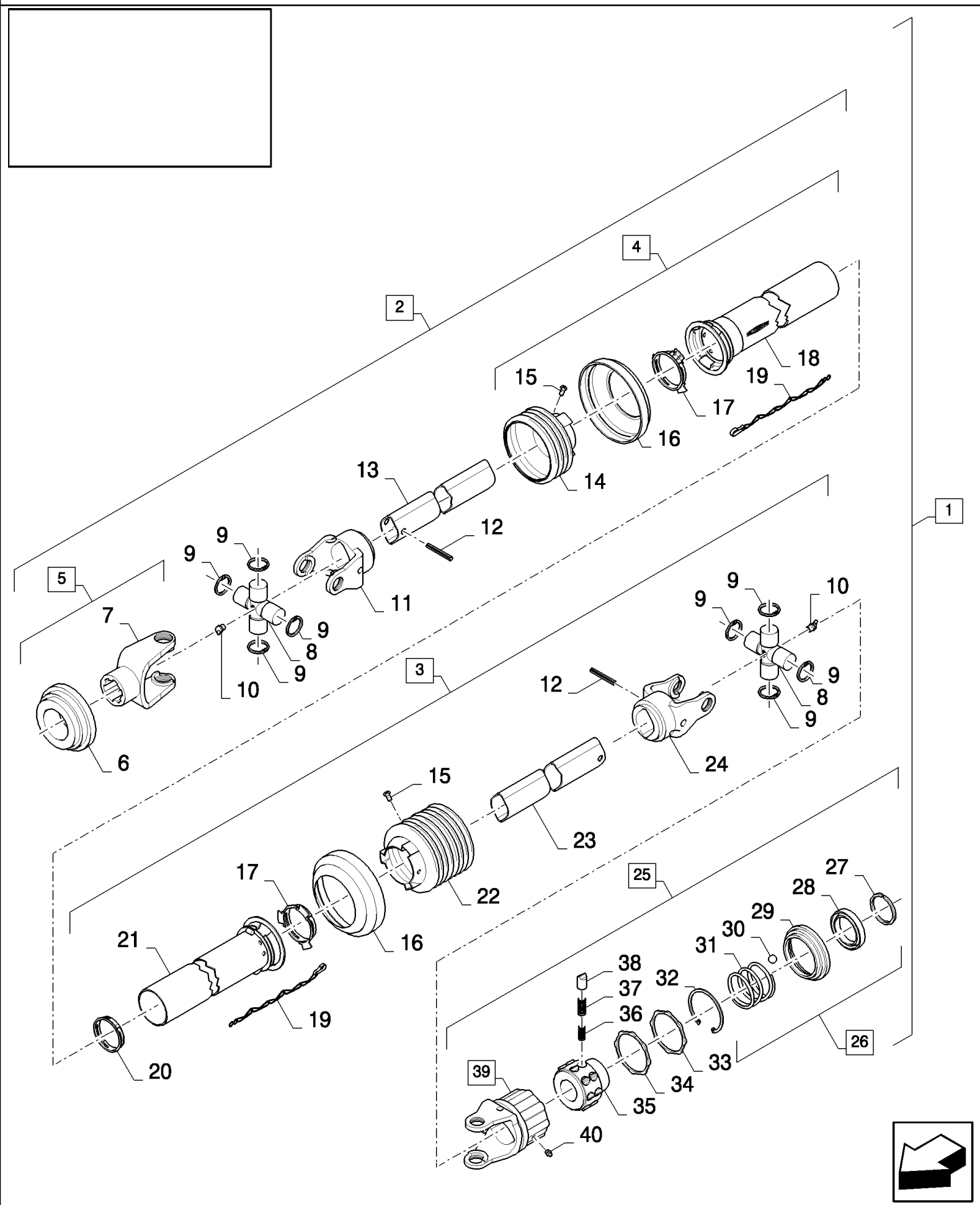
## 20.10A(01) POWER TAKE -OFF - FOR AL-CL COMBINES ONLY

сылка	Номер детали	Кол-во	Описание
1	84023654	1	PROTECTION CAP,
2	321803	7	SCREW, Cross Pan Hd, M4 x 10,
3	84023655	1	RING,
4	84042067	1	CHAIN,
5	84023645	1	YOKE, (6)
6	744051	1	KIT,
7	84023647	2	SPIDER, (8,9)
8	150024	2	NIPPLE, LUBE, 45с, M8 x 1,
9	84023648	4	WASHER,
10	728164	1	RING,
11	84023649	1	YOKE, (12)
12	300919	1	NIPPLE, LUBE,
13	84023650	1	YOKE,
14	412690	1	PIN, M10 x 65, Slotted,
15	84023651	1	TUBE,
16	84023643	1	GUARD, (2,10,17)
17	84023656	1	PROTECTION CAP, (2)
18	84012999	1	SHAFT, PTO, (19,20), FOR 15FT ONLY, BSN C509
18	84012999	1	SHAFT, PTO, , FOR 15FT ONLY, SEE FIGURE 20.10E, ASN D060
18	84004037	1	SHAFT, PTO, (19,20), FOR 17FT ONLY, BSN C059
18	84004037	1	SHAFT, PTO, , FOR 17FT ONLY, SEE FIGURE 20.10E, ASN D060
18	87377851	1	SHAFT, PTO, , SEE FIGURE 20.10E, FOR 20FT ONLY
19	84023641	1	SHAFT, PTO, (1 to 17), FOR 15FT ONLY
19	84023657	1	SHAFT, PTO, (1 to 17), FOR 17FT ONLY
20	84023642	1	SHAFT, PTO, (21 to 38), FOR 15FT ONLY
20	84023658	1	SHAFT, PTO, (21 to 38), FOR 17FT ONLY
21	84023644	1	PROTECTING COVER, (22 to 25), FOR 15FT ONLY
21	84023660	1	PROTECTING COVER, , FOR 17FT ONLY
22	84042067	2	CHAIN,
23	728164	1	RING,
24	84023656	1	PROTECTION CAP, (25)
25	321803	7	SCREW, Cross Pan Hd, M4 x 10,
26	84023652	1	TUBE, , FOR 15FT ONLY
26	84023662	1	TUBE, , FOR 17FT ONLY
27	412690	1	PIN, M10 x 65, Slotted,
28	84023653	1	YOKE,
29	84023647	2	SPIDER, (30,31)
30	150024	2	NIPPLE, LUBE, 45с, M8 x 1,
31	84023648	4	WASHER,
32	84023654	1	PROTECTION CAP,
33	84023649	1	YOKE, (34)
34	300919	1	NIPPLE, LUBE,
35	84023646	1	YOKE, (36,37)
36	412126	1	NUT, LOCK, M12 x 1.75, CI 8,

## HIGH-CAPACITY GRAIN HEADER (1/02- )

## 20.10A(01) POWER TAKE -OFF - FOR AL-CL COMBINES ONLY

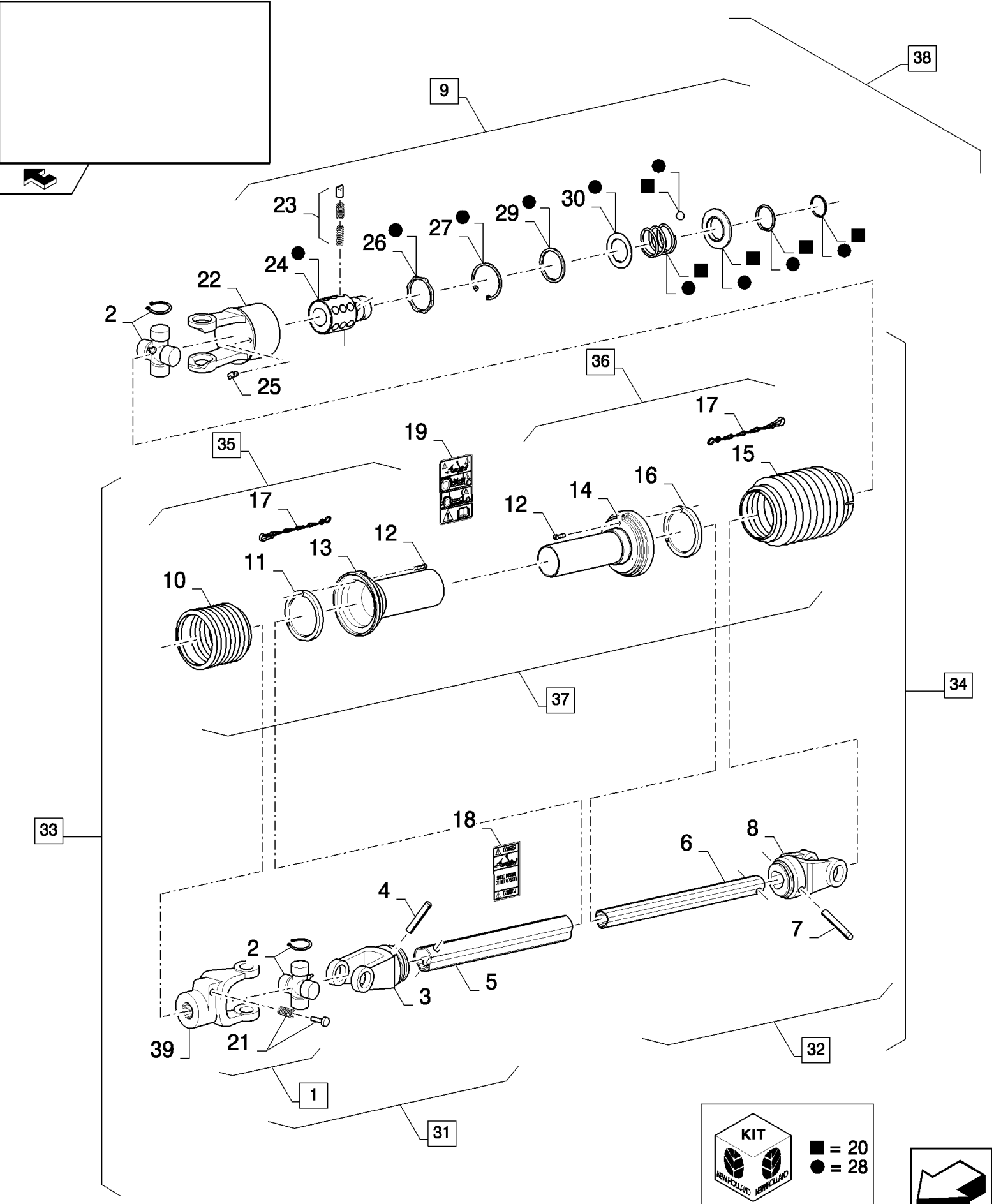
сылка	Номер детали	Кол-во	Описание
37	350460	1	BOLT, Hex, M12 x 75, 8.8,
38	84023655	1	RING,



## HIGH-CAPACITY GRAIN HEADER (1/02- )

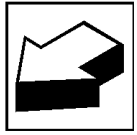
## 20.10B(01) POWER TAKE -OFF - NOT FOR AL-CL COMBINES

сылка	Номер детали	Кол-во	Описание
1	84801552	1	PTO, (2 to 40)
2	87317006	1	SHAFT, PTO, (4 to 19)
3	87318185	1	PTO, (8, 9, 10, 12, 15, 16, 17, 19, 20 to 40)
4	84444120	1	PROTECTING COVER,
5	87316646	1	YOKE, (6, 7)
6	87316647	1	COLLAR,
7	89506558	1	YOKE,
8	161742	2	SPIDER,
9	456770	8	CIRCLIP,
10	150024	2	NIPPLE, LUBE, 45с, M8 x 1,
11	556924	1	YOKE,
12	412690	2	PIN, M10 x 65, Slotted,
13	89833879	1	TUBE,
14	84444124	1	PROTECTING COVER,
15	86585706	2	SCREW, Cross Pan Hd, M4 x 10,
16	456679	2	COLLAR,
17	728164	2	RING,
18	84800831	1	DECAL,
19	379650	2	CHAIN,
20	84444125	1	RING,
21	87323485	1	SHIELD,
22	87323484	1	SHIELD,
23	87323487	1	TUBE,
24	556927	1	YOKE,
25	87323486	1	CLUTCH, (26 to 40)
26	87335338	1	LOCK, (27 to 31)
27	87335339	1	RING, SNAP,
28	87335340	1	RING,
29	87335341	1	GROMMET,
30	87335342	1	BALL,
31	87335343	1	COMPRESSOR, SPRING,
32	80300633	1	RING, SNAP,
33	86636027	1	RING,
34	87335344	1	SEAL,
35	87335346	1	HUB,
36	279346	14	SPRING,
37	386510	24	SPRING,
38	275246	24	CAM,
39	87335347	1	YOKE, (40)
40	300919	1	NIPPLE, LUBE,



**KIT**  
NEWHOLLAND NEWHOLLAND

■ = 20  
● = 28



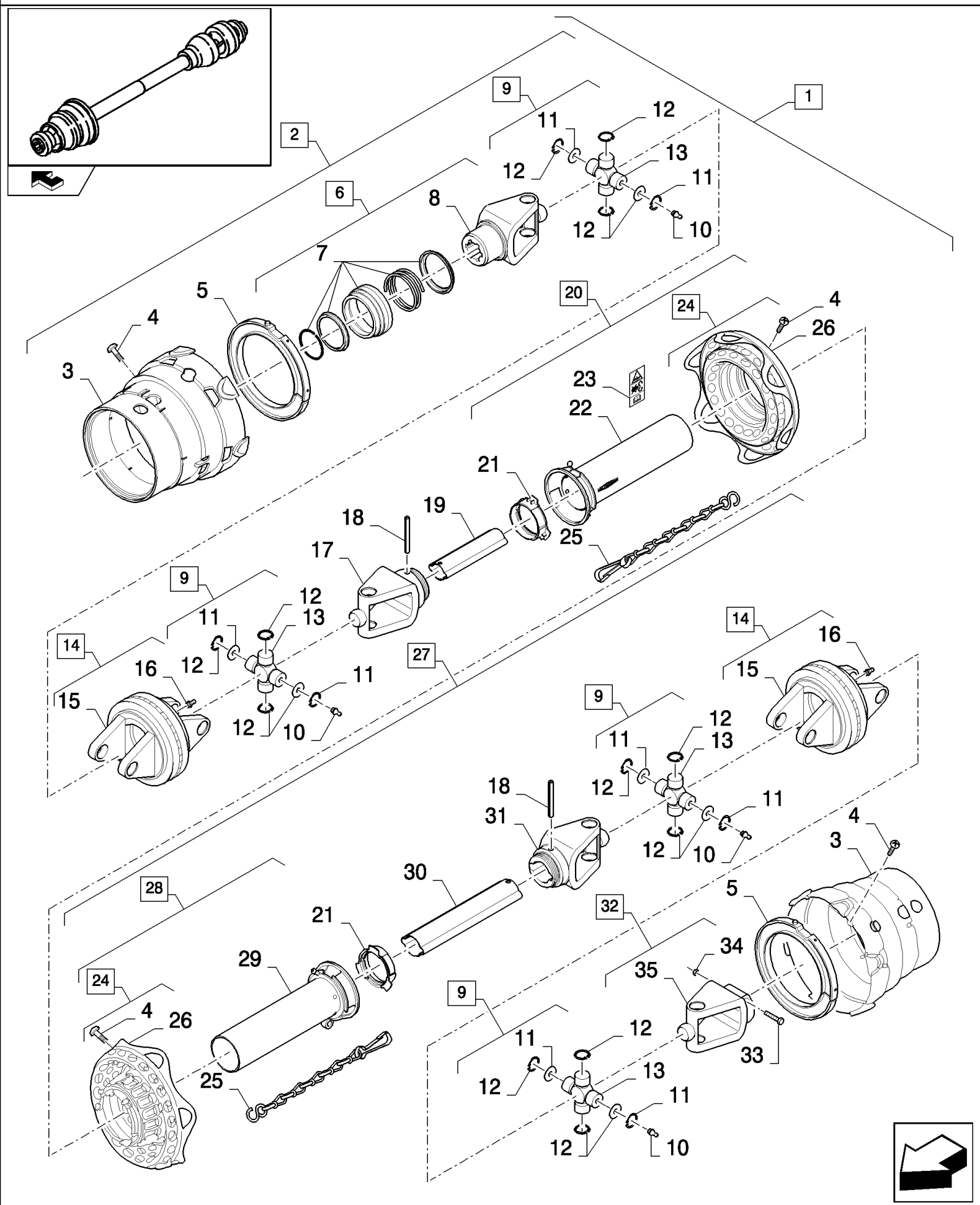
## HIGH-CAPACITY GRAIN HEADER (1/02- )

## 20.10C( 01) POWER TAKE -OFF

сылка	Номер детали	Кол-во	Описание
1	87586116	1	YOKE, (21,39)
2	87586145	2	SPIDER,
3	87586146	1	YOKE,
4	87586147	1	PIN, ROLL,
5	87586148	1	TUBE,
6	87586149	1	TUBE,
7	87586150	1	PIN, ROLL,
8	87586151	1	YOKE,
9	87586152	1	COUPLING, (20, 22 TO 30)
10	87586153	1	SHIELD,
11	87586154	1	SUPPORT,
12	87586687	6	SCREW,
13	87586688	1	SHIELD, OUTER,
14	87586689	1	SHIELD, INNER,
15	87586690	1	SHIELD,
16	87586691	1	SUPPORT,
17	87586692	2	CHAIN,
18	87586693	1	DECAL,
19	87586694	1	DECAL,
20	87586696	1	KIT, CLUTCH OVERHAUL,
21	87586708	1	PIN,
22	87586709	1	HOUSING,
23	87586710	18	KIT, CLUTCH OVERHAUL,
24	87586711	1	BUSHING,
25	87586712	1	NIPPLE, LUBE,
26	87586713	1	RING,
27	87586714	1	CIRCLIP,
28	87586715	1	KIT, CLUTCH OVERHAUL,
29	87586716	1	RING,
30	87586717	1	RING, SNAP,
31	87588680	1	SHAFT, PTO, (1,3 TO 5,21,39)
32	87588684	1	SHAFT, PTO, (6 TO 9,20, 22 TO 30)
33	87588685	1	SHAFT, PTO, (1,3 TO 5,10 TO 13,17,21,31,35,39)
34	87588686	1	SHAFT, PTO, (6 TO 9,15 TO 17,20, 22 TO 30,32,36)
35	87588687	1	SHAFT, PTO, (10 TO 13, 17)
36	87588688	1	SHAFT, PTO, (12,15 TO 17)
37	87588689	1	PTO, (10 TO 17,19)
38	87333974	1	PTO, (1 TO 37,39)
39	NSS	1	NOT SERVICED SEPARATELY,

HIGH-CAPACITY GRAIN HEADER (1/02- )

20.10E( 01) POWER TAKE -OFF



## HIGH-CAPACITY GRAIN HEADER (1/02- )

## 20.10E( 01) POWER TAKE -OFF

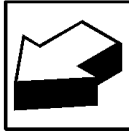
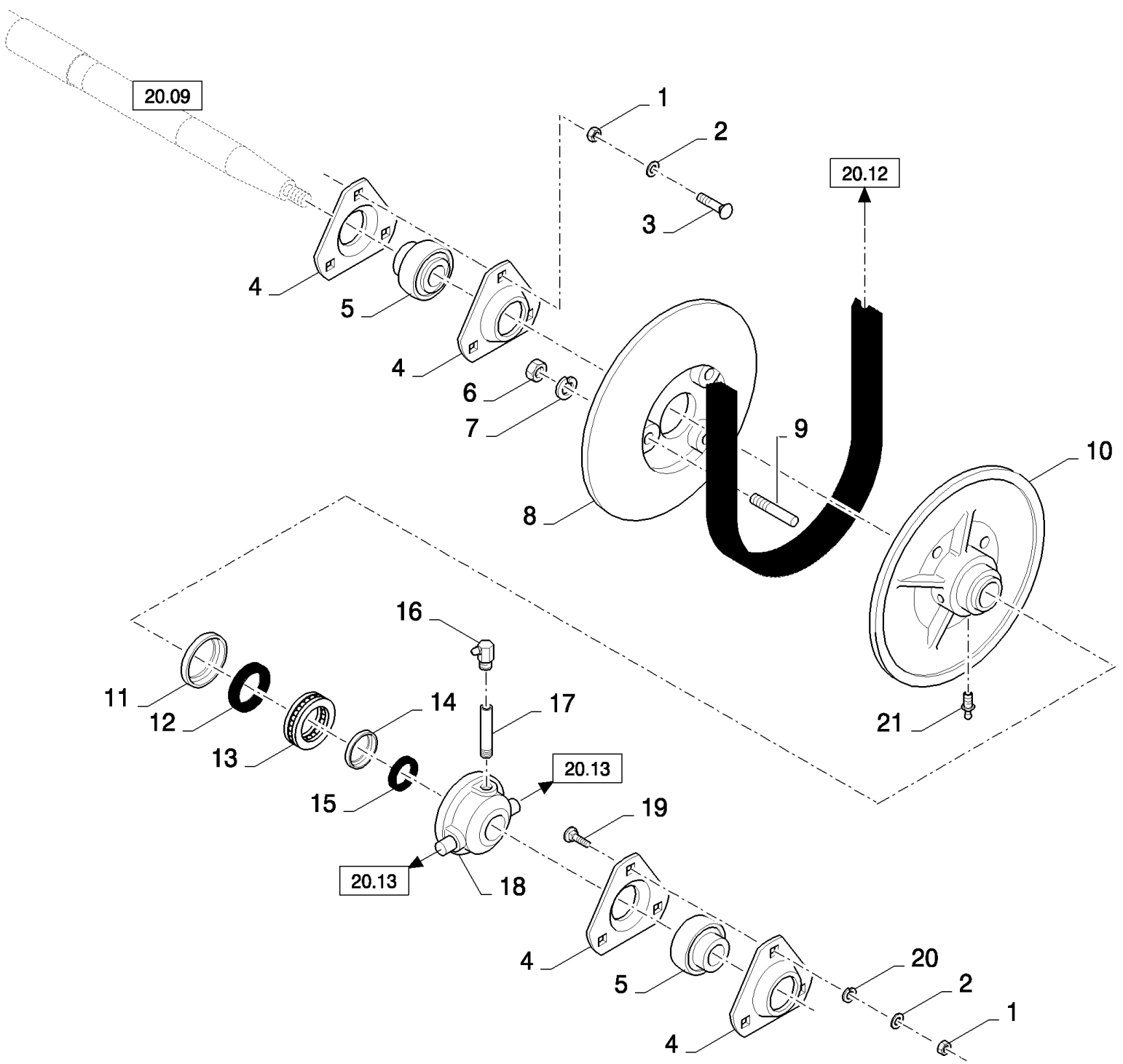
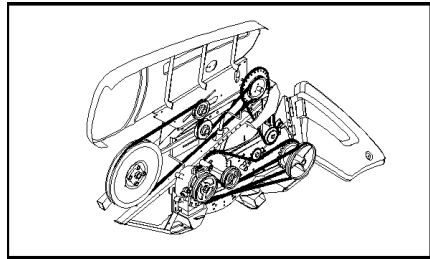
сылка	Номер детали	Кол-во	Описание
1	84012999	1	SHAFT, PTO, (2 TO 34), FOR 15FT ONLY
1	84004037	1	SHAFT, PTO, (2 TO 34), FOR 17FT ONLY
1	87377851	1	SHAFT, PTO, (2 TO 34), FOR 20FT ONLY
2	87617754	1	SHAFT, PTO, (2 TO 26), FOR 15FT ONLY
2	87618343	1	SHAFT, PTO, (2 TO 26), FOR 17FT ONLY
2	87532937	1	SHAFT, PTO, (2 TO 26), FOR 20FT ONLY
3	87532994	2	GUARD,
4	86585706	18	SCREW, Cross Pan Hd, M4 x 10,
5	84023655	2	RING,
6	87532978	1	YOKE, (7,8)
7	87316647	1	COLLAR,
8	NSS	1	NOT SERVICED SEPARATELY,
9	87532980	4	SPIDER, (10 TO 13)
10	150024	4	NIPPLE, LUBE, 45с, M8 x 1,
11	84023648	8	WASHER, , FOR 15FT ONLY, FOR 17FT ONLY
11	84023647	8	SPIDER, , FOR 20FT ONLY
12	NSS	16	NOT SERVICED SEPARATELY,
13	NSS	4	NOT SERVICED SEPARATELY,
14	84023649	2	YOKE, (15,16)
15	NSS	2	NOT SERVICED SEPARATELY,
16	300919	2	NIPPLE, LUBE,
17	84023650	1	YOKE,
18	412690	2	PIN, M10 x 65, Slotted,
19	84023651	1	TUBE, , FOR 15FT ONLY
19	84023661	1	TUBE, , FOR 17FT ONLY
19	87532982	1	TUBE, , FOR 20FT ONLY
20	87617783	1	PROTECTING COVER, (4,21 TO 26), FOR 15FT ONLY, FOR 17FT ONLY
20	87532972	1	PROTECTING COVER, (4,21 TO 24,26), FOR 20FT ONLY
21	728164	2	RING,
22	NSS	1	NOT SERVICED SEPARATELY,
23	84800831	1	DECAL,
24	87532996	2	GUARD, (4,26)
25	9602979	2	CHAIN,
26	NSS	2	NOT SERVICED SEPARATELY,
27	87617781	1	SHAFT, PTO, (4,9 TO 16,18,21,24 TO 26,28 TO 34), FOR 15FT ONLY
27	87618355	1	SHAFT, PTO, (4,9 TO 16,18,21,24 TO 26,28 TO 34), FOR 17FT ONLY
27	87532961	1	SHAFT, PTO, (4,9 TO 16,18,21,24 TO 26,28 TO 34), FOR 20FT ONLY
28	87617784	1	PROTECTING COVER, (4,21,24 TO 26,29), FOR 15FT ONLY, FOR 17FT ONLY
28	87532973	1	PROTECTING COVER, (4,21,24,26,29), FOR 20FT ONLY
29	NSS	1	NOT SERVICED SEPARATELY,
30	84023652	1	TUBE, , FOR 15FT ONLY
30	84023662	1	TUBE, , FOR 17FT ONLY
30	87532991	1	TUBE, , FOR 20FT ONLY
31	84023653	1	YOKE,

## HIGH-CAPACITY GRAIN HEADER (1/02- )

## 20.10E( 01) POWER TAKE -OFF

сылка	Номер детали	Кол-во	Описание
32	84023646	1	YOKE, (33,34)
33	350460	1	BOLT, Hex, M12 x 75, 8.8,
34	412126	1	NUT, LOCK, M12 x 1.75, Cl 8,

20.11(01) REEL VARIATOR DRIVE

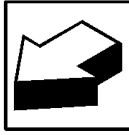
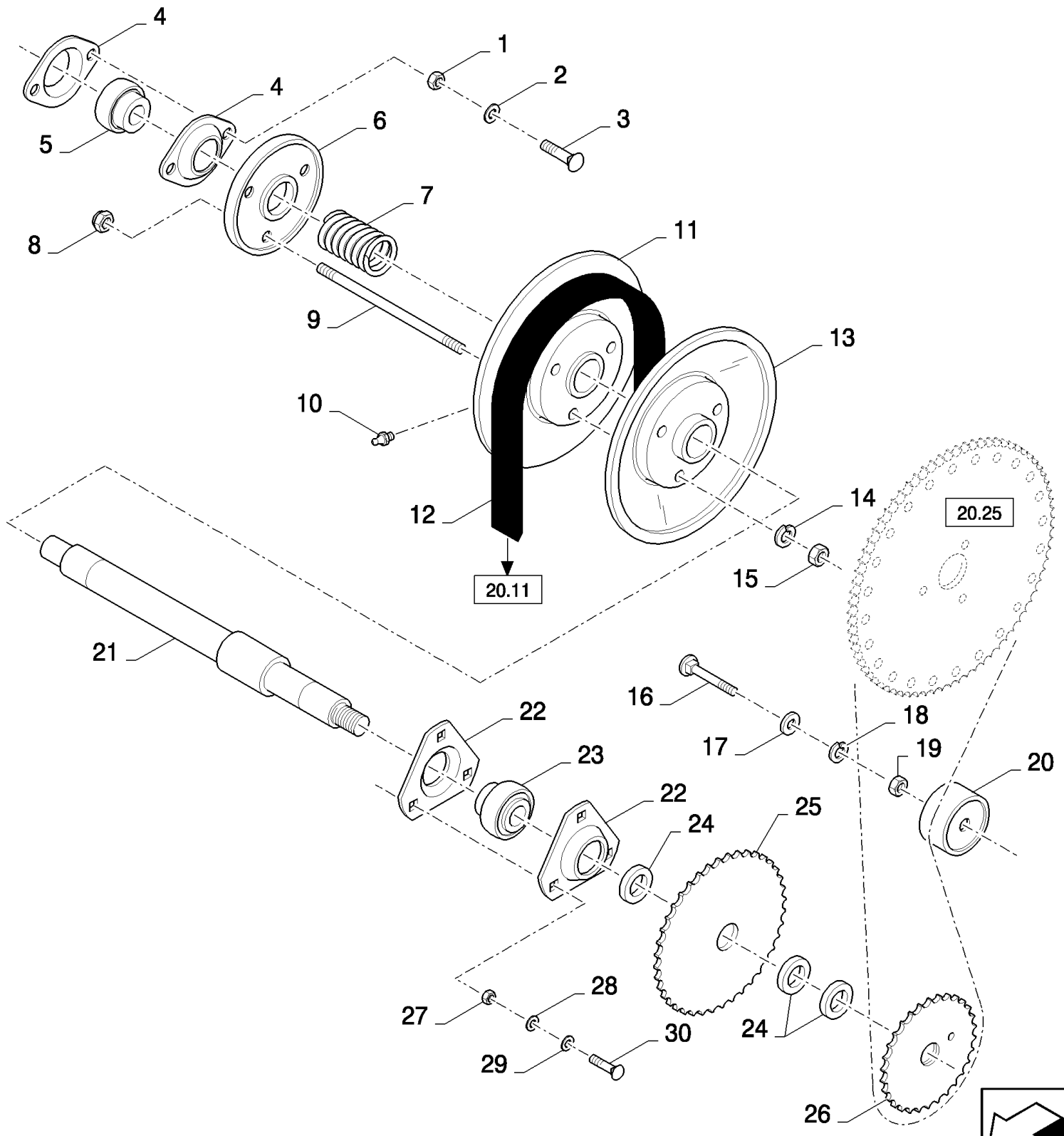
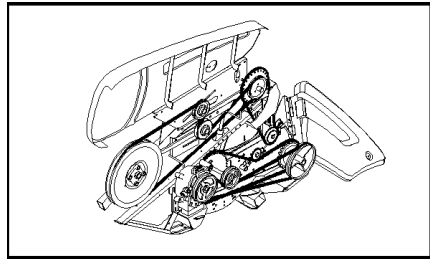


## HIGH-CAPACITY GRAIN HEADER (1/02- )

## 20.11(01) REEL VARIATOR DRIVE

сылка	Номер детали	Кол-во	Описание
1	100016	6	NUT, M10, CI 8,
2	140045	6	WASHER, SPRING, Belleville, M10,
3	V43471	3	BOLT, M10x20
4	86620026	4	FLANGE,
5	322360	2	BEARING, BALL,
6	100020	3	NUT, M16, CI 8,
7	140048	3	WASHER, SPRING, Belleville, M16,
8	89819350	1	DISC,
9	110055	3	STUD,
10	89819916	1	DISC,
11	320399	1	CIRCLIP,
12	309088	1	ELEMENT, SEALING,
13	210054	1	BEARING ASSY,
14	320397	1	RETAINER,
15	220010	1	ELEMENT, SEALING,
16	323713	1	NIPPLE, LUBE,
17	84017396	1	TUBE,
18	380402	1	HOUSING, BEARING,
19	11106231	3	BOLT, Hex, M10 x 25, 10.9, Full Thd,
20	378244	3	WASHER, M10,
21	321204	1	NIPPLE, LUBE, M6 x 1, 16mm lg,

20.12(01) REEL VARIATOR DRIVE

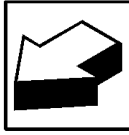
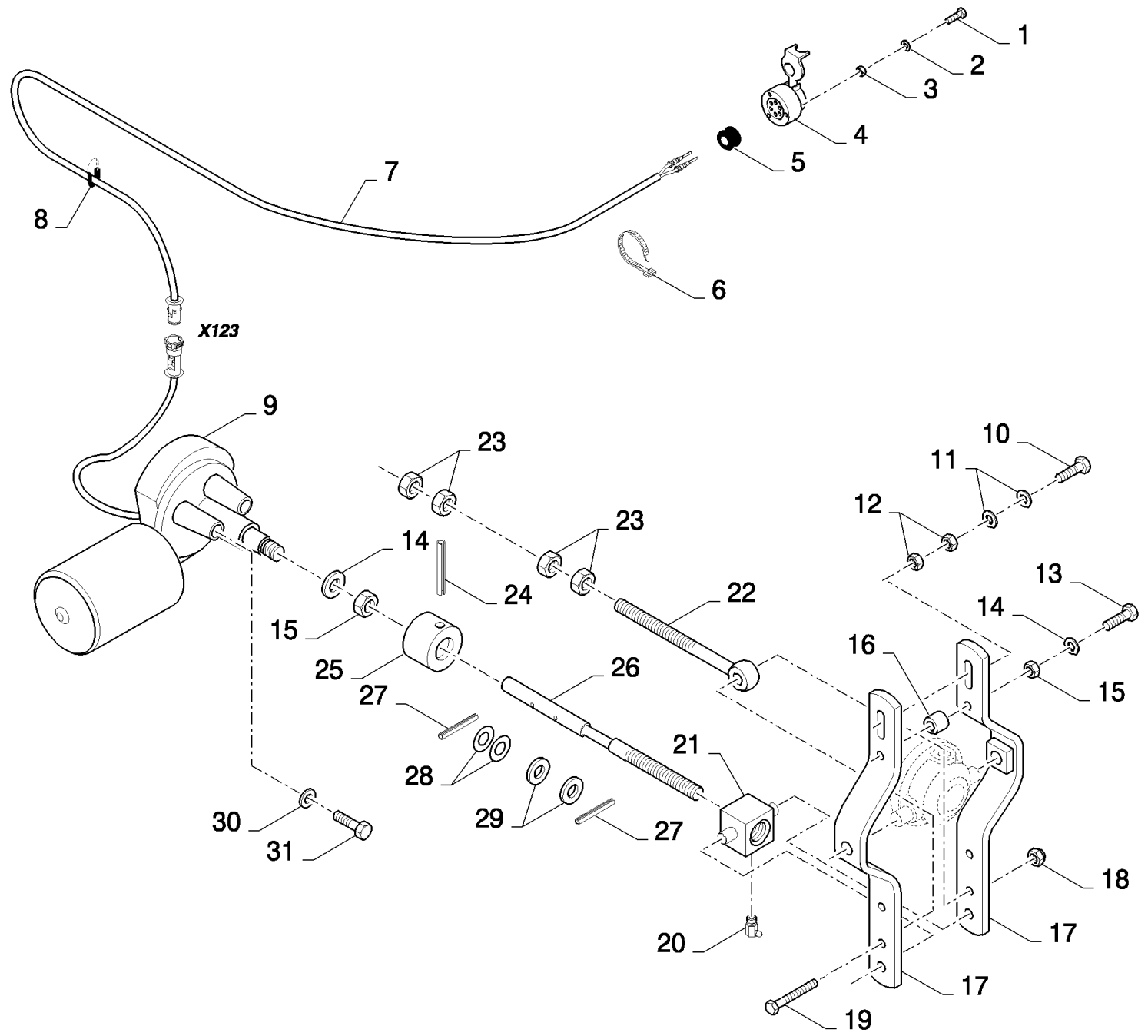
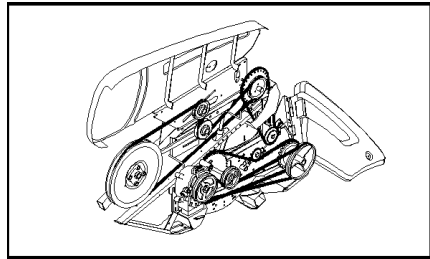


## HIGH-CAPACITY GRAIN HEADER (1/02- )

## 20.12(01) REEL VARIATOR DRIVE

сылка	Номер детали	Кол-во	Описание
1	89706690	2	NUT, M8, CI 8,
2	322358	2	WASHER, SPRING, Belleville, M8,
3	86507486	2	BOLT, CARRIAGE, Short NK, M8 x 20, CI8.8, Full Thd,
4	56128	2	FLANGE,
5	325103	1	BEARING, BALL,
6	350618	1	RING,
7	334054	1	SPRING,
8	86000441	3	NUT, M16 x 2, CI 8,
9	350617	3	STUD,
10	321204	1	NIPPLE, LUBE, M6 x 1, 16mm lg,
11	89819915	1	DISC,
12	334065	1	BELT, TRANSMISSION,
13	89819350	1	DISC,
14	140048	3	WASHER, SPRING, Belleville, M16,
15	100020	3	NUT, M16, CI 8,
16	334966	1	BOLT, CARRIAGE, Short NK, M12 x 45, CI8.8, Full Thd, M12x45
17	140087	1	WASHER,
18	140046	1	WASHER, Belleville, M12,
19	9706685	1	NUT, M12, CI 8,
20	334970	1	PINION, IDLER,
21	89850875	1	SHAFT,
22	86548970	2	FLANGE, Bearing
23	325106	1	BEARING ASSY,
24	379384	3	WASHER,
25	89819938	1	SPROCKET, DRIVEN,
26	89819913	1	SPROCKET, DRIVEN,
27	100016	3	NUT, M10, CI 8,
28	140045	3	WASHER, SPRING, Belleville, M10,
29	378244	3	WASHER, M10,
30	11106231	3	BOLT, Hex, M10 x 25, 10.9, Full Thd,

20.13(01) REEL VARIATOR DRIVE

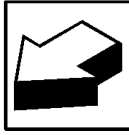
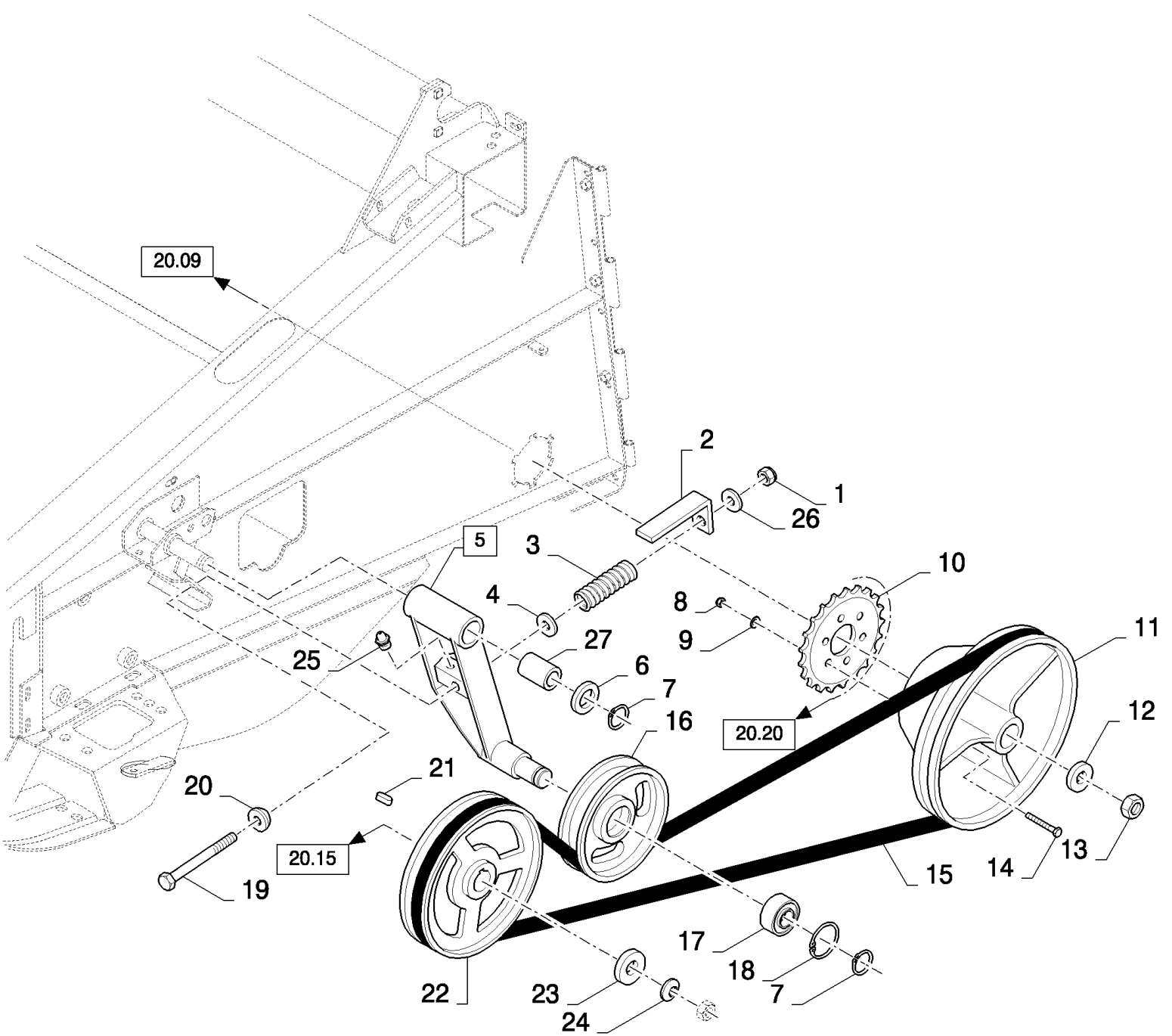
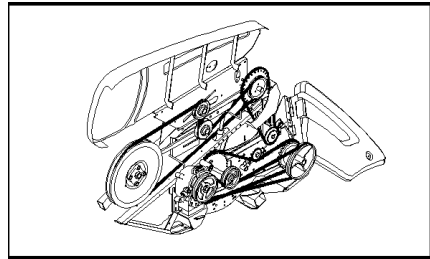


## HIGH-CAPACITY GRAIN HEADER (1/02- )

## 20.13(01) REEL VARIATOR DRIVE

сылка	Номер детали	Кол-во	Описание
1	120202	3	SCREW, Cross Pan Hd, M4 x 30,
2	322355	3	WASHER, Belleville, M4,
3	100012	3	NUT, M4, CI 8,
4	398224	1	SOCKET, POWER,
5	355596	1	GROMMET,
6	323597	7	STRAP, CABLE, M9 x 165 or M5 x 197,
7	84077693	1	HARNESS, WIRE, , FOR 17 TO 24FT ONLY
7	84077692	1	HARNESS, WIRE, , FOR 30FT ONLY
8	NS	AR	NOT SERVICED, Protection strip
9	9507880	1	MOTOR, ELECTRIC,
10	120069	1	SCREW, Hex, M10 x 50, 8.8,
11	378244	2	WASHER, M10,
12	100016	2	NUT, M10, CI 8,
13	43129	1	BOLT, Hex, M8 x 40, 8.8,
14	322358	2	WASHER, SPRING, Belleville, M8,
15	89706690	2	NUT, M8, CI 8,
16	334055	1	SPACER,
17	334061	2	ARM,
18	86629542	1	NUT, LOCK, M8 x 1.25, CI 8,
19	120061	1	BOLT, Hex, M8 x 60, 8.8,
20	323713	1	NIPPLE, LUBE,
21	89831500	1	ADJUSTER,
22	89831498	1	BOLT, BANJO,
23	100016	4	NUT, M10, CI 8,
24	300868	1	PIN, M6 x 36, Slotted,
25	89831501	1	BUSHING,
26	89831502	1	SHAFT,
27	9511051	2	PIN, LOCK, M6 x 30, Slotted, Spring, Slot, M6 OD x 30 L
28	350606	2	RING,
29	80456510	2	WASHER,
30	322357	3	WASHER, SPRING, Belleville, M6,
31	80120099	3	BOLT, Hex, M6 x 16, 8.8,

20.14(01) WOBBLE BOX DRIVE



## HIGH-CAPACITY GRAIN HEADER (1/02- )

## 20.14(01) WOBBLE BOX DRIVE

сылка	Номер детали	Кол-во	Описание
1	412126	1	NUT, LOCK, M12 x 1.75, CI 8, , BSN C649
1	412066	1	NUT, LOCK, M16 x 2, CI 8, M16, ASN D650
2	89831232	1	INDICATOR, , BSN C649
2	84437494	1	INDICATOR, , BSN F650775
3	440651	1	SPRING,
4	84032994	1	WASHER, , BSN C649
4	84437768	1	WASHER, , FOR HIGH-CAPACITY ONLY, BSN F650715
4	84453987	1	WASHER, , FOR HIGH-CAPACITY ONLY, BSN F716751
4	84453987	1	WASHER, , FOR EXTRA-CAPACITY ONLY, BSN C751
5	89831229	1	ARM, (27), BSN C649
5	84441745	1	ARM, (27), BSN F650715
5	84454230	1	ARM, (27), BSN F716751
5	84461129	1	ARM, (27), BSN F752775
5	84462524	1	ARM, (27), BSN F776835
5	87380705	1	ARM, (27), ASN D836
6	140104	1	WASHER,
7	370002	2	RING, SNAP, M25, Ext,
8	86629542	6	NUT, LOCK, M8 x 1.25, CI 8, , FOR HIGH-CAPACITY ONLY
8	86629542	1	NUT, LOCK, M8 x 1.25, CI 8, , FOR EXTRA-CAPACITY ONLY
9	322358	6	WASHER, SPRING, Belleville, M8,
10	9819912	1	SPROCKET, DRIVEN,
11	84320714	1	PULLEY, , FOR TC,TF AND TX REBUILD KIT SEE 20.05B
12	86592702	1	WASHER, M16 x 45 x 6, HT, 16MM, BSN C649
12	394631	1	WASHER, 16MM, ASN D650
13	100020	1	NUT, M16, CI 8,
14	43130	6	BOLT, Hex, M8 x 50, 8.8,
15	84058255	1	BELT, TRANSMISSION, , FOR TC,TF AND TX REBUILD KIT SEE 20.05B, FOR HIGH-CAPACITY ONLY
15	84448591	1	BELT, TRANSMISSION, , FOR TC,TF AND TX REBUILD KIT SEE 20.05B, FOR EXTRA-CAPACITY ONLY
16	80751505	1	PULLEY,
17	443898	1	BEARING, BALL, , FOR HIGH-CAPACITY ONLY
17	80034439	1	BEARING ASSY, , FOR EXTRA-CAPACITY ONLY
18	370011	1	RING, SNAP, M52, Int,
19	84074911	1	BOLT, Hex, M12 x 200, 12.9, M12x200, BSN C649
19	84437496	1	BOLT, Hex, M16 x 220, 8.8, M16x220, BSN F650751
19	84456232	1	BOLT, , ASN D752
20	132321	1	WASHER, , BSN C649
20	84053238	1	WASHER, , ASN D650
21	170005	1	KEY,
22	9501806	1	PULLEY, , BSN C835
22	87356040	1	PULLEY, , ASN D836
23	325594	1	WASHER,
24	140048	1	WASHER, SPRING, Belleville, M16,

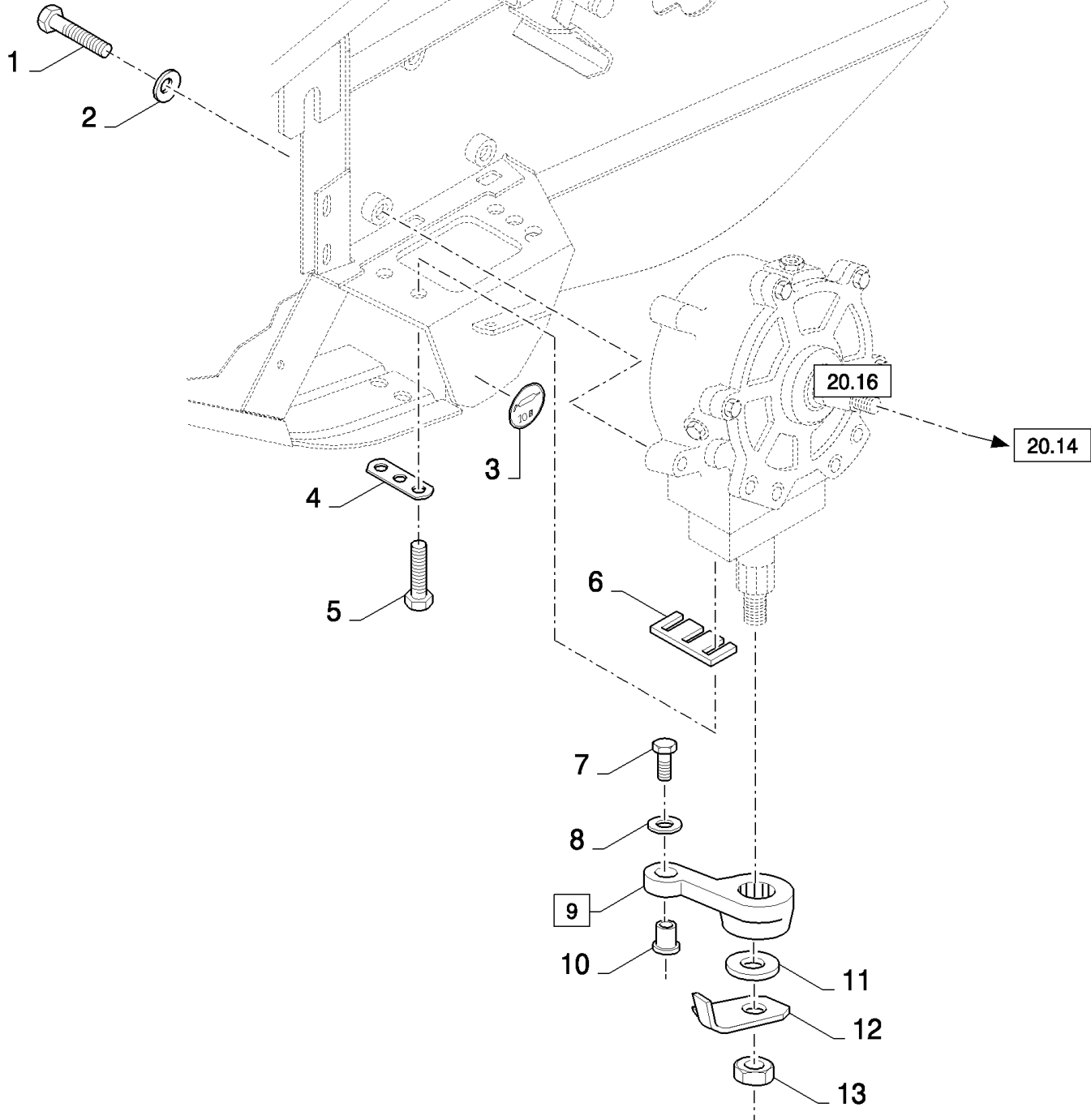
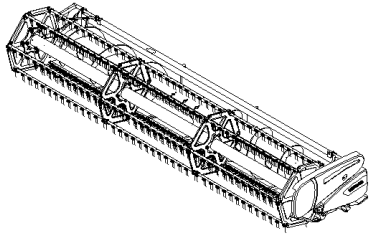
## HIGH-CAPACITY GRAIN HEADER (1/02- )

## 20.14(01) WOBBLE BOX DRIVE

сылка	Номер детали	Кол-во	Описание
25	321204	1	NIPPLE, LUBE, M6 x 1, 16mm lg, , BSN C835
25	84814929	1	NIPPLE, LUBE, , ASN D836
26	86588503	1	WASHER, M16 x 28 x 3, , ASN D776
27	420760	2	BUSHING,

HIGH-CAPACITY GRAIN HEADER (1/02- )

20.15(01) WOBBLE BOX, FITTING PARTS

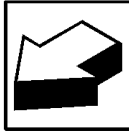
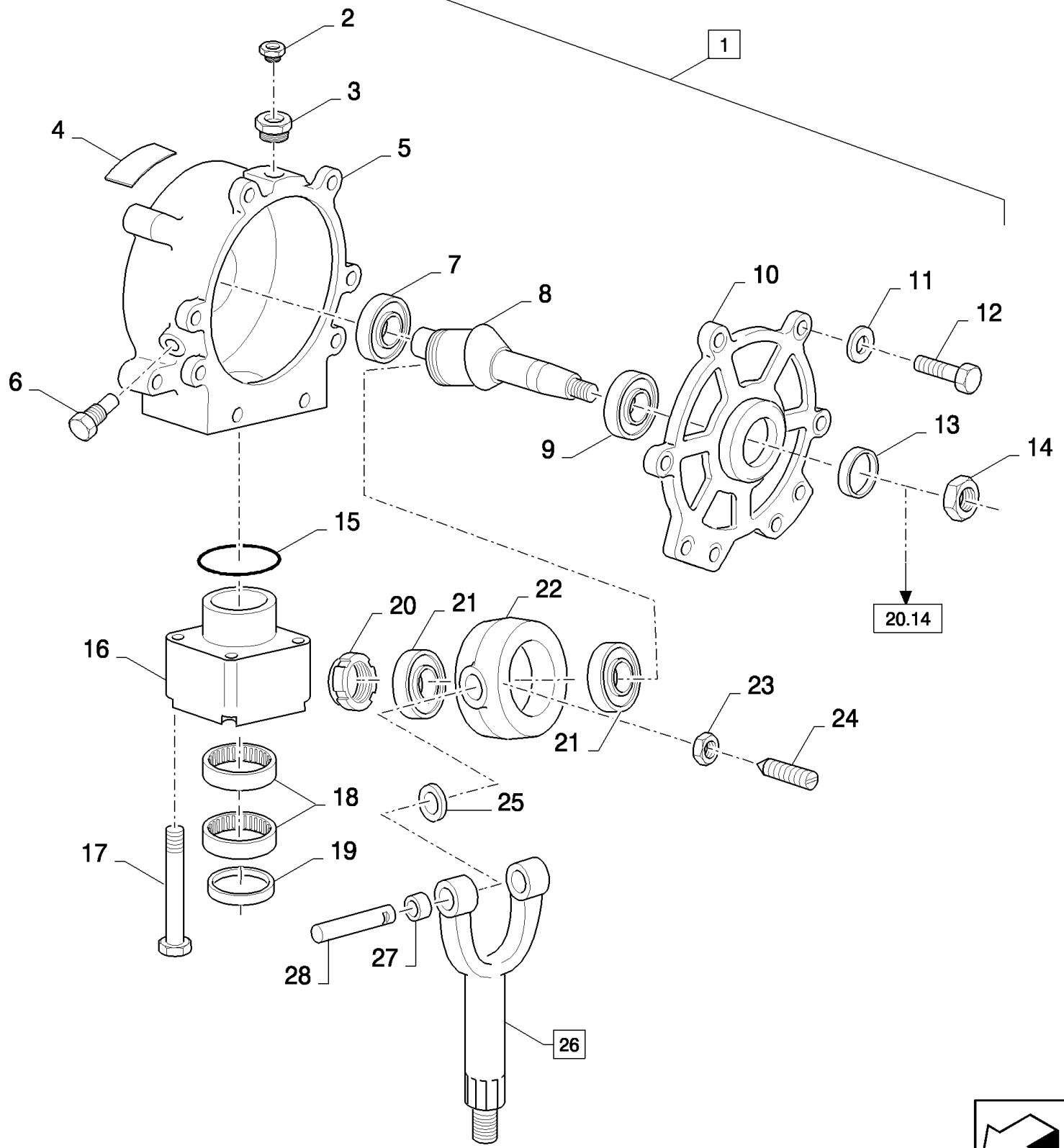
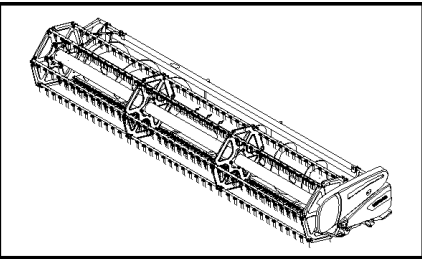


## HIGH-CAPACITY GRAIN HEADER (1/02- )

## 20.15(01) WOBBLE BOX, FITTING PARTS

сылка	Номер детали	Кол-во	Описание
1	412674	3	SCREW,
2	34945	3	WASHER,
3	84989464	1	DECAL,
4	84077921	2	PLATE, ADJUSTING,
5	412037	5	BOLT, Hex, M12 x 1.25 x 40, 8.8, Full Thd,
6	754801	AR	SHIM,
6	87382572	AR	SHIM, , FOR VARIFEED ONLY
7	412681	1	BOLT, Hex, M16 x 1 x 60, 10.9,
8	394631	1	WASHER, 16MM
9	84017247	1	ARM, (10)
10	84017250	1	BUSHING,
11	850053	1	WASHER,
12	9513487	1	PLATE,
13	100085	1	NUT, M20 x 1.5, CI 8,

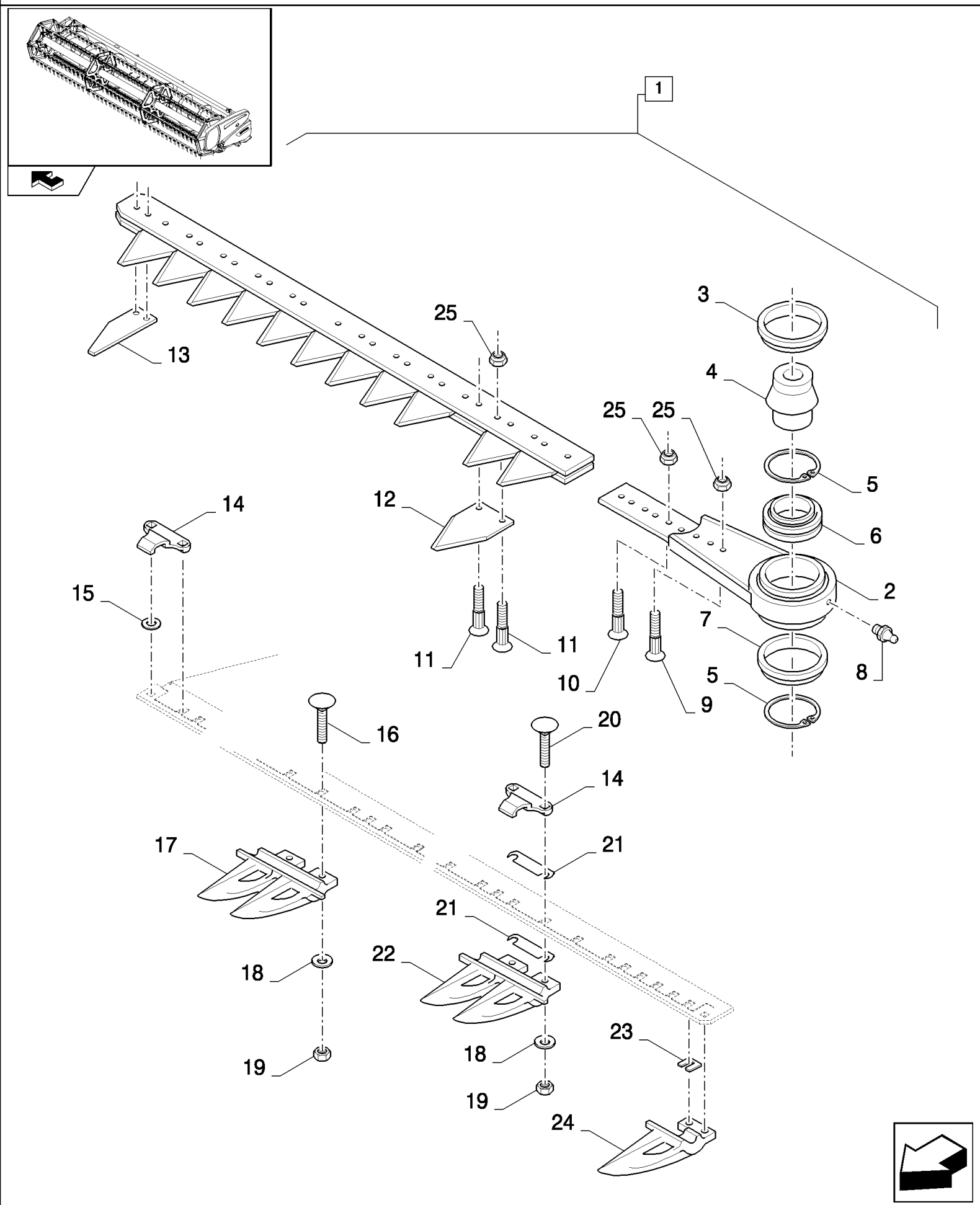
20.16(01) WOBBLE BOX



## HIGH-CAPACITY GRAIN HEADER (1/02- )

## 20.16(01) WOBBLE BOX

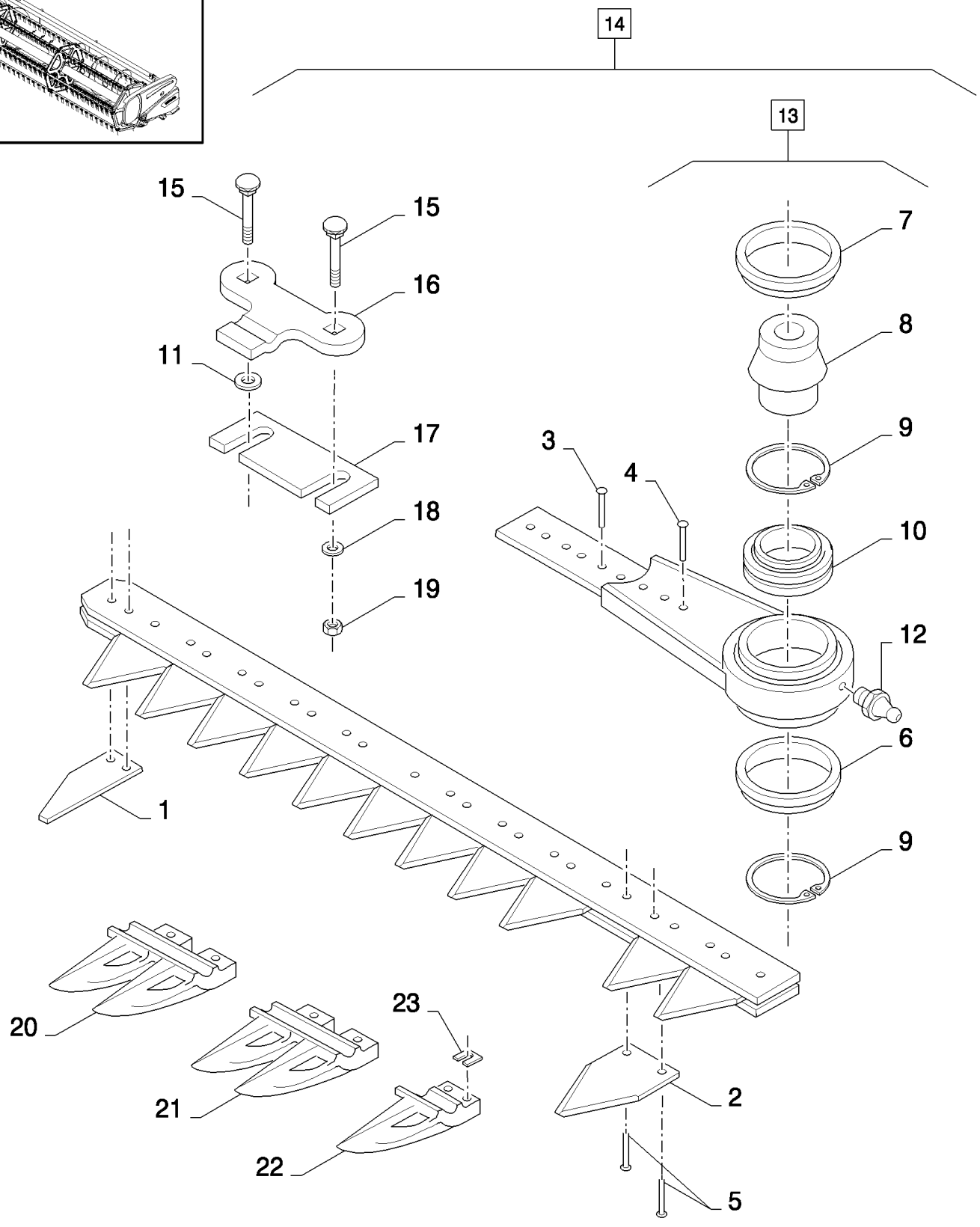
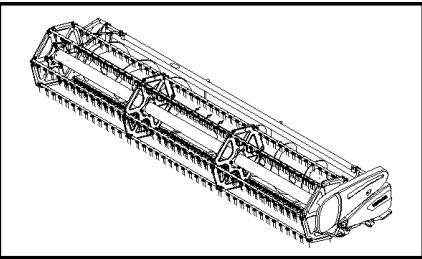
сылка	Номер детали	Кол-во	Описание
1	9513022	1	WOBBLE BOX, (2 to 28)
2	572820	1	SCREW, VENTING,
3	920158	1	CONNECTOR, HYD.,
4	NS	1	NOT SERVICED, Decal
5	9501967	1	HOUSING,
6	384922	1	PLUG,
7	9811397	1	BEARING, ROLLER,
8	9501697	1	SHAFT,
9	9811632	1	BEARING, ROLLER,
10	9501969	1	COVER,
11	140045	8	WASHER, SPRING, Belleville, M10,
12	43140	8	BOLT, Hex, M10 x 30, 8.8, Full Thd,
13	9513024	1	SEAL, OIL,
14	12164121	1	NUT, M16 x 1.5, CI 10,
15	165216	1	O-RING, -144, 90 Duro, 2.487" ID x .103" Thk,
16	9501694	1	HOUSING, BEARING,
17	850125	4	BOLT, Hex Lock, M12 x 1.25 x 70, 8.8,
18	796502	2	BEARING, NEEDLE, , BSN C649
18	86000271	2	BEARING ASSY, , ASN D650
19	796503	1	ELEMENT, SEALING,
20	850119	1	NUT,
21	796504	2	BEARING, ROLLER,
22	850123	1	HOUSING, BEARING,
23	86629542	2	NUT, LOCK, M8 x 1.25, CI 8, , BSN C649
23	86629542	2	NUT, LOCK, M8 x 1.25, CI 8, , ASN D650
24	300479	2	SET SCREW, Hex Soc, M8 x 25, Cup Pt,
25	168100	2	SHIM, .036" Thk,
26	9513490	1	YOKE, (27)
27	709063	2	BUSHING,
28	847547	2	PIN,



## HIGH-CAPACITY GRAIN HEADER (1/02- )

## 20.17(01) KNIVES, UPPER SERRATED AND GREEN CONDITIONS - D631

сылка	Номер детали	Кол-во	Описание
1	84435372	1	KNIFE, (2 to 13,25), FOR 17FT ONLY, STANDARD, UPPER SERRATED
1	84433815	1	KNIFE, (2 to 13,25), STANDARD, UPPER SERRATED, FOR 20FT ONLY
1	84435373	1	KNIFE, (2 to 13,25), STANDARD, UPPER SERRATED, FOR 24FT ONLY
1	84435374	1	KNIFE, (2 to 13,25), STANDARD, UPPER SERRATED, FOR 30FT ONLY
1	84435369	1	KNIFE, (2 to 13,25), STANDARD, UPPER SERRATED, FOR 12FT ONLY
1	84435370	1	KNIFE, (2 to 13,25), STANDARD, UPPER SERRATED, FOR 13FT ONLY
1	84435371	1	KNIFE, (2 to 13,25), FOR 15FT ONLY, STANDARD, UPPER SERRATED
1	84081706	1	KNIFE GREEN CONDITIONS, (2 to 13,25), GREEN CONDITIONS, FOR 17FT ONLY
1	84081707	1	KNIFE GREEN CONDITIONS, (2 TO 13,25), GREEN CONDITIONS, FOR 20FT ONLY
1	84081705	1	KNIFE GREEN CONDITIONS, (2 to 13,25), FOR 15FT ONLY, GREEN CONDITIONS
1	84081708	1	KNIFE GREEN CONDITIONS, (2 to 13,25), GREEN CONDITIONS, FOR 24FT ONLY
1	84081709	1	DIA KIT, HARVESTER, (2 to 13,25), GREEN CONDITIONS, FOR 30FT ONLY
2	84433779	1	KNIFE HEAD,
3	80758561	1	RING,
4	80916806	1	SHAFT,
5	80758565	2	CIRCLIP,
6	9806311	1	BUSHING, DRIVE,
7	80758559	1	COVER,
8	321204	1	NIPPLE, LUBE, M6 x 1, 16mm lg,
9	84429101	3	SCREW, M6x27
10	84429100	6	SCREW, M6x22
11	84429099	AR	SCREW, M6x16
12	84429103	AR	KNIFE SECTION, , STANDARD, UPPER SERRATED
12	84435879	AR	KNIFE SECTION, , GREEN CONDITIONS
13	84433772	1	KNIFE SECTION, Half blank, STANDARD, UPPER SERRATED
13	84435824	1	KNIFE SECTION, , GREEN CONDITIONS
14	84073333	AR	CLIP, KNIFE,
15	378244	1	WASHER, M10,
16	9833222	AR	BOLT, CARRIAGE, Short NK, M10 x 35, CI8.8, Full Thd,
17	379720	AR	KNIFE, FINGER,
18	140045	AR	WASHER, SPRING, Belleville, M10,
19	100016	AR	NUT, M10, CI 8,
20	86512425	AR	BOLT, CARRIAGE, Short NK, M10 x 45, CI8.8, M10x45
21	482769	AR	PLATE, ADJUSTING, 0.5MM
21	87538871	AR	PLATE, ADJUSTING, 1.5MM
22	80916328	3	KNIFE, FINGER, LH
23	481489	AR	PLATE, ADJUSTING,
24	80918222	1	KNIFE, FINGER,
25	84429102	AR	NUT,



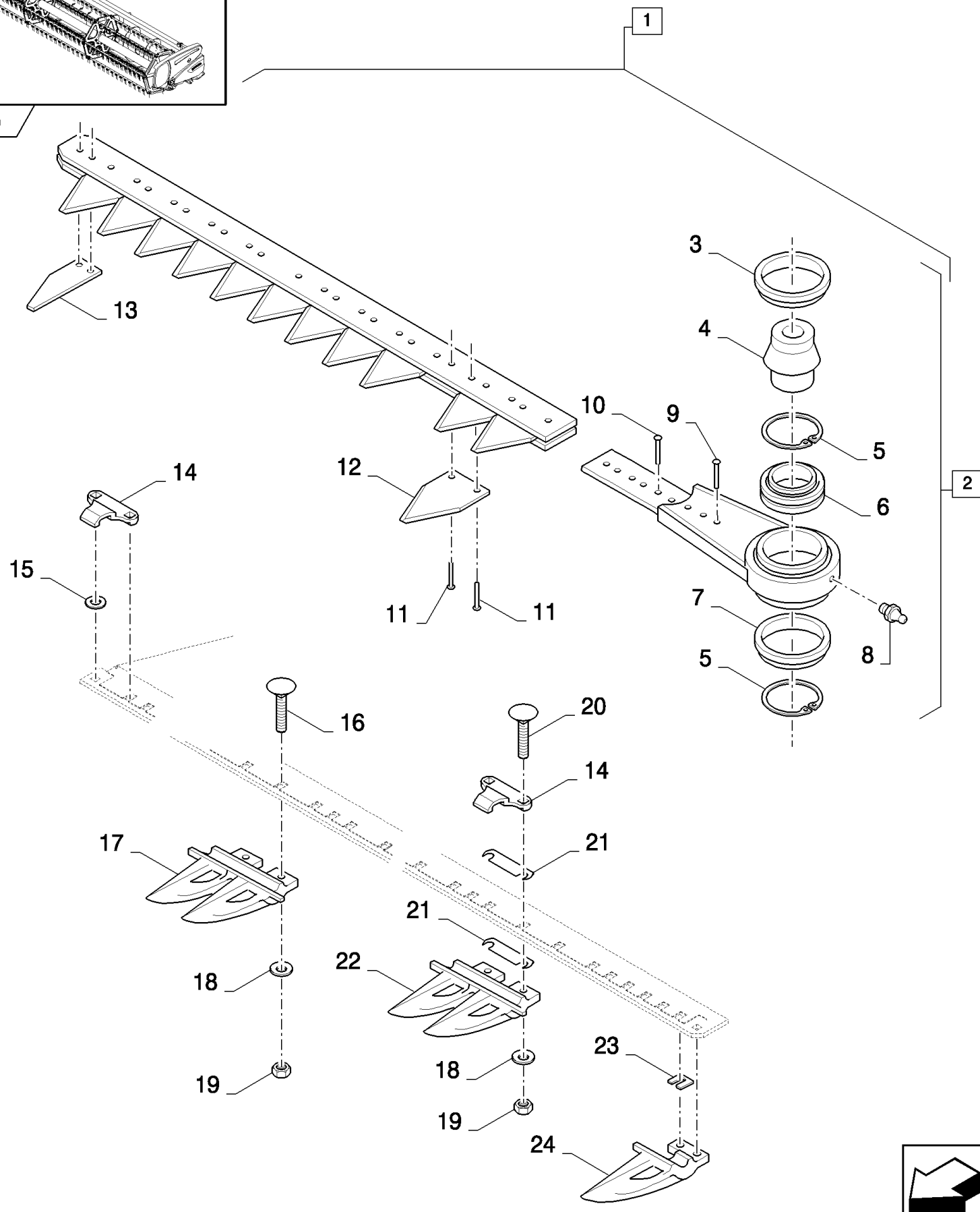
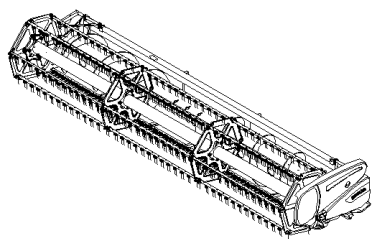
## HIGH-CAPACITY GRAIN HEADER (1/02- )

## 20.17A(01) KNIVES, UPPER SERRATED AND GREEN CONDITIONS - C630

сылка	Номер детали	Кол-во	Описание
1	365112		AR KNIFE SECTION,
1	84056224		AR KNIFE SECTION, , GREEN CONDITIONS, BLANK
2	365110		AR KNIFE SECTION, , UPPER SERRATED
2	84056092		AR KNIFE SECTION, , UPPER SERRATED, GREEN CONDITIONS
3	65474	6	RIVET,
4	130436	3	RIVET,
5	46436		AR RIVET,
6	80758559		AR COVER,
7	80758561	1	RING,
8	80916806	1	SHAFT,
9	80758565	2	CIRCLIP,
10	9806311	1	BUSHING, DRIVE,
11	378244	1	WASHER, M10, RH
12	321204		AR NIPPLE, LUBE, M6 x 1, 16mm lg,
13	80753862	1	KNIFE HEAD, (6 to 12)
14	80922692	1	KNIFE, (1 to 13), FOR 10FT ONLY, UPPER SERRATED
14	80922690	1	KNIFE, (1 to 13), UPPER SERRATED, FOR 12FT ONLY
14	80922689	1	KNIFE, (1 to 13), UPPER SERRATED, FOR 13FT ONLY
14	80754068	1	KNIFE, (1 to 13), FOR 15FT ONLY, UPPER SERRATED
14	80916839	1	KNIFE, (1 to 13), UPPER SERRATED, FOR 17FT ONLY
14	80754066	1	KNIFE, (1 to 13), FOR 20FT ONLY, UPPER SERRATED
14	80913804	1	KNIFE, (1 to 13), UPPER SERRATED, FOR 24FT ONLY
14	84043804	1	KNIFE, (1 to 13), UPPER SERRATED, FOR 30FT ONLY
14	80918013	1	DIA KIT, HARVESTER, , FOR 17FT ONLY
14	84059260	1	DIA KIT, HARVESTER, (1 to 13), GREEN CONDITIONS, FOR 15FT ONLY
14	84059261	1	DIA KIT, HARVESTER, (1 to 13), GREEN CONDITIONS, FOR 17FT ONLY
14	84059262	1	DIA KIT, HARVESTER, (1 to 13), GREEN CONDITIONS, FOR 20FT ONLY
14	84059263	1	DIA KIT, HARVESTER, (1 to 13), GREEN CONDITIONS, FOR 24FT ONLY
14	84059264	1	DIA KIT, HARVESTER, (1 to 13), GREEN CONDITIONS, FOR 30FT ONLY
15	374892		AR BOLT, CARRIAGE, Short NK, M10 x 40, CI8.8, Full Thd,
15	9833222		AR BOLT, CARRIAGE, Short NK, M10 x 35, CI8.8, Full Thd, M10x35
16	9838318		AR CLIP, KNIFE,
17	482769		AR PLATE, ADJUSTING,
18	140045		AR WASHER, SPRING, Belleville, M10,
19	100016		AR NUT, M10, CI 8,
20	379720		AR KNIFE, FINGER,
21	80916328	3	KNIFE, FINGER, LH
22	80918222	1	KNIFE, FINGER,
23	481489		AR PLATE, ADJUSTING,

HIGH-CAPACITY GRAIN HEADER (1/02- )

20.18(01) KNIVES, UNDER SERRATED



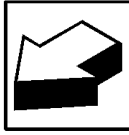
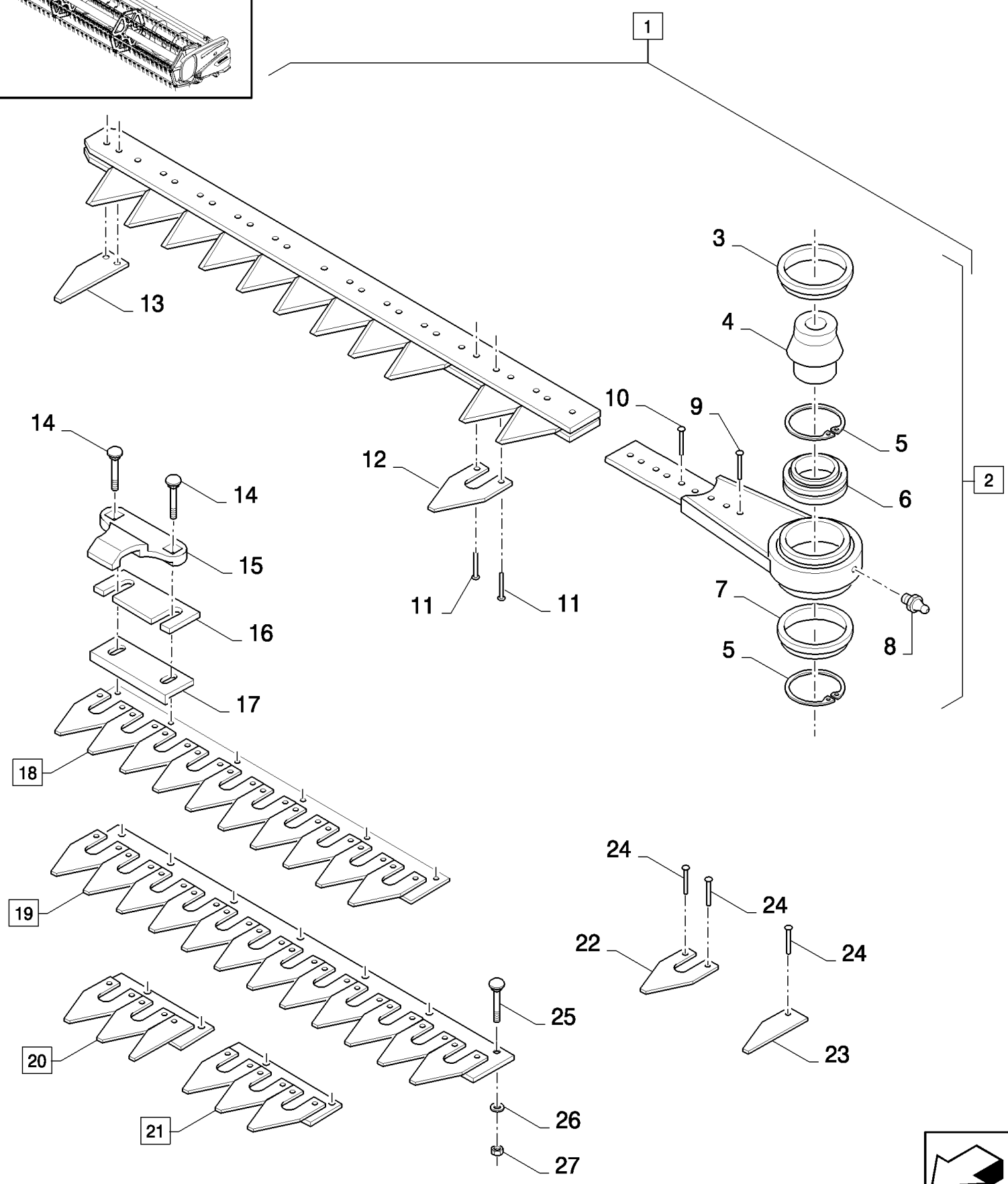
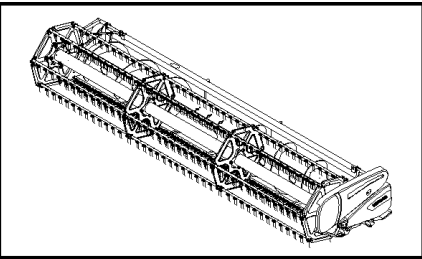
## HIGH-CAPACITY GRAIN HEADER (1/02- )

## 20.18(01) KNIVES, UNDER SERRATED

сылка	Номер детали	Кол-во	Описание
1	80918013	1	DIA KIT, HARVESTER, (2 to 13), FOR 17FT ONLY
1	80918014	1	DIA KIT, HARVESTER, (2 to 13), FOR 20FT ONLY
1	80918015	1	DIA KIT, HARVESTER, (2 to 13), FOR 24FT ONLY
1	84040790	1	DIA KIT, HARVESTER, (2 to 13), FOR 30FT ONLY
1	84003218	1	DIA KIT, HARVESTER, (2 to 13), FOR 15FT ONLY
1	84003219	1	DIA KIT, HARVESTER, (2 to 13), FOR 13FT ONLY
2	80753862	1	KNIFE HEAD, (3 to 8)
3	80758561	1	RING,
4	80916806	1	SHAFT,
5	80758565	2	CIRCLIP,
6	9806311	1	BUSHING, DRIVE,
7	80758559	1	COVER,
8	321204	1	NIPPLE, LUBE, M6 x 1, 16mm lg,
9	130436	3	RIVET,
10	65474	6	RIVET,
11	46436	AR	RIVET,
12	365111	AR	KNIFE SECTION,
13	365112	1	KNIFE SECTION,
14	84073333	AR	CLIP, KNIFE,
15	378244	1	WASHER, M10,
16	9833222	AR	BOLT, CARRIAGE, Short NK, M10 x 35, CI8.8, Full Thd,
17	379720	AR	KNIFE, FINGER,
18	140045	AR	WASHER, SPRING, Belleville, M10,
19	100016	AR	NUT, M10, CI 8,
20	86512425	AR	BOLT, CARRIAGE, Short NK, M10 x 45, CI8.8,
21	482769	AR	PLATE, ADJUSTING, 0.5MM
21	87538871	AR	PLATE, ADJUSTING, 1.5MM
22	80916328	3	KNIFE, FINGER,
23	481489	AR	PLATE, ADJUSTING,
24	80918222	1	KNIFE, FINGER,

HIGH-CAPACITY GRAIN HEADER (1/02- )

20.19(01) RICE KNIVES



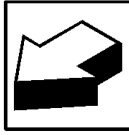
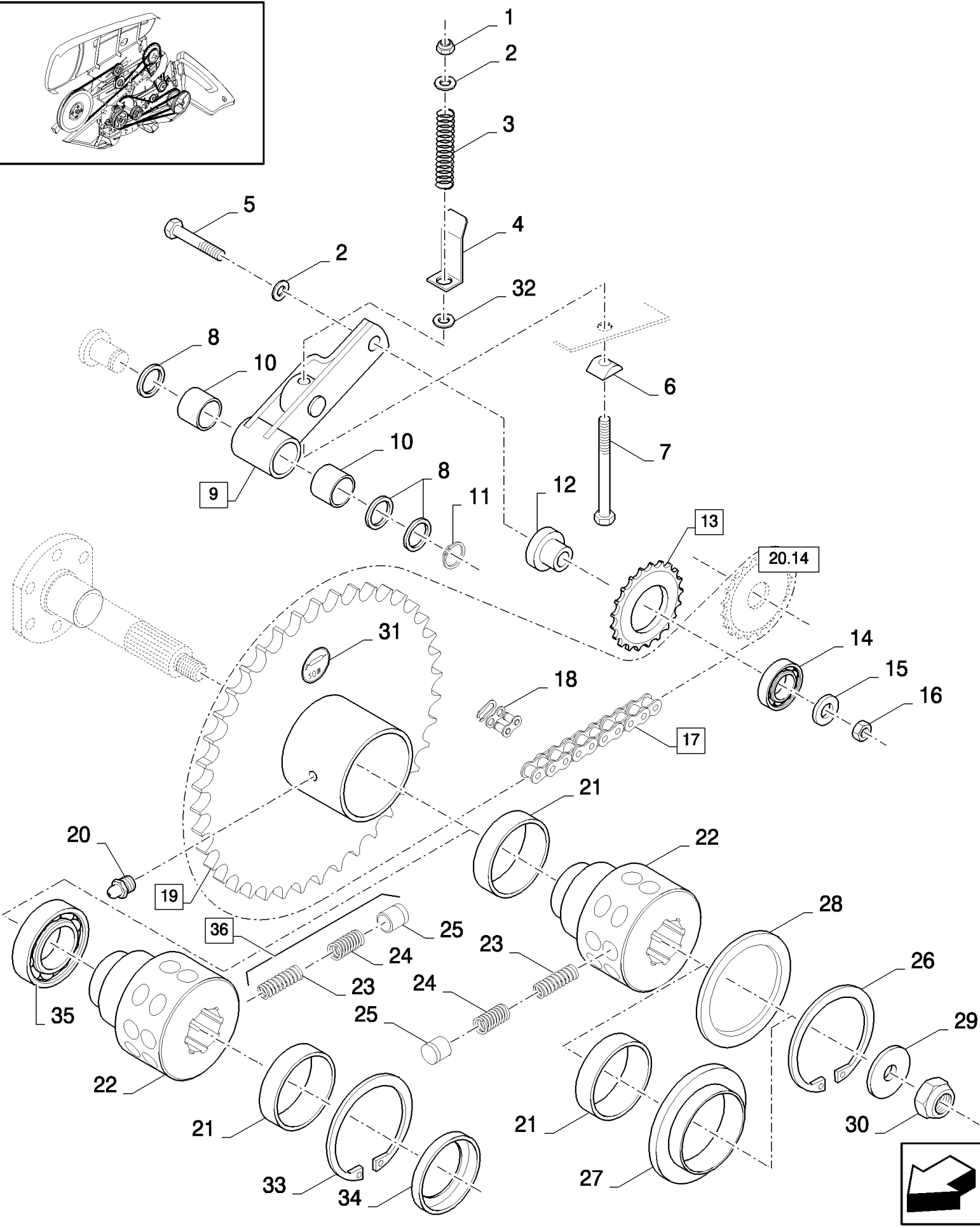
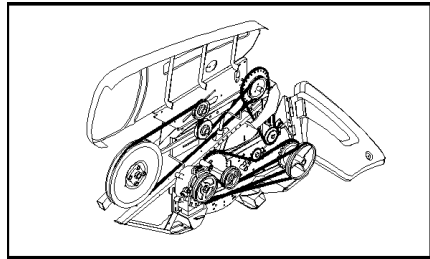
## HIGH-CAPACITY GRAIN HEADER (1/02- )

## 20.19(01) RICE KNIVES

сылка	Номер детали	Кол-во	Описание
1	89508739	1	KNIFE, (2 to 13), FOR 13FT ONLY
1	89508730	1	KNIFE, (2 to 13), FOR 15FT ONLY
1	89508736	1	KNIFE, (2 to 13), FOR 17FT ONLY
1	89508737	1	KNIFE, (2 to 13), FOR 20FT ONLY
1	89508738	1	KNIFE, (2 to 13), FOR 24FT ONLY
2	80753862	1	KNIFE HEAD, (3 to 8)
3	80758561	1	RING,
4	80916806	1	SHAFT,
5	80758565	2	CIRCLIP,
6	9806311	1	BUSHING, DRIVE,
7	80758559	1	COVER,
8	321204	1	NIPPLE, LUBE, M6 x 1, 16mm lg,
9	89508735	3	RIVET,
10	89508734	6	RIVET,
11	89508724	AR	RIVET,
12	89508731	AR	KNIFE SECTION, , UPPER SERRATED
13	89508733	1	KNIFE, Half blank
14	374892	AR	BOLT, CARRIAGE, Short NK, M10 x 40, CI8.8, Full Thd,
15	89508725	AR	CLIP, KNIFE,
16	482769	AR	PLATE, ADJUSTING,
17	89508727	AR	GUIDE, KNIFE,
18	89508721	AR	KNIFE SECTION, (22,24)
19	89508718	AR	KNIFE SECTION, (22,24)
20	89508720	AR	(22,24)
21	89508719	AR	KNIFE SECTION, (22,24)
22	89508722	AR	KNIFE SECTION,
23	89508723	AR	KNIFE SECTION,
24	89508724	AR	RIVET,
25	86512446	AR	BOLT, CARRIAGE, Short NK, M10 x 30, CI8.8, Full Thd,
26	140045	AR	WASHER, SPRING, Belleville, M10,
27	100016	AR	NUT, M10, CI 8,

# HIGH-CAPACITY GRAIN HEADER (1/02-)

## 20.20(01) FEED AUGER DRIVE



## HIGH-CAPACITY GRAIN HEADER (1/02- )

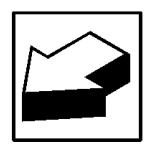
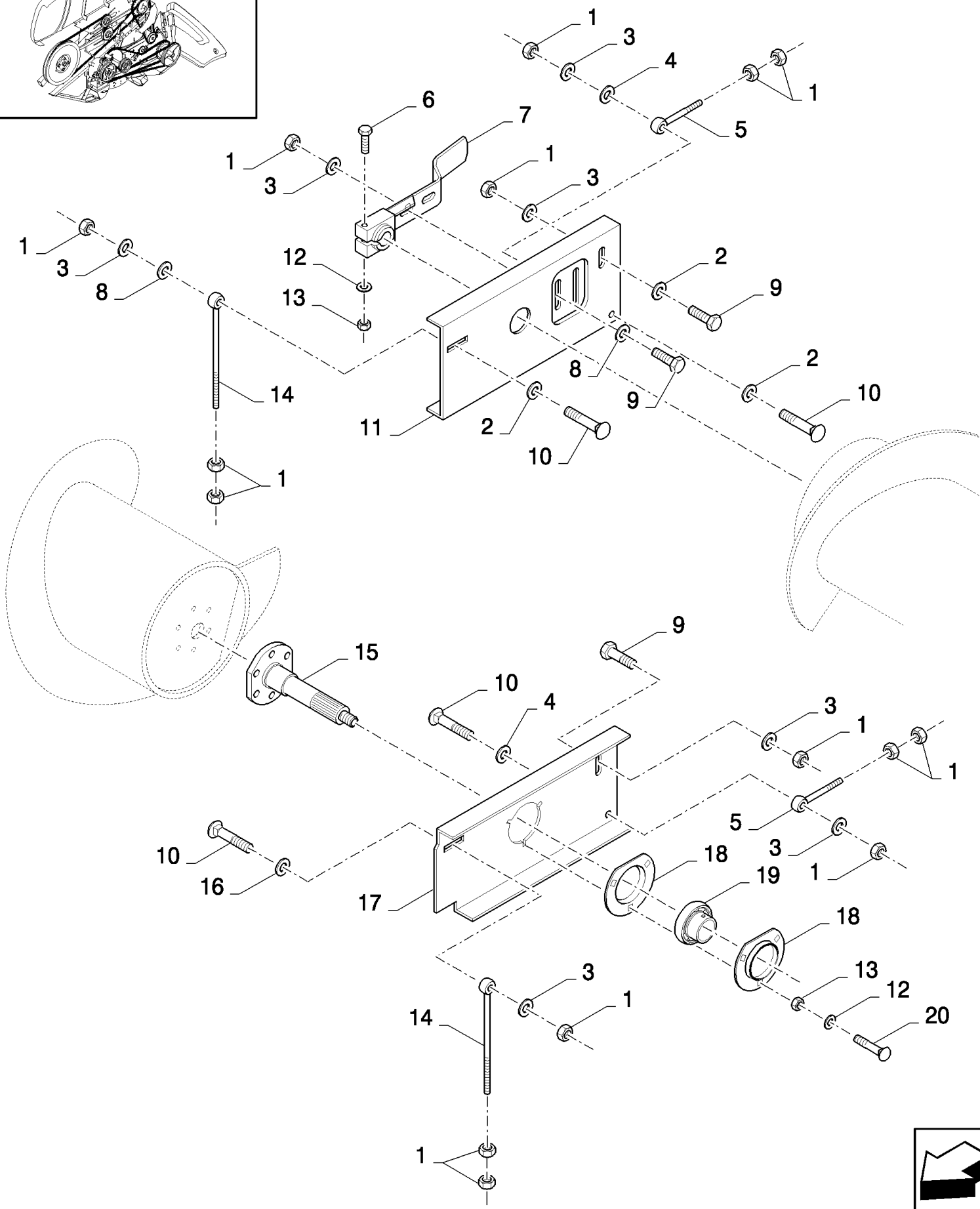
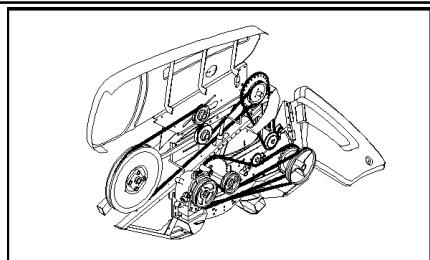
## 20.20(01) FEED AUGER DRIVE

сылка	Номер детали	Кол-во	Описание
1	412126	1	NUT, LOCK, M12 x 1.75, CI 8,
2	378245	2	WASHER, M12,
3	9817602	1	SPRING,
4	84989032	1	INDICATOR,
5	9706693	1	BOLT, Hex, M12 x 60, 8.8,
6	132321	1	WASHER,
7	364053	1	BOLT, Hex, M12 x 220, 8.8, M12x220, FOR HIGH-CAPACITY ONLY
7	9837782	1	BOLT, Hex, M12 x 230, 8.8, , FOR EXTRA-CAPACITY ONLY
8	419854	3	WASHER,
9	84334294	1	ARM, (10)
10	382975	2	SLEEVE,
11	370002	1	RING, SNAP, M25, Ext,
12	84334260	1	BUSHING,
13	9831670	1	SPROCKET, (14)
14	443898	1	BEARING, BALL,
15	140046	1	WASHER, Belleville, M12,
16	9706685	1	NUT, M12, CI 8,
17	84058833	1	CHAIN, (18), FOR VARIFEED ONLY, FOR HIGH-CAPACITY ONLY
17	84058834	1	CHAIN, (18), FOR HIGH-CAPACITY ONLY, FOR LOW RPM ONLY
17	84448828	1	CHAIN, , FOR EXTRA-CAPACITY ONLY
18	9811888	2	LINK, CHAIN,
19	84076003	1	CLUTCH, (20 to 26,28), FOR 12 TO 17FT ONLY, BSN C705
19	84453506	1	CLUTCH, (20 to 25, 33 to 35), FOR 12 TO 17FT ONLY, ASN D706
19	84100265	1	CLUTCH, (20 to 26,28), FOR 20 TO 30FT ONLY, BSN C705
19	84453557	1	CLUTCH, (20 to 25, 33 to 35), FOR 20 TO 24FT ONLY, ASN D706
19	84453557	1	CLUTCH, (20 to 25, 33 to 35), FOR EXTRA-CAPACITY, VARIFEED AND 30FT HIGH-CAPACITY ONLY, BSN F706751
19	84461190	1	SPROCKET, DRIVEN, , FOR EXTRA-CAPACITY, VARIFEED AND 30FT HIGH-CAPACITY ONLY, ASN D752
19	84431203	1	CLUTCH, (20 to 27), FOR LOW RPM ONLY
19	84453594	1	CLUTCH, (20 to 25, 33 to 35), FOR LOW RPM ONLY
19	84461197	1	SPROCKET, DRIVEN, , FOR LOW RPM ONLY, FOR EXTRA-CAPACITY, VARIFEED AND 30FT HIGH-CAPACITY ONLY
20	300919	1	NIPPLE, LUBE, , BSN C705
20	321204	1	NIPPLE, LUBE, M6 x 1, 16mm lg, , ASN D706
21	84068380	1	RING, , BSN C705
21	84800131	1	SEALRING, , ASN D706
21	84068380	2	RING, , FOR LOW RPM ONLY, BSN C705
21	84800131	2	SEALRING, , FOR LOW RPM ONLY, ASN D706
22	84075521	1	HUB, , FOR 12 TO 17FT ONLY, BSN C705
22	84068379	1	HUB, , FOR 20 TO 30FT ONLY, BSN C705
22	84800125	1	HUB, , FOR 12 TO 17FT ONLY, FOR 20 TO 30FT ONLY, ASN D706
22	84429809	1	HUB, , FOR LOW RPM ONLY, BSN C705
22	84429809	1	HUB, , FOR LOW RPM ONLY, ASN D706

## HIGH-CAPACITY GRAIN HEADER (1/02- )

## 20.20(01) FEED AUGER DRIVE

сылка	Номер детали	Кол-во	Описание
23	84075523	AR	SPRING, Inner, FOR LOW RPM ONLY, BSN C705
23	NSS	24	NOT SERVICED SEPARATELY, Inner, FOR LOW RPM ONLY, ASN D706
23	84075523	AR	SPRING, , FOR 12 TO 17FT ONLY, BSN C705
23	NSS	20	NOT SERVICED SEPARATELY, Inner, FOR 12 TO 17FT ONLY, ASN D706
23	386511	18	SPRING, Inner, FOR 20 TO 30FT ONLY, BSN C691
23	386511	18	SPRING, Inner, FOR 20 TO 30FT ONLY, BSN F692705
23	NSS	24	NOT SERVICED SEPARATELY, Inner, FOR 20 TO 30FT ONLY, ASN D706
24	84075522	AR	SPRING, Outer, FOR LOW RPM ONLY, BSN C705
24	NSS	24	NOT SERVICED SEPARATELY, Outer, FOR LOW RPM ONLY, ASN D706
24	84075522	AR	SPRING, Outer, FOR 12 TO 17FT ONLY, BSN C705
24	NSS	4	NOT SERVICED SEPARATELY, Outer, FOR 12 TO 17FT ONLY, ASN D706
24	386510	24	SPRING, Outer, FOR 20 TO 30FT ONLY, BSN C691
24	84075522	36	SPRING, Outer, FOR 20 TO 30FT ONLY, BSN F692705
24	NSS	24	NOT SERVICED SEPARATELY, Outer, FOR 20 TO 30FT ONLY, ASN D706
25	386509	AR	CAM, , BSN C705
25	NSS	AR	NOT SERVICED SEPARATELY, , ASN D706
26	301652	1	RING, SNAP, M110, Int,
27	84429801	1	RING, , FOR LOW RPM ONLY
28	84068382	1	RING, , FOR 12 TO 17FT ONLY
28	84068382	1	RING, , FOR 20 TO 30FT ONLY, BSN C691
28	84429801	1	RING, , FOR 20 TO 30FT ONLY, ASN D692
29	850053	1	WASHER,
30	380424	1	NUT, LOCK, M20 x 2.5, CI 8,
31	84334829	1	DECAL,
32	86511324	1	WASHER, M12 x 24 x 2.5, , FOR HIGH-CAPACITY ONLY
32	84069986	1	BUSHING, 12MM, FOR EXTRA-CAPACITY ONLY
33	84800128	1	CIRCLIP, , ASN D706
34	84800127	1	SEAL, RUBBER, , ASN D706
35	89811496	1	BEARING ASSY, , ASN D706
36	84455965	1	KIT, REPAIR, (23, 24, 25), ASN D706

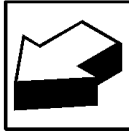
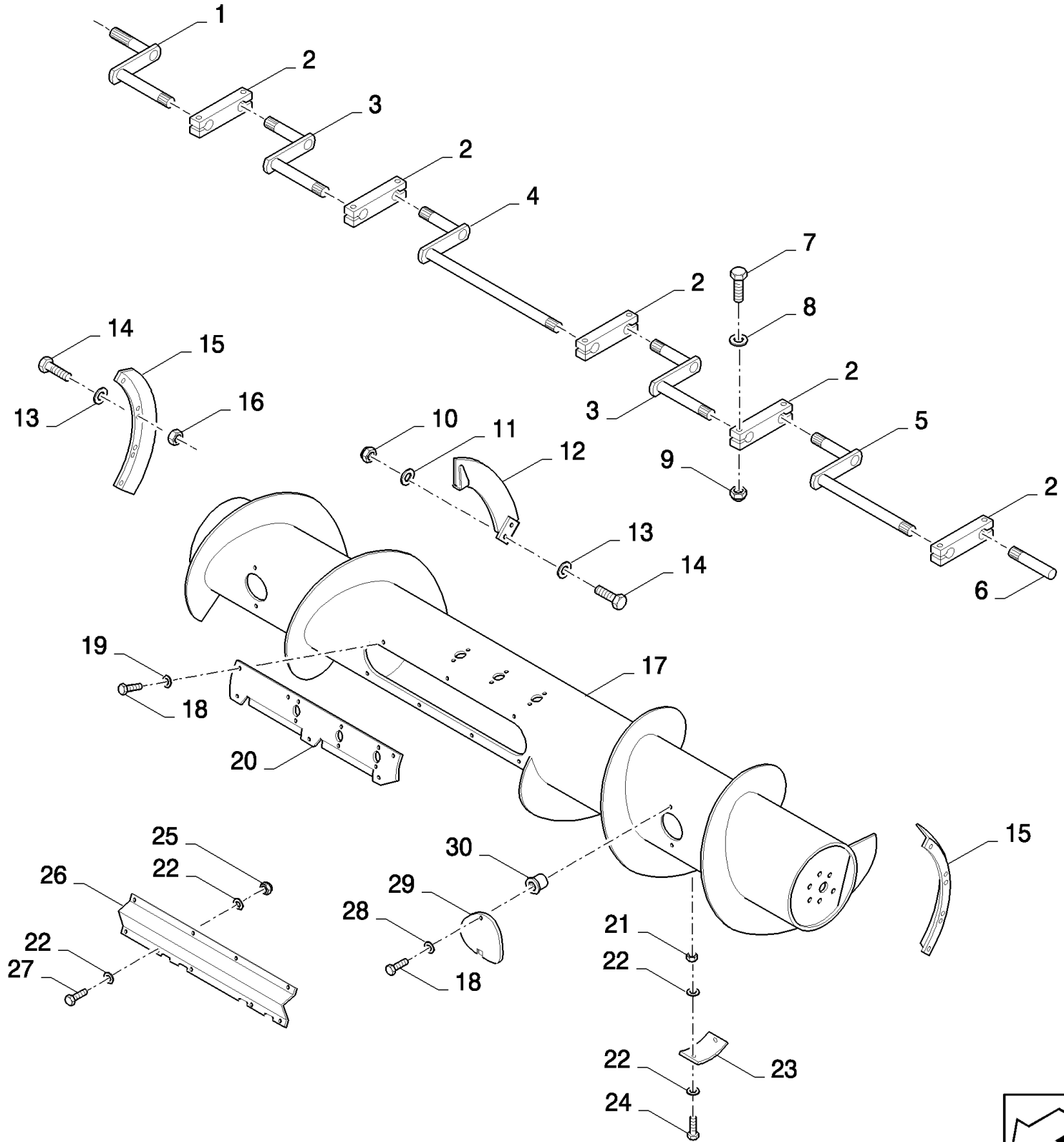
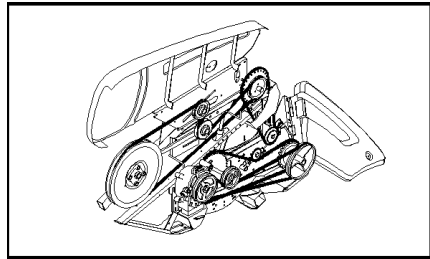


## HIGH-CAPACITY GRAIN HEADER (1/02- )

## 20.21(01) FEED AUGER DRIVE, SUPPORTS

сылка	Номер детали	Кол-во	Описание
1	9706685	16	NUT, M12, CI 8,
2	80140188	3	WASHER,
3	140046	6	WASHER, Belleville, M12,
4	140084	2	WASHER,
5	335423	2	BOLT, BANJO,
6	43144	1	SCREW, Hex, M10 x 70, 8.8,
7	84043707	1	LEVER,
8	394630	3	WASHER, 12MM
9	120044	4	BOLT, CARRIAGE, Short NK, M12 x 30, CI8.8, Full Thd,
10	334966	4	BOLT, CARRIAGE, Short NK, M12 x 45, CI8.8, Full Thd, M12x45
11	80922305	1	PLATE, ADJUSTING, RH, BSN C831
11	87389263	1	PLATE, ADJUSTING, RH, ASN D832
12	140045	4	WASHER, SPRING, Belleville, M10,
13	100016	4	NUT, M10, CI 8,
14	309662	2	BOLT, BANJO,
15	84032891	1	SHAFT,
16	9801096	1	WASHER,
17	89831057	1	PLATE, ADJUSTING, LH, FOR VARIFEED ONLY, FOR HIGH-CAPACITY ONLY, BSN C831
17	84449018	1	PLATE, ADJUSTING, LH, FOR EXTRA-CAPACITY ONLY, BSN C831
17	87374246	1	PLATE, ADJUSTING, LH, ASN D832
18	80433517	2	FLANGE,
19	322360	1	BEARING, BALL,
20	120041	3	BOLT, CARRIAGE, Short NK, M10 x 20, CI8.8, Full Thd,

20.22(01) FEED AUGER



## HIGH-CAPACITY GRAIN HEADER (1/02- )

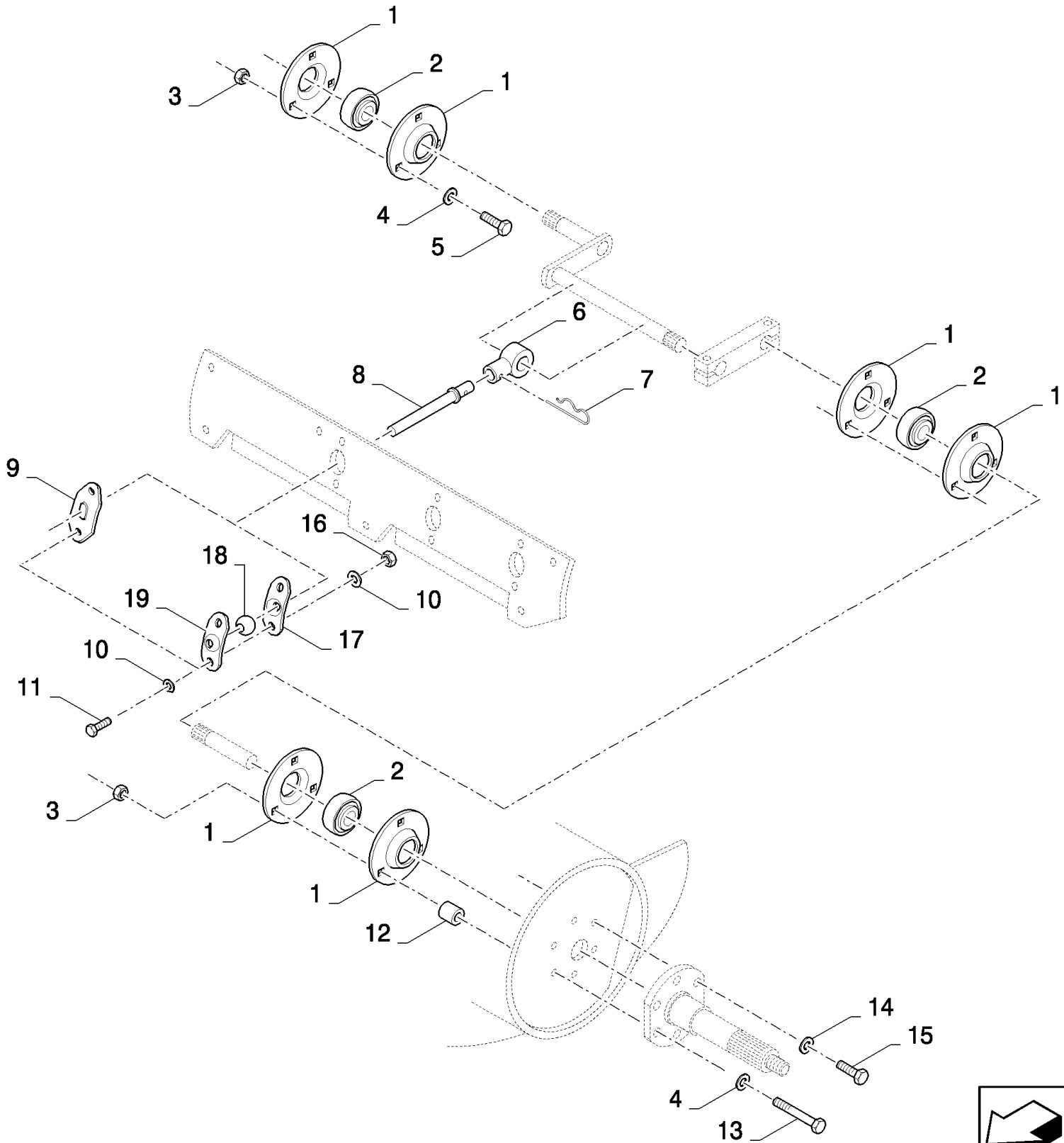
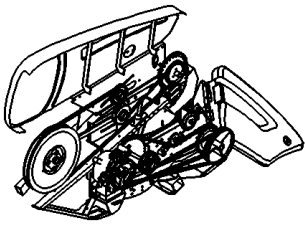
## 20.22(01) FEED AUGER

сылка	Номер детали	Кол-во	Описание
1	84071149	1	SHAFT, , FOR 17FT ONLY
1	84057965	1	SHAFT, , FOR 20 AND 24FT ONLY
1	84043704	1	SHAFT, , FOR 30FT ONLY
1	84435452	1	SHAFT, , FOR 12FT ONLY
1	84435453	1	SHAFT, , FOR 13FT ONLY
1	84435455	1	SHAFT, , FOR 15FT ONLY
2	740351	AR	SHAFT,
3	753774	2	SHAFT, , FOR 17 AND 20FT ONLY
3	740374	2	SHAFT, , FOR 24FT ONLY
3	84043701	2	SHAFT, , FOR 30FT ONLY
4	740380	1	SHAFT, , FOR 12 TO 17FT ONLY
4	84043702	1	SHAFT, , FOR 20 TO 30FT ONLY
5	740644	1	SHAFT, , FOR 17FT ONLY
5	84057958	1	SHAFT, , FOR 20 AND 24FT ONLY
5	84043701	1	SHAFT, , FOR 30FT ONLY
5	80740880	1	SHAFT, , FOR 12FT ONLY
5	80740878	1	SHAFT, , FOR 13FT ONLY
5	740374	1	SHAFT, , FOR 15FT ONLY
6	740373	1	SHAFT,
7	43144	10	SCREW, Hex, M10 x 70, 8.8,
8	140045	10	WASHER, SPRING, Belleville, M10,
9	100016	10	NUT, M10, CI 8,
10	89706690	6	NUT, M8, CI 8,
11	140041	2	WASHER, M8 x 28 x 3,
12	84053868	1	AUGER FLIGHT, RH
12	84053867	1	AUGER FLIGHT, LH
13	322358	6	WASHER, SPRING, Belleville, M8,
14	120104	14	SCREW, Hex, M8 x 20, 8.8,
15	80751196	2	PROTECTING COVER,
16	89706690	8	NUT, M8, CI 8,
17	89819953	1	AUGER, , FOR 17FT ONLY, BSN C065
17	87603128	1	AUGER, , FOR 17FT ONLY, ASN D066
17	84800164	1	AUGER, , FOR 17FT ONLY, WITH METAL GUIDES ONLY
17	84068099	1	AUGER, , FOR 20FT ONLY, BSN C831
17	87382566	1	AUGER, , FOR 20FT ONLY, ASN D832
17	84058347	1	AUGER, , FOR 24FT ONLY, BSN C831
17	87382570	1	AUGER, , FOR 24FT ONLY, ASN D832
17	84043501	1	AUGER, , FOR 30FT ONLY, BSN C831
17	87370390	1	AUGER, , FOR 30FT ONLY, ASN D832
17	89833260	1	AUGER, , FOR 12FT ONLY
17	89833261	1	AUGER, , FOR 13FT ONLY
17	89832786	1	AUGER, , FOR 15FT ONLY
17	84800162	1	AUGER, , FOR 15FT ONLY, WITH METAL GUIDES ONLY
17	87352645	1	AUGER, , WITH METAL GUIDES ONLY, FOR 20FT ONLY

## HIGH-CAPACITY GRAIN HEADER (1/02- )

## 20.22(01) FEED AUGER

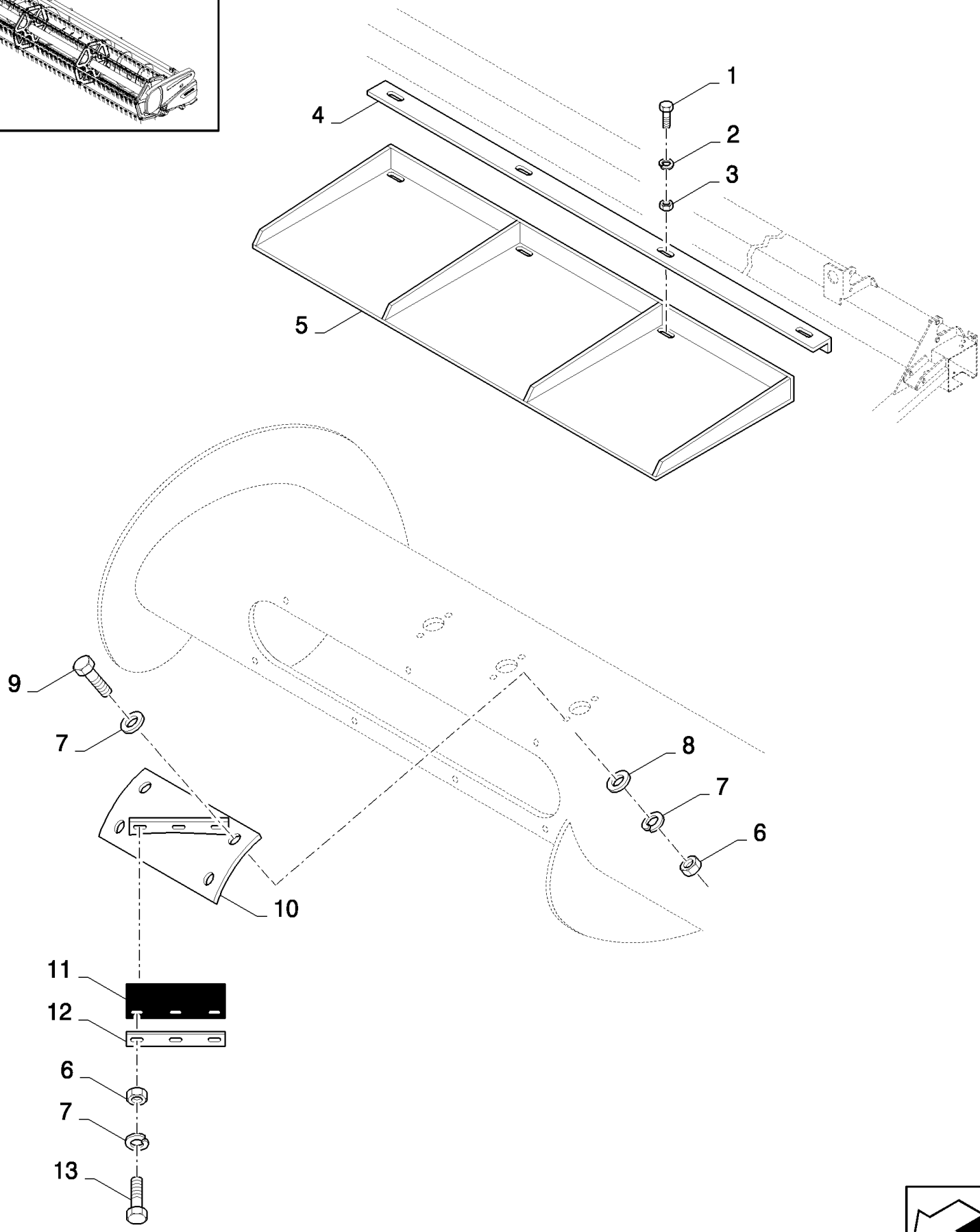
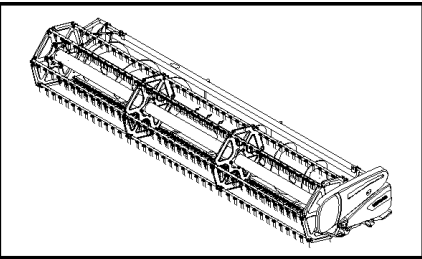
сылка	Номер детали	Кол-во	Описание
18	86508568	AR	SCREW, Hex, M6 x 16, 8.8,
19	322357	AR	WASHER, SPRING, Belleville, M6,
20	84001297	1	COVER, , FOR 12 TO 17FT ONLY
20	84043529	1	COVER, LH, FOR 20 TO 30FT ONLY
20	84043528	1	COVER, RH, FOR 20 TO 30FT ONLY
21	353308	AR	NUT, M6 x 1, CI 8,
22	140015	AR	WASHER, 6MM
23	747408	6	COVER, , FOR 20, 24 AND 30FT ONLY
24	120100	AR	BOLT, Hex, M6 x 20, 8.8,
25	15896221	AR	NUT, M6, CI 10,
26	80740802	2	PROFILE,
27	80120099	AR	BOLT, Hex, M6 x 16, 8.8,
28	140015	AR	WASHER, 6MM
29	89831583	AR	PLATE,
30	80740622	AR	NUT,



## HIGH-CAPACITY GRAIN HEADER (1/02- )

## 20.23(01) FEED AUGER, FINGERS

сылка	Номер детали	Кол-во	Описание
1	40697	12	FLANGE,
2	325106	6	BEARING ASSY,
3	100016	AR	NUT, M10, CI 8,
4	140045	AR	WASHER, SPRING, Belleville, M10,
5	V43471	AR	BOLT, M10x20
6	740844	AR	COUPLING,
7	740591	AR	PIN, SPLIT (COTTER),
8	84000121	AR	FINGER,
8	84453707	AR	FINGER, , WITH METAL GUIDES ONLY
9	89503888	AR	GUIDE, , BSN C619
9	86632613	AR	PIN, GUIDE, , ASN D620
10	140015	AR	WASHER, 6MM
11	120100	AR	BOLT, Hex, M6 x 20, 8.8,
12	342468	3	SPACER,
13	412217	3	BOLT, Hex, M10 x 55, 8.8, M10x55
14	140046	3	WASHER, Belleville, M12,
15	300388	3	SCREW, Hex, M12 x 25, 8.8,
16	353308	AR	NUT, M6 x 1, CI 8,
17	80740602	AR	GUIDE, , WITH METAL GUIDES ONLY
18	80740600	AR	BEARING ASSY, , WITH METAL GUIDES ONLY
19	80740603	AR	GUIDE, , WITH METAL GUIDES ONLY



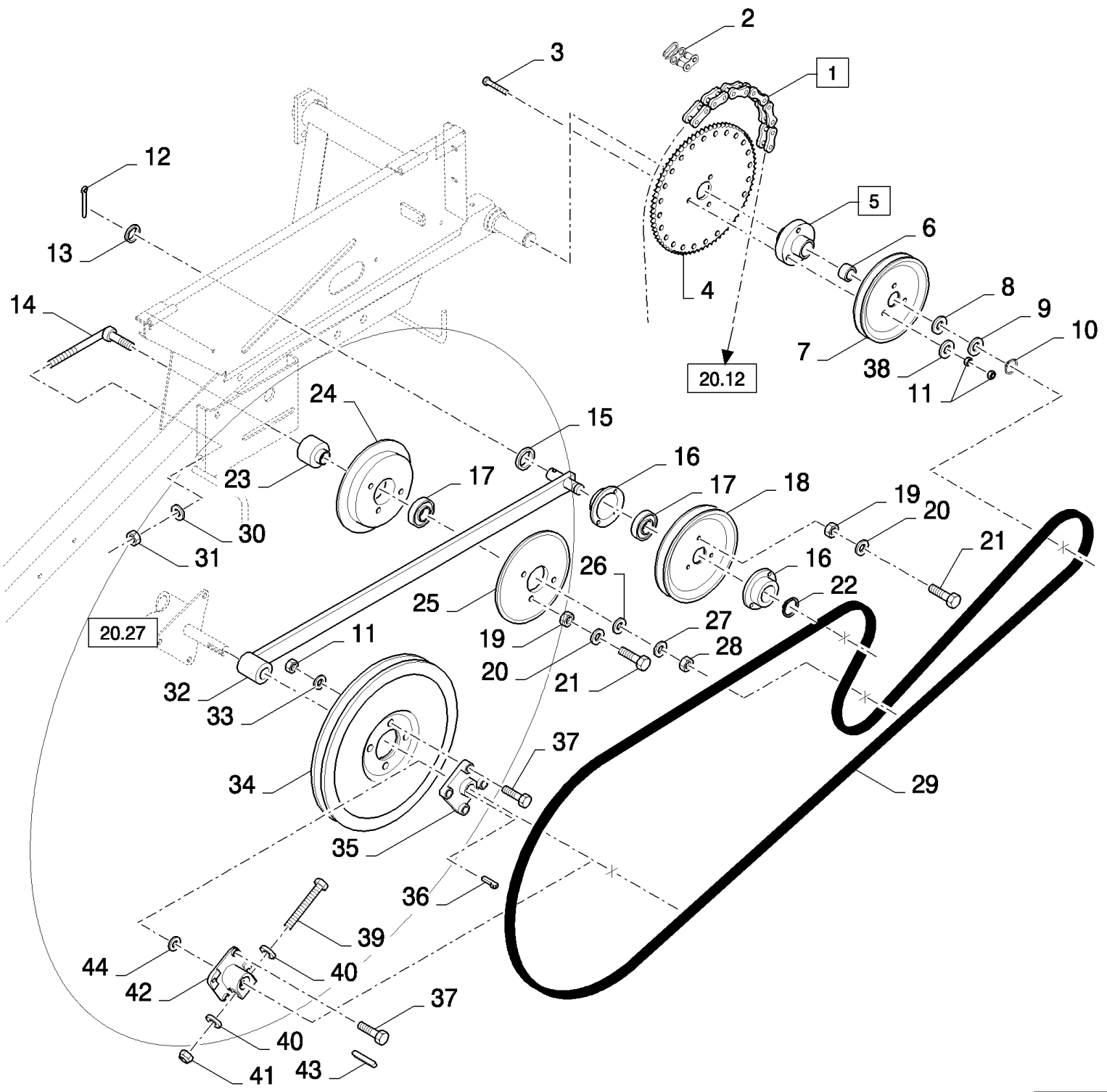
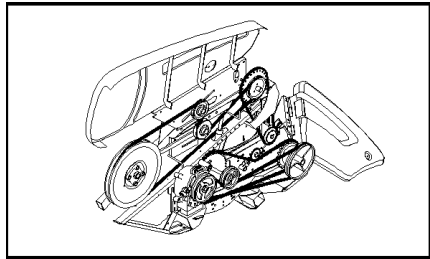
## HIGH-CAPACITY GRAIN HEADER (1/02- )

## 20.24(01) SWEEPERS FOR FEEDING AUGER

сылка	Номер детали	Кол-во	Описание
1	43138	4	SCREW, Hex, M10 x 20, 8.8, Full Thd,
2	140045	4	WASHER, SPRING, Belleville, M10,
3	100016	4	NUT, M10, CI 8,
4	89508483	1	BAR PLATE,
5	356580	1	GUARD,
6	15896221	49	NUT, M6, CI 10,
7	322357	77	WASHER, SPRING, Belleville, M6,
8	140040	28	WASHER, M6 x 22 x 2,
9	80120099	28	BOLT, Hex, M6 x 16, 8.8,
10	89593115	4	SUPPORT, LH
10	89593113	3	SUPPORT, RH
11	80190149	7	CANVAS,
12	488394	7	PLATE,
13	43117	21	BOLT, Hex, M6 x 30, 8.8,

HIGH-CAPACITY GRAIN HEADER (1/02- )

20.25(01) REEL, BELT DRIVE



## HIGH-CAPACITY GRAIN HEADER (1/02- )

## 20.25(01) REEL, BELT DRIVE

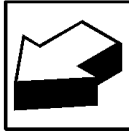
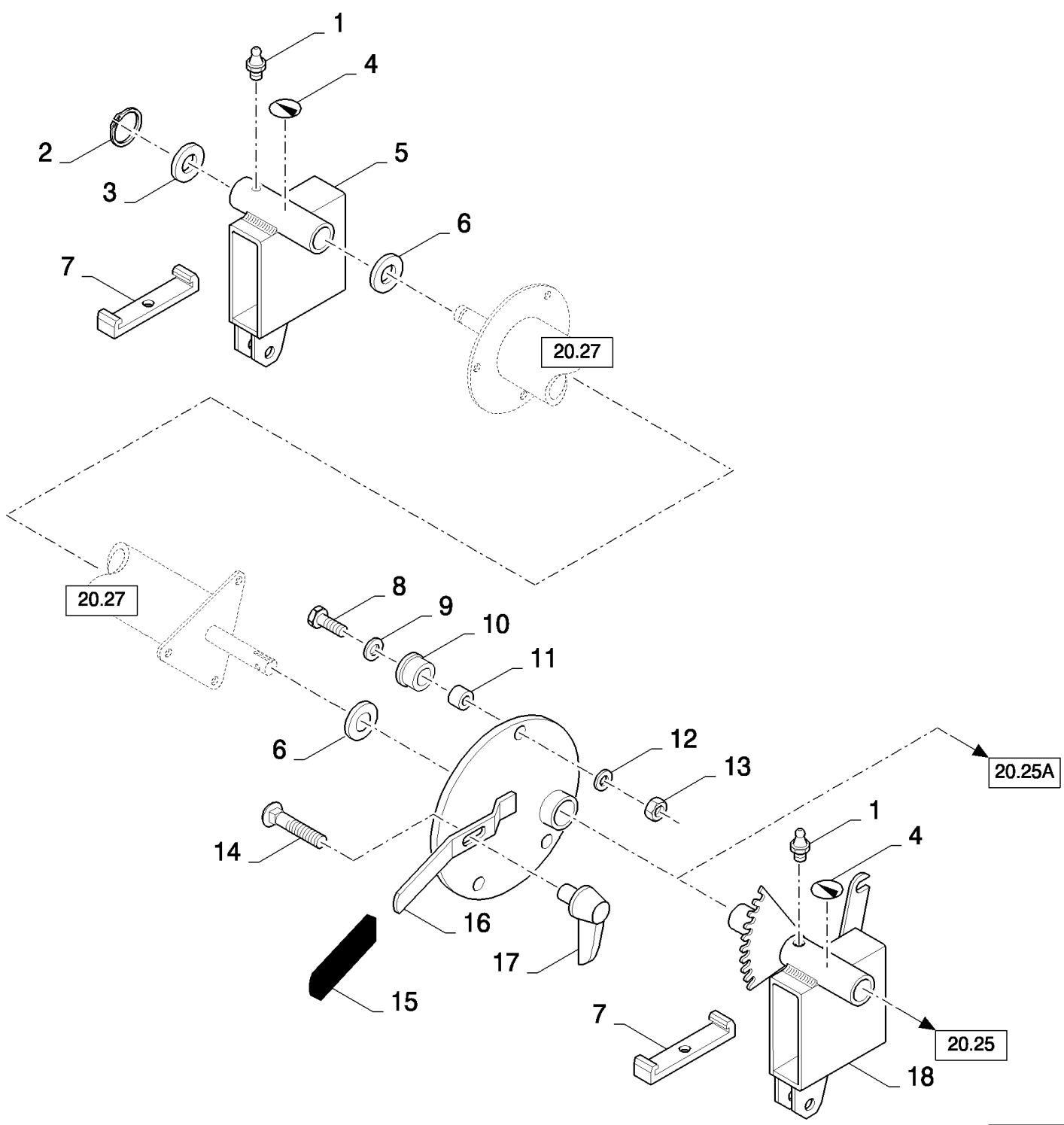
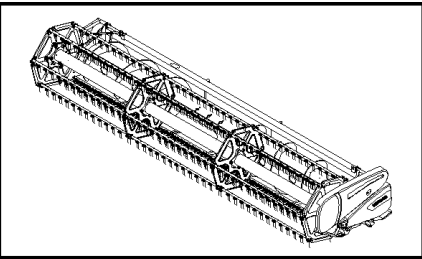
сылка	Номер детали	Кол-во	Описание
1	84058835	1	CHAIN, (2)
2	25194	3	LINK, CONNECTING,
3	120070	3	BOLT, Hex, M10 x 60, 8.8,
4	84320790	1	SPROCKET, DRIVEN,
5	84320881	1	HUB, (6)
6	420410	2	BUSHING,
7	84334822	1	PULLEY,
8	140109	1	WASHER,
9	441176	1	WASHER,
10	370003	1	RING, SNAP, M30, Ext,
11	100016	10	NUT, M10, CI 8,
12	412685	1	PIN, SPLIT (COTTER), M4 x 32,
13	140093	1	WASHER,
14	89831274	1	ROD, ADJUSTMENT,
15	140021	1	WASHER, M20 x 37 x 3,
16	396806	2	FLANGE,
17	443898	2	BEARING, BALL,
18	84077479	1	PULLEY,
19	15896221	6	NUT, M6, CI 10,
20	322357	6	WASHER, SPRING, Belleville, M6,
21	86508568	6	SCREW, Hex, M6 x 16, 8.8,
22	370002	1	RING, SNAP, M25, Ext,
23	89835774	1	SPACER,
24	290122	1	HALF-PULLEY,
25	290119	1	HALF-PULLEY,
26	140086	1	WASHER,
27	140046	1	WASHER, Belleville, M12,
28	9706685	1	NUT, M12, CI 8,
29	80921330	1	BELT, TRANSMISSION,
30	378245	1	WASHER, M12,
31	412126	1	NUT, LOCK, M12 x 1.75, CI 8,
32	84320880	1	ARM,
33	140045	4	WASHER, SPRING, Belleville, M10,
34	84320883	1	PULLEY, , BSN C665
34	84446006	1	PULLEY, , ASN D666
35	84320882	1	HUB, , BSN C649
36	333228	1	KEY, , BSN C649
37	43140	4	BOLT, Hex, M10 x 30, 8.8, Full Thd,
38	86592700	3	WASHER, M10 x 28 x 4, HT, 10MM
39	43158	1	BOLT, Hex, M12 x 80, 8.8, , ASN D650
40	394630	2	WASHER, , ASN D650
41	100038	1	NUT, M12 x 1.75, CI 8, , ASN D650
42	84076831	1	HUB, , ASN D650
43	323190	1	KEY, 10x8x63, ASN D650

HIGH-CAPACITY GRAIN HEADER (1/02- )

20.25(01) REEL, BELT DRIVE

сылка	Номер детали	Кол-во	Описание
43	412060	1	KEY, 10x8x80, ASN D676
44	84025499	1	WASHER, , ASN D650

20.26(01) REEL, SUPPORTS



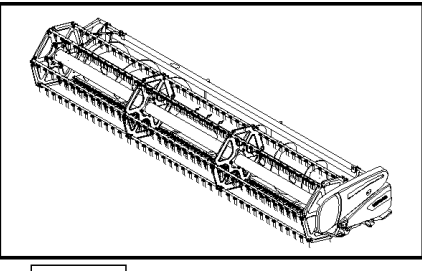
## HIGH-CAPACITY GRAIN HEADER (1/02- )

## 20.26(01) REEL, SUPPORTS

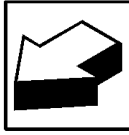
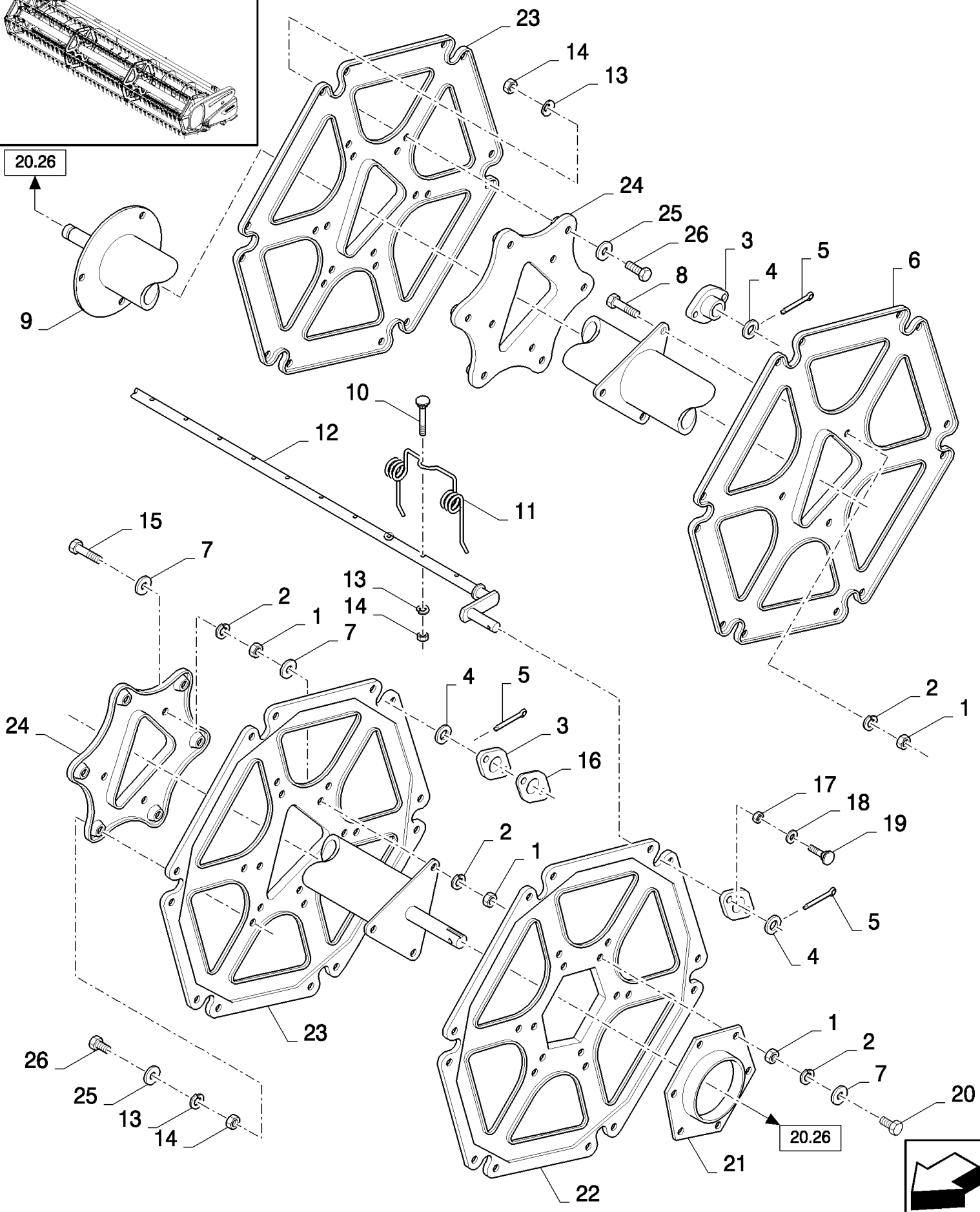
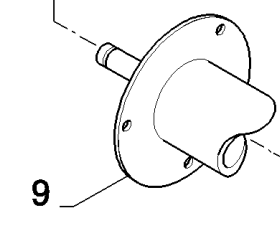
сылка	Номер детали	Кол-во	Описание
1	321204	2	NIPPLE, LUBE, M6 x 1, 16mm lg, , FOR HIGH-CAPACITY ONLY
2	11068376	1	RING, SNAP, M35, Ext x 1.5 Thk,
3	84075368	1	WASHER,
4	84989464	2	DECAL, , BSN C649
4	84334829	2	DECAL, , ASN D650
5	84432636	1	SUPPORT, RH, BSN C649
5	84432496	1	SUPPORT, RH, ASN D650
6	324196	2	WASHER, 36MM
7	89831376	2	PLATE,
8	9706717	3	BOLT, Hex, M12 x 70, 8.8, Full Thd, Hex, M12 x 70, 8.8, Full Thd
9	140085	3	WASHER, 13MM
10	424230	3	BUSHING,
11	436353	3	BUSHING,
12	140046	3	WASHER, Belleville, M12,
13	9706685	3	NUT, M12, CI 8,
14	338949	1	BOLT, CARRIAGE, Short NK, M10 x 25, CI8.8, Full Thd,
15	332809	1	HANDLE GRIP,
16	84432646	1	DISC,
17	89832581	1	HANDLE,
18	84432642	1	SUPPORT, LH, FOR HIGH-CAPACITY ONLY, BSN C649
18	84432367	1	SUPPORT, LH, FOR HIGH-CAPACITY ONLY, ASN D650

HIGH-CAPACITY GRAIN HEADER (1/02- )

20.27(01) REEL



20.26



## HIGH-CAPACITY GRAIN HEADER (1/02- )

20.27(01) REEL

сылка	Номер детали	Кол-во	Описание
1	100016	AR	NUT, M10, CI 8,
2	140045	AR	WASHER, SPRING, Belleville, M10,
3	89832294	AR	SUPPORT,
3	84038023	6	COVER, CAP,
4	444211	AR	WASHER, 34MM
5	300416	AR	PIN, SPLIT (COTTER), M4 x 50,
6	84400172	AR	DISC, Inner
7	140042	AR	WASHER, M10 x 34 x 3,
8	43138	AR	SCREW, Hex, M10 x 20, 8.8, Full Thd,
9	84432735	1	REEL, , FOR 17FT ONLY, BSN C649
9	84447182	1	REEL, , FOR 17FT ONLY, ASN D650
9	84432732	1	REEL, , FOR 20FT ONLY, BSN C649
9	84447151	1	REEL, , FOR 20FT ONLY, ASN D650
9	84432725	1	REEL, , FOR 24FT ONLY, BSN C649
9	84461496	1	REEL, , FOR 24FT ONLY, ASN D650
9	84400171	1	REEL, , FOR 30FT ONLY, BSN C649
9	84461902	1	REEL, , FOR 30FT ONLY, ASN D650
9	84435236	1	REEL, , FOR 15FT ONLY, BSN C649
9	84447188	1	REEL, , FOR 15FT ONLY, ASN D650
9	84435228	1	REEL, , FOR 13FT ONLY, BSN C649
9	84447194	1	REEL, , FOR 13FT ONLY, ASN D650
9	84435222	1	REEL, , FOR 12FT ONLY, BSN C649
9	84447206	1	REEL, , FOR 12FT ONLY, ASN D650
10	9814004	AR	BOLT, CARRIAGE, Short NK, M8 x 45, CI8.8, M8x45
11	89819750	AR	TINE, REEL,
12	84432703	6	TINE BAR, , FOR 17FT ONLY
12	84432677	6	TINE BAR, , FOR 20FT ONLY
12	84432707	6	TINE BAR, , FOR 24FT ONLY
12	84432714	6	TINE BAR, , FOR 30FT ONLY
12	84435211	6	TINE BAR, , FOR 15FT ONLY
12	84435194	6	TINE BAR, , FOR 13FT ONLY
12	84435201	6	TINE BAR, , FOR 12FT ONLY
13	322358	AR	WASHER, SPRING, Belleville, M8,
14	89706690	AR	NUT, M8, CI 8,
15	9706704	6	BOLT, Hex, M10 x 35, 8.8, Full Thd,
16	84432661	6	CLAMP,
16	84038023	6	COVER, CAP,
17	86629542	AR	NUT, LOCK, M8 x 1.25, CI 8,
18	378243	AR	WASHER, M8,
19	9837586	AR	BOLT, M8x20
19	308761	12	BOLT, CARRIAGE, Short NK, M8 x 25, CI8.8, Full Thd, , FOR AL OR HILLSIDE SERIES ONLY
20	43138	9	SCREW, Hex, M10 x 20, 8.8, Full Thd,
21	84002761	1	DISC,
22	84058667	1	DISC, LH

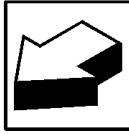
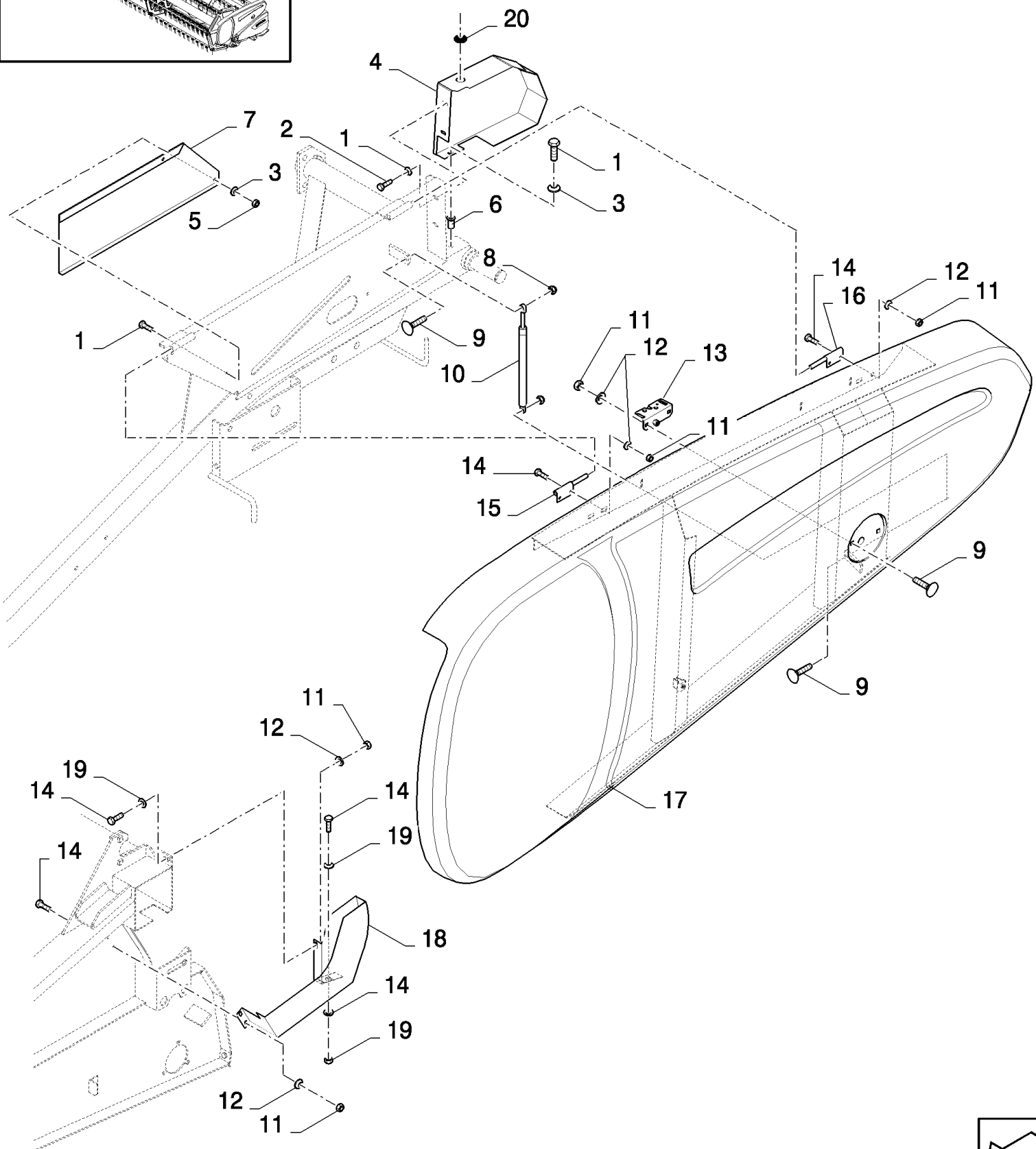
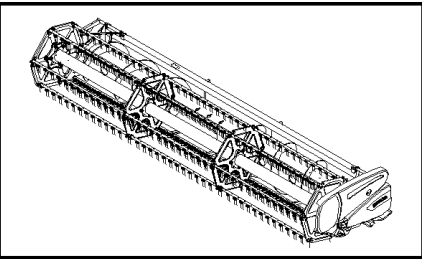
## HIGH-CAPACITY GRAIN HEADER (1/02- )

20.27(01) REEL

сылка	Номер детали	Кол-во	Описание
23	84032737	2	DISC, Outer
24	89838272	2	DISC,
25	140041	12	WASHER, M8 x 28 x 3,
26	16043224	12	BOLT, Hex, M8 x 16, 8.8, Full Thd,

HIGH-CAPACITY GRAIN HEADER (1/02-)

20.28(01) SHIELDS, LH

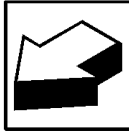
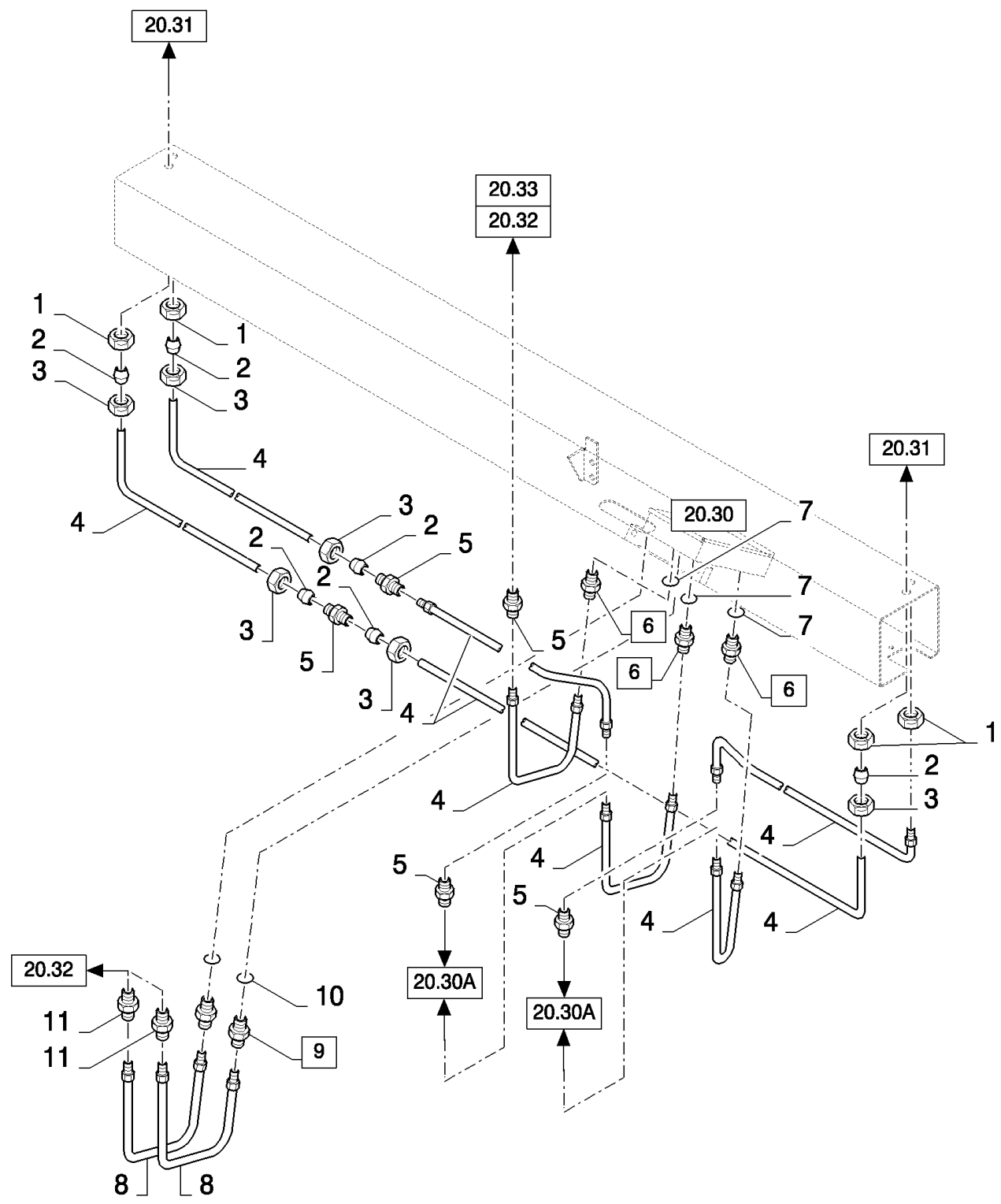
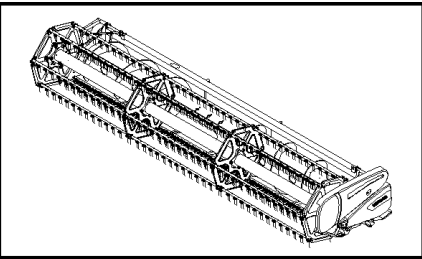


## HIGH-CAPACITY GRAIN HEADER (1/02- )

20.28(01) SHIELDS, LH

сылка	Номер детали	Кол-во	Описание
1	86508568	5	SCREW, Hex, M6 x 16, 8.8,
2	140015	2	WASHER, 6MM
3	322357	3	WASHER, SPRING, Belleville, M6,
4	84434100	1	SHIELD, , BSN C665
4	84446036	1	SHIELD, , ASN D666
5	15896221	2	NUT, M6, CI 10,
6	9833239	1	NUT,
7	84077923	1	SHIELD,
8	86629542	2	NUT, LOCK, M8 x 1.25, CI 8,
9	86507486	2	BOLT, CARRIAGE, Short NK, M8 x 20, CI8.8, Full Thd,
9	308761	2	BOLT, CARRIAGE, Short NK, M8 x 25, CI8.8, Full Thd,
10	84068277	1	SHOCK ABSORBER,
11	89706690	10	NUT, M8, CI 8,
12	322358	10	WASHER, SPRING, Belleville, M8,
13	84015292	1	LOCK,
14	16043224	8	BOLT, Hex, M8 x 16, 8.8, Full Thd,
15	84077462	1	HINGE,
16	84077466	1	HINGE,
17	84334996	1	SHIELD,
18	84075614	1	SHIELD,
19	140016	2	WASHER, M8 x 16 x 1.6,
20	331231	1	GROMMET, , BSN C665

20.29(01) HYDRAULIC HORIZONTAL REEL ADJUSTMENT

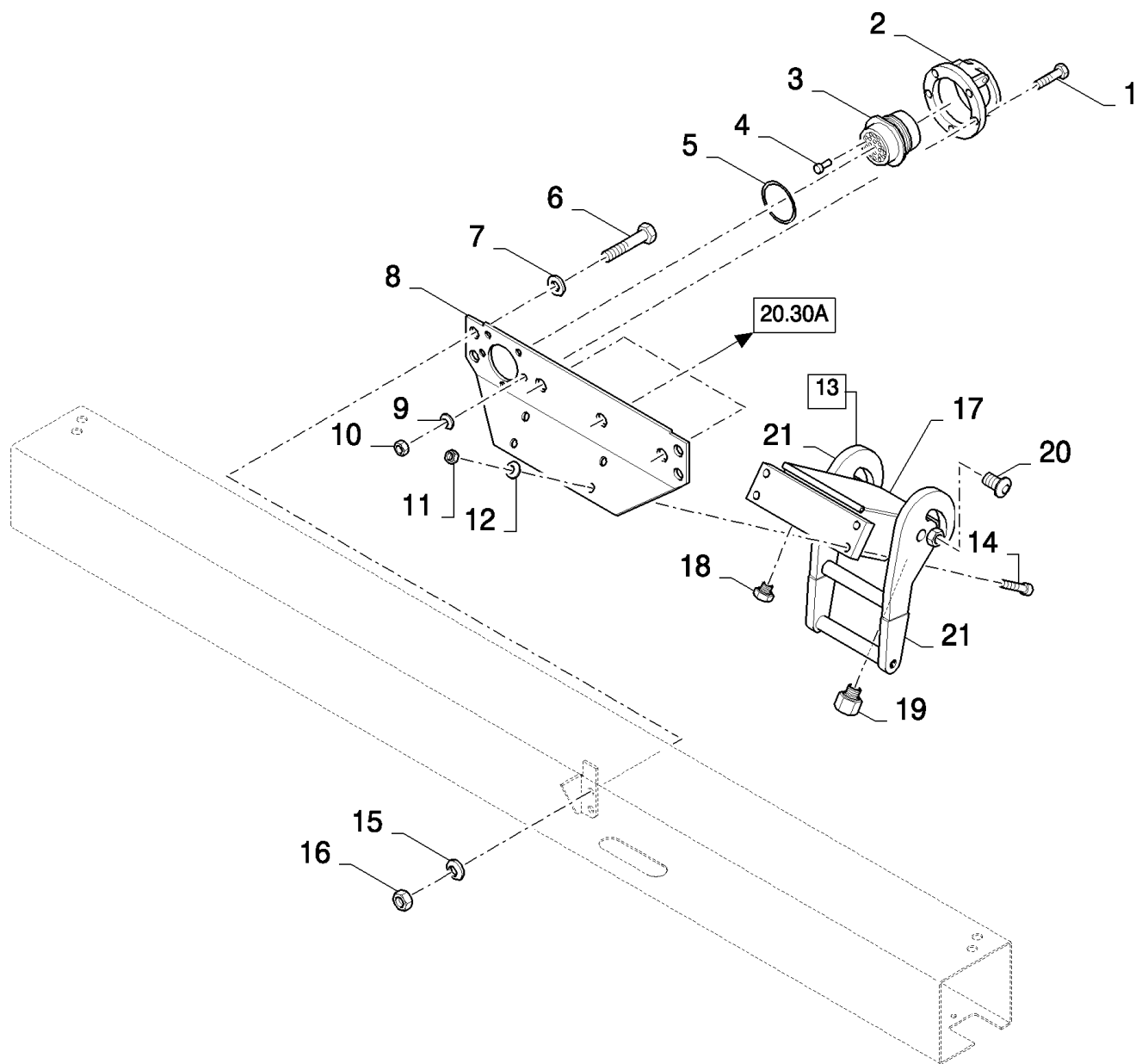
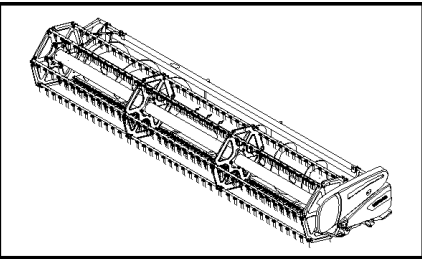


## HIGH-CAPACITY GRAIN HEADER (1/02- )

## 20.29(01) HYDRAULIC HORIZONTAL REEL ADJUSTMENT

сылка	Номер детали	Кол-во	Описание
1	80100064	4	NUT,
2	335136	AR	FERRULE,
3	335135	AR	NUT,
4	NS	AR	NOT SERVICED, Pipe, D=8MM, SEE FIGURE 20.99
5	335172	5	CONNECTOR, HYD.,
6	84077400	3	CONNECTOR, HYD., (7)
7	9617873	3	O-RING, 6-1, 90 Duro, .468" ID x .078" Thk,
8	NS	AR	NOT SERVICED, PIPE, D=16MM, SEE FIGURE 20.99, FOR EXTRA-CAPACITY ONLY
9	84447036	2	CONNECTOR, HYD., (10), FOR EXTRA-CAPACITY ONLY
10	128825	2	O-RING, 8-1, 90 Duro, .644" ID x .087" Thk, , FOR EXTRA-CAPACITY ONLY
11	335174	2	CONNECTOR, HYD., , FOR EXTRA-CAPACITY ONLY

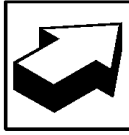
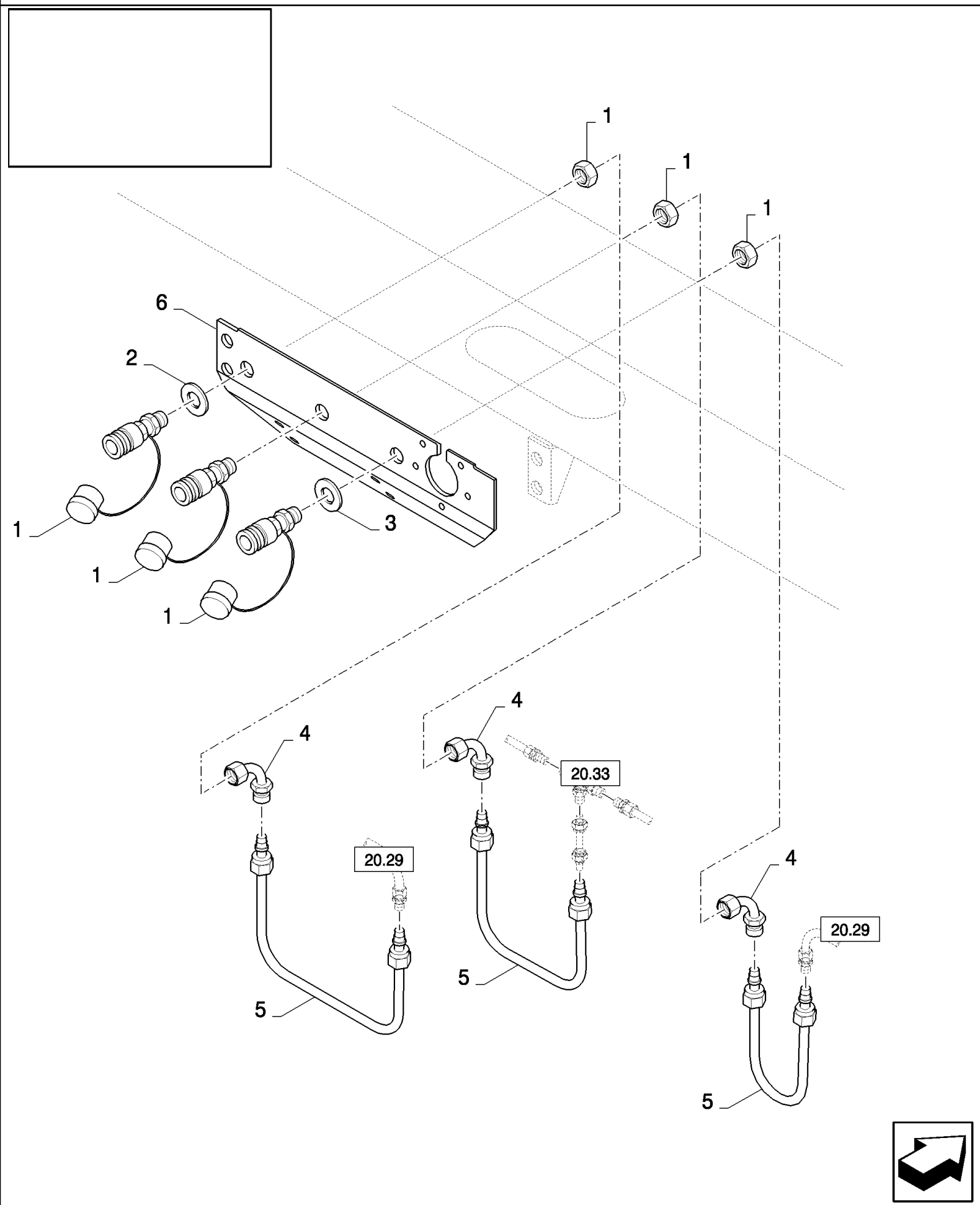
20.30(01) MULTI-FASTENER AND ELECTRICAL CONNECTOR



## HIGH-CAPACITY GRAIN HEADER (1/02- )

## 20.30(01) MULTI-FASTENER AND ELECTRICAL CONNECTOR

сылка	Номер детали	Кол-во	Описание
1	120098	5	BOLT, Hex, M5 x 20, 8.8, Full Thd,
2	86606228	1	COVER,
3	86575800	1	CONNECTOR, WIRE,
4	84068583	21	PLUG,
5	84037188	1	O-RING,
6	43138	4	SCREW, Hex, M10 x 20, 8.8, Full Thd,
7	378244	4	WASHER, M10,
8	84077961	1	SUPPORT,
9	322356	5	WASHER, 5MM
10	86508813	5	NUT, M5, CI 8,
11	89706690	4	NUT, M8, CI 8,
12	322358	4	WASHER, SPRING, Belleville, M8,
13	84435008	1	COUPLING, QUICK, MALE, (17, 18, 20, 21), FOR HIGH-CAPACITY ONLY
13	84434997	1	COUPLING, (17 to 21), FOR EXTRA-CAPACITY ONLY, FOR VARIFEED ONLY
14	120228	4	SCREW, Hex Soc Hd, M8 x 20, 8.8,
15	140045	4	WASHER, SPRING, Belleville, M10,
16	100016	4	NUT, M10, CI 8,
17	84435044	1	COVER,
18	84435047	3	COUPLING,
19	84435046	2	COUPLING,
20	86623902	1	LATCH,
21	86623901	1	HANDLE,

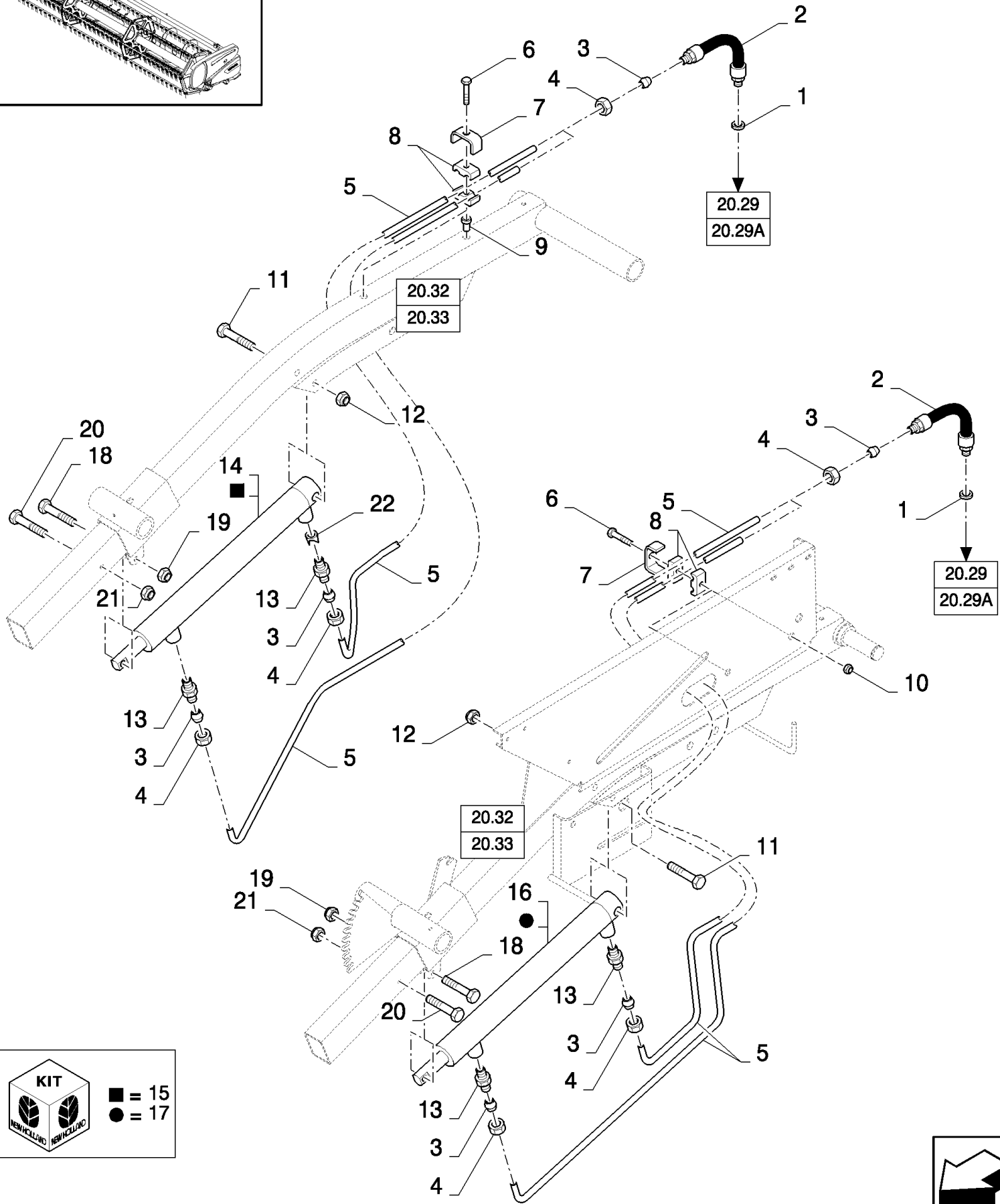
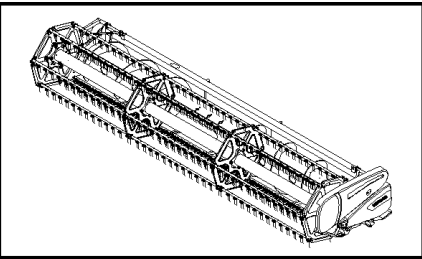


## HIGH-CAPACITY GRAIN HEADER (1/02- )

## 20.30A(01) SCREW COUPLING - FOR 12 TO 15 FT ONLY

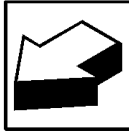
сылка	Номер детали	Кол-во	Описание
1	456017	3	COUPLING, QUICK, MALE,
2	747812	1	WASHER,
3	747811	1	WASHER,
4	418283	3	ELBOW, , BSN C659
5	NS	AR	NOT SERVICED, DIA : 8MM, L : 2M, SEE FIGURE 20.99
6	84446291	1	SUPPORT,

20.31(01) HYDRAULIC HORIZONTAL REEL ADJUSTMENT



**KIT**

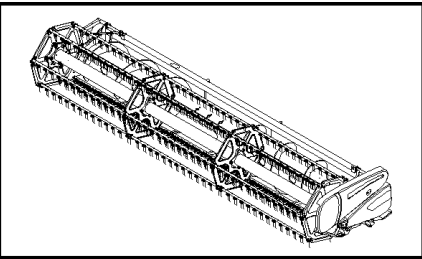
■ = 15  
● = 17



## HIGH-CAPACITY GRAIN HEADER (1/02- )

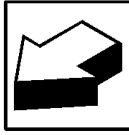
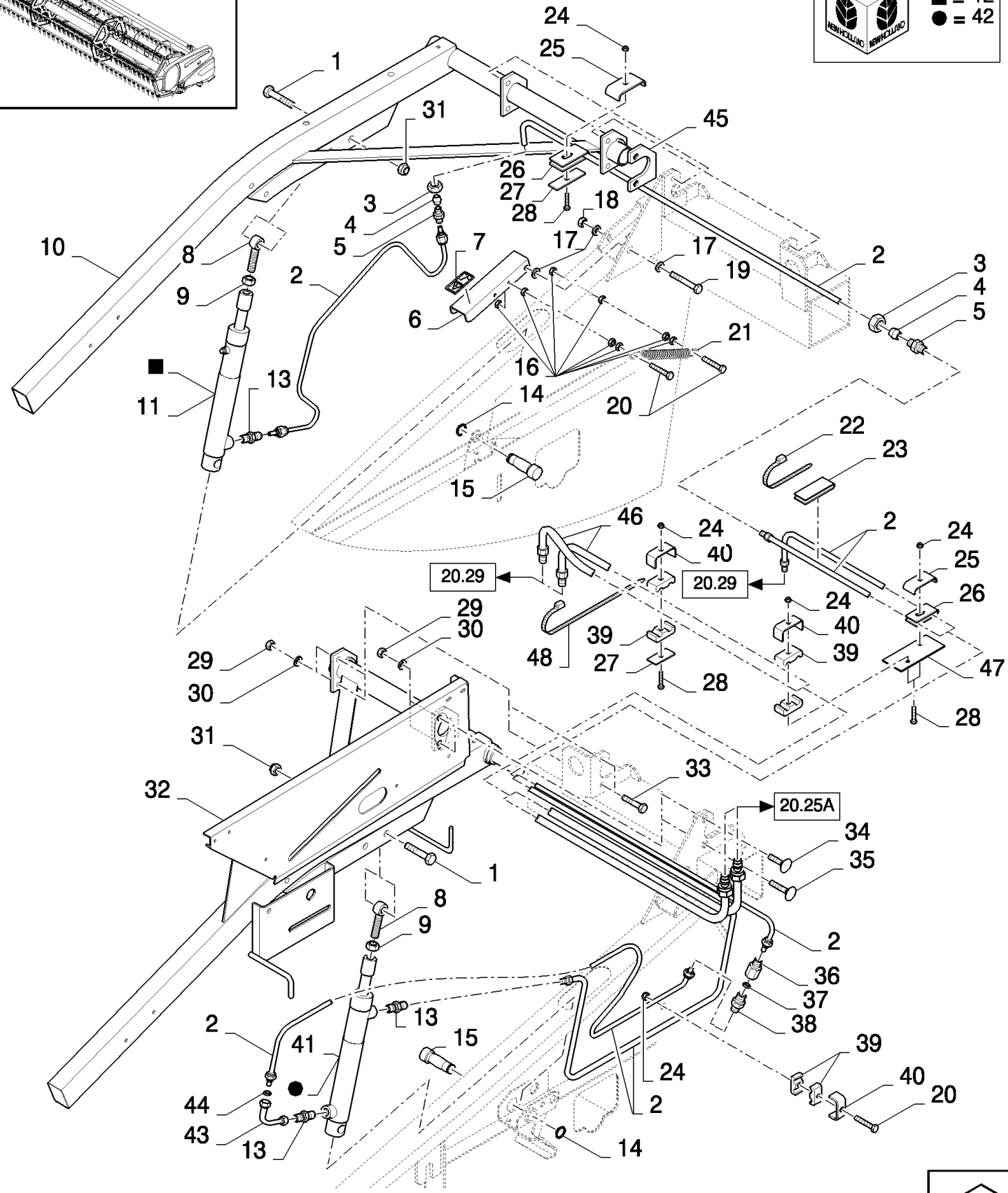
## 20.31(01) HYDRAULIC HORIZONTAL REEL ADJUSTMENT

сылка	Номер детали	Кол-во	Описание
1	140069	4	WASHER, , FOR 17 TO 24FT ONLY
2	9832189	4	HOSE,
3	335136	AR	FERRULE,
4	335135	AR	NUT,
5	NS	AR	NOT SERVICED, Pipe, D=8MM, SEE FIGURE 20.99
6	43118	4	BOLT, Hex, M6 x 40, 8.8,
7	431941	4	SUPPORT,
8	430357	8	CLAMP,
9	9833239	2	NUT,
10	353308	2	NUT, M6 x 1, CI 8,
11	9706717	2	BOLT, Hex, M12 x 70, 8.8, Full Thd, Hex, M12 x 70, 8.8, Full Thd
12	100038	2	NUT, M12 x 1.75, CI 8,
13	386215	4	CONNECTOR, HYD.,
14	84320874	1	HYDRAULIC CYLINDER, (15), FOR HIGH-CAPACITY ONLY
14	84448168	1	HYDRAULIC CYLINDER, (15), FOR VARIFEED ONLY, FOR EXTRA-CAPACITY ONLY
15	84023914	1	KIT, SEALS,
16	84320873	1	HYDRAULIC CYLINDER, (17), FOR HIGH-CAPACITY ONLY
16	84448166	1	HYDRAULIC CYLINDER, (17), FOR EXTRA-CAPACITY ONLY, FOR VARIFEED ONLY
17	84026460	1	KIT, SEALS,
18	120069	2	SCREW, Hex, M10 x 50, 8.8,
19	100037	2	NUT, M10 x 1.5, CI 8,
20	120061	2	BOLT, Hex, M8 x 60, 8.8,
21	86629542	2	NUT, LOCK, M8 x 1.25, CI 8,
22	350657	1	VALVE, RESTRICTOR, 1.5MM, FOR HIGH-CAPACITY ONLY
22	84043754	1	ORIFICE, , FOR EXTRA-CAPACITY ONLY
22	385686	1	ORIFICE, 1MM, FOR VARIFEED ONLY



**KIT**

■ = 12  
● = 42



## HIGH-CAPACITY GRAIN HEADER (1/02- )

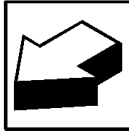
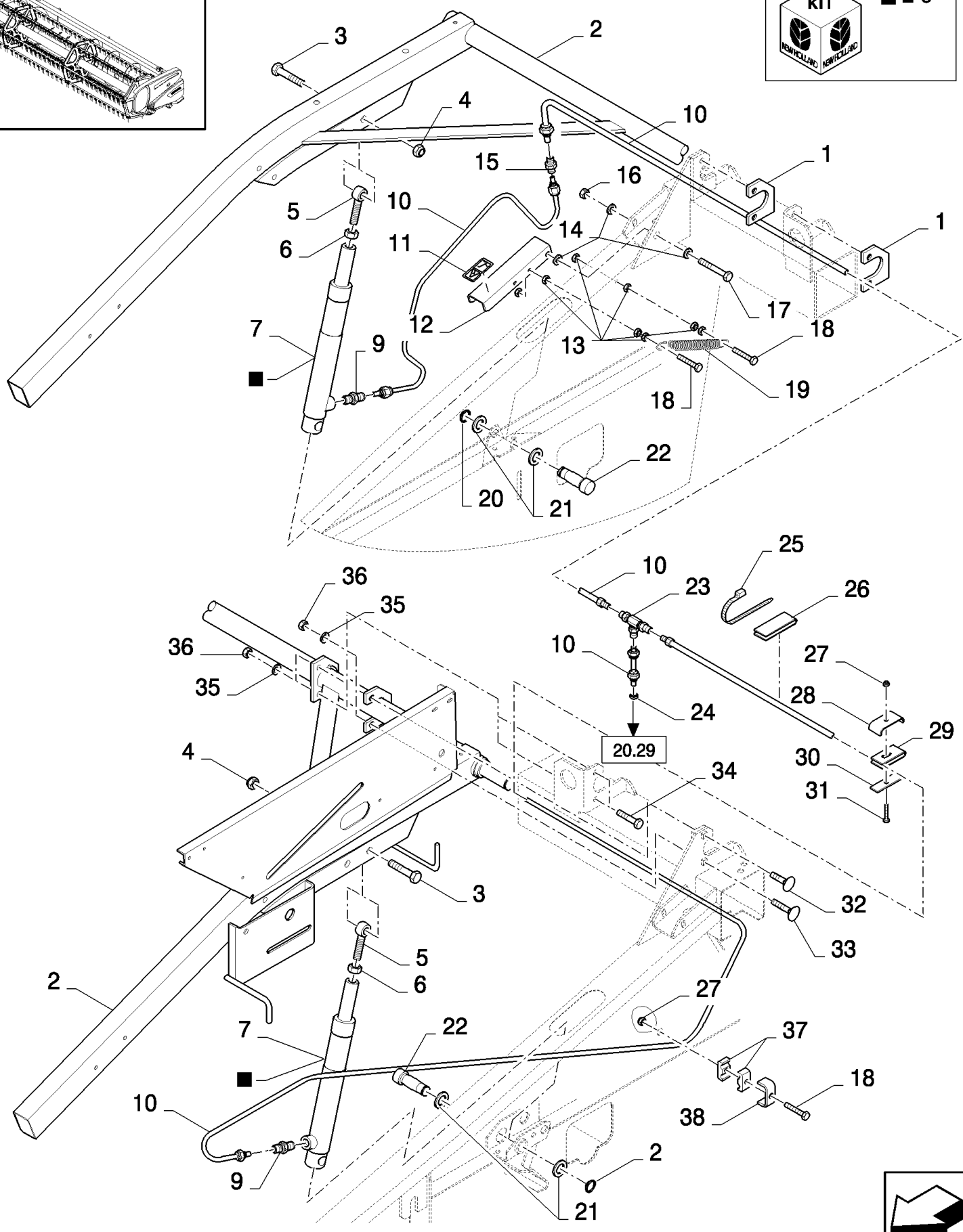
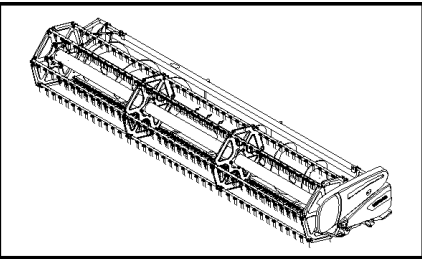
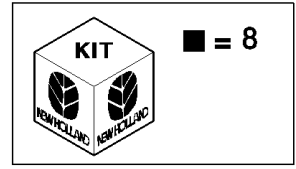
## 20.32(01) REEL SUPPORTS AND HYDRAULIC VERTICAL ADJUSTMENT, FOR 17 FT TO 30 FT ONLY

сылка	Номер детали	Кол-во	Описание
1	120092	2	SCREW, Hex, M16 x 70, 8.8,
2	NS	AR	NOT SERVICED, Pipe, D=8MM, SEE FIGURE 20.99
3	335135	2	NUT,
4	335136	2	FERRULE,
5	335172	2	CONNECTOR, HYD.,
6	84042283	2	BRACKET, , FOR HIGH-CAPACITY ONLY
6	84448342	1	SUPPORT, , FOR EXTRA-CAPACITY ONLY, BSN C705
6	84455726	1	SUPPORT, , FOR EXTRA-CAPACITY ONLY, ASN D706
7	84068808	2	DECAL,
8	80447598	2	BOLT, BANJO, , FOR HIGH-CAPACITY ONLY
8	80447598	2	BOLT, BANJO, , FOR EXTRA-CAPACITY ONLY, BSN C751
8	354131	2	BOLT, , FOR EXTRA-CAPACITY ONLY, ASN D752
9	100095	2	NUT, Thin, M16 x 2, CI 04,
10	84320897	1	ARM, , FOR HIGH-CAPACITY ONLY
10	84448327	1	ARM, , FOR EXTRA-CAPACITY ONLY
11	84058301	1	HYDRAULIC CYLINDER, (12), FOR HIGH-CAPACITY ONLY, BSN C619
11	84814270	1	HYDRAULIC CYLINDER, (12), FOR HIGH-CAPACITY ONLY, ASN D620
11	84448156	1	HYDRAULIC CYLINDER, (12), FOR EXTRA-CAPACITY ONLY
12	84026009	1	KIT, SEALS,
13	386215	3	CONNECTOR, HYD.,
14	370024	2	RING, SNAP, M20, Ext,
15	9514196	2	PIN,
16	15896221	16	NUT, M6, CI 10,
17	378244	6	WASHER, M10,
18	100037	2	NUT, M10 x 1.5, CI 8,
19	120074	2	BOLT, Hex, M10 x 90, 8.8,
20	120102	5	SCREW, Hex, M6 x 40, 8.8, Full Thd,
21	326307	2	SPRING,
22	86566989	AR	STRAP, CABLE,
23	441584	AR	SEAL,
24	353308	3	NUT, M6 x 1, CI 8,
25	330024	2	CLAMP,
26	360858	2	GUARD,
27	434103	AR	PLATE,
28	43117	AR	BOLT, Hex, M6 x 30, 8.8,
29	9706685	8	NUT, M12, CI 8,
30	140046	8	WASHER, Belleville, M12,
31	86000441	2	NUT, M16 x 2, CI 8,
32	84334903	1	ARM, , FOR 30FT ONLY, FOR HIGH-CAPACITY ONLY
32	84334944	1	ARM, , FOR HIGH-CAPACITY ONLY, FOR 17 TO 24FT ONLY
32	84448306	1	ARM, , FOR EXTRA-CAPACITY ONLY
33	9706687	4	SCREW, Hex, M12 x 30, 8.8,
34	334682	2	BOLT, CARRIAGE, Short NK, M12 x 50, CI8.8, Full Thd,
35	328754	2	BOLT, CARRIAGE, Short NK, M12 x 40, CI8.8, Full Thd,

## HIGH-CAPACITY GRAIN HEADER (1/02- )

## 20.32(01) REEL SUPPORTS AND HYDRAULIC VERTICAL ADJUSTMENT, FOR 17 FT TO 30 FT ONLY

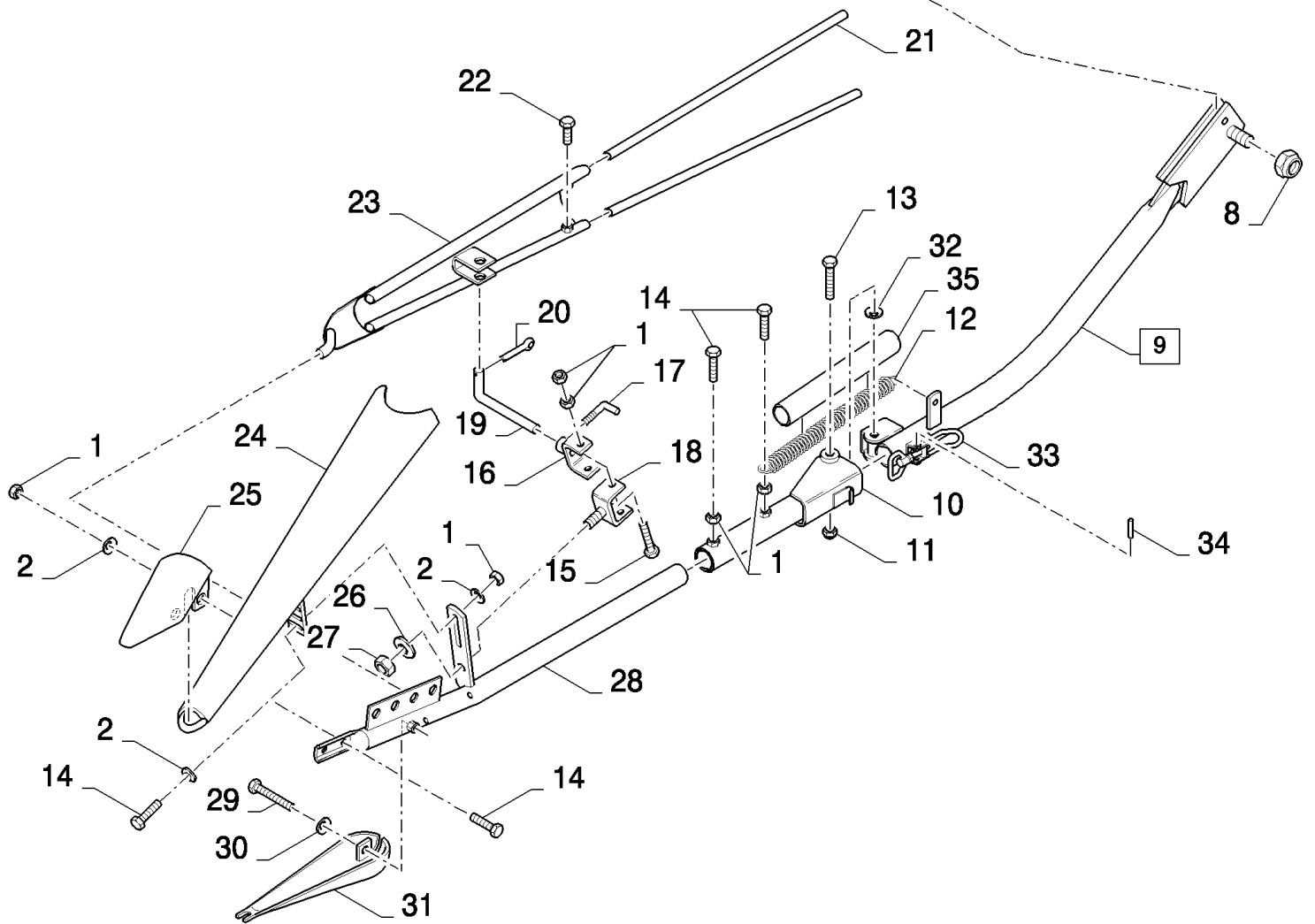
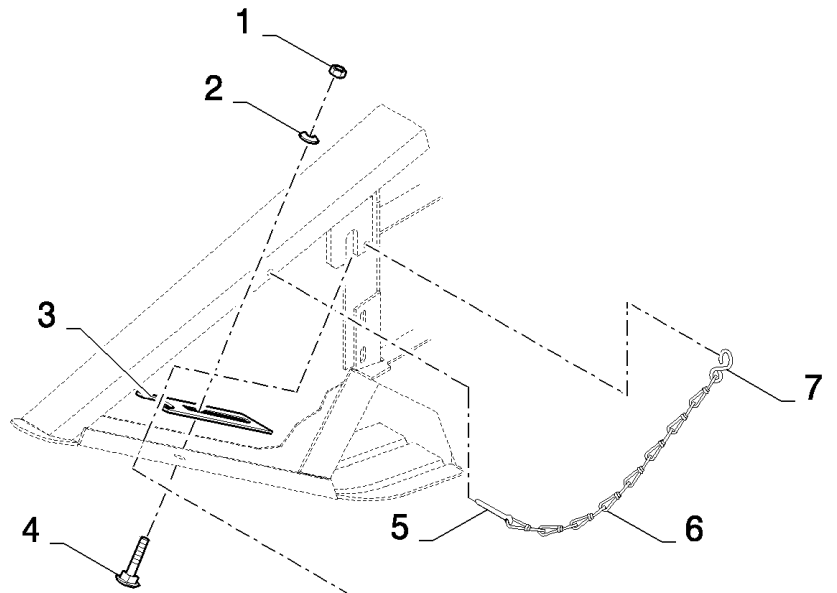
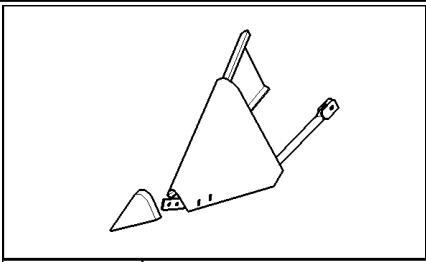
сылка	Номер детали	Кол-во	Описание
36	84014644	1	CONNECTOR, HYD., , FOR 30FT ONLY
37	84043754	1	ORIFICE, , FOR 30FT ONLY
38	386215	1	CONNECTOR, HYD., , FOR 30FT ONLY
39	430356	AR	CLAMP,
40	84814948	AR	SUPPORT,
41	84058302	1	HYDRAULIC CYLINDER, (42), FOR HIGH-CAPACITY ONLY, BSN C619
41	84814268	1	HYDRAULIC CYLINDER, (42), FOR HIGH-CAPACITY ONLY, ASN D620
41	84447916	1	HYDRAULIC CYLINDER, (42), FOR EXTRA-CAPACITY ONLY
42	84023914	1	KIT, SEALS,
43	418283	1	ELBOW,
44	350657	1	VALVE, RESTRICTOR, , FOR 17 TO 24FT ONLY
45	84435543	2	PLATE,
46	NS	AR	NOT SERVICED, PIPE, D=16MM, FOR EXTRA-CAPACITY ONLY, SEE FIGURE 20.99
47	84439699	1	BRACKET, , FOR EXTRA-CAPACITY ONLY
48	84011664	AR	CLAMP, , FOR EXTRA-CAPACITY ONLY



## HIGH-CAPACITY GRAIN HEADER (1/02- )

## 20.33(01) REEL SUPPORTS AND HYDRAULIC VERTICAL ADJUSTMENT, FOR 12 FT TO 15 FT ONLY

сылка	Номер детали	Кол-во	Описание
1	84435543	3	PLATE,
2	84435595	1	ARM, , FOR 12FT ONLY
2	84435594	1	ARM, , FOR 13FT ONLY
2	84435593	1	ARM, , FOR 15FT ONLY
3	120092	2	SCREW, Hex, M16 x 70, 8.8,
4	86000441	2	NUT, M16 x 2, CI 8,
5	80447598	2	BOLT, BANJO,
6	100095	2	NUT, Thin, M16 x 2, CI 04,
7	84435484	2	HYDRAULIC CYLINDER, (8), BSN C619
7	84440632	2	HYDRAULIC CYLINDER, (8), ASN D620
8	84026216	2	KIT, SEALS,
9	386215	2	CONNECTOR, HYD.,
10	NS	AR	NOT SERVICED, PIPE, D=8MM, SEE FIGURE 20.99
11	84068808	2	DECAL,
12	84042283	2	BRACKET,
13	15896221	16	NUT, M6, CI 10,
14	378244	6	WASHER, M10,
15	335172	1	CONNECTOR, HYD.,
16	100037	2	NUT, M10 x 1.5, CI 8,
17	120074	2	BOLT, Hex, M10 x 90, 8.8,
18	120102	5	SCREW, Hex, M6 x 40, 8.8, Full Thd,
19	326307	2	SPRING,
20	370024	2	RING, SNAP, M20, Ext,
21	140021	4	WASHER, M20 x 37 x 3,
22	9514196	2	PIN,
23	379430	1	CONNECTION, 3 WAY,
24	365947	1	ORIFICE,
25	86566989	3	STRAP, CABLE,
26	441584	3	SEAL,
27	353308	3	NUT, M6 x 1, CI 8,
28	330024	2	CLAMP,
29	360858	2	GUARD,
30	434103	2	PLATE,
31	43117	2	BOLT, Hex, M6 x 30, 8.8,
32	328754	2	BOLT, CARRIAGE, Short NK, M12 x 40, CI8.8, Full Thd,
33	334682	2	BOLT, CARRIAGE, Short NK, M12 x 50, CI8.8, Full Thd,
34	9706687	4	SCREW, Hex, M12 x 30, 8.8,
35	140046	8	WASHER, Belleville, M12,
36	9706685	8	NUT, M12, CI 8,
37	430356	2	CLAMP,
38	431942	1	SUPPORT, Hex Hd, #10-32 x 1/2",



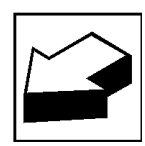
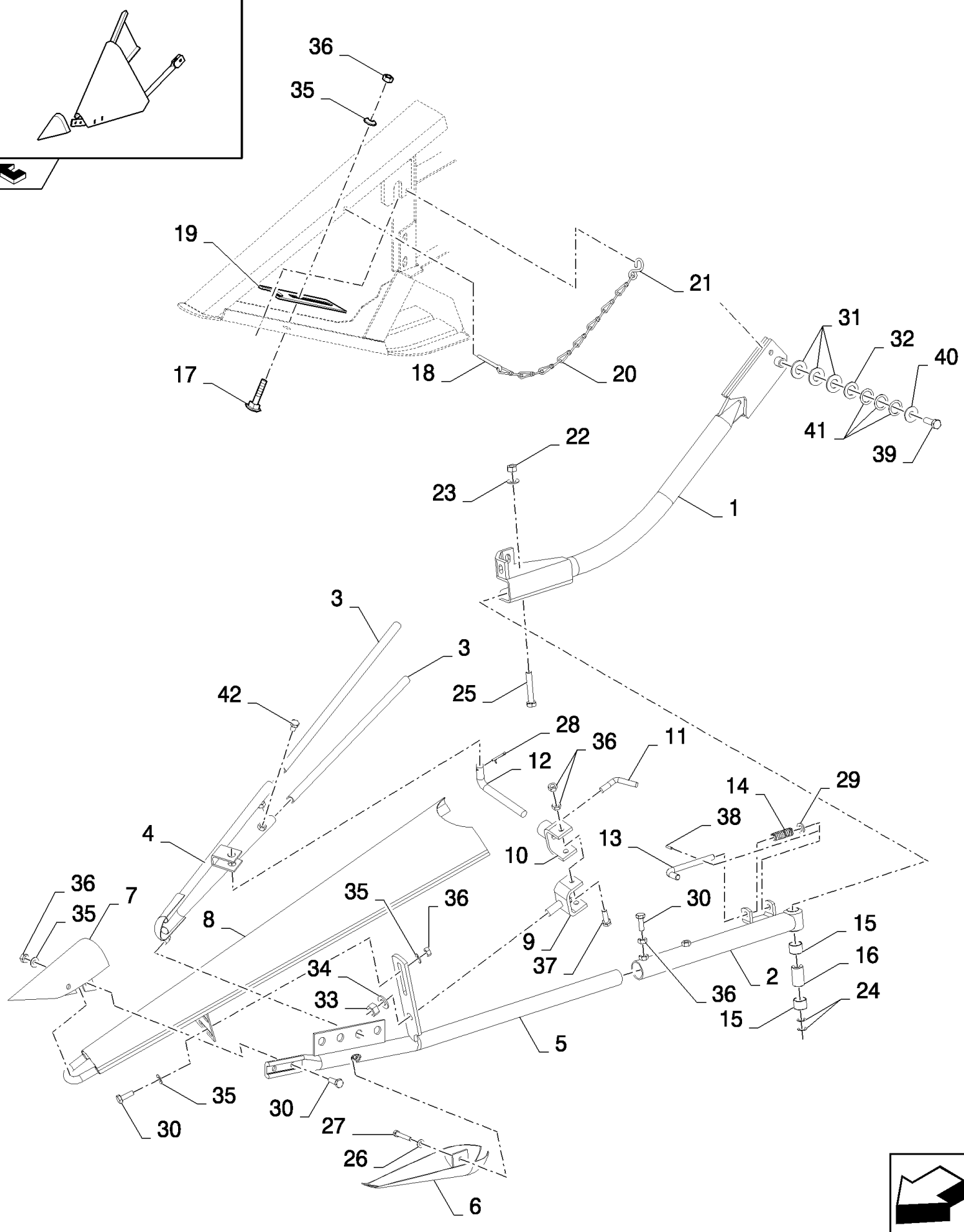
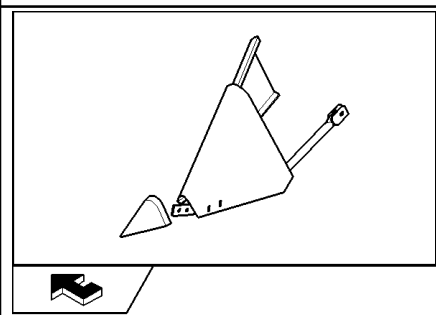
## HIGH-CAPACITY GRAIN HEADER (1/02- )

## 20.34(01) ADJUSTABLE DIVIDERS - C835

сылка	Номер детали	Кол-во	Описание
1	100016	22	NUT, M10, CI 8,
2	140045	14	WASHER, SPRING, Belleville, M10,
3	916898	2	PLATE, ADJUSTING,
4	86512446	2	BOLT, CARRIAGE, Short NK, M10 x 30, CI8.8, Full Thd,
5	130007	2	PIN, SPLIT (COTTER), M4 x 25,
6	230109	2	CHAIN,
7	323239	2	HOOK,
8	9672396	2	NUT, LOCK, M20
9	84334090	1	TUBE, LH (33)
9	84334091	1	TUBE, RH (33)
10	84334094	1	TUBE, LH
10	84334093	1	TUBE, RH
11	100038	2	NUT, M12 x 1.75, CI 8,
12	180039	2	SPRING,
13	86508581	2	BOLT, Hex, M12 x 90, 8.8,
14	43140	12	BOLT, Hex, M10 x 30, 8.8, Full Thd,
15	9706704	4	BOLT, Hex, M10 x 35, 8.8, Full Thd,
16	338927	2	SUPPORT,
17	331887	2	HANDLE, LOCKING,
18	482917	2	HINGE,
19	338939	2	ROD, ADJUSTMENT,
20	412685	2	PIN, SPLIT (COTTER), M4 x 32,
21	332224	4	EXTENSION,
22	300383	4	BOLT, Hex, M10 x 16, 8.8, Full Thd,
23	338937	2	DEFLECTOR,
24	338923	2	DIVIDER,
25	338925	2	DIVIDER POINT,
26	140048	2	WASHER, SPRING, Belleville, M16,
27	100020	2	NUT, M16, CI 8,
28	338929	1	TUBE, RIGID, LH
28	338928	1	TUBE, RIGID, RH
29	43130	2	BOLT, Hex, M8 x 50, 8.8,
30	322358	2	WASHER, SPRING, Belleville, M8,
31	338948	2	DIVIDER POINT,
32	140018	2	WASHER, M12 x 24 x 2.5,
33	84043033	2	CLAMP, M8
33	84441574	2	CLAMP, M10
34	9832679	2	PIN, SPLIT (COTTER),
35	84455624	2	TUBE, PLASTIC-RUBBER,

HIGH-CAPACITY GRAIN HEADER (1/02- )

20.34(02) ADJUSTABLE DIVIDERS - D836

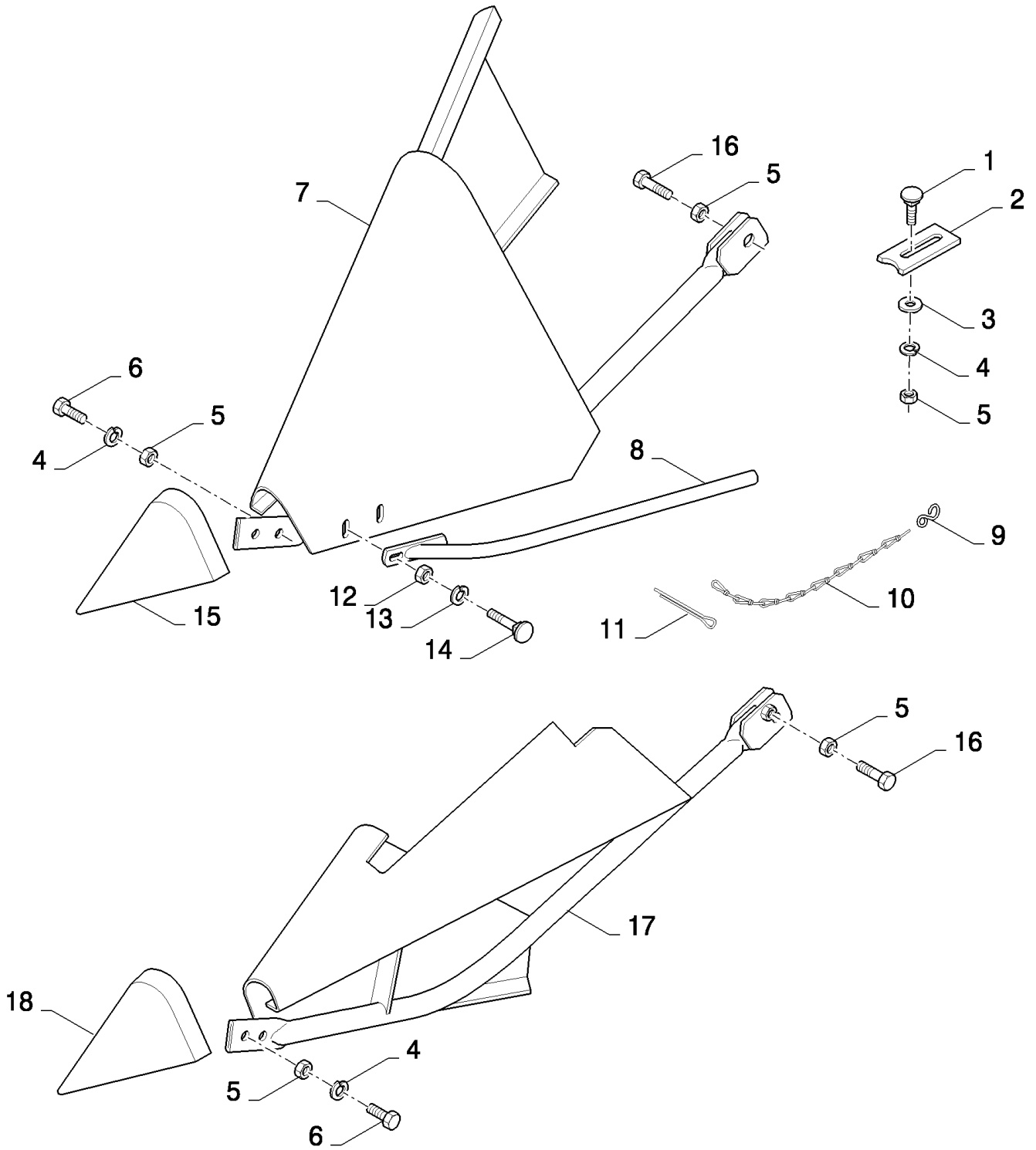
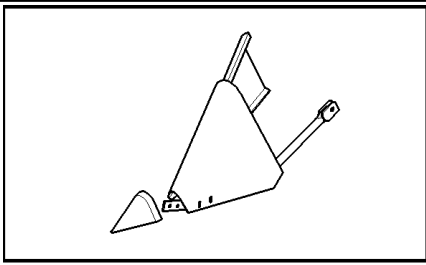


## HIGH-CAPACITY GRAIN HEADER (1/02- )

## 20.34(02) ADJUSTABLE DIVIDERS - D836

сылка	Номер детали	Кол-во	Описание
1	84456182	1	TUBE, RH
1	84456175	1	TUBE, LH
2	84456178	2	TUBE,
3	332224	4	EXTENSION,
4	338937	2	DEFLECTOR,
5	338928	1	TUBE, RIGID, RH
5	338929	1	TUBE, RIGID, LH
6	338948	2	DIVIDER POINT,
7	338925	2	DIVIDER POINT,
8	338923	2	DIVIDER,
9	482917	2	HINGE,
10	338927	2	SUPPORT,
11	331887	2	HANDLE, LOCKING,
12	338939	2	ROD, ADJUSTMENT,
13	84456187	2	PIN,
14	918027	2	SPRING,
15	84057311	4	SLEEVE,
16	87344389	2	BUSHING,
17	86512446	2	BOLT, CARRIAGE, Short NK, M10 x 30, CI8.8, Full Thd,
18	130007	2	PIN, SPLIT (COTTER), M4 x 25,
19	916898	2	PLATE, ADJUSTING,
20	230109	2	CHAIN,
21	323239	2	HOOK,
22	9706685	2	NUT, M12, CI 8,
23	140046	2	WASHER, Belleville, M12,
24	432651	4	WASHER,
25	9706717	2	BOLT, Hex, M12 x 70, 8.8, Full Thd,
26	322358	2	WASHER, SPRING, Belleville, M8,
27	43130	2	BOLT, Hex, M8 x 50, 8.8,
28	412685	2	PIN, SPLIT (COTTER), M4 x 32,
29	140018	2	WASHER, M12 x 24 x 2.5,
30	43140	12	BOLT, Hex, M10 x 30, 8.8, Full Thd,
31	322359	6	WASHER, SPRING, Belleville, M20,
32	140021	2	WASHER, M20 x 37 x 3,
33	100020	2	NUT, M16, CI 8,
34	140048	2	WASHER, SPRING, Belleville, M16,
35	140045	14	WASHER, SPRING, Belleville, M10,
36	100016	22	NUT, M10, CI 8,
37	9706704	4	BOLT, Hex, M10 x 35, 8.8, Full Thd,
38	84818468	2	PIN, SPLIT (COTTER),
39	300389	2	BOLT, Hex, M12 x 35, 8.8, Full Thd,
40	84437225	2	WASHER,
41	419854	6	WASHER,
42	300383	4	BOLT, Hex, M10 x 16, 8.8, Full Thd,

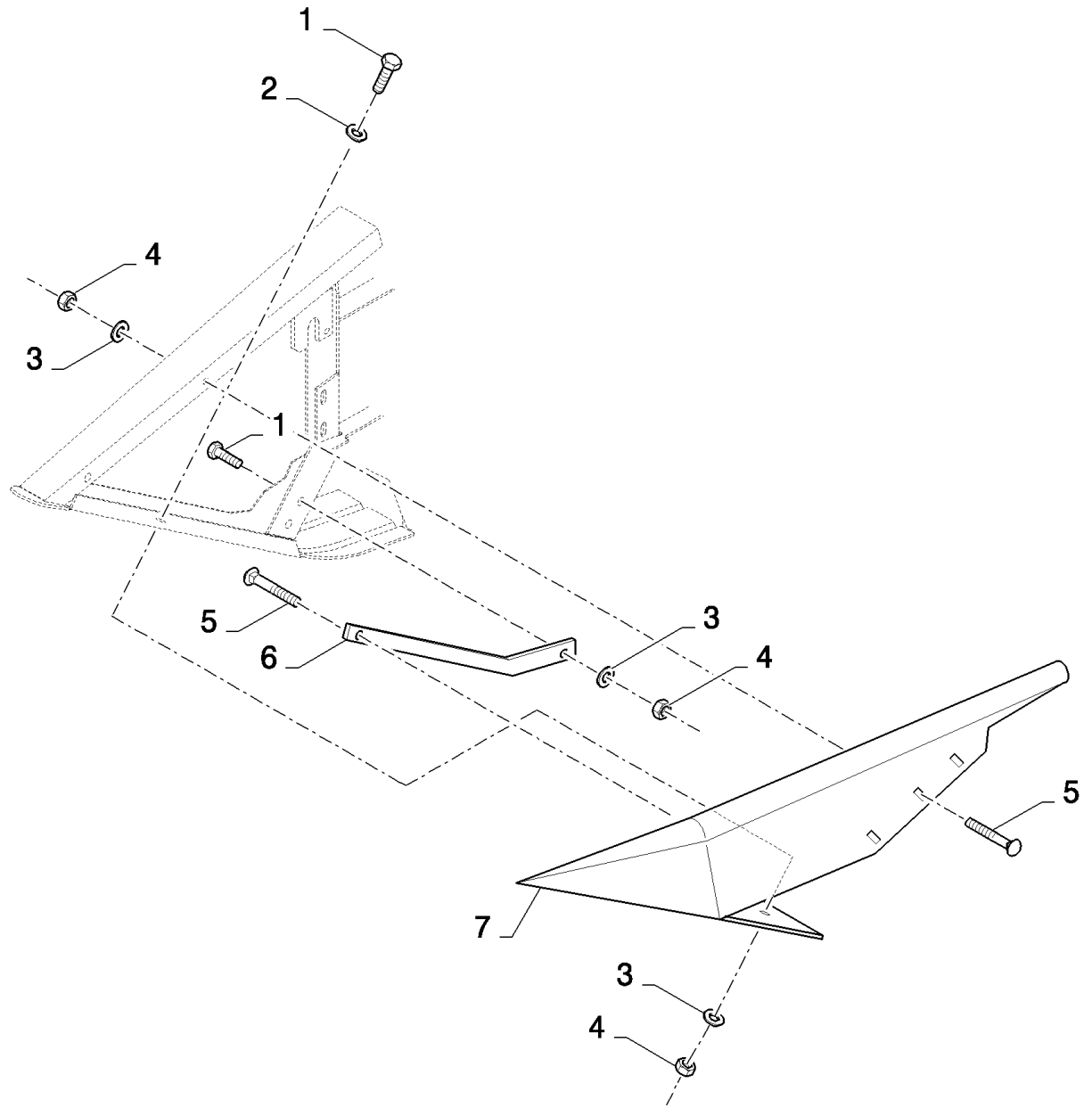
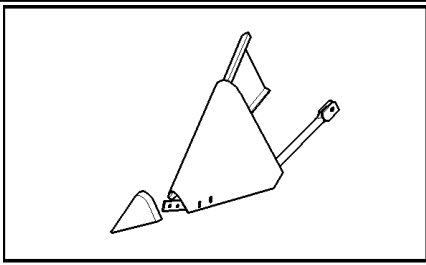
20.35(01) SHORT DIVIDERS



## HIGH-CAPACITY GRAIN HEADER (1/02- )

## 20.35(01) SHORT DIVIDERS

сылка	Номер детали	Кол-во	Описание
1	338949	2	BOLT, CARRIAGE, Short NK, M10 x 25, CI8.8, Full Thd,
2	916898	2	PLATE, ADJUSTING,
3	140042	2	WASHER, M10 x 34 x 3,
4	140045	6	WASHER, SPRING, Belleville, M10,
5	100016	8	NUT, M10, CI 8,
6	11106231	4	BOLT, Hex, M10 x 25, 10.9, Full Thd,
7	922441	1	DIVIDER, RH
8	356755	1	GUIDE,
9	323239	2	HOOK,
10	230109	2	CHAIN,
11	130007	2	PIN, SPLIT (COTTER), M4 x 25,
12	89706690	2	NUT, M8, CI 8,
13	322358	2	WASHER, SPRING, Belleville, M8,
14	308761	2	BOLT, CARRIAGE, Short NK, M8 x 25, CI8.8, Full Thd,
15	331975	1	DIVIDER POINT, RH
16	43140	4	BOLT, Hex, M10 x 30, 8.8, Full Thd,
17	922440	1	DIVIDER, LH
18	335586	1	DIVIDER POINT, LH



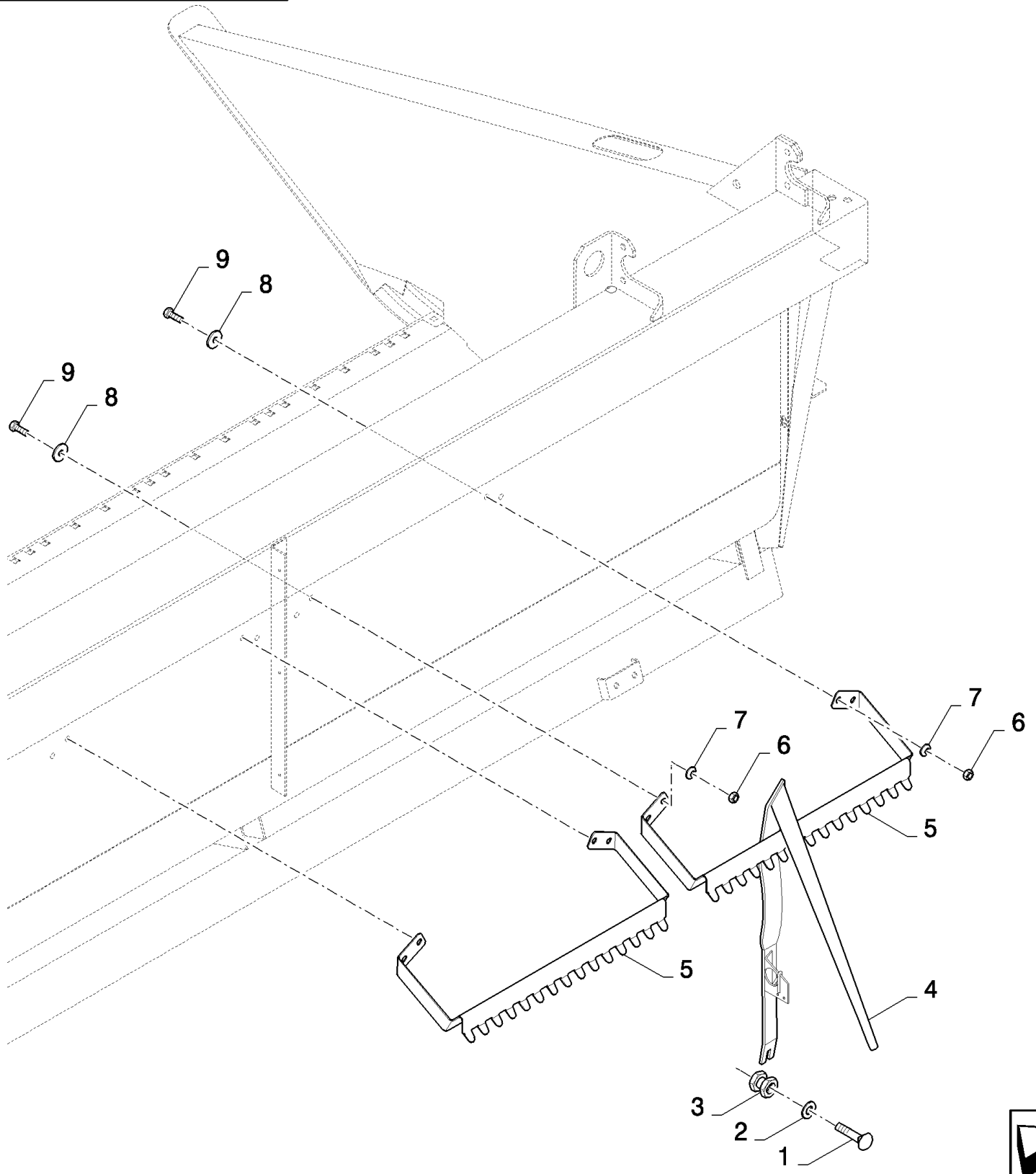
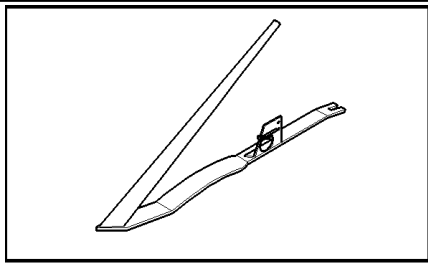
## HIGH-CAPACITY GRAIN HEADER (1/02- )

## 20.36(01) SHORT DIVIDERS, FIXED

сылка	Номер детали	Кол-во	Описание
1	120104	5	SCREW, Hex, M8 x 20, 8.8,
2	378243	4	WASHER, M8,
3	322358	12	WASHER, SPRING, Belleville, M8,
4	89706690	12	NUT, M8, CI 8,
5	86507486	7	BOLT, CARRIAGE, Short NK, M8 x 20, CI8.8, Full Thd,
6	84989111	1	GUIDE,
7	84037592	1	DIVIDER POINT, LH
7	84037593	1	DIVIDER POINT, RH

HIGH-CAPACITY GRAIN HEADER (1/02- )

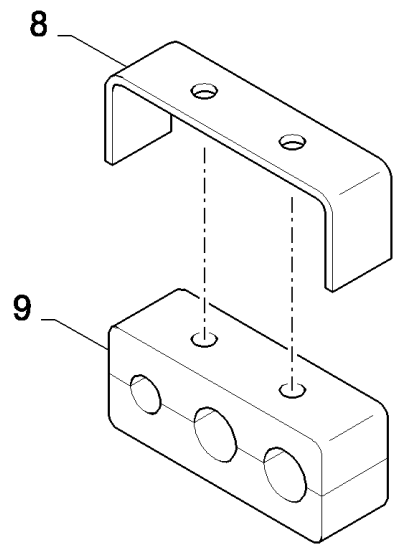
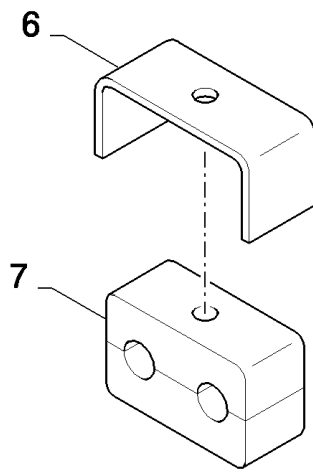
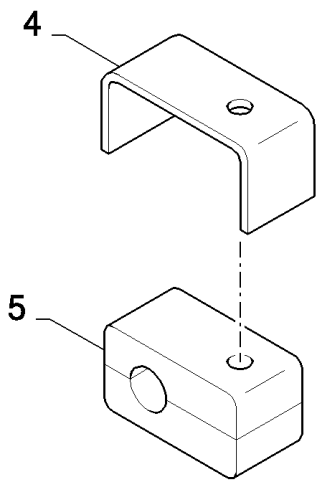
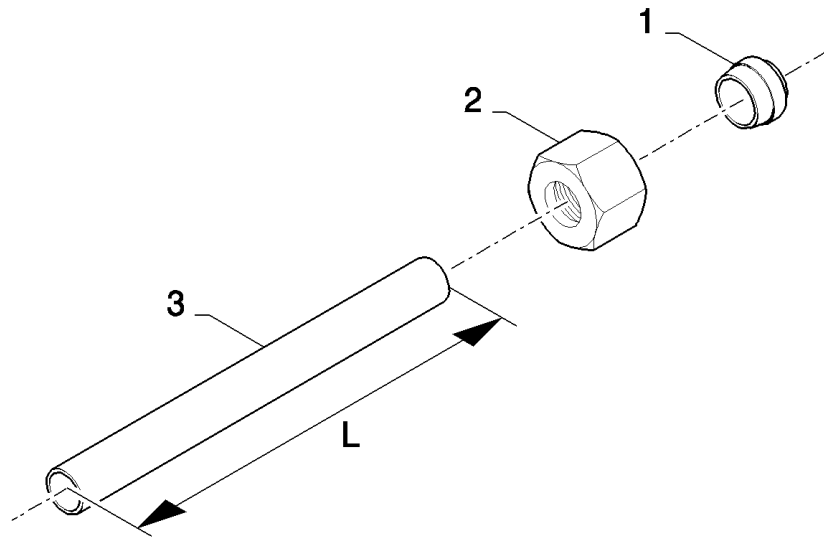
20.38(01) CROP LIFTER



## HIGH-CAPACITY GRAIN HEADER (1/02- )

## 20.38(01) CROP LIFTER

сылка	Номер детали	Кол-во	Описание
1	374892	1	BOLT, CARRIAGE, Short NK, M10 x 40, CI8.8, Full Thd,
2	140045	1	WASHER, SPRING, Belleville, M10,
3	89514326	1	NUT,
4	89815614	1	CROP LIFTER,
5	84437894	1	SUPPORT,
6	100016	4	NUT, M10, CI 8,
7	140045	4	WASHER, SPRING, Belleville, M10,
8	140042	4	WASHER, M10 x 34 x 3,
9	43138	4	SCREW, Hex, M10 x 20, 8.8, Full Thd,



## HIGH-CAPACITY GRAIN HEADER (1/02- )

## 20.99(01) TUBE CLAMPS AND HYDRAULIC TUBES

сылка	Номер детали	Кол-во	Описание
1	335136	AR	FERRULE, DIA.:8MM
1	150014	AR	FERRULE, DIA.:10MM
1	150015	AR	FERRULE, DIA.:12MM
1	335169	AR	FERRULE, DIA.:16MM
1	335168	AR	FERRULE, DIA.:18MM
1	412528	AR	FERRULE, DIA.:28MM
2	335135	AR	NUT, DIA.:8MM
2	86548975	AR	NUT, DIA.:10MM
2	86548976	AR	NUT, DIA.:12MM
2	335171	AR	NUT, DIA.:16MM
2	335170	AR	NUT, DIA.:18MM
2	412527	AR	NUT, DIA.:28MM
3	371540	AR	TUBE, RIGID, DIA.:8MM,L:2M
3	371539	AR	TUBE, RIGID, DIA.:10MM,L:2M
3	9513719	AR	TUBE, RIGID, DIA.:12MM,L:2M
3	371536	AR	TUBE, RIGID, DIA.:16MM,L:2M
3	371534	AR	TUBE, RIGID, DIA.:18MM,L:2M
3	9811333	AR	TUBE, RIGID, DIA.:28MM,L:2M
3	75931	AR	TUBE, RIGID, DIA.:3/8",L:48"
3	75932	AR	TUBE, RIGID, DIA.:1/2",L:48"
3	75933	AR	TUBE, RIGID, DIA.:5/8",L:48"
3	75934	AR	TUBE, RIGID, DIA.:3/4",L:48"
4	433101	AR	SUPPORT, 8-10MM
4	442340	AR	SUPPORT, 12MM
4	433100	AR	SUPPORT, 16MM-3/4"
4	743318	AR	SUPPORT, 28MM
5	433008	AR	CLAMP, 8-12MM
5	433007	AR	CLAMP, 16MM-3/4"
5	457546	AR	CLAMP, 28MM
6	431941	AR	SUPPORT, 8-12MM
6	431942	AR	SUPPORT, Hex Hd, #10-32 x 1/2", 16MM-3/4"
6	743320	AR	SUPPORT, 28MM
7	430357	AR	CLAMP, 8-12MM
7	430356	AR	CLAMP, 16MM-3/4"
7	457547	AR	CLAMP, 28MM
8	455534	AR	SUPPORT,
9	455533	AR	CLAMP,

