

ART

NOT

AVAILABLE

DLR STOCK MANDATORY STOCKING LIST

сылка	Номер детали	Кол-во	Описание
87414866		1	RELAY,
121410A1		5	FUSE, 5 Amp
121411A1		5	FUSE, 7.5 Amp
121412A1		5	FUSE, 10 Amp
121413A1		5	FUSE, 15 Amp
121414A1		5	FUSE, 20 Amp
121415A1		5	FUSE, 25 Amp
121416A1		5	FUSE, 30 Amp
325289A1		1	BELT, Water Pump, T9060
87366407		1	BELT, Accessory Drive, Alternator & A/C, T9060
87282333		1	BELT, Accessory Drive, Alternator, A/C & Water Pump, T9050, T9030 / 9040
355341A1		1	SWITCH, Clutch
87357396		1	VALVE, SOLENOID, Pulse With Modulation
87443710		1	FILTER, AIR, Primary
87443713		1	FILTER, AIR, Secondary
368459A1		2	RELAY, 70 Amp
370632A1		1	TUBE,
371739A1		2	COIL, Solenoid
86989735		2	FILTER, HYDRAULIC OIL, Transmission & Axle Lubrication
375512A1		2	O-RING,
375514A1		2	SEAL, OIL, PTO
375553A1		2	GASKET,
87408613		1	FILTER, CAB, Recirculated Air
417927A1		1	SWITCH, Plunger, T9030 / 9040
427581A1		1	GASKET, Master Clutch, T9030 / 9040
428676A1		2	O-RING, Filter
87408714		2	FILTER, Conical
86018758		1	FILTER, HYDRAULIC OIL, Main Hydraulic (Below Battery)
504082382		2	FILTER, ENGINE OIL, , T9030 / 9040
441700A1		1	FILTER, Engine Oil, T9060
87395356		1	FILTER, FUEL, , T9060
504082384		1	FILTER, ELEMENT, Fuel, T9050
441702A1		1	FILTER, COOLANT, , T9060
A186004		1	SENSOR, Engine RPM
B505572		72	OIL, HYDRAULIC, 5 Gal

ART

NOT

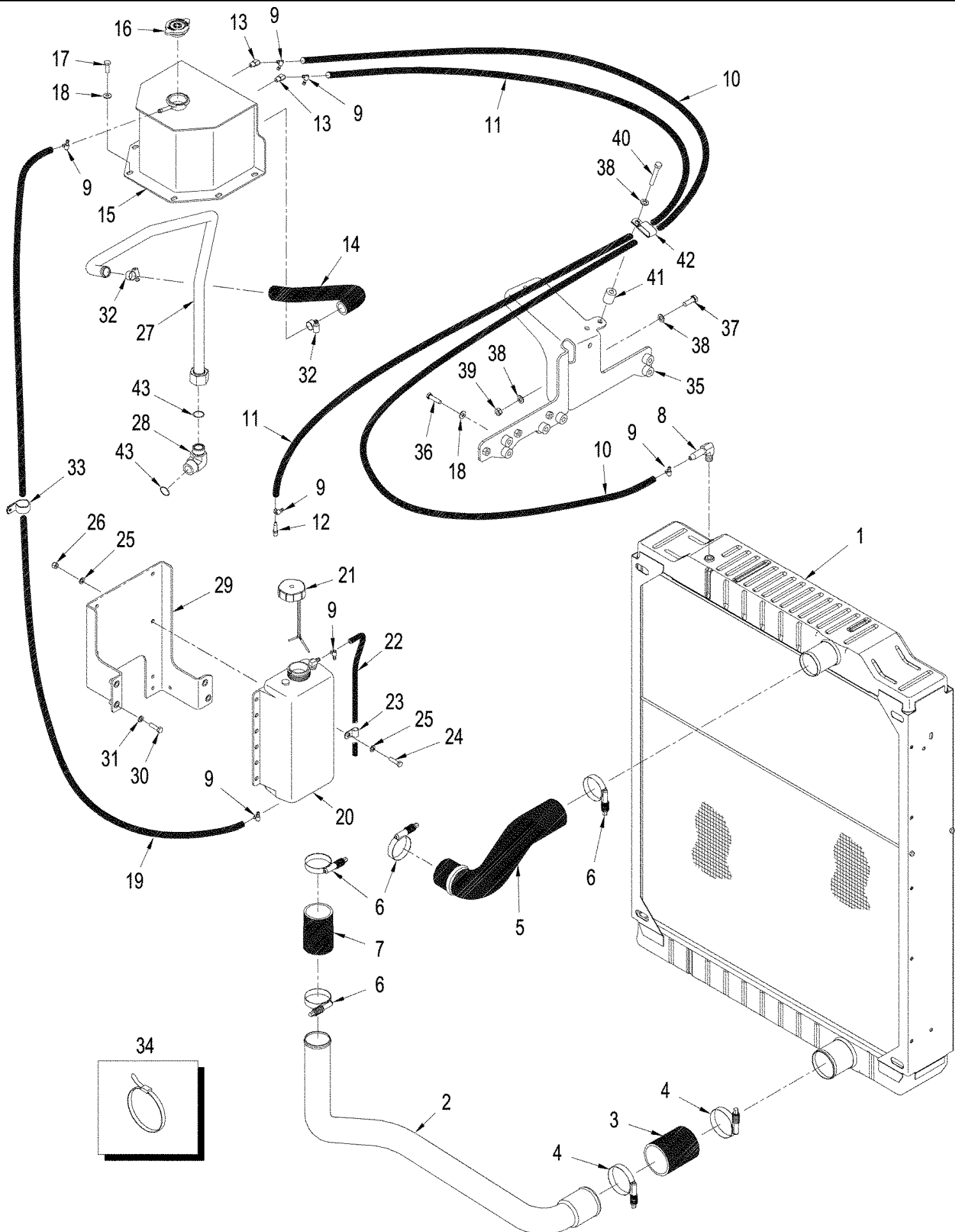
AVAILABLE

DLR STOCK RECOMMENDED STOCKING LIST

сылка	Номер детали	Кол-во	Описание
	43263	8	BOLT, Hex, M12 x 60, 10.9,
	392530	6	NUT, M16, CI 10,
	9843612	2	BOLT, Hex, M20 x 100, 10.9,
	9846950	8	BOLT, Hex, M20 x 90, 10.9,
	14458081	2	O-RING, -122, CI 7, 1.112" ID x .103" Thk,
	86624983	6	BOLT, Hex, M16 x 110, 10.9,
	86625266	12	WASHER, M17.5 x 30 x 4, HT,
	86637742	4	O-RING, -246, 70 Duro, 4.484" ID x .139" Thk,
	86639034	4	BOLT, Hex, M16 x 320, 10.9, Full Thd,
	86639145	2	BOLT, Hex, M20 x 130, 10.9,
	827-22080	10	BOLT, Hex, M22 x 80, 10.9, Full Thd,
	86639171	10	BOLT, Hex, M22 x 130, 10.9,
	86639318	10	WASHER,
	86639325	2	WASHER, M10 x 24.5 x 3, HT,
	177250A1	1	SWITCH, LIGHTS,
	228273A1	6	BOLT, M20 x 110, CL 10.9, Hub
	235676A1	1	CONNECTOR,
	239942A3	1	SEAL, Axle
	256305A2	1	POTENTIOMETER, Draft Control
	259012A1	1	POTENTIOMETER,
	86994156	2	FILTER, AIR, A/C
	87432424	1	SEAL, Axle
	279266A1	1	SWITCH,
	87350494	1	MIRROR ASSY., Manual
	87363066	1	MIRROR, Electric
	A177462	1	MIRROR, Interior
	87340760	1	HOSE ASSY.,
	87407241	1	TUBE, Lower Radiator, T9050, T9030 / 9040
	87377597	1	TUBE, Lower Radiator, T9060
	363226A1	1	BUMPER, Door
	87393112	1	SENSOR, Fuel
	371737A1	2	VALVE, SOLENOID,
	371738A1	2	KIT, O-Ring
	375720A1	1	PIN, Drawbar, Cat. 4, 2"
	376530A1	2	SUPPORT, Step
	87522067	1	PIN, LOCK, Quick Release
	87454949	1	UNIT, Armrest Controller
	404450A1	2	SENSOR, Trans.
	87385925	1	BEARING, Pillow Block
	87406903	2	COLLAR CLAMP,
	418506A1	1	SWITCH, Park Brake
	427514A1	2	SEAL, OIL,
	427524A1	2	BREATHER,
	428156A1	1	PLUG,
	428159A1	2	SEAL, OIL,

DLR STOCK RECOMMENDED STOCKING LIST

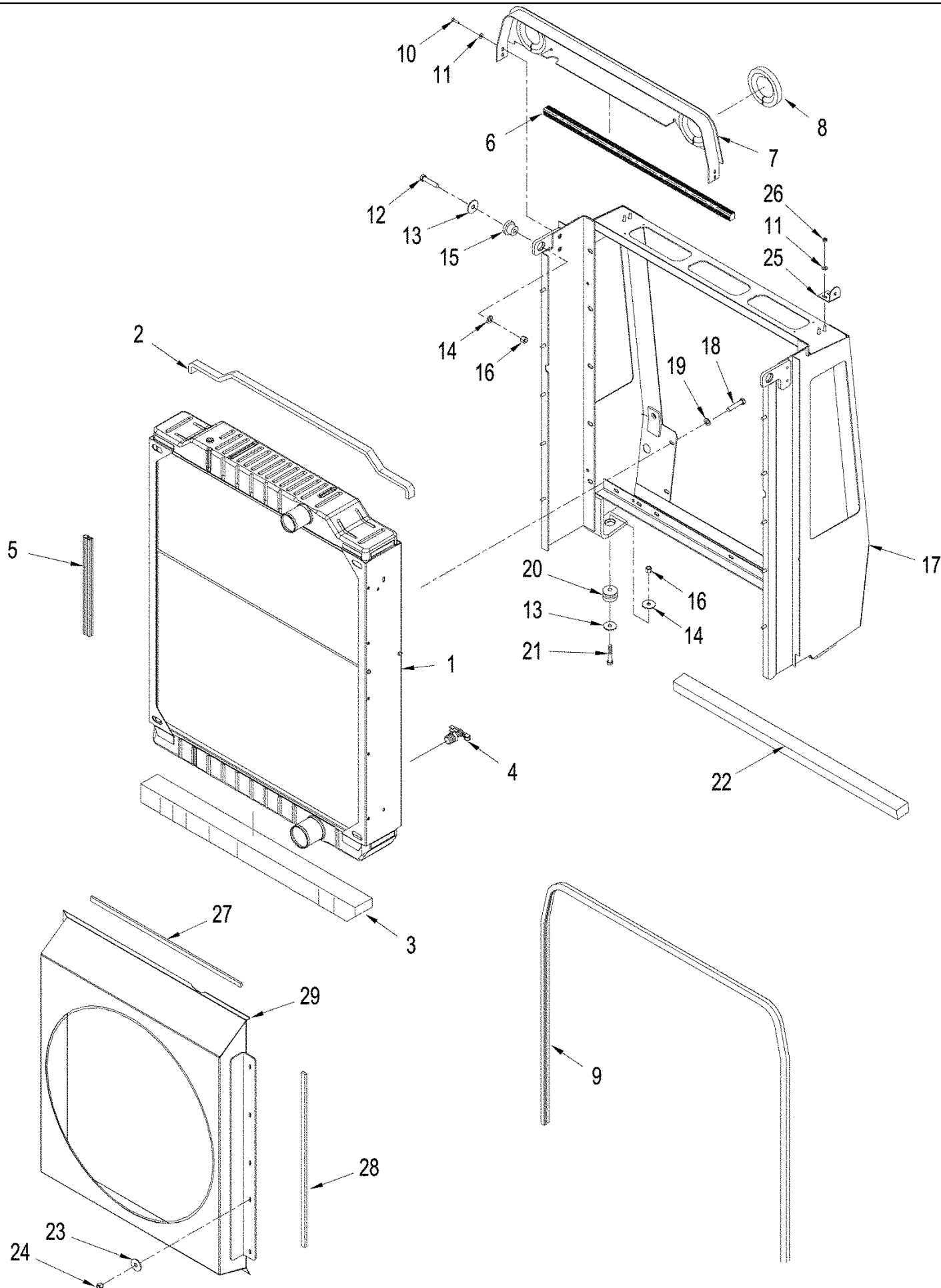
сылка	Номер детали	Кол-во	Описание
428165A1		2	O-RING,
86000308		1	KIT, Spider Bearing, 8C
435439A1		2	MOUNT, RUBBER,
92269C1		2	LAMP, WORK,
87555106		1	CAP FUEL, LOCKABLE, Fuel
L115548		2	CLAMP,
L115549		2	CLAMP, , T9030 / 9040, T9050
S8820S00F		2	SEAL, OIL,
86989735		2	FILTER, HYDRAULIC OIL, Transmission & Axle Lubrication



T9040 4WD TRACTOR, ASN (8/07-) - Engine

02-01 RADIATOR AND HOSES, T9030 / 9040 & T9050

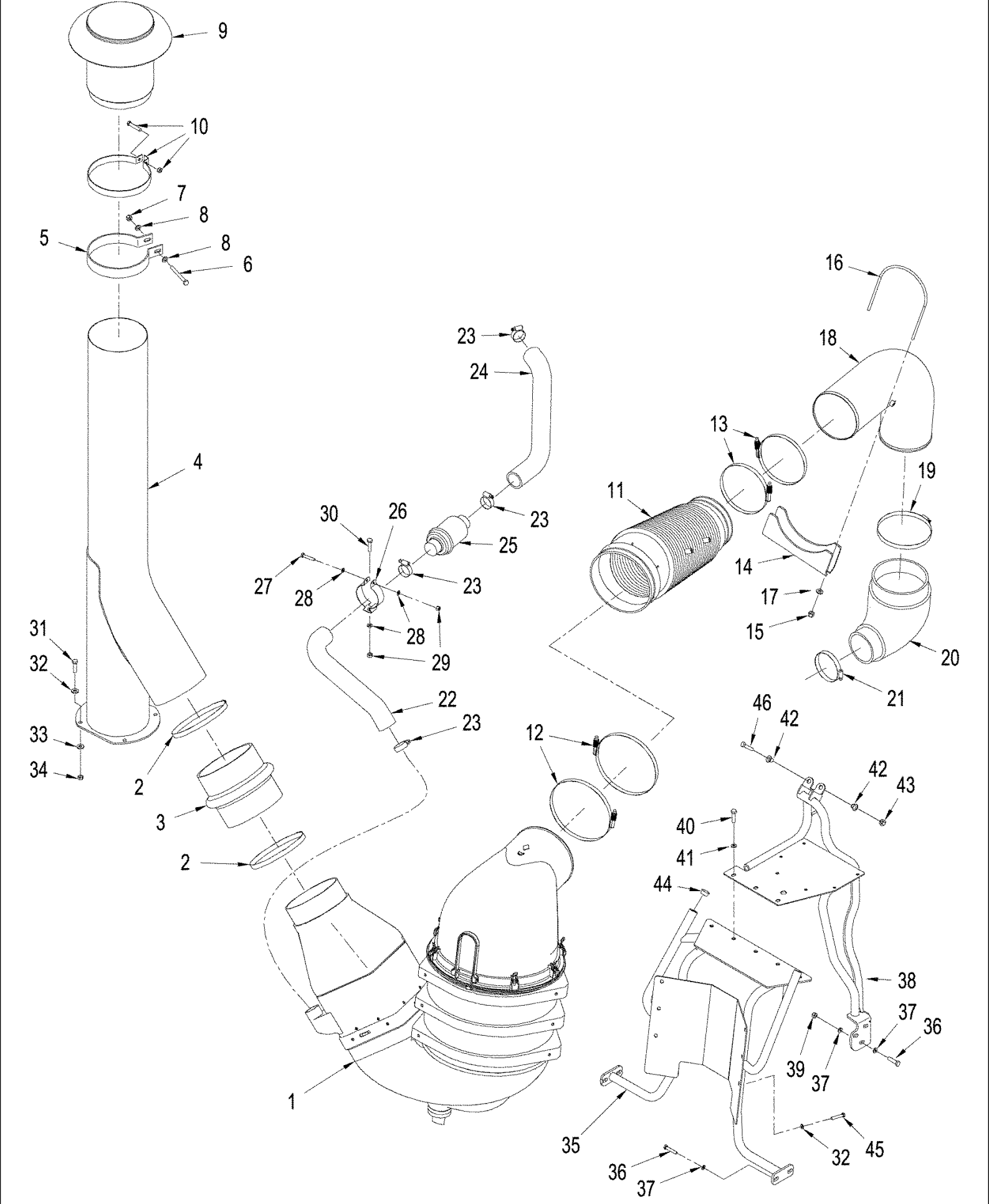
сылка	Номер детали	Кол-во	Описание
1	87416960	1	RADIATOR,
2	87407241	1	TUBE, Lower Radiator
3	87407250	1	HOSE, Connector, Lower Radiator, 135 mm (5-3/16")
4	L115549	2	CLAMP, Hose
5	87407233	1	HOSE, Upper Radiator
6	L115548	4	CLAMP, Hose
7	87407248	1	HOSE, Connector, Lower Radiator, 125 mm (5")
8	86637719	1	FITTING, 90°, 1/4" Hose x 1/8" NPTF, Barbed,
9	82039341	6	CLAMP, HOSE,
10	87445564	1	HOSE, Dearation Tank to Radiator, 1330 mm (15-3/8")
11	87521350	1	HOSE, Dearation Tank to Engine Vent, 1162 mm (45-3/4")
12	86624128	1	FITTING, 1/4" Hose x 1/8" NPTF, Barbed,
13	86625232	2	FITTING, 45°, 1/4" Hose x 1/8" NPTF, Barbed,
14	87445129	1	HOSE, Engine Coolant Fill
15	87384580	1	TANK, Dearation
16	A170241	1	CAP, RADIATOR, 103 kpa
17	43234	6	BOLT, Hex, M8 x 25, 10.9,
18	86625263	7	WASHER, M8 x 20 x 1.6,
19	435458A1	1	HOSE, Dearation Tank to Coolant Recovery Bottle
20	87324174	1	BOTTLE, Coolant Recovery
21	238903A1	1	CAP, FILLER,
22	435460A1	1	HOSE, Overflow
23	86010402	1	CLAMP, 1/2", Insul, 3/8" Bolt,
24	43235	4	BOLT, Hex, M8 x 30, 10.9,
25	86624184	9	WASHER, M8 x 16 x 1.6,
26	412250	4	NUT, LOCK, M8 x 1.25, CI 8,
27	87445127	1	TUBE, Fill, Engine Coolant
28	86984443	1	FITTING,
29	87362758	1	BRACKET, Mounting, Coolant Recovery Bottle
30	86508618	4	BOLT, Hex, M10 x 45, 10.9,
31	86625253	4	WASHER, M11 x 24 x 2,
32	507586	2	CLAMP, HOSE, #20, 0.81/1.75 Type F Worm,
33	257492	3	CLAMP, 9/16", Insul, 3/8" Bolt,
34	435421A1	2	STRAP, SECURING,
35	87311244	1	BRACKET, SUPPORTING, Air Intake Tube
36	86639209	6	BOLT, Hex, M8 x 35, 10.9,
37	9515003	2	BOLT, Hex, M10 x 30, 10.9, Full Thd,
38	86624176	7	WASHER, M10 x 20 x 2,
39	86500689	2	NUT, M10, CI 10,
40	86508619	1	BOLT, Hex, M10 x 60, 10.9,
41	87304771	1	SPACER,
42	L19029	2	CLAMP, Double



T9040 4WD TRACTOR, ASN (8/07-) - Engine

02-04 RADIATOR MOUNTING AND SHROUD, T9030 / 9040 & T9050

сылка	Номер детали	Кол-во	Описание
1	87416960	1	RADIATOR, Engine Coolant
2	87438150	1	SEAL, Foam, Upper Radiator
3	434023A1	1	SEAL, Lower Radiator
4	H434809	1	COCK, DRAIN,
5	320990A1	2	SEAL, LH & RH Radiator Frame
6	320126A1	1	SEAL, Upper Radiator Frame
7	87408084	1	SEAL, Upper Radiator Frame
8	328196A1	2	SEAL, Circular, Upper Radiator Frame
9	318842A1	1	SEAL, Upper Radiator Frame
10	627-8030	4	BOLT, Hex, M8 x 30, 10.9,
11	86625263	10	WASHER, M8 x 20 x 1.6,
12	43263	2	BOLT, Hex, M12 x 60, 10.9,
13	86625255	4	WASHER, M13.5 x 24.5 x 3, HT,
14	435433A1	4	WASHER, 13.5 x 44.5 x 3mm
15	L13142	2	BUSHING, Engine Mount
16	412126	4	NUT, LOCK, M12 x 1.75, CI 8,
17	446410A1	1	FRAME ASSY, Radiator
18	9861444	10	BOLT, Hex, M10 x 20, 10.9, Full Thd,
19	86625253	10	WASHER, M11 x 24 x 2,
20	435465A1	2	MOUNT, RUBBER, Isolator
21	412085	2	BOLT, Hex, M12 x 80, 10.9,
22	320992A1	1	SEAL, Lower Frame
23	86639313	10	WASHER, M8 x 20 x 1.6,
24	412250	10	NUT, LOCK, M8 x 1.25, CI 8,
25	361250A1	2	BRACKET, Mount
26	43362	5	NUT, M8, CI 10,
27	414616A1	2	SEAL, Upper & Lower Fan Shroud
28	414617A1	2	SEAL, RH & LH Fan Shroud
29	414785A1	1	SHROUD, Fan



сылка	Номер детали	Кол-во	Описание
1	87444727	1	AIR CLEANER, See Figure: 02-11
2	214-32144	2	CLAMP, HOSE, 8.25/9.125 HD Worm, W/liner,
3	87443802	1	HOSE, 8"
4	87673448	1	TUBE, AIR INTAKE,
5	87443670	1	CLAMP, COLLAR,
6	827-10100	1	BOLT, Hex, M10 x 100, 10.9,
7	832-10410	3	NUT, LOCK, M10 x 1.5, CI 8,
8	895-11010	2	WASHER, M10 x 20 x 2,
9	87443716	1	PRESCREENER ASSY., Inc. 10
10	87443800	1	CLAMP, COLLAR, Intake Pre-Screen
11	87443148	1	DUCT, AIR, Intake
12	87443916	2	CLAMP, SPECIAL,
13	87437258	2	CLAMP,
14	87309822	1	BRACKET, SUPPORTING, Intake
15	231-1445	2	NUT, LOCK, 5/16"-18, GB,
16	87310919	1	U-BOLT, 7"
17	495-11034	2	WASHER, 5/16", SAE,
18	87303963	1	TUBE, AIR INTAKE,
19	214-32128	1	CLAMP, HOSE, 7.25/8.125 HD Worm, W/liner,
20	87342642	1	TUBE, AIR INTAKE, Rubber
21	214-3280	1	CLAMP, HOSE, 4.25/5.125 HD Worm, W/liner,
22	87304386	1	HOSE, Aspirator, Air Cleaner to Check Valve, 375 mm (14-3/4")
23	214-3240	4	CLAMP, HOSE, 1.75/2.625 HD Worm, W/liner,
24	87304384	1	HOSE, Aspirator, Check Valve to Muffler, 375 mm (14-3/4")
25	87443913	1	VALVE, Check
26	87300581	1	CLAMP, Check Valve
27	827-8045	1	BOLT, Hex, M8 x 45, 10.9,
28	895-11008	3	WASHER, M8 x 16 x 1.6,
29	832-10408	2	NUT, LOCK, M8 x 1.25, CI 8,
30	627-8030	1	BOLT, Hex, M8 x 30, 10.9,
31	827-10040	4	BOLT, Hex, M10 x 40, 10.9, Full Thd,
32	896-15010	10	WASHER, M10 x 24.5 x 3, HT,
33	896-15010	4	WASHER, M10 x 24.5 x 3, HT,
34	832-46410	4	NUT, LOCK, M10 x 1.5, CI 8,
35	87521399	1	SUPPORT, Hood Rear
36	627-12040	4	BOLT, Hex, M12 x 40, 10.9, Full Thd,
37	896-11012	10	WASHER, M13.5 x 24.5 x 3, HT,
38	87589707	1	SUPPORT, Hood
39	829-1412	3	NUT, M12, CI 10,
40	627-12030	3	BOLT, Hex, M12 x 30, 10.9,
41	896-15012	3	WASHER, M12 x 28.5 x 4, HT,
42	87550203	2	BUSHING, GUIDE, Latch Pin
43	829-1310	2	NUT, M10, CI 10,
44	353-408	2	PLUG, Dome, .750" hole, Nylon,
45	627-10020	6	BOLT, Hex, M10 x 20, 10.9, Full Thd,

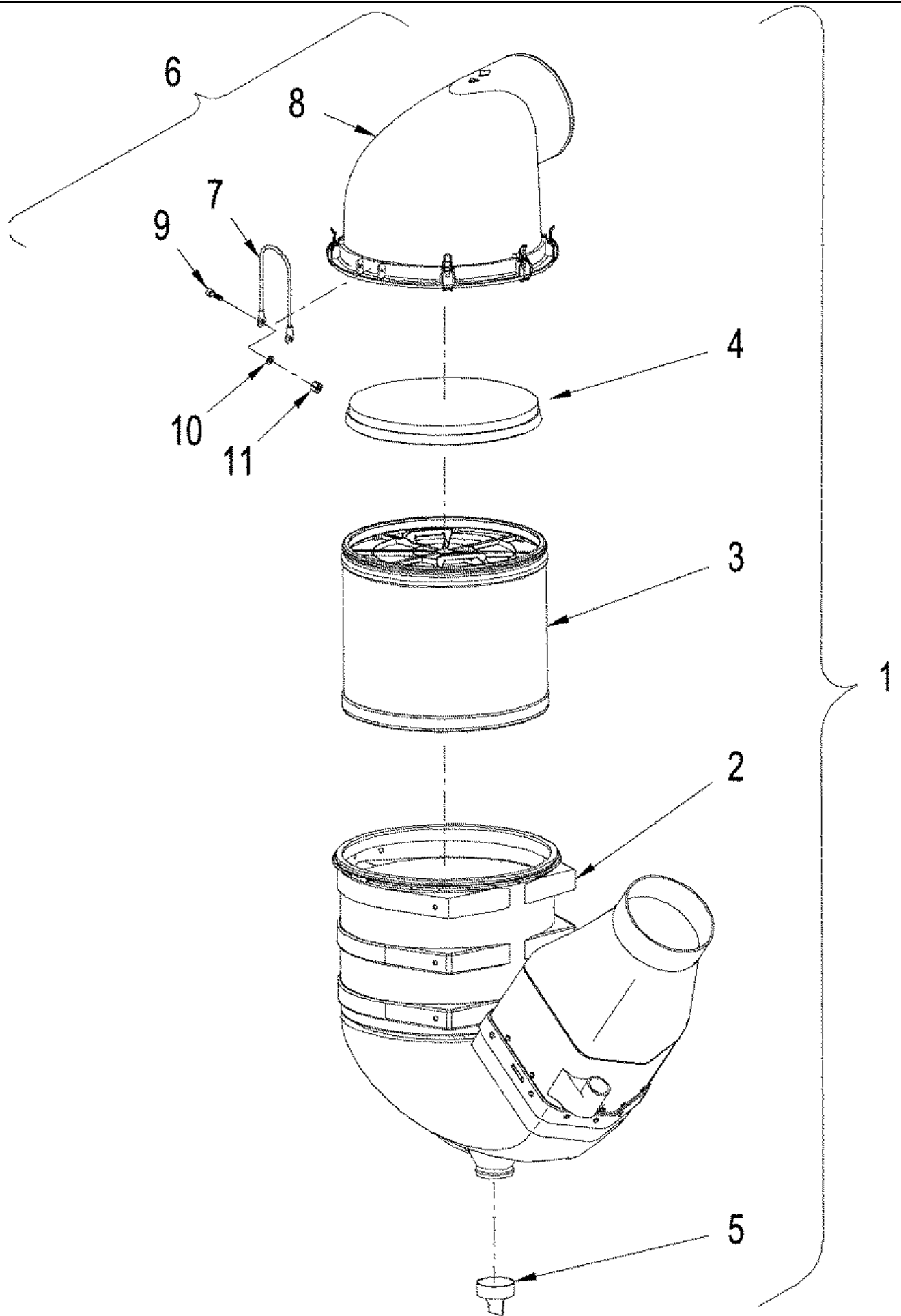
T9040 4WD TRACTOR, ASN (8/07-) - Engine

02-08 AIR INDUCTION SYSTEM, T9030 / 9040

сылка	Номер детали	Кол-во	Описание
-------	--------------	--------	----------

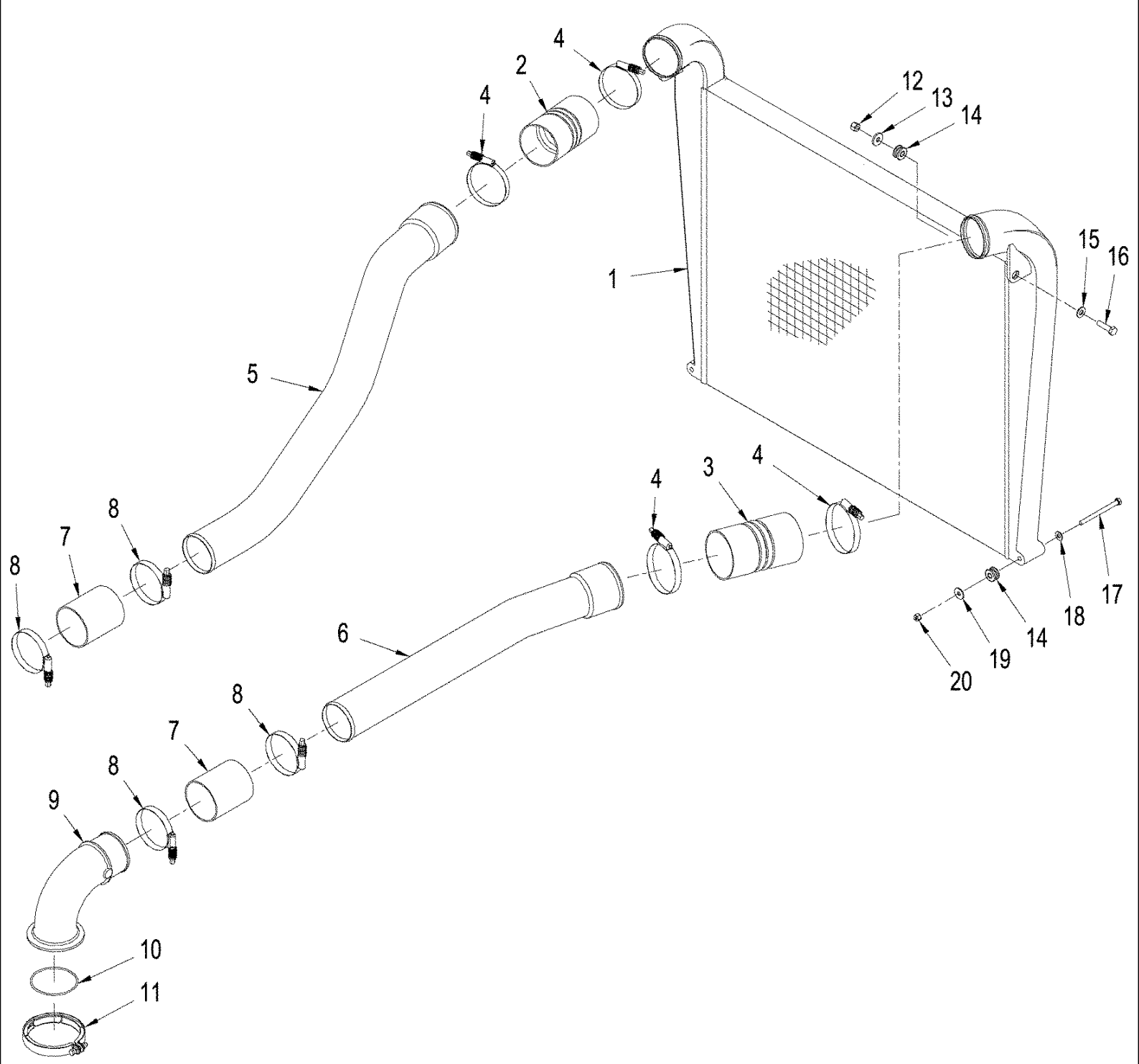
46	828-10120	1	BOLT, M10 x 120, CL10.9
----	-----------	---	-------------------------

02-11 AIR CLEANER ASSEMBLY



02-11 AIR CLEANER ASSEMBLY

сылка	Номер детали	Кол-во	Описание
1	87444727	1	AIR CLEANER, Inc. 2 thru 6, T9050, T9030 / 9040
1	87443705	1	AIR CLEANER, Inc. 2 thru 6, T9060
2	87367918	1	PRE-CLEANER ASSY, AIR, , T9030 / 9040, T9050
2	87368008	1	PRE-CLEANER ASSY, AIR, , T9060
3	87443710	1	FILTER, AIR, Primary Element
4	87443713	1	FILTER, AIR, Safety Element
5	S113982	1	CAP, Rubber
6	87443715	1	COVER, FILTER, Air, Inc. 7 - 11
7	87389246	1	HANDLE,
8	87341276	1	COVER, TOP,
9	627-6016	2	BOLT, Hex, M6 x 16, 10.9,
10	892-11006	2	WASHER, LOCK, M6,
11	829-1406	2	NUT, M6, CI 10,

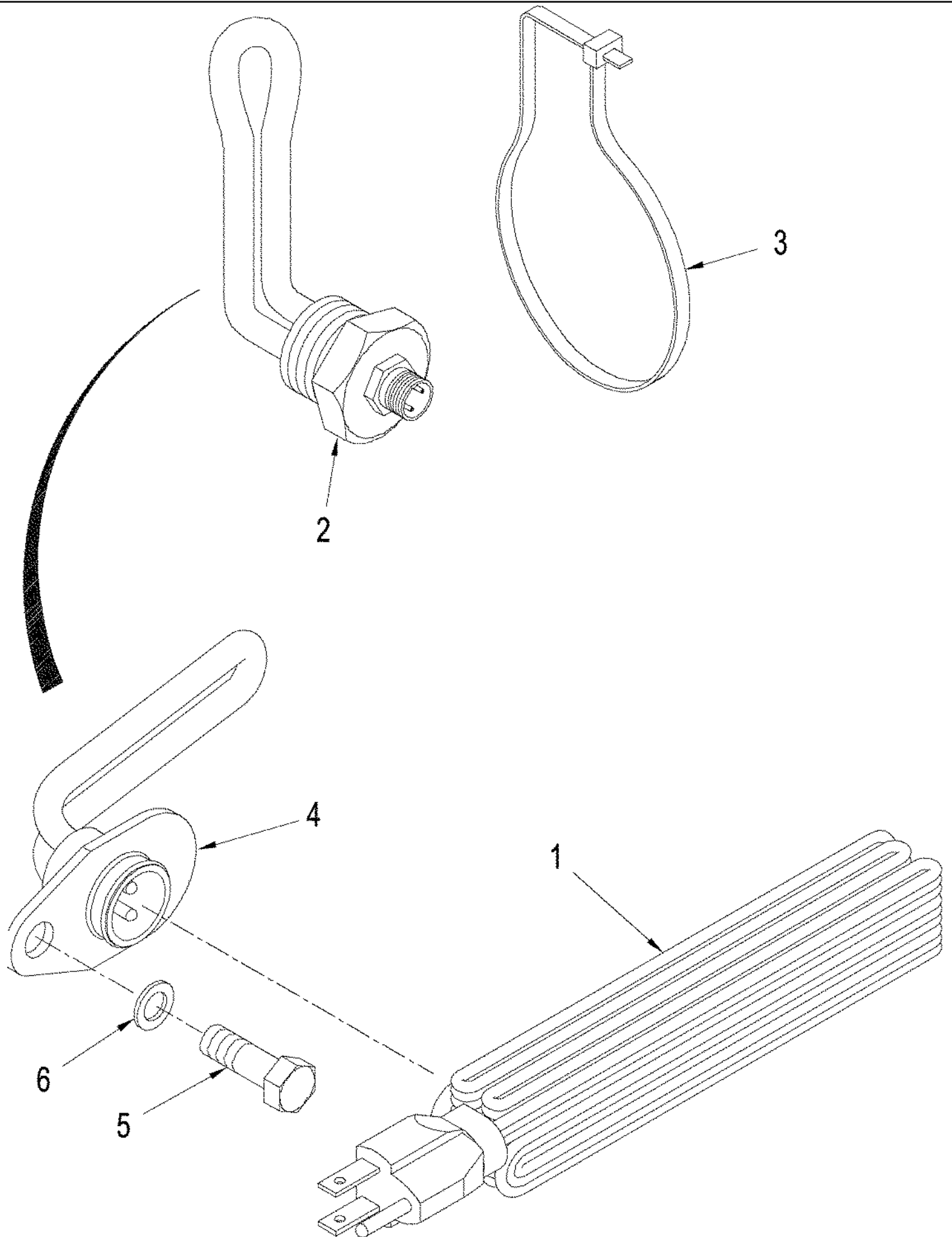


T9040 4WD TRACTOR, ASN (8/07-) - Engine

02-12 AIR COOLER MOUNTING, T9030 / 9040

сылка	Номер детали	Кол-во	Описание
1	87306420	1	COOLER, Charged Air
2	251400A1	1	BELLOWS, LH
3	87306140	1	BELLOWS, RH
4	L124635	4	CLAMP, HOSE,
5	87303966	1	TUBE, AIR INTAKE, Charged Air, LH
6	87439767	1	TUBE, Charged Air, RH
7	87340760	2	HOSE ASSY., Air Intake Connector
8	87599619	4	CLAMP, SPECIAL, Hose
9	87304473	1	TUBE, AIR INTAKE, 90
10	238-6240	1	O-RING, -240, 90 Duro, 3.734" ID x .139" Thk,
11	87304529	1	CLAMP, SPECIAL, T-Bolt Constant Torque
12	832-10410	2	NUT, LOCK, M10 x 1.5, CI 8,
13	895-15010	2	WASHER, M11 x 24 x 2,
14	434177A1	4	ISOLATOR,
15	496-41041	2	WASHER, 13/32" x 1 1/8" x .134",
16	827-10040	2	BOLT, Hex, M10 x 40, 10.9, Full Thd,
17	827-8110	2	BOLT, Hex, M8 x 110, 10.9,
18	895-15008	2	WASHER, M8 x 20 x 1.6,
19	496-41034	2	WASHER, .344" x 1" x .098", HDN,
20	832-10408	2	NUT, LOCK, M8 x 1.25, CI 8,

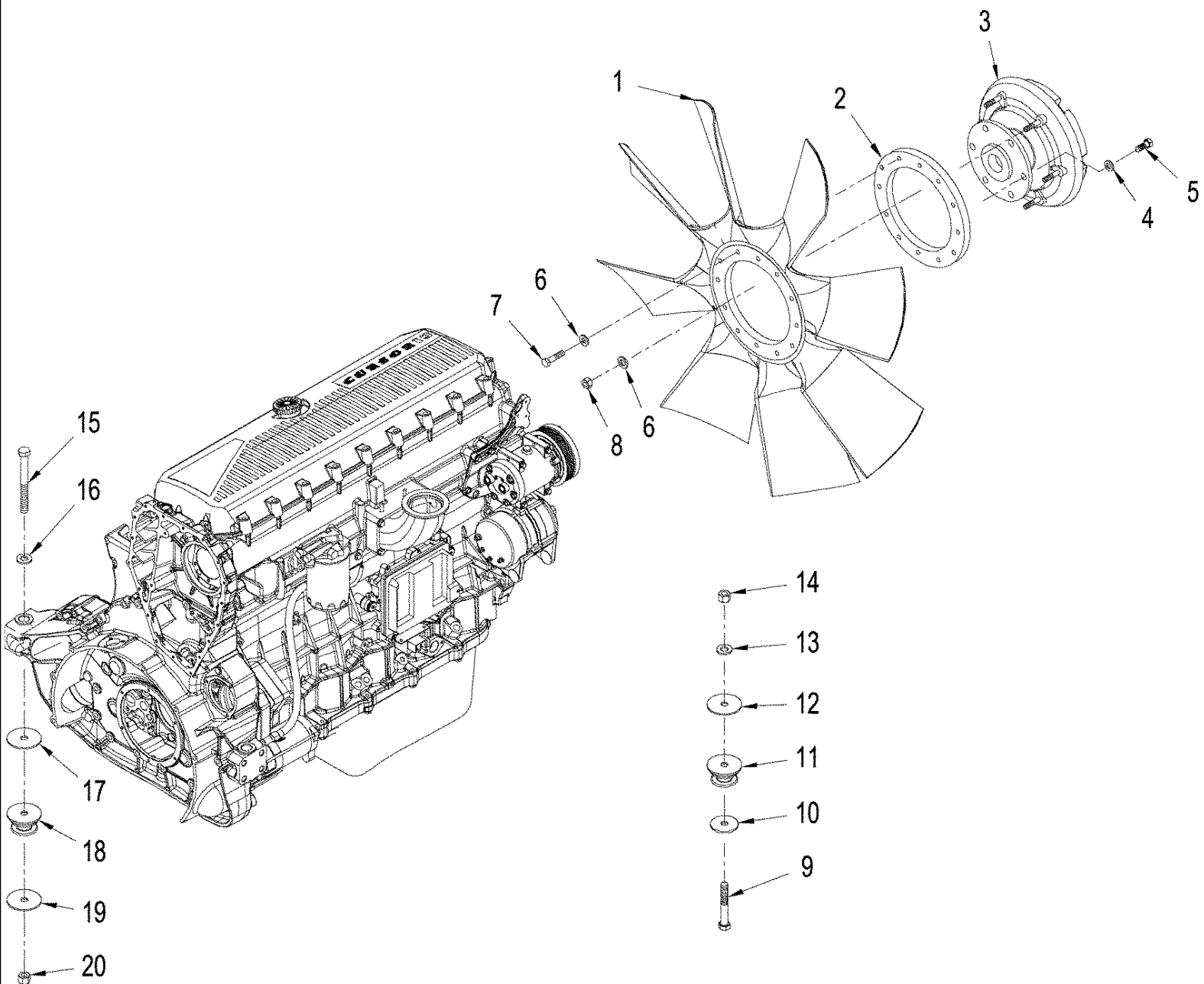
02-16 BLOCK HEATER, ENGINE



T9040 4WD TRACTOR, ASN (8/07-) - Engine

02-16 BLOCK HEATER, ENGINE

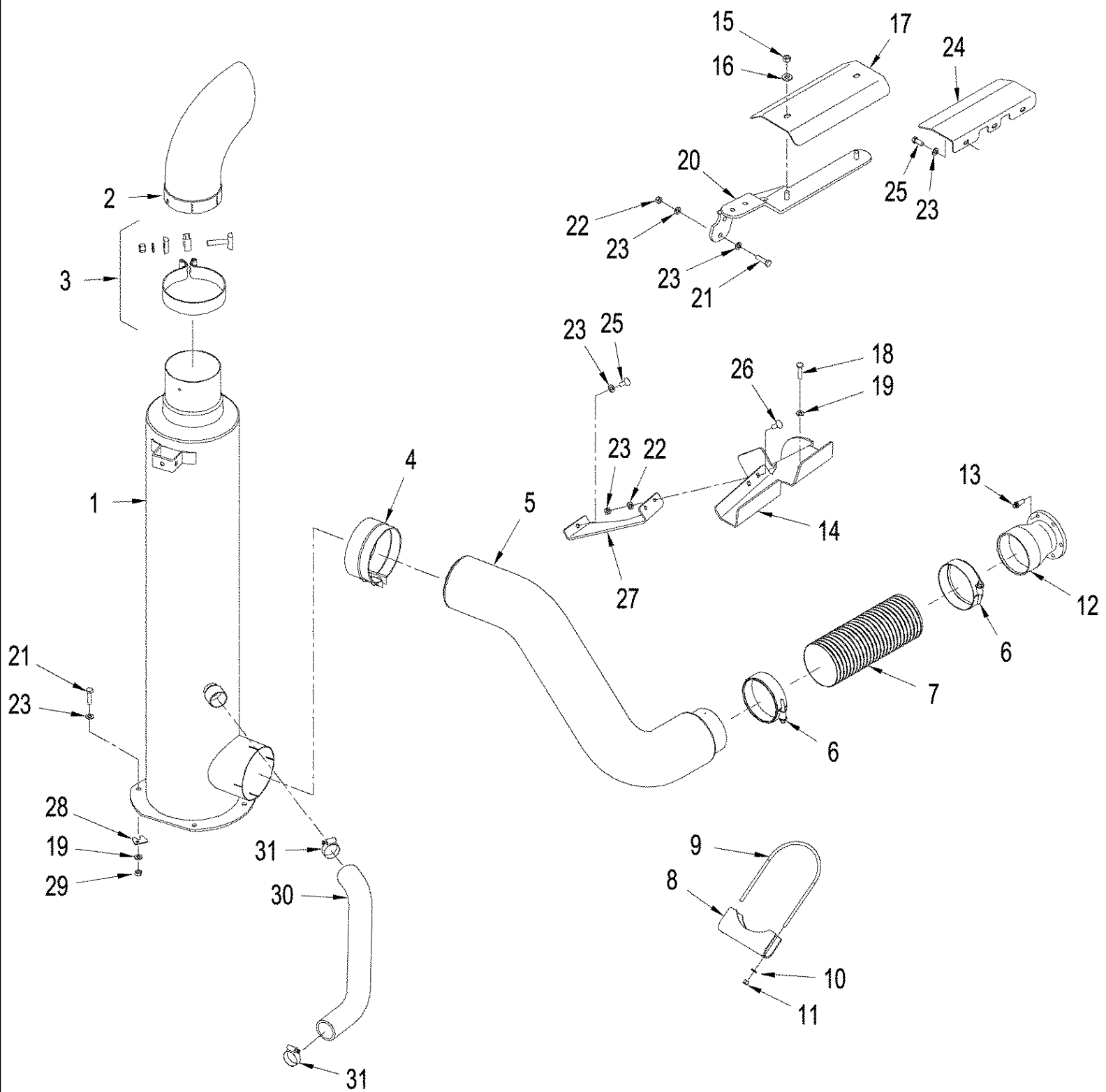
сылка	Номер детали	Кол-во	Описание
1	J905114	1	CABLE, ELECTRIC, , Used with 240V Block Heater, T9060
1	87105748	1	CABLE, ELECTRIC, 1829 mm (72"), Used with 120V Block Heater
2	87413582	1	HEATER, Engine Block, 120V, T9050, T9030 / 9040
3	19-135	1	STRAP, CABLE,
4	87695896	1	HEATER, Engine Block, 120V 15 Watt, T9060 - For block heater gasket order P/N 3688557 from Cummins
4	87695897	1	HEATER, Engine Block, 240V 15 Watt, T9060
5	9861444	2	BOLT, Hex, M10 x 20, 10.9, Full Thd, , T9060
6	86625251	2	WASHER, M10 x 18 x 1.6, , T9060



T9040 4WD TRACTOR, ASN (8/07-) - Engine

02-17 ENGINE MOUNTING AND ATTACHING PARTS, T9030 / 9040 & T9050

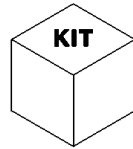
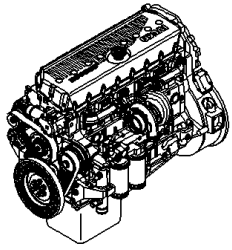
сылка	Номер детали	Кол-во	Описание
1	87440096	1	FAN, Viscous, 32", T9030 / 9040
2	87419100	1	PLATE, MOUNTING, Fan, T9030 / 9040
3	430406A1	1	DRIVE, Viscous Fan, 810 Series, T9030 / 9040
4	896-11012	6	WASHER, M13.5 x 24.5 x 3, HT,
5	627-12030	6	BOLT, Hex, M12 x 30, 10.9,
6	87024879	12	WASHER, .344" x 1" x .098" Thk
7	627-8025	6	BOLT, Hex, M8 x 25, 10.9,
8	832-10408	6	NUT, LOCK, M8 x 1.25, CI 8,
9	827-16160	2	BOLT, Hex, M16 x 160, 10.9,
10	86637662	2	WASHER, Engine Mounting, Front
11	435439A1	2	MOUNT, RUBBER, Engine
12	435471A1	2	WASHER, .656" x 3.50" x .187" thk, Engine Mounting, Front
13	86624156	2	WASHER, 21/32" x 1 1/2" x .188", HDN,
14	832-10416	2	NUT, LOCK, M16 x 2, CI 8,
15	827-20220	2	BOLT, Hex, M20 x 220, 10.9,
16	896-15020	2	WASHER, M20 x 44.5 x 5, HT,
17	379611A1	4	WASHER, Engine Mounting, Rear
18	361187A1	2	ISOLATOR, Rubber, Engine Mounting
19	379611A1	4	WASHER, Engine Mounting, Rear
20	832-10420	2	NUT, LOCK, M20 x 2.5, CI 8,



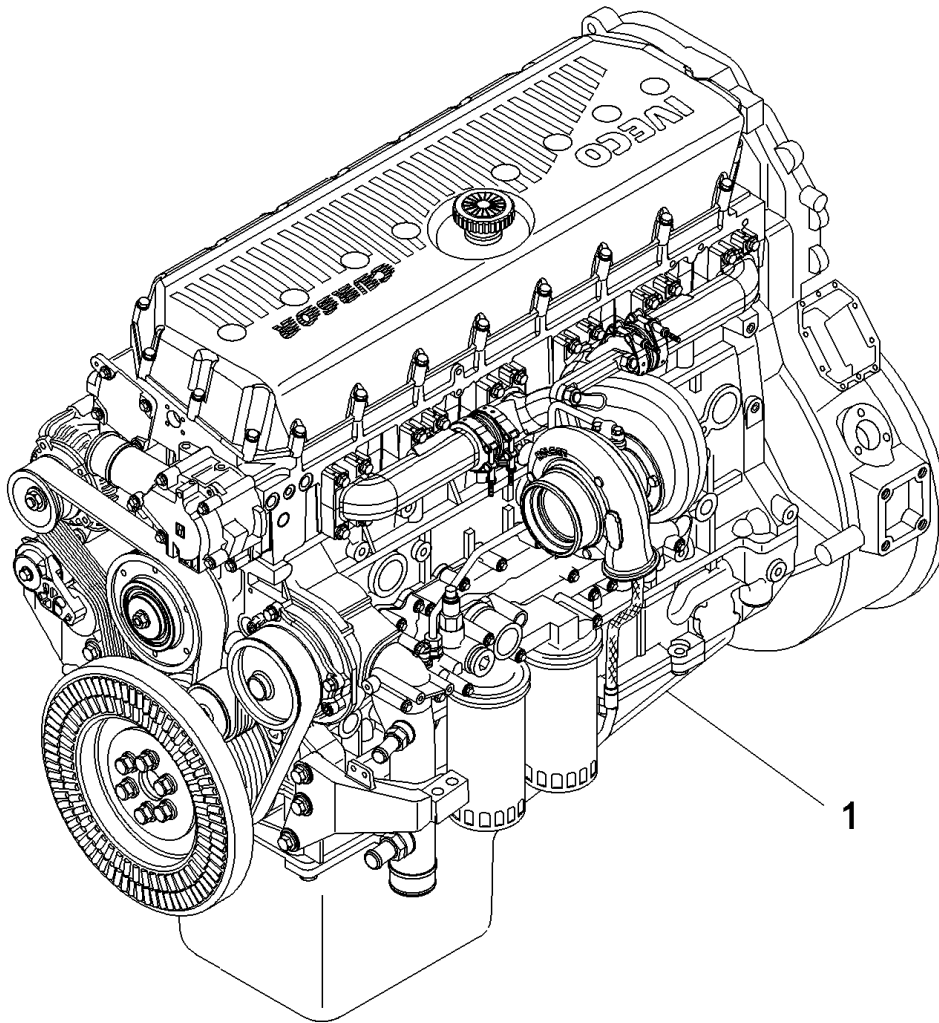
T9040 4WD TRACTOR, ASN (8/07-) - Engine

02-19 EXHAUST SYSTEM, T9030 / 9040

сылка	Номер детали	Кол-во	Описание
1	87350634	1	MUFFLER, without Spark Arrestor
2	87430632	1	ELBOW, Muffler Exhaust, Inc. 3
3	87430634	1	CLAMP, Muffler
4	357686A1	1	CLAMP, Exhaust
5	87308233	1	TUBE, Double Wall
6	87406903	2	COLLAR CLAMP, Flexible Exhaust
7	87376393	1	TUBE, Flexible
8	87439947	1	BRACKET, Support
9	87439948	1	U-BOLT, 6"
10	87362	2	WASHER, 5/16" SAE,
11	86050277	2	NUT, LOCK, 5/16"-18, GB,
12	87308225	1	ELBOW, Exhaust
13	86639302	6	SCREW, 12 Pt Hd, M10 x 25, 12.9,
14	87527524	1	SHIELD, Debris
15	337475	2	NUT, M12, CI 10,
16	86625256	2	WASHER, M12 x 28.5 x 4, HT,
17	87308232	1	SHIELD, Heat
18	9515003	2	BOLT, Hex, M10 x 30, 10.9, Full Thd,
19	86639325	6	WASHER, M10 x 24.5 x 3, HT,
20	87439927	1	BRACKET, Heat Sheild
21	43248	6	BOLT, Hex, M10 x 40, 10.9, Full Thd,
22	86500689	4	NUT, M10, CI 10,
23	86625252	14	WASHER, M10 x 21.5 x 2.5, HT,
24	87308231	1	SHIELD, Manifold Heat
25	9846677	4	BOLT, Hex, M10 x 25, 10.9, Full Thd,
26	86636816	2	BOLT, CARRIAGE, M10 x 25, CL8.8
27	87527959	1	SHIELD, Debris
28	404824A1	AR	SHIM, Muffler Mounting
29	100037	4	NUT, M10 x 1.5, CI 8,
30	87304384	1	HOSE, Aspirator
31	214-3240	2	CLAMP, HOSE, 1.75/2.625 HD Worm, W/liner,



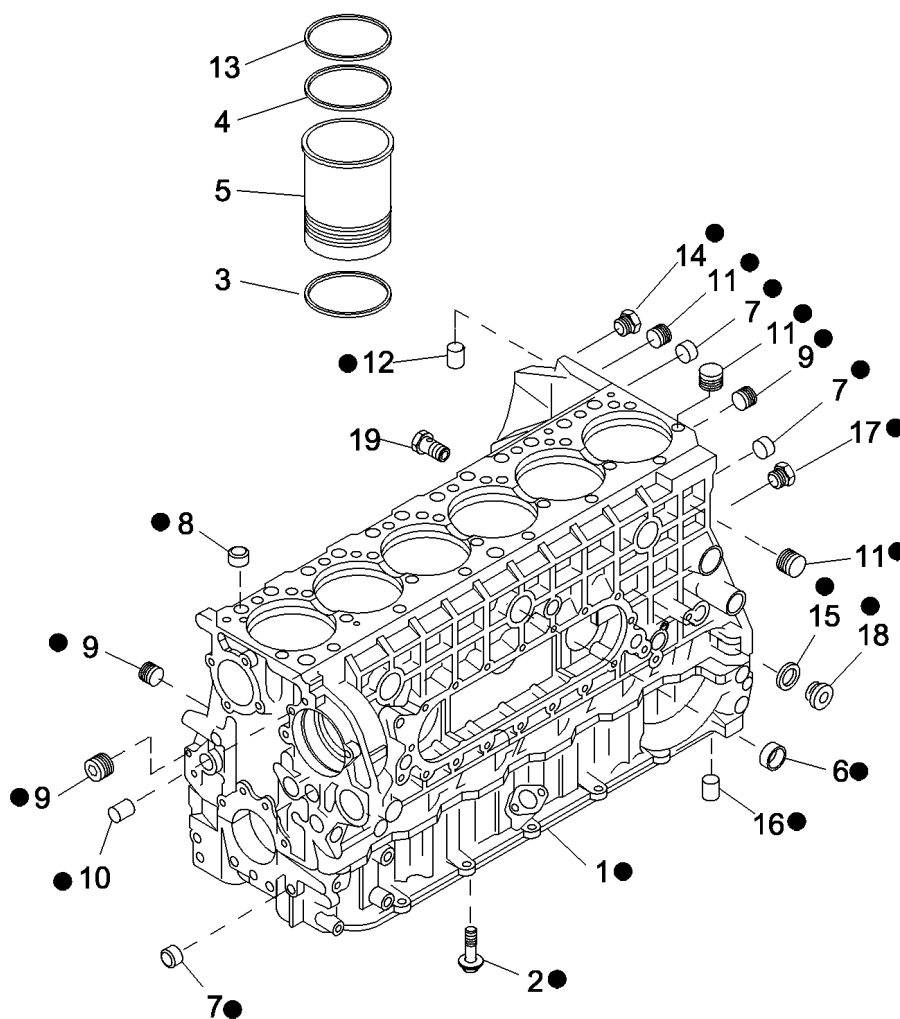
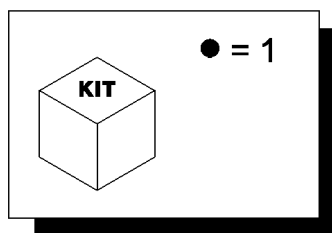
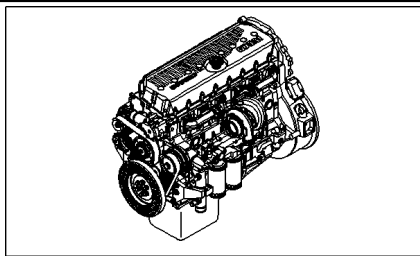
- = 2
- = 3
- = 4
- = 5



T9040 4WD TRACTOR, ASN (8/07-) - Engine

02-22 ENGINE ASSY., T9030 / 9040 & T9050

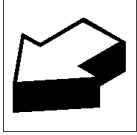
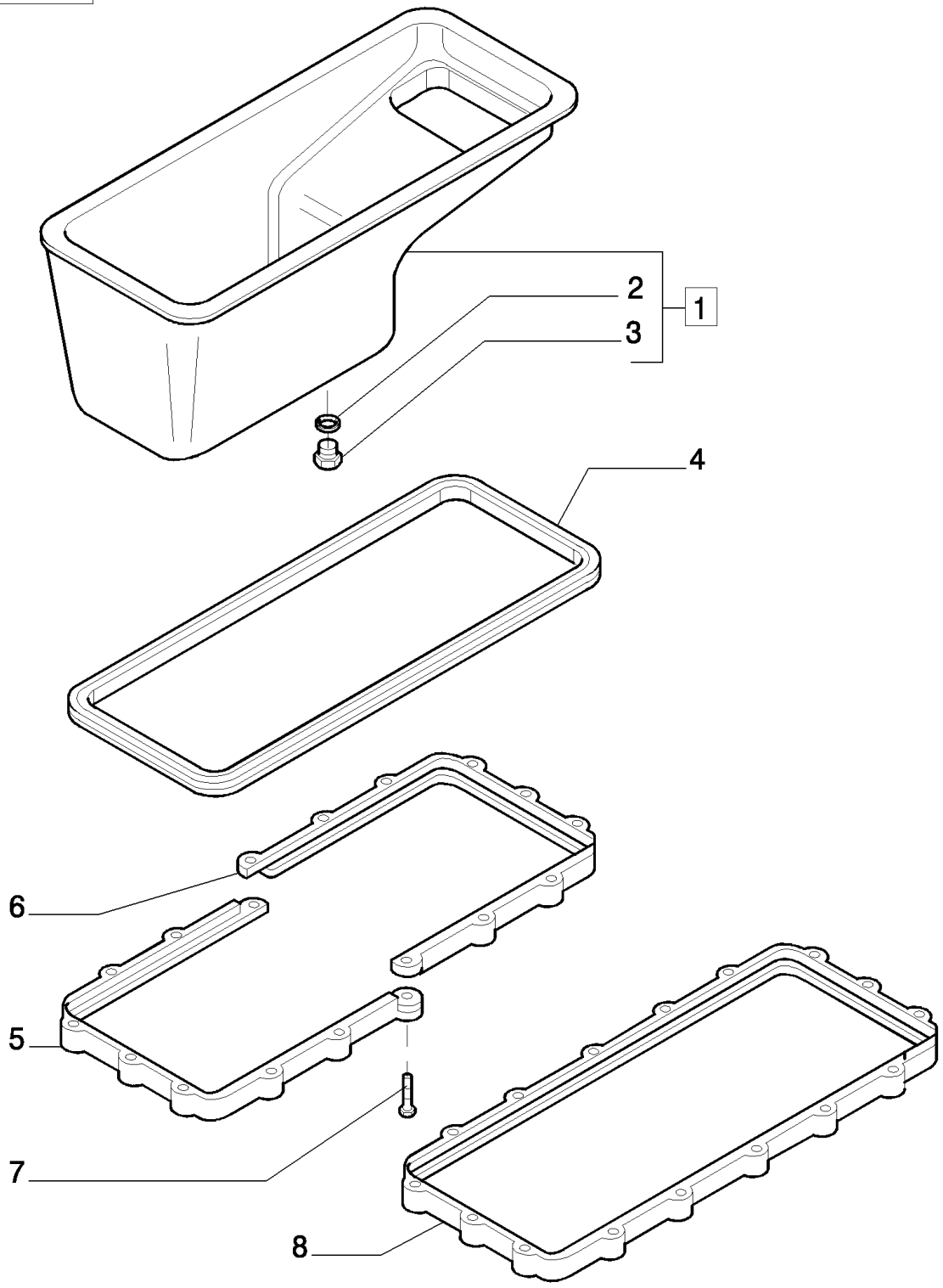
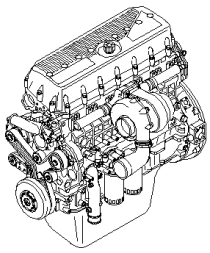
сылка	Номер детали	Кол-во	Описание
1	87354013	1	ENGINE, - ASSY (F3BE0684G*E901), 385hp, T9030
1	87354014	1	ENGINE, - ASSY (F3BE0684H*E901), 435hp, T9040
1	87354016	1	ENGINE, -ASSY (F3CE0684B*E003), 485hp, T9050
2	8094835	1	KIT, ENGINE OVERHAUL,
3	8094836	1	KIT, REPAIR,
4	8097534	1	KIT, ENGINE OVERHAUL, Overhaul, Gasket, T9050
5	8097535	1	KIT, ENGINE TOP GASKETS, Valve Grind, T9050



T9040 4WD TRACTOR, ASN (8/07-) - Engine

02-23 CYLINDER BLOCK & RELATED PARTS, T9030 / 9040 & T9050

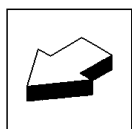
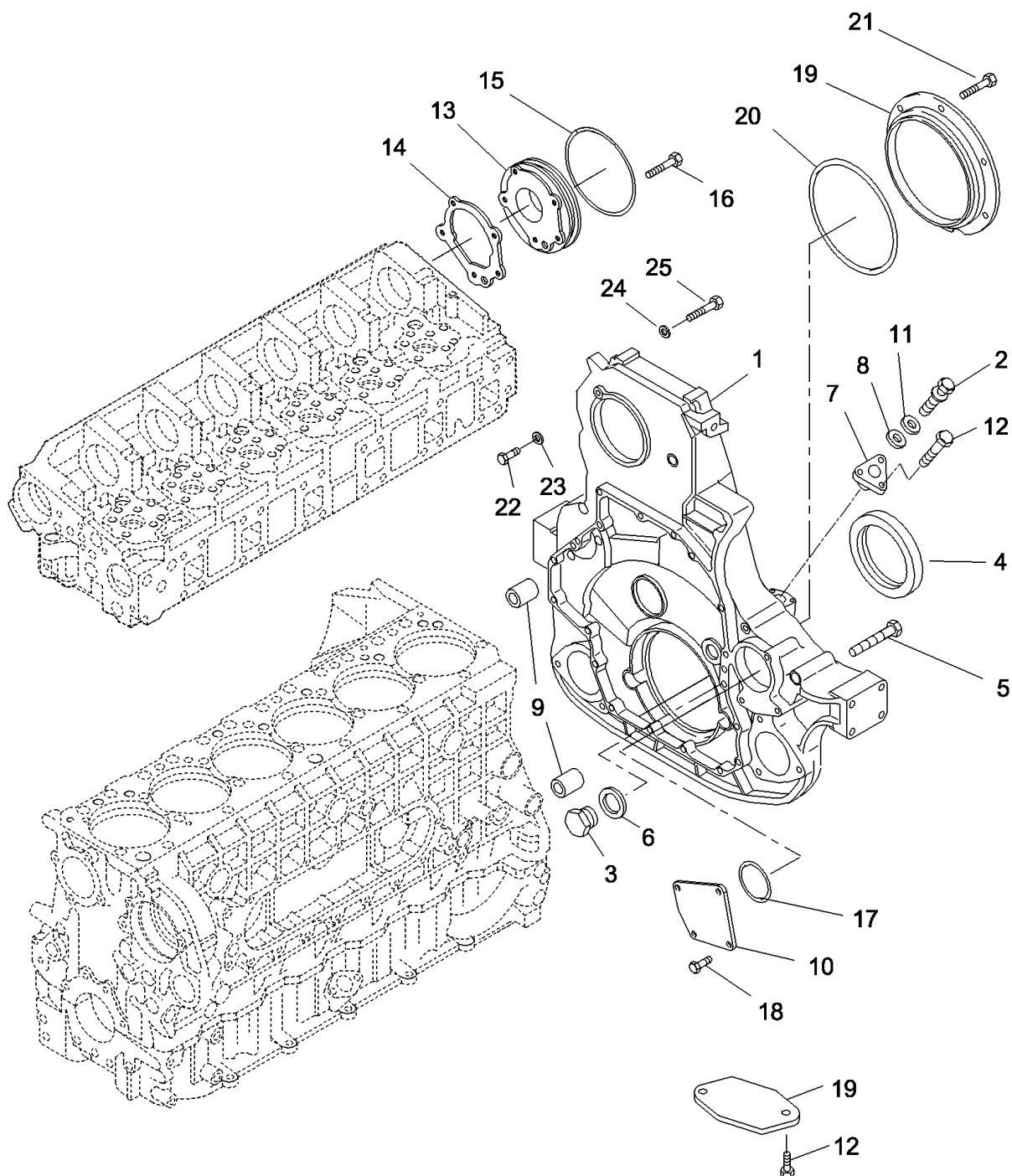
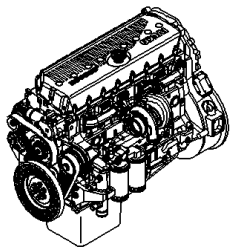
сылка	Номер детали	Кол-во	Описание
1	504191027	1	- ASSY, T9030 / 9040
2	504108192	14	SCREW,
2	99432869	25	SCREW,
2	99433863	1	SCREW,
3	99448193	6	SHIM, THK. 0.08 mm
3	99448192	6	SHIM, THK. 0.1 mm
3	99448190	6	SHIM, THK. 0.12 mm
3	500378983	6	SHIM, THK. 0.14 mm
4	99455400	6	SEALRING,
5	500337911	6	LINER, ENGINE CYLINDER, STD
6	16991370	2	PLUG, D=45 mm
7	16990870	3	PLUG, D=28 mm
8	16990670	6	PLUG, D=20 mm
9	98474481	3	PLUG, , T9030 / 9040
9	504051238	3	PLUG, , T9050
10	98475100	1	PLUG, R3/4X12, T9030 / 9040
10	504120669	1	PLUG, , T9050
11	98472271	3	PLUG, , T9030 / 9040
11	504051237	1	PLUG, , T9050
12	500368916	1	DOWEL,
13	99455401	12	SEALRING,
14	99433597	3	SCREW,
15	99489019	1	WASHER, SEALING, D=16X24 X1.5 mm
16	99467554	4	DOWEL, D=14 mm
17	500356932	1	PLUG, M30X3 - 1/2", T9030 / 9040
18	16992415	1	PLUG, M16X1.5
19	504138062	2	PLUG, , T9050



T9040 4WD TRACTOR, ASN (8/07-) - Engine

02-24 OIL SUMP & RELATED PARTS, T9030 / 9040 & T9050

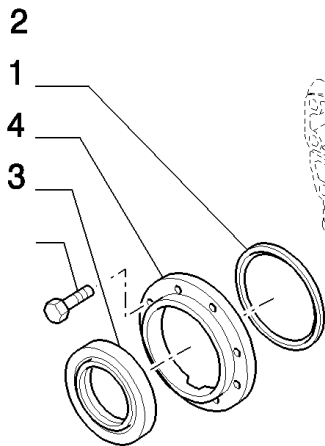
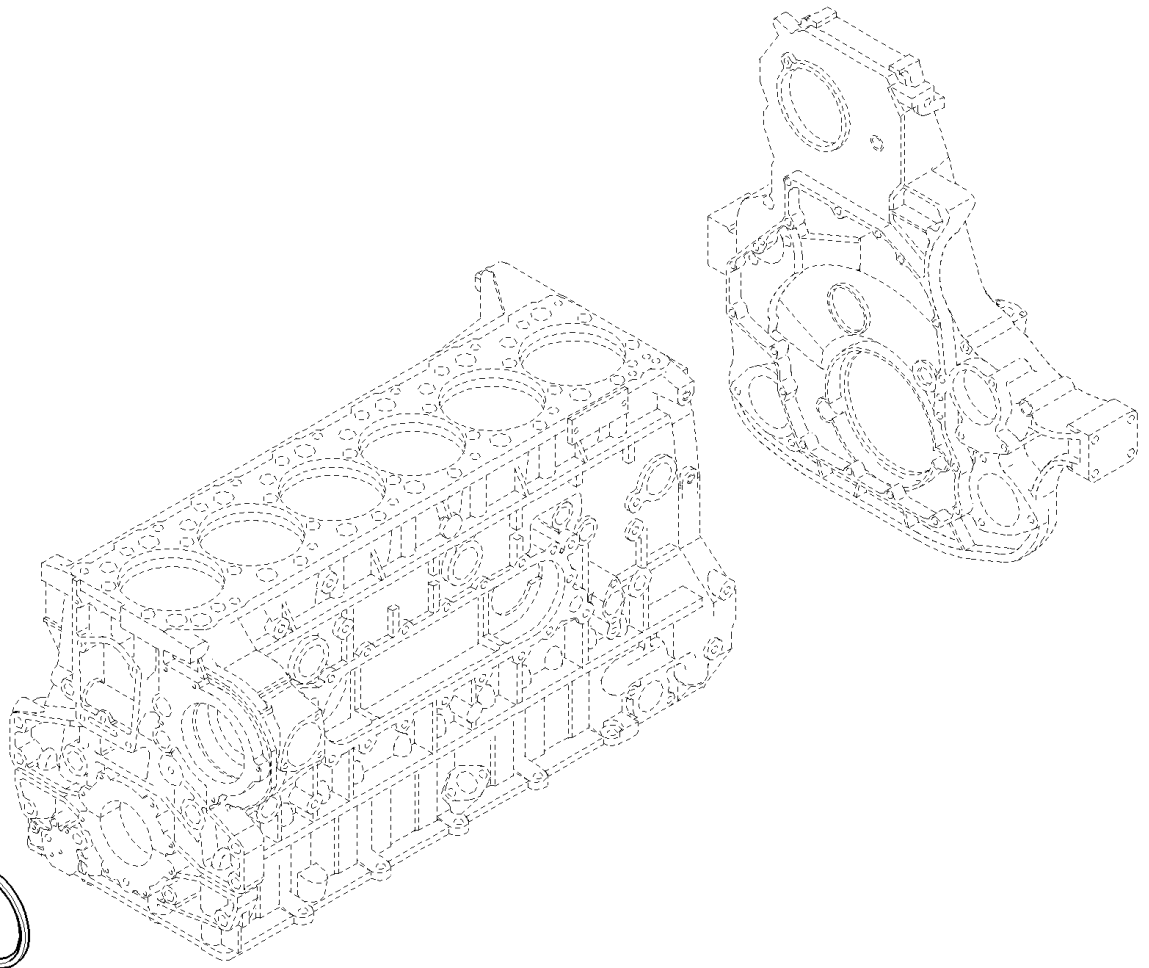
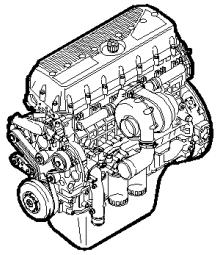
сылка	Номер детали	Кол-во	Описание
1	504025626	1	SUMP, - ASSY
2	99489022	1	WASHER, SEALING, D=22 mm
3	16992611	1	PLUG, M22X1,5
4	504024777	1	GASKET,
5	99449984	1	SPACER, , Up to engine s/n 104597
6	99449985	1	SPACER, , Up to engine s/n 104597
7	16587524	16	SCREW, M10X45 mm, T9030 / 9040
7	504084461	16	BOLT, , T9050
8	504276421	1	SPACER, , From engine s/n 104598



T9040 4WD TRACTOR, ASN (8/07-) - Engine

02-25 FLYWHEEL CASE, T9030 / 9040 & T9050

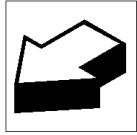
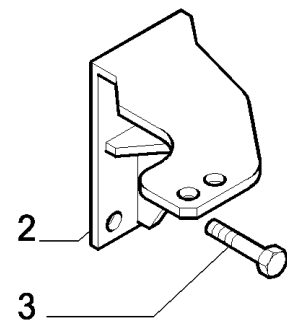
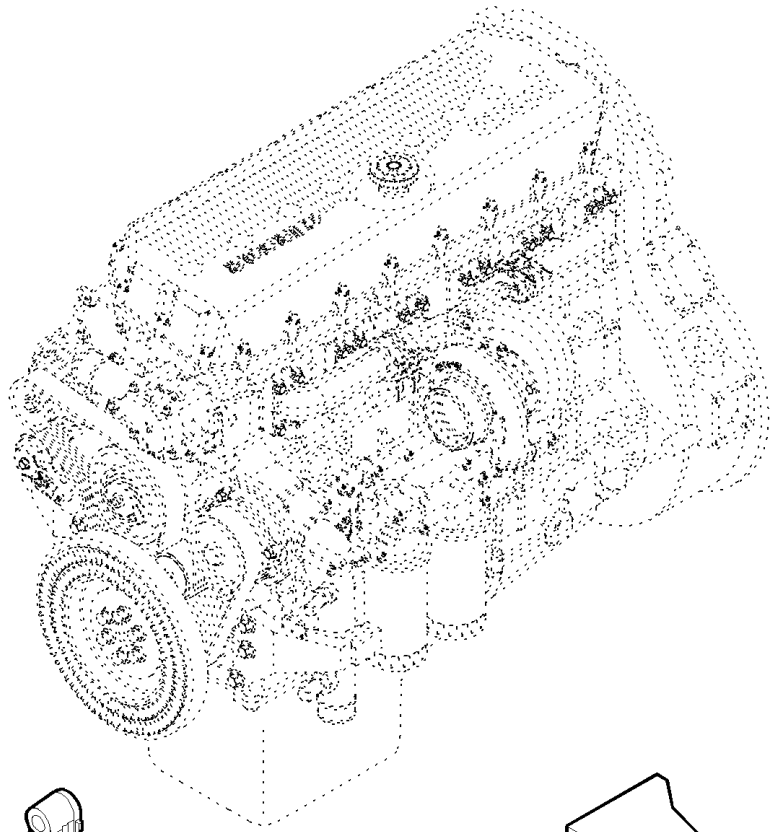
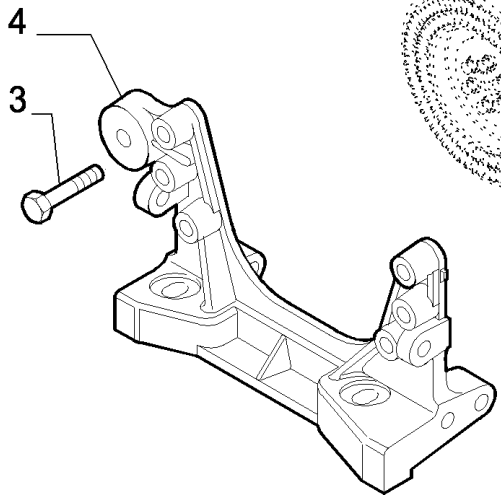
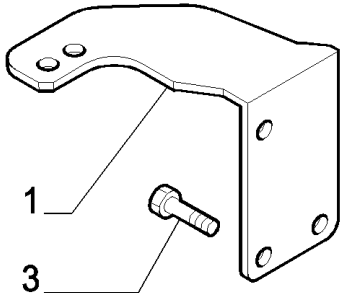
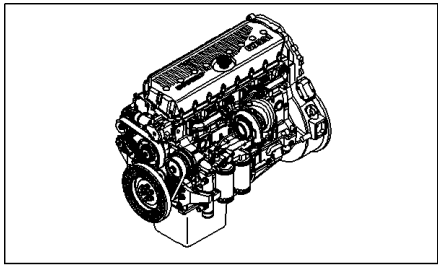
сылка	Номер детали	Кол-во	Описание
1	504076809	1	HOUSING, , T9030 / 9040
1	504086222	1	HOUSING, , T9050
2	504087515	1	SCREW, M8X1,25, T9030 / 9040
3	16991915	AR	PLUG, M24X1,5, (2) used on T9030 / 9040 & (1) used on T9050.
4	40102693	1	GASKET,
5	16588125	6	SCREW, M12X1.75X35 mm
5	16593625	2	SCREW, M12X1.75X120 mm
5	16587225	2	SCREW, M10X30
5	16600024	2	SCREW, M12X160
5	16593425	8	SCREW, M12X100 mm
5	16679435	AR	BOLT, M12X130
6	99489023	2	WASHER, LOCK, 2AX35X1,5, T9050
7	99472521	1	COVER,
8	98474305	2	WASHER, SEALING, D=10X17 X2,3 mm, T9030 / 9040
9	17275610	2	DOWEL,
10	504092448	1	COVER, , T9030 / 9040
11	16892924	1	WASHER, LOCK, 8X17X1,6
12	16597925	5	SCREW, M8X14 mm
13	500322294	1	PLATE,
14	99448739	1	GASKET,
15	17292381	1	GASKET,
16	504002590	5	SCREW,
17	17297081	1	O-RING, 88,26X5,33, T9030 / 9040
18	16587025	4	M10X20, T9030 / 9040
19	504092930	1	COVER, , T9030 / 9040
19	504224804	1	COVER, , T9050
20	17293681	1	O-RING, 190,3X3,53
21	16585625	6	BOLT, M6X12
22	16675835	2	SCREW, M10 x 30, T9050
23	98474305	2	WASHER, SEALING, , T9050
24	16892924	1	WASHER, LOCK, , T9050
25	504087515	1	SCREW, Shear, T9050



T9040 4WD TRACTOR, ASN (8/07-) - Engine

02-26 ENGINE BLOCK FRONT COVER, T9030 / 9040 & T9050

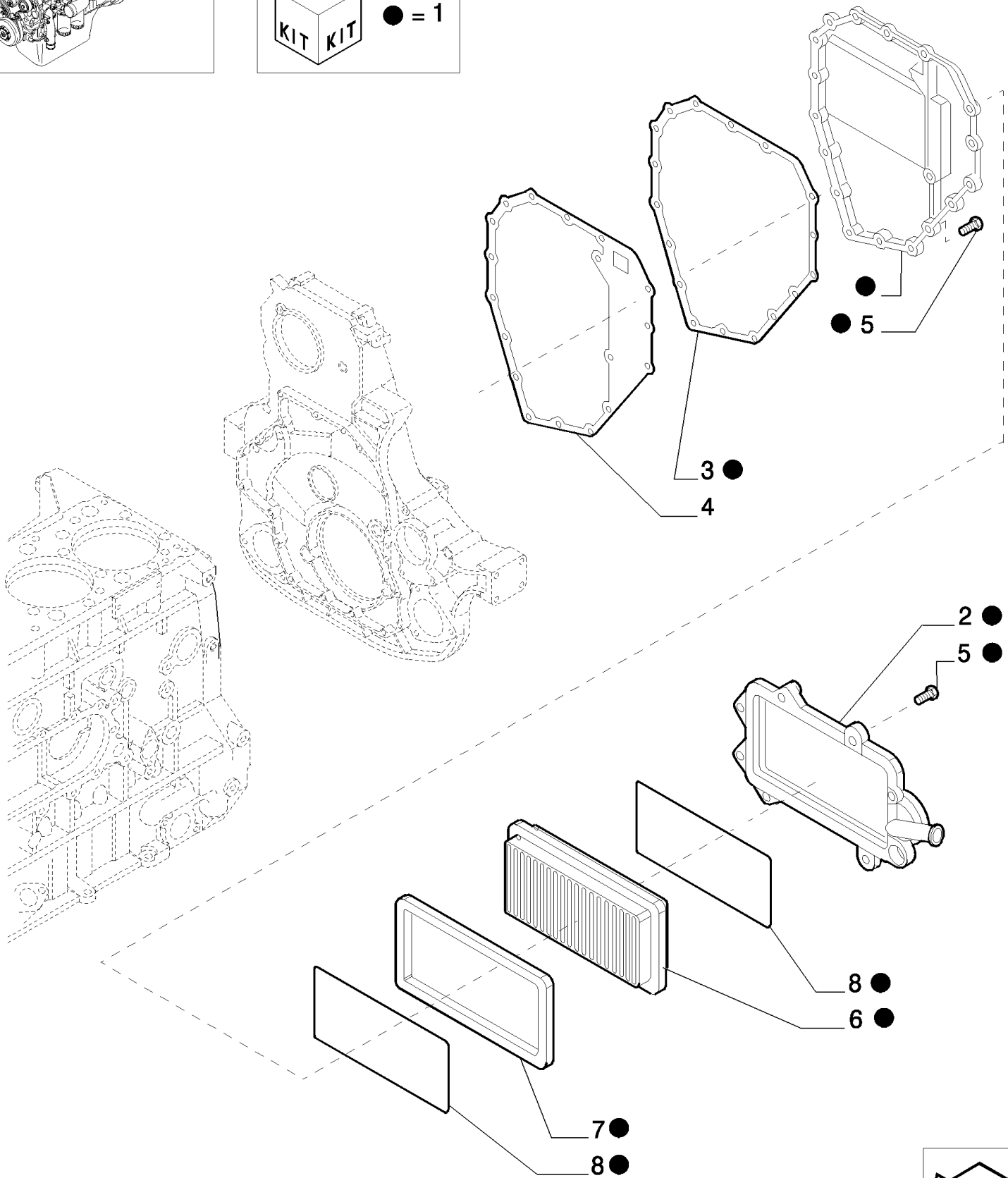
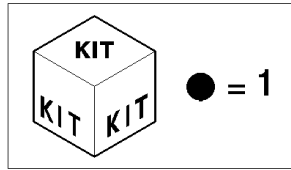
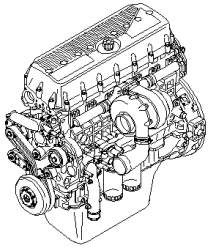
сылка	Номер детали	Кол-во	Описание
1	500304671	1	COVER,
2	17292581	1	SEAL,
3	16586225	8	SCREW, M8X1.25X16 mm
4	40102683	1	SEAL,



T9040 4WD TRACTOR, ASN (8/07-) - Engine

02-27 ENGINE MOUNTING, T9030 / 9040 & T9050

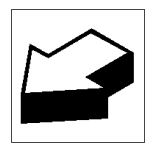
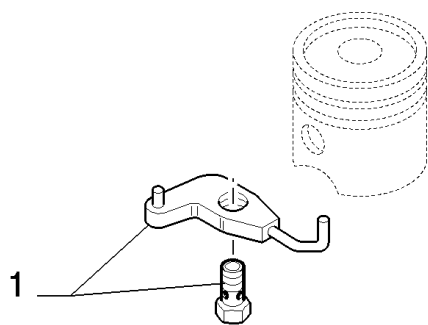
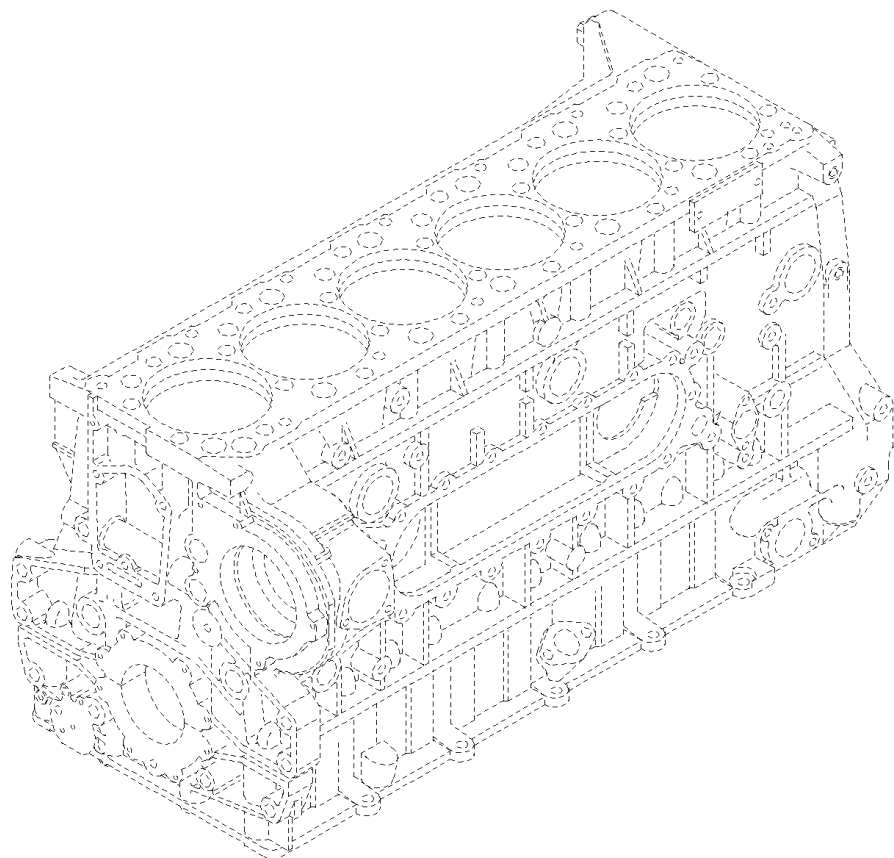
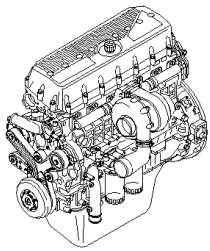
сылка	Номер детали	Кол-во	Описание
1	504081162	1	MOUNT, ENGINE, - RIGHT, T9030 / 9040
2	504081176	1	MOUNT, ENGINE, - LEFT, T9030 / 9040
3	99484191	12	SCREW,
4	504076929	1	BRACKET, SUPPORTING,



T9040 4WD TRACTOR, ASN (8/07-) - Engine

02-28 ENGINE BREATHERS, T9030 / 9040

сылка	Номер детали	Кол-во	Описание
1	500382997	1	BREATHER,
2	500383037	1	COVER,
3	500382999	1	GASKET,
4	500383189	1	GASKET,
5	500383042	25	SCREW,
6	500383040	1	FILTER, OIL COOLER,
7	500398649	1	GASKET,
8	500383043	2	GASKET,

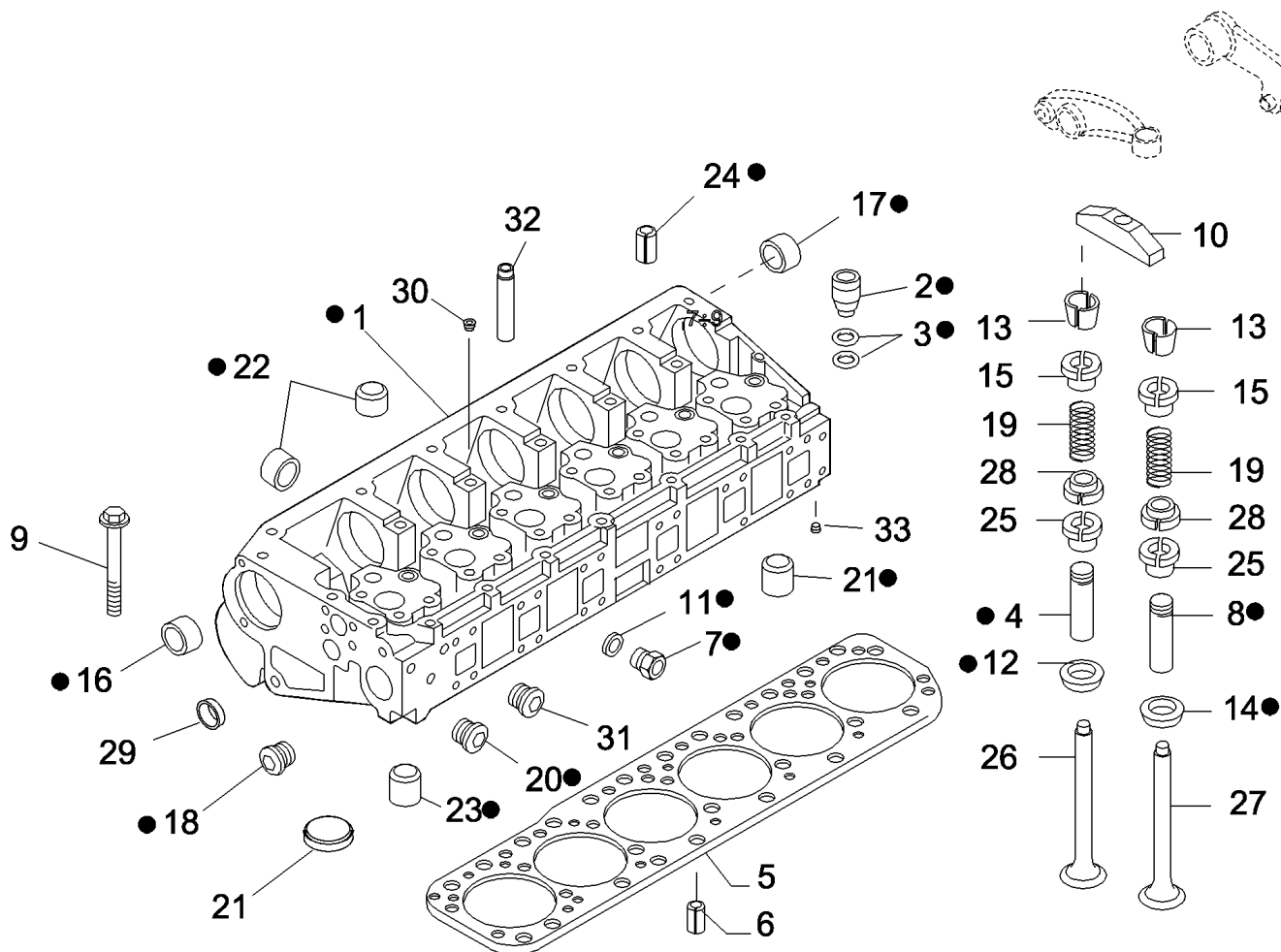
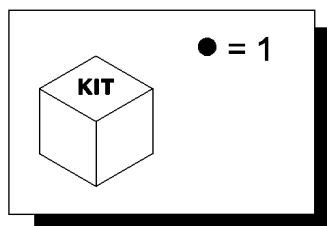
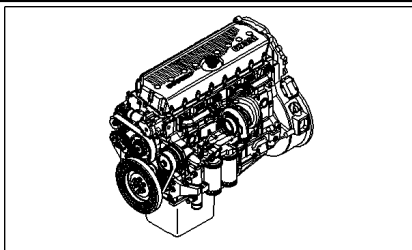


T9040 4WD TRACTOR, ASN (8/07-) - Engine

02-30 CYLINDER BARREL LUBRICATION NOZZLE, T9030 / 9040 & T9050

сылка	Номер детали	Кол-во	Описание
-------	--------------	--------	----------

1	504101758	6	NOZZLE, LUB. OIL JET,
---	-----------	---	-----------------------



T9040 4WD TRACTOR, ASN (8/07-) - Engine

02-31 CYLINDER HEAD & RELATED PARTS, T9030 / 9040 & T9050

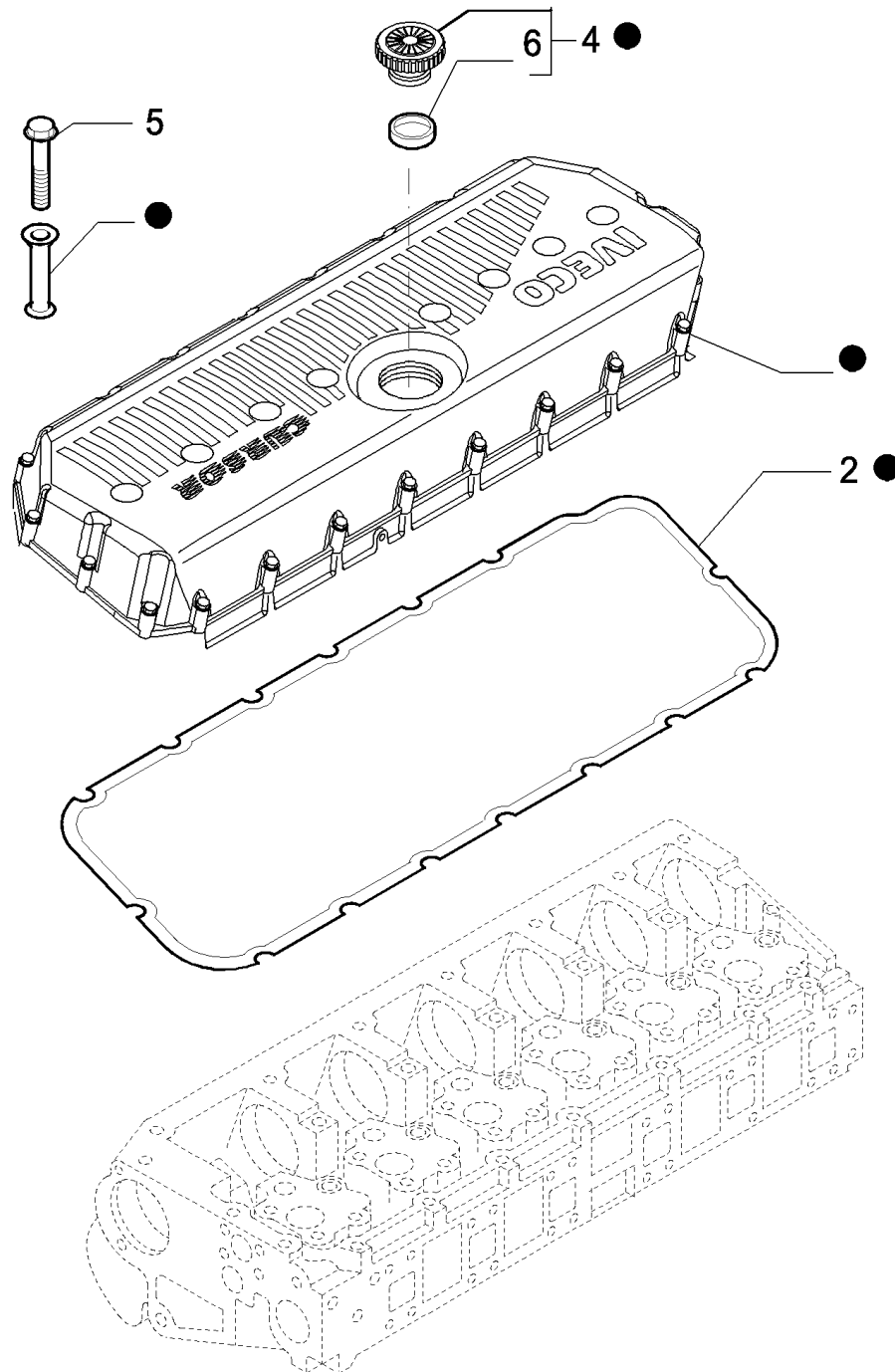
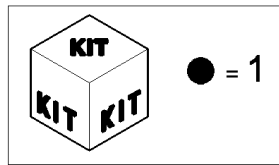
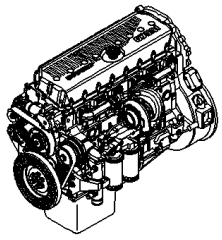
сылка	Номер детали	Кол-во	Описание
1	504021866	1	CYLINDER HEAD,
2	99476929	6	CASE,
3	17279081	12	GASKET, D=26.7X1.7 mm
4	500390993	12	GUIDE, VALVE, INTAKE, STD
4	500390864	12	VALVE, INLET, OVERSIZE, + 0,2
4	500390866	12	VALVE, INLET, OVERSIZE, + 0,4
5	504007514	1	GASKET,
6	17275510	2	DOWEL, D=10 mm
7	16992411	2	PLUG, M16X1.5, T9030 / 9040
8	500390994	12	GUIDE, VALVE, EXHAUST, STD
8	500390860	12	VALVE, EXHAUST, OVERSIZE, + 0,2
8	500390861	12	VALVE, EXHAUST, OVERSIZE, + 0,4
9	98495527	20	SCREW, , T9030 / 9040
9	504108192	20	SCREW, , T9050
9	98495528	6	SCREW,
10	504002605	12	CROSSRAIL,
11	99489019	2	WASHER, SEALING, D=9.2X1.7mm, T9030 / 9040
12	99450511	12	VALVE SEAT, STD
12	504020517	12	VALVE SEAT, + 0,20
13	14196370	48	COTTER, ROCKER ARM,
14	99450512	12	VALVE SEAT, STD
14	504020515	12	VALVE SEAT, + 0,20
15	98473050	24	PLATE, COTTERS,
16	504003914	6	BUSHING, , T9030 / 9040
16	504078222	6	BUSHING, , T9050
17	504003915	1	BUSHING, , T9030 / 9040
17	504078223	1	BUSHING, , T9050
18	98472271	6	PLUG, , T9030 / 9040
18	500310146	1	PLUG, , T9030 / 9040
18	504051237	3	PLUG, , T9050
19	504100000	24	SPRING,
20	99430692	1	PLUG,
21	16991370	2	PLUG, D=45 mm
22	16990870	13	PLUG, D=28 mm
23	16990570	12	PLUG, D=20 mm, T9030 / 9040
24	17257074	1	PIN, ROLL,
25	40101874	12	GASKET,
26	500355778	12	VALVE, ENG EXHAUST, STD,
27	500355780	12	VALVE, ENG EXHAUST, STD, , T9030 / 9040
27	504080352	12	VALVE, ENG EXHAUST, STD, , T9050
28	504107641	24	CUP,
29	14282170	2	PLUG, M20, Tapered, Stainless, , T9050
30	504138062	1	PLUG, , T9050
31	504182706	1	PLUG, , T9050
32	17255674	1	PIN, ROLL, Dowel, T9050

T9040 4WD TRACTOR, ASN (8/07-) - Engine

02-31 CYLINDER HEAD & RELATED PARTS, T9030 / 9040 & T9050

сылка	Номер детали	Кол-во	Описание
-------	--------------	--------	----------

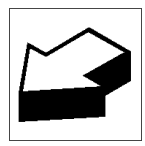
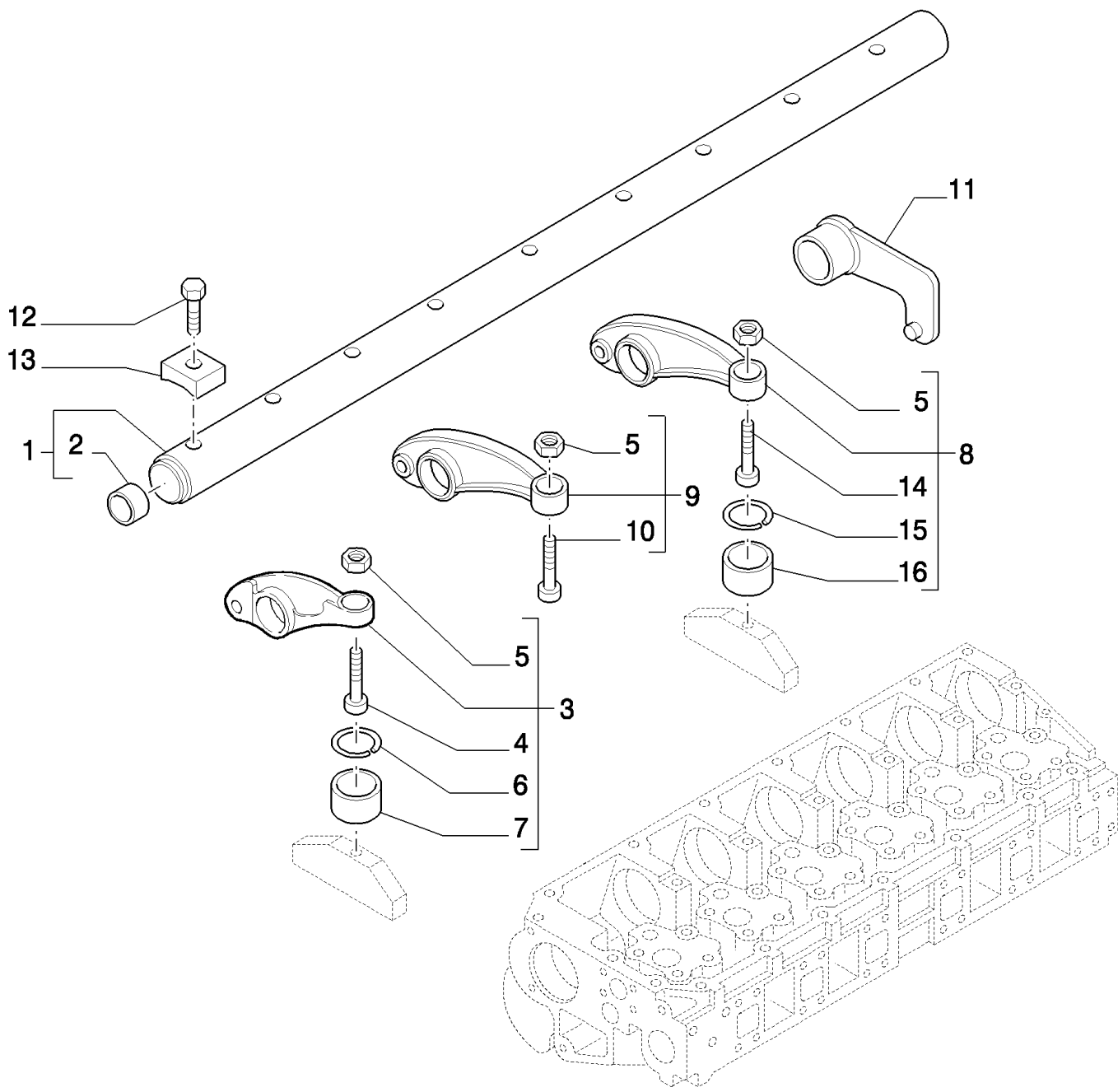
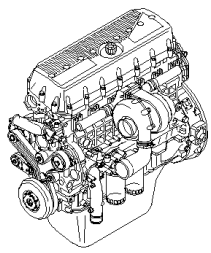
33	504138060	1	PLUG, , T9050
----	-----------	---	---------------



T9040 4WD TRACTOR, ASN (8/07-) - Engine

02-32 HEAD COVER, T9030 / 9040 & T9050

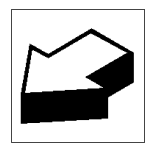
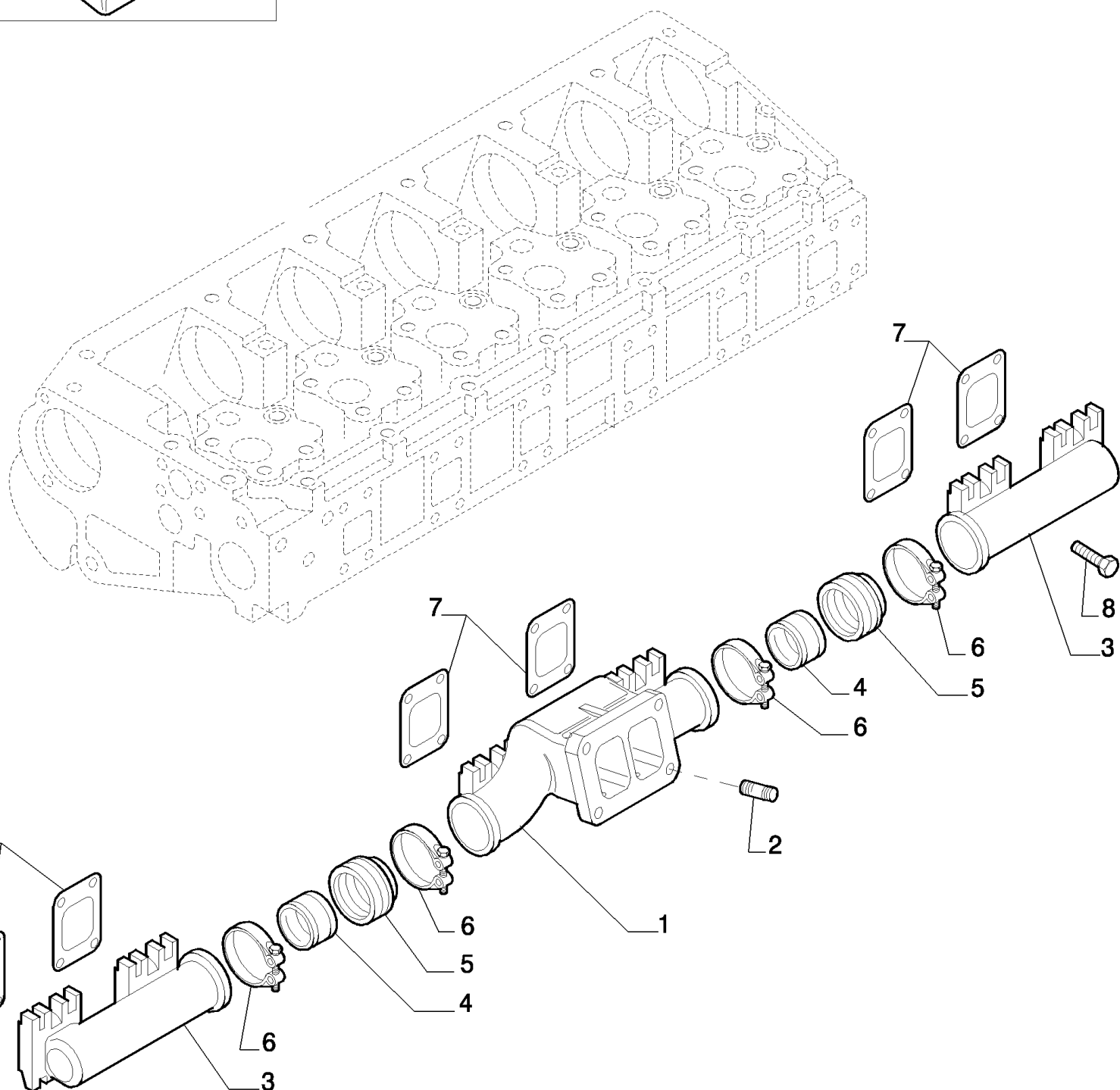
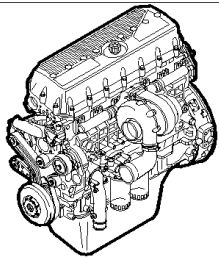
сылка	Номер детали	Кол-во	Описание
1	504041315	1	COVER,
2	500309014	1	GASKET,
3	99446693	24	BUSHING,
4	98442027	1	CAP, - ASSY
5	500309013	24	SCREW,
6	98412146	1	GASKET,



T9040 4WD TRACTOR, ASN (8/07-) - Engine

02-33 SHAFT & ROCKER ARMS, T9030 / 9040 & T9050

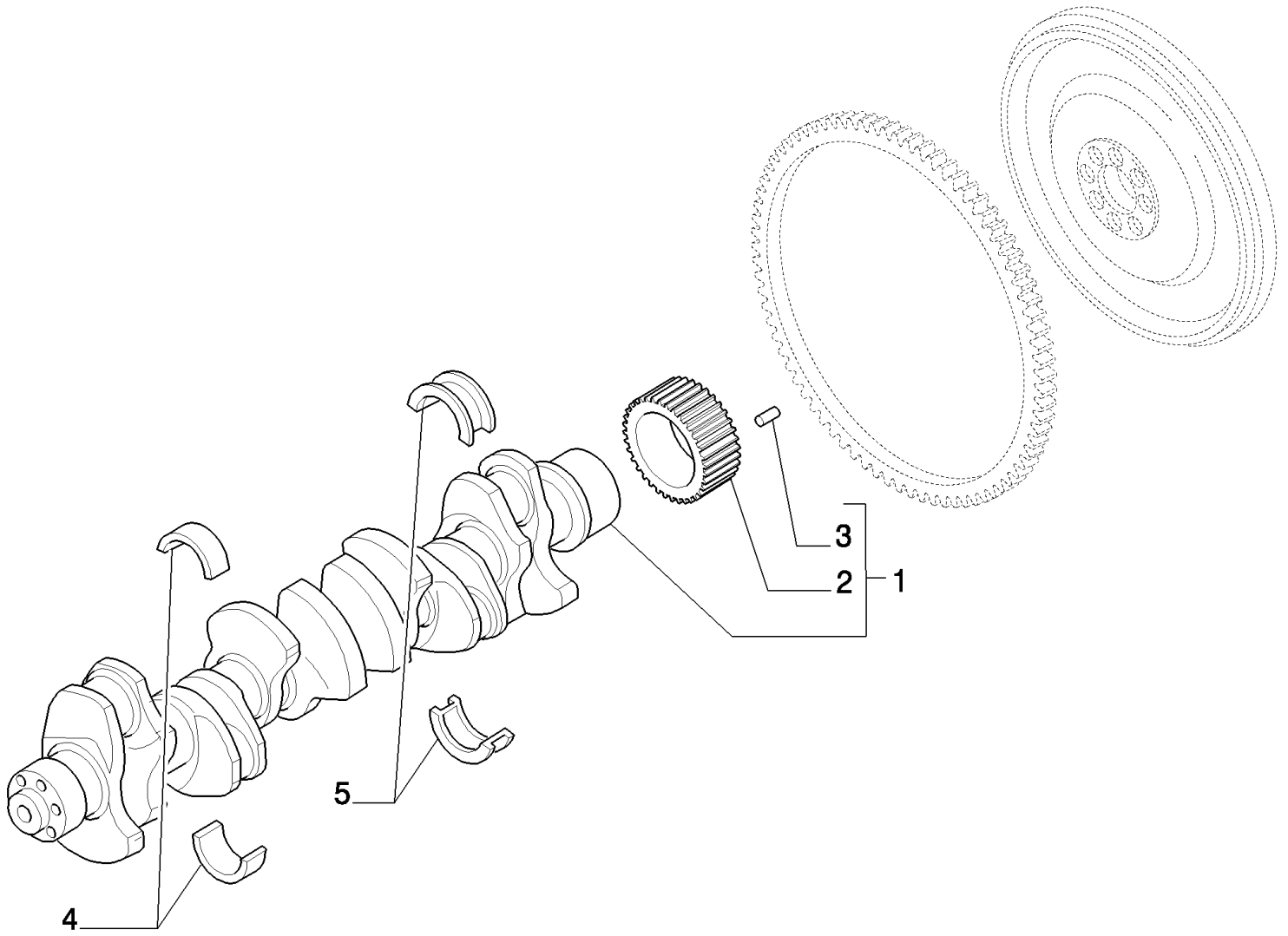
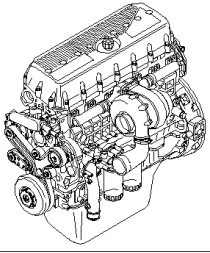
сылка	Номер детали	Кол-во	Описание
1	99475575	1	SHAFT, - ASSY., Inc. 2
2	16988301	2	PLUG, D=20 mm
3	504137043	6	ROCKER ARM, - ASSY
4	98498411	1	SCREW,
5	504059553	3	NUT,
6	17084376	1	RING,
7	500300903	1	PAD, SLIDING,
8	500316732	6	ROCKER ARM, - ASSY., Inc. 5, 14, 15, & 16
9	500314915	6	ROCKER ARM, - ASSY., Inc. 5 & 10
10	98498410	1	SCREW,
11	99476802	6	LEVER,
12	99475580	7	SCREW,
13	500344277	7	CAP,
14	99444739	1	SCREW,
15	17084476	1	CIRCLIP,
16	99444740	1	BRIDGE,



T9040 4WD TRACTOR, ASN (8/07-) - Engine

02-34 EXHAUST MANIFOLD, T9030 / 9040 & T9050

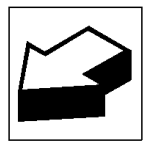
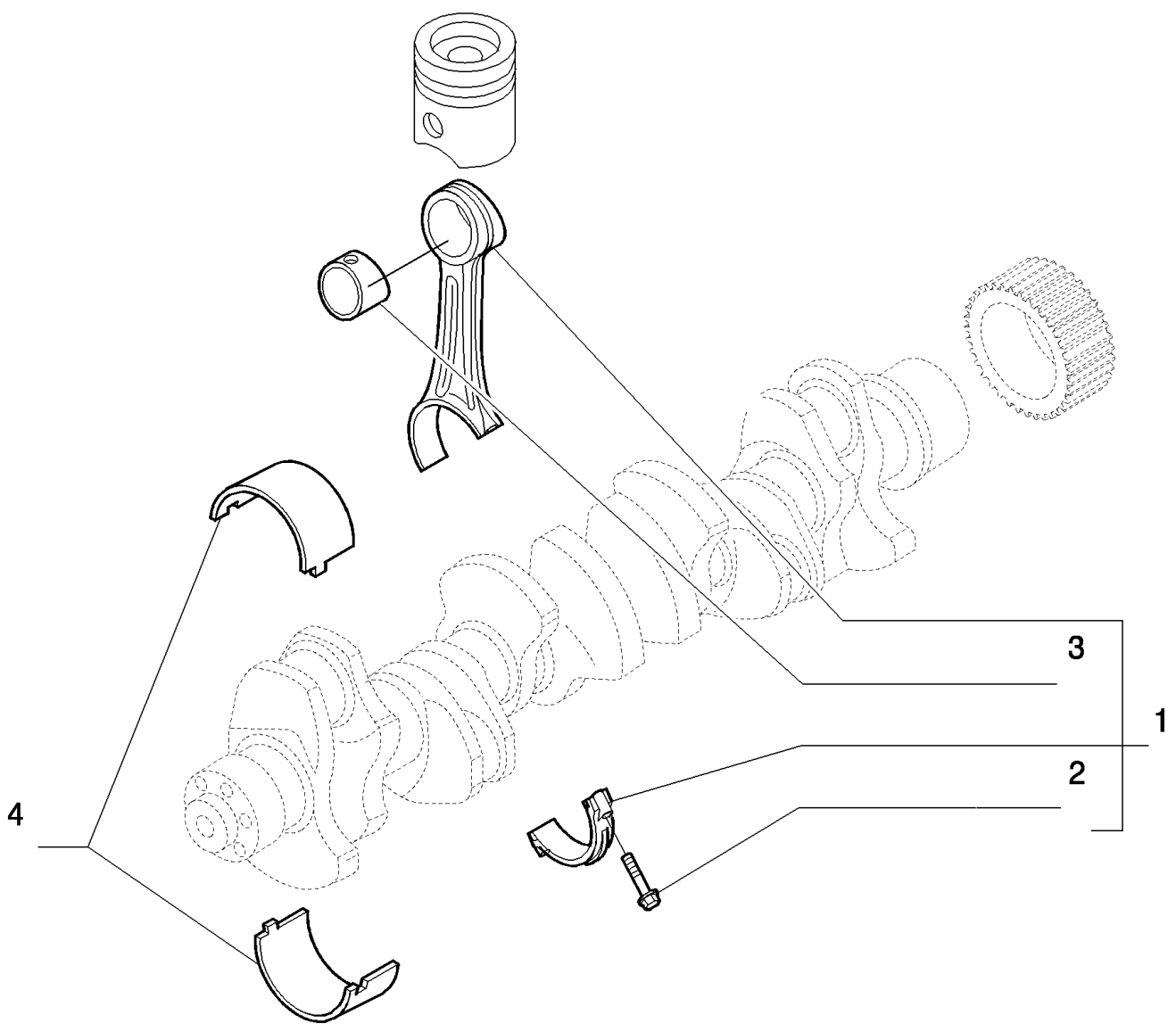
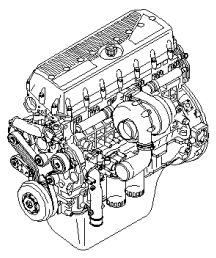
сылка	Номер детали	Кол-во	Описание
1	504046508	1	MANIFOLD, EXHAUST, , T9030 / 9040
1	504238690	1	MANIFOLD, EXHAUST, , T9050
2	16731370	2	STUD, M10X30 mm
3	99443710	2	MANIFOLD, EXHAUST, , T9030 / 9040
3	504030852	2	MANIFOLD, EXHAUST, , T9050
4	99443770	2	RING,
5	99443769	2	RING,
6	500305816	4	CLIP, HOSE,
7	504154280	6	GASKET,
8	99443210	24	SCREW,



T9040 4WD TRACTOR, ASN (8/07-) - Engine

02-35 CRANKSHAFT & RELATED PARTS, T9030 / 9040 & T9050

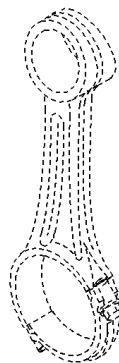
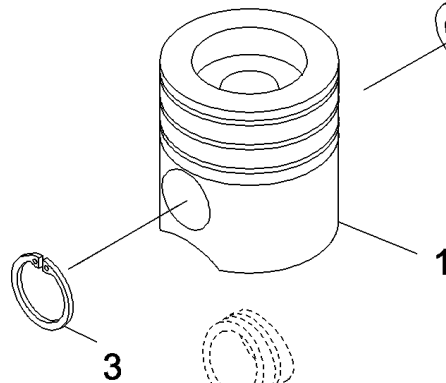
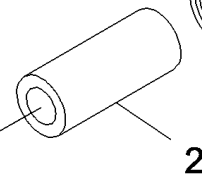
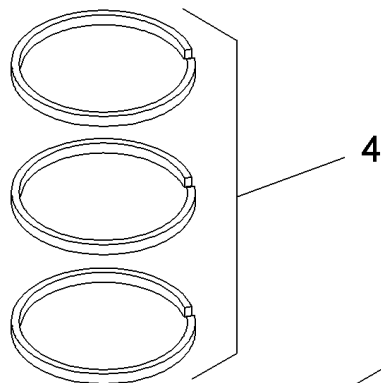
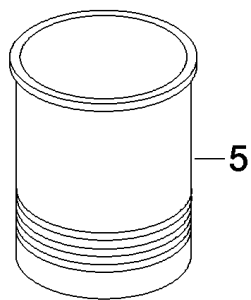
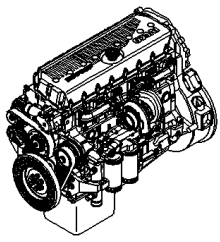
сылка	Номер детали	Кол-во	Описание
1	99438979	1	CRANKSHAFT, - ASSY., Inc. 2 & 3
2	99437423	1	GEAR, DRIVING,
3	17275410	1	DOWEL, D=8 mm
4	2992144	1	SET, THRUST WASHERS (STD), - GREEN
4	2992145	1	SET, THRUST WASHERS +0.25, - RED
4	2992146	1	SET, THRUST WASHERS +0.508, - RED
5	2992137	6	SET OF MAIN BRGS.STD, - RED
5	2992138	6	SET OF MAIN BRGS.STD, - GREEN
5	2992139	6	SET OF CONN ROD BRGS U/S, - RED BLACK 0,127
5	2992140	6	SET OF CONN ROD BRGS U/S, - GREEN BLACK 0,127
5	2992141	6	SET OF MAIN BRGS -0.254, - RED
5	2992142	6	SET OF MAIN BRGS -0.508mm, - RED
5	2992143	1	SET, THRUST WASHERS (STD), - RED



T9040 4WD TRACTOR, ASN (8/07-) - Engine

02-36 CONNECTING ROD, T9030 / 9040 & T9050

сылка	Номер детали	Кол-во	Описание
1	504028545	6	ROD, CONNECTING, Inc. 2 & 3
2	99431774	12	SCREW,
3	99460197	6	BUSHING,
4	2992158	6	SET, CONN ROD BRGS (STD), - RED
4	2992159	6	SET OF CONN ROD BRGS U/S, - GREEN
4	2992160	6	SET OF CONN ROD BRGS U/S, - RED BLACK - 0,127
4	2992161	6	SET OF CONN ROD BRGS U/S, - GREEN BLACK - 0,127
4	2992162	6	SET OF CONN ROD BRGS U/S, - RED
4	2992163	6	SET OF CONN ROD BRGS U/S, - GREEN
4	2992164	6	SET OF CONN ROD BRGS U/S, - RED
4	2992165	6	SET OF CONN ROD BRGS U/S, - GREEN
4	504020741	6	-GREEN, 0.508 mm
4	504020742	6	-RED, 0.508 mm
4	504020743	6	-GREEN, 0.254 mm
4	504020744	6	-RED, 0.254 mm



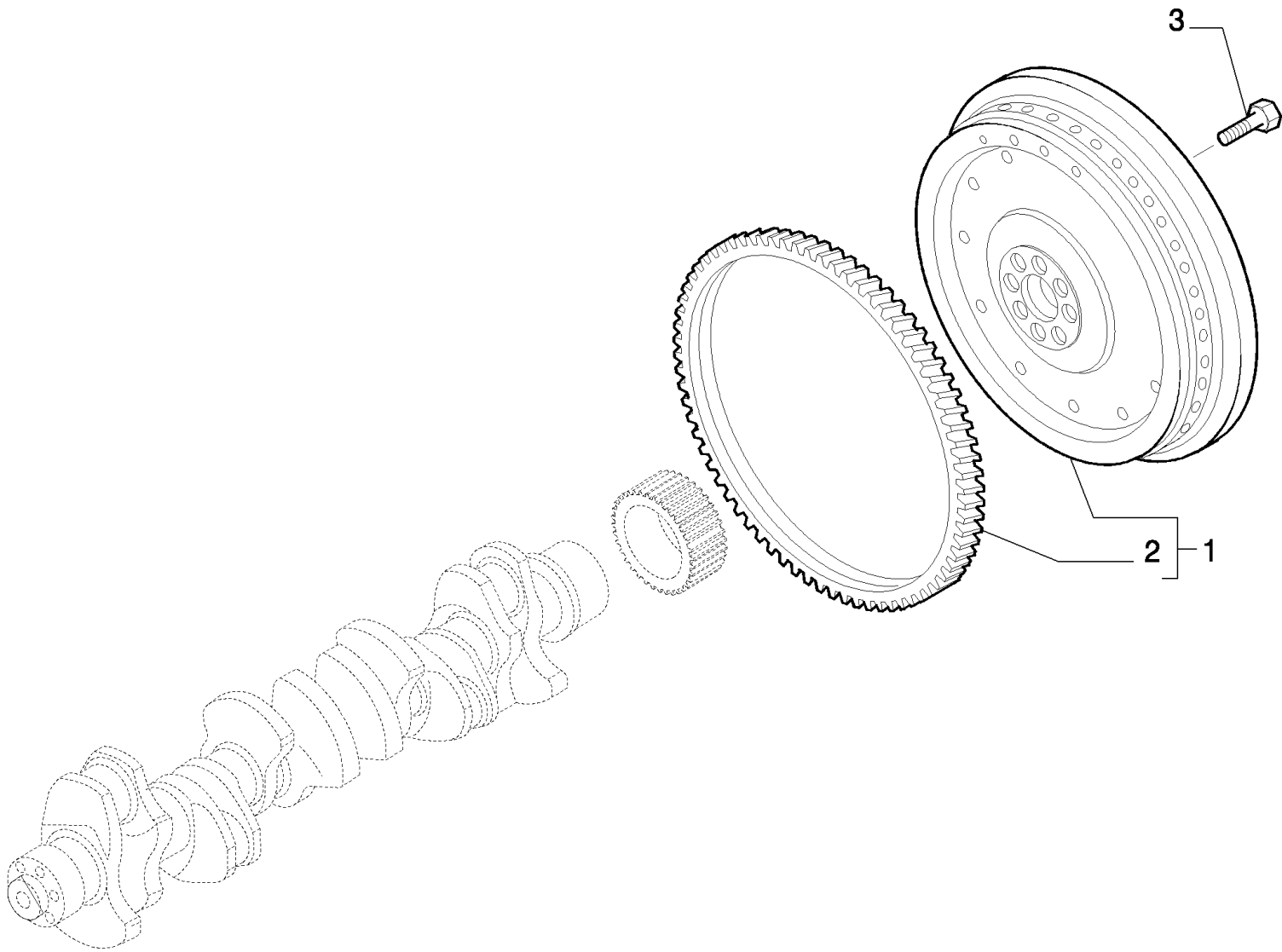
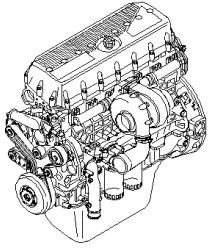
1 5



T9040 4WD TRACTOR, ASN (8/07-) - Engine

02-37 PISTON - ENGINE, T9030 / 9040 & T9050

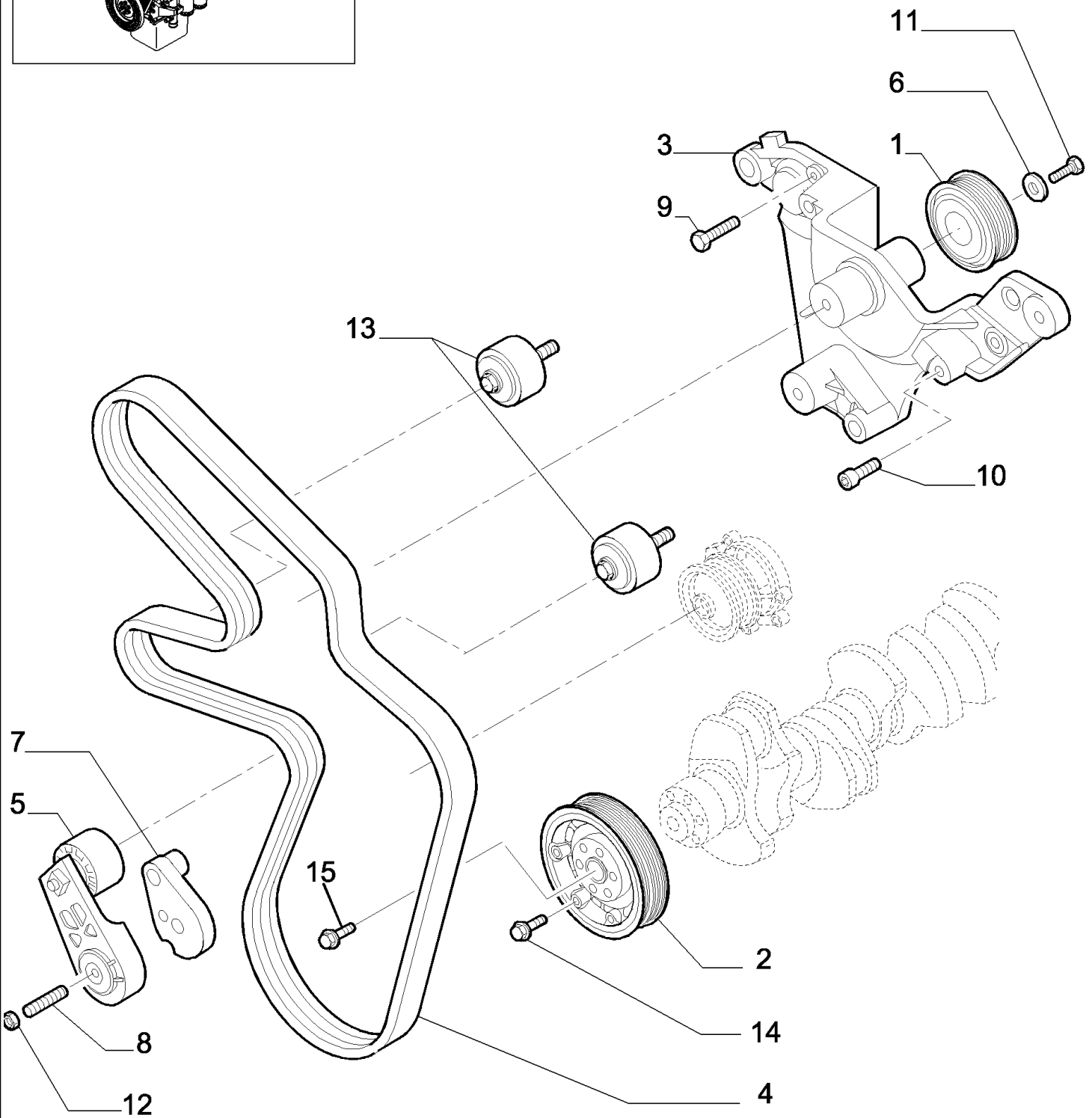
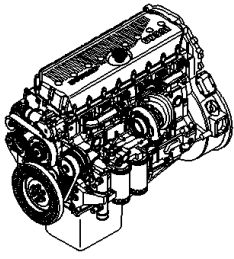
сылка	Номер детали	Кол-во	Описание
1	8094840	6	PISTON ASSY.,
2	504006110	1	PIN, PISTON,
3	16877276	2	RING, LOCKING, , T9030 / 9040
3	16877273	2	RING, , T9050
4	8094839	1	KIT, PISTON RINGS,
5	8094841	6	LINER, ENGINE CYLINDER, Piston, Inc. 1 - 4, T9050



T9040 4WD TRACTOR, ASN (8/07-) - Engine

02-38 FLYWHEEL, T9030 / 9040

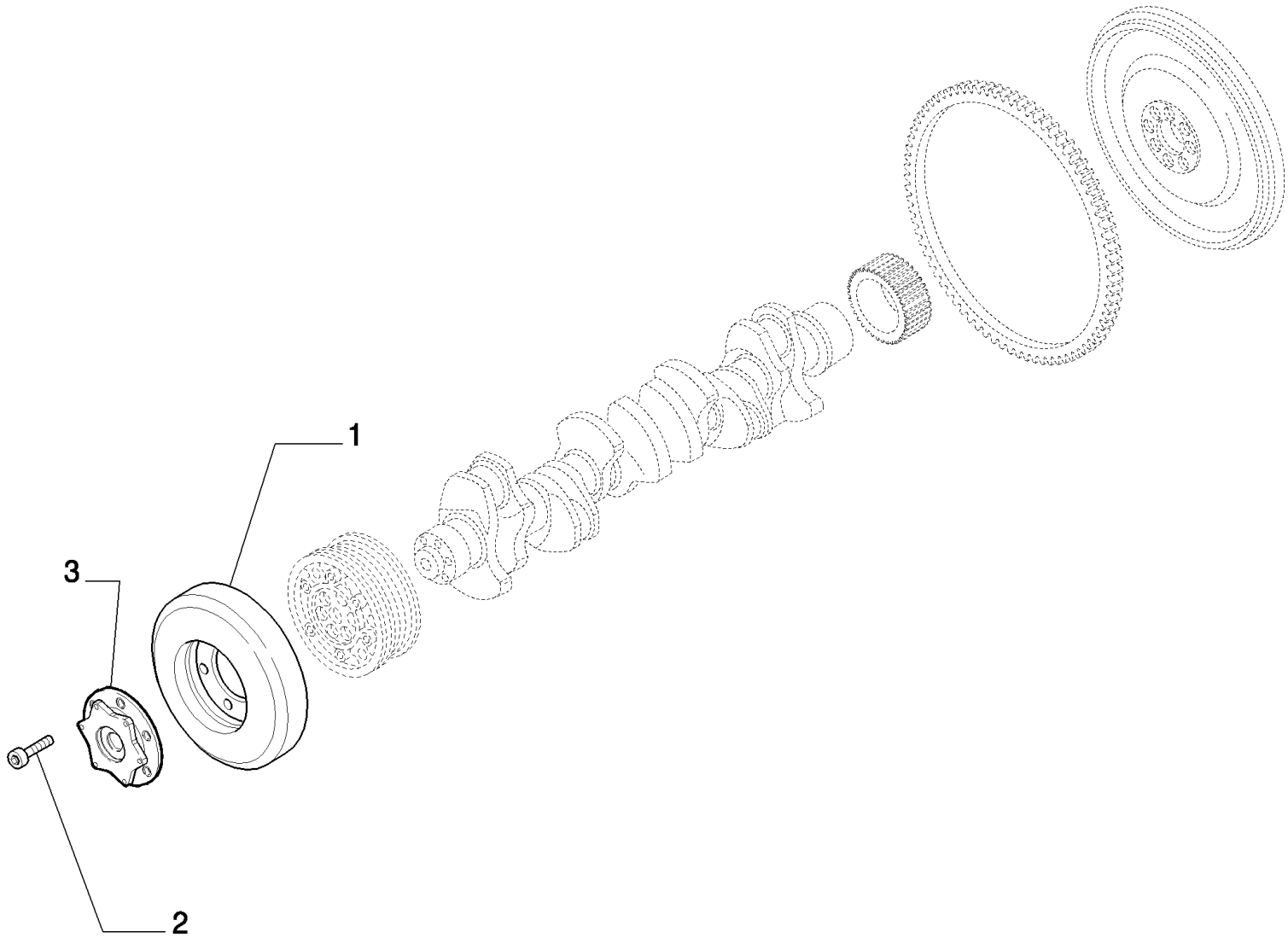
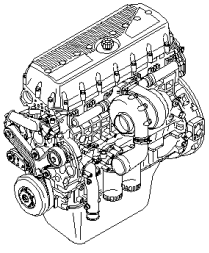
сылка	Номер детали	Кол-во	Описание
1	504095063	1	FLYWHEEL, ENGINE, - ASSY
2	99433386	1	GEAR, RING,
3	99430395	8	SCREW,



T9040 4WD TRACTOR, ASN (8/07-) - Engine

02-39 PULLEY - CRANSHAFT, T9030 / 9040 & T9050

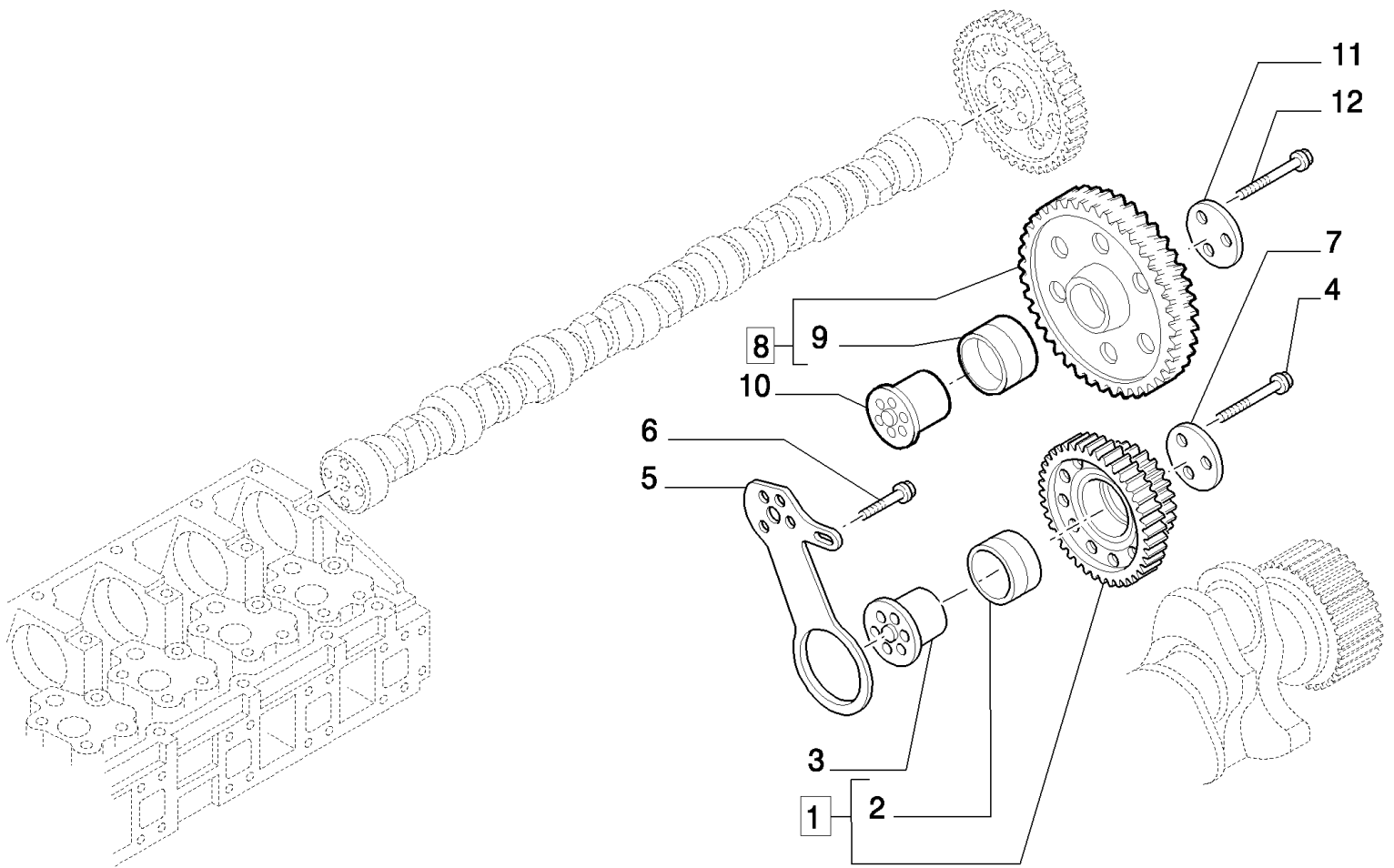
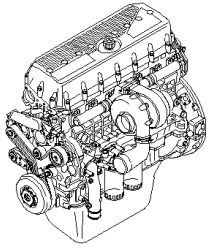
сылка	Номер детали	Кол-во	Описание
1	504079721	1	TENSIONER,
2	504104314	1	PULLEY,
3	504078323	1	BODY,
4	87282333	1	BELT,
5	504078064	1	TENSIONER, BELT,
6	504077389	1	WASHER,
7	504079738	1	SPACER,
8	504079727	1	STUD,
9	16707134	1	SCREW, M8X20, T9030 / 9040
9	16673835	1	SCREW, M8 x 30, T9050
10	16711235	5	SCREW, M10X1,25X70
11	16676635	1	SCREW, M10X1,5X60
12	16984335	1	BOLT, M10
13	504078065	2	IDLER,
14	16680935	6	SCREW, M14X70
15	16673835	1	SCREW, M8 x 30



T9040 4WD TRACTOR, ASN (8/07-) - Engine

02-40 DAMPER, T9030 / 9040 & T9050

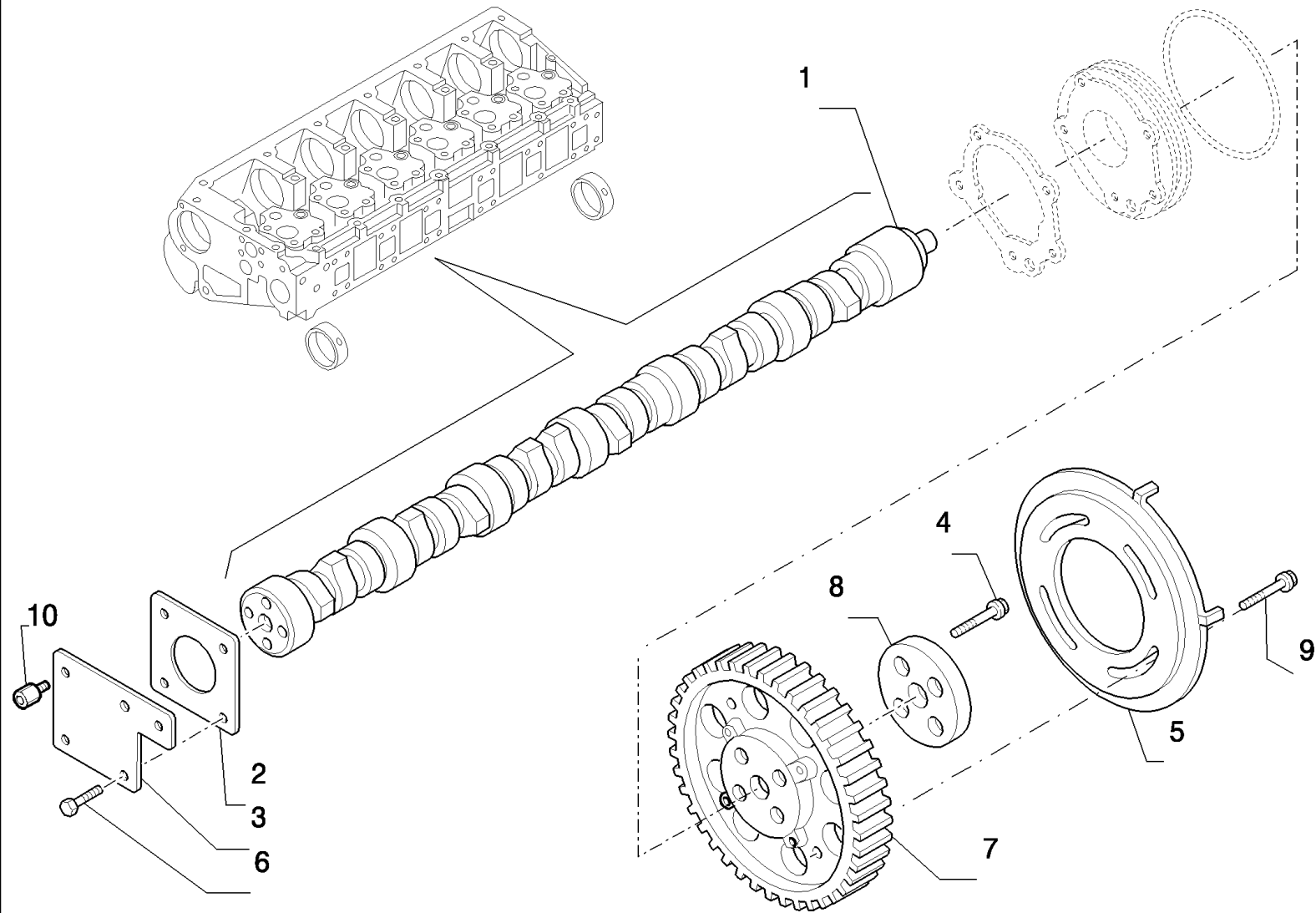
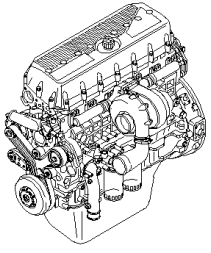
сылка	Номер детали	Кол-во	Описание
1	504105489	1	DAMPER,
2	16712534	6	SCREW, M14X50
3	504104316	1	SPACER,



T9040 4WD TRACTOR, ASN (8/07-) - Engine

02-41 INTERMEDIATE CONTROLS, T9030 / 9040

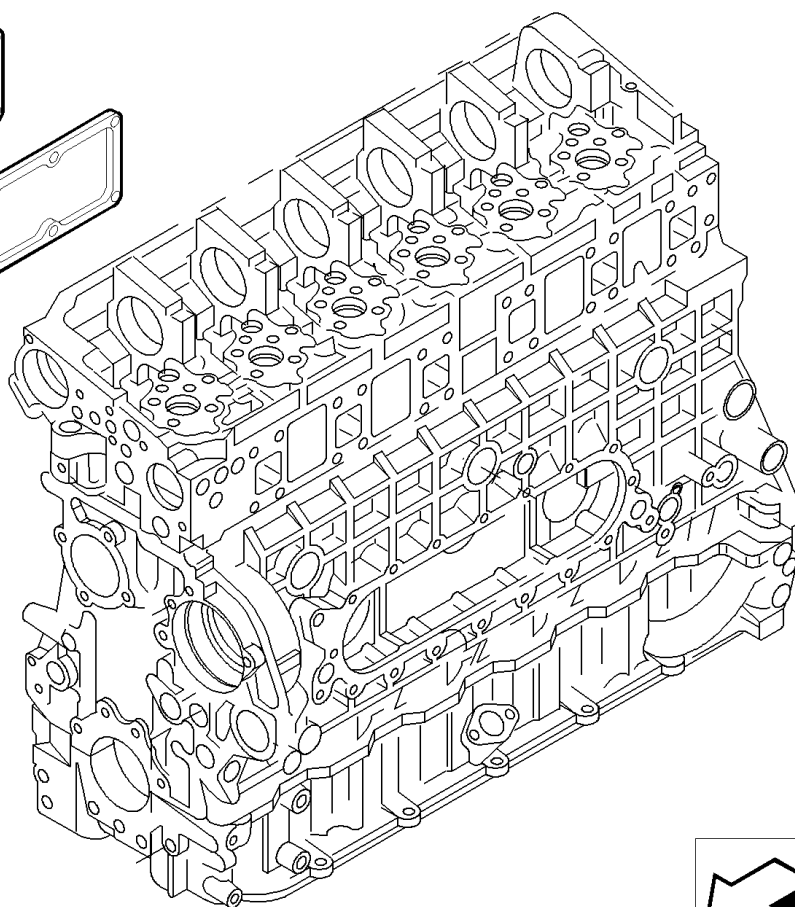
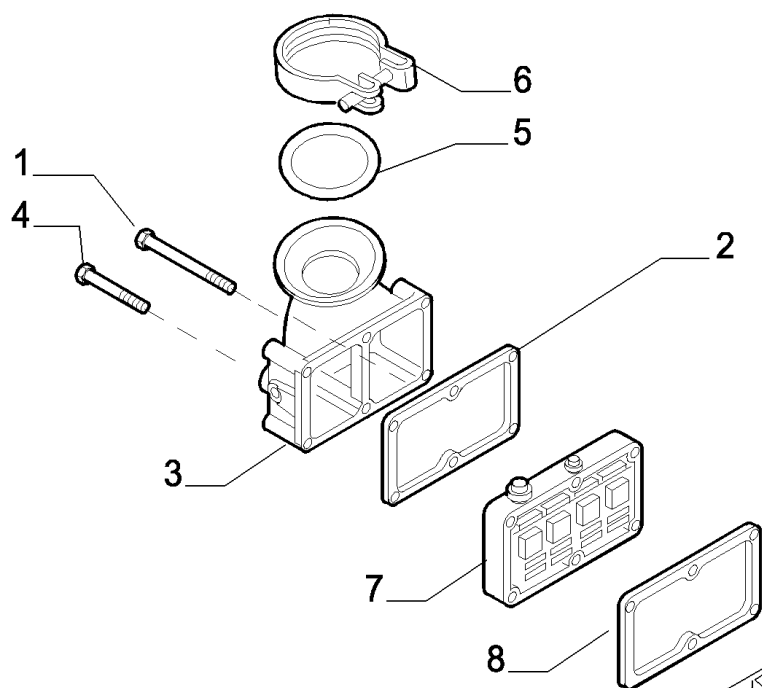
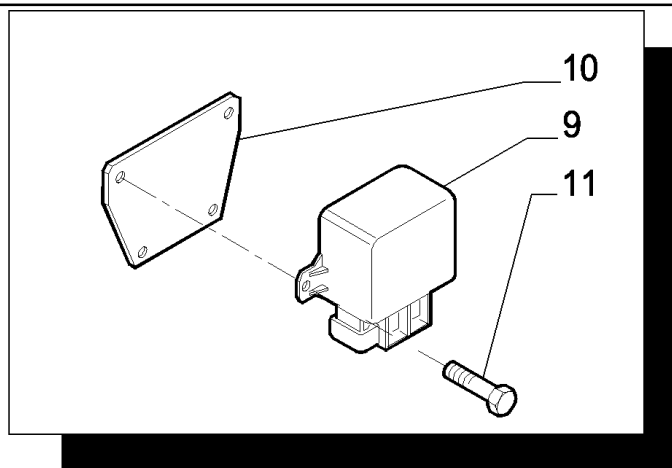
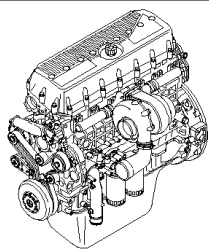
сылка	Номер детали	Кол-во	Описание
1	500339012	1	GEAR, IDLER, - ASSY
2	98475174	2	BUSHING,
3	500304182	1	PIN,
4	16679034	3	SCREW, M12X90 mm
5	500304181	1	BRACKET,
6	500356757	1	SCREW, M8X1.25X16 mm
7	500305012	1	WASHER, LOCK,
8	500304189	1	GEAR,
9	500304204	1	BUSHING,
10	500304187	1	PIN,
11	500305013	1	RING, LOCKING,
12	16679134	3	SCREW,



T9040 4WD TRACTOR, ASN (8/07-) - Engine

02-43 CAMSHAFT, T9030 / 9040

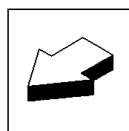
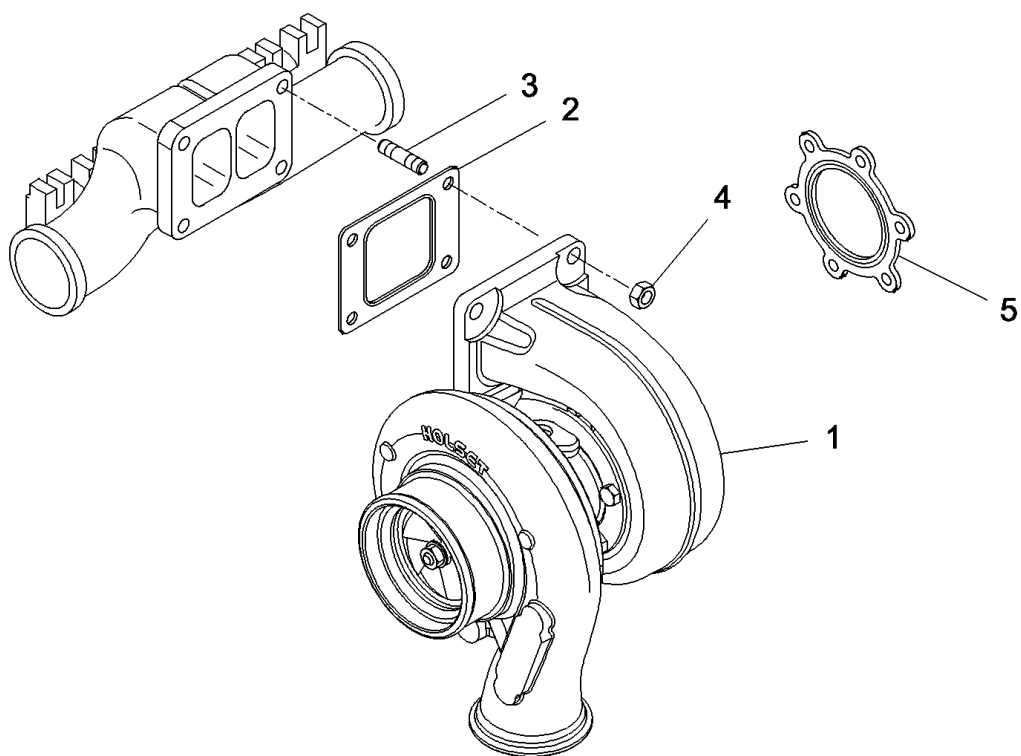
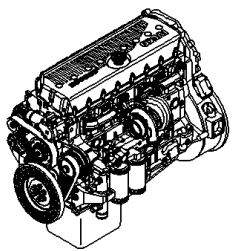
сылка	Номер детали	Кол-во	Описание
1	504092859	1	CAMSHAFT,
2	500370033	1	GASKET,
3	500370032	1	COVER,
4	99431774	4	SCREW, M14X2X60
5	500336396	1	PLATE, M8X1.25X25 mm
6	16587124	6	SCREW, M10X25 mm
7	99450035	1	GEAR,
8	98496024	1	SPACER,
9	500397562	4	SCREW, M6X17
10	504093610	1	SCREW, M10X1,5



T9040 4WD TRACTOR, ASN (8/07-) - Engine

02-45 INTAKE MANIFOLD, T9030 / 9040 & T9050

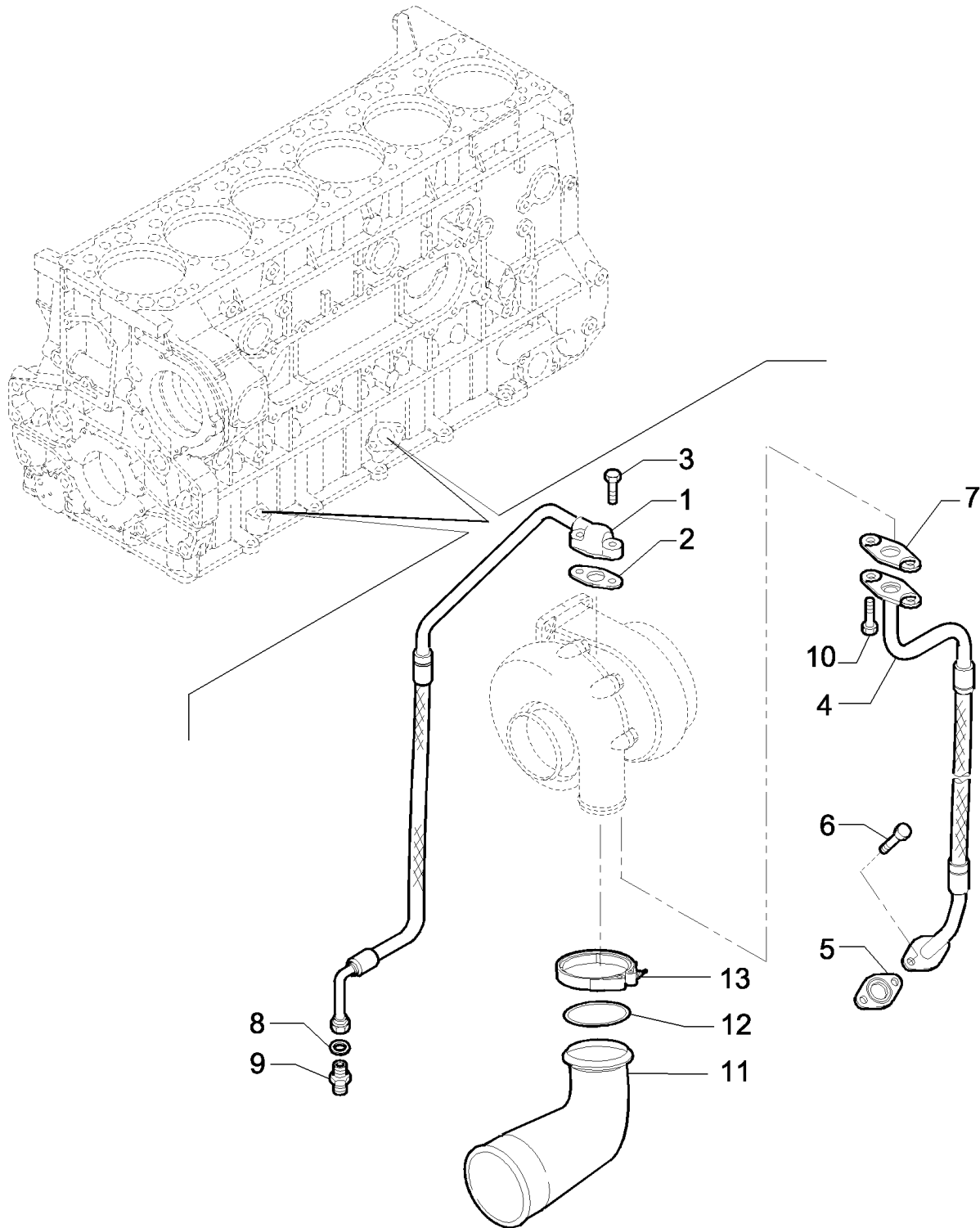
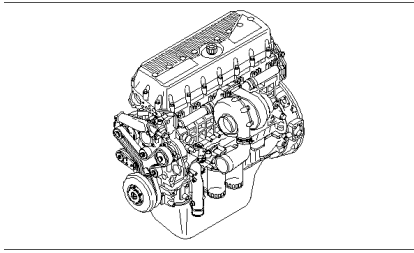
сылка	Номер детали	Кол-во	Описание
1	16599325	5	SCREW, M10X150 mm
2	504026624	1	GASKET,
3	504074687	1	MANIFOLD, Intake Elbow
4	16593125	1	SCREW, M10X100mm
5	17291281	1	GASKET, 94,84X3,53
6	99435103	1	COLLAR CLAMP,
7	504154987	1	HEATER, Grid
8	504026624	1	GASKET, Grid Heater
9	500343161	1	RELAY, Grid Heater
10	504031939	1	BRACKET, Relay Mounting
11	18137825	4	SCREW,



T9040 4WD TRACTOR, ASN (8/07-) - Engine

02-46 TURBOCHARGER MOUNTING, T9030 / 9040 & T9050

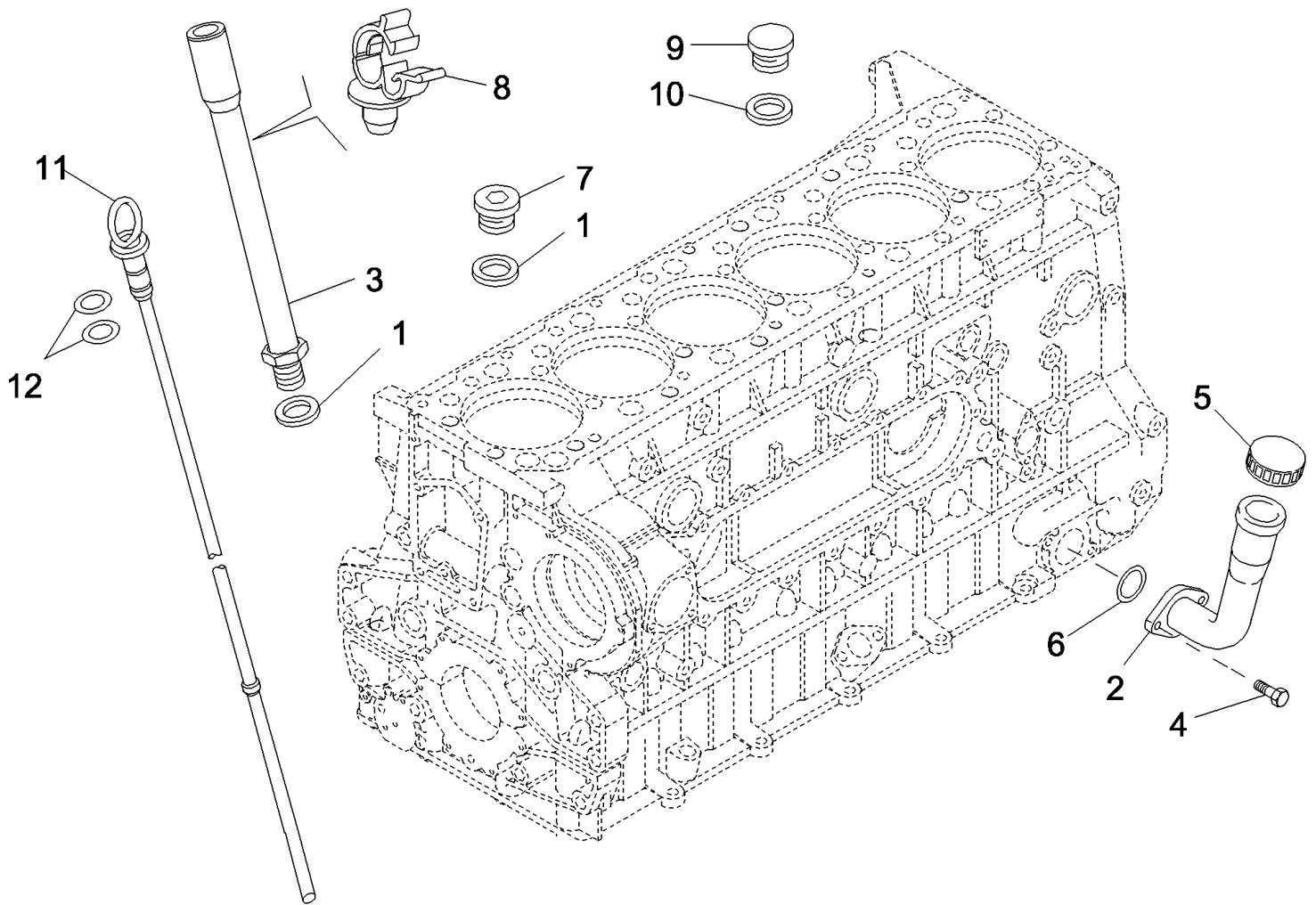
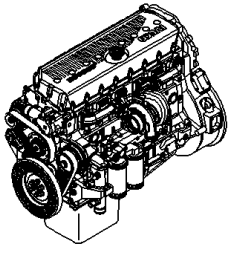
сылка	Номер детали	Кол-во	Описание
1	504095094	1	TURBOCHARGER, , T9030 / 9040
1	504171476	1	TURBOCHARGER, , T9050
2	98453300	1	GASKET,
3	16731370	2	STUD, M10X30 mm
4	500300795	4	NUT, M10X1.5
5	500387050	1	GASKET, , T9050



T9040 4WD TRACTOR, ASN (8/07-) - Engine

02-48 TURBOBLOWER PIPES, T9030 / 9040

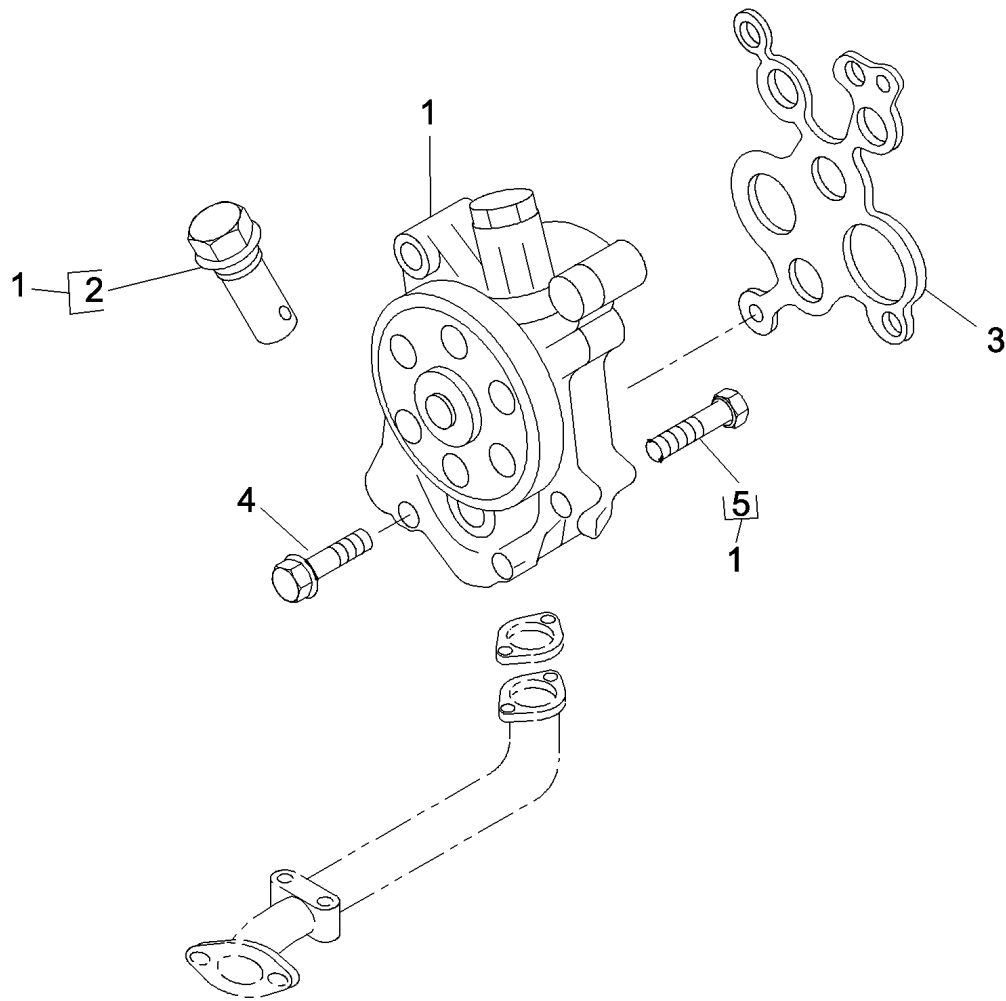
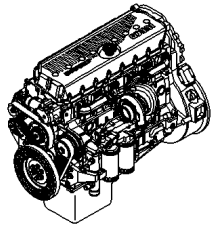
сылка	Номер детали	Кол-во	Описание
1	504039847	1	
2	61318303	1	GASKET,
3	16586625	2	SCREW, M8X35 mm
4	504102835	1	TUBE, RIGID,
5	99475979	1	GASKET,
6	16586325	2	SCREW, M8X1.25X20 mm
7	98412509	1	GASKET,
8	99489019	1	WASHER, SEALING,
9	41031569	1	FITTING,
10	16586425	2	SCREW, M8X25
11	61318365	1	ELBOW,
12	17284681	1	GASKET,
13	4800661	1	CLAMP, HOSE,



T9040 4WD TRACTOR, ASN (8/07-) - Engine

02-52 OIL DIPSTICK, T9030 / 9040

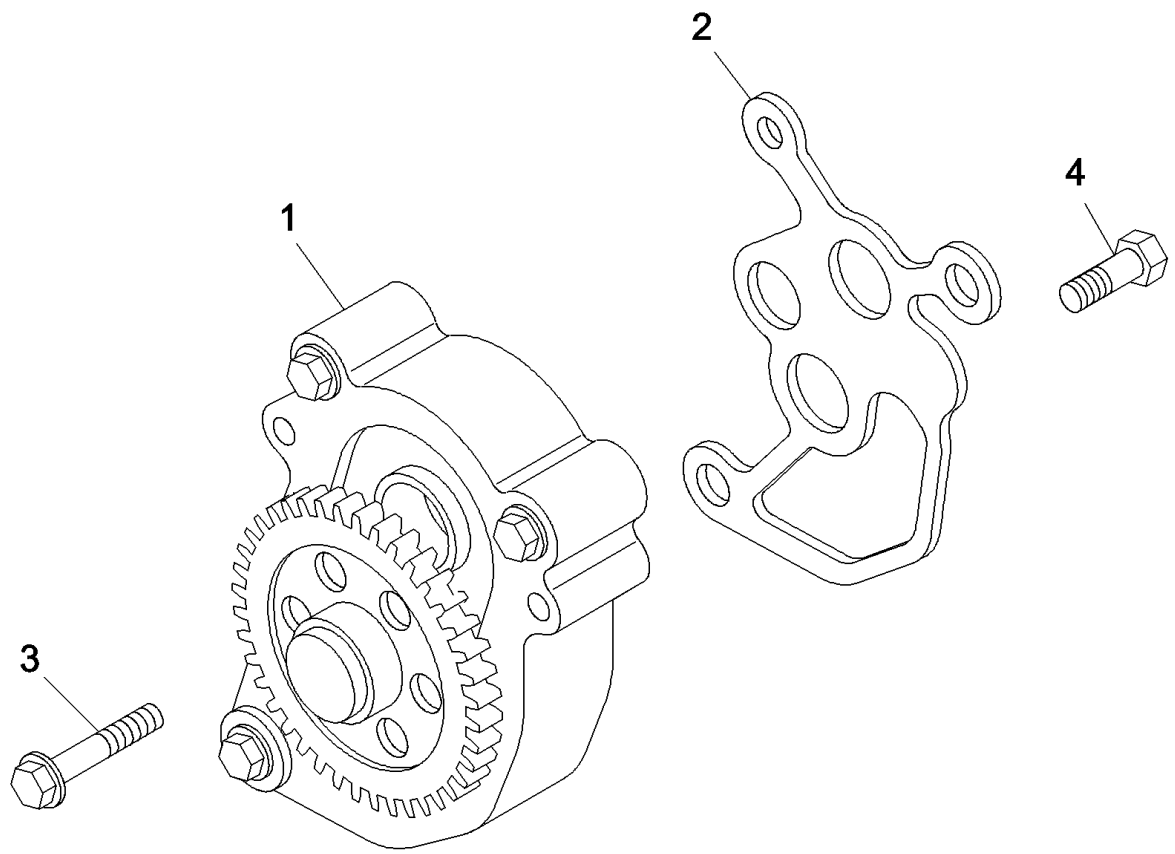
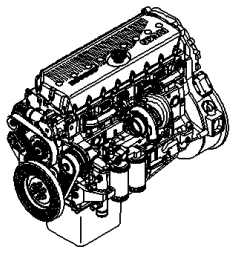
сылка	Номер детали	Кол-во	Описание
1	99489020	2	WASHER, SEALING,
2	504162598	1	NECK FILLER, Oil
3	504124643	1	PIPE, Dipstick
4	16691324	2	SCREW, M8 x 60
5	98429552	1	CAP,
6	17283181	1	O-RING, D=37.77 x 2.62 mm
7	16992515	1	PLUG, M18 x 5
8	500349848	1	CLAMP,
9	11903211	1	PLUG, M12 x 1.25 x 12, CI5.8,
10	99489017	1	GASKET,
11	504124642	1	DIPSTICK,
12	504027969	1	SEALRING,



T9040 4WD TRACTOR, ASN (8/07-) - Engine

02-54 PUMP, ENGINE OIL & RELATED PARTS, T9030 / 9040 & T9050

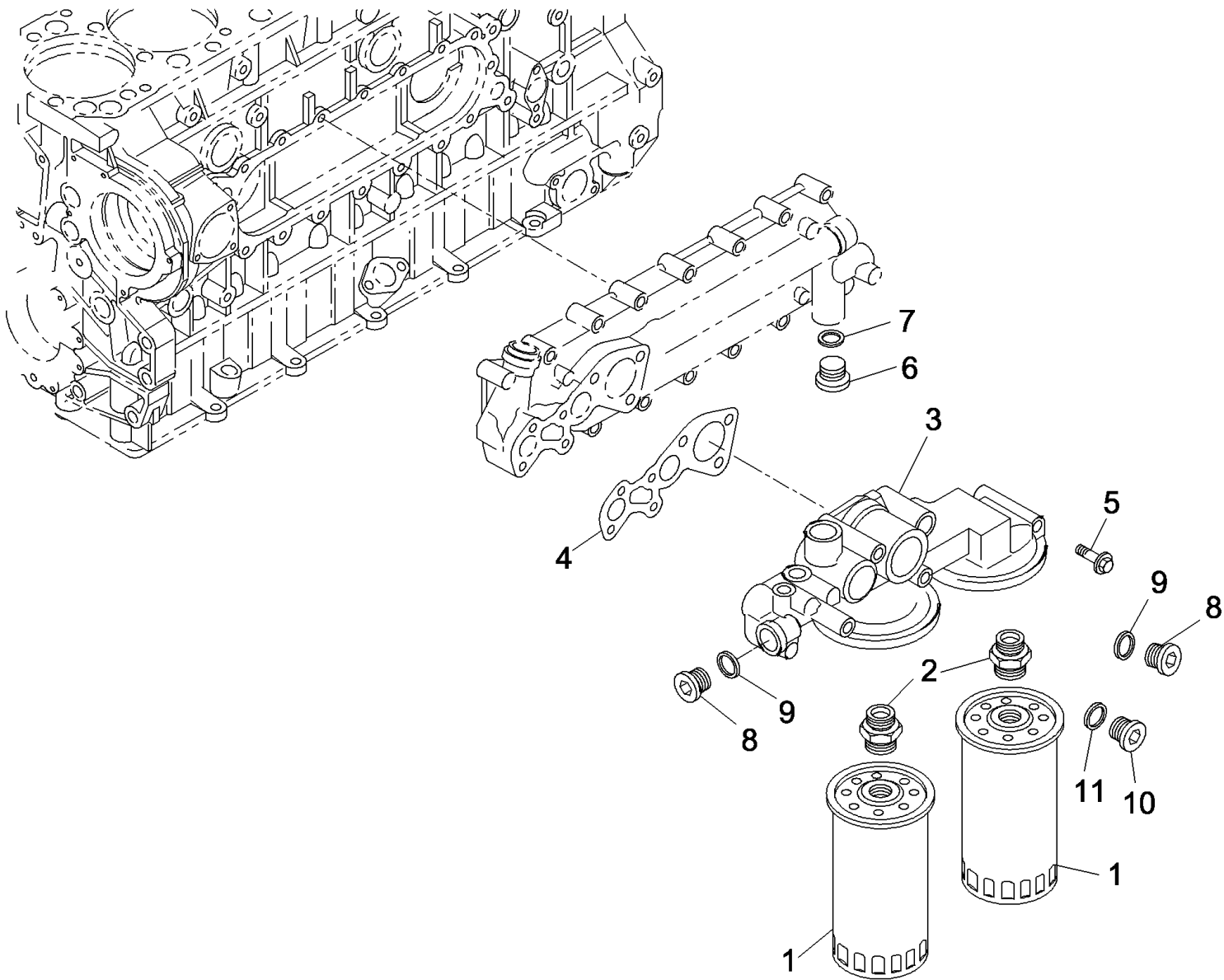
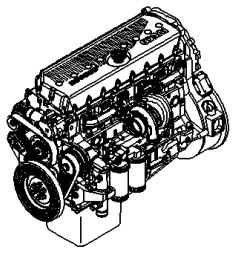
сылка	Номер детали	Кол-во	Описание
1	504149656	1	PUMP, ENGINE OIL,
2	500359679	1	VALVE, SAFETY,
3	99452273	1	GASKET,
4	16592525	3	SCREW, M8X70
4	16586625	1	SCREW, M8X35
5	16691024	3	SCREW, M8 x 45



T9040 4WD TRACTOR, ASN (8/07-) - Engine

02-55 AUXILIARY PUMP, ENGINE OIL & RELATED PARTS, T9030 / 9040 & T9050

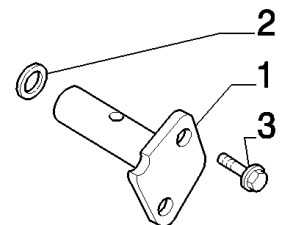
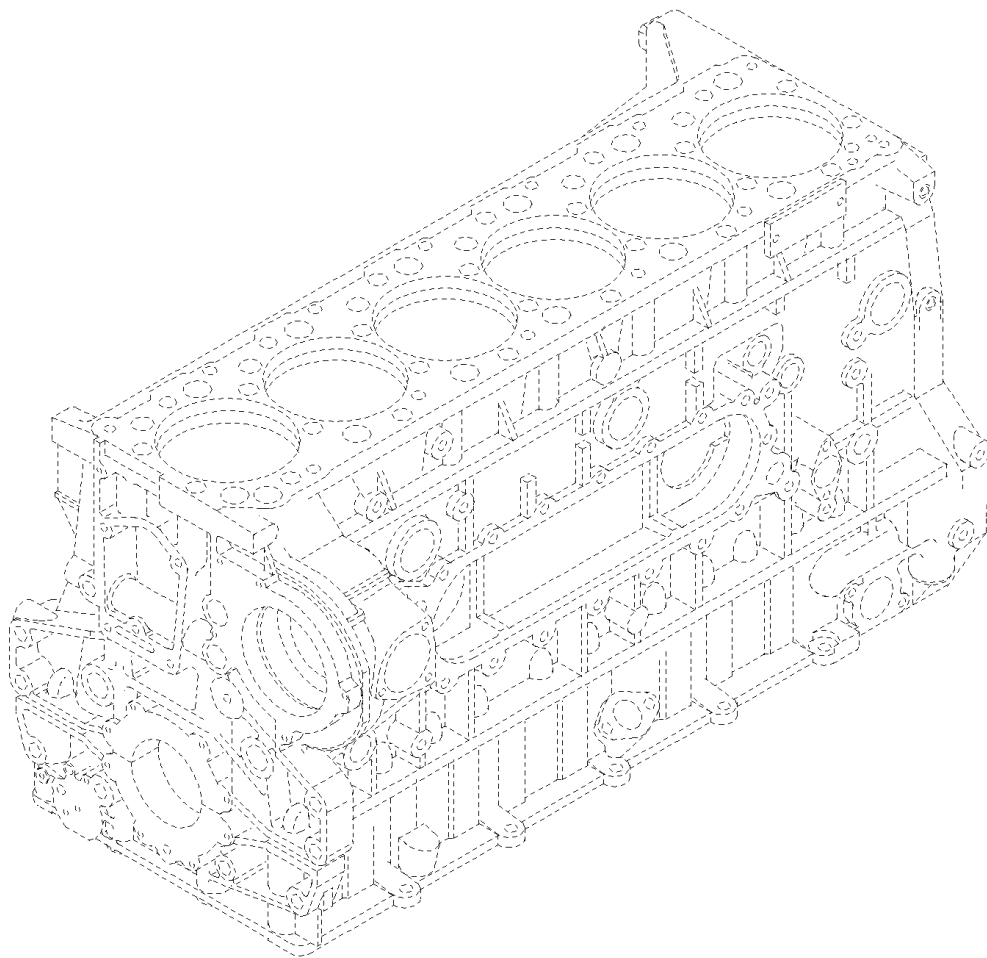
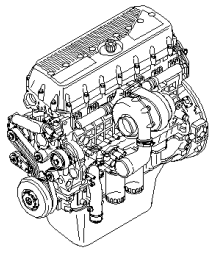
сылка	Номер детали	Кол-во	Описание
1	504155933	1	PUMP, ENGINE OIL, Inc. 4
2	500387958	1	GASKET,
3	16592425	1	SCREW, M8X65
3	16286724	3	M8X40
4	16586725	1	SCREW, M8 x 40



T9040 4WD TRACTOR, ASN (8/07-) - Engine

02-56 FILTER ENGINE OIL, T9030 / 9040 & T9050

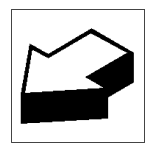
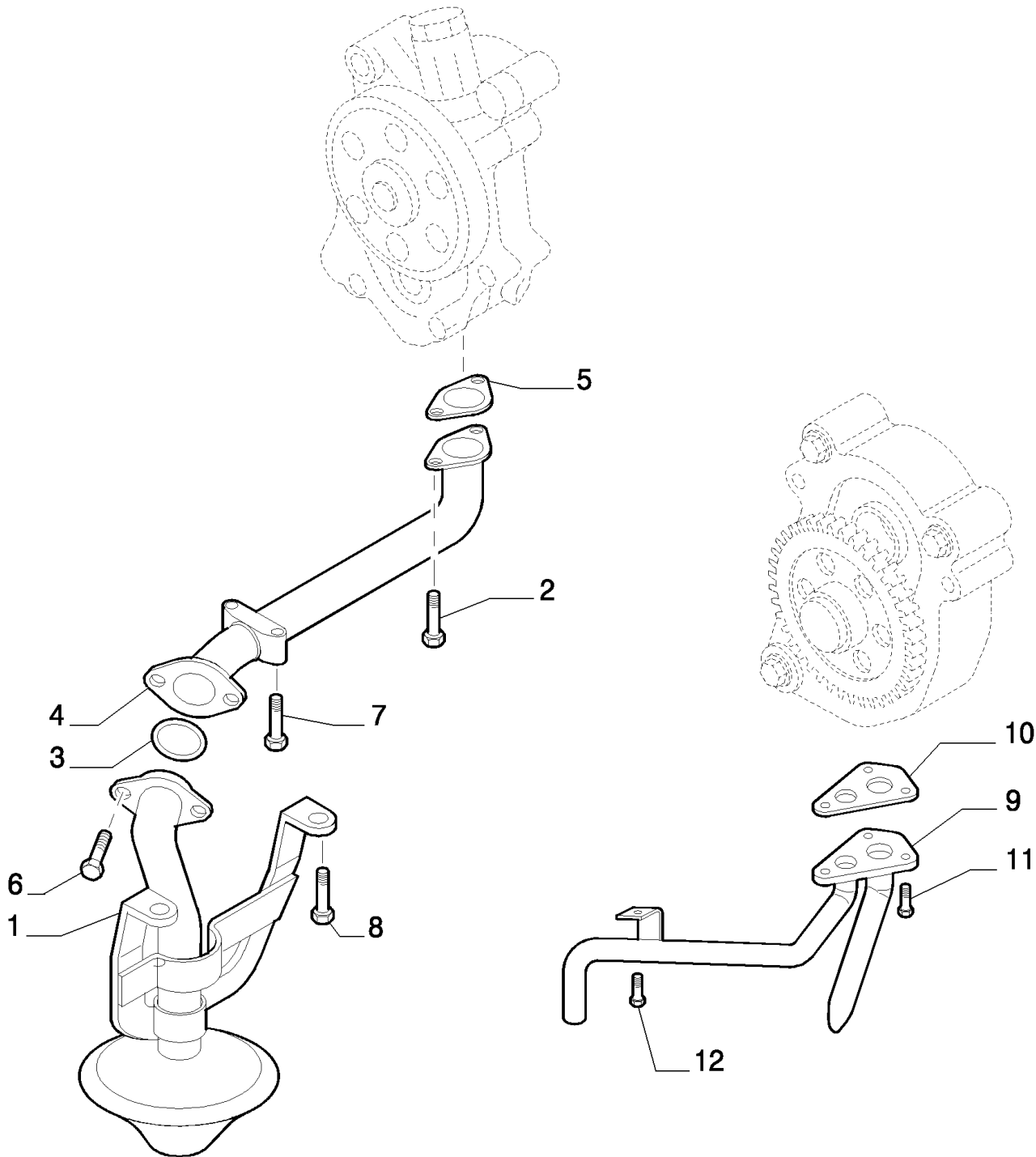
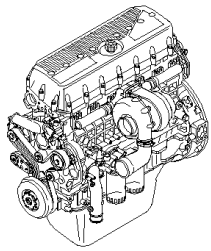
сылка	Номер детали	Кол-во	Описание
1	504082382	2	FILTER, ENGINE OIL,
2	99431947	2	CONNECTOR, HYD., M30X20 mm
3	504066210	1	HEAD,
4	504015752	1	GASKET,
5	16592325	4	SCREW, M8X40
5	504064190	2	SCREW,
6	16993711	1	PLUG, M35X1.5
7	99469380	1	WASHER, SEALING,
8	16993611	2	PLUG, M32X1.5
9	99469379	2	WASHER, LOCK,
10	16994011	1	PLUG, M24X1.5
11	99489023	1	WASHER, LOCK,



T9040 4WD TRACTOR, ASN (8/07-) - Engine

02-57 OIL PRESSURE REGULATION VALVE, T9030 / 9040 & T9050

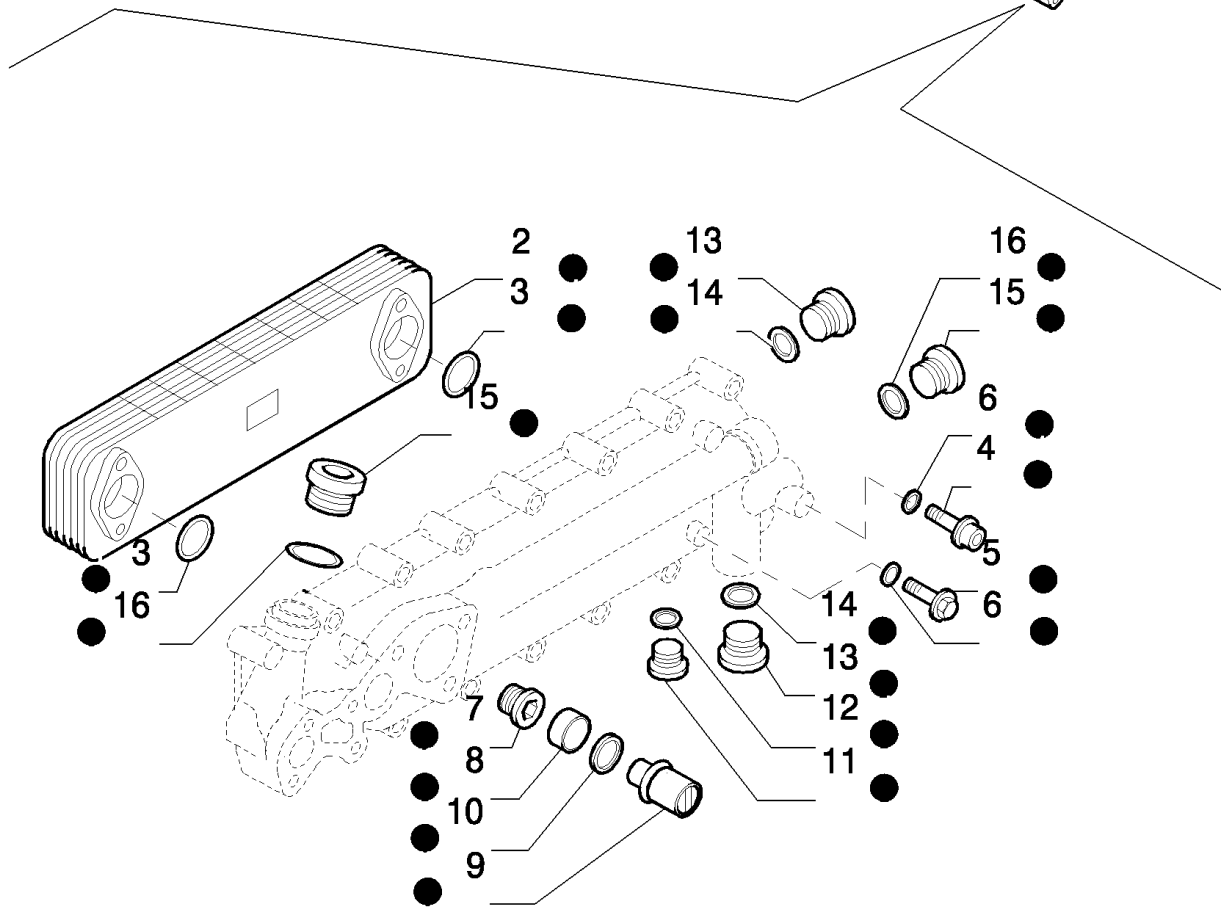
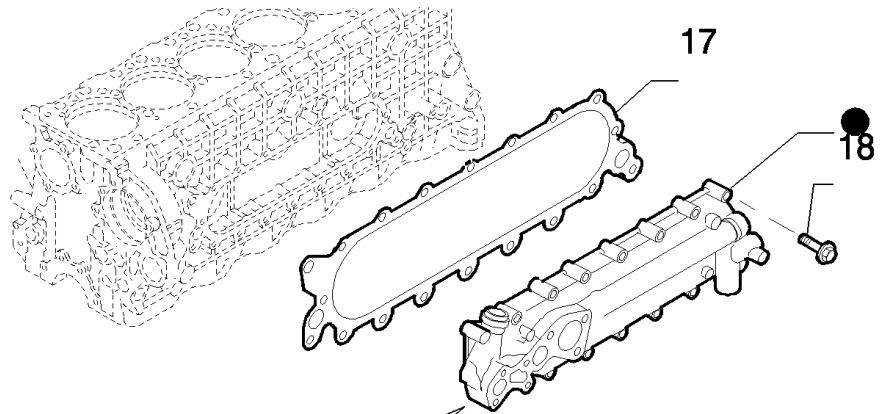
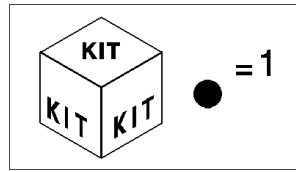
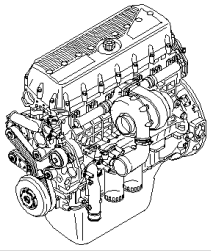
сылка	Номер детали	Кол-во	Описание
1	500378929	1	VALVE,
2	17288881	1	GASKET, D=28.1X3.5 mm
3	16586325	2	SCREW, M8X1.25X20 mm



T9040 4WD TRACTOR, ASN (8/07-) - Engine

02-58 OIL PUMP PIPING, T9030 / 9040 & T9050

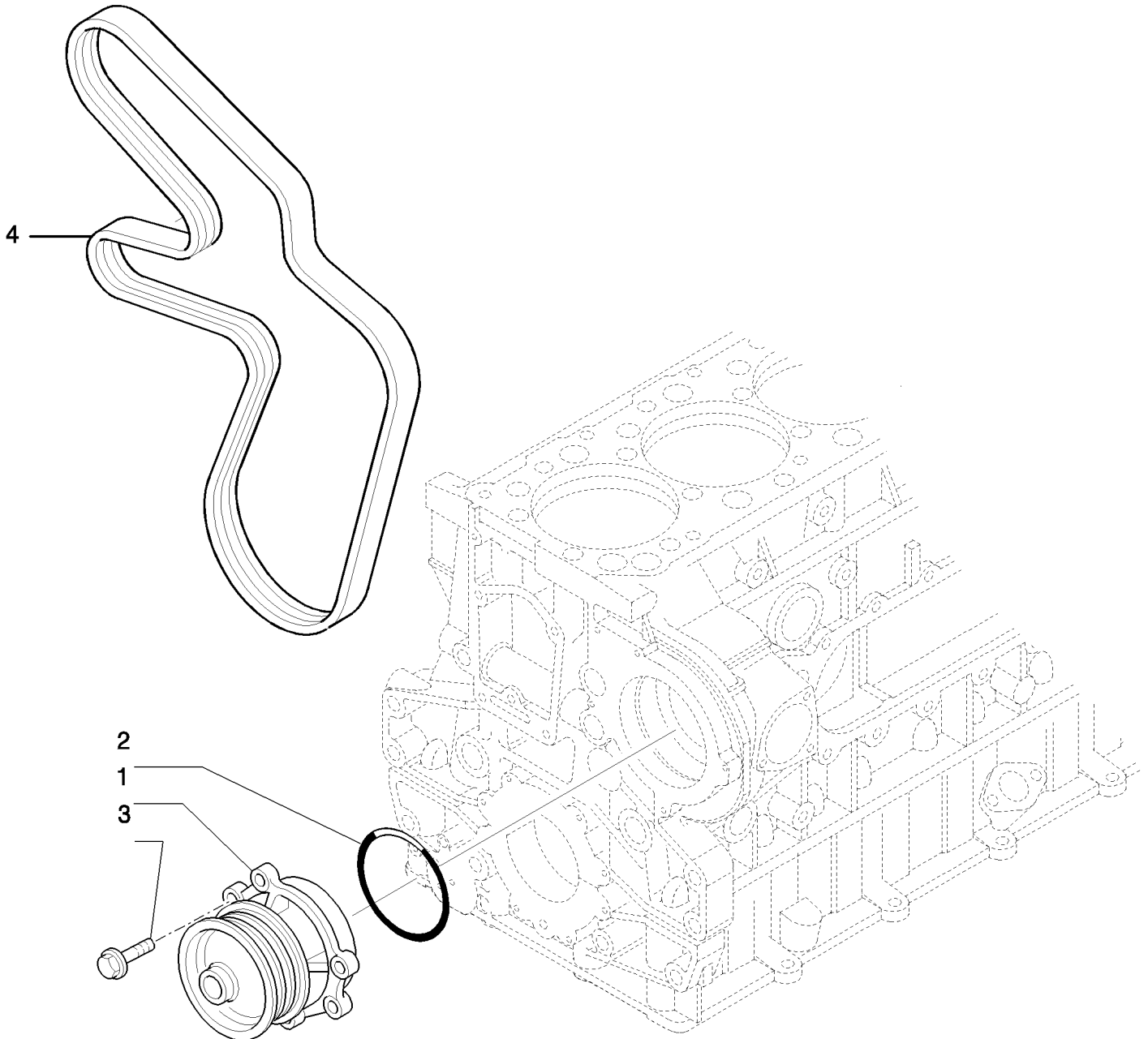
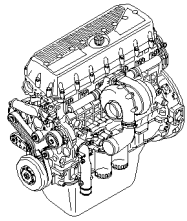
сылка	Номер детали	Кол-во	Описание
1	99475585	1	STRAINER, ELEMENT, Oil Pump
2	16592225	2	SCREW, M8X55 mm
3	17289481	1	O-RING, D=37.69 X3,53 mm
4	99475589	1	TUBE, RIGID,
5	500343518	1	GASKET, Oil Pump
6	16586225	2	SCREW, M8X1,25X16 mm
7	16592525	2	SCREW, M8X70 mm
8	16673834	2	SCREW, M8X30 mm
9	500388917	1	TUBE, Auxiliary Oil Pump
10	500388968	1	SEAL, Auxiliary Oil Pump
11	16586325	3	SCREW, M8X1,25X20
12	16597925	1	SCREW, M8X14



T9040 4WD TRACTOR, ASN (8/07-) - Engine

02-59 HEAT EXCHANGER, T9030 / 9040 & T9050

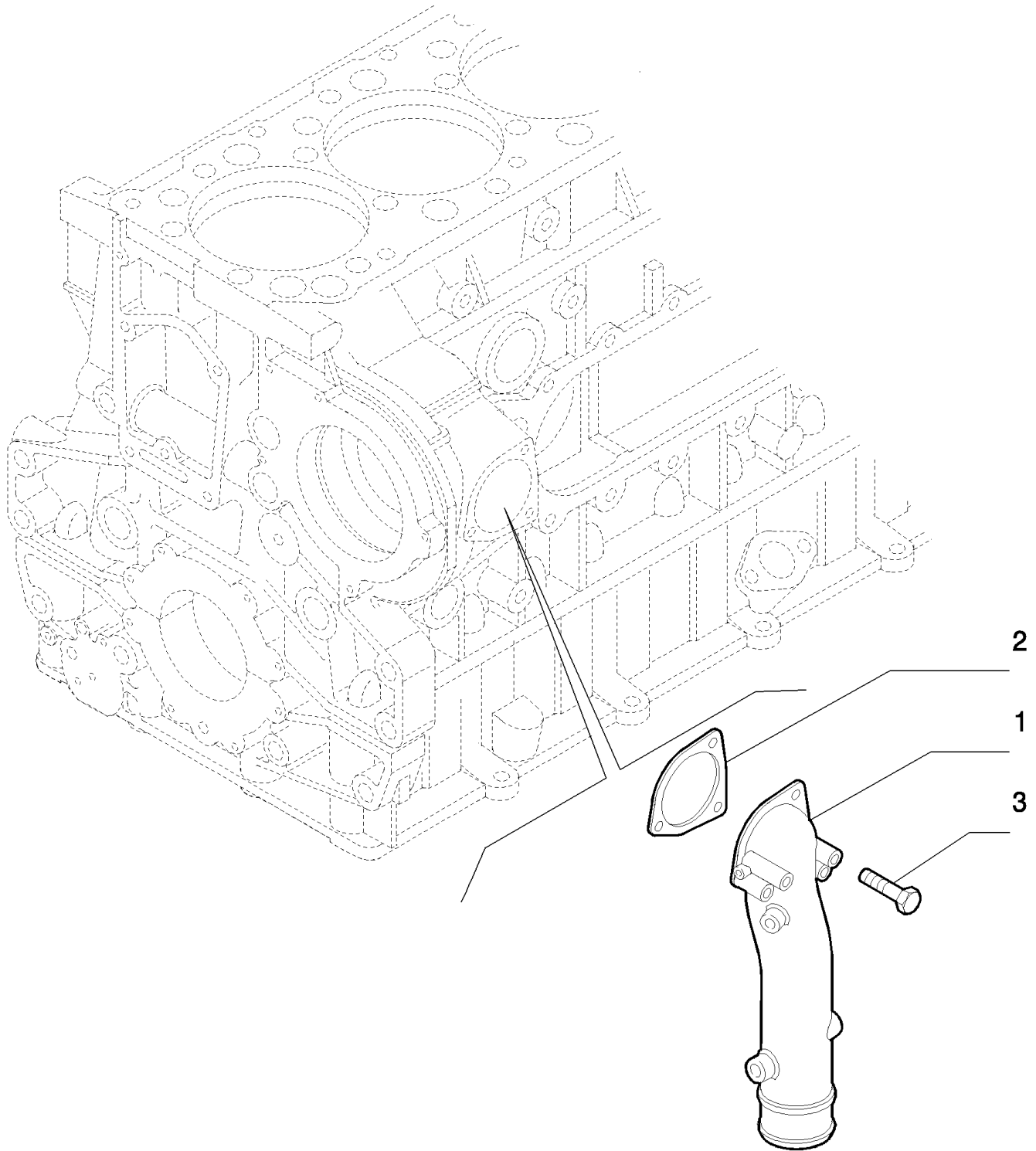
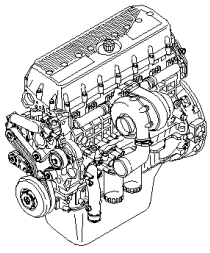
сылка	Номер детали	Кол-во	Описание
1	504123494	1	COOLER, OIL, - ASSY, T9030 / 9040
1	504106451	1	HEAT EXCHANGER, , T9050
2	98498467	1	INTERNAL EXCHANGER UNIT,
3	17283581	2	O-RING, D=44.12X2.62 mm
4	16586625	3	SCREW, M8X35
5	16586925	1	SCREW, M8X50
6	98474303	4	WASHER, SEALING,
7	99433799	1	PLUG, M32
8	99433798	1	SPACER,
9	98498322	1	VALVE, HYDRAULIC,
10	98494952	1	GASKET, M35
11	16992415	1	PLUG, M16X1.5
12	99489019	1	WASHER, SEALING, D=6X24X1.5 mm
13	16993711	2	PLUG, M35X1.5
14	99469380	2	WASHER, SEALING, D=33 mm
15	16993511	2	PLUG, M28X1.5
16	99432291	2	WASHER, SEALING, D=28 mm
17	98497873	1	GASKET, Engine, T9030 / 9040
17	504045796	1	SEAL, Engine, T9050
18	16586725	11	SCREW, M8X40
18	16598224	2	SCREW, M8X190
18	16586925	1	SCREW, M8X50
18	504064192	2	SCREW,
18	16586425	3	SCREW, M8X25 , T9030 / 9040
18	16673735	3	SCREW, M8 x 25, T9050



T9040 4WD TRACTOR, ASN (8/07-) - Engine

02-60 WATER PUMP & RELATED PARTS, T9030 / 9040 & T9050

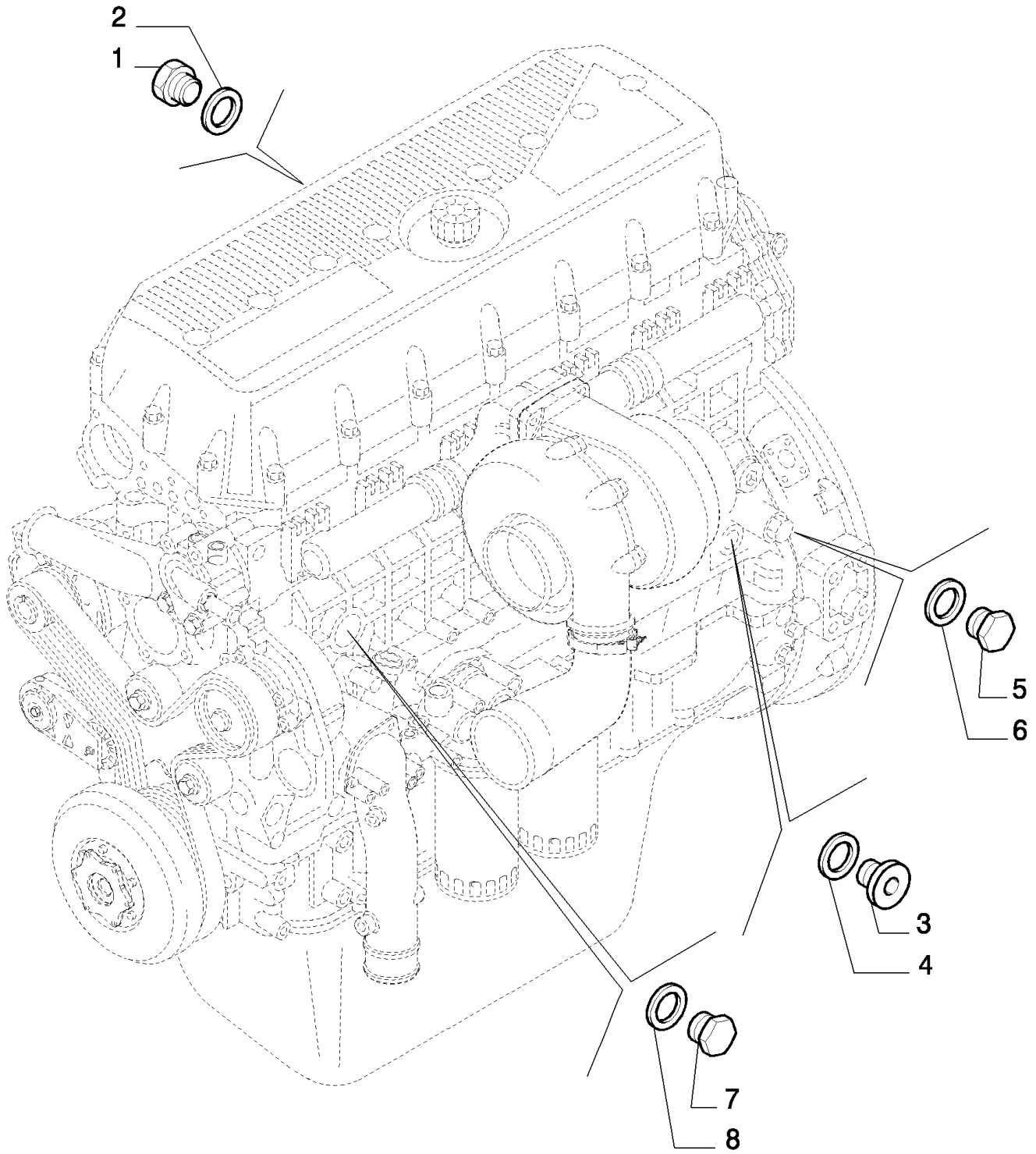
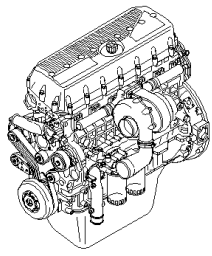
сылка	Номер детали	Кол-во	Описание
1	504102491	1	PUMP, WATER,
2	17292081	1	GASKET, D=120.24 mm
3	16586325	4	SCREW, M8X1.25X20 mm
4	87282333	1	BELT, Accessory Drive, Alternator, Water Pump, & A/C



T9040 4WD TRACTOR, ASN (8/07-) - Engine

02-61 WATER PUMP PIPES, T9030 / 9040 & T9050

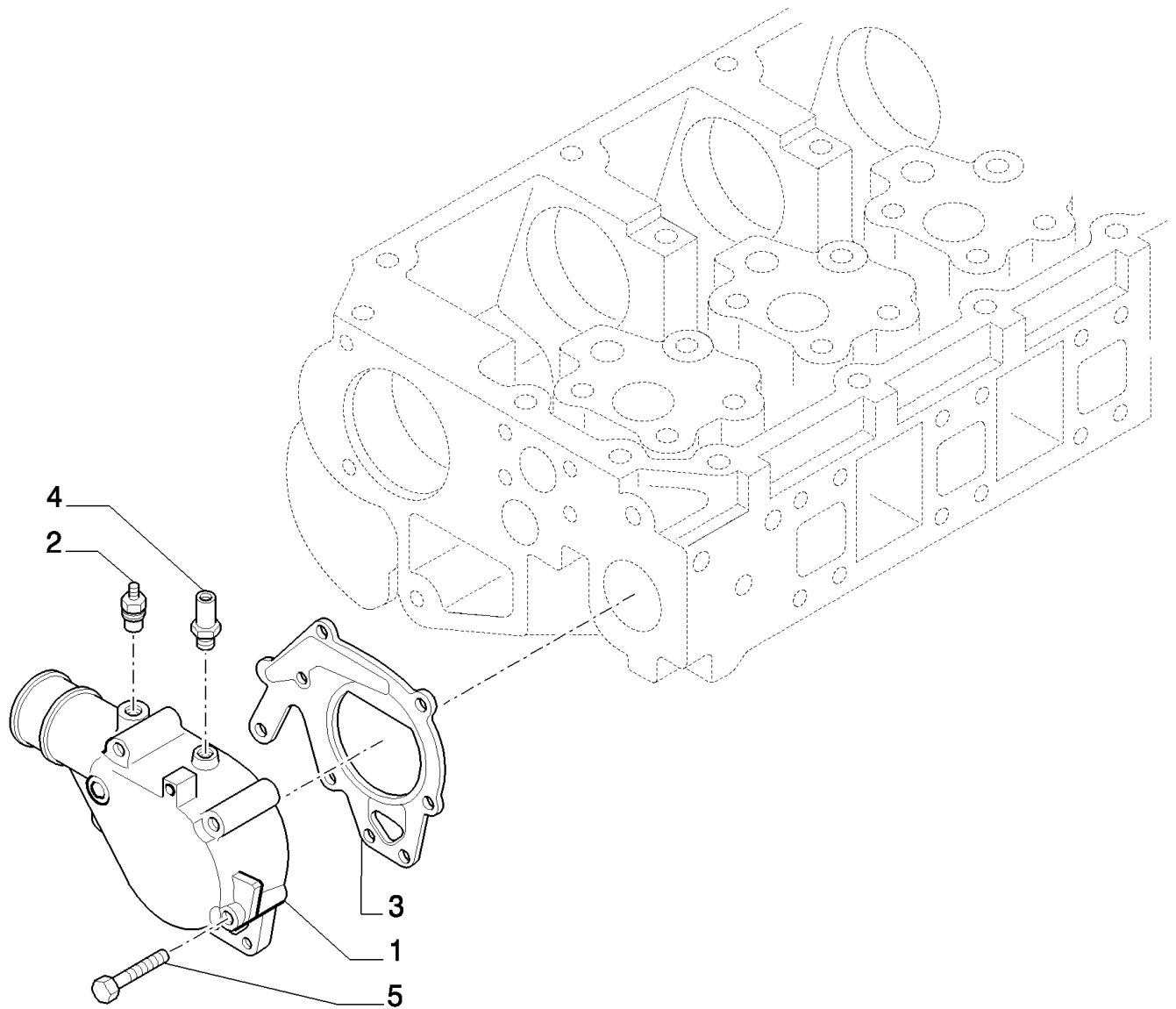
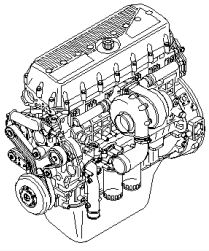
сылка	Номер детали	Кол-во	Описание
1	99478887	1	PIPE,
2	99466940	1	GASKET,
3	16674934	2	SCREW, M8X80
3	16674434	1	SCREW, M8X45



T9040 4WD TRACTOR, ASN (8/07-) - Engine

02-62 PIPING - ENGINE COOLING SYSTEM, T9030 / 9040

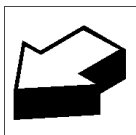
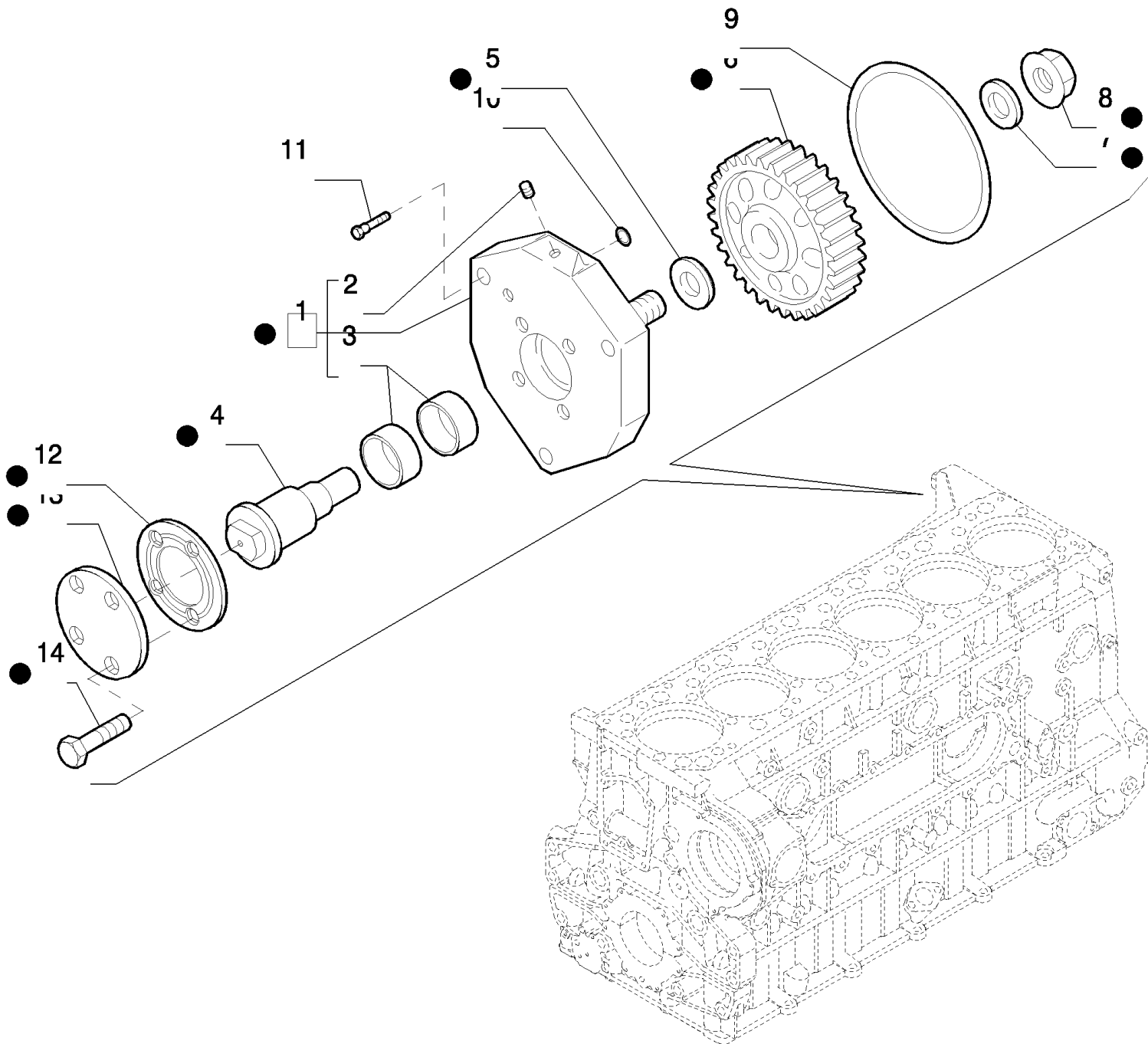
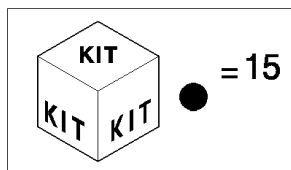
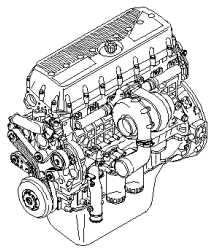
сылка	Номер детали	Кол-во	Описание
1	16992515	2	PLUG, M18X1.5
2	99489020	2	WASHER, SEALING,
3	16992415	2	PLUG, M16X1.5
4	99489019	2	WASHER, SEALING,
5	16992611	1	PLUG, M22X1.5
6	99489022	1	WASHER, SEALING,
7	4665029	1	PLUG, M42X1.5
8	99469382	1	WASHER, SEALING,



T9040 4WD TRACTOR, ASN (8/07-) - Engine

02-63 TEMPERATURE CONTROL (THERMOSTAT, T9030 / 9040

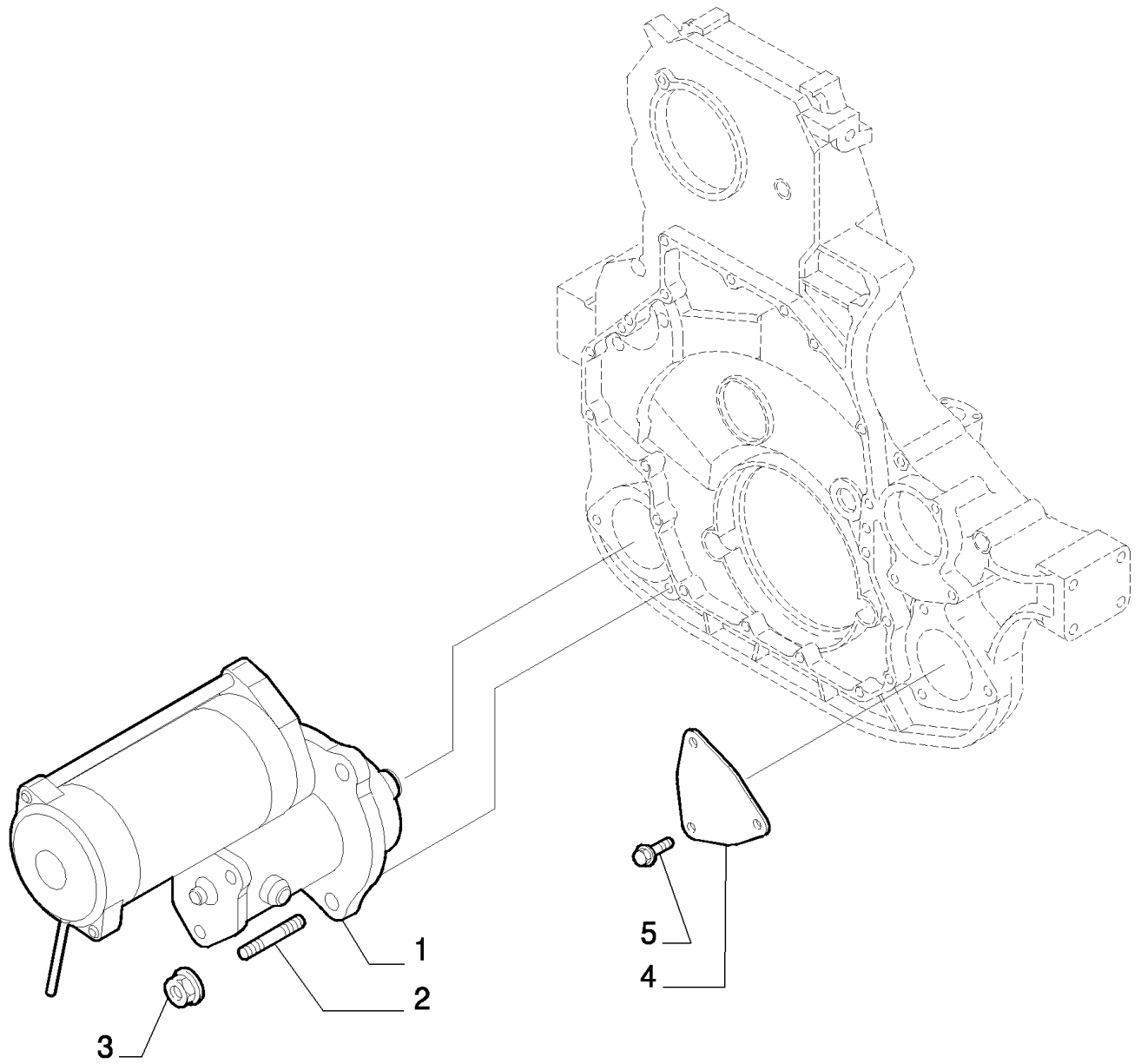
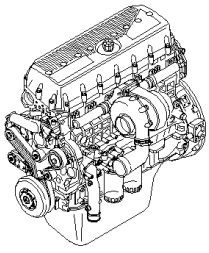
сылка	Номер детали	Кол-во	Описание
1	504115201	1	THERMOSTAT,
2	500304562	1	PLUG,
3	500362150	1	GASKET,
4	98475757	1	FITTING,
5	16586824	2	SCREW, M8X45 mm
5	500383813	5	SCREW, M8X105 mm



T9040 4WD TRACTOR, ASN (8/07-) - Engine

02-65 BELT PULLEY DRIVE & COVER, T9030 / 9040

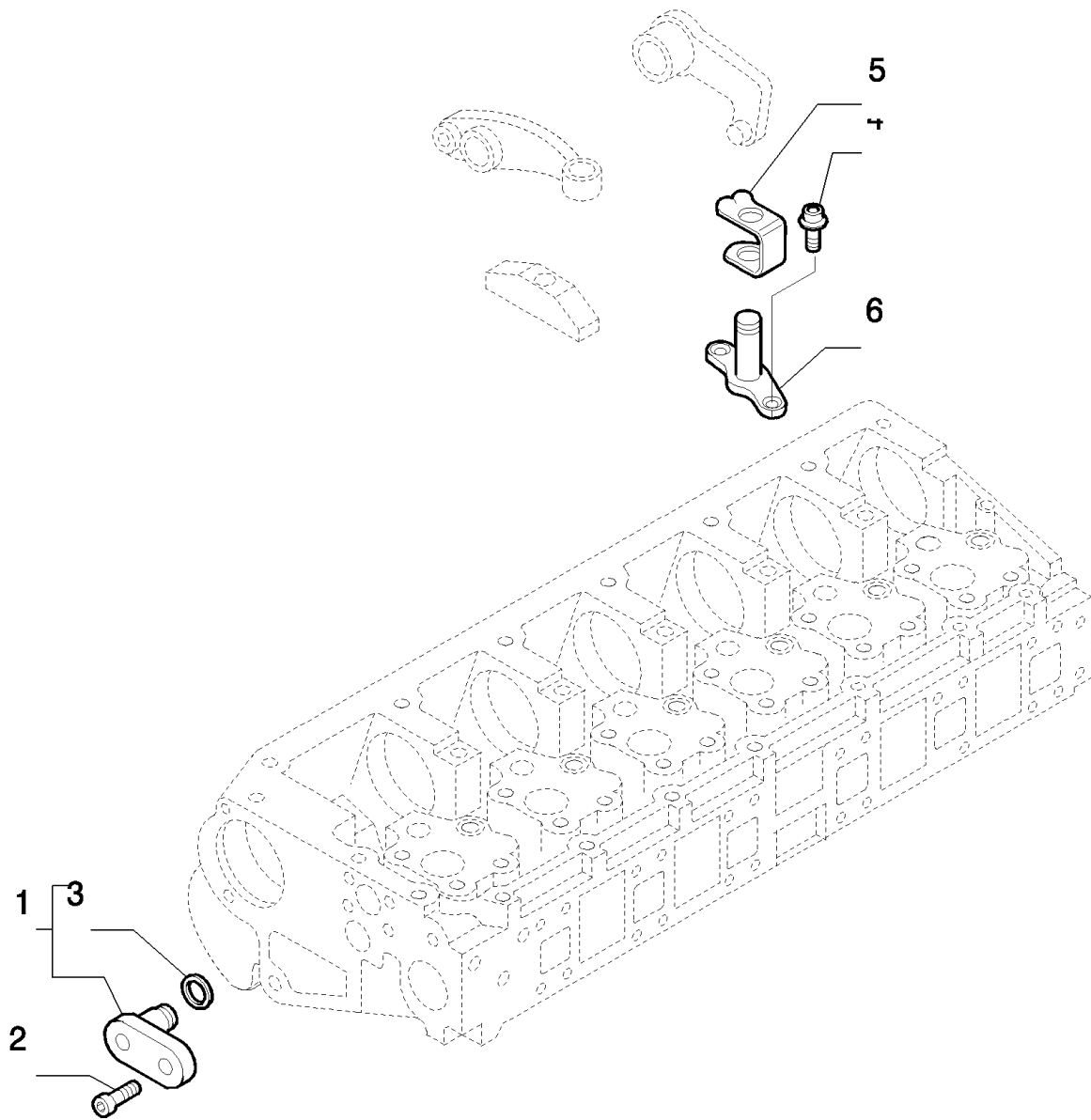
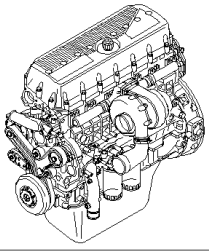
сылка	Номер детали	Кол-во	Описание
1	500353779	1	SUPPORT, - ASSY
2	98472270	1	PLUG,
3	4788087	2	BUSHING,
4	504030275	1	SHAFT, PTO,
5	500351319	1	WASHER, LOCK,
6	500382573	1	GEAR,
7	500382574	1	WASHER, LOCK,
8	17046231	1	NUT,
9	17292281	1	O-RING, D=126.59X3.53 mm
10	17281381	1	O-RING, D=9.19 mm
11	16588324	3	SCREW, M12X45 mm
12	500355018	1	GASKET,
13	500355019	1	COVER,
14	16587024	4	SCREW, M10X20 mm
15	500382578	1	SUPPORT, - ASSY



T9040 4WD TRACTOR, ASN (8/07-) - Engine

02-66 STARTER MOTOR, T9030 / 9040

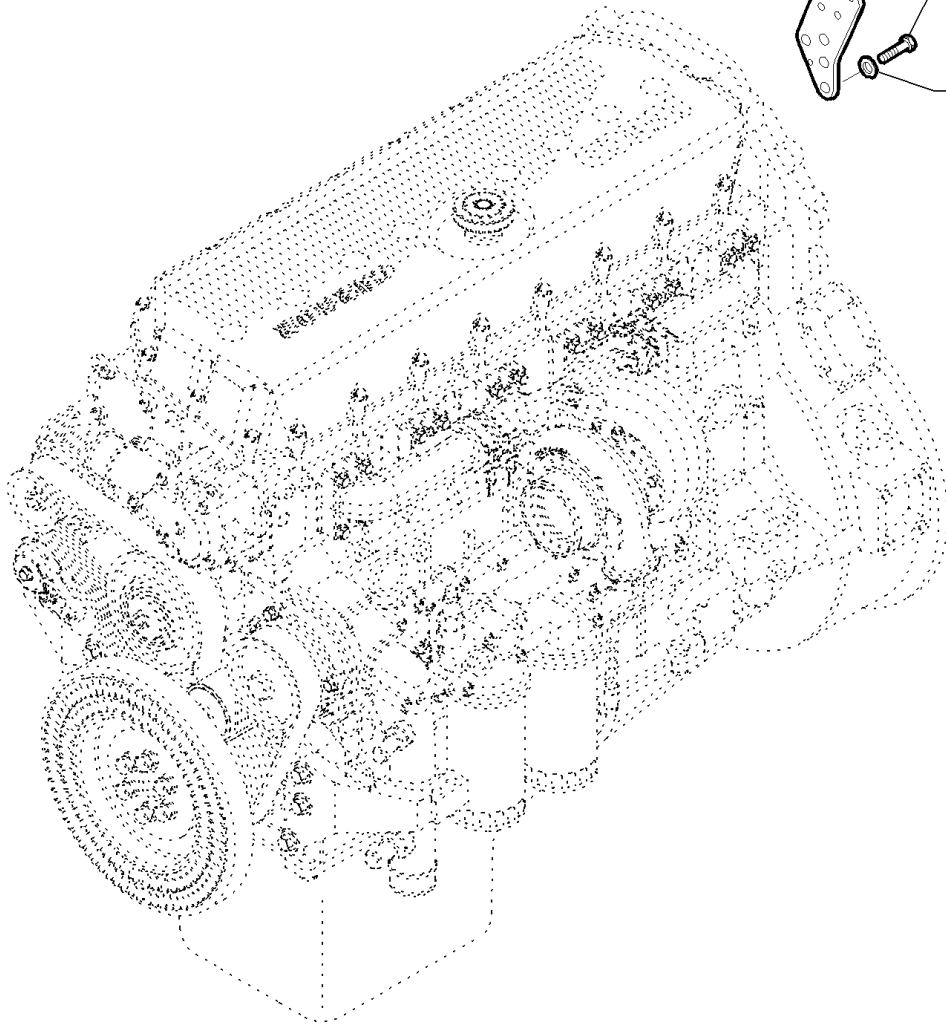
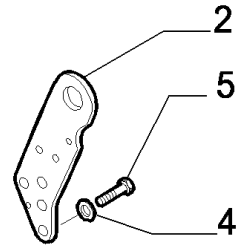
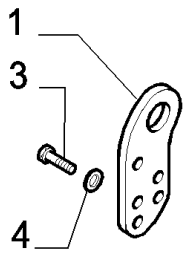
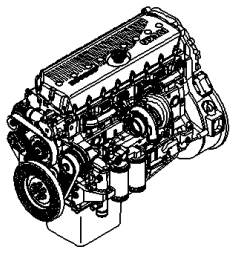
сылка	Номер детали	Кол-во	Описание
1	504106753	1	MOTOR, STARTER,
2	16760524	3	STUD, M12
3	17044921	3	NUT, M12
4	504064332	1	Cover
5	16587924	3	SCREW, M12x25



T9040 4WD TRACTOR, ASN (8/07-) - Engine

02-68 ENGINE EXHAUST BRAKE, T9030 / 9040

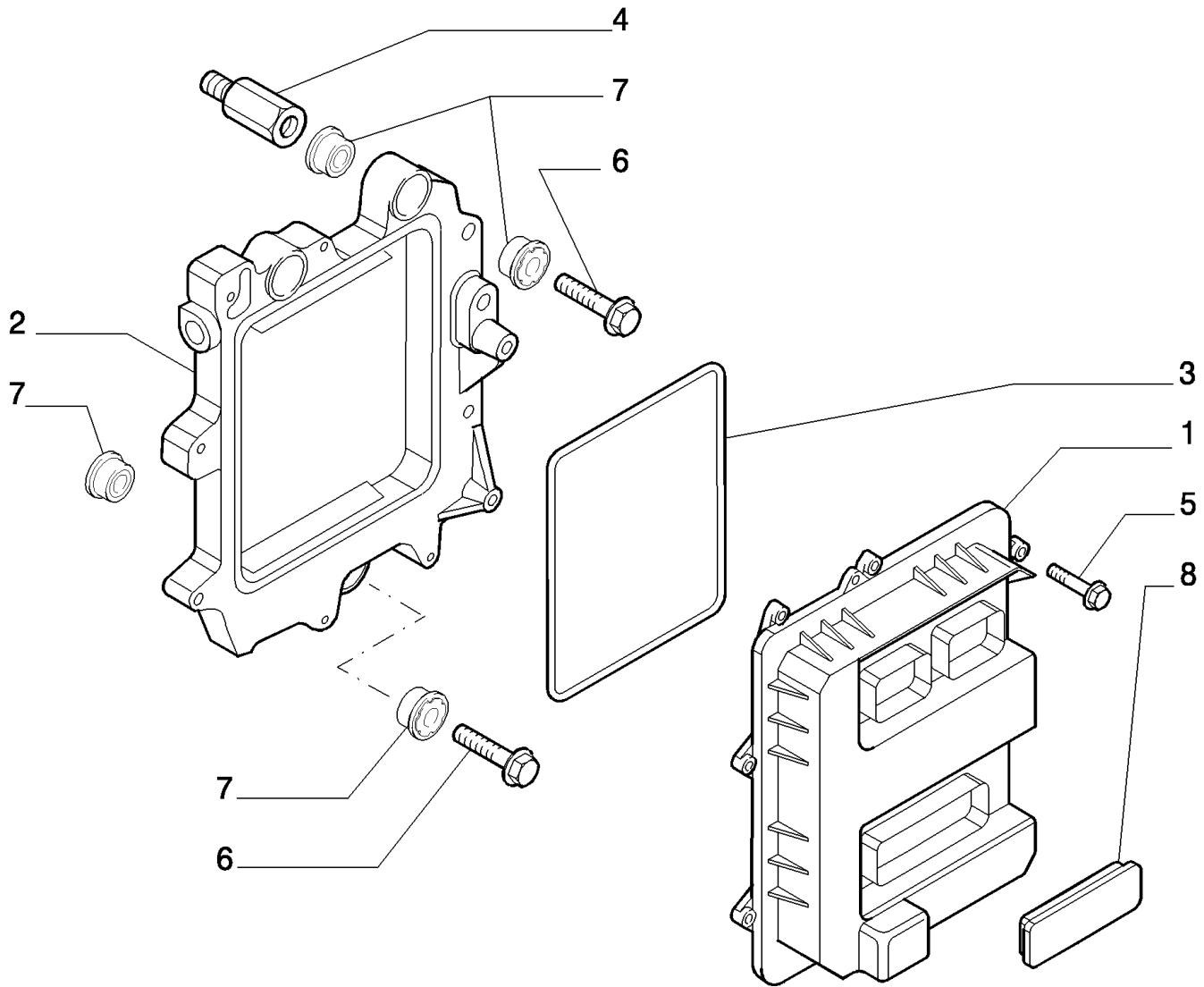
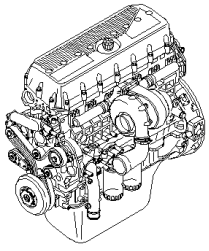
сылка	Номер детали	Кол-во	Описание
1	500340761	1	PLUG, - ASSY
2	16586225	1	SCREW, M8X1.25X16mm
3	17277981	1	O-RING, D=9.2X1.7mm
4	16707134	12	SCREW, M8x20
5	500376911	6	SPRING,
6	504001460	6	SPACER,



T9040 4WD TRACTOR, ASN (8/07-) - Engine

02-69 HOOKS - ENGINE, T9030 / 9040 & T9050

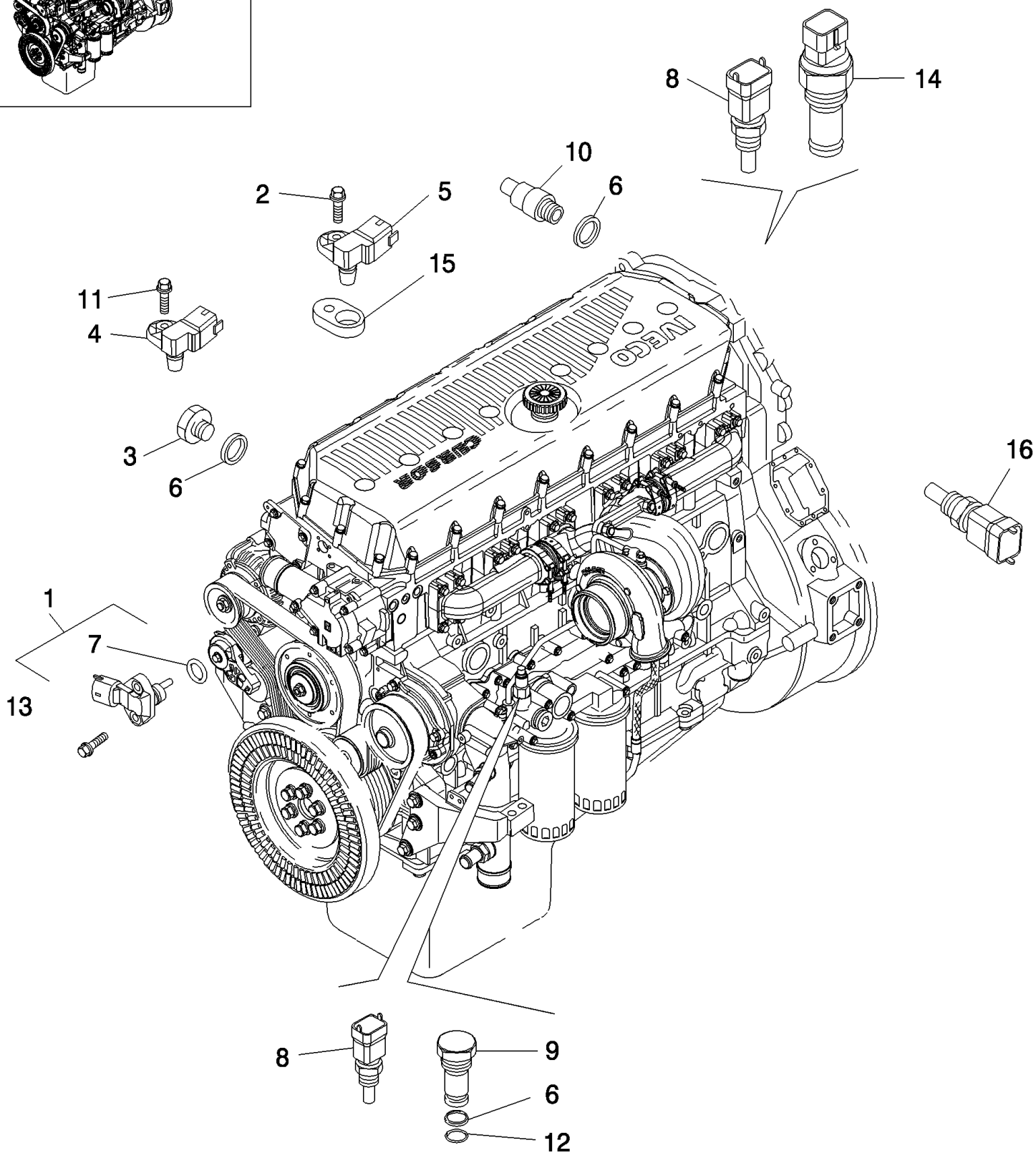
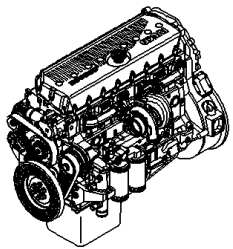
сылка	Номер детали	Кол-во	Описание
1	504078127	1	LOAD HOOK, , T9030 / 9040
1	504240146	1	EYE, LIFTING, , T9050
2	500372844	1	LOAD HOOK, , T9030 / 9040
2	504238227	1	EYE, LIFTING, , T9050
3	16677734	3	SCREW, Hex Flg, M12 x 1.75 x 25, , T9030 / 9040
3	16677835	3	SCREW, , T9050
4	16887624	2	WASHER, , T9030 / 9040
4	16588625	2	BOLT, , T9050
5	16588625	2	BOLT, M12X60, T9030 / 9040
5	16587925	1	BOLT, M12X25, T9030 / 9040
5	16688025	1	, T9050



T9040 4WD TRACTOR, ASN (8/07-) - Engine

02-70 ENGINE CONTROL UNIT, T9030 / 9040

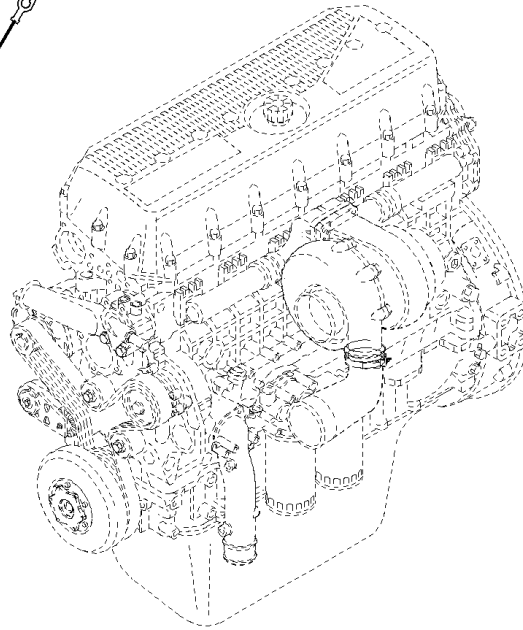
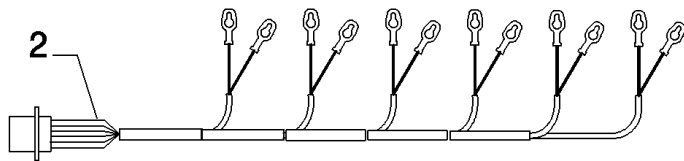
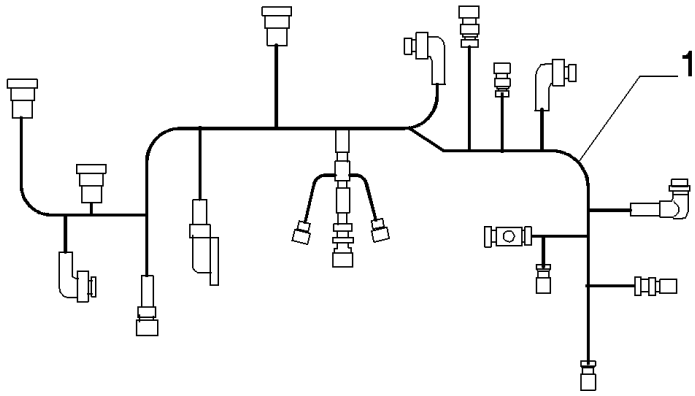
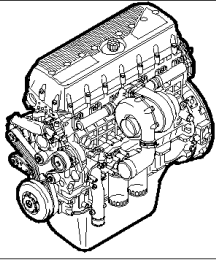
сылка	Номер детали	Кол-во	Описание
1	504122542	1	ELECTRONIC UNIT, CONTROL,
2	504097239	1	BRACKET,
3	504184521	1	GASKET,
4	99475194	1	SPACER,
5	16586024	8	SCREW, M6X30
6	16586824	3	SCREW, M8X45 mm
7	98498817	6	ISOLATOR,
8	504043102	1	PLUG,



T9040 4WD TRACTOR, ASN (8/07-) - Engine

02-72 MOTOR SENSORS, T9030 / 9040

сылка	Номер детали	Кол-во	Описание
1	4890193	1	SENSOR, Oil Pressure &Temperature
2	16689325	1	SCREW, M6X25 mm
3	16992415	1	PLUG, M16X1,5
3	16887515	1	PLUG, M12X1,5
3	10300611	2	PLUG, M14 x 1.5 x 14, CI5.8,
4	504073323	1	CONNECTOR, ELEC, Air Temperature / Pressure
5	504096645	1	SENDER UNIT,
6	99489019	1	WASHER, SEALING, 16X24X1,5
6	99489017	1	GASKET, 12X20X1,5
6	99489018	3	WASHER, SEALING, 14X22X1,5
7	4895477	1	O-RING,
8	500382599	2	SENSOR, Coolant Temperature
9	504084571	1	PLUG,
10	500346371	1	SENSOR, Plugged Fuel Filter Switch
11	16597224	1	SCREW, M6X18 mm
12	17277881	1	GASKET, 1,7X7,65
13	4899110	2	SCREW, Hex Flg, M6 x 1 x 20,
14	500346074	1	SENDER UNIT, Pressure Sensor
15	504163664	1	SPACER,
16	504096645	1	SENDER UNIT, Crankshaft Speed

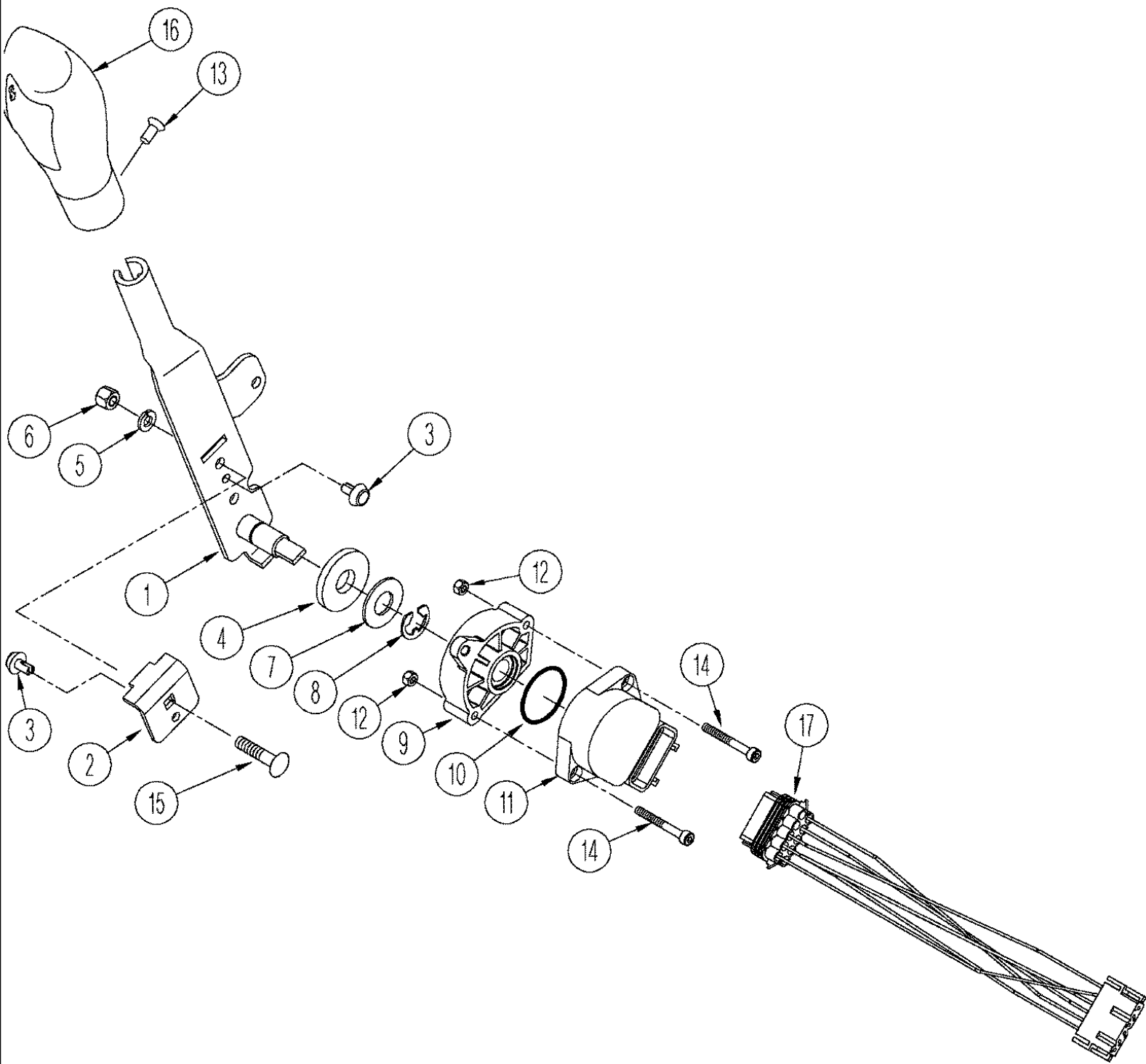


T9040 4WD TRACTOR, ASN (8/07-) - Engine

02-74 HARNESS - ENGINE ELECTRICAL, T9030 / 9040

сылка	Номер детали	Кол-во	Описание
1	504116158	1	HARNESS,
2	504149937	1	HARNESS, WIRE,

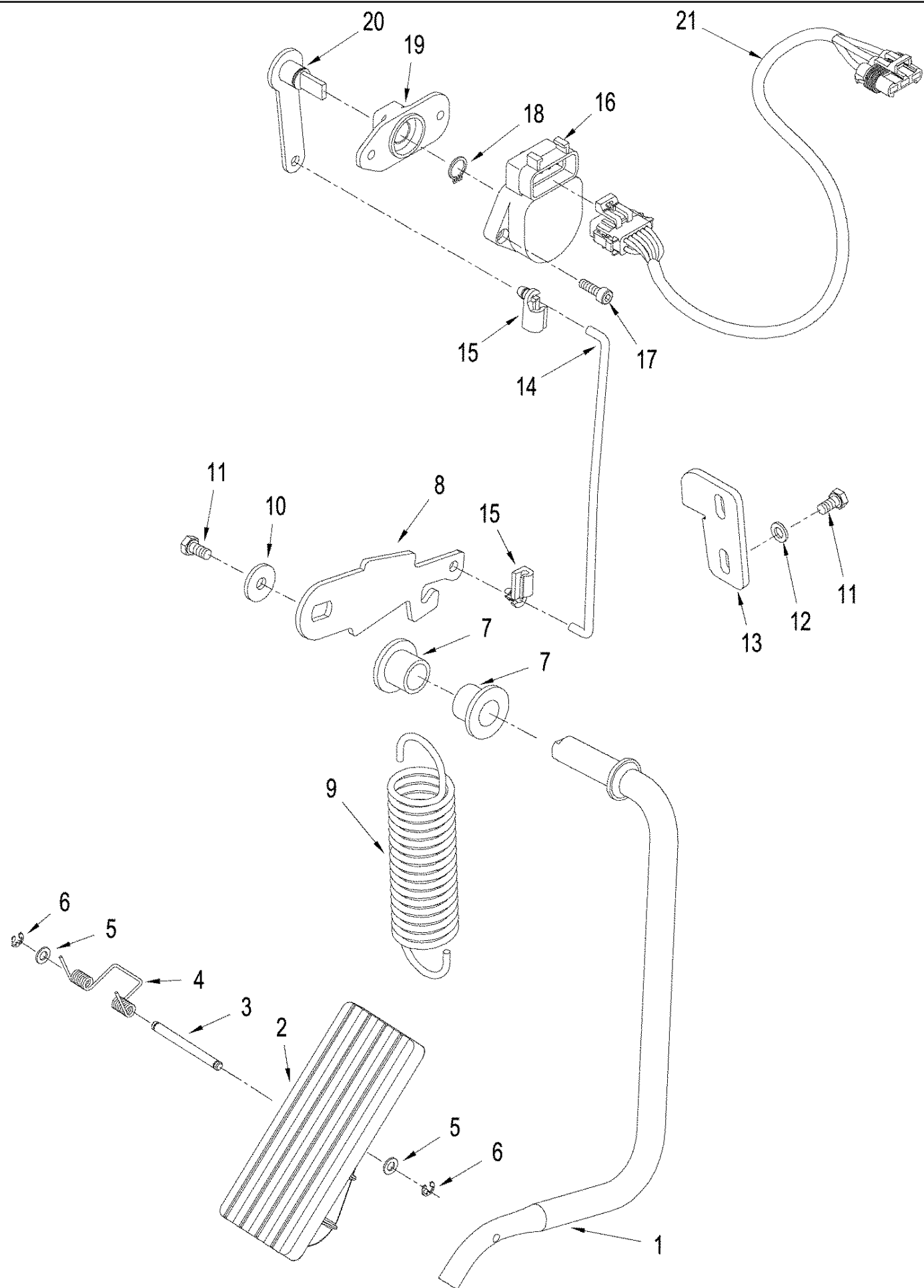
03-01 THROTTLE



03-01 THROTTLE

сылка	Номер детали	Кол-во	Описание
1	414193A2	1	BRACKET, Throttle, With Power Shift Transmission
1	410029A2	1	BRACKET, Throttle, With Manual Shift Transmission
2	258734A2	1	SUPPORT, Throttle Friction Device
3	259040A1	2	INSERT,
4	237486A1	1	WASHER,
5	86517328	1	WASHER, LOCK, M6,
6	393392	1	NUT, LOCK, M6 x 1, CI 8,
7	88538	1	WASHER, LOCK, Ext-Int Tooth, 1/4",
8	9635806	1	CIRCLIP, #50, .392" Dia, E-Type,
9	239491A1	1	BUSHING,
10	9824051	1	O-RING, -.025, 90 Duro, 1.176" ID x .070" Thk,
11	259012A1	1	POTENTIOMETER, Throttle Control, With Power Shift Transmission
11	402751A1	1	POTENTIOMETER, Throttle Control, With Manual Shift Transmission
12	385681	2	NUT, LOCK, M4 x .7, CI 8,
13	86639303	1	SCREW, Hex Soc Flat Hd, M5 x 12, 10.9,
14	86639295	2	SCREW, Socket, M4 x 35; 8.8
15	86512441	1	BOLT, CARRIAGE, Short NK, M6 x 30, CI8.8, Full Thd,
16	413805A1	1	HANDLE, Throttle, See Figure: 06-01, With Manual Shift Transmission
16	413804A2	1	HANDLE, Throttle, See Figure, 06-01, With Power Shift Transmission
17	276352A1	1	HARNESS, Electronic Throttle

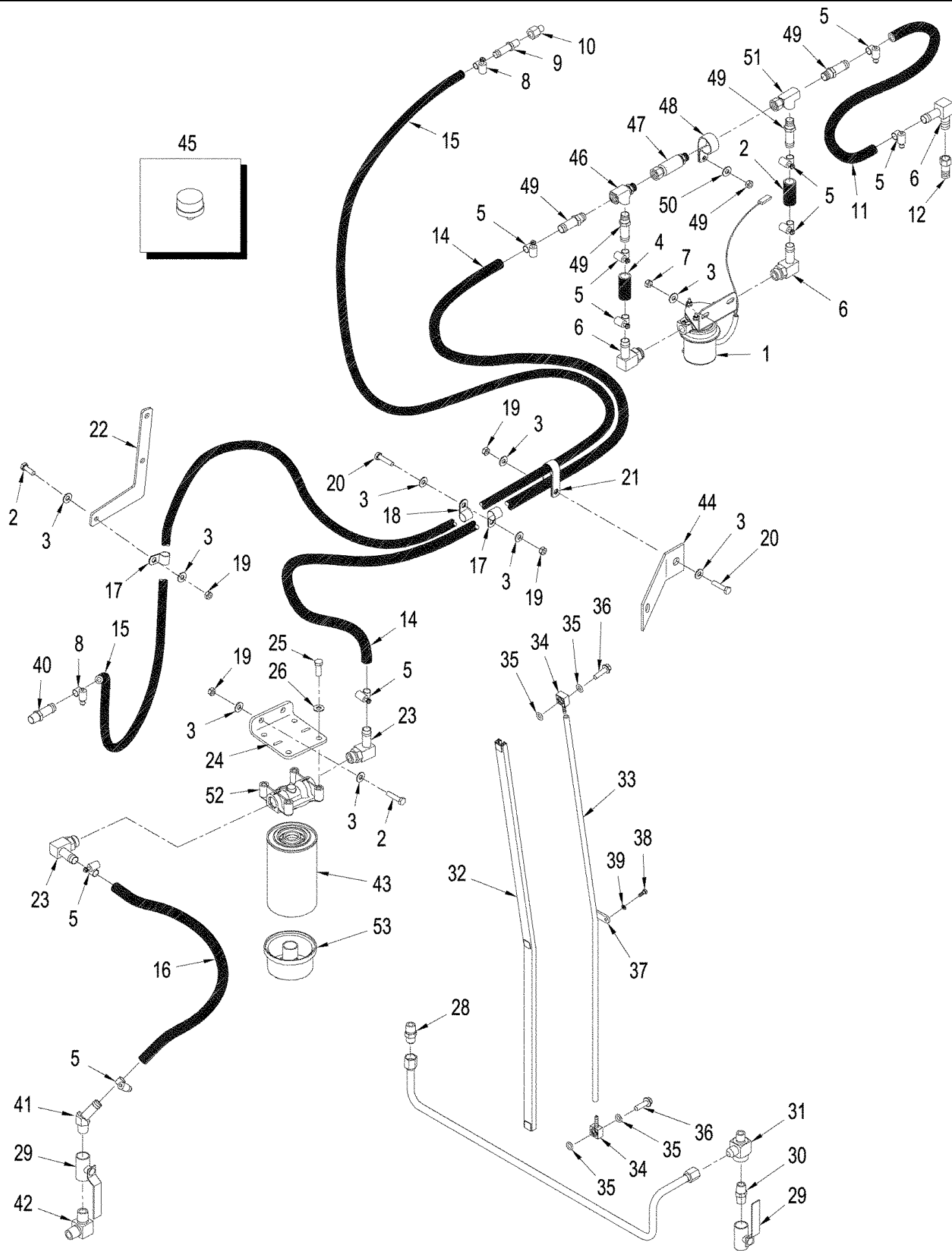
03-02 THROTTLE - DECELARATOR CONTROL



T9040 4WD TRACTOR, ASN (8/07-) - Fuel System

03-02 THROTTLE - DECELERATOR CONTROL

сылка	Номер детали	Кол-во	Описание
1	328353A2	1	ROD, Decelerator
2	298842A1	1	SKID/SHOE, Foot Throttle
3	255291A1	1	PIN, Foot Throttle
4	256776A1	1	SPRING, Foot Throttle Control
5	86625261	2	WASHER, M5 x 10 x 1,
6	86632599	2	CIRCLIP, M5,
7	300891A1	2	BEARING, Support
8	248844A1	1	LEVER, Decel
9	278211A1	1	SPRING, Extension
10	396-41028	1	WASHER, 6,6 x 25 x 1.6 mm
11	86508616	3	BOLT, Hex, M6 x 12, 10.9,
12	86624181	2	WASHER, M6,
13	281115A1	1	BRACKET, Decel Stop
14	281125A1	1	ROD, Connecting, Potentiometer
15	435473A1	2	RETAINER, Plastic Rod
16	259012A1	1	POTENTIOMETER, Throttle Control
17	86639296	2	SCREW, M5 x 16; 8.8
18	300624	1	RING, SNAP, M12, Ext,
19	258524A2	1	BUSHING,
20	313273A2	1	PIN,
21	87545500	1	HARNESS, Decelerator Control



T9040 4WD TRACTOR, ASN (8/07-) - Fuel System

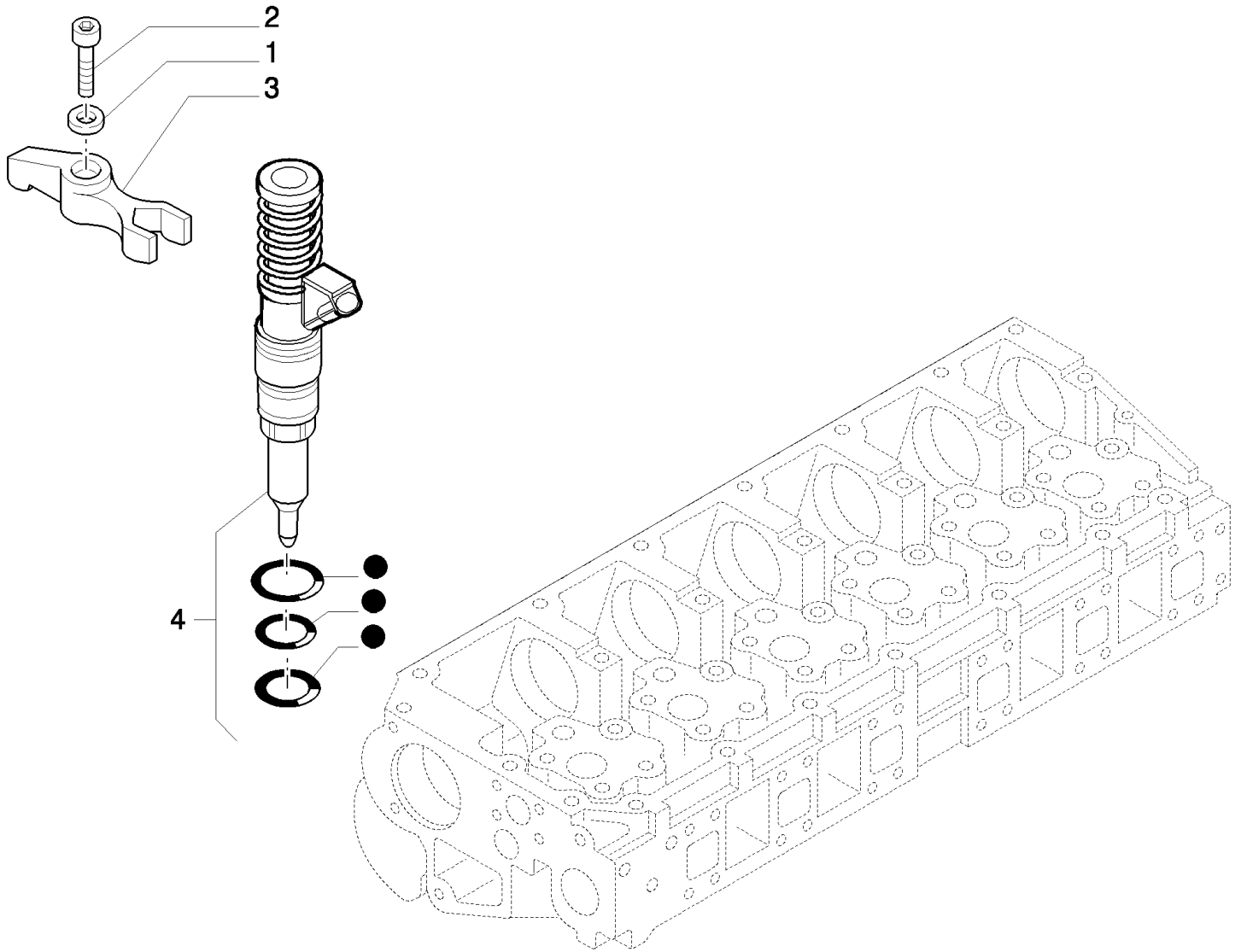
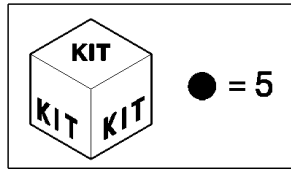
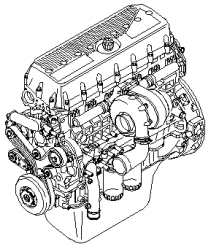
03-03 FUEL LINES, T9030 / 9040 & 9050

сылка	Номер детали	Кол-во	Описание
1	87282080	1	PUMP, FUEL,
2	87362717	1	HOSE, Fuel Pump Supply, Out
3	86625263	15	WASHER, M8 x 20 x 1.6,
4	87362717	1	HOSE, Fuel Pump Supply, In
5	13021	10	CLAMP, HOSE, #08, 0.50/0.91 Type F Worm,
6	217-332	3	FITTING, 90e, 5/8" Hose x 3/8" NPTF Beaded,
7	832-10408	3	NUT, LOCK, M8 x 1.25, CI 8,
8	244358	2	CLAMP, HOSE, #06, .44/.78 Type F Worm,
9	217-229	1	FITTING, 1/2" Hose X 1/4" NPTF Beaded,
10	86990397	1	FITTING, Male Metric / Female NPTF
11	87362697	1	HOSE, Fuel Supply
12	86990398	1	FITTING, Male Metric / Female NPTF
13	217-207	1	FITTING, 45, 5/8" ID x 3/8" nptf
14	296077A1	1	HOSE, Fuel Supply, Filter to Pump
15	31-3083	1	HOSE, Fuel Return
16	87308466	1	HOSE, Fuel Supply, Tank to Filter
17	86594406	3	CLAMP, 5/8", Insul, 3/8" Bolt,
18	86624005	2	CLAMP, 3/4", Insul, 3/8" Bolt,
19	43362	7	NUT, M8, CI 10,
20	86639039	2	BOLT, M8 x 35, CL10.9
21	R54363	6	CLAMP, Double
22	87536383	1	BRACKET, Hose
23	86637720	2	FITTING, 90e, 5/8" Hose x 7/8"-14 ORB Beaded,
24	87417445	1	BRACKET, Fuel Filter Mounting
25	426-616	4	BOLT, Hex, 3/8"-16 x 1", G8, Full Thd,
26	495-11041	4	WASHER, 3/8", SAE,
27	335041A2	1	LINE, Fuel Cross Over
28	242680	1	CONNECTOR, HYD., 7/8"-14, 37e x 1/2"-14, NPTF,
29	435446A1	2	VALVE, SHUT-OFF,
30	86637713	1	CONNECTOR, HYD., 1/2"-14 NPTF,
31	86637792	1	TEE, 1/2" x 1/2" x 5/8"
32	349868A1	1	CHANNEL, Sight Guage
33	337240A1	1	HOSE, Sight Guage
34	352767A1	2	CONNECTOR, HYD., Sight Guage
35	337248A1	4	O-RING,
36	86511845	2	BOLT, Hex Flg, M10 x 35, 8.8,
37	402800A1	1	BRACKET, Mounting
38	86639037	1	BOLT, Hex, M6 x 16, 10.9,
39	86624181	1	WASHER, M6,
40	86637718	1	FITTING, 45e, 1/2" Hose x 1/2" NPTF Beaded,
41	86637716	1	FITTING, 45e, 5/8" Hose x 1/2" NPTF Beaded,
42	86637715	1	ELBOW, 90e, 1/2"-14 Male,
43	87413717	1	FILTER, FUEL,
44	87599957	1	BRACKET, D-Clamp
45	435545A1	1	BREATHER,

T9040 4WD TRACTOR, ASN (8/07-) - Fuel System

03-03 FUEL LINES, T9030 / 9040 & 9050

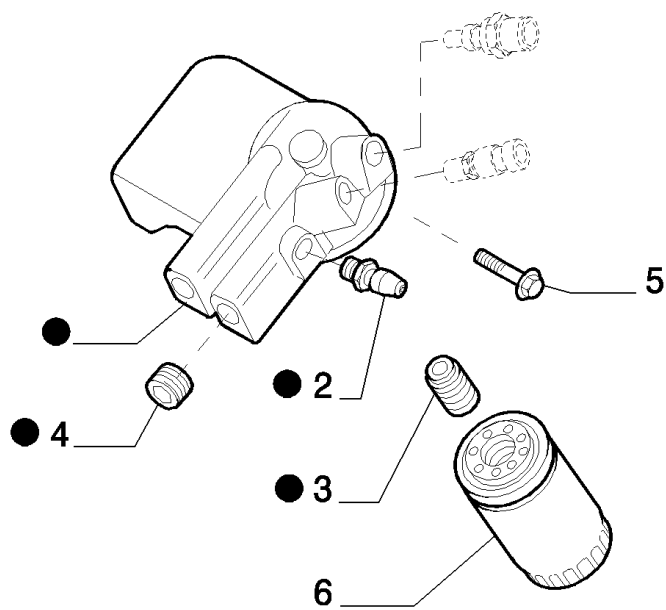
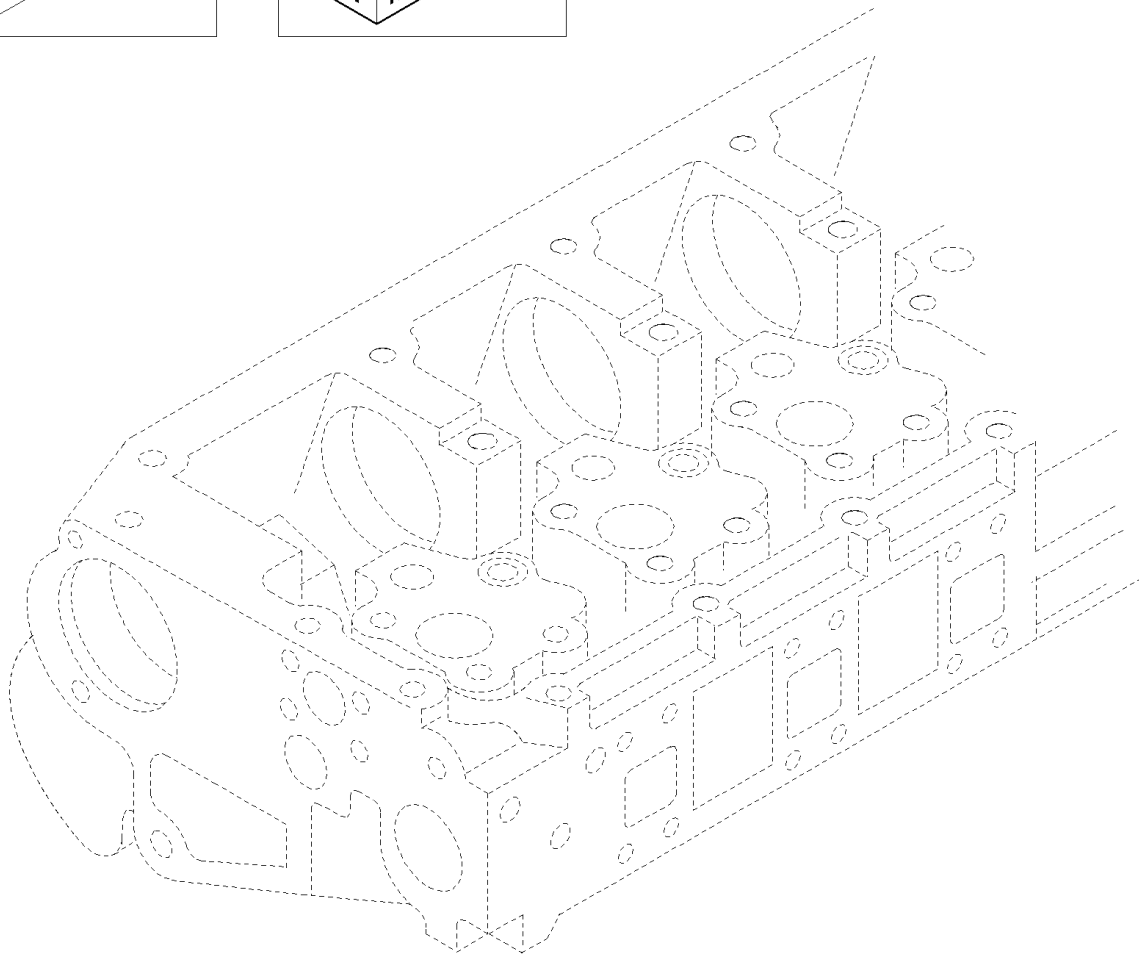
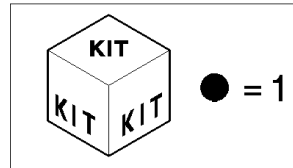
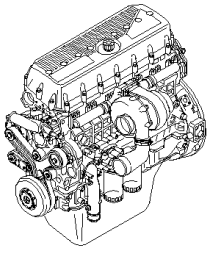
сылка	Номер детали	Кол-во	Описание
46	217-52	1	TEE, 3/8"-18 NPTF Fem x 3/8"-18 NPTF Male Run,
47	87365506	1	VALVE, CHECK,
48	515-23286	1	CLAMP, 1 1/8", Insul, 3/8" Bolt,
49	217-376	4	FITTING, 5/8" Hose X 3/8" NPTF Beaded,
50	895-11008	1	WASHER, M8 x 16 x 1.6,
51	217-12	1	TEE, 3/8"-18 NPTF Fem,
52	87417455	1	Head, Filter, Fuel Filter
53	87410185	1	BOWL, FILTER, Fuel



T9040 4WD TRACTOR, ASN (8/07-) - Fuel System

03-05 INJECTOR & RELATED PARTS, T9030 / 9040

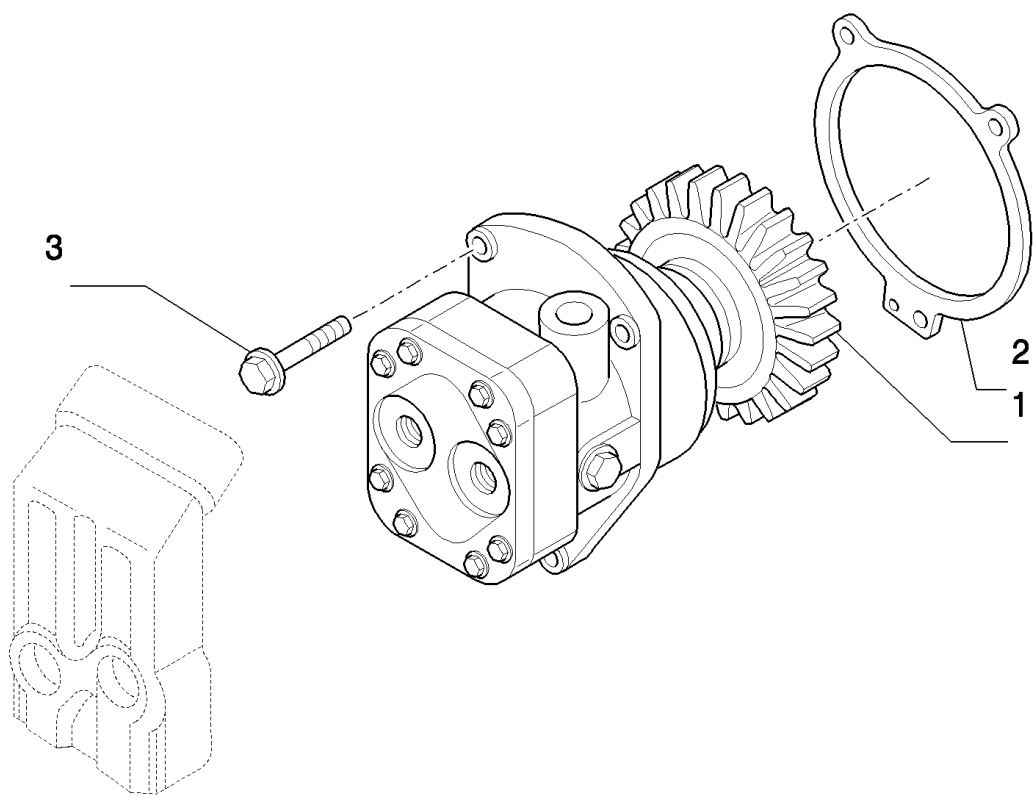
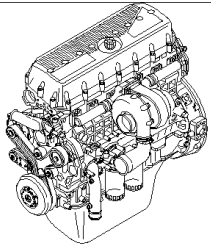
сылка	Номер детали	Кол-во	Описание
1	99435007	6	WASHER, LOCK,
2	16707734	6	SCREW, M8X50
3	99435006	6	BRACKET,
4	504128354	6	INJECTOR, FUEL SYSTEM, - ASSY
5	504140437	6	KIT, REPAIR,



T9040 4WD TRACTOR, ASN (8/07-) - Fuel System

03-06 FUEL FILTER & RELATED PARTS, T9030 / 9040

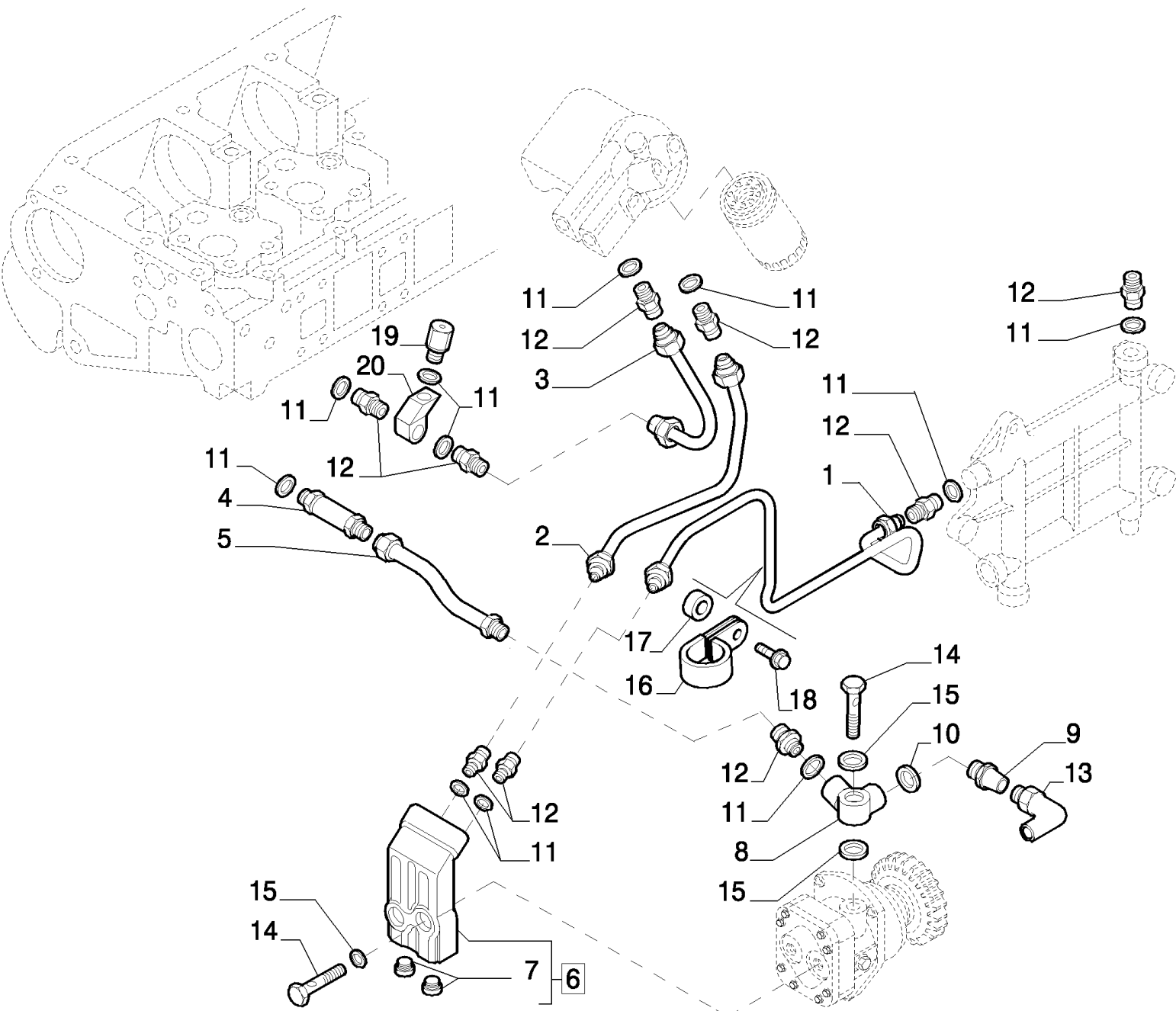
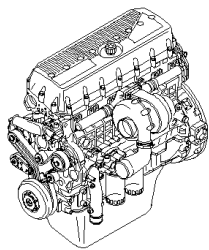
сылка	Номер детали	Кол-во	Описание
1	504046809	1	Head, Filter,
2	500304562	1	PLUG,
3	98498837	1	FITTING, M14X1.5 - M16X1.5
4	98472271	1	PLUG,
5	16587225	2	SCREW, M10X30 mm
6	84818744	1	FILTER, FUEL,



T9040 4WD TRACTOR, ASN (8/07-) - Fuel System

03-07 FUEL PUMP & RELATED PARTS, T9030 / 9040

сылка	Номер детали	Кол-во	Описание
1	504066263	1	PUMP, FUEL,
2	99447382	1	GASKET, Fuel Pump
3	16586424	3	SCREW, M8X25

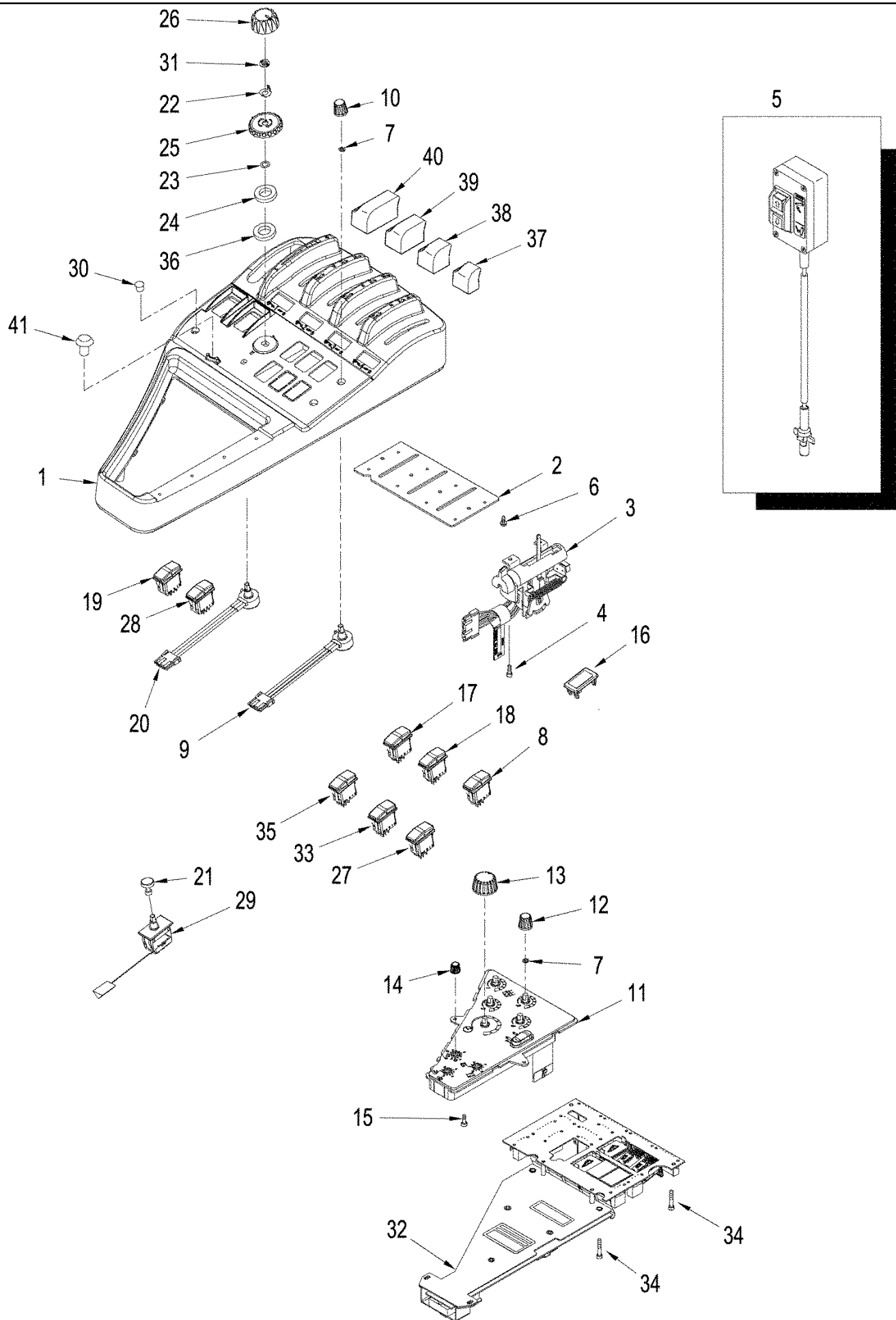


T9040 4WD TRACTOR, ASN (8/07-) - Fuel System

03-08 FUEL LINES & RELATED PARTS, T9030 / 9040

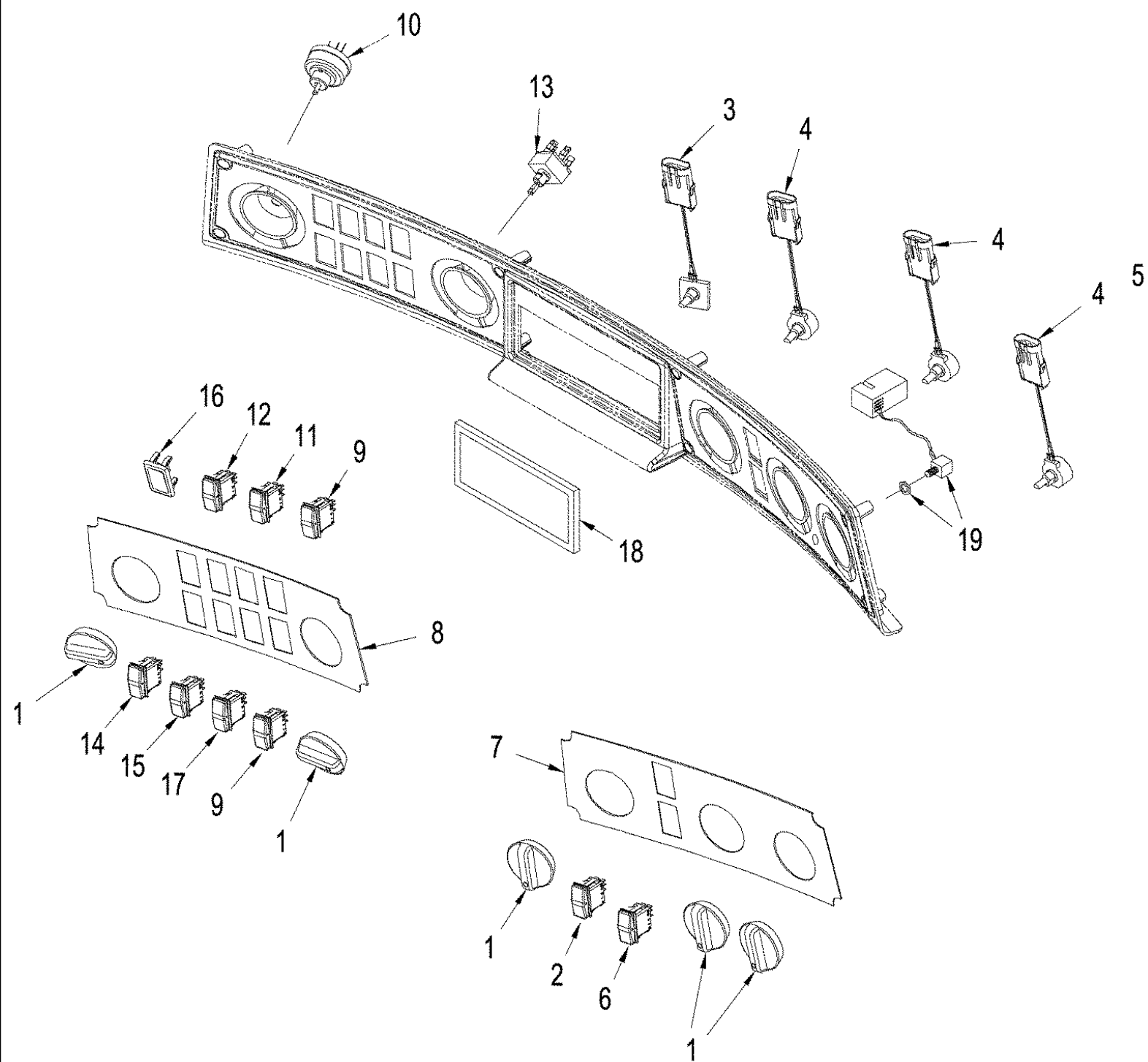
сылка	Номер детали	Кол-во	Описание
1	500313907	1	TUBE, RIGID,
2	500352450	1	TUBE, RIGID,
3	504146519	1	TUBE,
4	500310076	1	FITTING,
5	500352447	1	TUBE, RIGID,
6	500314313	1	BLOCK, CONNECTING, - ASSY
7	98472271	2	PLUG,
8	500348306	1	ELBOW,
9	500328251	1	VALVE, PRESSURE RELIEF,
10	99489018	1	WASHER, SEALING, D=12 mm
11	99489019	10	WASHER, SEALING, D=16X24X1.5 mm
12	41031569	9	FITTING, M16X1.5 - M18X1.5
13	500350162	1	ELBOW,
14	4864084	3	BOLT, BANJO, M16X1.5
15	98474309	6	GASKET, D=16X24X1,9 mm
16	17316599	2	CLAMP,
17	17816211	2	
18	16586325	2	SCREW, M8X1,25X20
19	504112433	1	VALVE,
20	504125079	1	UNION,

04-01 CONTROLS - RIGHT HAND ARMREST CONSOLE



04-01 CONTROLS - RIGHT HAND ARMREST CONSOLE

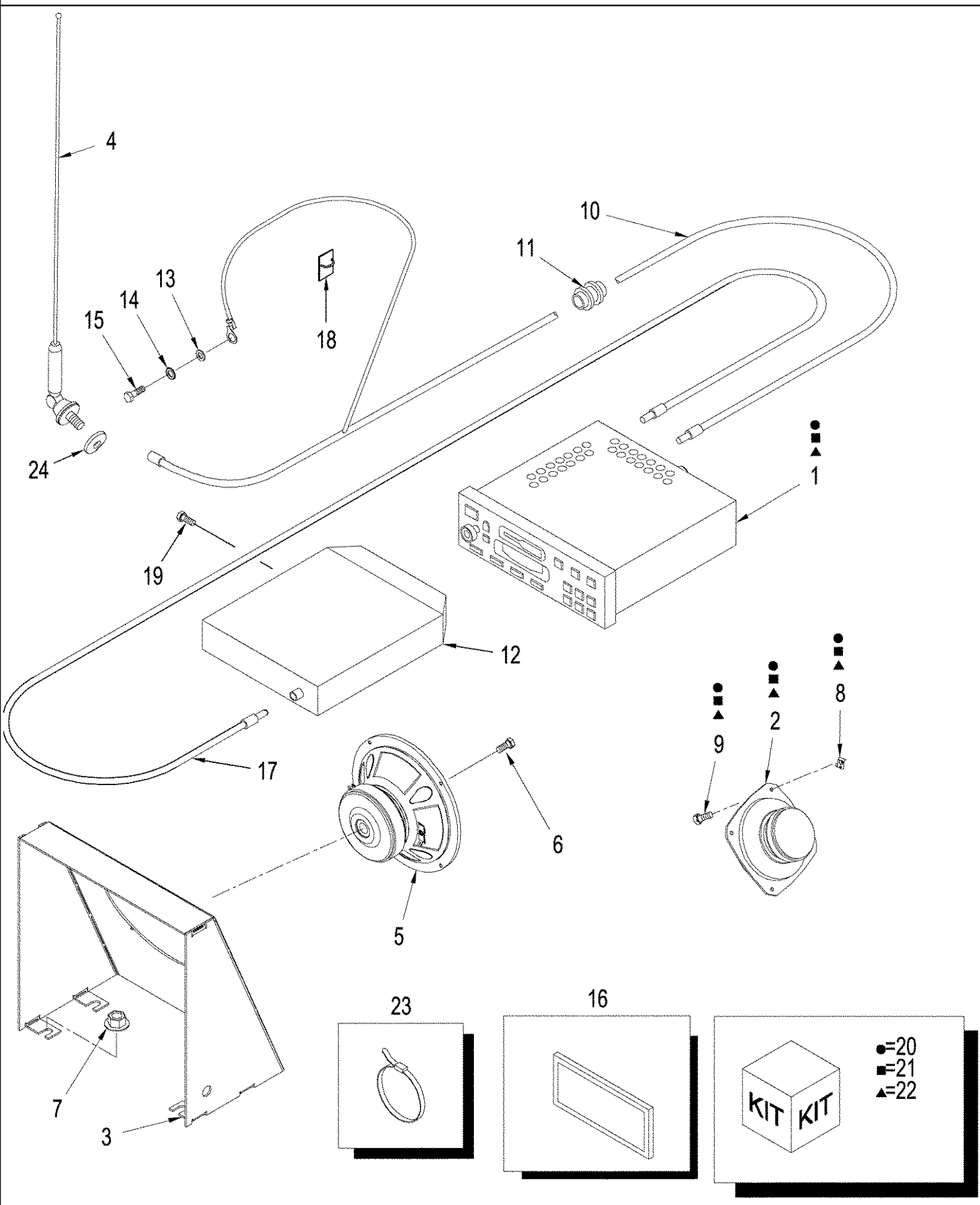
сылка	Номер детали	Кол-во	Описание
1	87314389	1	CONSOLE, Armrest, Right Hand, See Figure: 09-19
	87395318	1	CONTROL, Electronic, Inc. 2 - 4
2	230098A1	1	PLATE, Mounting
3	87395299	4	VALVE, CONTROL, Remote Auxiliary Valve
4	86637785	8	SCREW, Std Pan Hd, #8-32 x 3/8",
5	382247A1	1	SWITCH, Remote, Three Point Hitch
6	86639294	4	SCREW, Hex Soc Hd, M4 x 20, 8.8,
7	A39888	2	NUT, 5 Spool Application
8	86989947	1	SWITCH, Fifth Auxiliary Valve
9	256305A2	1	POTENTIOMETER, Flow Control, 5 Spool Application
10	276797A1	1	KNOB, Flow Control, 5 Spool Application
11	339735A1	1	PANEL, Secondary, With Three Point Hitch
11	238290A4	1	PANEL, Secondary, Without Three Point Hitch
12	276797A1	4	KNOB, Flow Control
13	187820A1	1	BUTTON, Remote Valve Timer Control
14	223433A1	2	KNOB, Electronic Draft Control, With Three Point Hitch
15	86639117	2	SCREW, SELF TAPPING, Pan Hd, M4.2 x 16,
16	406324A2	2	PLUG, Switch Hole
17	87361920	1	SWITCH, Rocker, Differential Lock, Rear
18	87361921	1	SWITCH, Rocker, Differential Lock, Front
19	86990406	1	SWITCH, Hitch Position
20	87665287	1	POTENTIOMETER, Three Point Hitch Position
21	411705A3	1	KNOB, Power Takeoff
22	87436077	1	WASHER, Stainless Steel
23	87435947	1	SPRING,
24	87435853	1	RING, Friction, Position Control
25	87435194	1	KNOB, Wheel, Indicator Position
26	87434770	1	KNOB, Knob, Hitch Position Control, With Reynolds Drawbar
27	86989951	1	SWITCH, Scraper, Laser Leveling, With Reynolds Drawbar
28	87422017	1	SWITCH, Head Land / Turn Sequence
29	414495A1	1	SWITCH, Power Takeoff
30	86625127	1	PLUG, Dome, .375" hole, Nylon, , Without Three Point Hitch
31	87435946	1	WASHER, Detent, Without Three Point Hitch
32	87524858	1	CONTROL, Armrest Controller
33	87414465	1	SWITCH, Autoshift
34	87536486	6	SCREW, M4 x 10; 12.9
35	87308327	1	SWITCH, Engine Brake, If Used
35	87414327	1	SWITCH, EDC, Slip Limit Control, If Used
36	87435852	1	SPACER,
37	400161A3	4	KNOB, Remote Control, Black
38	400160A3	1	KNOB, Remote Control, Ginger
39	400159A3	1	KNOB, Remote Control, Blue
40	400158A3	1	KNOB, Remote Control, Green
41	87323840	1	SWITCH, Switch, Intellisteer, If Used



04-02 PANEL, CONTROL - COMPONENTS

сылка	Номер детали	Кол-во	Описание
1	1331046C2	5	CAP, WASHER,
2	87454558	1	SWITCH, Climate Control
3	92100C2	1	SWITCH, Blower Motor
4	418107A1	AR	POTENTIOMETER,
5	345439A1	1	POTENTIOMETER, Vent Motor
6	87305994	1	SWITCH, Defog
7	87450974	1	DECAL, Climate Control, See Figure: 9-59
8	431230A1	1	DECAL, Light Panel, See Figures: 9-59
9	86989939	2	SWITCH, WINDSHIELD WIPER, Lower/Rear Wiper
10	177250A1	1	SWITCH, LIGHTS, Rotary
11	86989955	1	SWITCH, Cruise Control
12	87414325	1	SWITCH, Strobe Lamp
13	345262A1	1	SWITCH, Front Washer / Wiper
14	87442098	1	SWITCH, LIGHTS, Road Lamp / Flasher
15	87565185	1	SWITCH, Auxiliary Power
16	126844A1	4	PLUG, Hole Cover
17	86989953	1	SWITCH, Cruise Control, Increase/Decrease
18	1535219C1	1	COVER, , Without Radio
19	87562465	1	HARNESS, Auxiliary In

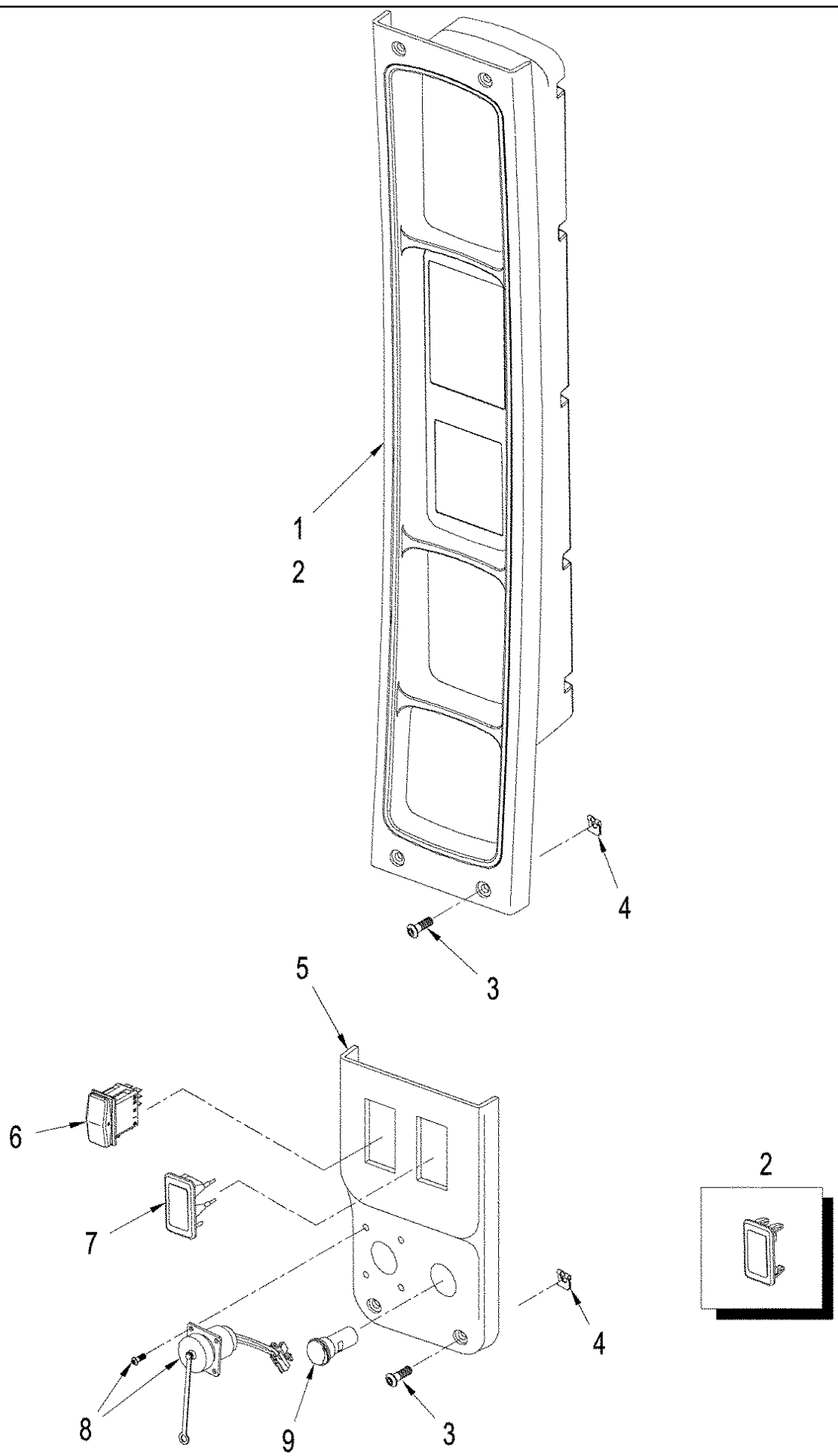
04-03 RADIO AND SPEAKERS



04-03 RADIO AND SPEAKERS

сылка	Номер детали	Кол-во	Описание
1	87552288	1	RADIO, AM / FM / WB
1	355623A2	1	RADIO, AM / FM / WB / Cassette
1	325061A2	1	RADIO, AM / FM / WB / Cassette / CD Changer Ready
1	86998222	1	RADIO, AM / FM / WB
2	87621241	2	SPEAKER, Co-Axial, 5-1/4"
3	388445A1	1	HOUSING, Subwoofer
4	360215A1	1	Radio
5	87659034	1	SPEAKER, Subwoofer, 8"
6	760-14316	4	SCREW, SELF TAPPING, Pan Hd, M4.2 x 16,
7	86505868	4	NUT, M8, Flg Ser,
8	177269A1	8	NUT, Special
9	1270741C1	8	SCREW, SELF TAPPING, Cross Pan Hd, #8 x 1", Pointed
10	360432A2	1	HARNESS, Antenna, Inc. 11
11	NSS	1	NOT SERVICED SEPARATELY, Grommet
12	317688A1	1	Player, Compact Disc, Delco, 6 Disc
13	86624181	1	WASHER, M6,
14	86625265	1	WASHER, LOCK, Ext Tooth, M6,
15	86639137	1	SCREW, SELF TAPPING, Hex Hd, M6.3 x 13,
16	1535219C1	1	COVER, , Without Radio
17	449071A1	1	HARNESS, CD Changer, 5486 mm (216 in)
18	388489A1	1	CLIP, ELECTRICAL,
18	435436A1	AR	MOUNT, RUBBER, Adhesive Backed
19	86625213	3	SCREW, Hex Soc Hd, M5 x 12, 8.8, Socket, M5 x 12
20	334229A1	1	KIT, AM / FM / WB / Cassette / CD, Inc. 1, 2, 8, 9
21	87607896	1	KIT, AM / FM / WB, Inc. 1, 2, 8, 9
22	719582003	1	KIT, Single CD Player / Radio
23	440567A1	1	CABLE ASSY., Tie
23	435437A1	1	STRAP, CABLE, 3/16" x 7 1/4", 7-1/4"
24	87343754	1	SPACER, , Australian Application

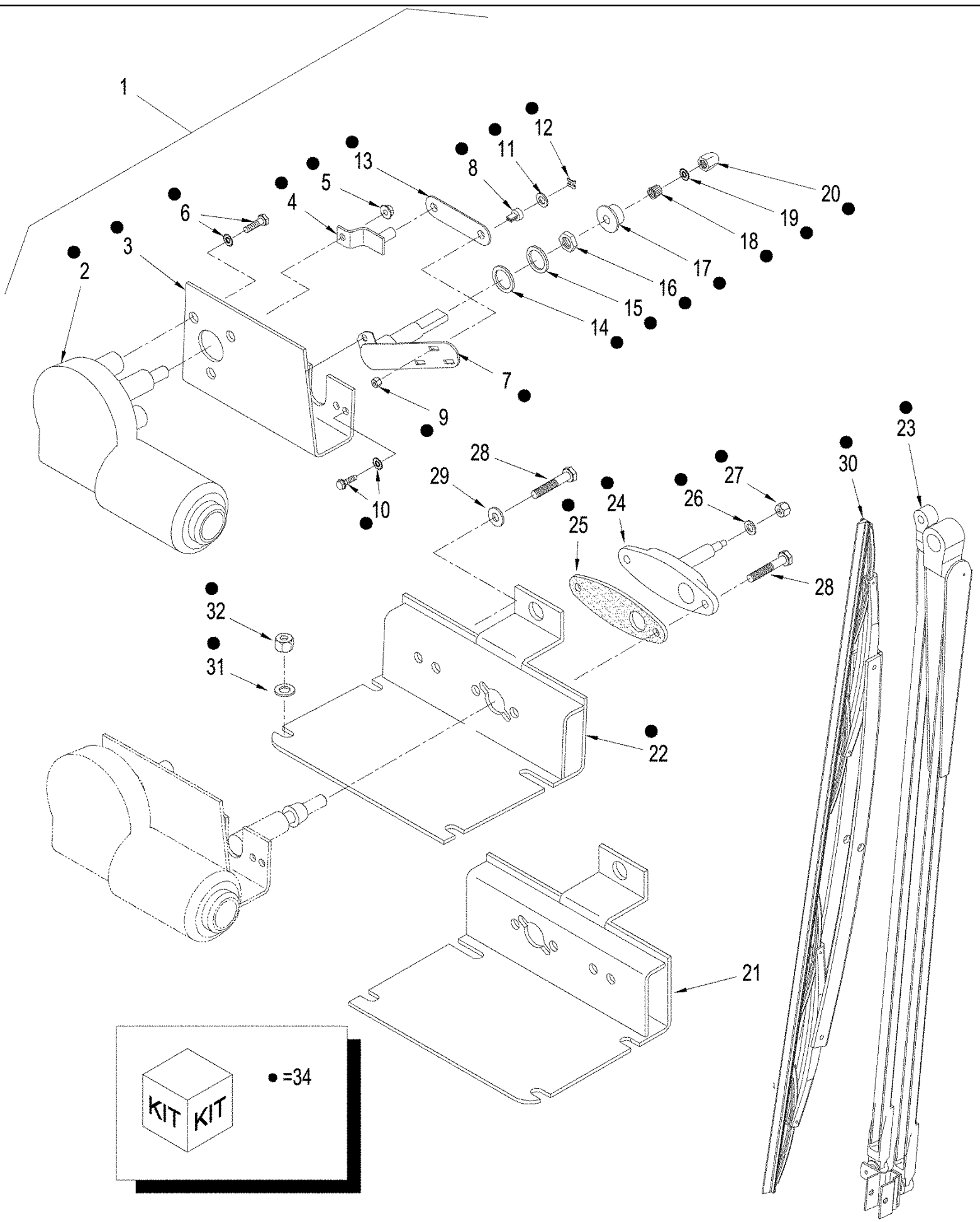
04-04 INSTRUMENT CLUSTER & ROPS POST CONTROLS



04-04 INSTRUMENT CLUSTER & ROPS POST CONTROLS

сылка	Номер детали	Кол-во	Описание
1	87549277	1	MODULE, Basic
1	87520583	1	MODULE, Deluxe
2	NSS	1	NOT SERVICED SEPARATELY, Software, Not Illustrated, Download Software from Service Tool.
3	260-16516	6	SCREW, SELF TAPPING, Cross Pan Hd, #10 x 1",
4	177269A1	6	NUT, Spring
5	394338A1	1	BEZEL, ROPs Post
6	418506A1	1	SWITCH, Park Brake, With Manual Shift Transmission
6	87612339	1	SWITCH, Intellister Disengage, With Power Shift Transmission
7	409808A1	1	INDICATOR, Transmissino Hi / Lo, With Manual Shift Transmission
8	227739A2	1	CONNECTOR, ELEC, Power Port
9	87452321	1	OUTLET, Power
10	406324A2	AR	PLUG, Hole Cover

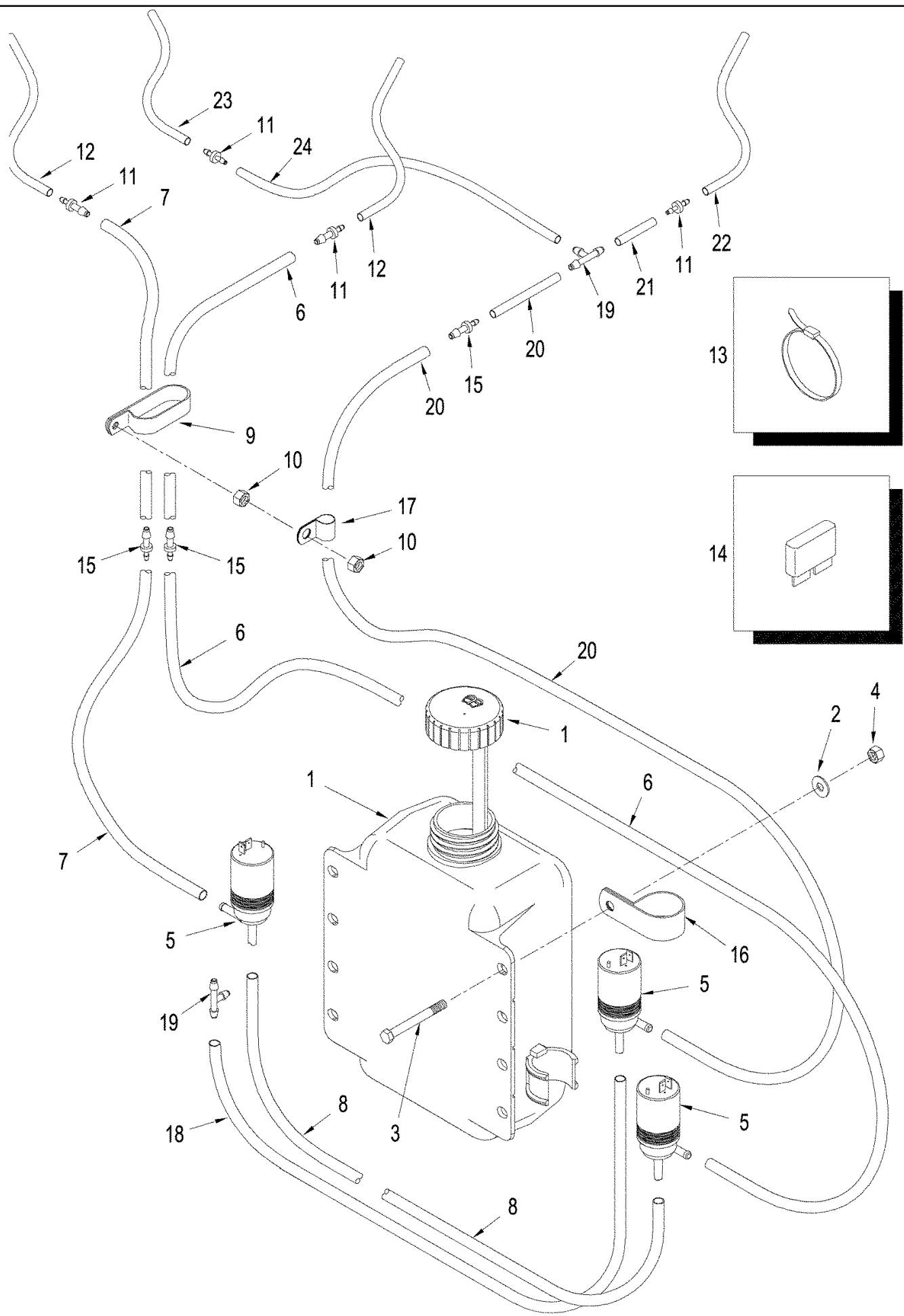
04-05 WIPER, WINDSHIELD - MOUNTING



04-05 WIPER, WINDSHIELD - MOUNTING

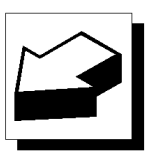
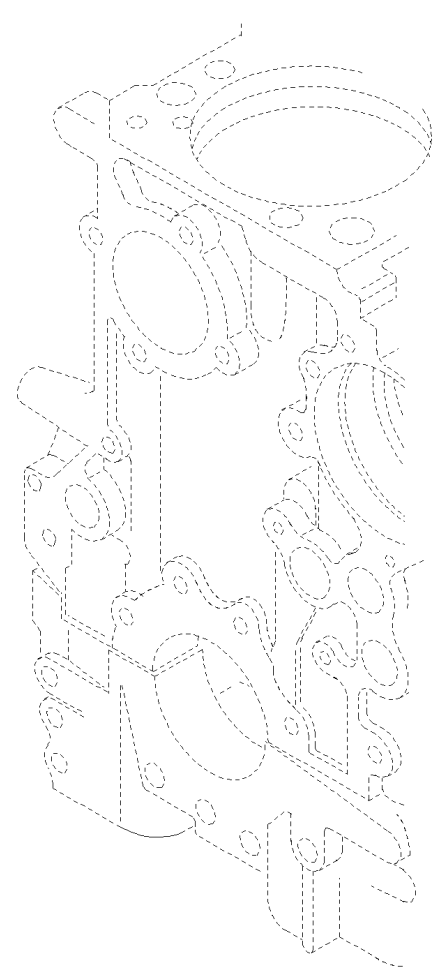
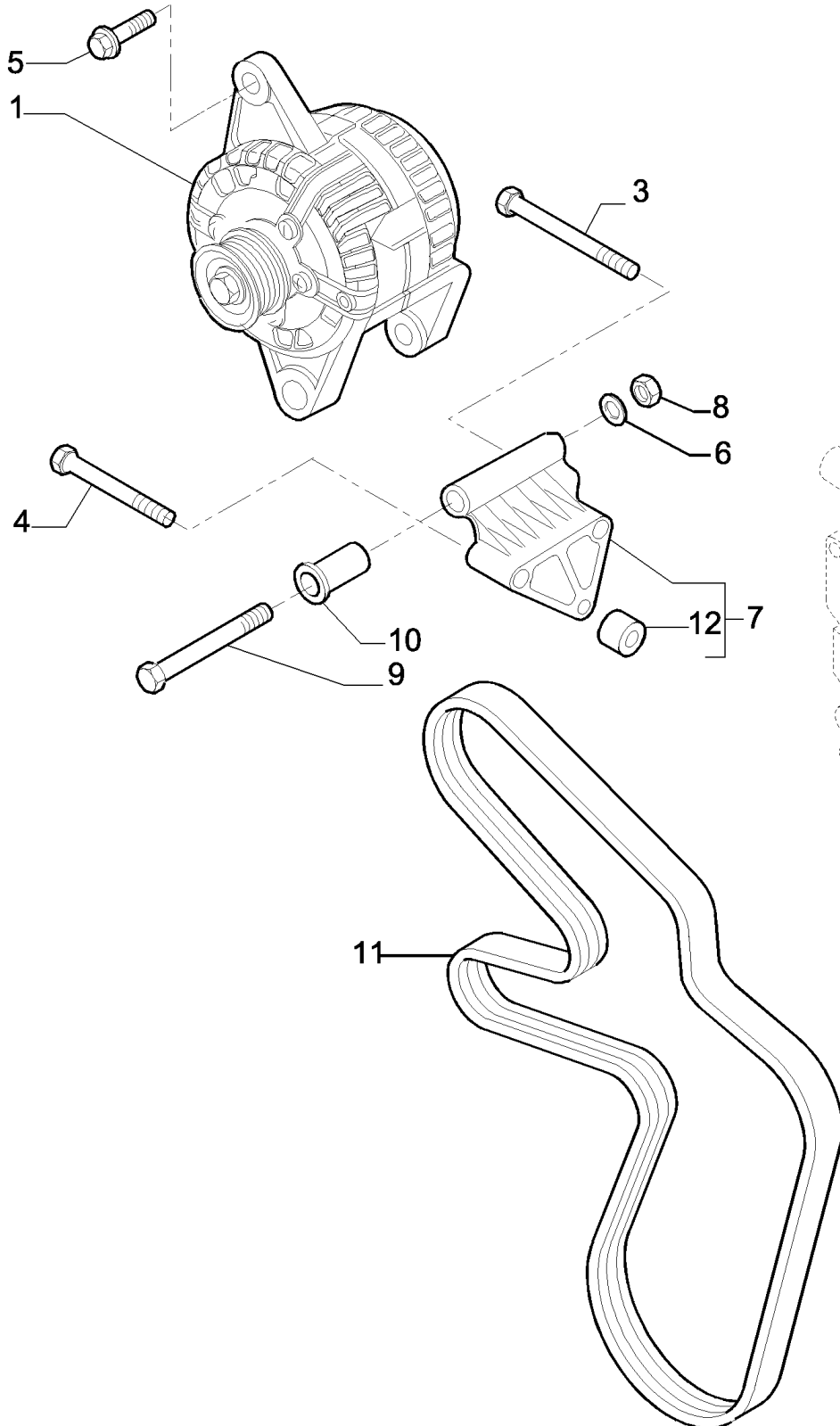
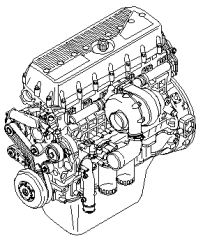
сылка	Номер детали	Кол-во	Описание
	87408490	AR	WIPER MOTOR, Front, Upper, Inc. 2 - 20, 22, 24 - 29
	248812A4	1	WIPER MOTOR, Rear, Upper, Inc. 2 - 20, 22, 24 - 29
1	87307954	1	WIPER MOTOR, Repair, Front, Upper, Inc. 2 - 20
1	87308180	1	WIPER MOTOR, Upper, Rear, Inc. 2 - 20
1	87308226	1	WIPER MOTOR, Fonn, Lower, RH, Inc. 2 - 20
1	87308230	1	WIPER MOTOR, Front, Lower, LH, Inc. 2 - 20
2	87307958	1	WIPER MOTOR, Rear Upper
3	60-6633T1	1	SUPPORT, Wiper Motor
4	87307957	1	ARM, Wiper Motor
5	825-5148	1	NUT, M8, Flg Ser,
6	444867A1	3	SCREW, Button Hd
7	60-6581T91	1	DRIVE ASSY.,
8	NSS	1	NOT SERVICED SEPARATELY, Pin
9	NSS	1	NOT SERVICED SEPARATELY, Nut
10	281024	2	SCREW, Slotted Pan Hd, #10-32 x 1/2", Inc. Lock Washer
11	1-2684	2	WASHER,
12	1-2685	2	CLIP, Spring
13	1-2683	1	LINK,
14	V41916	1	WASHER, Fiber
15	495-81032	1	WASHER, 23/32" x 1 1/4" x .060", Steel
16	V23571	1	NUT,
17	V23568	1	CAP,
18	V23569	1	GUIDE, Knob, Knurled
19	60-6634T1	1	PLATE, LOCKING, Washer
20	60-6635T1	1	NUT,
21	87362320	1	PLATE, MOUNTING, Lower Front, RH
22	87362317	1	PLATE, MOUNTING, Upper / Lower, LH
23	87557932	AR	WIPER ARM, 20"
	435472A1	1	PIVOT ASSY., Pantograph, Inc. 24 - 27
24	NSS	1	NOT SERVICED SEPARATELY, Body, Pantograph
25	2-4190T1	1	GASKET, Mounting
26	2-4191T1	1	WASHER,
27	2-4192T1	1	NUT,
28	86637928	3	BOLT, Hex, 1/4"-28 x 1 1/2", G5,
29	87361	1	WASHER, 1/4", SAE,
30	334715A1	2	BLADE, Wiper, 660 mm (26"), Lower Front
30	353273A1	2	BLADE, Wiper, 559 mm (22"), Upper Front / Rear
31	86624184	10	WASHER, M8 x 16 x 1.6,
32	86528579	4	NUT, LOCK, M8 x 1.25, CI 10,
33	126844A1	1	PLUG, Switch Hole, Not Illustrated
34	719518003	1	KIT, Rear Washer / Wiper

04-06 WINDSHIELD WASHER



04-06 WINDSHIELD WASHER

сылка	Номер детали	Кол-во	Описание
1	313576A1	1	RESERVOIR, Windsheild Washer
2	895-11008	4	WASHER, M8 x 16 x 1.6,
3	811-8030	4	BOLT, CARRIAGE, Short NK, M8 x 30, CI8.8, Full Thd,
4	829-1408	7	NUT, M8, CI 10,
5	1964696C2	3	PUMP, Windsheild Washer Fluid
6	398715A1	1	HOSE, 4775 mm (188"), Front Wiper
7	398714A1	1	HOSE, 3302 mm (130", Rear Wiper
8	31-2422	2	HOSE, 254 mm (10"), Cut From 4-1056
9	369708A1	4	CLAMP, Hose
10	829-1410	AR	NUT, M10, CI 10,
11	31-2364	4	FITTING, 3/16 x 7/64
12	31-2608	2	HOSE, 200 mm (8"), Rear Wiper
13	435437A1	6	STRAP, CABLE, 3/16" x 7 1/4",
14	121414A1	1	FUSE, 20 Amp
14	121416A1	1	FUSE, 30 Amp
15	324203A1	2	VALVE, CHECK,
16	515-24349	1	CLAMP, 1 3/8", Insul, 7/16" Bolt,
17	515-2495	4	CLAMP, 3/8", Insul, 7/16" Bolt,
18	31-2866	1	HOSE, 160 mm (24"), Cut From 4-1056T1
19	31-2363	3	TEE,
20	31-2936	1	HOSE, 4775 mm (188"), Cut From 4-1056T1
21	384139A1	1	HOSE ASSY.,
22	384141A1	1	HOSE ASSY.,
24	384140A1	1	HOSE ASSY.,
23	384142A1	1	HOSE ASSY., 250 mm (10"), Cut From 31-2607T1

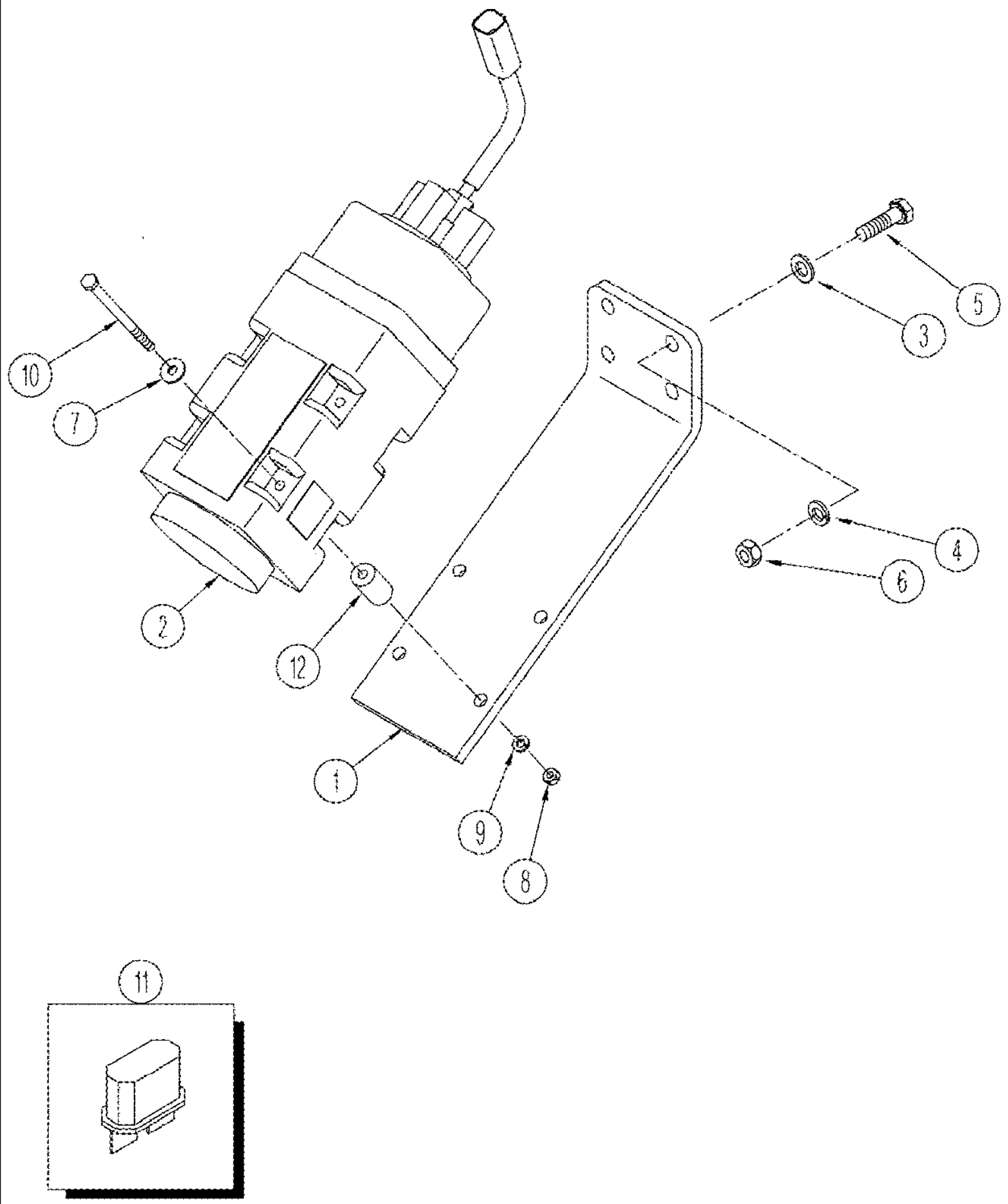


T9040 4WD TRACTOR, ASN (8/07-) - Electrical System

04-07 ALTERNATOR - MOUNTING, T9030 / 9040 & T9050

сылка	Номер детали	Кол-во	Описание
1	504132109	1	ALTERNATOR, 175 Amp, with Pulley
2	87677208	1	ALTERNATOR, 175 Amp, without Pulley, Not Illustrated
3	16593025	1	BOLT, M10X90 mm
4	16596625	2	DOWEL, M10X1,5X125 mm
5	504080581	1	SCREW,
6	17095314	2	WASHER, D=12X24 mm, T9030 / 9040
6	17097324	1	WASHER, LOCK, 12 x 24 mm, T9050
7	504154753	1	BRACKET, Support, Alternator Mounting, Inc. 12
8	17038421	1	NUT, M12
9	16600025	1	BOLT, M12X160 mm
10	504080582	1	SPACER,
11	87282333	1	BELT, Accessory Drive, Alternator, Water Pump & A/C
12	98405462	2	DOWEL,

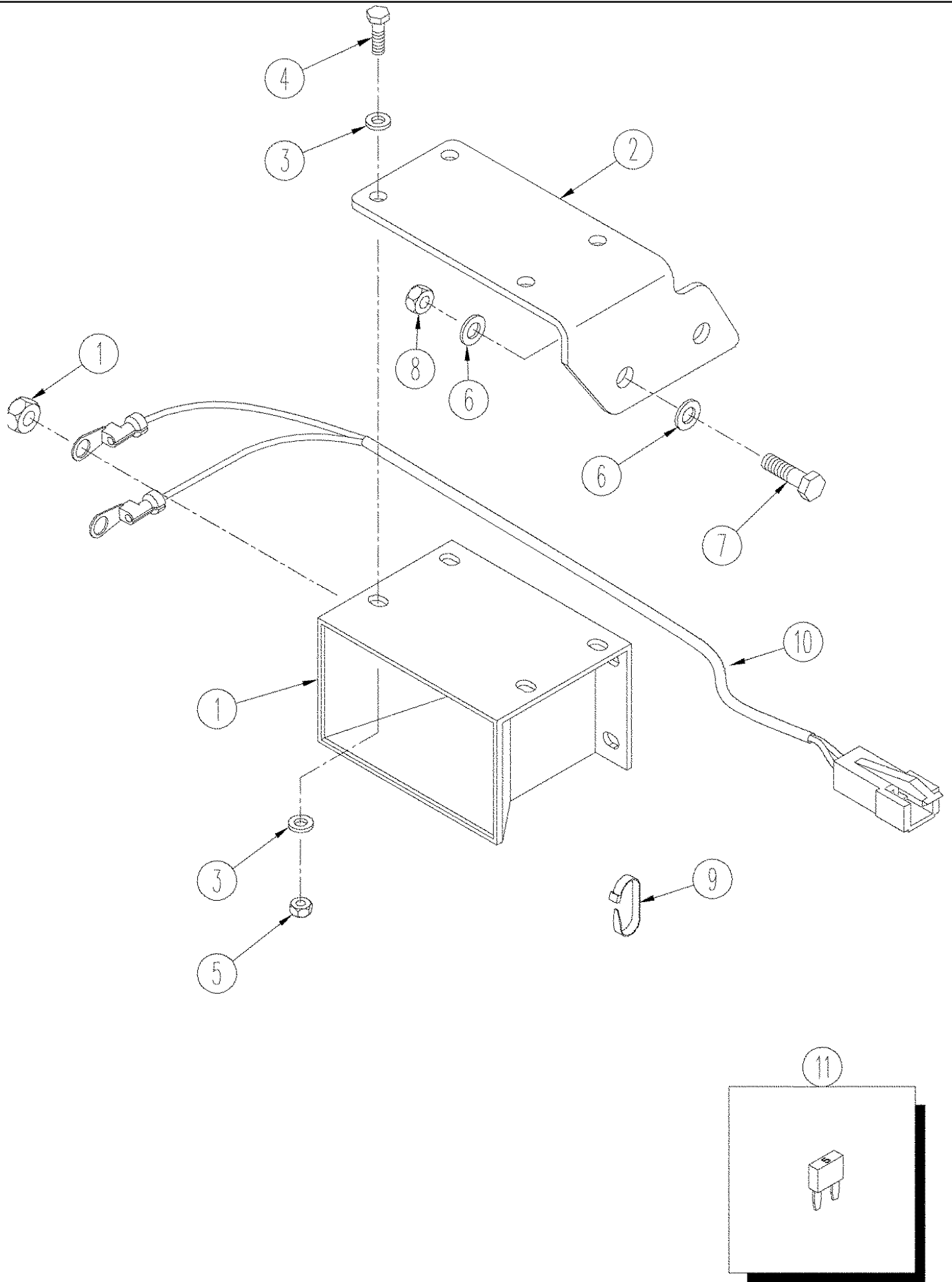
04-11 GROUND SPEED SENSOR



04-11 GROUND SPEED SENSOR

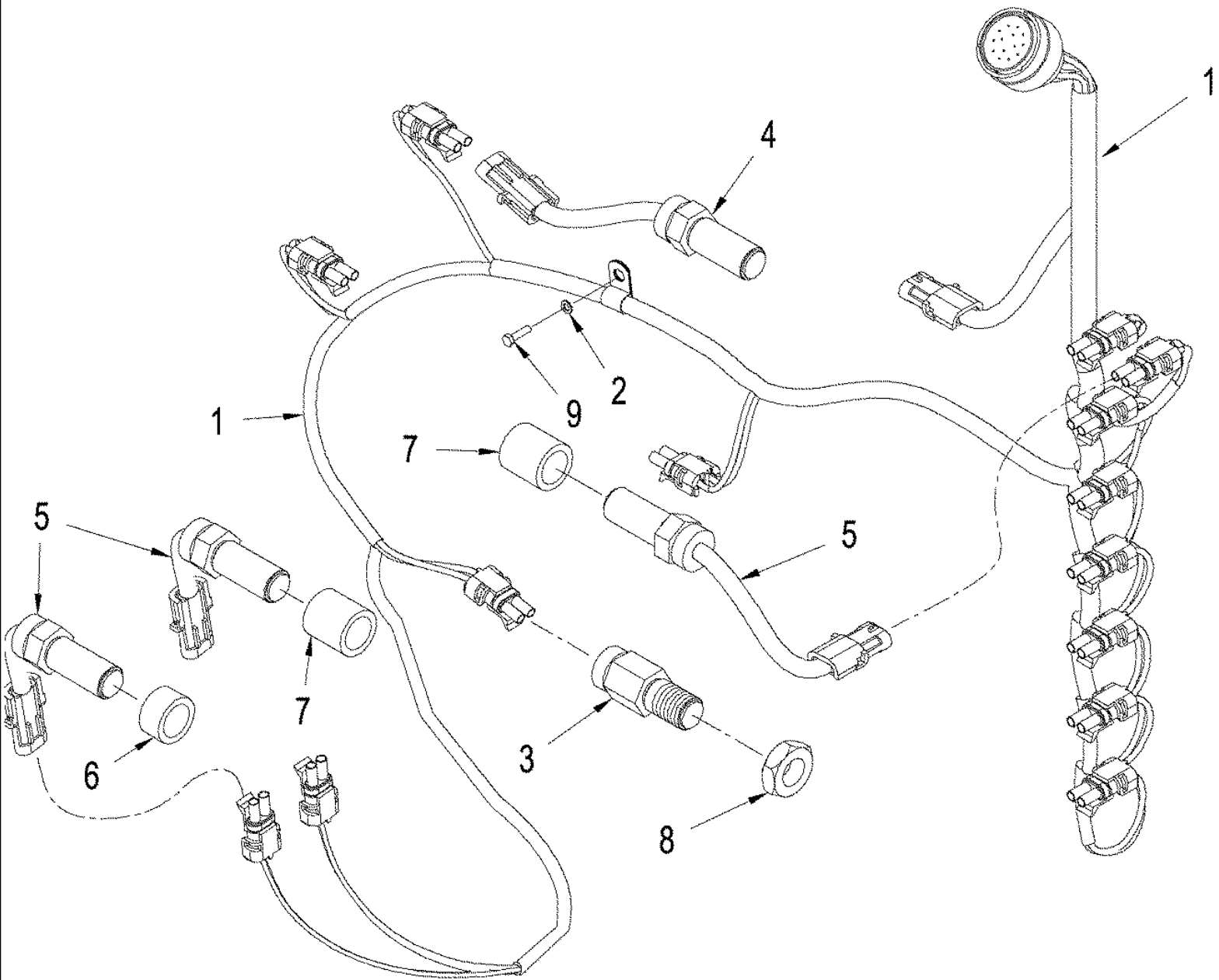
сылка	Номер детали	Кол-во	Описание
	719571003	1	KIT, Ground Speed Sensor, Inc. 1 - 12
1	414936A1	1	BRACKET, Bracket, Radar Mounting
2	228760A1	1	RADAR, Ground Speed
3	86624176	4	WASHER, M10 x 20 x 2,
4	140028	4	WASHER, M10,
5	86624978	4	BOLT, Hex, M10 x 35, 10.9, Full Thd,
6	86500689	4	NUT, M10, CI 10,
7	86624182	4	WASHER, M6 x 18 x 1.6,
8	86500688	4	NUT, M6, CI 10,
9	86517328	4	WASHER, LOCK, M6,
10	86639208	4	BOLT, Hex, M6 x 100, 10.9,
11	121412A1	1	FUSE, 10 Amp
12	414937A1	4	SPACER,

04-12 ALARM - BACK-UP



04-12 ALARM - BACK-UP

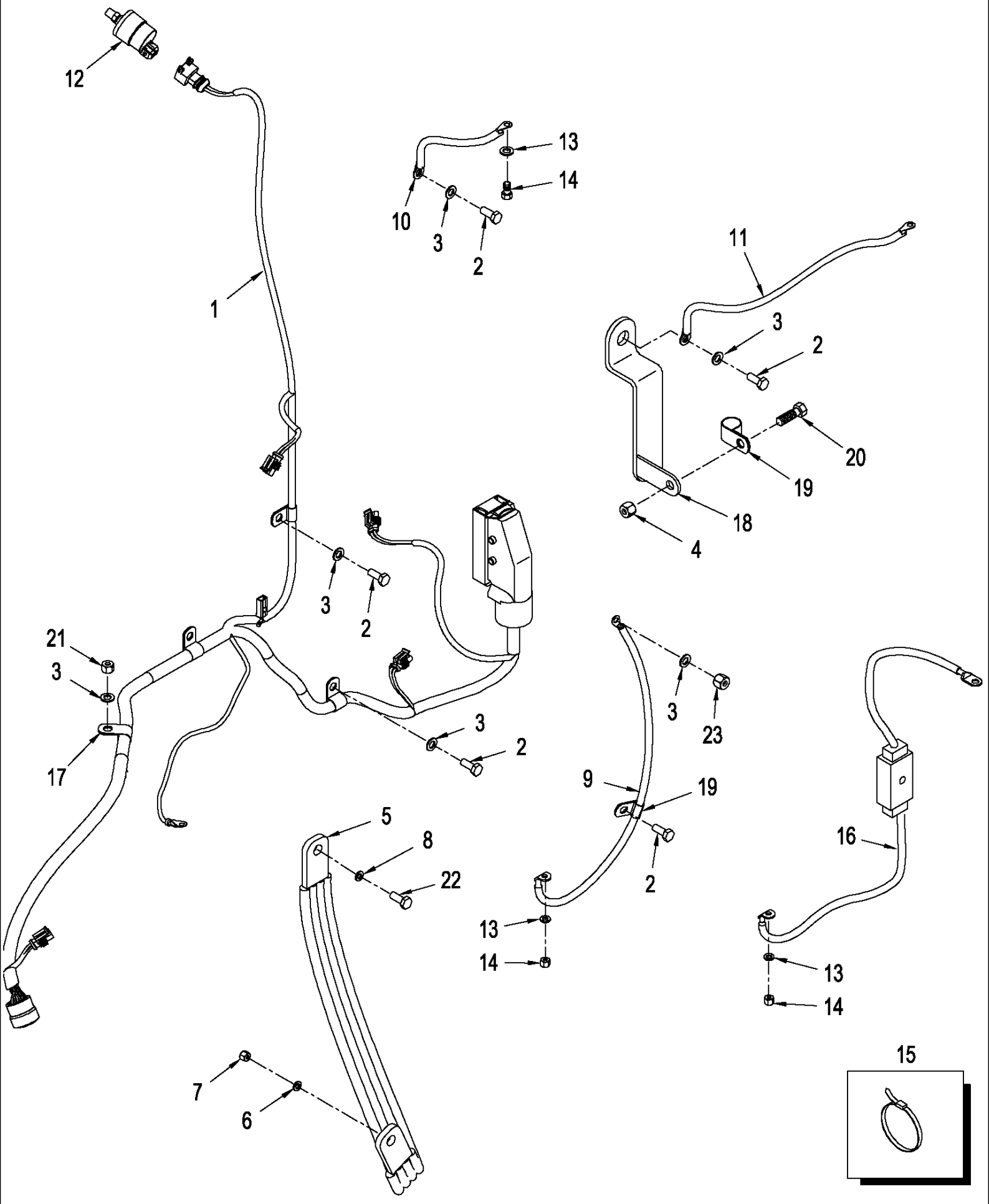
сылка	Номер детали	Кол-во	Описание
1	D121972	1	ALARM, Inc. Nuts
2	440134A1	1	BRACKET, Mounting, Alarm backup
3	86639317	8	WASHER, M6 x 13 x 2, HT,
4	86624176	4	WASHER, M10 x 20 x 2,
5	86500688	4	NUT, M6, CI 10,
6	86624176	4	WASHER, M10 x 20 x 2,
7	86624978	2	BOLT, Hex, M10 x 35, 10.9, Full Thd,
8	86500689	2	NUT, M10, CI 10,
9	435437A1	2	STRAP, CABLE, 3/16" x 7 1/4",
10	391364A1	1	HARNESS, Alarm Backup
11	121410A1	1	FUSE, 5 Amp



T9040 4WD TRACTOR, ASN (8/07-) - Electrical System

04-13 HARNESS - TRANSMISSION, POWER SHIFT

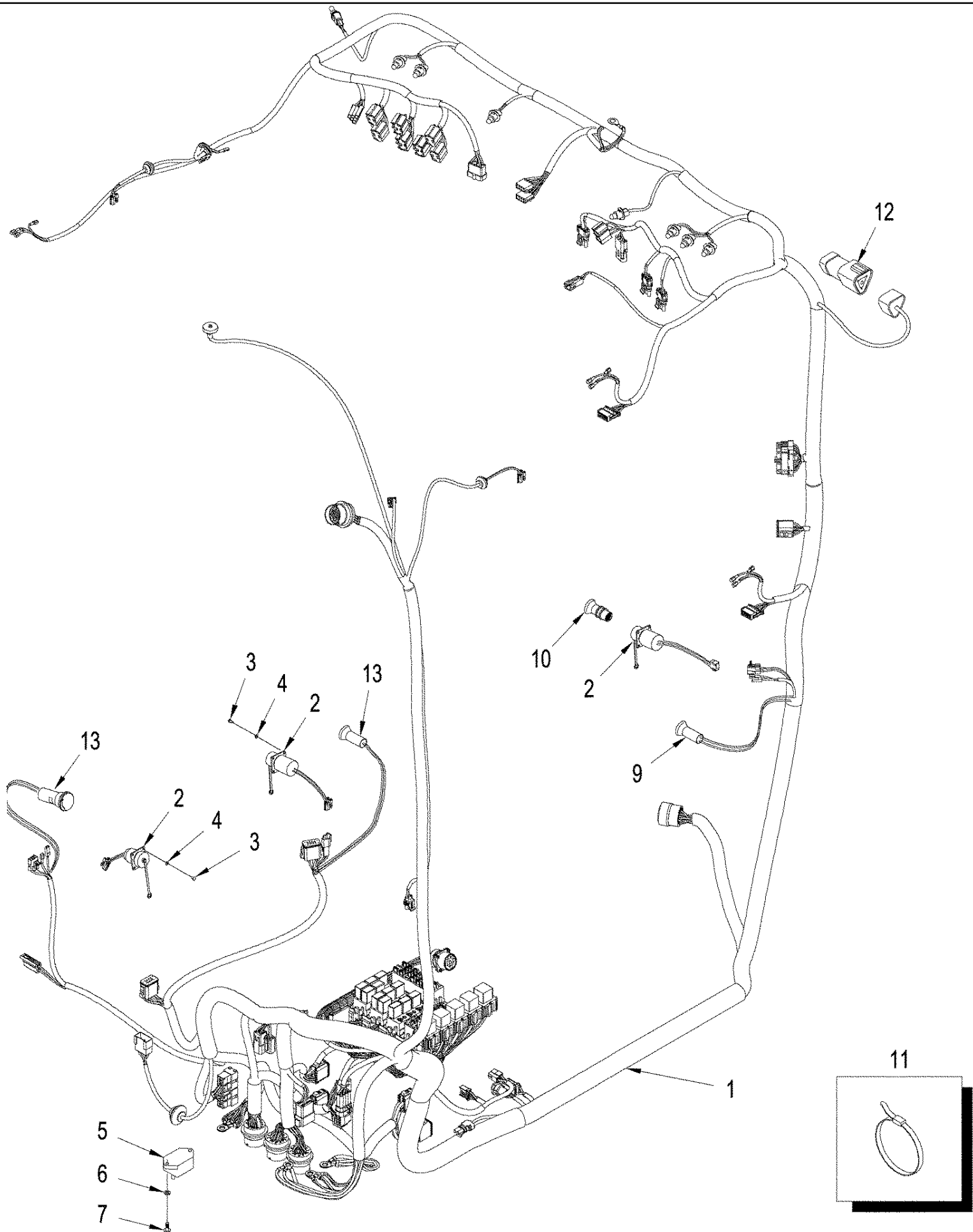
сылка	Номер детали	Кол-во	Описание
1	87376305	1	HARNESS, Transmission, Powershift
2	86625261	8	WASHER, M5 x 10 x 1,
3	A186004	1	SENSOR, Engine Speed
4	86987513	1	SENSOR, Pressure
5	87449451	3	SENSOR, Gear Speed
6	87351750	1	SPACER, 29.385 mm
7	87351748	2	SPACER, 15.217 mm
8	934120R1	4	NUT, Thin, M20 x 1.5,
9	627-8016	1	BOLT, Hex, M8 x 16, 10.9,



T9040 4WD TRACTOR, ASN (8/07-) - Electrical System

04-14 HARNESS - ENGINE, T9030 / 9040 & T9050

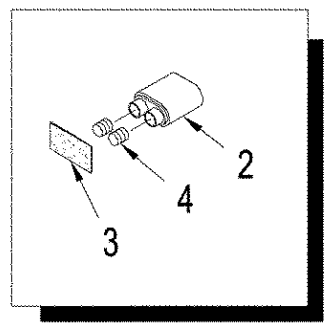
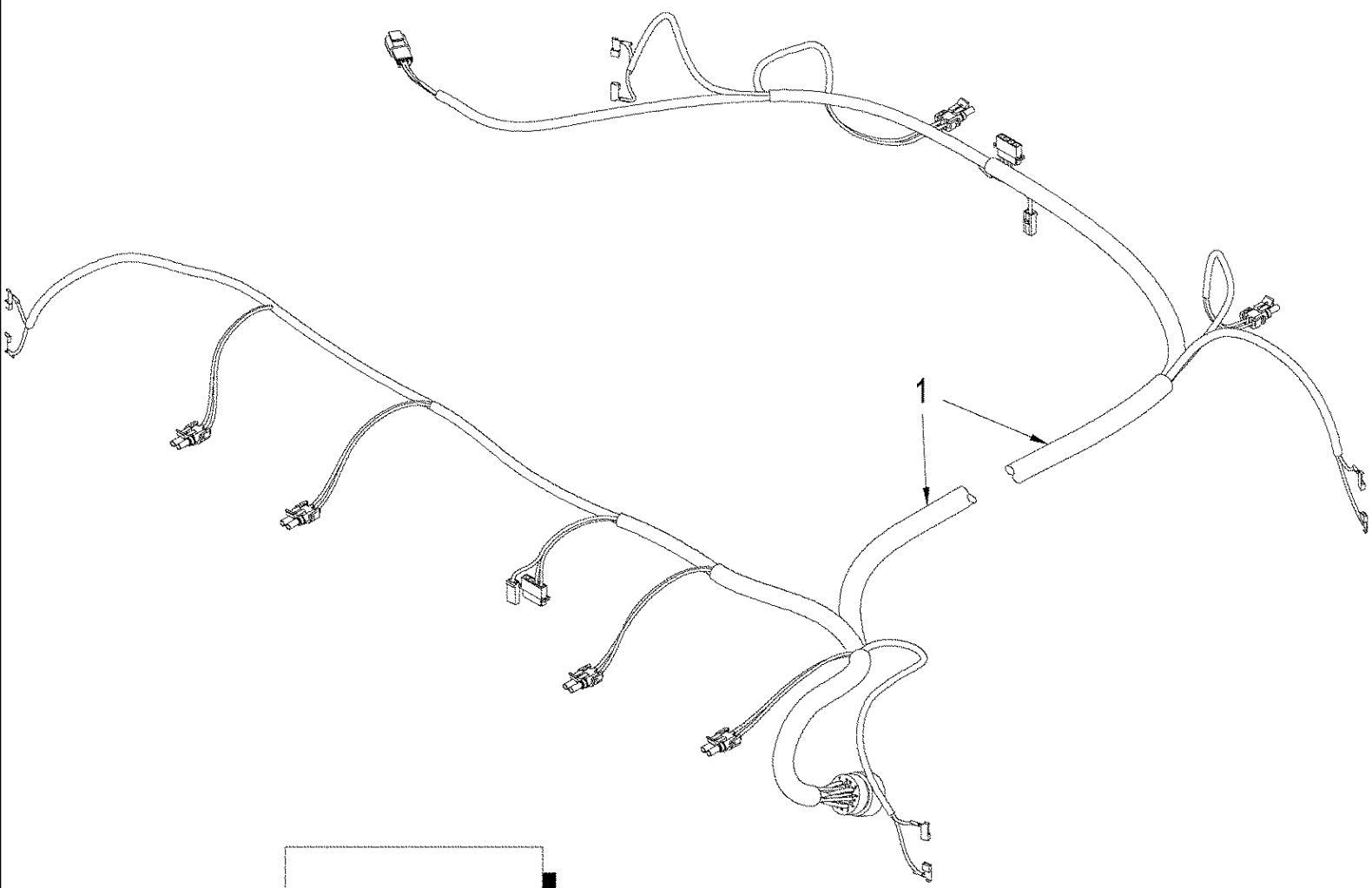
сылка	Номер детали	Кол-во	Описание
1	87516330	1	HARNESS,
2	43233	8	BOLT, Hex, M8 x 20, 10.9,
3	86624184	9	WASHER, M8 x 16 x 1.6,
4	829-1408	2	NUT, M8, CI 10,
5	87362573	1	CABLE, GROUND, Engine to Chassis Ground
6	86625255	1	WASHER, M13.5 x 24.5 x 3, HT,
7	337475	1	NUT, M12, CI 10,
8	896-15018	1	WASHER, M18 x 41.5 x 5, HT,
9	87548591	1	CABLE, Heater Relay to Fuse
10	87548592	1	CABLE, Heater to Ground
11	87353517	1	CABLE, GROUND, A/C Ground Wire
12	293797A1	1	SWITCH, Air Restriction
13	86624181	4	WASHER, M6,
14	412250	4	NUT, LOCK, M8 x 1.25, CI 8,
15	L11541	7	STRAP, CABLE, 7 - 8"
16	87542685	1	CABLE, Alternator to Grid Heater
17	515-23254	1	CLAMP, 1", Insul, 3/8" Bolt,
18	87537694	1	BRACKET, Alternator Cable
19	515-23175	2	CLAMP, 11/16", Insul, 3/8" Bolt,
20	627-8025	1	BOLT, Hex, M8 x 25, 10.9,
21	829-1408	2	NUT, M8, CI 10,
22	87384304	1	BOLT, M18 x 2 x 50, CL10.9
23	832-10408	1	NUT, LOCK, M8 x 1.25, CI 8,



04-16 HARNESS - MAIN CAB, DELUXE AND LUXURY CABS

сылка	Номер детали	Кол-во	Описание
	87537317	1	MODULE, Electronics, Inc. 1, See Figure: 04-25, With Power Shift Transmission
	87537318	1	MODULE, Electronis, Inc. 1, See Figure: 04-25, With Manual Shift Transmission
1	NSS	1	NOT SERVICED SEPARATELY, Harness, Main Cab
2	227739A2	3	CONNECTOR, ELEC, Power
3	383986A1	12	RIVET,
4	86639310	12	WASHER, M3,
5	435435A1	1	CIRCUIT BREAKER,
6	86624181	5	WASHER, M6,
7	86511829	2	SCREW, Cross Pan Hd, M6 x 16,
8	279265A2	1	SWITCH, Differential Lock
9	87452321	1	OUTLET, Power
10	388810A1	1	ELEMENT, Pop-Out Lighter
11	L18331	1	STRAP, CABLE,
12	84058092	1	CONNECTOR, TERMINAL, 120 Ohm Resistor,
13	388813A1	2	OUTLET, Power

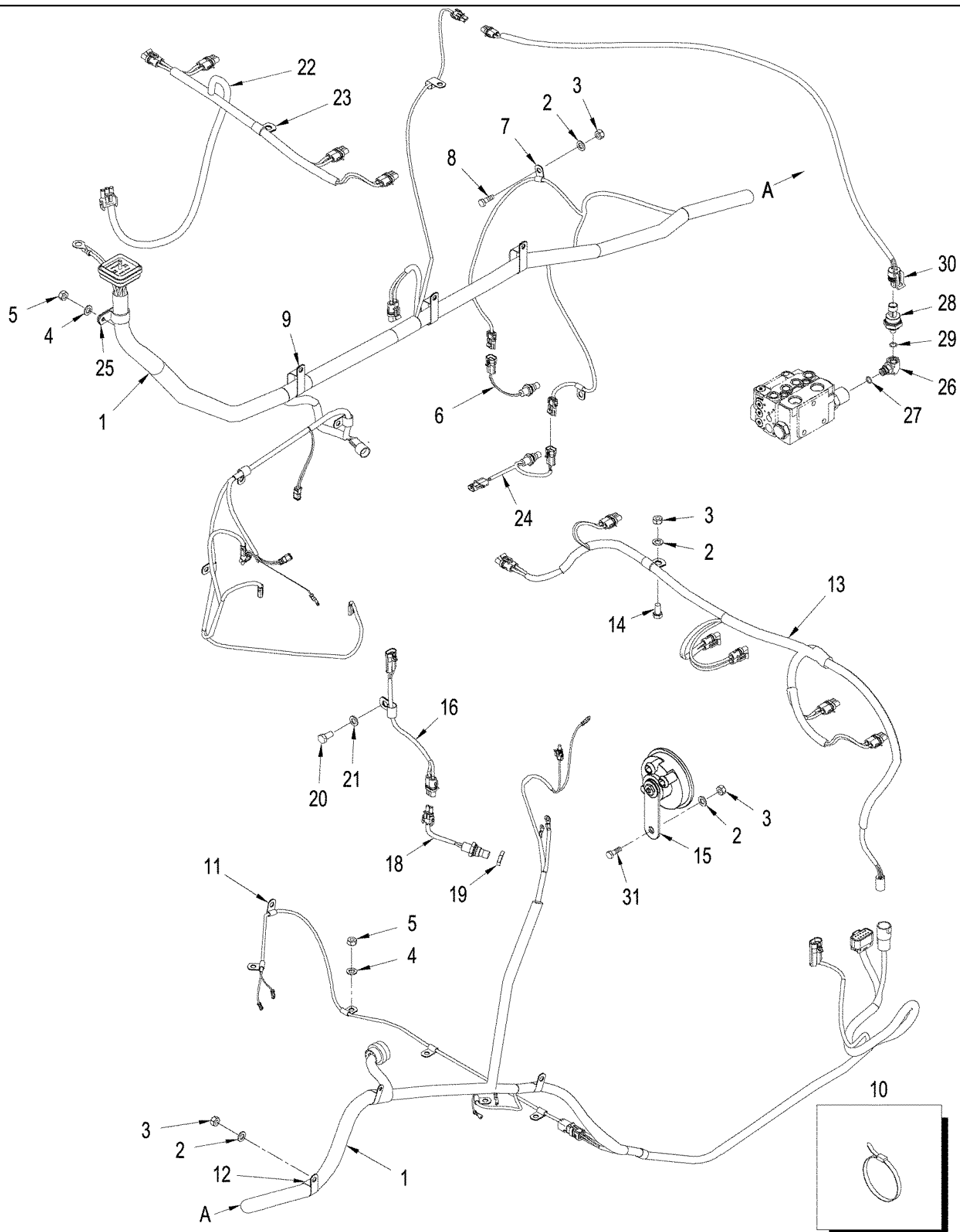
04-17 HARNESS - CAB ROOF



04-17 HARNESS - CAB ROOF

сылка	Номер детали	Кол-во	Описание
1	87378213	1	HARNESS, Cab Roof
2	245483C1	2	CONNECTOR, ELEC, Two Cavity, Without Field Lights
3	408658A1	2	DECAL, Cover, Without Field Lights
4	225127C1	4	PLUG, Type V4

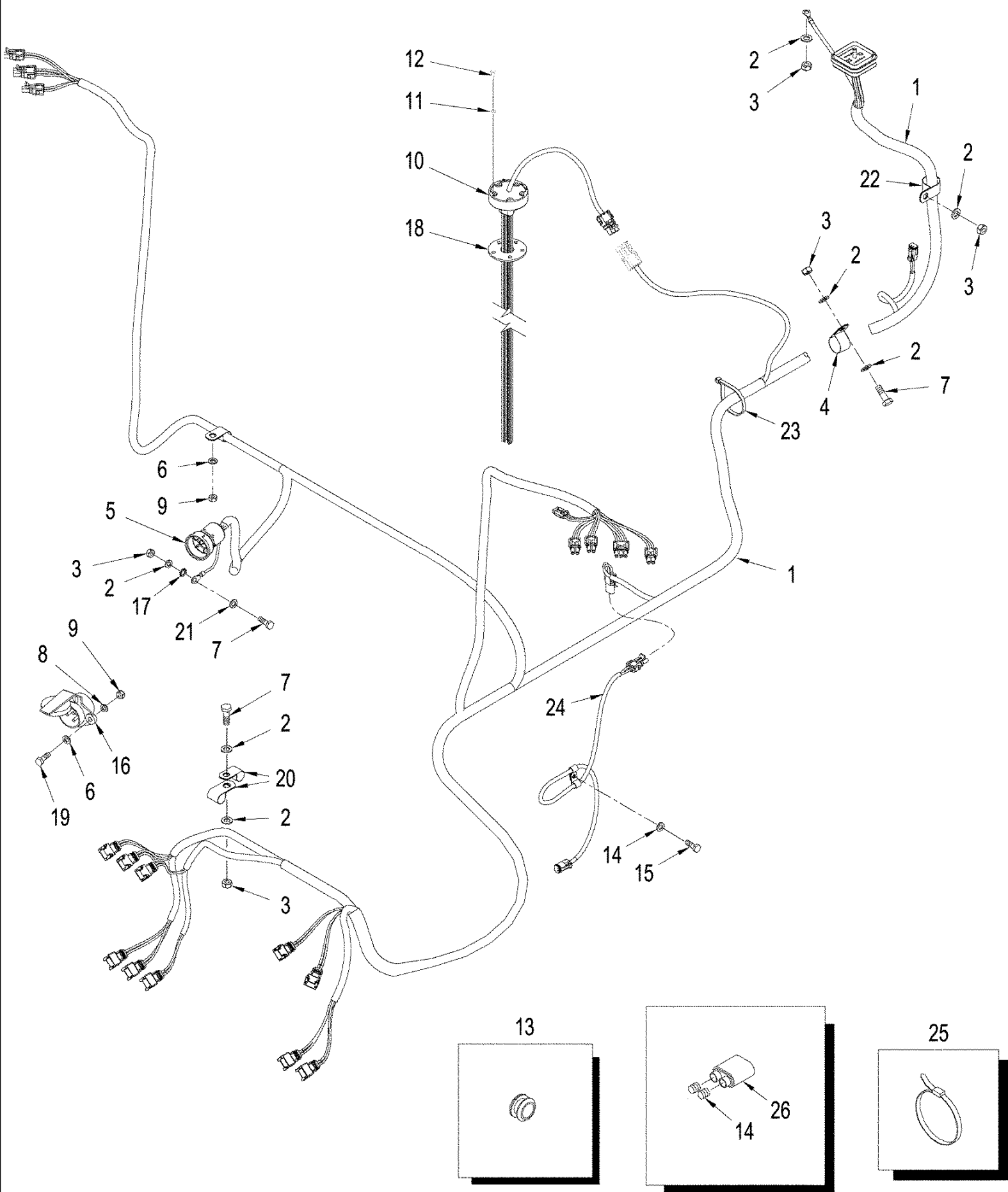
04-18 HARNESS - FRONT FRAME



T9040 4WD TRACTOR, ASN (8/07-) - Electrical System

04-18 HARNESS - FRONT FRAME

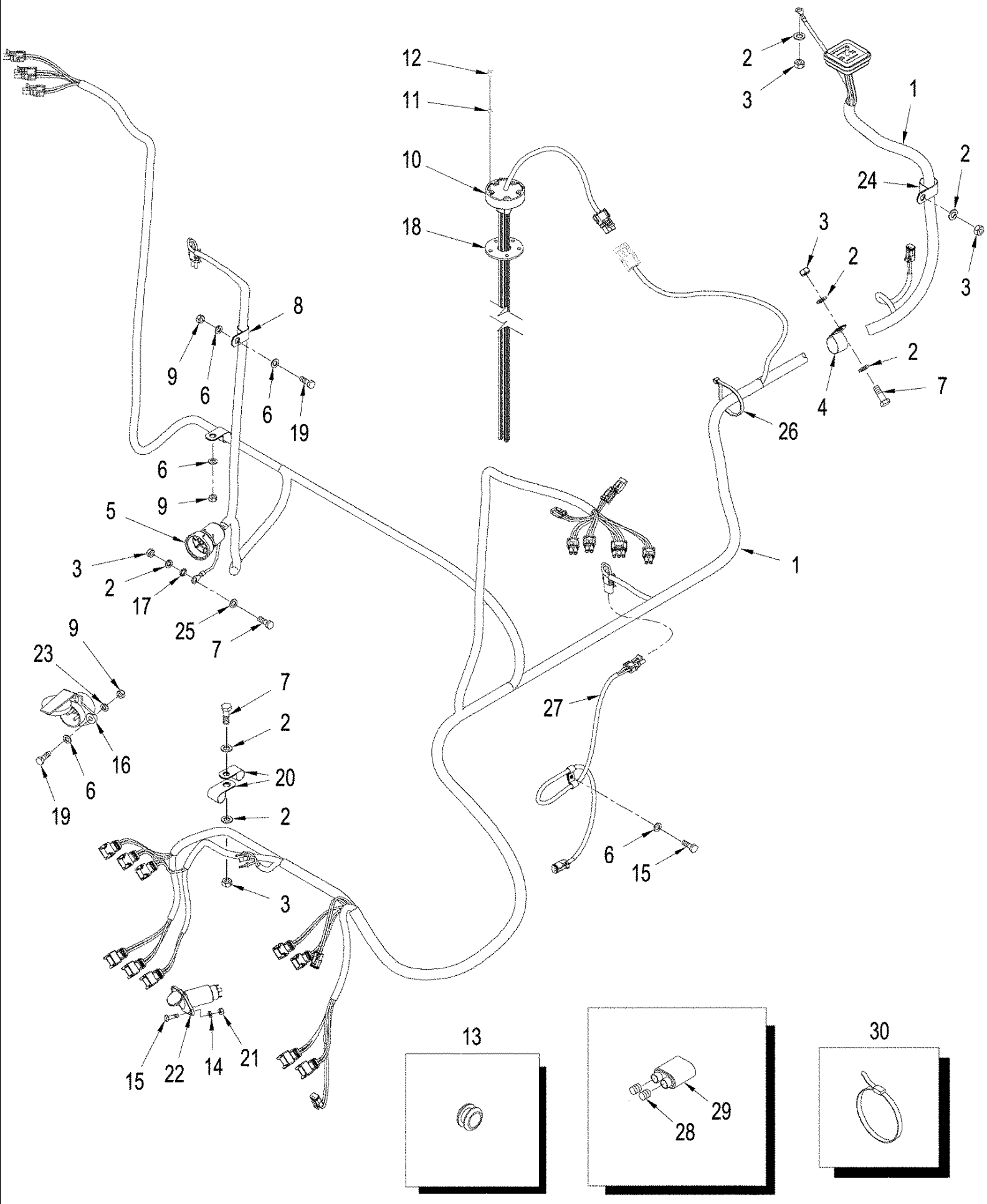
сылка	Номер детали	Кол-во	Описание
1	87398406	1	HARNESS, Front Frame
2	86624184	13	WASHER, M8 x 16 x 1.6,
3	43362	11	NUT, M8, CI 10,
4	86624176	6	WASHER, M10 x 20 x 2,
5	86500689	6	NUT, M10, CI 10,
6	330124A1	1	SWITCH, Temperature, Axle Lube
7	86639010	1	CLAMP, 3/8", Insul, 1/2" Bolt,
8	120103	3	BOLT, Hex, M8 x 16, 8.8,
9	L111928	3	CLAMP, Double
10	435437A1	2	STRAP, CABLE, 3/16" x 7 1/4",
10	L11541	2	STRAP, CABLE, Steering Harness
11	86572009	1	CLAMP, 3/8", Insul, 3/8" Bolt,
12	86637995	1	CLAMP, 1 1/16", Insul, 3/8" Bolt,
13	87445193	1	HARNESS, Light Bar, T9030 / 9040
13	87369666	1	HARNESS, Light Bar, T9050 / 9060
14	300506	2	BOLT, Hex, M6 x 25, 8.8,
15	87049215	1	HORN, FC9
16	87545505	1	HARNESS, Manual Transmission
17	87376305	1	HARNESS, Power Shift Transmission
18	A186004	1	SENSOR, Transmission Engine Speed
19	934120R1	1	NUT, Thin, M20 x 1.5, Jam
20	388113	1	BOLT, Hex, M12 x 16, 8.8, Full Thd,
21	86625255	1	WASHER, M13.5 x 24.5 x 3, HT,
22	371122A2	1	HARNESS, Lower Wipers
23	515-2295	1	CLAMP, 3/8", Insul, 5/16" Bolt,
24	339529A1	1	SWITCH, Pressure, Park Brake
25	515-25381	1	CLAMP, 1 1/2", Insul, 1/2" Bolt,
26	87539795	1	ELBOW, 90, M12 or x 14, Inc. 27
27	637-63093	1	O-RING, CI 6, 9.3MM ID x 2.2 Thk,
28	375644A1	1	Sensor Pressure, Inc. 29
29	637-63113	1	O-RING, CI 6, 11.3MM ID x 2.2 Thk,
30	87551744	2	HARNESS, WIRE, Steering Pressure Sensor
31	627-8016	1	BOLT, Hex, M8 x 16, 10.9,



04-19 HARNESS - REAR FRAME, WITH ELECTRONIC REMOTE, WITHOUT THREE POINT HITCH

сылка	Номер детали	Кол-во	Описание
1	87398414	1	HARNESS, Rear Frame
2	86624176	8	WASHER, M10 x 20 x 2,
3	86500689	8	NUT, M10, CI 10,
4	515-23381	2	CLAMP, 1 1/2", Insul, 3/8" Bolt,
5	481849C1	1	COVER, Connector Boot
6	86624184	12	WASHER, M8 x 16 x 1.6,
7	614-10030	4	BOLT, Hex, M10 x 30, 8.8,
8	892-11008	2	WASHER, LOCK, M8,
9	43362	9	NUT, M8, CI 10,
10	87393112	1	SENSOR, Fuel Level
11	895-11005	5	WASHER, M5 x 10 x 1,
12	614-5010	5	BOLT, Hex, M5 x 10, 8.8, Full Thd,
13	328265A1	3	GROMMET,
14	225127C1	8	PLUG, Type V4
15	120100	4	BOLT, Hex, M6 x 20, 8.8,
16	121645C1	1	SOCKET/RECEPTACLE,
17	86632602	1	WASHER, LOCK, Ext Tooth, M10,
18	87537695	1	GASKET,
19	43234	2	BOLT, Hex, M8 x 25, 10.9,
20	515-2595	1	CLAMP, 3/8", Insul, 1/2" Bolt,
21	140028	1	WASHER, M10,
22	515-25254	1	CLAMP, 1", Insul, 1/2" Bolt,
23	440567A1	1	CABLE ASSY., Tie
24	392227A1	1	HARNESS, Differential Lock
25	435437A1	2	STRAP, CABLE, 3/16" x 7 1/4",
26	245483C1	4	CONNECTOR, ELEC, , Without Field Lights

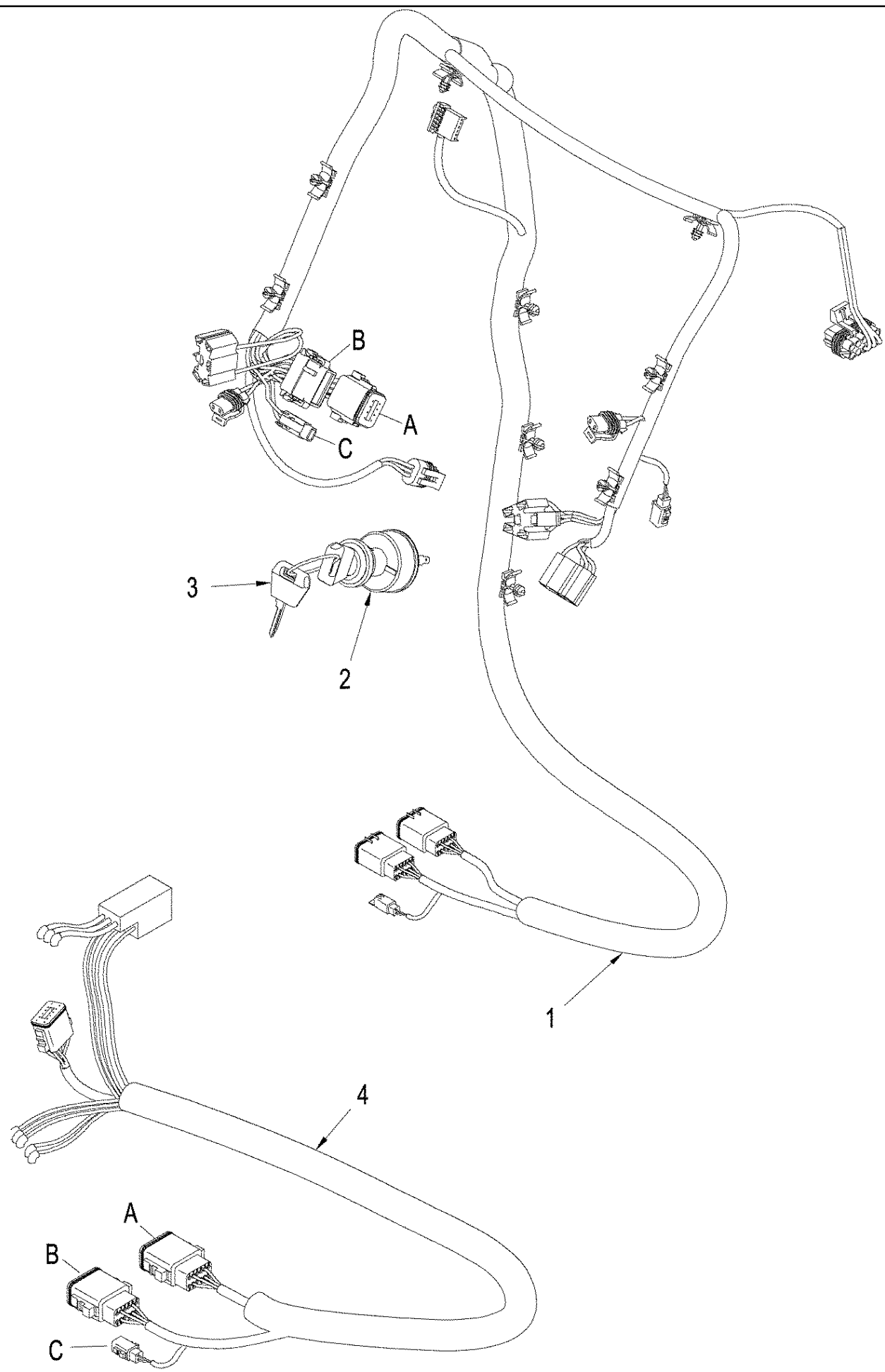
04-20 HARNESS - REAR FRAME, WITH ELECTRONIC REMOTE AND THREE POINT HITCH



04-20 HARNESS - REAR FRAME, WITH ELECTRONIC REMOTE AND THREE POINT HITCH

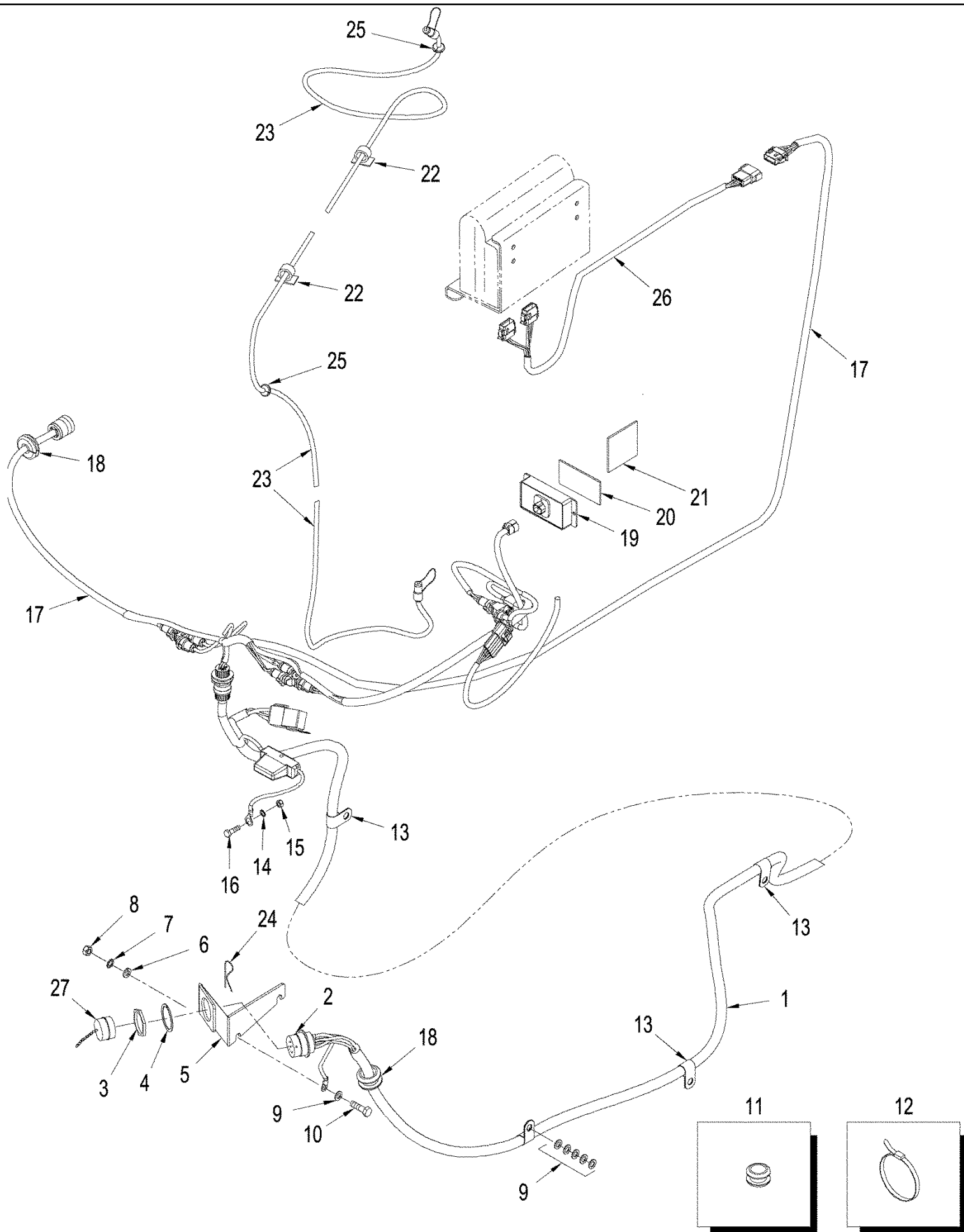
сылка	Номер детали	Кол-во	Описание
1	87574398	1	HARNESS, Rear Frame
2	86624176	8	WASHER, M10 x 20 x 2,
3	86500689	8	NUT, M10, CI 10,
4	515-23381	2	CLAMP, 1 1/2", Insul, 3/8" Bolt,
5	481849C1	1	COVER,
6	86624184	12	WASHER, M8 x 16 x 1.6,
7	614-10030	4	BOLT, Hex, M10 x 30, 8.8,
8	86639003	1	CLAMP, 3/8", Insul, 7/16" Bolt,
9	43362	10	NUT, M8, CI 10,
10	87393112	1	SENSOR, Fuel Level, Inc. 18
11	895-11005	6	WASHER, M5 x 10 x 1,
12	614-5010	5	BOLT, Hex, M5 x 10, 8.8, Full Thd,
13	328265A1	3	GROMMET,
14	86624181	4	WASHER, M6,
15	120100	2	BOLT, Hex, M6 x 20, 8.8,
16	121645C1	1	SOCKET/RECEPTACLE,
17	86632602	1	WASHER, LOCK, Ext Tooth, M10,
18	87537695	1	GASKET, Fuel Level Sender
19	43234	5	BOLT, Hex, M8 x 25, 10.9,
20	86639010	1	CLAMP, 3/8", Insul, 1/2" Bolt,
21	86500688	2	NUT, M6, CI 10,
22	367322A1	1	CONNECTOR, Remote, Three Point Hitch
23	892-11008	2	WASHER, LOCK, M8,
24	515-25254	1	CLAMP, 1", Insul, 1/2" Bolt,
25	140028	1	WASHER, M10,
26	440567A1	1	CABLE ASSY.,
27	392227A1	1	HARNESS, Differential Lock
28	225127C1	8	PLUG, Type V4
29	245483C1	4	CONNECTOR, ELEC, , Without Field Lights
30	435437A1	2	STRAP, CABLE, 3/16" x 7 1/4",

04-21 HARNESS - FRONT CONSOLE



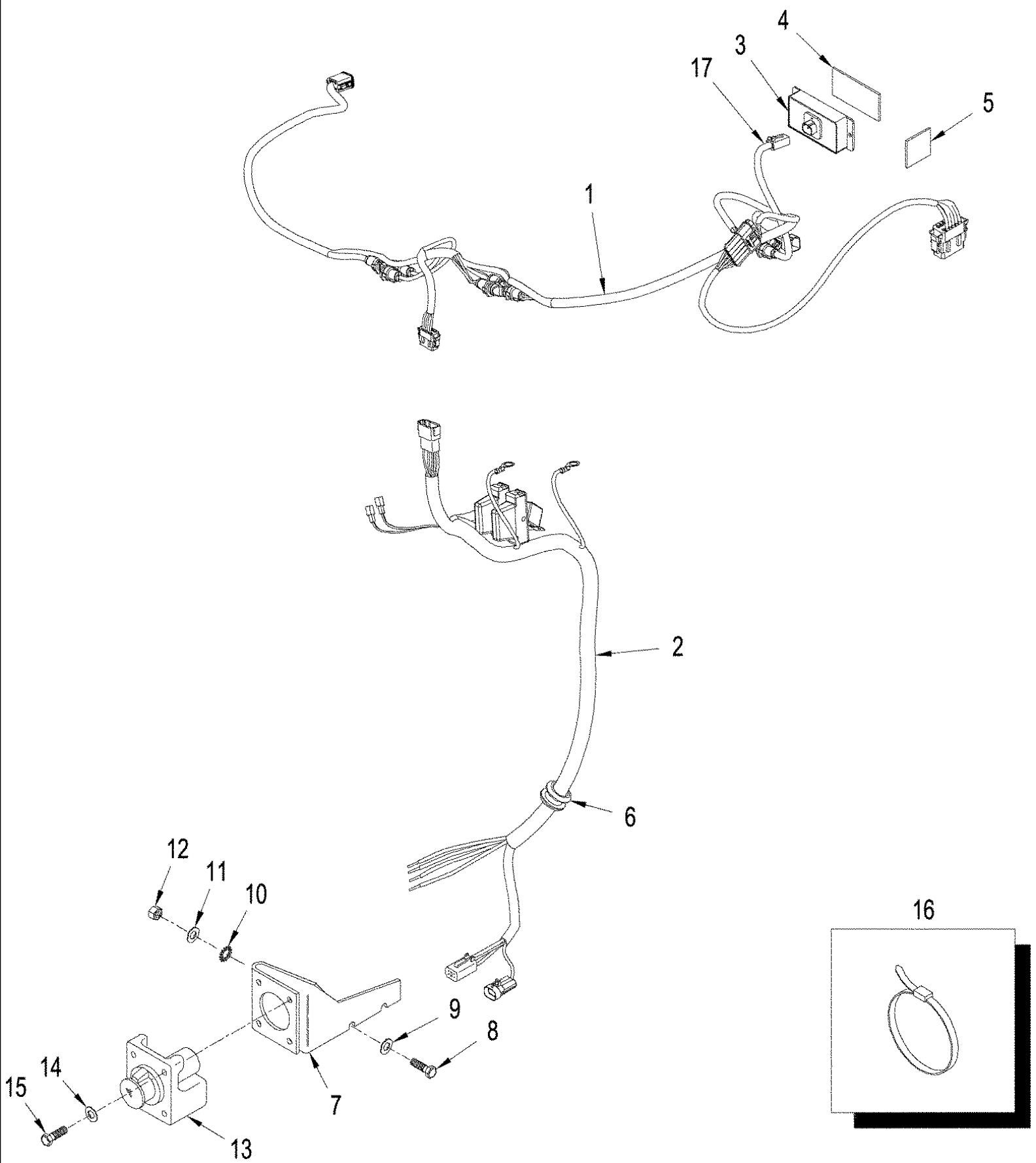
04-21 HARNESS - FRONT CONSOLE

сылка	Номер детали	Кол-во	Описание
1	87549628	1	HARNESS, Front Console, With Manual Shift Transmission
1	87599987	1	HARNESS, Front Console, With Power Shift Transmission
2	87416177	1	SWITCH, IGNITION, Inc. 3
3	86502201	1	SET OF 2 KEYS, Iqintion
	86993721	1	CONTROL, Transmission, With Self-Cancel, Inc. 4, Also See Figure: 05-03, With Power Shift Transmission
	414332A1	1	CONTROL, Transmission, With Self-Cancel, Inc. 4, Also See Figure: 05-02
4	375681A1	1	HARNESS, Transmission Control, With Self-Cancel, With Power Shift Transmission
4	416123A1	1	HARNESS, WIRE, Transmission Control, With Self-Cancel, With Manual Shift Transmission



04-22 HARNESS - FLEX CONTROL

сылка	Номер детали	Кол-во	Описание
1	405029A2	1	HARNESS, Flex Control Chassis
2	352506A1	1	CONNECTOR, ELEC, Flex Control
3	459329C1	1	NUT,
4	459330C1	1	WASHER, LOCK,
5	405387A2	1	PLATE, Mounting, Flex Control Implement Connector
6	86632602	1	WASHER, LOCK, Ext Tooth, M10,
7	140028	2	WASHER, M10,
8	86500689	2	NUT, M10, CI 10,
9	86625251	7	WASHER, M10 x 18 x 1.6,
10	86624978	2	BOLT, Hex, M10 x 35, 10.9, Full Thd,
11	328265A1	1	GROMMET,
12	435437A1	3	STRAP, CABLE, 3/16" x 7 1/4",
13	86598598	2	CLAMP, 3/4", Insul, 1/2" Bolt,
14	86509828	1	WASHER, LOCK, M5,
15	86509265	1	NUT, M5, CI 10,
16	86632597	1	BOLT, Hex, M5 x 12, 8.8, Full Thd,
17	87364530	1	HARNESS, Cab
18	86632690	1	GROMMET, 3/4" ID x 1 7/16" Groove Dia, Str Cut,
19	284638A2	1	CONNECTOR, ELEC, Active
20	406450A1	2	FASTENER, Dual Lock
21	406449A1	2	FASTENER, Dual Lock
22	169850C2	2	CLIP, CABLE, Harness
23	405687A1	1	CABLE, Receiver
25	86624019	1	GROMMET, 3/8" ID x 5/8" Groove Dia, Str Cut,
26	87414764	1	HARNESS, Flex Control Jumper
27	245041C1	1	CAP, Flex Control Connector
24	86637652	2	PIN, SPLIT (COTTER), Int, 9/64" x .054",

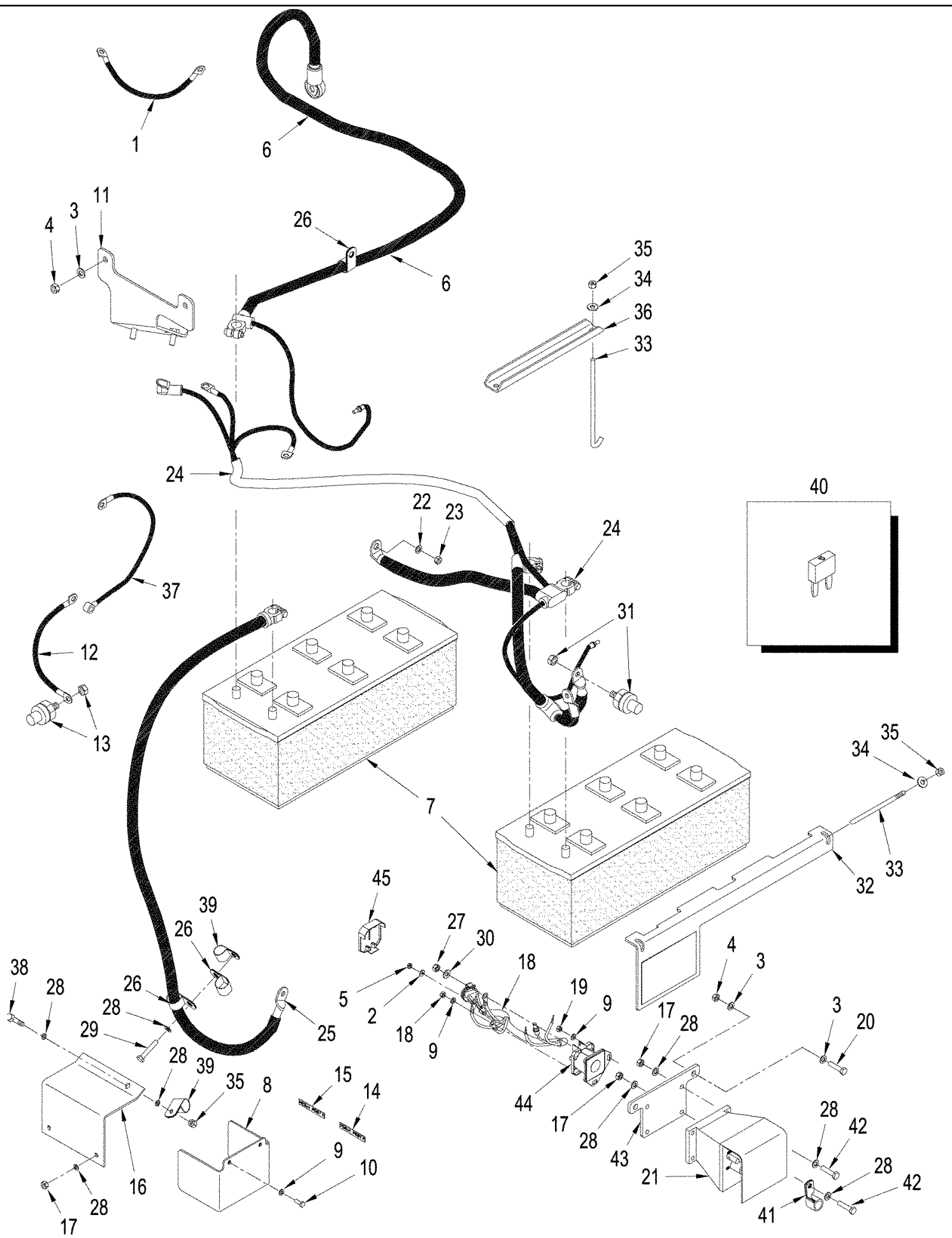


T9040 4WD TRACTOR, ASN (8/07-) - Electrical System

04-23 HARNESS - ISO IMPLEMENT

сылка	Номер детали	Кол-во	Описание
1	87601405	1	HARNESS, ISO Cab
2	87342623	1	HARNESS, ISO Chasis
3	284638A2	1	CONNECTOR, ELEC, Active Terminator
4	406450A1	2	FASTENER, Dual Lock
5	406449A1	1	FASTENER, Dual Lock
6	328265A1	1	GROMMET,
7	87359272	1	BRACKET, Connector
8	627-10035	2	BOLT, Hex, M10 x 35, 10.9, Full Thd,
9	895-18010	2	WASHER, M10 x 18 x 1.6,
10	893-11010	1	WASHER, LOCK, Ext Tooth, M10, Tooth
11	892-11010	2	WASHER, LOCK, M10, Spring
12	829-1410	2	NUT, M10, CI 10,
13	87418273	1	CONNECTOR, ELEC, Receptacle Box
14	895-11006	4	WASHER, M6,
15	779-14625	4	SCREW, SELF TAPPING,
16	435437A1	11	STRAP, CABLE, 3/16" x 7 1/4",
17	87605190	1	HARNESS, Intellisteer Adapter
17	87601398	1	HARNESS, ISO Adapter

04-24 BATTERIES



T9040 4WD TRACTOR, ASN (8/07-) - Electrical System

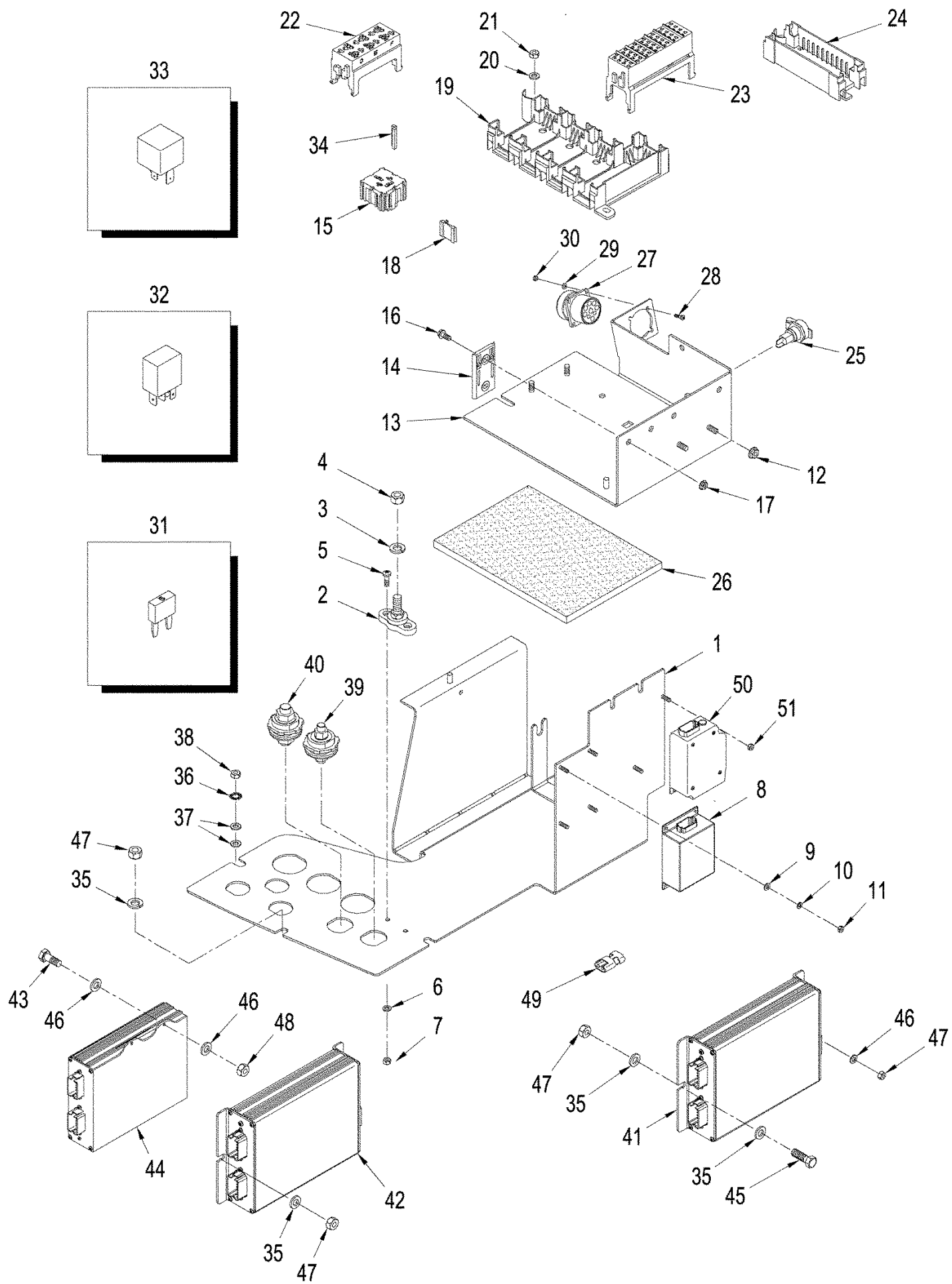
04-24 BATTERIES

сылка	Номер детали	Кол-во	Описание
1	87560908	1	CABLE, Circuit Breaker
2	88612	1	WASHER, #10,
3	86511323	6	WASHER, M10 x 20 x 2,
4	86500689	4	NUT, M10, CI 10,
5	87825	1	NUT, #10-32,
6	87545409	1	CABLE, Starter, 24V, Positive
7	F925DSW	2	BATTERY, WET, 1000 cca, for purchase in the United States
7	9673907WDS	2	BATTERY, WET, 1000 cca, for purchase in Canada
8	87437207	1	SHIELD, Relay
9	9824259	2	WASHER, M6 x 12 x 1.6,
10	86639037	2	BOLT, Hex, M6 x 16, 10.9,
11	87537777	1	BRACKET, Cab Harness
12	87426208	1	CABLE, Ground, Jump Start, 24V
13	A187583	1	STUD, Terminal, Jump Start
14	87427096	1	DECAL, Charging Post
15	87427317	1	DECAL, Negative (-) Post
16	87413792	1	SHIELD, Battery Terminals
17	43362	2	NUT, M8, CI 10,
18	87417510	1	HARNESS, Relay 12 / 24V
19	86500688	2	NUT, M6, CI 10,
20	9515003	2	BOLT, Hex, M10 x 30, 10.9, Full Thd,
21	80389120	1	SWITCH ASSY, Relay, Inc. 40
22	86624177	1	WASHER, M12 x 24 x 2.5,
23	337475	1	NUT, M12, CI 10,
24	87439132	1	CABLE, Cab Power, 12V
25	87418058	1	CABLE, Ground, 24V
26	86625038	3	CLAMP, 1", Insul, 1/2" Bolt,
27	9635082	2	NUT, 5/16"-18, G5,
28	86511315	11	WASHER, M8 x 16 x 1.6,
29	86639210	1	BOLT, Hex, M8 x 45, 10.9,
30	87362	2	WASHER, 5/16" SAE,
31	582785C91	1	CONNECTOR, TERMINAL, Jump Start
32	87425760	1	PLATE, Battery Hold Down, Side
33	87413678	2	ROD, Battery Hold Down
34	896-15008	4	WASHER, M8 x 21.5 x 2.5, HT,
35	412250	5	NUT, LOCK, M8 x 1.25, CI 8,
36	87413679	1	CHANNEL, Battery Hold Down, Center
37	87437248	1	CABLE, Relay, Chasis Ground
38	43228	1	BOLT, Hex, M6 x 80, 10.9,
39	86639011	2	CLAMP, J, 3/4", Insul, 3/8" Bolt,
40	420580	2	PLATE, Fuse, 80 Amp
41	R43926	1	CLAMP, 90 Twist
42	86639039	4	BOLT, M8 x 35, CL10.9
43	87417495	1	PLATE, Mounting
44	183038A1	1	SWITCH, SOLENOID, w/ Barrier

04-24 BATTERIES

сылка	Номер детали	Кол-во	Описание
45	178148A1	1	COVER, Solenoid

04-25 ELECTRONIC MODULE ASSY

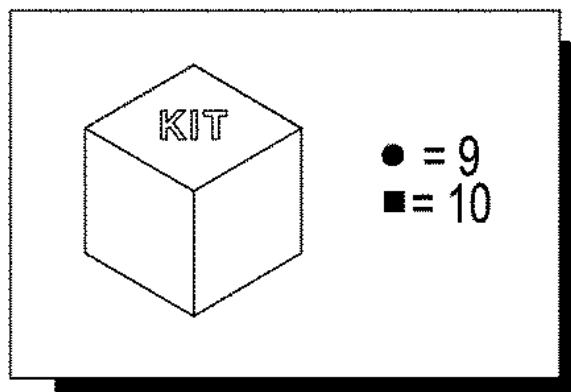
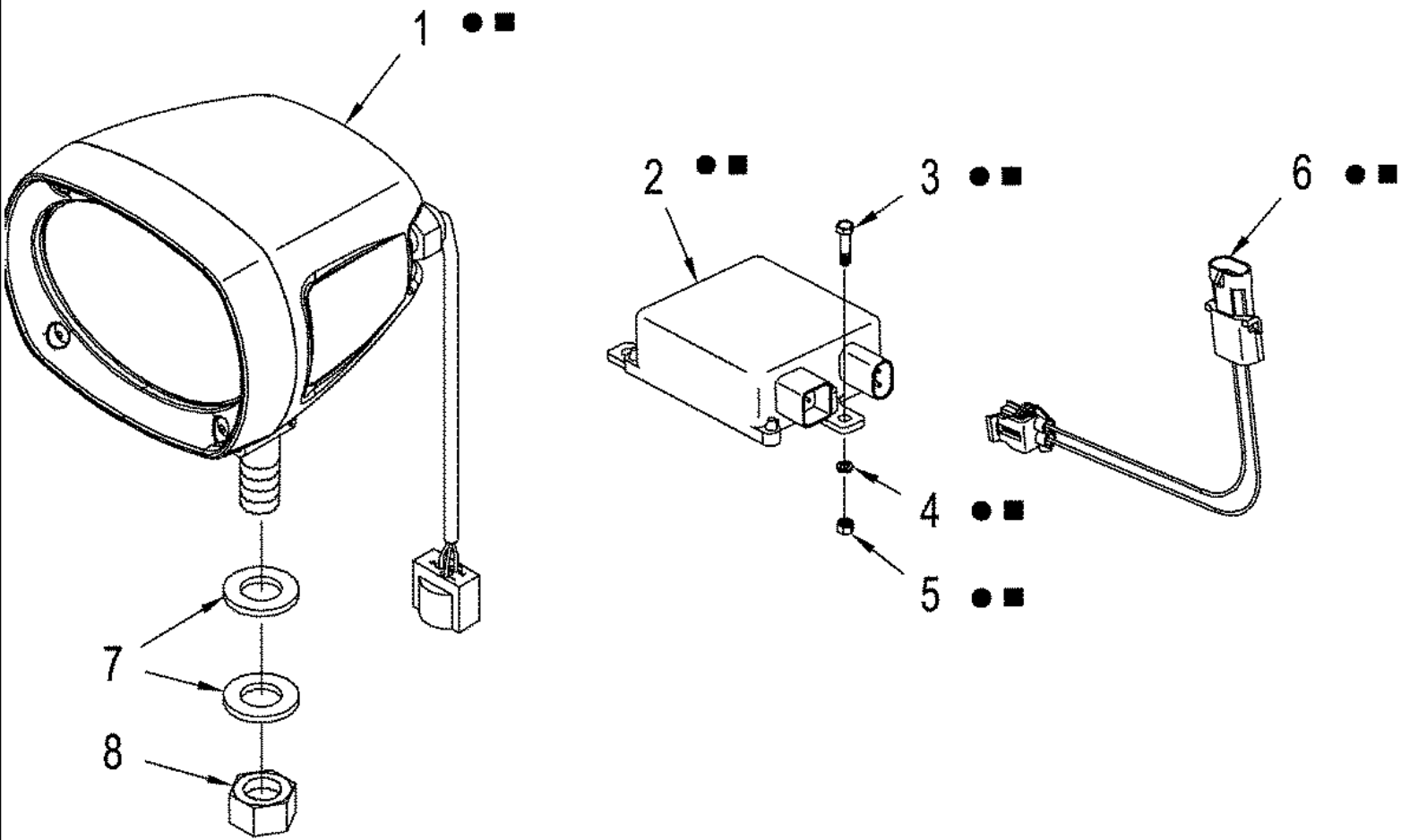


04-25 ELECTRONIC MODULE ASSY

сылка	Номер детали	Кол-во	Описание
1	87416914	1	BRACKET, Mounting, RH Armrest Module
2	435434A1	1	BLOCK, Junction
3	140028	1	WASHER, M10,
4	9628503	1	NUT, 3/8"-16, G5,
5	86511826	2	SCREW, Cross Pan Hd, M5 x 16,
6	86625261	2	WASHER, M5 x 10 x 1,
7	86509265	2	NUT, M5, CI 10,
8	397346A1	1	FLASHER UNIT, Interface Module
9	86624179	4	WASHER, M4,
10	86639307	4	WASHER, Lock, M4
11	86625075	4	NUT, LOCK, M4 x .7, CI 8,
12	86511444	3	NUT, M6, Flg Ser,
	87537317	1	MODULE, Electronics, Inc. 13 - 34, Also See Figure: 04-16, With Power Shift Transmission
	87537318	1	MODULE, Electronics, Inc. 13 - 34, Also See Figure: 04-16, With Manual Shift Transmission
13	NSS	1	NOT SERVICED SEPARATELY, Bracket, Relay Mounting
14	367147A1	3	BRACKET, Mounting, Terminal
15	367145A1	5	BLOCK, Terminal
16	86639263	3	SCREW, Hex Wash Hd, M5 x 12,
17	43416	3	NUT,
18	430116A1	AR	LOCK,
19	191135A1	1	BASE, Terminal Block Mounting
20	86624181	4	WASHER, M6,
21	86500688	3	NUT, M6, CI 10,
22	144417A1	3	BLOCK, CONNECTING,
23	144421A1	2	BLOCK, CONNECTING,
24	194319A1	1	TERMINAL,
25	300655A1	1	SOCKET, POWER,
26	349062A1	1	PAD, RUBBER,
27	310057A1	1	CONNECTOR, ELEC,
28	86639260	4	SCREW, M3 x 12; 4.8
29	86639310	4	WASHER, M3,
30	86508812	4	NUT, M3, CI 8,
31	121416A1	AR	FUSE, 30 amp
31	121414A1	AR	FUSE, 20 amp
31	121413A1	AR	FUSE, 15 amp
31	121415A1	AR	FUSE, 25 amp
31	121412A1	AR	FUSE, 10 amp
31	121411A1	AR	FUSE, 5 amp
31	368224A1	2	DIODE, Mini, 1 amp, Differential Lock
32	87414866	AR	RELAY, 20 amp
33	368459A1	AR	RELAY, 70 amp
34	367146A1	4	WEDGE,
35	86624184	4	WASHER, M8 x 16 x 1.6,
36	86632602	2	WASHER, LOCK, Ext Tooth, M10,
37	86624176	4	WASHER, M10 x 20 x 2,

04-25 ELECTRONIC MODULE ASSY

сылка	Номер детали	Кол-во	Описание
38	86500689	2	NUT, M10, CI 10,
39	A187523	1	BLOCK, CONNECTING, Junction, With Manual Shift Transmission
39	190158A1	1	BLOCK, , With Power Shift Transmission
40	311430A1	1	BLOCK,
41	87354994	1	CONTROL UNIT, Three Point Hitch, Download Software from Service Tool.
42	313776A4	1	CONTROL UNIT, Auxiliary, Download Software from Service Tool.
43	840-1616	2	SCREW, Cross Pan Hd, M6 x 16,
44	87587161	1	MODULE, Transmission, Download Software from Service Tool.
45	43232	1	SCREW,
46	86625261	5	WASHER, M5 x 10 x 1,
47	80043362	3	NUT,
48	832-10405	2	NUT, LOCK, M5 x .8, CI 8,
49	87537124	1	CONNECTOR, TERMINAL, Jumper, Can
50	86989612	1	MODULE, ISO ECU, If Used
51	832-10406	2	NUT, LOCK, M6 x 1, CI 8,

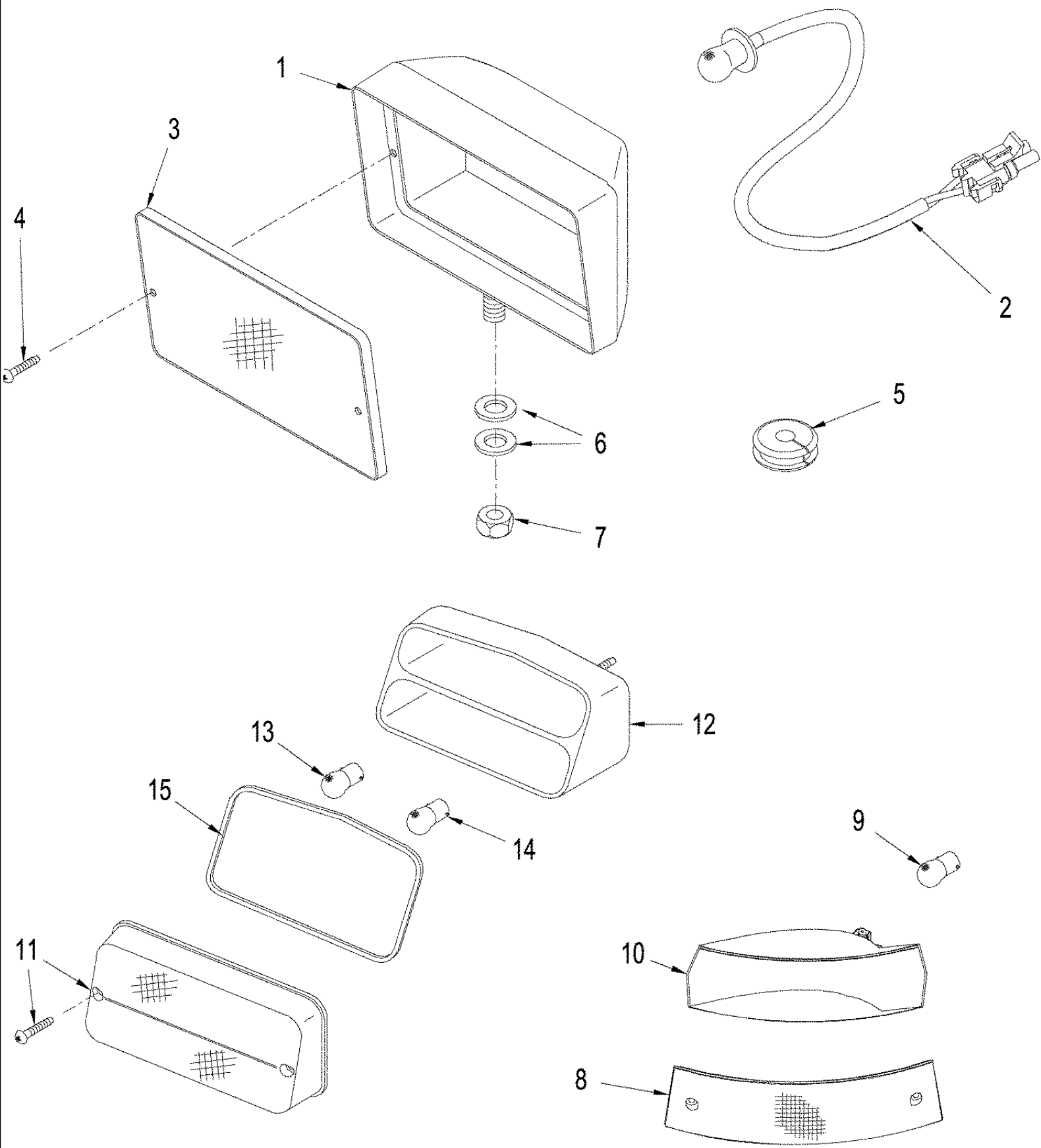


T9040 4WD TRACTOR, ASN (8/07-) - Electrical System

04-26 LAMPS - REAR FRAME, H.I.D.

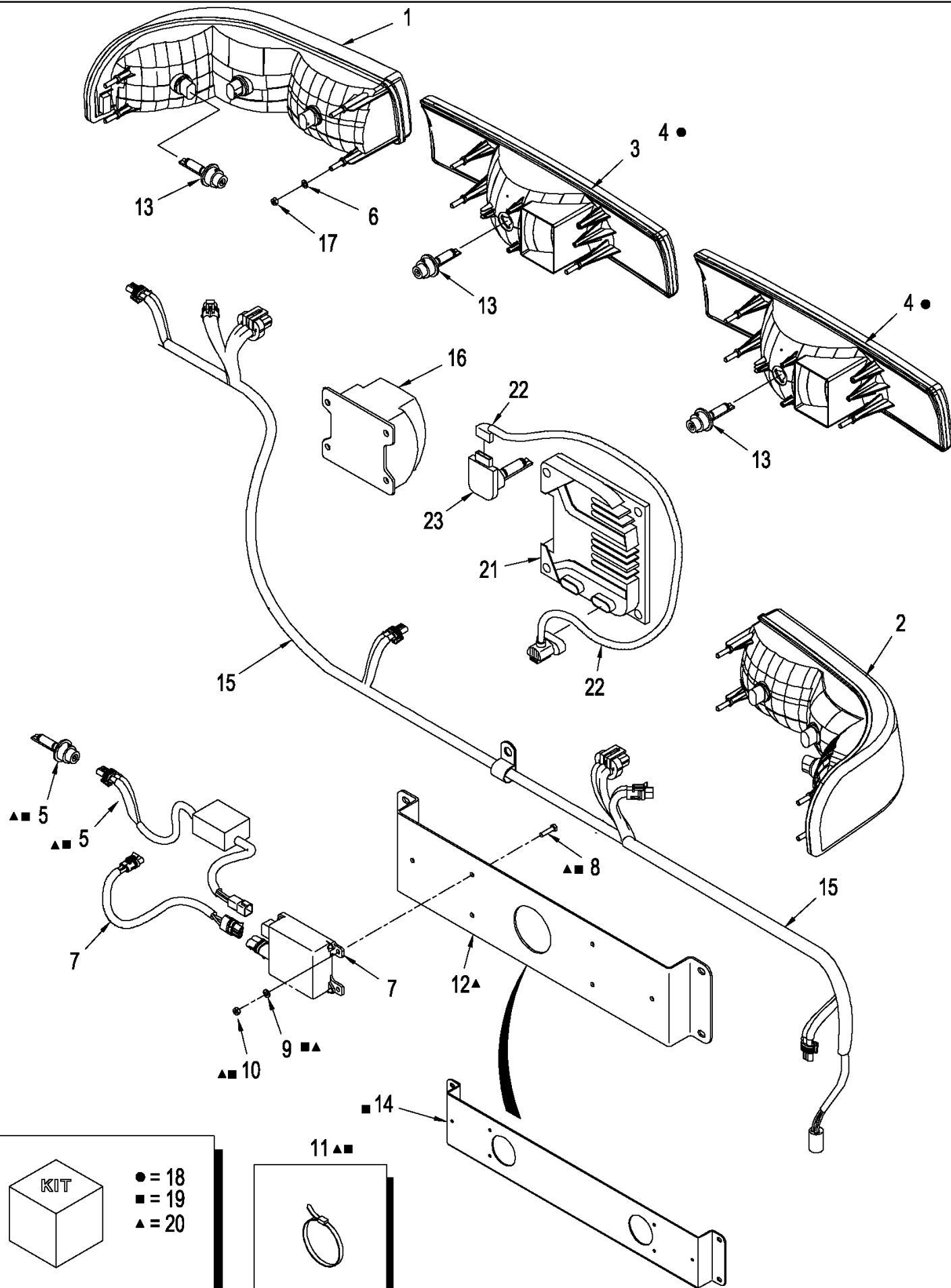
сылка	Номер детали	Кол-во	Описание
1	87419587	2	LAMP, Flood
1	87419591	2	LAMP, Trap
2	447742A1	AR	Ballast, Rear H.I.D.
3	120098	8	BOLT, Hex, M5 x 20, 8.8, Full Thd,
4	9824326	8	WASHER, M5,
5	86639241	8	NUT, LOCK, M5 x .8, CI 8,
6	87419583	AR	CABLE, Ballast to Rear Harness
7	86625256	8	WASHER, M12 x 28.5 x 4, HT,
8	86500689	4	NUT, M10, CI 10,
9	719618003	1	KIT, FIP, H.I.D., Rear Flood, Inc. 1 - 6
10	719702013	1	KIT, FIP, H.I.D., Rear Trap, Inc. 1 - 6

04-27 LAMPS - REAR FRAME AND FIELD



04-27 LAMPS - REAR FRAME AND FIELD

сылка	Номер детали	Кол-во	Описание
	92269C1	AR	LAMP, WORK, Inc. 1 - 4
1	1964806C1	1	BEZEL, Work Lamp
2	1312210C2	1	BULB, 12V, 55W
3	276498A1	1	LENS, Work Lamp
4	86637784	2	SCREW, SELF TAPPING, Cross Pan Hd, #6 x 3/4",
5	87030421	2-4	GROMMET, 3/8" ID x 1 1/4" Groove Dia, Str Cut,
6	86625256	4-8	WASHER, M12 x 28.5 x 4, HT,
7	86500689	2-4	NUT, M10, CI 10,
	320246A1	4	LAMP, Cab Roof, Warning / Hazard, Inc. 8 - 10
8	183748A1	1	LENS, Amber
9	529068	1	BULB, #1156, 12V,
10	NSS	1	NOT SERVICED SEPARATELY, Housing, Cab Roof Warning / Hazard Lamp
	82026300	1	LAMP, TAIL, Rear Frame, Right Hand, Inc. 11 - 15
	82026301	1	LAMP, TAIL, Rear Frame, Left Hand, Inc. 11 - 15
11	87357815	1	LENS, LH, Red /Amber
11	87357816	1	LENS, RH, Red / Amber
12	14148090	1	BULB, Housing
13	14148190	1	BULB, 12V-21W
14	14144690	1	BULB, 12V-21/5W, Double Filament
15	87357827	1	SEAL, Rear Lamp

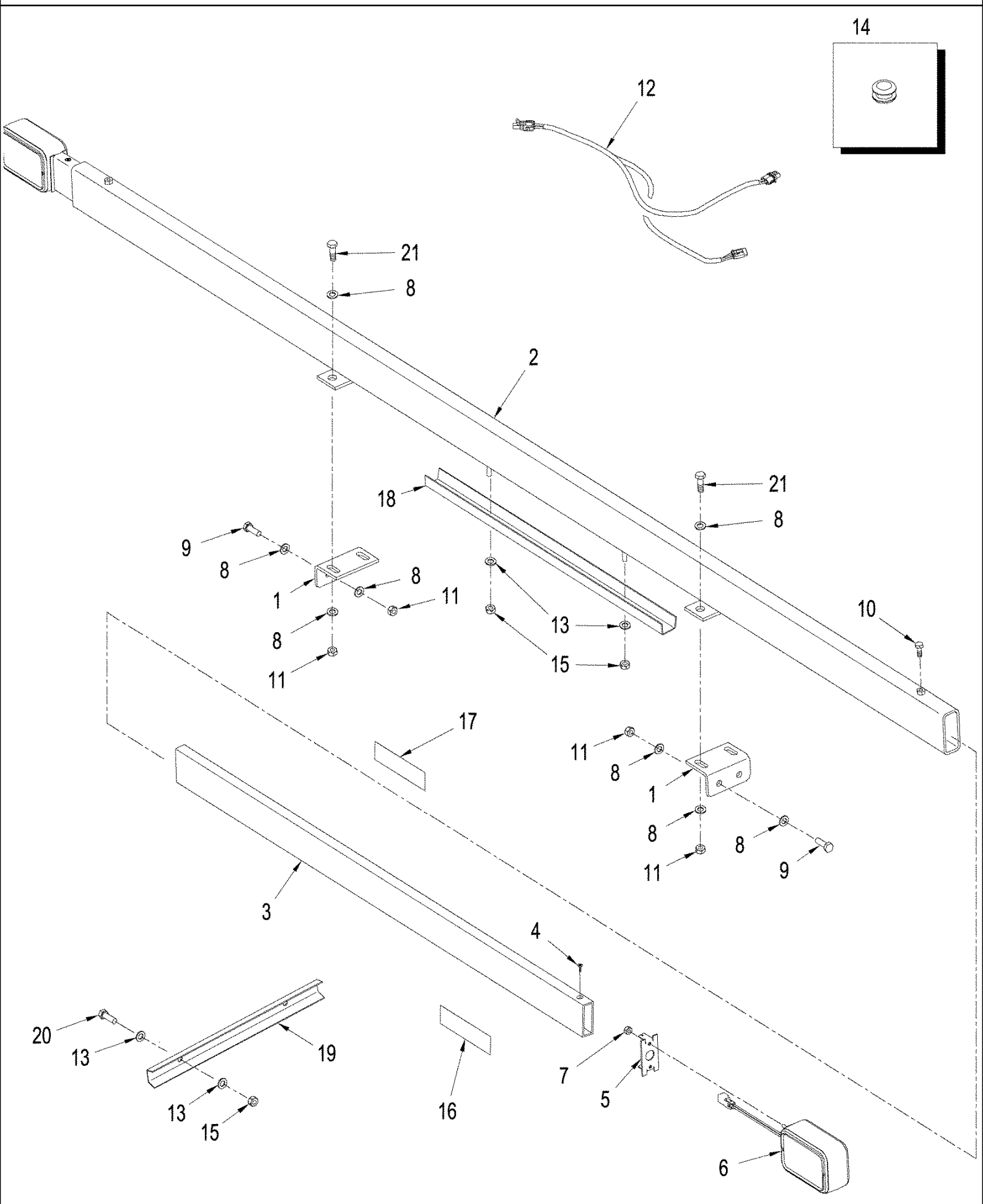


T9040 4WD TRACTOR, ASN (8/07-) - Electrical System

04-28 HEADLAMPS

сылка	Номер детали	Кол-во	Описание
1	395574A1	1	HEADLAMP, LH, Hi / Low, Road & Work Lamp, Front Grille, Inc. 13
2	395573A1	1	HEADLAMP, RH, Hi / Low, Road & Work Lamp, Front Grille, Inc. 13
3	395576A1	1	HEADLAMP, Center, Halogen, T9030 / 9040
3	395577A1	1	HEADLAMP, Center, High Intensity Discharge (H.I.D), T9030 / 9040
4	402631A1	2	HEADLAMP, Center, Halogen, T9050 / 9060
4	402632A1	2	LIGHT, Center, High Intensity Discharge (H.I.D), T9050 / 9060
5	87366792	2	BULB, 885-12V, Worklight / Headlamp
6	86517328	10	WASHER, LOCK, M6,
7	87366790	2	Ballast, Front Jumper, RH & LH Lamps
8	614-5020	AR	BOLT, Hex, M5 x 20, 8.8, Full Thd,
9	895-11005	AR	WASHER, M5 x 10 x 1,
10	832-10405	AR	NUT, LOCK, M5 x .8, CI 8,
11	435437A1	4	STRAP, CABLE, 3/16" x 7 1/4", Cable
12	87433036	1	BRACKET, Ballast, H.I.D., T9030 / 9040
13	323093A1	2	BULB, Halogen Worklamp, 885-12V
14	87448000	1	FIXING BRACKET, H.I.D Ballast, T9050 / 9060
15	87369663	1	HARNESS, Light Bar, T9030 / 9040
15	87369666	1	HARNESS, H.I.D. Light Bar, T9050 / 9060
16	87325207	1	BOX, Light, T9050 / 9060
17	86500688	10	NUT, M6, CI 10,
18	719511026	1	KIT, H.I.D. Front Corner, Inc. 4, T9050 / 9060
19	719511036	1	KIT, H.I.D. Front Corners, Inc. 5, 8 - 11, 14, T9050 / 9060
20	719619026	1	KIT, H.I.D. Front Corners, Inc. 5, 8 - 12, T9030 / 9040
21	87698186	AR	H.I.D.
22	87698187	AR	CABLE, H.I.D.
23	87698185	AR	BULB, H.I.D.

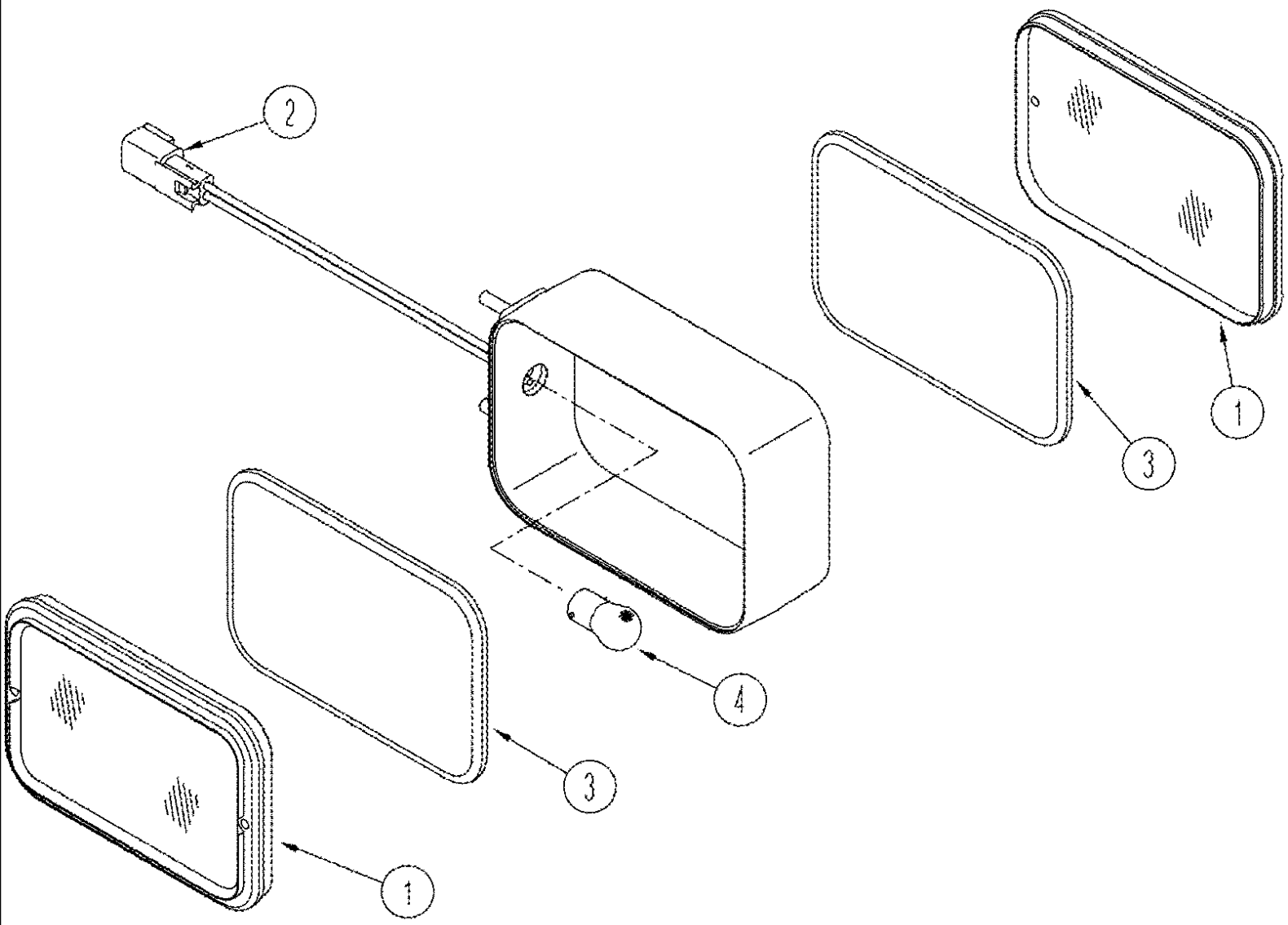
04-29 LAMPS - MARKER



04-29 LAMPS - MARKER

сылка	Номер детали	Кол-во	Описание
1	402164A2	2	BRACKET, Mounting, Marker Lamps
2	87348484	1	TUBE, Center, Marker Lamps
3	87348486	1	TUBE, Inner, Marker Lamps
4	86639265	2	SCREW, Hex Flat Hd, M5 x 12, 4.8,
5	362496A1	1	BRACKET, Support, Marker Lamp
6	367321A1	1	LAMP, Warning, See Figure: 04-28
7	86509265	2	NUT, M5, CI 10,
8	86624176	16	WASHER, M10 x 20 x 2,
9	627-10040	4	BOLT, Hex, M10 x 40, 10.9, Full Thd,
10	43233	2	BOLT, Hex, M8 x 20, 10.9,
11	86500689	8	NUT, M10, CI 10,
12	87520424	1	HARNESS, Marker Lights
13	86624184	4	WASHER, M8 x 16 x 1.6,
14	86637782	2	GROMMET, 3/8" ID x 1" Groove Dia, Str Cut,
15	86528579	2	NUT, LOCK, M8 x 1.25, CI 10,
16	297221A1	4	DECAL, Red and Orange
17	297223A1	4	DECAL, Yellow
18	402168A1	1	CHANNEL, Wire Guard
19	413188A1	1	CHANNEL, Wire Harness
20	43362	4	NUT, M8, CI 10,
21	9515003	4	BOLT, Hex, M10 x 30, 10.9, Full Thd,

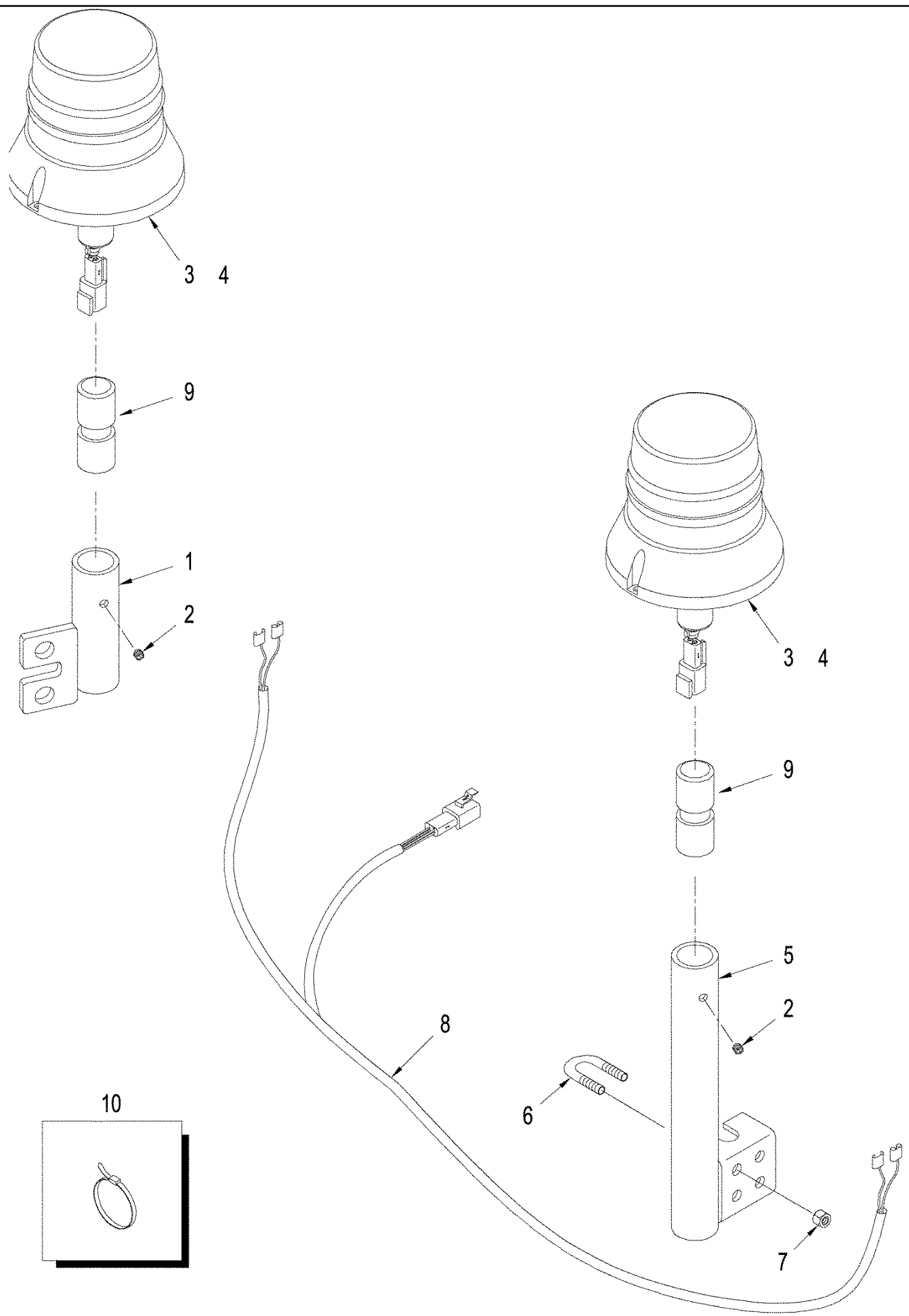
04-30 LAMPS - SIDE MARKER WARNING



04-30 LAMPS - SIDE MARKER WARNING

сылка	Номер детали	Кол-во	Описание
	367321A1	1	LAMP, Warning, Inc. 1 - 4
1	232212A1	2	LENS, Amber
2	222136A1	1	CONNECTOR, ELEC,
3	233561A1	2	O-RING,
4	529068	1	BULB, #1156, 12V,

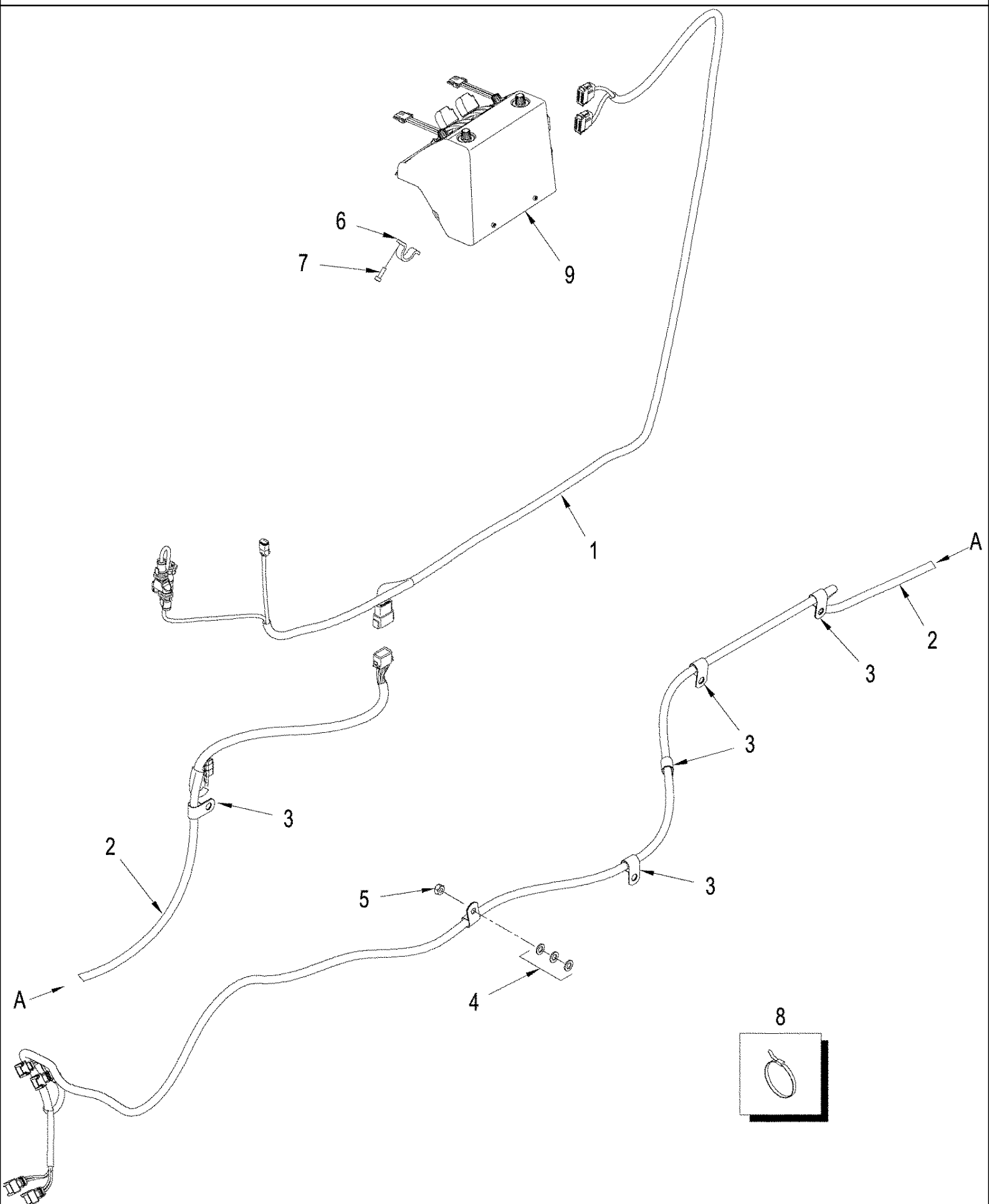
04-31 LAMP - STROBE



T9040 4WD TRACTOR, ASN (8/07-) - Electrical System

04-31 LAMP - STROBE

сылка	Номер детали	Кол-во	Описание
1	383983A1	1	BRACKET, Mounting, Beacon
2	86639305	1	SET SCREW, Hex Soc, M6 x 6, Cup Pt,
3	175048A1	1	BEACON, Strobe, Inc. 4
4	323095A1	1	BULB,
5	387938A2	1	SUPPORT ASSY., Mounting, Europe Option
6	253105A1	2	U-BOLT, M8, Europe Option
7	412250	4	NUT, LOCK, M8 x 1.25, Cl 8, , Europe Option
8	396484A1	1	HARNESS, Beacon Light, Europe Option
8	87325934	1	HARNESS, Beacon Light
9	244106A1	1	CONNECTOR, ELEC, Tube Support
10	L18331	1	STRAP, CABLE,

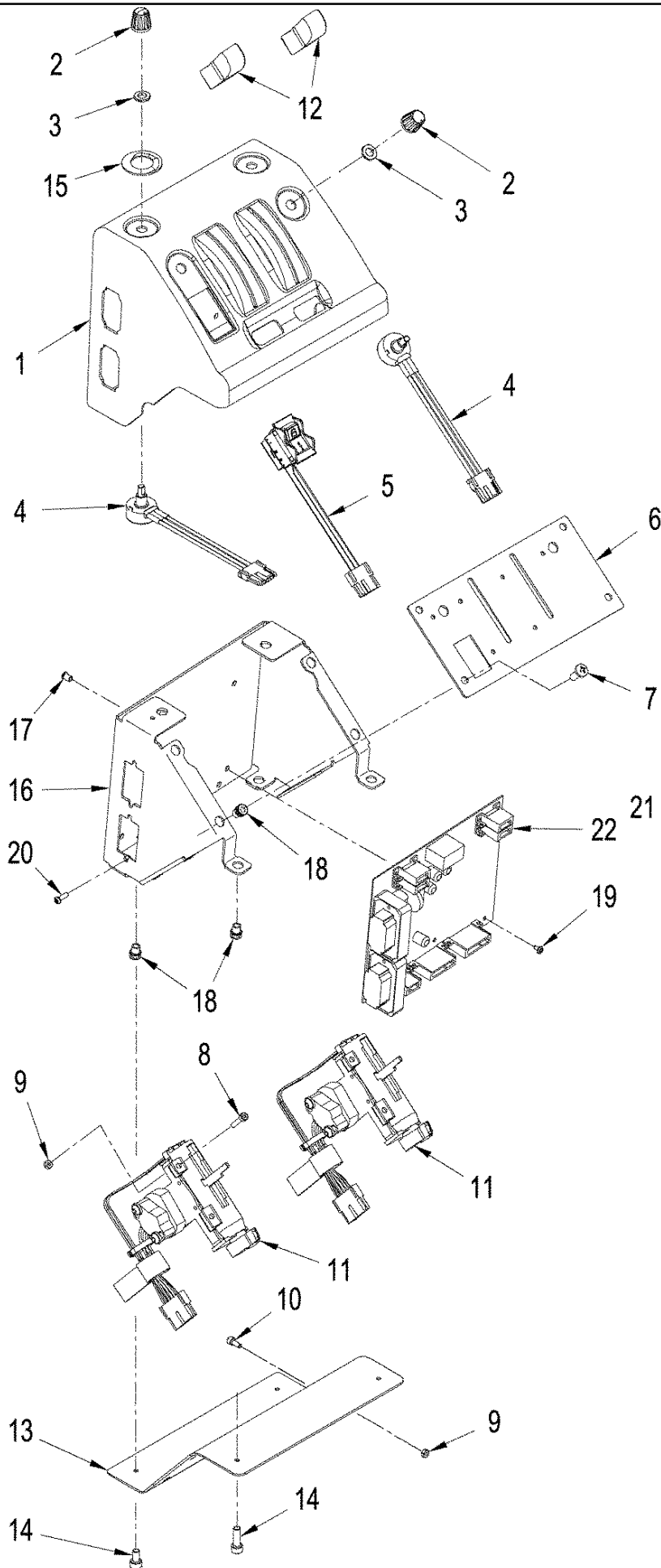


T9040 4WD TRACTOR, ASN (8/07-) - Electrical System

04-32 WIRING - MEGA FLOW HYDRAULIC CONTROLS

сылка	Номер детали	Кол-во	Описание
1	87538148	1	HARNESS, Cab, Mega Flow
2	430835A1	1	HARNESS, Chassis, Mega Flow
3	86598598	5	CLAMP, 3/4", Insul, 1/2" Bolt,
4	86624176	3	WASHER, M10 x 20 x 2,
5	86500689	1	NUT, M10, CI 10,
6	412027A2	2	CLAMP, Pipe
7	86642446	4	SCREW, Socket, M6 x 20, CL8.8
8	435437A1	12	STRAP, CABLE, 3/16" x 7 1/4",
9	87518269	1	CONTROL UNIT, Box Assy., Mega Flow, See Figure: 04-33
	719576003	1	KIT, Mega Flow, Inc. 6, See Figure: 04-33

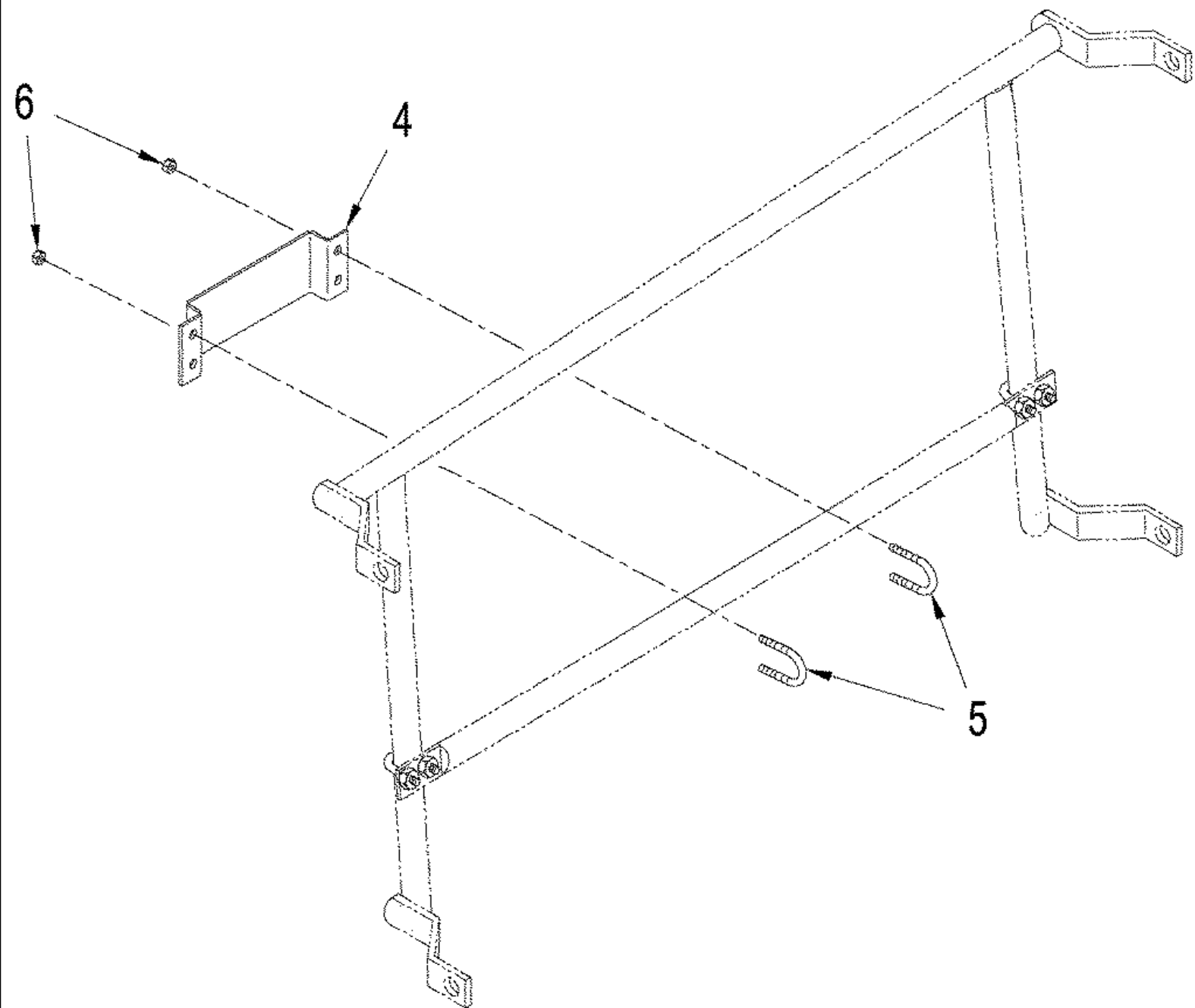
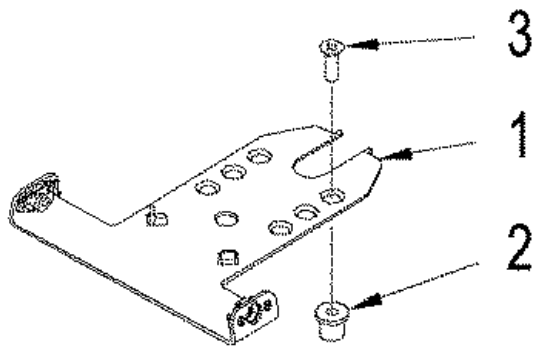
04-33 MEGA FLOW HYDRAULIC CONTROLS



04-33 MEGA FLOW HYDRAULIC CONTROLS

сылка	Номер детали	Кол-во	Описание
	87518269	1	CONTROL UNIT, Box Assy., Mega Flow, Inc. 1 - 9 & 11 - 22
1	418147A4	1	COVER ASSY, Mega Flow Controls
2	276797A1	4	KNOB, Flow Control
3	444868A1	8	NUT, 3/4"
4	256305A2	4	POTENTIOMETER, Draft Control
5	413148A1	1	SWITCH, Mega Flow
6	NSS	1	NOT SERVICED SEPARATELY, Plate, Mounting
7	444867A1	4	SCREW, Pan Hd., M6 x 16 CL4.8
8	86639294	4	SCREW, Hex Soc Hd, M4 x 20, 8.8,
9	100012	4	NUT, M4, CI 8,
10	86639292	2	SCREW, Socket, M4 x 10; 8.8
11	87395299	2	VALVE, CONTROL, Electrohydraulic
12	409724A2	2	KNOB, Remote Lever, Mega Flow
13	418148A2	1	COVER, Plate
14	86642445	4	SCREW, Socket, M6 x 12; 8.8
15	438237A1	1	DECAL, Flow Control
16	411981A3	1	BRACKET, Mounting, Mega Flow Controls
17	412295A1	5	SPACER,
18	404287A1	12	INSERT,
19	47112222	5	SCREW, M4 x 6
20	25-HT00012	5	SCREW,
21	NSS	1	NOT SERVICED SEPARATELY, Software
22	412070A1	1	BOARD, PRINTED CIRCUIT,
	719576003	1	KIT, Mega Flow, Inc. 1 - 9, 11 - 22, See Figure: 04-32

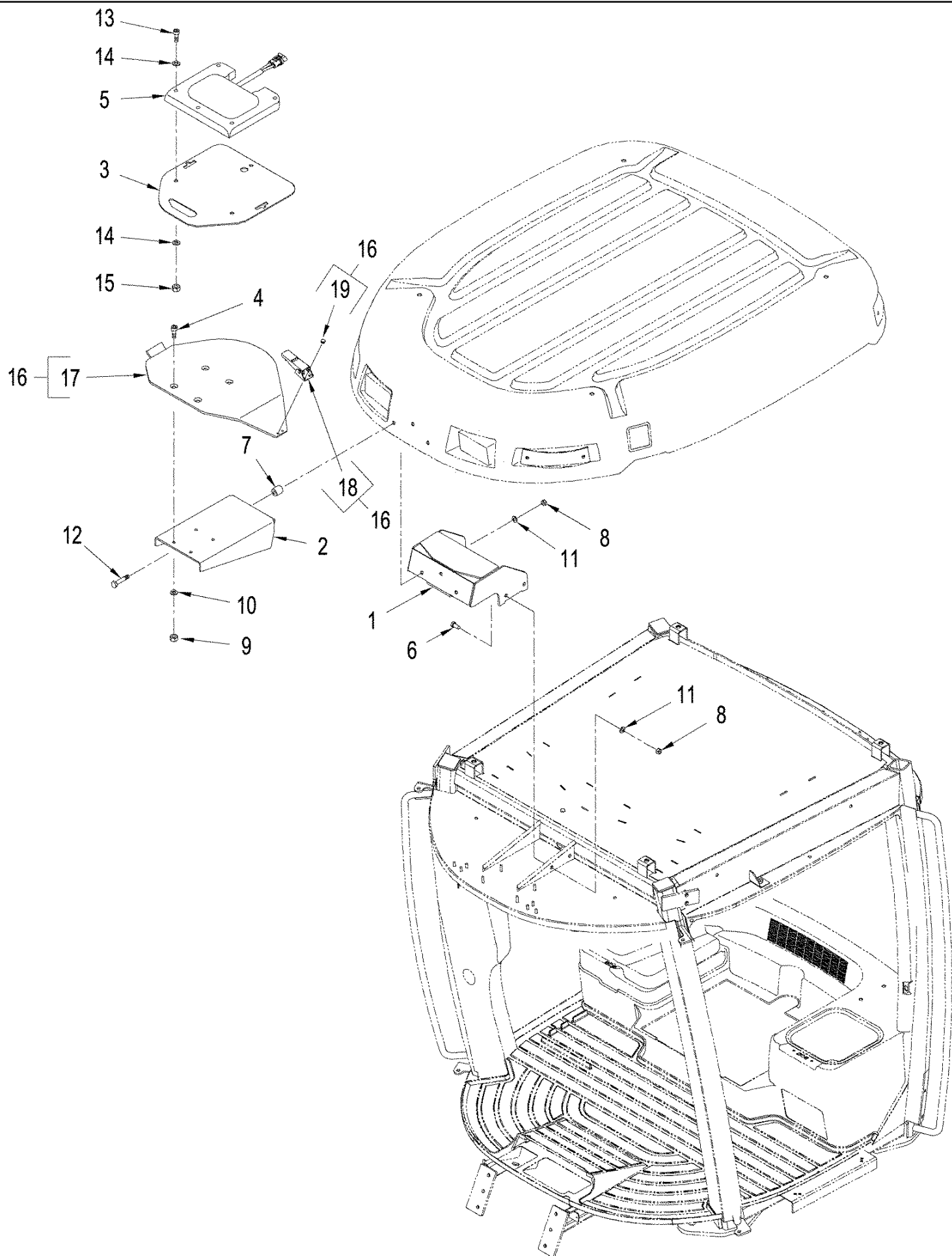
04-34 MOUNTING - FLEX CONTROL



04-34 MOUNTING - FLEX CONTROL

сылка	Номер детали	Кол-во	Описание
1	279293A2	1	SUPPORT, Bracket, Beacon
2	D135342	4	ISOLATOR,
3	14305221	4	SCREW, Hex Soc Hd, M6 x 16, 8.8,
4	87414515	1	MOUNTING PARTS, AFS Display
5	19-6258	2	U-BOLT,
6	425-104	4	NUT, 1/4"-20, G5,

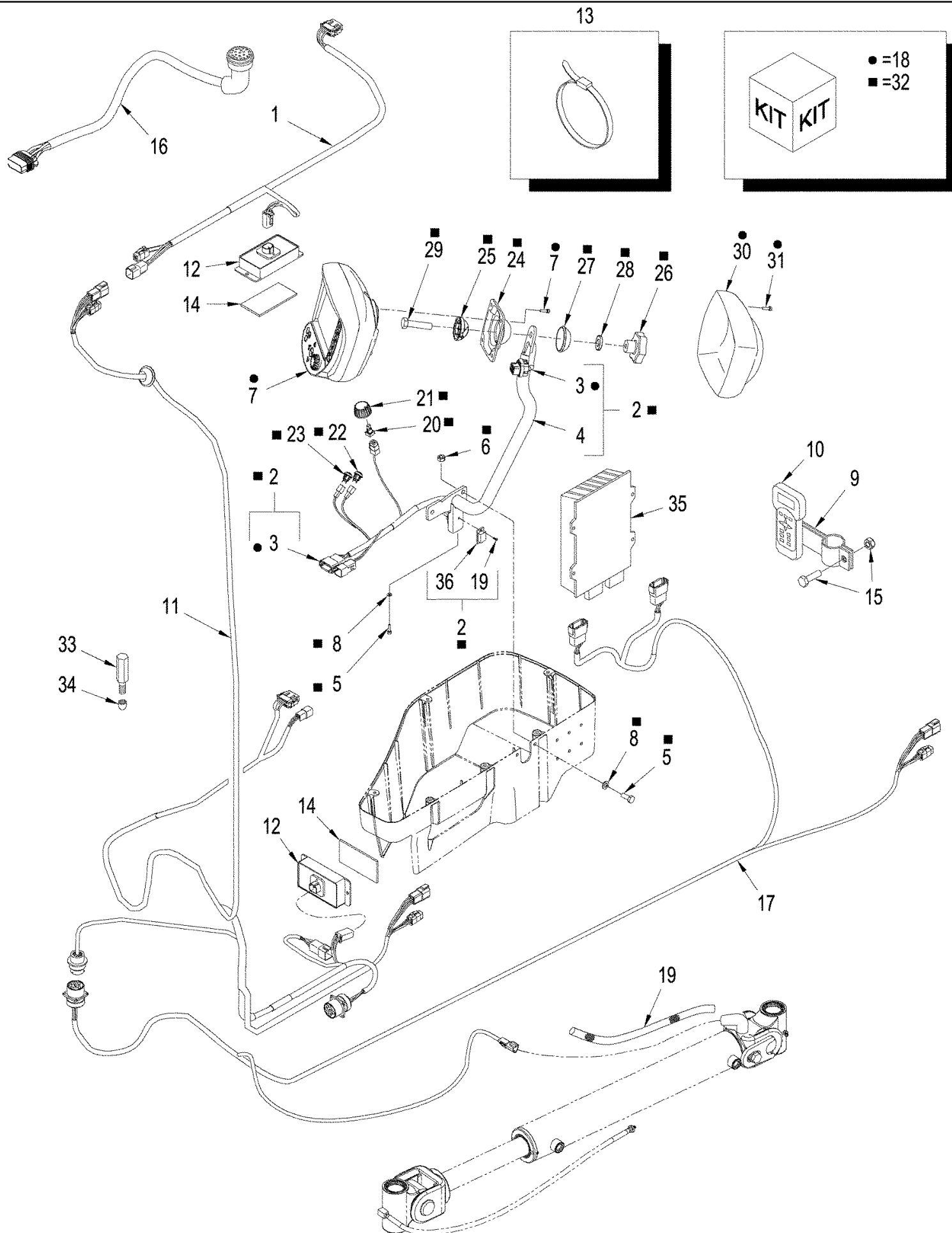
04-35 INTELLISTEER, GPS - MOUNTING



04-35 INTELLISTEER, GPS - MOUNTING

сылка	Номер детали	Кол-во	Описание
1	87304763	1	MOUNTING PARTS, GPS
2	87304768	1	BRACKET, GPS Mounting
3	87568855	1	PLATE, MOUNTING, Portable GPS Receiver
4	374897	4	SCREW, Hex Flat Hd, M8 x 25, 4.8,
5	87308224	1	MODULE, GPS Receiver
6	9861444	4	BOLT, Hex, M10 x 20, 10.9, Full Thd,
7	87361	3	WASHER, 1/4", SAE,
8	86500689	4	NUT, M10, CI 10,
9	43362	4	NUT, M8, CI 10,
10	86624184	4	WASHER, M8 x 16 x 1.6,
11	86624176	7	WASHER, M10 x 20 x 2,
12	827-10055	3	BOLT, Hex, M10 x 55, 10.9,
13	814-8060	3	BOLT, Hex, M8 x 60, 8.8,
14	895-11006	6	WASHER, M6,
15	825-5146	3	NUT, M6, Flg Ser,
16	87528080	1	PLATE, BASE, GPS Receiver Mounting Assy., Inc. 17 - 19
17	87528045	1	PLATE, BASE, GPS Mounting
18	87308870	1	LATCH, GPS Mounting
19	87308841	2	RIVET, Pop, 5/32" x .425",

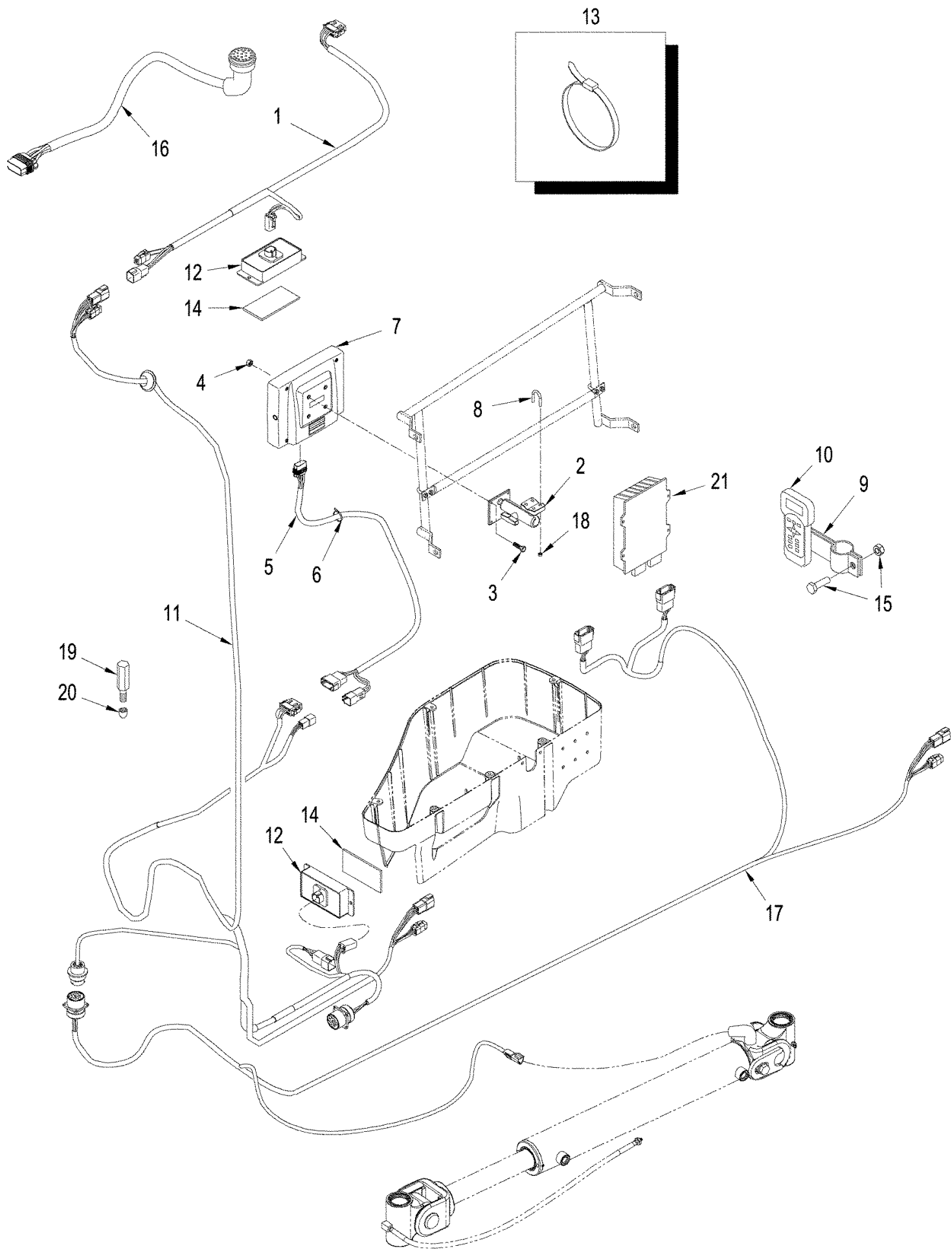
04-36 INTELLISTEER PLUS & RELATED PARTS



04-36 INTELLISTEER PLUS & RELEATED PARTS

сылка	Номер детали	Кол-во	Описание
1	87580504	1	HARNESS, Auto Guidance, Cab Roof
2	87610068	1	MOUNTING PARTS, Monitor Support, Inc. 3, 4, 36 & 37
3	NSS	1	NOT SERVICED SEPARATELY, Harness, Virtual Terminal
4	NSS	1	NOT SERVICED SEPARATELY, Tube, Mounting
5	43233	3	BOLT, Hex, M8 x 20, 10.9,
6	43362	3	NUT, M8, CI 10,
7	NSS	1	NOT SERVICED SEPARATELY, Monitor, Intelliview Plus, Wide Color Virtual Terminal, Order from INTELLISTEER Pricebook.
8	895-11008	3	WASHER, M8 x 16 x 1.6,
9	87428367	1	BRACKET, Mounting, RDL Radio
10	87428366	1	MODULE, Radio, RDL
11	87601405	1	HARNESS, Cab
12	284638A2	2	CONNECTOR, ELEC, Active Terminator
13	L11541	15	STRAP, CABLE,
14	406450A1	4	FASTENER, Velcro
15	87428369	1	SET, Bolt
16	87428396	1	CABLE ASSY., RTK Radio to Antenna
17	87582250	1	HARNESS, Chassis
18	719631026	1	KIT, Virtual Terminal Display, Inc. 7, 30, 31
19	440-1044	2	SCREW, Cross Oval Hd, #4-40 x 1/4",
20	87365742	1	SWITCH, Optical
21	87454709	1	KNOB, Encoder
22	87453959	1	SWITCH, Escape
23	87453957	1	SWITCH, Home
24	87325557	1	PLATE, MOUNTING, Ball Joint
25	82038414	1	PROTECTION CAP, Ball
26	87353504	1	KNOB, Monitor Mounting
27	82039389	1	WASHER, CUP, Ball Joint
28	896-15012	1	WASHER, M12 x 28.5 x 4, HT,
29	814-12050	1	BOLT, Hex, M12 x 50, 8.8,
30	87325765	1	COVER, Ball Joint
31	87536486	6	SCREW, M4 x 16, CL12.9
32	87555071	1	DIA KIT, TRACTOR, Mounting, Inc. 2, 5 - 8, 20 - 29 & 31
33	87423195	4	SPACER,
34	440570A1	4	STUD,
35	87346979	1	CONTROL, Module, NAV II
36	87588663	1	COVER, CAP, USB

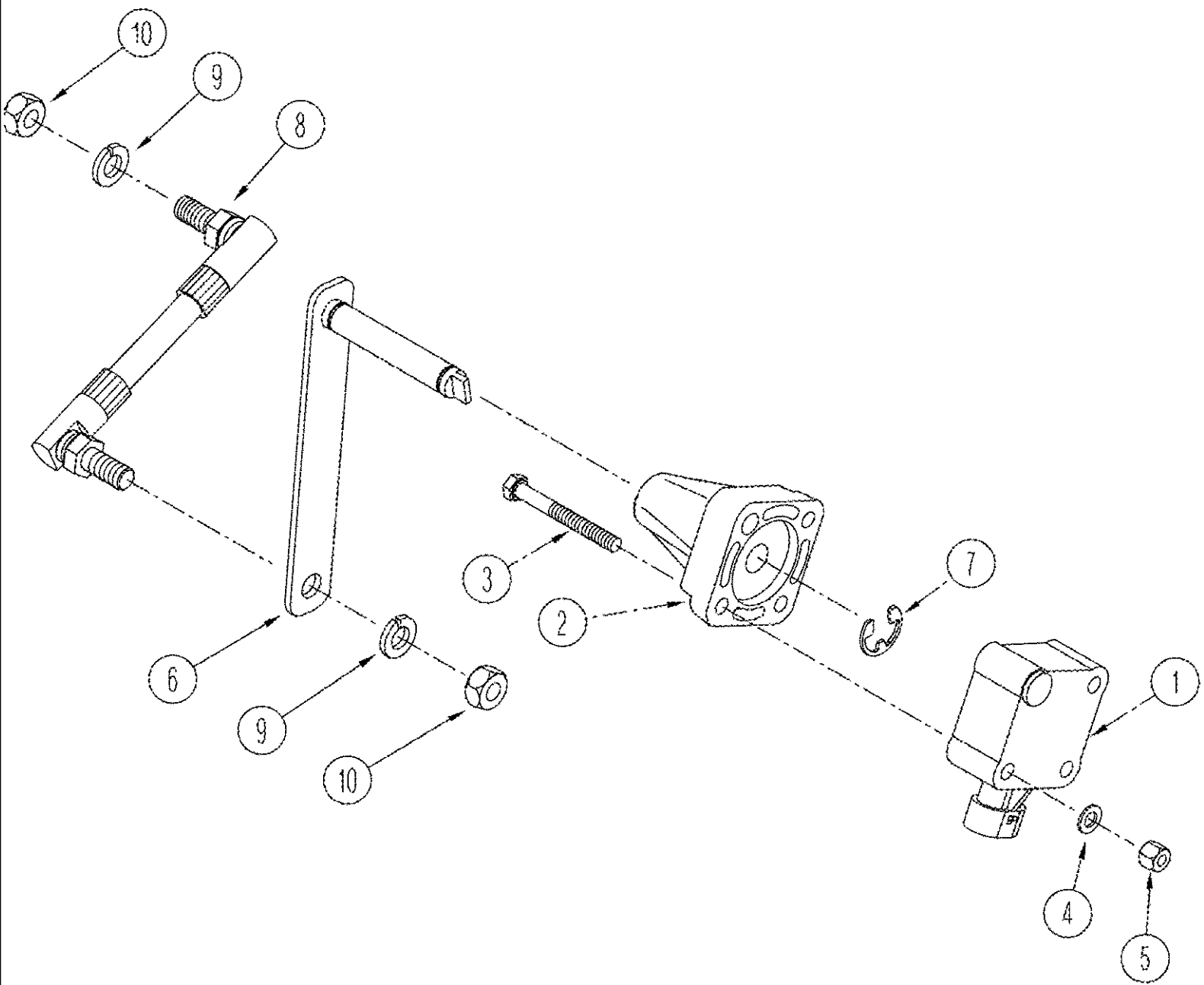
04-37 INTELLISTEER PLUS II MOUNTING & RELATED PARTS



04-37 INTELLISTEER PLUS II MOUNTING & RELEATED PARTS

сылка	Номер детали	Кол-во	Описание
1	87580504	1	HARNESS, Auto Guidance, Cab Roof
2	87386396	1	ARM, SUPPORTING, Intellisteer Plus II, Touch Screen Color Display, Inc. 3, 4, 36 & 37
3	614-6016	4	BOLT, Hex, M6 x 16, 8.8,
4	829-1406	4	NUT, M6, CI 10,
5	87566059	1	HARNESS, Intellisteer Plus II, Touch Screen Color Display
6	L11541	1	STRAP, CABLE, Tie
7	NSS	1	NOT SERVICED SEPARATELY, Monitor, Intellisteer Plus II, Touch Screen Color Display, Order from INTELLISTEER Pricebook.
8	19-6258	2	U-BOLT,
9	87428367	1	BRACKET, Mounting
10	87428366	1	MODULE, Radio, RDL
11	87601405	1	HARNESS, Cab
12	284638A2	2	CONNECTOR, ELEC, Active Terminator
13	L11541	15	STRAP, CABLE,
14	406450A1	4	FASTENER, Velcro
15	87428369	1	SET, Bolt
16	87428396	1	CABLE ASSY., RTK Radio to Antenna
17	87582250	1	HARNESS, Chassis
18	425-104	4	NUT, 1/4"-20, G5,
19	87423195	4	SPACER,
20	440570A1	4	STUD,
21	87346979	1	CONTROL, Module, NAV II

04-38 SENSOR - HITCH POSITION

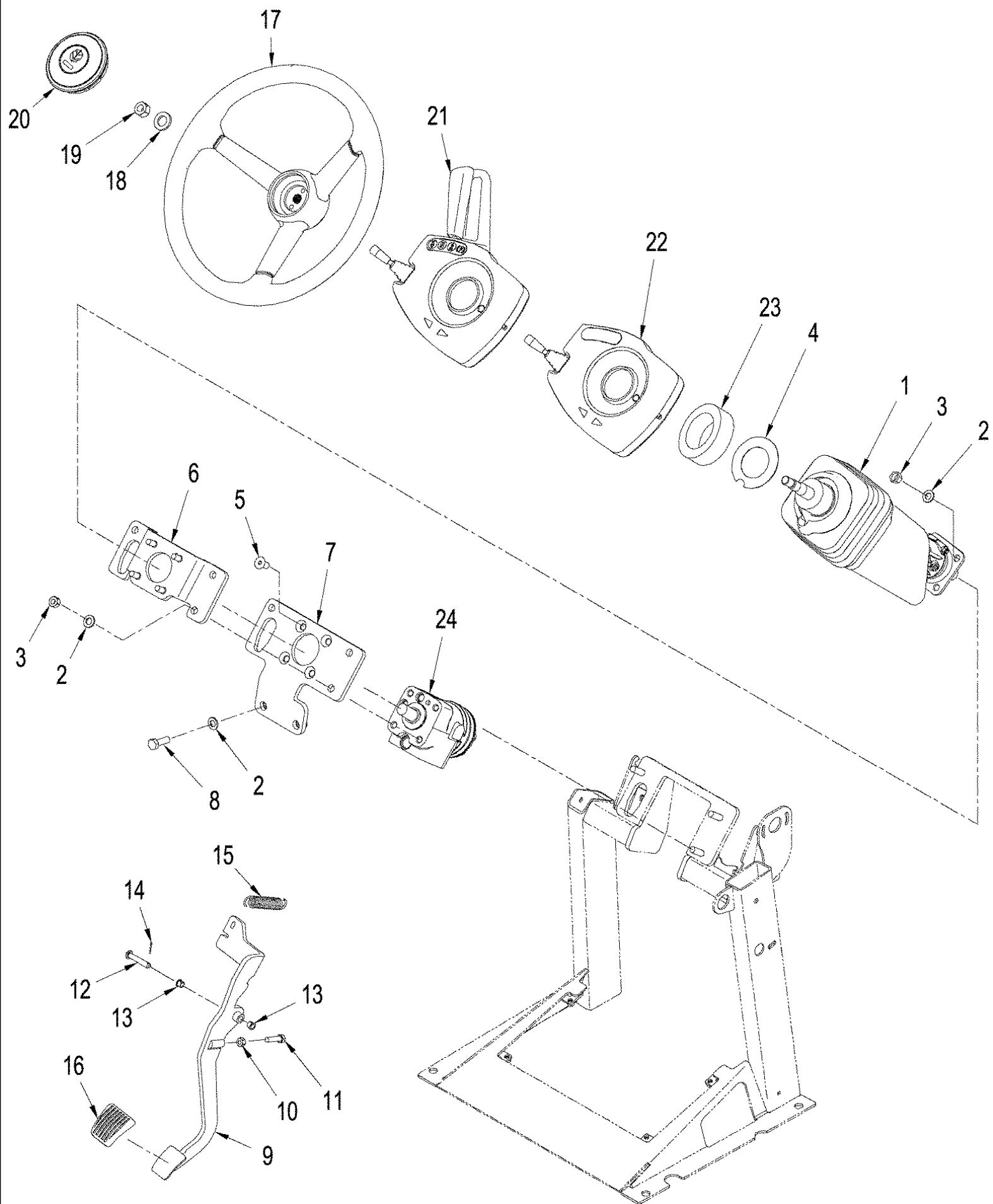


T9040 4WD TRACTOR, ASN (8/07-) - Electrical System

04-38 SENSOR - HITCH POSITION

сылка	Номер детали	Кол-во	Описание
1	283659A1	1	SENSOR, Hitch Position
2	305020A2	1	BUSHING,
3	86639027	3	BOLT, Hex, M5 x 45, 8.8, Full Thd,
4	86625261	3	WASHER, M5 x 10 x 1,
5	86639241	3	NUT, LOCK, M5 x .8, CI 8,
6	353926A1	1	ARM, Sensor
7	86639141	2	CIRCLIP, M10, Retaining
8	358978A1	1	ROD, Tie
9	80681	2	WASHER, LOCK, 5/16",
10	43362	2	NUT, M8, CI 10,

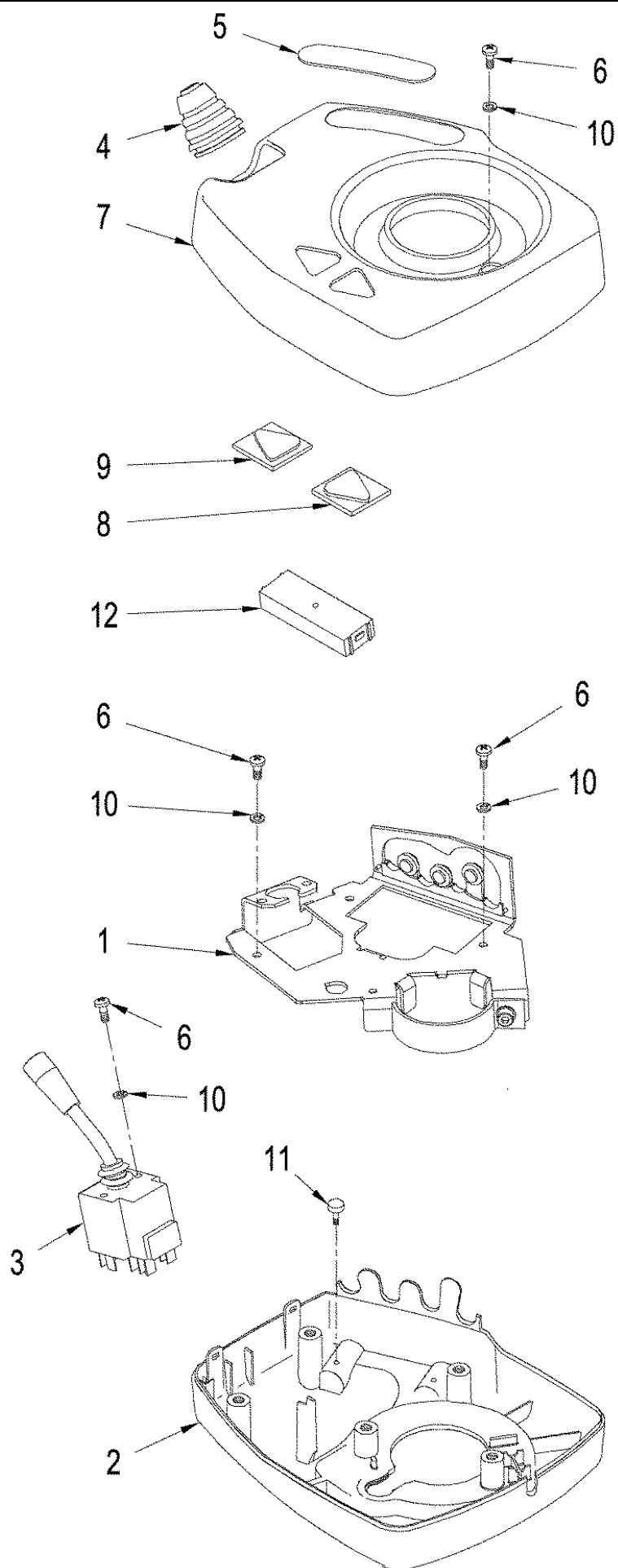
05-01 STEERING WHEEL AND COLUMN



05-01 STEERING WHEEL AND COLUMN

сылка	Номер детали	Кол-во	Описание
1	87387459	1	STEERING COLUMN, See Figure: 05-04
2	895-11010	9	WASHER, M10 x 20 x 2,
3	829-1410	7	NUT, M10, CI 10,
4	1977448C2	1	WASHER, Support
5	220056A1	4	SCREW, Hex Soc Flat Hd, M10 x 20, 8.8,
6	87448525	1	BRACKET, Mounting, Steering Column
7	87309685	1	BRACKET, Mounting, Column / Pump
8	614-10030	2	BOLT, Hex, M10 x 30, 8.8,
9	87448446	1	PEDAL, with Steering Adjustment
10	86639231	1	NUT, M8, CI 10,
11	86637961	1	BOLT, Hex, M8 x 30, 8.8, Full Thd,
12	86639111	1	PIN, CLEVIS, M8 x 45,
13	282892A1	2	BUSHING, Nylon
14	86639115	1	PIN, SPLIT (COTTER), M2 x 12,
15	311812A1	1	SPRING, Extension
16	323657A1	1	PAD, Foot Release Pedal
17	301200A1	1	WHEEL (STEERING), , Deluxe Cab
17	359033A1	1	WHEEL (STEERING), , Luxury Cab
18	86625266	1	WASHER, M17.5 x 30 x 4, HT,
19	86639148	1	NUT, M14 x 1.5, CI 8,
20	399142A1	1	CAP,
21	86993721	1	CONTROL, Transmission, with Self Cancel, See Figure: 05-03, Power Shift Transmission
22	414332A1	1	CONTROL, Transmission, with Self Cancel, See Figure: 05-02, Manual Shift Transmission
23	253679A1	1	RING, Magnetic
24	87426127	1	STEERING HYDRAULIC, Control Valve, See Figure: 05-12

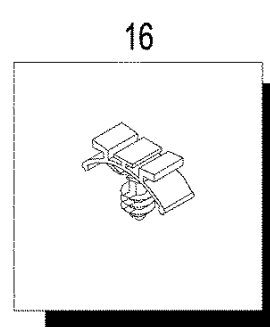
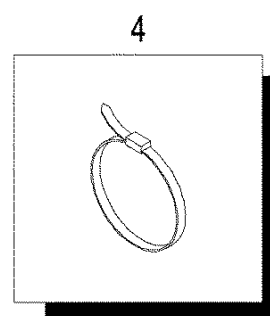
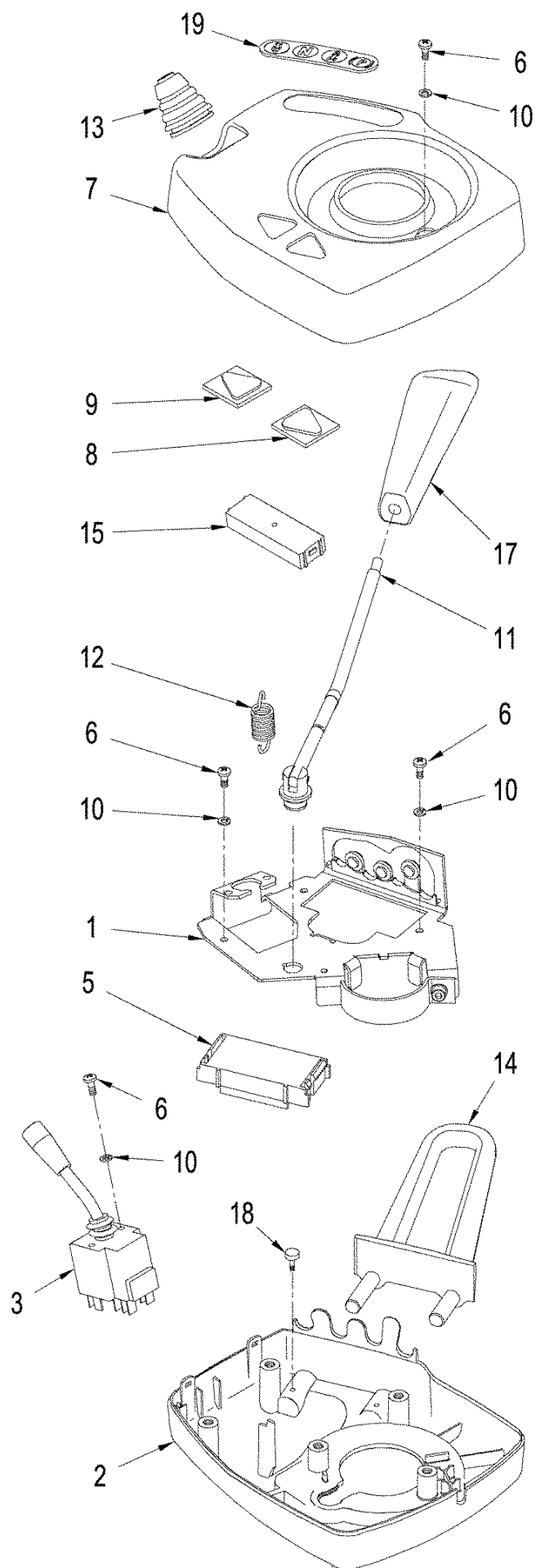
05-02 TRANSMISSION CONTROL ASSY - MANUAL SHIFT TRANSMISSION



05-02 TRANSMISSION CONTROL ASSY - MANUAL SHIFT TRANSMISSION

сылка	Номер детали	Кол-во	Описание
	414332A1	1	CONTROL, Transmission, Inc. 1 - 3, 5 - 10, 12 & 13, With Self Cancel
1	325362A1	1	CHASSIS, Transmission Control
2	NSS	1	NOT SERVICED SEPARATELY, Housing, Lower
3	284777A1	1	SWITCH, Turn Signal, With Self Cancel
4	325068A1	1	BELLOWS,
5	414330A1	1	DECAL, Transmission Control Symbols
6	86585706	7	SCREW, Cross Pan Hd, M4 x 10,
7	NSS	1	NOT SERVICED SEPARATELY, Housing, Upper
8	303466A1	1	SYMBOLS, Right-Hand Turn
9	303467A1	1	SYMBOLS, Left-Hand Turn
10	86639307	7	WASHER, Lock, M4
11	905974R1	2	SCREW, SELF TAPPING, Pan Hd, M2.9 x 13,
12	303465A2	1	LAMP, Flasher, With Self Cancel

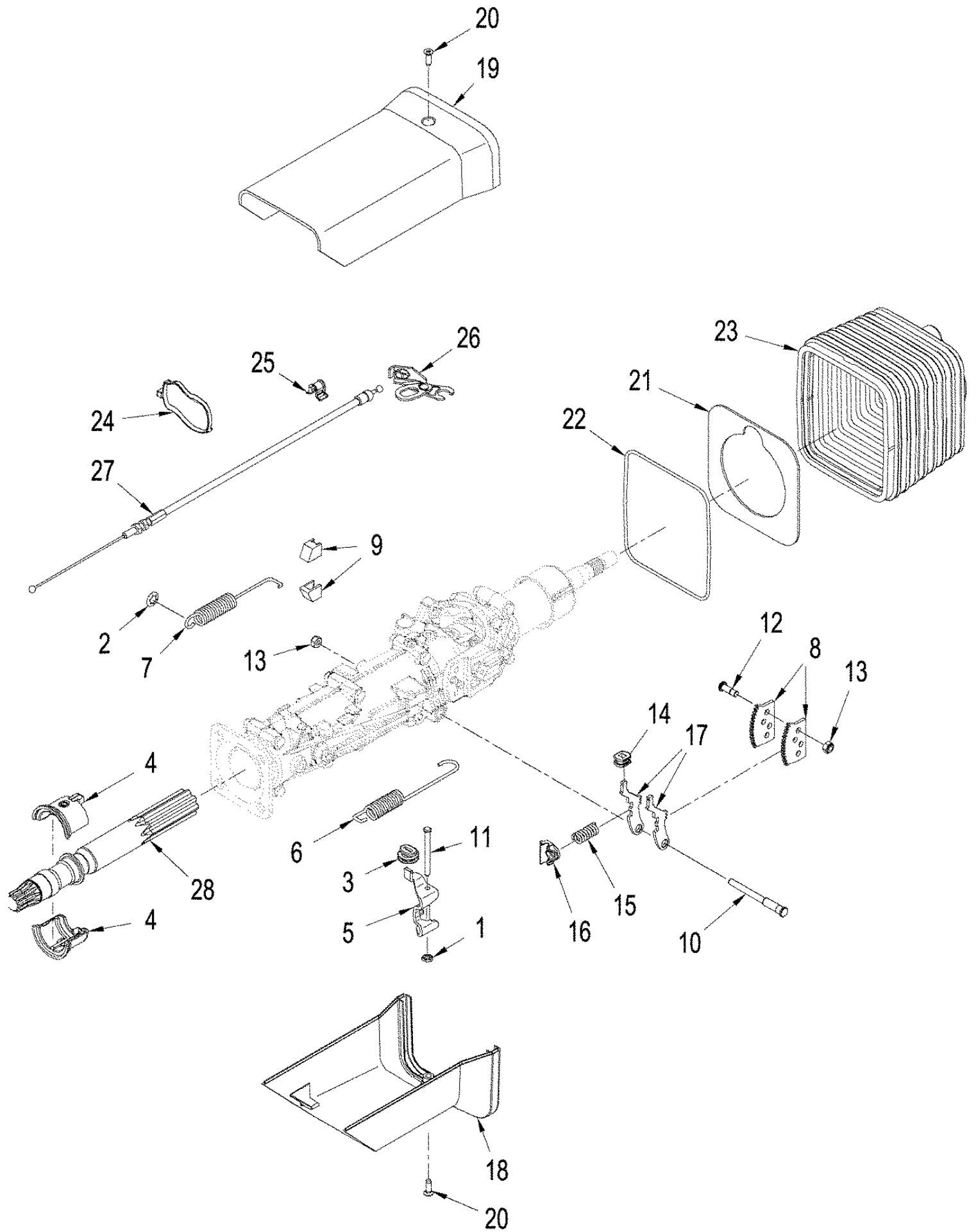
05-03 TRANSMISSION CONTROL ASSY - POWER SHIFT TRANSMISSION



05-03 TRANSMISSION CONTROL ASSY - POWER SHIFT TRANSMISSION

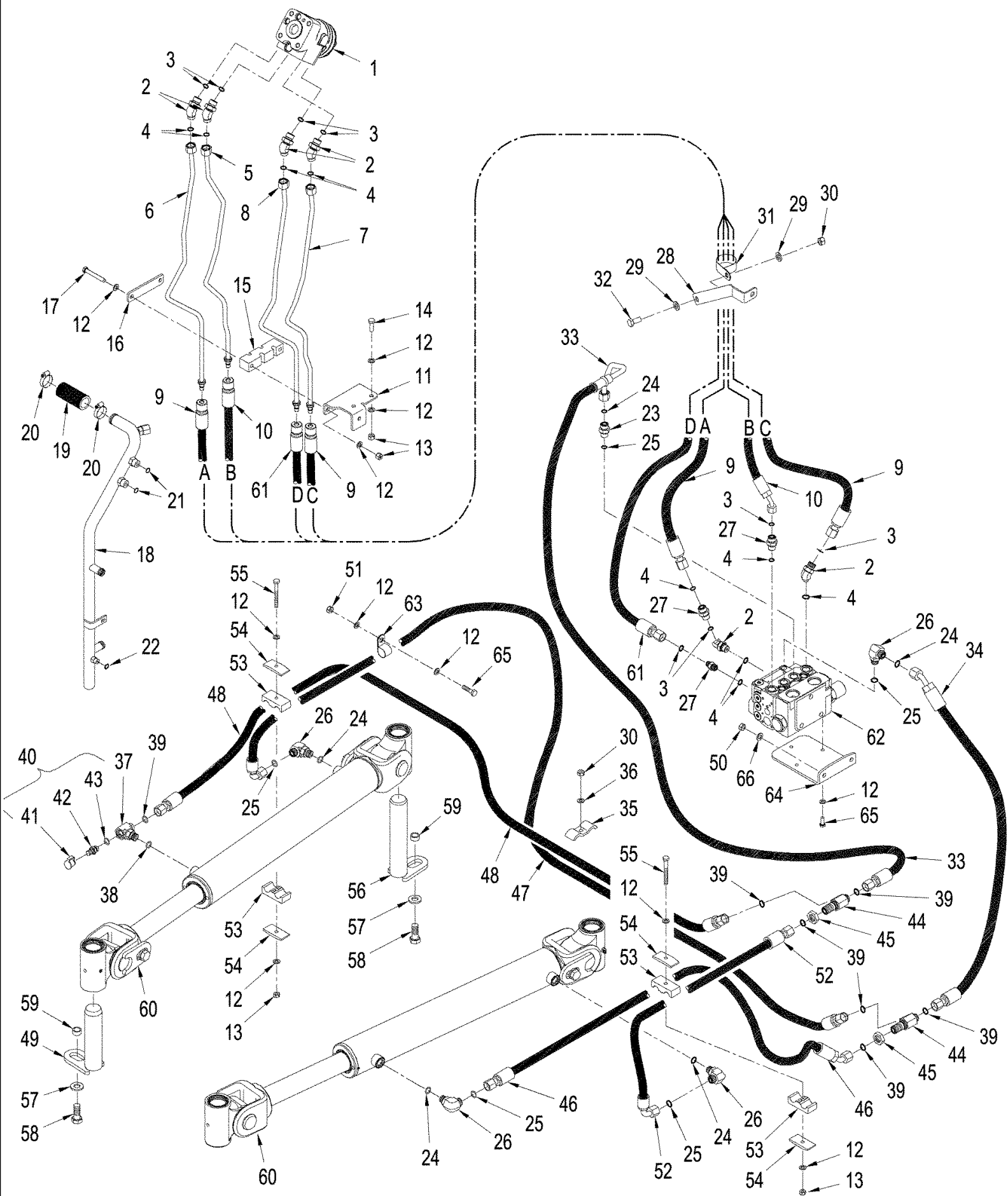
сылка	Номер детали	Кол-во	Описание
	86993721	1	CONTROL, Transmission, Inc. 1 - 3, 5 - 15, 17 - 19, With Self Cancel
1	325362A1	1	CHASSIS, Transmission Control
2	325065A1	1	HOUSING, Lower
3	284777A1	1	SWITCH, Turn Signal, With Self Cancel
4	435437A1	1	STRAP, CABLE, 3/16" x 7 1/4",
5	447256A2	1	SWITCH, FNRP
6	86585706	7	SCREW, Cross Pan Hd, M4 x 10,
7	325064A1	1	HOUSING, Upper
8	303466A1	1	SYMBOLS, Right-Hand Turn
9	303467A1	1	SYMBOLS, Left-Hand Turn
10	86639307	7	WASHER, Lock, M4
11	325363A1	1	LEVER, FNRP
12	250939A1	1	SPRING,
13	325068A1	1	BELLOWS,
14	325066A2	1	GUARD,
15	303465A2	1	LAMP, Flasher
16	392699A1	1	FASTENER,
17	325533A1	1	HANDLE, FNRP
18	905974R1	2	SCREW, SELF TAPPING, Pan Hd, M2.9 x 13,
19	358353A1	1	SYMBOLS, FNRP

05-04 STEERING COLUMN ASSEMBLY



05-04 STEERING COLUMN ASSEMBLY

сылка	Номер детали	Кол-во	Описание
	87387459	1	STEERING COLUMN, Steering, Inc. 1 - 27
	87377005	1	KIT, SERVICE, Renovation, Inc. 1 - 17
1	NSS	1	NOT SERVICED SEPARATELY, Washer, Lock
2	NSS	1	NOT SERVICED SEPARATELY, Washer, Lock
3	NSS	1	NOT SERVICED SEPARATELY, Bushing, Telescoping Spring
4	NSS	2	NOT SERVICED SEPARATELY, Bearing, Axial
5	NSS	1	NOT SERVICED SEPARATELY, Arm, Regulating
6	NSS	1	NOT SERVICED SEPARATELY, Spring, Tilt Return
7	NSS	1	NOT SERVICED SEPARATELY, Spring, Telescoping
8	NSS	2	NOT SERVICED SEPARATELY, Plate, Tilt Position
9	NSS	2	NOT SERVICED SEPARATELY, Stop, Tilt, 24"
10	NSS	1	NOT SERVICED SEPARATELY, Clevis, Pin
11	NSS	1	NOT SERVICED SEPARATELY, Screw, Hook
12	NSS	2	NOT SERVICED SEPARATELY, Screw, M6 x 18
13	NSS	3	NOT SERVICED SEPARATELY, Nut, Locking, M6
14	NSS	1	NOT SERVICED SEPARATELY, Bushing, Catch
15	NSS	1	NOT SERVICED SEPARATELY, Spring, Catch
16	NSS	1	NOT SERVICED SEPARATELY, Spring, Seat
17	NSS	2	NOT SERVICED SEPARATELY, Catch
	87377007	1	KIT, SERVICE, Cover, Inc. 18 - 20
18	NSS	1	NOT SERVICED SEPARATELY, Cover, Upper
19	NSS	1	NOT SERVICED SEPARATELY, Cover, Lower
20	NSS	2	NOT SERVICED SEPARATELY, Screw, M5 x 16
	87377012	1	KIT, SERVICE, Boot, Inc. 21 - 23
21	NSS	1	NOT SERVICED SEPARATELY, Plate, Support
22	NSS	1	NOT SERVICED SEPARATELY, Wire, Support
23	NSS	1	NOT SERVICED SEPARATELY, Boot
	87377013	1	KIT, SERVICE, Release Lever, Inc. 24 - 27
24	NSS	1	NOT SERVICED SEPARATELY, Tie, Cable
25	NSS	1	NOT SERVICED SEPARATELY, Retainer, Cable
26	NSS	1	NOT SERVICED SEPARATELY, Lever, Release
27	NSS	1	NOT SERVICED SEPARATELY, Cable



T9040 4WD TRACTOR, ASN (8/07-) - Steering System

05-05 HYDRAULICS - STEERING

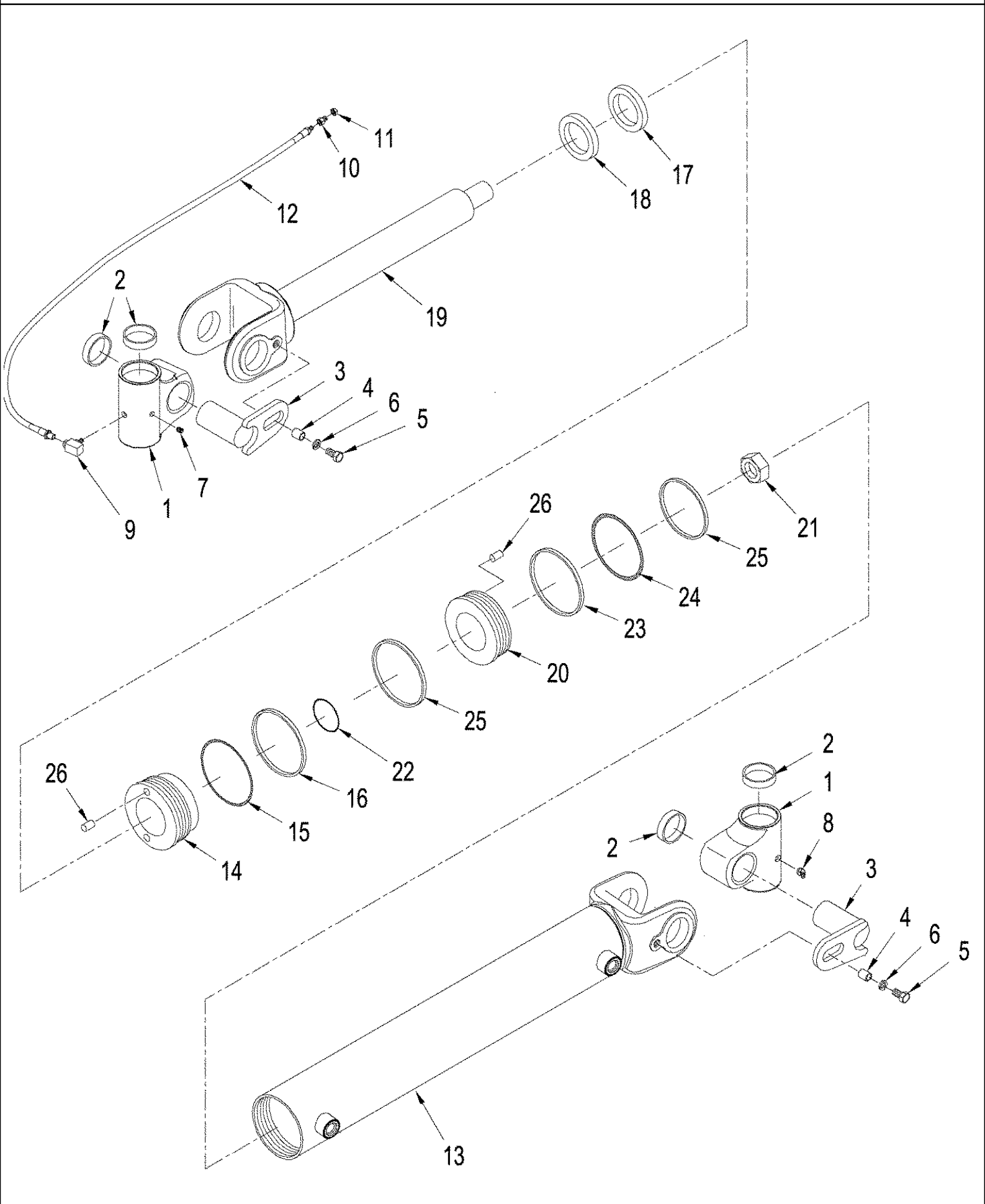
сылка	Номер детали	Кол-во	Описание
1	87426127	1	STEERING HYDRAULIC, Orbital, Steering Control, See Figure: 05-08
2	700-446	6	ELBOW, 45є, 11/16"-18 ORFS x M18 x 1.5 ORB, Inc. 3 & 4
3	637-64236	6	O-RING, CI 6, 23.6MM ID x 2.9 Thk,
4	238-6012	6	O-RING, -012, 90 Duro, .364" ID x .070" Thk,
5	87312091	1	TUBE, Port 'P', Steering Orbital to Priority Valve
6	87312093	1	TUBE, Port 'T', Steering Orbital to Priority Valve
7	87312089	1	TUBE, Port 'L', Steering Orbital to Priority Valve
8	87312087	1	TUBE, Port 'R', Steering Orbital to Priority Valve
9	87312095	2	HOSE, 838 mm (33"), Steering Orbital to Priority Valve
10	87312096	1	HOSE, 785 mm (31"), Steering Orbital to Priority Valve
11	87347856	1	BRACKET, Tube Holder
12	86624184	26	WASHER, M8 x 16 x 1.6,
13	412250	14	NUT, LOCK, M8 x 1.25, CI 8,
14	43234	5	BOLT, Hex, M8 x 25, 10.9,
15	87403324	1	BRACKET, SUPPORTING, Tube Mounting
16	87436024	1	MOUNTING PARTS, Steering Control Tubes
17	86625005	2	BOLT, Hex, M8 x 60, 10.9,
18	87439775	1	TUBE ASSY., Return, to Hydraulic Tank
19	435413A1	1	HOSE, 38 mm (1-1/2"), to Hydraulic Tank
20	86624194	2	CLAMP, HOSE, #36, 1.81/2.75 Type F Worm,
21	9992069	2	O-RING, -016, 90 Duro, .614" ID x .070" Thk,
22	9992298	1	O-RING, -014, 90 Duro, .489" ID x .070" Thk,
23	86579676	1	CONNECTOR, HYD., 13/16"-16 ORFS x M18 x 1.5 ORB, Inc. 24 & 25
24	86639043	1	O-RING, 90 Duro, 15.3 ID x 2.2 thk
25	9992298	1	O-RING, -014, 90 Duro, .489" ID x .070" Thk,
26	86579691	4	ELBOW, 90є, 13/16"-18 ORFS x M18 x 1.5 ORB, Inc. 24 & 25
27	86579673	2	CONNECTOR, HYD., 11/16"-16 ORFS x M18 x 1.5 ORB, Inc. 3 & 4
28	87304378	1	BRACKET, Mounting, Steering Control Hoses
29	86625255	3	WASHER, M13.5 x 24.5 x 3, HT,
30	337475	3	NUT, M12, CI 10,
31	515-25508	1	CLAMP, 2", Insul, 1/2" Bolt,
32	398792	1	BOLT, Hex, M12 x 25, 10.9,
33	87304379	1	HOSE ASSY.,
34	87439175	1	HOSE ASSY., 1257 mm (49-1/2")
35	242563A1	1	CLAMP,
36	412123	1	WASHER, M12,
37	364967A1	1	TEE, M18 or x 12 fc sl, Inc. 38 & 39
38	86639043	1	O-RING, 90 Duro, 15.3 ID x 2.2 thk
39	9992298	1	O-RING, -014, 90 Duro, .489" ID x .070" Thk,
40	178889A1	1	FITTING, Diagnostic, Inc. 41 - 43
41	86502604	1	DUST CAP,
42	NSS	1	NOT SERVICED SEPARATELY, Fitting
43	86639042	1	O-RING, CI 6, 11.3MM ID x 2.2 Thk,
44	86639080	2	TEE, 13/16"-16 ORFS, Blkd Run, Inc. 39
45	86639083	2	NUT, LOCK, 13/16"-16, ORFS Blkhd,

T9040 4WD TRACTOR, ASN (8/07-) - Steering System

05-05 HYDRAULICS - STEERING

сылка	Номер детали	Кол-во	Описание
46	87439172	1	HOSE ASSY., 991 mm (39"), Articulation Cylinder to Priority Valve
47	87312871	1	HOSE, 1170 mm (46"), Articulation Cylinder to Priority Valve
48	367243A1	1	HOSE ASSY., 1605 mm (63"), Articulation Cylinder to Priority Valve
49	70-6076T3	2	PIN,
50	829-1410	2	NUT, M10, CI 10,
51	43362	4	NUT, M8, CI 10,
52	367244A1	1	HOSE, 550 mm (21-1/2"), Articulation Cylinder to Priority Valve
53	435470A1	4	CLAMP,
54	435468A1	4	PLATE, Cover
55	86556137	2	BOLT, Hex, M8 x 70, 10.9,
56	435506A1	2	PIN,
57	86624189	4	WASHER, 21/32" x 1 5/16" x .150",
58	374835	4	BOLT, Hex, M16 x 40, 10.9,
59	435501A1	4	SPACER,
60	406999A1	2	CYLINDER STEERING,
61	87312097	1	HOSE, 892 mm (35"), Steering Orbital to Priority Valve
62	87585897	1	VALVE, HYDRAULIC, Priority / EHPS, See Figure: 08-13
63	515-23206	4	CLAMP, 13/16", Insul, 3/8" Bolt,
64	87550230	1	BRACKET, Priority / EHPS Valve
65	627-8020	3	BOLT, Hex, M8 x 20, 10.9, , Used on Power Shift Models
65	627-8016	3	BOLT, Hex, M8 x 16, 10.9, , Used with Manual Shift Models
66	895-11010	2	WASHER, M10 x 20 x 2,

05-06 CYLINDER ASSY - ARTICULATION

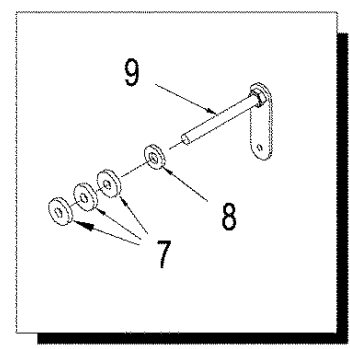
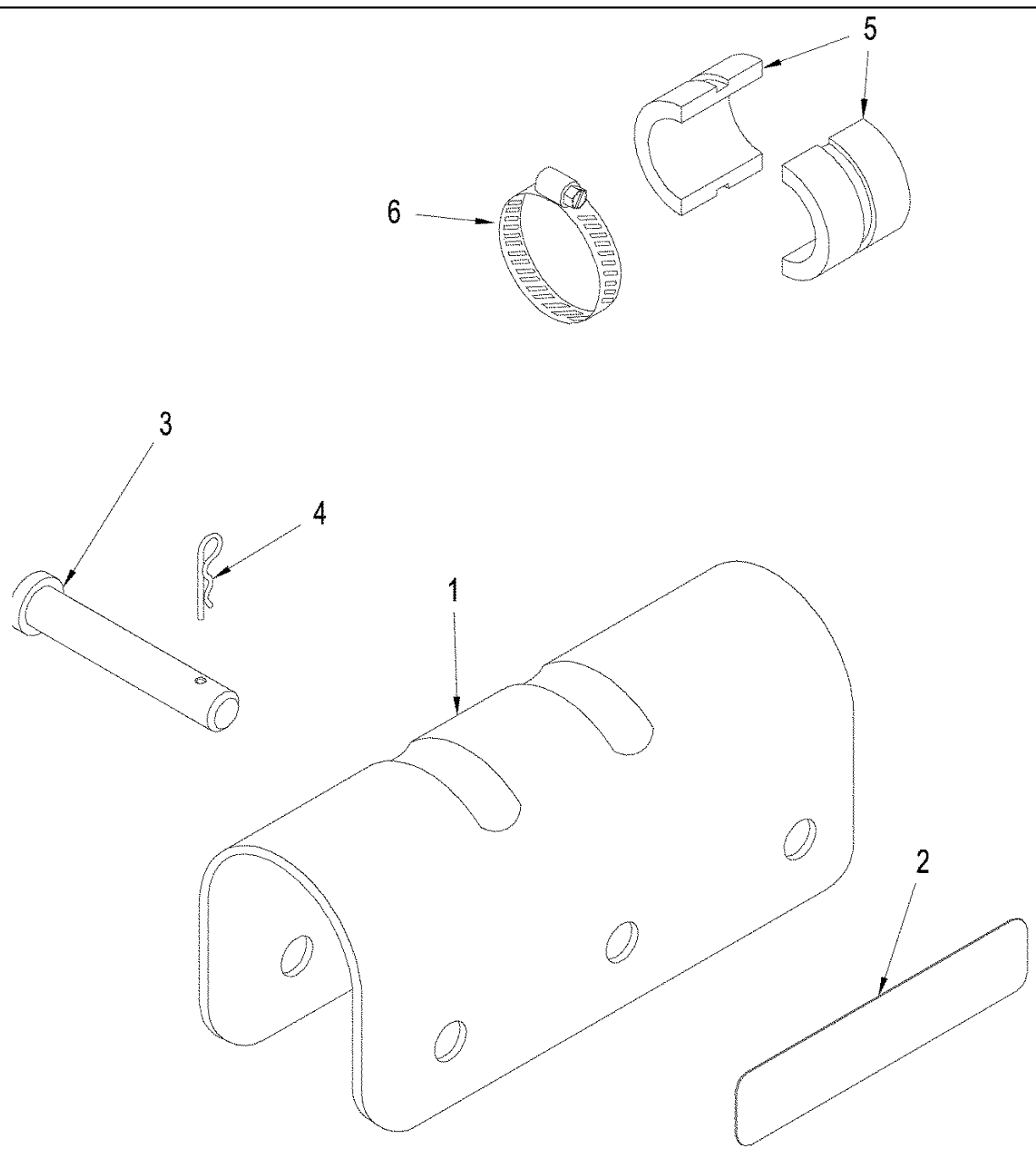


T9040 4WD TRACTOR, ASN (8/07-) - Steering System

05-06 CYLINDER ASSY - ARTICULATION

сылка	Номер детали	Кол-во	Описание
1	409685A1	2	JOINT,
2	D95143	8	SEAL,
3	435504A1	2	PIN,
4	435501A1	2	SPACER,
5	86529976	2	BOLT, Hex, M16 x 35, 10.9,
6	86625266	2	WASHER, M17.5 x 30 x 4, HT,
7	86637724	2	PLUG, Hex Soc, 1/8"-27 NPTF,
8	80717	1	NIPPLE, LUBE, 45с, 1/8" NPT x 7/8" lg,
9	84015293	1	ELBOW, 90с, 1/8"-27 Female x 1/8"-27 Male,
10	F53473	1	NUT,
11	86636814	1	NIPPLE, LUBE, 1/4"-28 x .52" lg, Grease
12	1339090C1	1	HOSE, 838 mm (33 in)
	406999A1	1	CYLINDER STEERING, Inc. 13 - 26
13	NSS	1	NOT SERVICED SEPARATELY, Barrel
14	387652A1	1	CAP CYLINDER END,
15	NSS	1	NOT SERVICED SEPARATELY, Ring
16	NSS	1	NOT SERVICED SEPARATELY, O-Ring
17	NSS	1	NOT SERVICED SEPARATELY, Seal
18	NSS	1	NOT SERVICED SEPARATELY, Wiper
19	387650A1	1	ROD, PISTON,
20	387648A1	1	PISTON,
21	86016798	1	NUT, LOCK, 1 1/4"-12, GC,
22	NSS	1	NOT SERVICED SEPARATELY, O-Ring
23	NSS	1	NOT SERVICED SEPARATELY, Ring, Piston
24	NSS	1	NOT SERVICED SEPARATELY, Seal, Piston
25	NSS	2	NOT SERVICED SEPARATELY, Ring, Wear
26	NSS	1	NOT SERVICED SEPARATELY, Screw
	387654A1	1	PACKAGE, SEALS, Inc. 15 - 18, 22 - 26

05-07 LOCK ARTICULATION

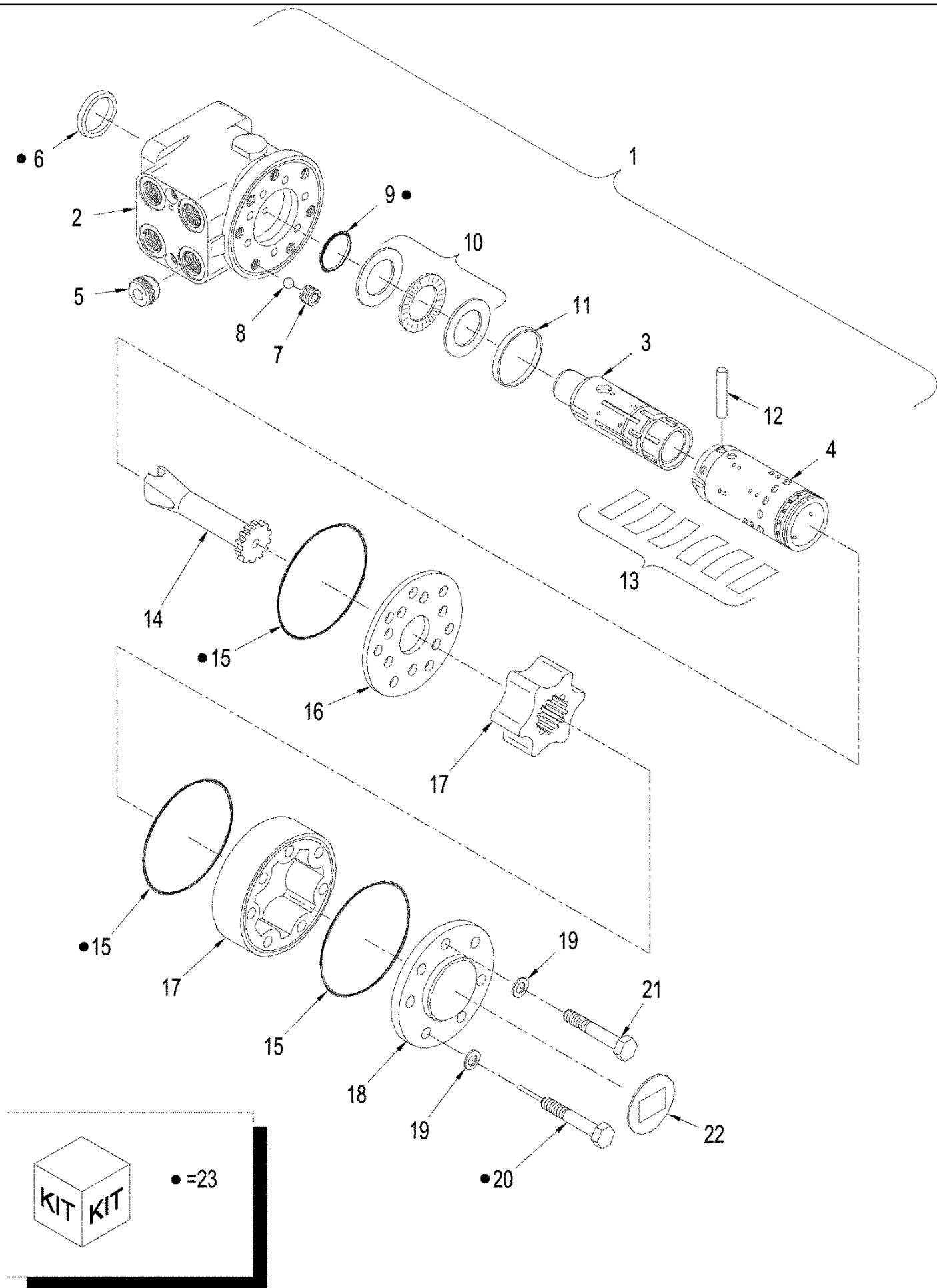


T9040 4WD TRACTOR, ASN (8/07-) - Steering System

05-07 LOCK ARTICULATION

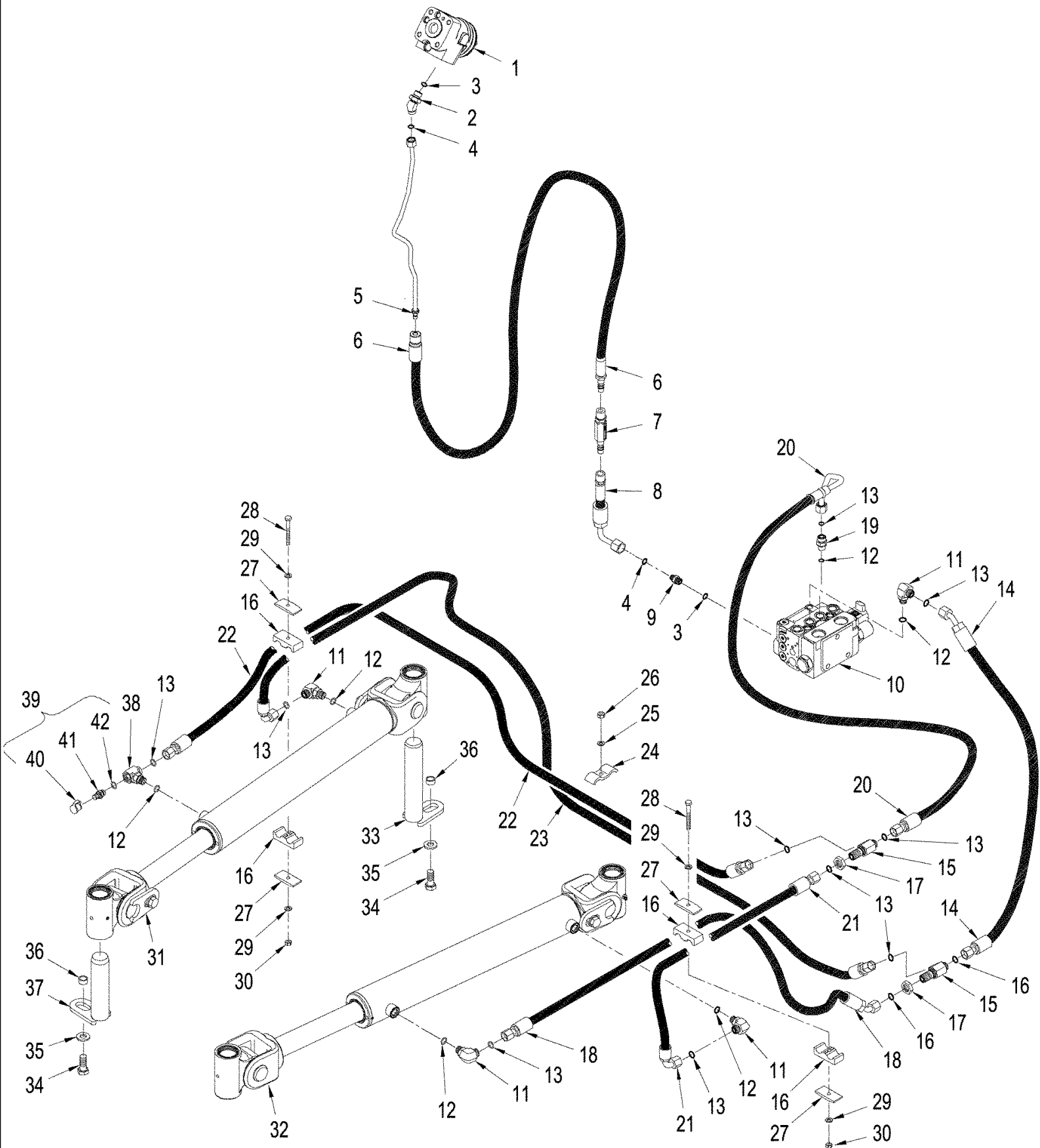
сылка	Номер детали	Кол-во	Описание
1	345096A2	1	LOCK, Articulation, 214mm (8 in), With Stops
1	403817A2	1	LOCK, Articulation, Without Stops
1	344882A2	1	LOCKING DEVICE, Articulation, Scraper Model
2	440518A1	1	DECAL,
3	86637938	1	PIN, CLEVIS, 1/2" x 3 1/4", Clevis
4	435425A1	1	PIN, 1/8"
5	370865A1	4	STOP, Articulation
6	86625034	2	CLAMP, HOSE, #64, 3.56/4.50 Type F Worm,
7	321232A1	2	BUSHING,
8	896-15012	1	WASHER, M12 x 28.5 x 4, HT,
9	406390A1	1	HANDLE,

05-08 STEERING CONTROL VALVE



05-08 STEERING CONTROL VALVE

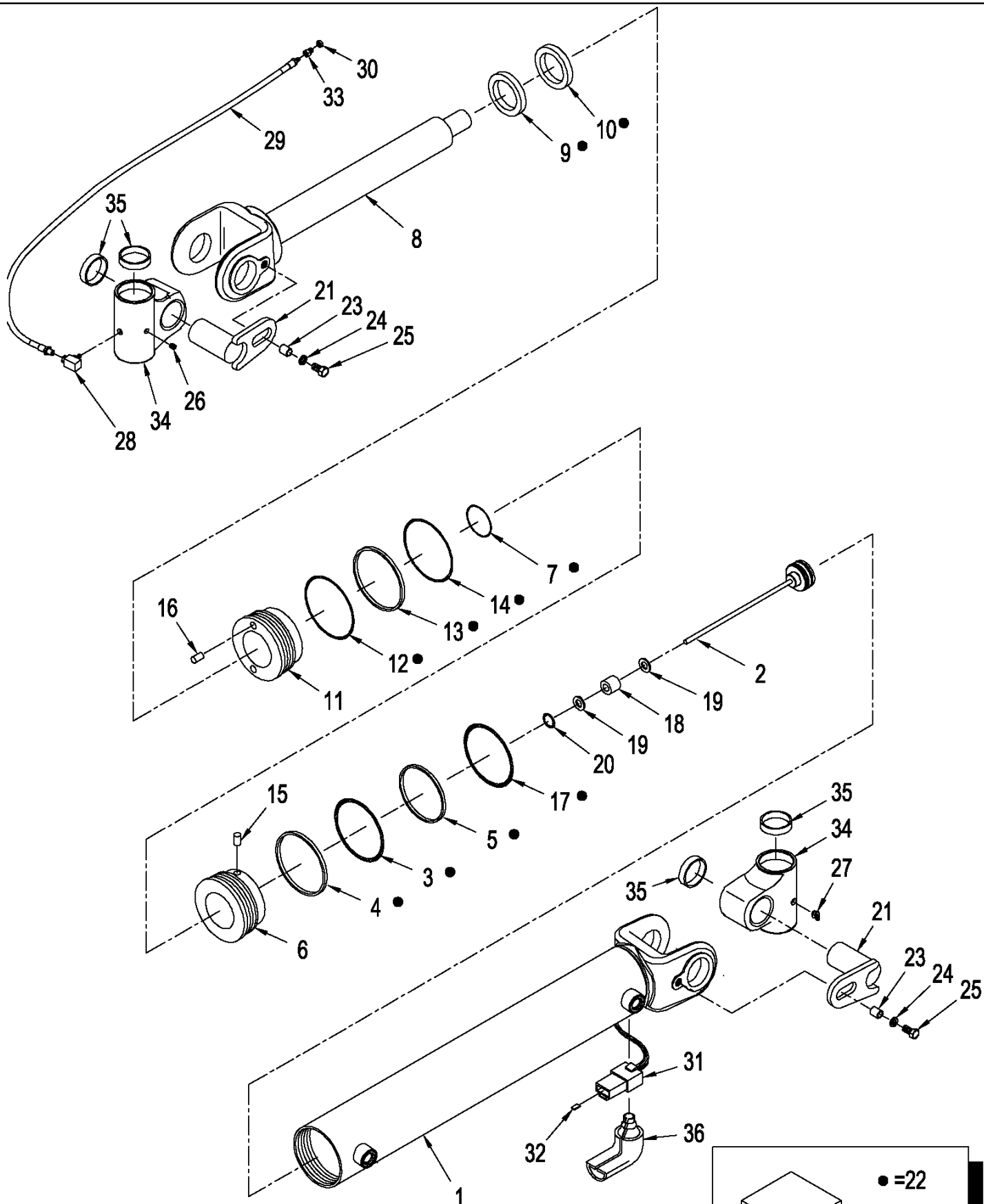
сылка	Номер детали	Кол-во	Описание
1	87426127	1	STEERING HYDRAULIC, Steering Control Orbital, Inc. 2 - 22
2	NSS	1	NOT SERVICED SEPARATELY, Housing
3	NSS	1	NOT SERVICED SEPARATELY, Spool
4	NSS	1	NOT SERVICED SEPARATELY, Sleeve
5	NSS	1	NOT SERVICED SEPARATELY, Valve, Check
6	NSS	1	NOT SERVICED SEPARATELY, Seal, Dust Ring
7	NSS	1	NOT SERVICED SEPARATELY, Bushing
8	NSS	1	NOT SERVICED SEPARATELY, Ball
9	NSS	1	NOT SERVICED SEPARATELY, O-Ring
10	NSS	1	NOT SERVICED SEPARATELY, Bearing Assy.
11	NSS	1	NOT SERVICED SEPARATELY, Ring
12	NSS	1	NOT SERVICED SEPARATELY, Pin, Cross
13	NSS	6	NOT SERVICED SEPARATELY, Springs
14	NSS	1	NOT SERVICED SEPARATELY, Shaft, Cardan
15	NSS	3	NOT SERVICED SEPARATELY, O-Ring
16	NSS	1	NOT SERVICED SEPARATELY, Plate, Distributor
17	NSS	1	NOT SERVICED SEPARATELY, Gear Wheel, Set
18	NSS	1	NOT SERVICED SEPARATELY, Cover, End
19	NSS	7	NOT SERVICED SEPARATELY, Washer
20	NSS	1	NOT SERVICED SEPARATELY, Screw, with Pin
21	NSS	6	NOT SERVICED SEPARATELY, Screw
22	NSS	1	NOT SERVICED SEPARATELY, Plate, Name
23	87345879	1	KIT, Steering Valve Seal, Inc. 6, 9, 15, & 19

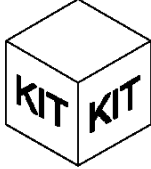


T9040 4WD TRACTOR, ASN (8/07-) - Steering System

05-09 INTELLISTEER - HYDRAULIC, STEERING

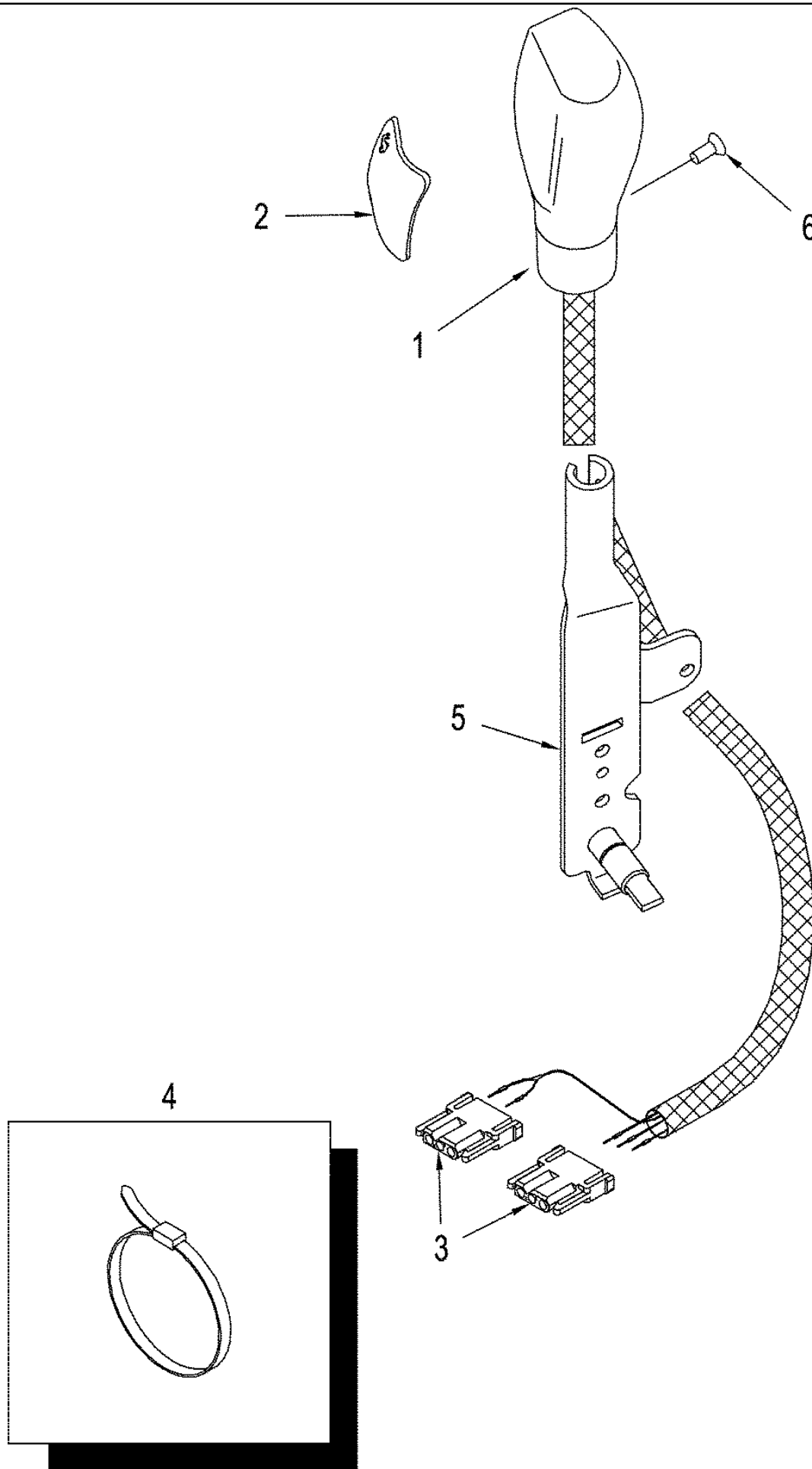
сылка	Номер детали	Кол-во	Описание
1	87426127	1	STEERING HYDRAULIC, Control, See Figure: 05-08
2	700-446	1	ELBOW, 45є, 11/16"-18 ORFS x M18 x 1.5 ORB, Inc. 3 & 4
3	637-64236	6	O-RING, CI 6, 23.6MM ID x 2.9 Thk,
4	238-6012	6	O-RING, -012, 90 Duro, .364" ID x .070" Thk,
5	87312091	1	TUBE, Port 'P', Steering Orbital to Priority Valve
6	87347199	1	HOSE, Steering Orbital to Priority Valve
7	87452749	1	SWITCH, PRESSURE, In-Line Flow
8	87347197	1	HOSE, 160 mm (6-1/4"), Adapter
9	700-106	1	CONNECTOR, HYD., 11/16"-16 ORFS x M18 x 1.5 ORB, Inc. 3 & 4
10	87585898	1	VALVE, HYDRAULIC, EHPS / Priority, See Figure: 08-13
11	700-305	4	ELBOW, 90є, 13/16"-18 ORFS x M18 x 1.5 ORB, Inc. 12 & 13
12	637-63153	1	O-RING, CI 6, 15.3MM ID x 2.2 Thk,
13	238-6014	1	O-RING, -014, 90 Duro, .489" ID x .070" Thk,
14	87439175	1	HOSE ASSY., 1257 mm (49-1/2"), Priority Valve to Articulation Cylinder
15	701-423	2	TEE, 13/16"-16 ORFS, Blkd Run, Inc. 13
16	50-2551T1	4	CLAMP,
17	701-903	2	NUT, LOCK, 13/16"-16, ORFS Blkhd,
18	87439172	1	HOSE ASSY., 991 mm (39"), Priority Valve to Articulation Cylinder
19	700-102	1	CONNECTOR, HYD., 13/16"-16 ORFS x M18 x 1.5 ORB, Inc. 12 & 13
20	87304379	1	HOSE ASSY., 1308 mm (52"), Priority Valve to Articulation Cylinder
21	367244A1	1	HOSE, 550 mm (21-1/2"), Priority Valve to Articulation Cylinder
22	367243A1	1	HOSE ASSY., 1605 mm (63"), Priority Vavle to Articulation Cylinder
23	87312871	1	HOSE, 1170 mm (46-1/2"), Priority Valve to Articulation Cylinder
24	242563A1	1	CLAMP,
25	892-11012	1	WASHER, LOCK, M12,
26	829-1412	3	NUT, M12, CI 10,
27	435468A1	4	PLATE, Cover
28	86556137	2	BOLT, Hex, M8 x 70, 10.9,
29	895-11008	4	WASHER, M8 x 16 x 1.6,
30	832-10408	2	NUT, LOCK, M8 x 1.25, CI 8,
31	406999A1	1	CYLINDER STEERING, Articulation, without Sensor, See Figure: 05-06
32	87552147	1	CYLINDER STEERING, Articulation, with Sensor, See Figure: 05-10
33	435506A1	2	PIN, 9-1/2"
34	627-16040	4	BOLT, Hex, M16 x 40, 10.9,
35	496-21066	4	WASHER, 21/32" x 1 5/16" x .150",
36	435501A1	4	SPACER,
37	70-6076T3	2	PIN,
38	364967A1	1	TEE, M18 or x 12 fc sl, Inc. 12 & 13
39	178889A1	1	FITTING, Diagnostic, Inc. 40 - 42
40	86502604	1	DUST CAP, Dust
41	NSS	1	NOT SERVICED SEPARATELY, Fitting
42	637-63113	1	O-RING, CI 6, 11.3MM ID x 2.2 Thk,



 • = 22

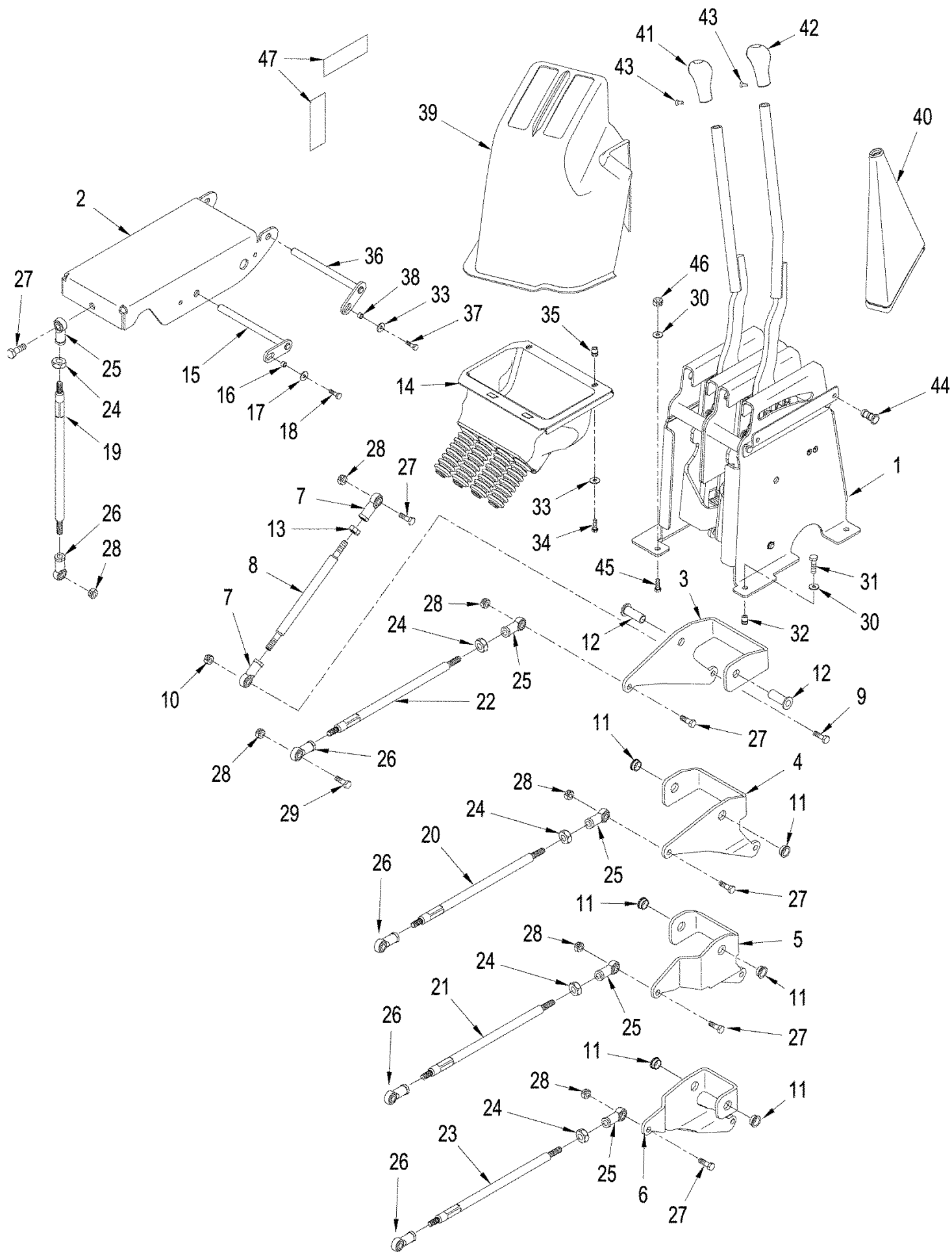
05-10 INTELLISTEER - CYLINDER ASSY., ARTICULATION, WITH SENSOR

сылка	Номер детали	Кол-во	Описание
	87552147	1	CYLINDER STEERING, Inc. 1 - 20
1	87397776	1	CASE, Barrel
2	87552145	1	SENSOR, Rod Sensor, Rear Articulation
3	NSS	1	NOT SERVICED SEPARATELY, O-Ring
4	NSS	1	NOT SERVICED SEPARATELY, SEAL, Piston
5	NSS	1	NOT SERVICED SEPARATELY, RING, Wear
6	87397773	1	PISTON,
7	NSS	1	NOT SERVICED SEPARATELY, O-Ring
8	87397775	1	SHAFT, Rod
9	NSS	1	NOT SERVICED SEPARATELY, WIPER
10	NSS	1	NOT SERVICED SEPARATELY, SEAL, U-Cup
11	87397774	1	HEAD,
12	NSS	1	NOT SERVICED SEPARATELY, O-Ring
13	NSS	1	NOT SERVICED SEPARATELY, RING, Backup
14	NSS	1	NOT SERVICED SEPARATELY, O-Ring
15	NSS	1	NOT SERVICED SEPARATELY, Set Screw
16	NSS	1	NOT SERVICED SEPARATELY, SCREW, Set, 1/4" x 3/8"
17	NSS	1	NOT SERVICED SEPARATELY, O-Ring
18	87397843	1	MAGNET,
19	87397844	2	SPACER,
20	87532453	1	RING, SNAP, Retaining
21	70-6013T2	2	PIN,
22	87397777	1	KIT, SEALS, Inc. 3 - 5, 7, 9, 10, 12 - 14, 17
23	435501A1	2	SPACER,
24	86625266	2	WASHER, M17.5 x 30 x 4, HT,
25	86529976	2	BOLT, Hex, M16 x 35, 10.9,
26	217-429	2	PLUG, Hex Soc, 1/8"-27 NPTF, Socket Hd, 1/8"
27	80717	1	NIPPLE, LUBE, 45c, 1/8" NPT x 7/8" lg,
28	84015293	1	ELBOW, 90c, 1/8"-27 Female x 1/8"-27 Male,
29	1339090C1	1	HOSE,
30	F53473	1	NUT,
31	276426A1	1	CONNECTOR, ELEC, Socket, 4 Pin
32	280448A1	1	LOCK, STOP, Wedge, Connector
33	219-20	1	NIPPLE, LUBE, 1/4"-28 x .52" lg,
34	409685A1	2	JOINT,
35	D95143	8	SEAL, Wiper, Rod
36	87552166	1	SEAL, Boot



06-01 TRANSMISSION AND THROTTLE CONTROL

сылка	Номер детали	Кол-во	Описание
	413804A2	1	HANDLE, Throttle, with skip-shift button, Inc. 1 - 3, With Power Shift Transmission
	413805A1	1	HANDLE, Throttle, Inc. 1 - 3, With Manual Shift Transmission
1	NSS	1	NOT SERVICED SEPARATELY, Handle
2	414628A1	1	DECAL, Throttle Speed
3	235676A1	2	CONNECTOR, , With Power Shift Transmission
3	276424A1	1	CONNECTOR, WIRE, , With Manual Shift Transmission
4	435437A1	2	STRAP, CABLE, 3/16" x 7 1/4",
5	414193A2	1	BRACKET, Support, Throttle / Transmission Shifter, With Power Shift Transmission
5	410029A2	1	BRACKET, Support, Throttle / Transmission Shifter, With Manual Shift Transmission
6	86642447	1	SCREW, Socket, M5 x 12



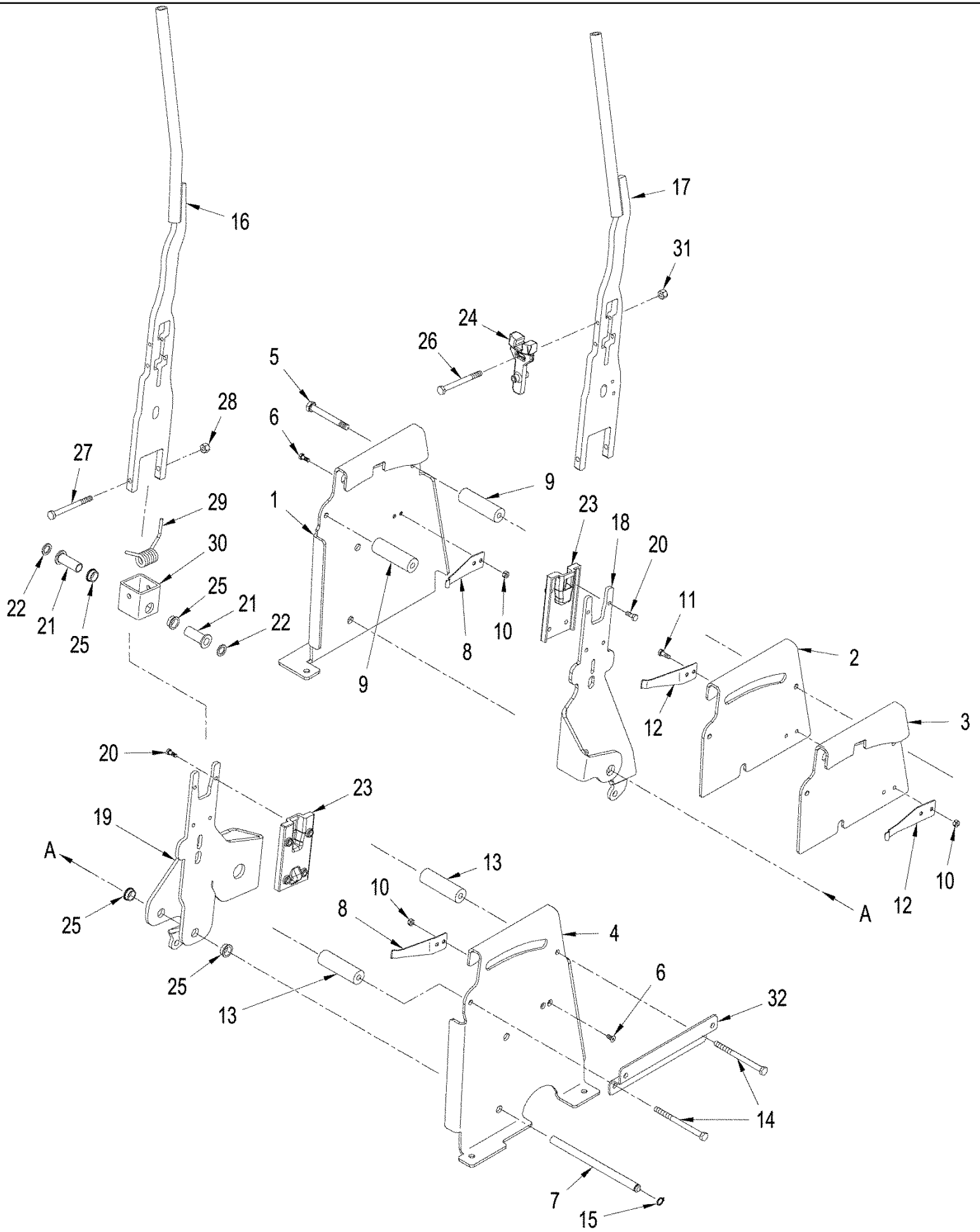
06-02 TRANSMISSION SHIFT CONTROLS, MANUAL SHIFT TRANSMISSION

сылка	Номер детали	Кол-во	Описание
1	REF	1	INSTRUCTION, Shifter Assy., Manual Transmission, See Figure: 06-03
	387647A1	1	BELLCRANK, Bell, Inc. 2 - 18
2	396435A2	1	SUPPORT,
3	396444A1	1	CRANK, Linkage Pivot
4	396445A1	1	CRANK, Linkage Pivot
5	396446A1	1	CRANK, Linkage Pivot
6	396447A1	1	CRANK, Linkage Pivot
7	402749A1	8	BALL JOINT,
8	431198A1	4	ROD,
9	9515003	4	BOLT, Hex, M10 x 30, 10.9, Full Thd,
10	403749A1	4	NUT, Lock, M10; 8
11	431052A1	6	BUSHING,
12	398870A1	2	BUSHING,
13	86500689	4	NUT, M10, CI 10,
14	412355A1	1	BELLOWS,
15	430415A1	1	PIN ASSY.,
16	430546A1	1	SPACER,
17	86624182	1	WASHER, M6 x 18 x 1.6,
18	86505530	1	BOLT, Hex, M6 x 20, 10.9,
	431209A1	1	ROD, Inc. 19, 24-26
	431210A1	1	ROD, Inc. 20, 24-26
	431211A1	1	ROD, Inc. 21, 24-26
	431213A1	1	ROD, Inc. 22, 24-26
	431212A1	1	ROD, Inc. 23, 24-26
19	NSS	1	NOT SERVICED SEPARATELY, Rod, 487 mm (19 in)
20	NSS	1	NOT SERVICED SEPARATELY, Rod, 806 mm (32 in)
21	NSS	1	NOT SERVICED SEPARATELY, Rod, 789 mm (31 in)
22	NSS	1	NOT SERVICED SEPARATELY, Rod, 638 mm (25 in)
23	NSS	1	NOT SERVICED SEPARATELY, Rod, 594 mm (23 in)
24	NSS	1	NOT SERVICED SEPARATELY, Nut, M10; 10
25	402749A1	1	BALL JOINT, Right Hand
26	404639A1	1	BALL JOINT, Left Hand
27	86624978	9	BOLT, Hex, M10 x 35, 10.9, Full Thd,
28	403749A1	13	NUT, Lock, M10; 8
29	86624978	4	BOLT, Hex, M10 x 35, 10.9, Full Thd,
30	86625263	5	WASHER, M8 x 20 x 1.6,
31	43235	5	BOLT, Hex, M8 x 30, 10.9,
32	408566A1	3	INSERT, Threaded
33	86624182	2	WASHER, M6 x 18 x 1.6,
34	120100	2	BOLT, Hex, M6 x 20, 8.8,
35	404287A1	1	INSERT,
36	430415A1	1	PIN ASSY.,
37	86505530	1	BOLT, Hex, M6 x 20, 10.9,
38	430546A1	1	SPACER,
39	410845A4	1	SHROUD,

06-02 TRANSMISSION SHIFT CONTROLS, MANUAL SHIFT TRANSMISSION

сылка	Номер детали	Кол-во	Описание
40	412354A2	2	BELLOWS, Rubber Boot
41	418038A1	1	GRIP, Gear Shifter
42	418039A1	1	GRIP, Range Shifter
43	86639303	2	SCREW, Hex Soc Flat Hd, M5 x 12, 10.9,
44	369929A1	2	FASTENER, Christmas Tree
45	449068A1	2	STUD,
46	829-1408	2	NUT, M8, CI 10,
47	357564A1	2	FASTENER, Velcro

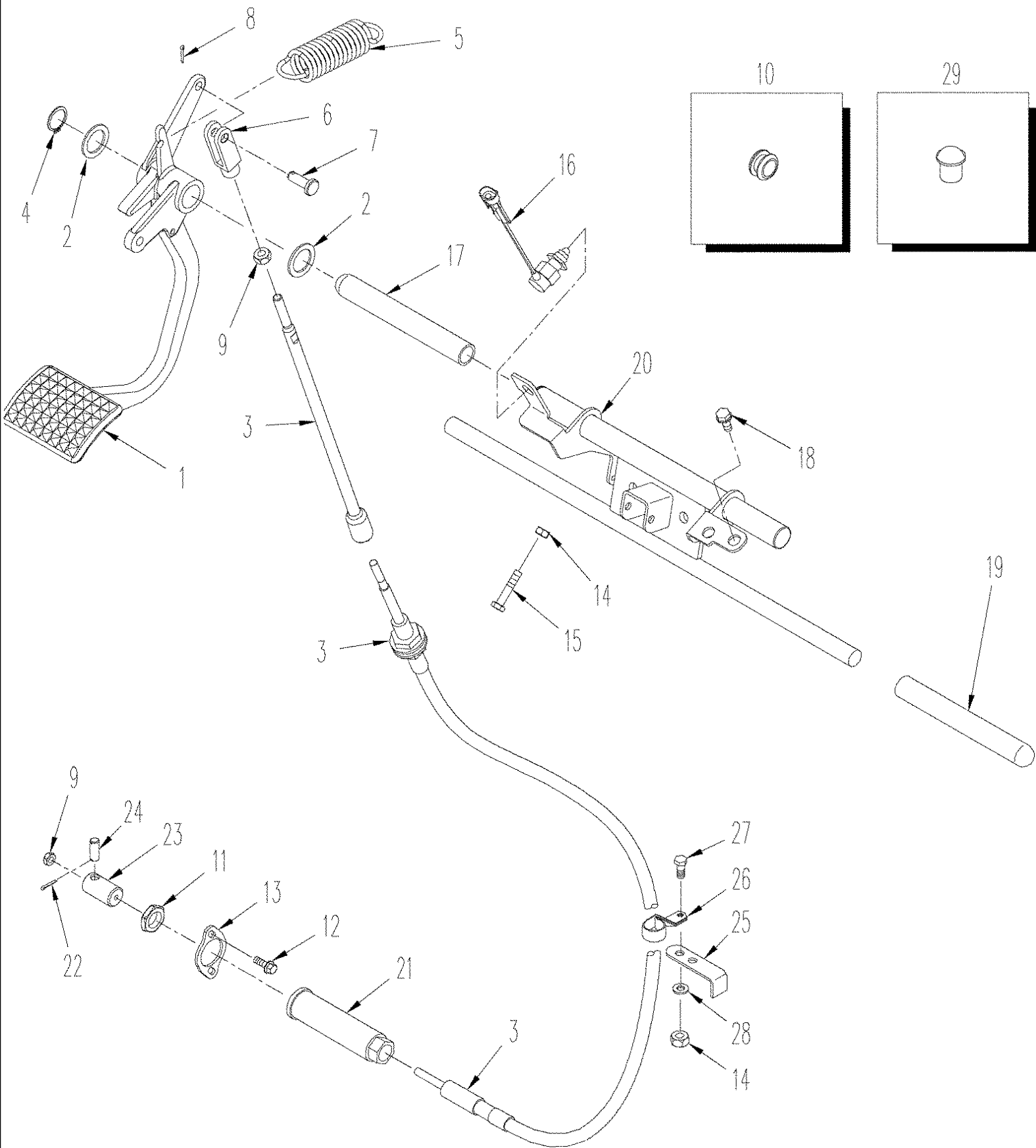
06-03 SHIFTING UNIT ASSEMBLY, WITH MANUAL SHIFT TRANSMISSION



06-03 SHIFTING UNIT ASSEMBLY, WITH MANUAL SHIFT TRANSMISSION

сылка	Номер детали	Кол-во	Описание
1	404630A3	1	PANEL, SIDE, Mounting, Left-Hand
2	404632A3	1	PANEL, SIDE, Mounting, Center, Left-Hand
3	404633A3	1	PANEL, SIDE, Mounting, Center, Right-Hand
4	404631A3	1	PANEL, SIDE, Mounting, Right-Hand
5	43235	2	BOLT, Hex, M8 x 30, 10.9,
6	86511855	4	SCREW, Hex Flat Hd, M6 x 12, 4.8,
7	430841A1	1	PIN ASSY.,
8	409795A2	2	CLIP, SPRING, Spring
9	404635A1	2	SPACER,
10	86500688	6	NUT, M6, CI 10,
11	120100	2	BOLT, Hex, M6 x 20, 8.8,
12	409796A2	2	CLIP, SPRING, Spring
13	404634A1	2	SPACER,
14	86516527	2	BOLT, Hex, M8 x 110, 10.9,
15	300624	1	RING, SNAP, M12, Ext, Ext, M12
16	409790A4	1	LEVER ASSY., Gear Shifter
17	409793A3	1	LEVER ASSY., Range Shifter
18	404644A2	2	LEVER ASSY., Shift, Left Handed
19	419660A2	2	LEVER, Shift, Right Hand
20	86508568	16	SCREW, Hex, M6 x 16, 8.8,
21	398870A1	4	BUSHING,
22	86639312	2	WASHER, M12 x 20 x 2,
23	419737A1	4	GUIDE,
24	419597A2	2	LINKAGE, Shifter
25	431052A1	8	BUSHING,
26	86639189	4	BOLT, Hex, M6 x 60, 10.9,
27	86516395	2	BOLT, Hex, M8 x 90, 10.9,
28	86528579	2	NUT, LOCK, M8 x 1.25, CI 10,
29	409797A1	2	TORSION SPRING,
30	396431A1	2	TUBE, Mounting, Square
31	412250	4	NUT, LOCK, M8 x 1.25, CI 8,
32	87426775	1	BRACKET, Mounting, Shifter Shroud

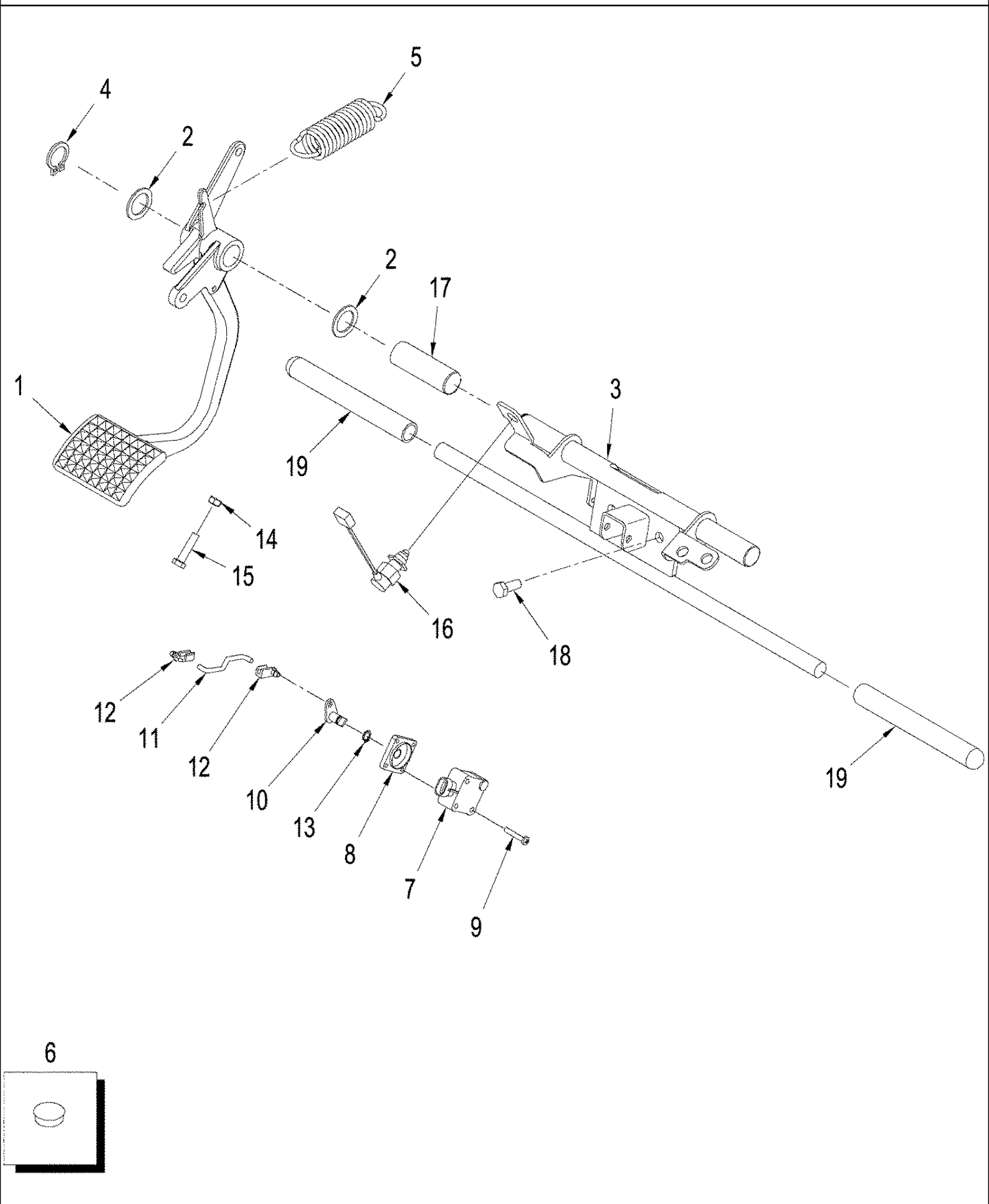
06-04 CLUTCH PEDAL, MANUAL SHIFT TRANSMISSION



06-04 CLUTCH PEDAL, MANUAL SHIFT TRANSMISSION

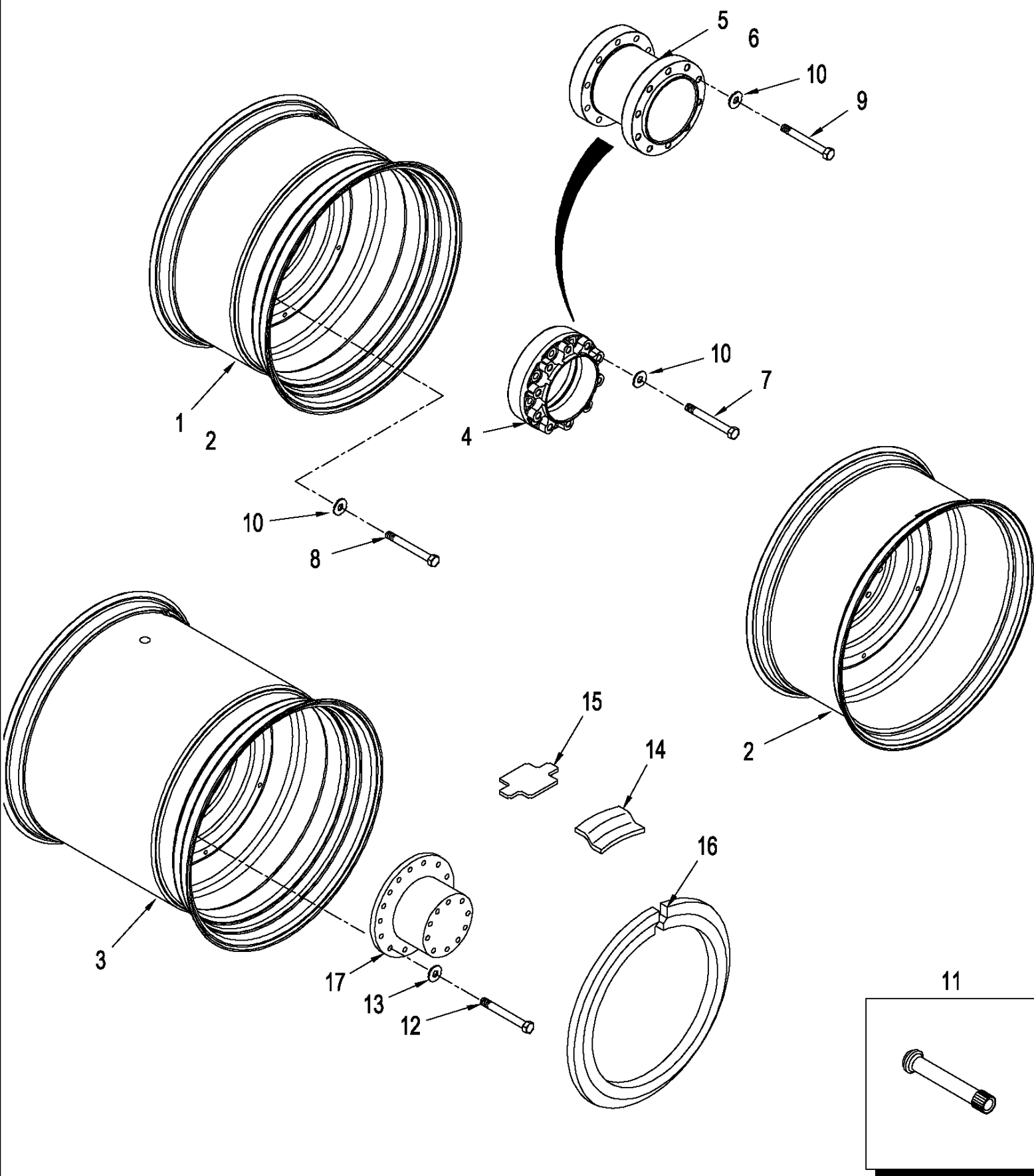
сылка	Номер детали	Кол-во	Описание
1	222462A2	1	PEDAL, Clutch
2	281093A1	2	WASHER,
3	435476A1	1	CABLE, Clutch
4	370002	1	CIRCLIP, M25, Ext,
5	278210A1	1	SPRING,
6	397144A1	1	CLEVIS,
7	86637937	1	PIN, CLEVIS, 3/8" x 11/16",
8	280250	1	PIN, SPLIT (COTTER), 3/32" x 3/4",
9	86637933	3	NUT, Jam, 5/16"-24, G5,
10	86637780	1	GROMMET, 5/8" ID x 1 1/4" Groove Dia, Str Cut,
11	435431A1	1	NUT, Jam
12	86521550	2	BOLT, Hex Flg, 1/4"-20 x 3/4", G5, Full Thd,
13	435547A1	1	FLANGE, Flange
14	43362	1	NUT, M8, CI 10,
15	86639039	1	BOLT, M8 x 35; 10.9
16	417927A1	1	SWITCH, Plunger
17	281893A1	1	BEARING, Pivot
18	43139	2	SCREW, Hex, M10 x 25, 8.8, Full Thd,
19	321961A1	2	MOLDING,
20	87448885	1	SUPPORT, Tube, Clutch / Brake Pedal
21	435546A1	1	SLEEVE,
22	86643106	2	PIN, SPLIT (COTTER), 1/32" x 3/4",
23	NSS	1	NOT SERVICED SEPARATELY, Clutch Valve
24	435428A1	1	PIN,
25	437369A1	1	BRACKET, Mounting, Clamp
26	413187A1	1	CLAMP,
27	43234	1	BOLT, Hex, M8 x 25, 10.9,
28	86624184	1	WASHER, M8 x 16 x 1.6,
29	86625130	1	PLUG, Dome, 1.250" hole, Nylon, Clutch Cable Clearance Hole

06-05 CLUTCH PEDAL, POWER SHIFT TRANSMISSION



06-05 CLUTCH PEDAL, POWER SHIFT TRANSMISSION

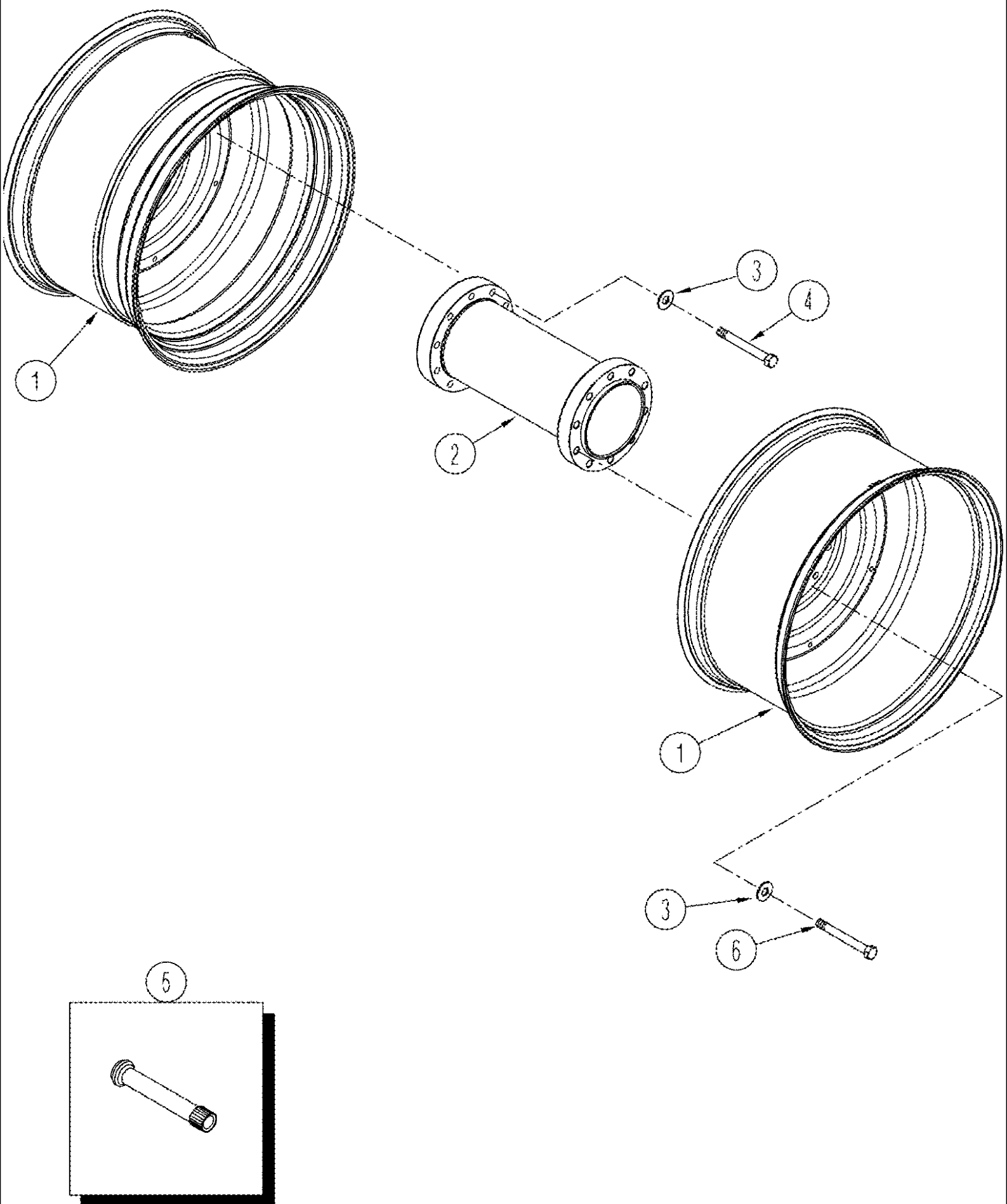
сылка	Номер детали	Кол-во	Описание
1	222462A2	1	PEDAL,
2	281093A1	2	WASHER,
3	87448885	1	SUPPORT,
4	370002	1	CIRCLIP, M25, Ext,
5	278210A1	1	SPRING,
6	86625130	1	PLUG, Dome, 1.250" hole, Nylon, Clutch Cable Clearance Hole
7	283659A1	1	SENSOR, Clutch Position
8	305155A2	1	BUSHING,
9	86502967	2	SCREW, Cross Pan Hd, M5 x 30,
10	322409A1	1	PIN,
11	222463A2	1	LINK,
12	435473A1	2	RETAINER, Clip
13	3991509	1	RING, SNAP, M10, Ext, Retaining, M10
14	43362	1	NUT, M8, CI 10,
15	86639039	1	BOLT, Hex, M8 x 35, 8.8, Full Thd
16	355341A1	1	SWITCH, Plunger
17	281893A1	1	BEARING, Pivot
18	43139	2	SCREW, Hex, M10 x 25, 8.8, Full Thd,
19	321961A1	2	MOLDING,



06-06 WHEELS SINGLE AND DUALS WITH SPACERS

сылка	Номер детали	Кол-во	Описание
1	402881A1	4	RIM, DW27TB x 32, Single, For Tires: 30.5L-32
2	395702A1	AR	RIM, MW23Ax42, Single or Dual, For Tires: 710/70R42
2	395694A1	AR	RIM, MW23Ax38, Single or Dual, For Tires: 710/70R38, 750/65-38, 710/70R38, 710/65-38
2	395705A1	AR	RIM, W16A x 46, Single or Dual, For Tires: 480/80R46, 520/85R46, 18.4R46
2	395693A1	AR	RIM, WH18A x 38, Single or Dual, For Tires: 520/85R38, 20.8R38
2	395698A1	AR	RIM, WH18A x 42, Single or Dual, For Tires: 520/85R42, 20.8R42
2	395700A1	AR	RIM, MW20A x 42, Single or Dual, For Tires: 620/70R42
2	402882A1	AR	RIM, MW28A x 42, Single or Dual, For Tires: 900/50R42, 850/55-42
2	409213A1	AR	RIM, MW25 x 38, Single or Dual, For Tires: 800/70R38
2	395697A1	AR	RIM, W16A x 42, Single or Dual, For Tires: 480/80R42, 18.4R42
2	402880A1	AR	RIM, W12 x 54, Single or Dual, For Tires: 380/90R54
2	395704A1	AR	RIM, W13 x 46, Single or Dual, For Tires: 420/80R46, 14.9R46
2	87451221	AR	WHEEL, 46 x FDW20A, Single or Dual, For Tires: 620/70R46
3	87312788	4	WHEEL, 32 x DWM44, Scraper Model, For Tires: 76 x 50-32, Used with Single Wheel Dual Hub Application
4	405822A1	1	SPACER, 127 mm (5 in)
5	405823A1	1	SPACER, 254 mm (10 in)
6	405824A1	1	SPACER, 330 mm (13 in)
7	86639173	10	BOLT, Hex, M22 x 150, 10.9,
8	827-22080	10	BOLT, Hex, M22 x 80, 10.9, Full Thd,
9	86639171	10	BOLT, Hex, M22 x 130, 10.9,
10	86639318	10	WASHER, 24 x 44 x 4 mm
11	A20058	AR	VALVE STEM,
12	412398	64	BOLT, Hex, M16 x 50, 10.9, , Used with Single Wheel Dual Hub Application, Scraper Model
13	86625266	64	WASHER, M17.5 x 30 x 4, HT, , Scraper Model, Used with Single Wheel Dual Hub Application
14	87380382	1	Side, with Driver Pocket, 32" x 1"
15	87380372	1	Driver
16	87380409	1	Locking, 32" x 31", Type VA5
17	87380429	1	Hub Mounting, FC .375" x 24.675" OD / 10 Hole

06-07 WHEELS TRIPLES WITH SPACERS

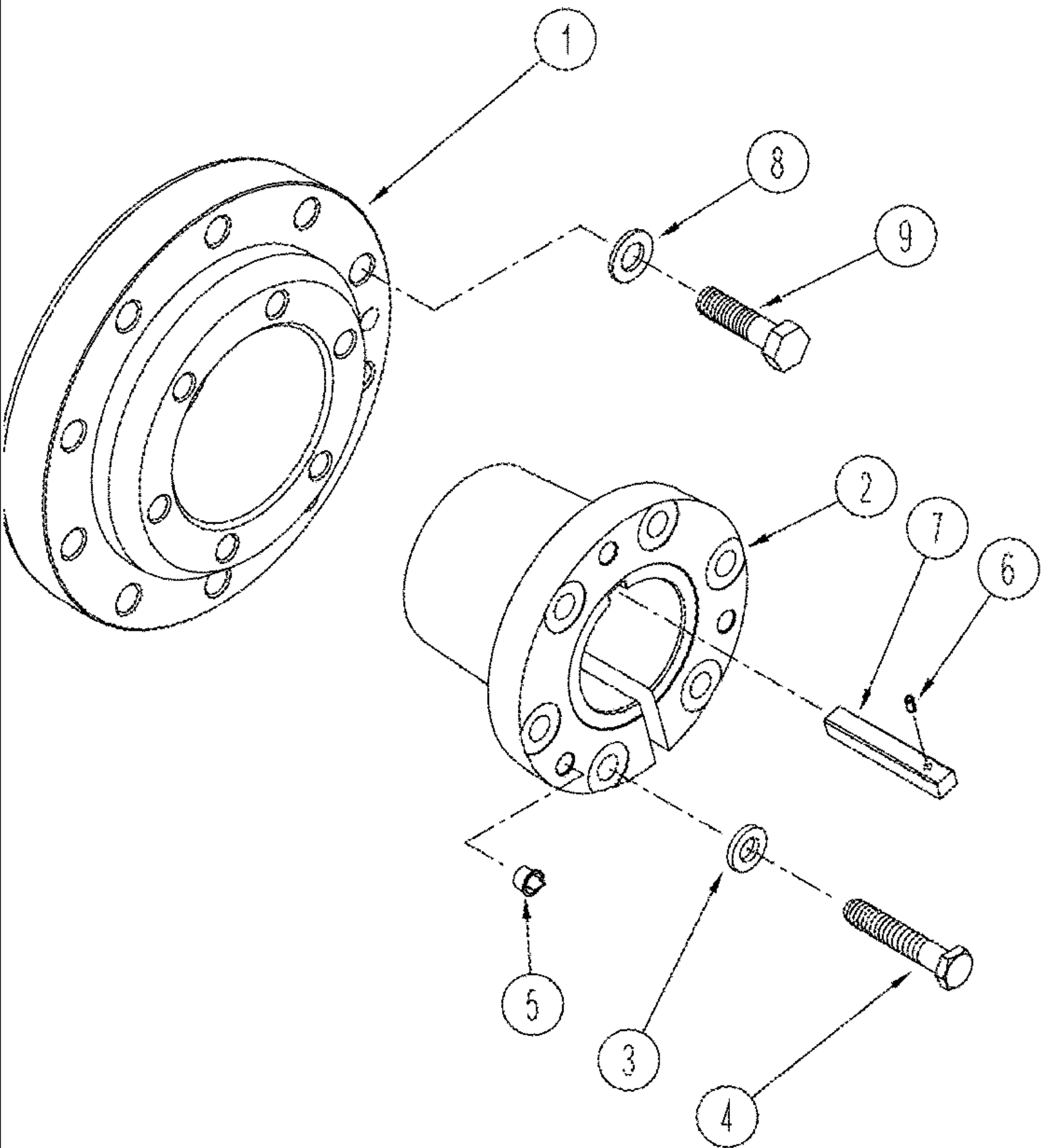


T9040 4WD TRACTOR, ASN (8/07-) - Power Train

06-07 WHEELS TRIPLES WITH SPACERS

сылка	Номер детали	Кол-во	Описание
1	395705A1	12	RIM, W16Ax46, For Tires: 480/80R46, 520/85R46, 18.4R46
1	395698A1	12	RIM, WH18Ax42, For Tires: 520/85R42, 20.8R42
2	409987A1	1	SPACER, 711 mm (28")
3	86639318	10	WASHER, 24 x 44 x 4 mm
4	86639172	10	BOLT, Hex, M22 x 140, 10.9,
5	A20058	AR	VALVE STEM,
6	827-22080	10	BOLT, Hex, M22 x 80, 10.9, Full Thd,

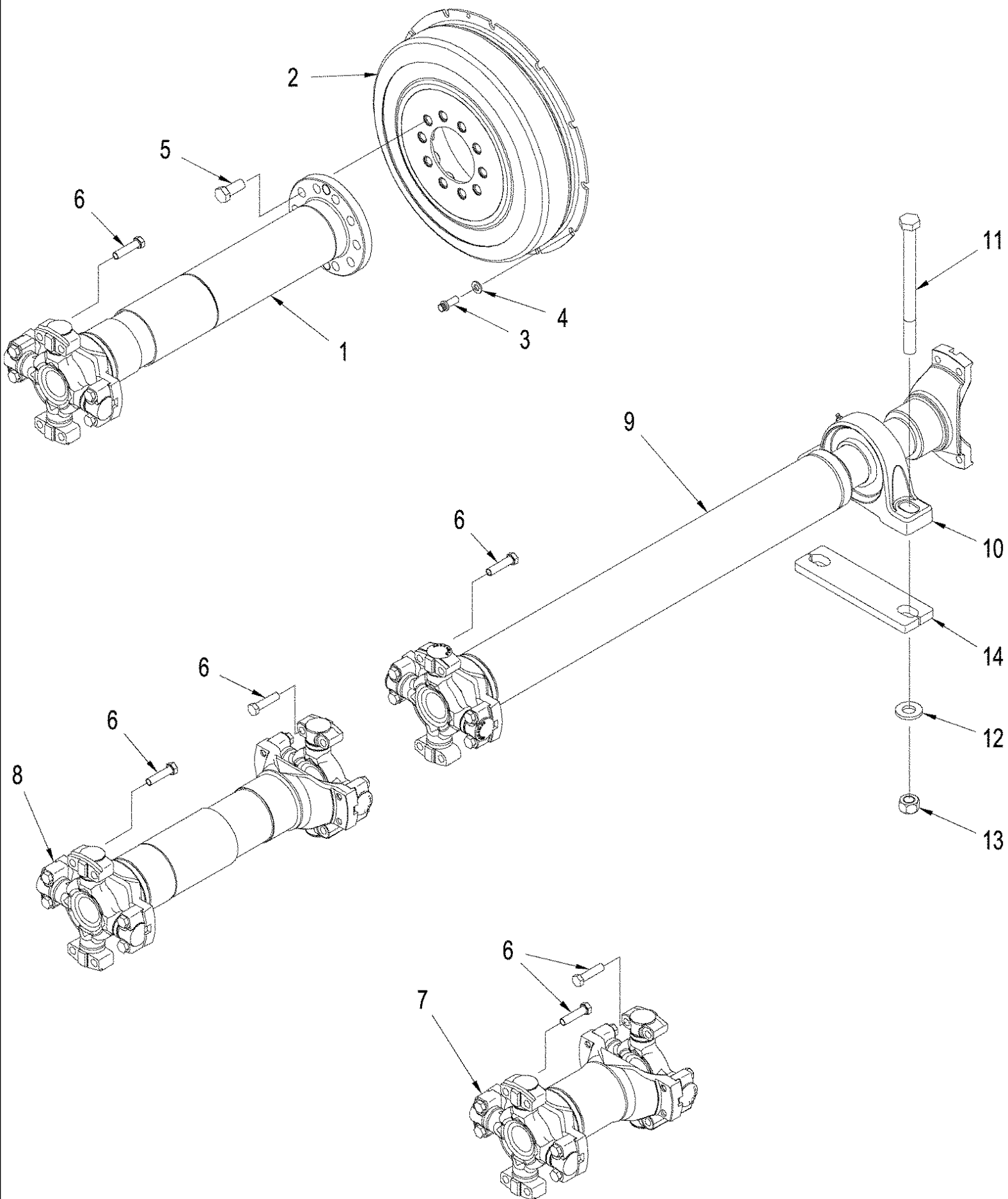
06-08 HUB ASSEMBLY MOUNTING



06-08 HUB ASSEMBLY MOUNTING

сылка	Номер детали	Кол-во	Описание
	405821A1	1	HUB, Inc. 1-5
1	405812A1	1	HUB,
2	405816A1	1	BUSHING, 115 mm (4-1/2")
3	396-31081	6	WASHER, 13/16" x 1 1/2" x .219", HDN,
4	228273A1	6	BOLT, CL 10.9, M20 x 110
5	303401A1	3	PLUG, Plastic
6	86977782	4	PIN, LOCK, 1/4" x 1/2", Slotted,
7	A63219	4	KEY, 3/4" x 6"
8	86639318	40	WASHER, 24 x 44 x 4 mm
9	827-22080	40	BOLT, Hex, M22 x 80, 10.9, Full Thd,

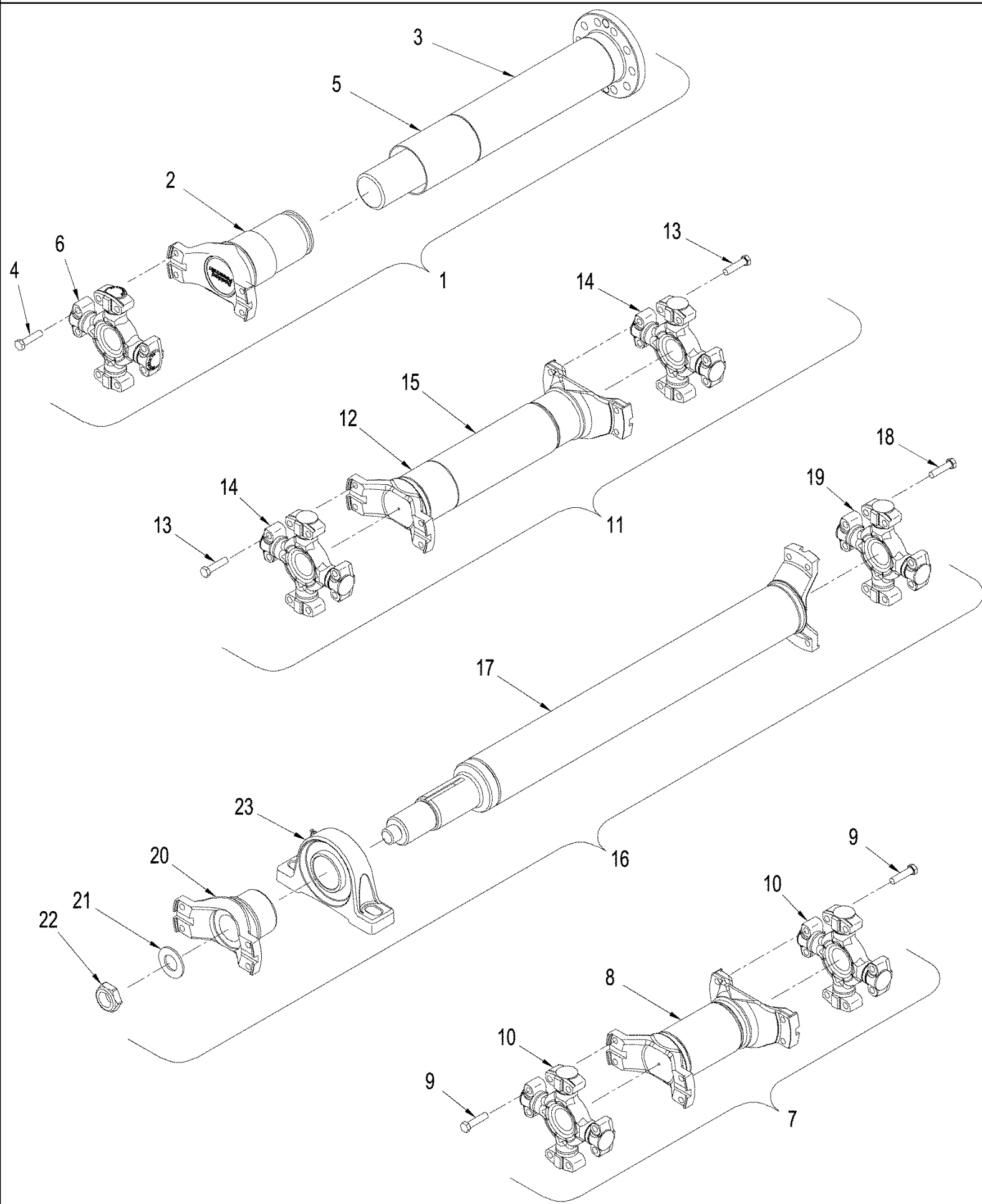
06-09 DRIVE SHAFT MOUNTING



06-09 DRIVE SHAFT MOUNTING

сылка	Номер детали	Кол-во	Описание
1	87440506	1	SHAFT, DRIVE, Input, 8C, See Figure: 6-10, With Manual Shift Transmission
1	87440505	1	SHAFT, DRIVE, Input, 8C, See Figure: 6-10, With Power Shift Transmission, 450 Series Axle
1	87440503	1	SHAFT, DRIVE, Input, 8.5C, See Figure: 6-10, With Power Shift Transmission, 500 Series Axle
1	402189A1	1	SHAFT, DRIVE, Input, 8.5C, See Figure: 06-10, 500 Series Axle, With Power Shift Transmission, T906
2	378758A2	1	DAMPER, Vibration, Also Order 86639139
3	86639139	12	SCREW, 12 Pt Flg, Hd, 7/16"-14 x 1, Flange, 7/16 x 1; 8
4	496-81010	12	WASHER,
5	88685	10	BOLT, Hex, 5/8"-11 x 1 1/2", G8, Full Thd,
6	337476	24	BOLT, Hex, M12 x 50, 10.9, , 450 Series Axle
6	43263	24	BOLT, Hex, M12 x 60, 10.9, , 500 Series Axle
7	402186A1	1	SHAFT, DRIVE, Front Axle, See Figure: 06-10
7	402191A1	1	SHAFT, DRIVE, Front Axle, See Figure: 06-10, 500 Series Axle
8	402187A1	1	SHAFT, DRIVE, Articulation, See Figure: 06-10, 450 Series Axle
8	402192A1	1	SHAFT, DRIVE, Articulation, See Figure: 06-10, 500 Series Axle
9	402188A1	1	SHAFT, DRIVE, Rear Axle, See Figure: 06-10, 450 Series Axle
9	402193A1	1	SHAFT, DRIVE, Rear Axle, See Figure: 06-10, 500 Series Axle
10	87385925	1	BEARING, Support, Pillow Block, See Figure: 06-10
11	86639168	2	BOLT, Hex, M20 x 250, 10.9,
12	86639327	2	WASHER, 22 x 44 x 5 mm
13	9847024	2	NUT, M20, CI 10,
14	406056A1	1	SPACER,

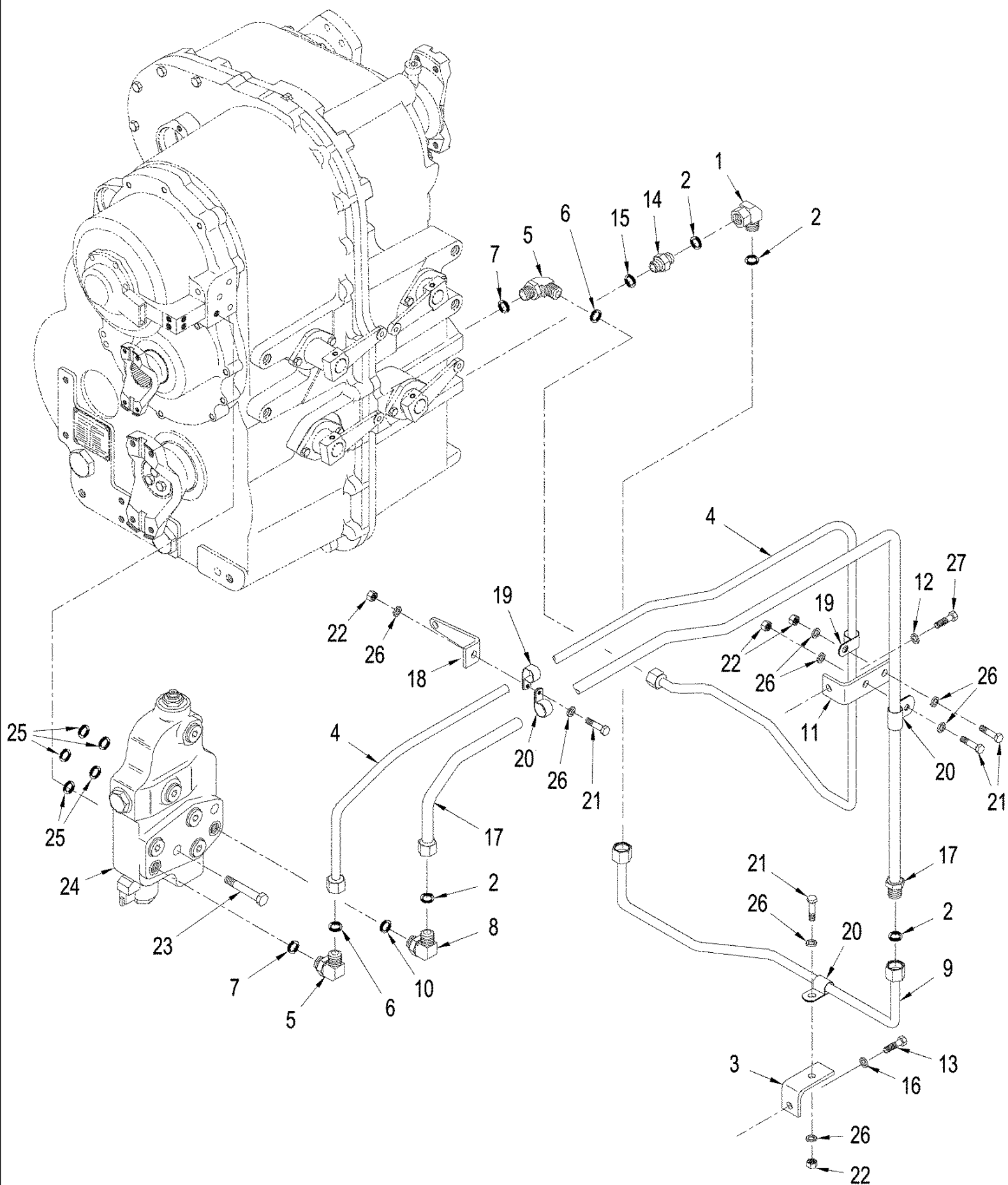
06-10 DRIVE SHAFT



06-10 DRIVE SHAFT

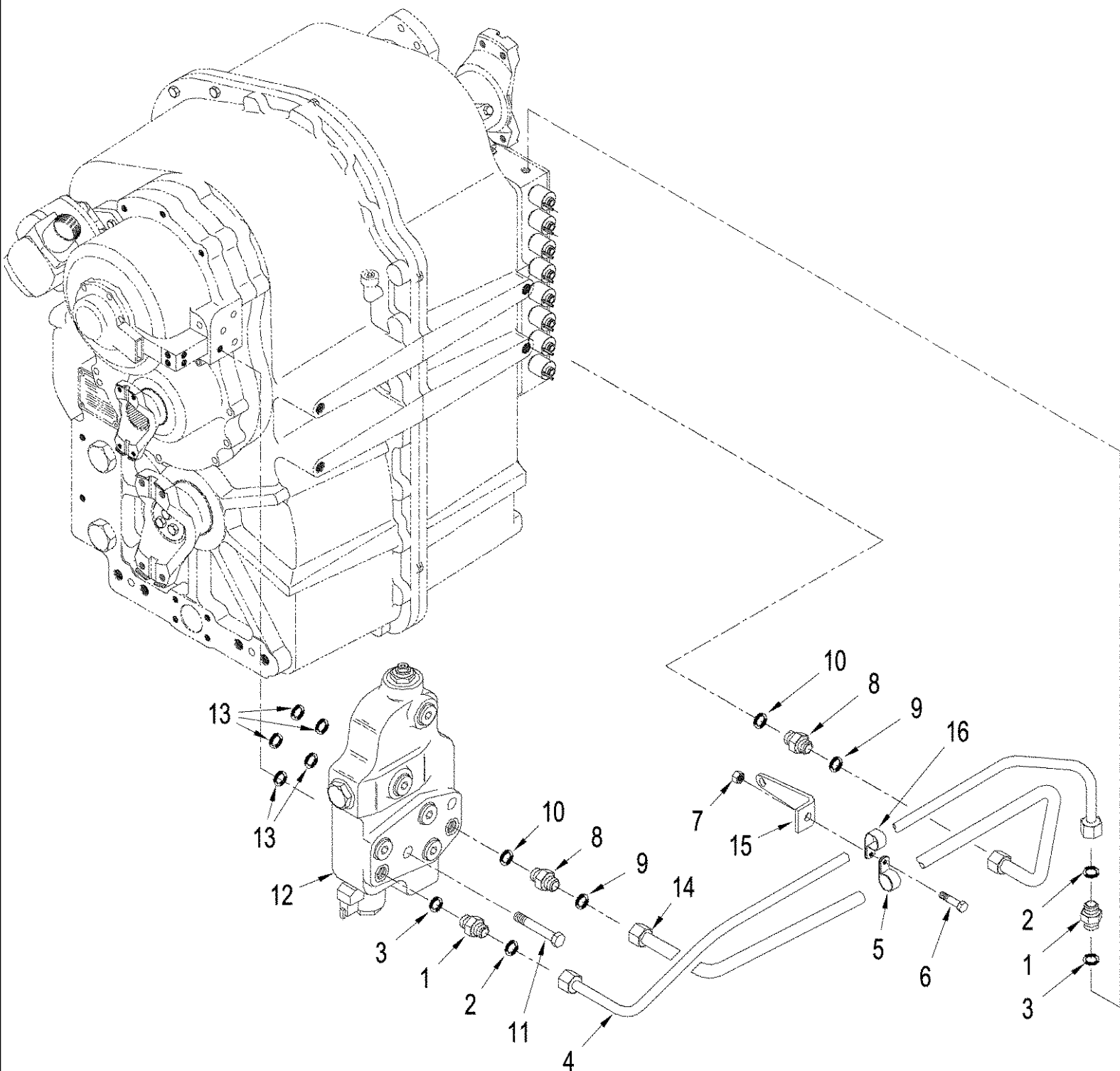
сылка	Номер детали	Кол-во	Описание
1	87440506	1	SHAFT, DRIVE, Input, 8C, Inc. 2 - 6, With Manual Shift Transmission, with 450 Series Axle
1	87440505	1	SHAFT, DRIVE, Input, 8C, Inc. 2 - 6, with 450 Series Axle, With Power Shift Transmission
1	87440503	1	SHAFT, DRIVE, Input, 8,5C, Inc. 2 - 6, With Power Shift Transmission, with 500 Series Axle
1	402189A1	1	SHAFT, DRIVE, Input, 8.5C, Inc. 2 - 6, 500 Series Axle, With Power Shift Transmission, T9060
2	NSS	1	NOT SERVICED SEPARATELY, Shaft, Slip Yoke
3	NSS	1	NOT SERVICED SEPARATELY, Shaft, Flanged
4	337476	4	BOLT, Hex, M12 x 50, 10.9, , with 450 Series Axle
4	43263	4	BOLT, Hex, M12 x 60, 10.9, , with 500 Series Axle
5	404151A1	1	SEAL, Dust
6	86000308	1	KIT, 8C, with 450 Series Axle
6	309093A1	1	SPIDER ASSY., 8,5C, with 500 Series Axle
7	402186A1	1	SHAFT, DRIVE, Front Axle, Inc. 8 - 10, with 450 Series Axle
7	402191A1	1	SHAFT, DRIVE, Front Axle, Inc. 8 - 10, with 500 Series Axle
8	NSS	1	NOT SERVICED SEPARATELY, Shaft
9	337476	8	BOLT, Hex, M12 x 50, 10.9, , with 450 Series Axle
9	43263	8	BOLT, Hex, M12 x 60, 10.9, , with 500 Series Axle
10	431621A1	2	KIT, 8C, with 450 Series Axle
10	309093A1	2	SPIDER ASSY., 8,5C, with 500 Series Axle
11	402187A1	1	SHAFT, DRIVE, Articulation, Inc. 12 - 15, with 450 Series Axle
11	402192A1	1	SHAFT, DRIVE, Articulation, Inc. 12 - 15, with 500 Series Axle
12	NSS	1	NOT SERVICED SEPARATELY, Shaft
13	337476	8	BOLT, Hex, M12 x 50, 10.9, , with 450 Series Axle
13	43263	8	BOLT, Hex, M12 x 60, 10.9, , with 500 Series Axle
14	431621A1	2	KIT, 8C, with 450 Series Axle
14	309093A1	2	SPIDER ASSY., 8,5C, with 500 Series Axle
15	404151A1	1	SEAL,
16	402188A1	1	SHAFT, DRIVE, Rear Axle, Inc. 17 - 18, with 450 Series Axle
16	402193A1	1	SHAFT, DRIVE, Rear Axle, Inc. 17 - 18, with 500 Series Axle
17	NSS	1	NOT SERVICED SEPARATELY, Shaft
18	337476	4	BOLT, Hex, M12 x 50, 10.9, , with 450 Series Axle
18	43263	4	BOLT, Hex, M12 x 60, 10.9, , with 500 Series Axle
19	431621A1	1	KIT, 8C, with 450 Series Axle
19	309093A1	1	SPIDER ASSY., 8,5C, with 500 Series Axle
20	404451A1	1	YOKE, 8C, with 450 Series Axle
20	407633A1	1	YOKE, 8,5C, with 500 Series Axle
21	86637815	1	WASHER, 1 5/16" x 2 1/2" x .150",
22	86637649	1	NUT, LOCK, 1 1/4"-18,
23	87385925	1	BEARING, Support, Pillow Block

06-11 POWER TAKEOFF - CLUTCH LUBRICATION, MANUAL SHIFT TRANSMISSION



06-11 POWER TAKEOFF - CLUTCH LUBRICATION, MANUAL SHIFT TRANSMISSION

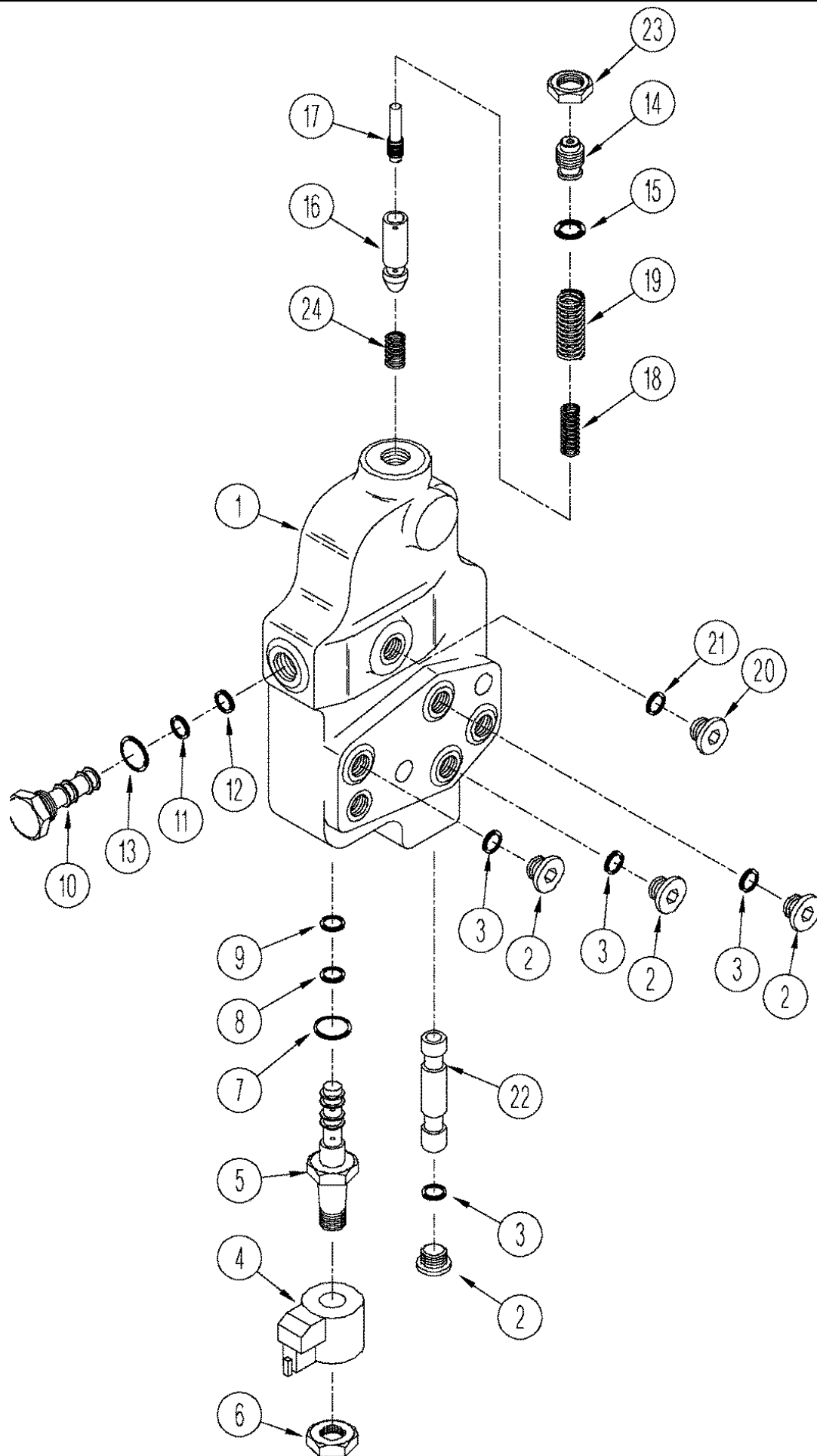
сылка	Номер детали	Кол-во	Описание
1	84989383	1	ELBOW, 90є, 13/16"-16 ORFS x 13/16"-16 Fem Sw, Inc. 2
2	9992298	4	O-RING, -014, 90 Duro, .489" ID x .070" Thk,
3	435901A1	1	BRACKET,
4	435596A1	1	TUBE ASSY.,
5	86579686	2	ELBOW, 90є, 11/16"-18 ORFS x M14 x 1.5 ORB, Inc. 6, 7
6	9993141	1	O-RING, -012, 90 Duro, .364" ID x .070" Thk,
7	86639042	1	O-RING, CI 6, 11.3MM ID x 2.2 Thk,
8	86579691	1	ELBOW, 90є, 13/16"-18 ORFS x M18 x 1.5 ORB, Inc. 2, 10
9	435902A1	1	TUBE ASSY.,
10	86639043	1	O-RING, 15,3 ID x 2,2
11	401365A2	1	BRACKET,
12	86625255	1	WASHER, M13.5 x 24.5 x 3, HT,
13	86529976	1	BOLT, Hex, M16 x 35, 10.9,
14	86579676	1	CONNECTOR, HYD., 13/16"-16 ORFS x M18 x 1.5 ORB, Inc. 2, 15
15	86639045	1	O-RING, CI 6, 23.6MM ID x 2.9 Thk,
16	86642463	1	WASHER, 17.5 x 30 x 3.0 mm
17	435598A1	1	TUBE ASSY.,
18	401398A1	1	BRACKET,
19	9706748	2	CLAMP, 5/8", Insul, 5/16" Bolt,
20	86625036	3	CLAMP, 1/2", Insul, 5/16" Bolt,
21	43235	2	BOLT, Hex, M8 x 30, 10.9,
22	43362	1	NUT, M8, CI 10,
23	355788	2	BOLT, Hex, M10 x 70, 10.9,
24	413944A1	1	VALVE, Control, P.T.O., See Figure: 6-13
25	14457081	5	O-RING, -112, CI 7, .487" ID x .103" Thk,
26	86624184	8	WASHER, M8 x 16 x 1.6,
27	43260	1	BOLT, Hex, M12 x 30, 10.9,



06-12 POWER TAKEOFF - CLUTCH LUBRICATION, POWER SHIFT TRANSMISSION

сылка	Номер детали	Кол-во	Описание
1	86579671	2	CONNECTOR, HYD., 11/16"-16 ORFS x M14 x 1.5 ORB, Inc. 2, 3
3	86639042	1	O-RING, CI 6, 11.3MM ID x 2.2 Thk,
4	87436852	1	TUBE ASSY.,
5	86625036	1	CLAMP, 1/2", Insul, 5/16" Bolt,
6	43233	1	BOLT, Hex, M8 x 20, 10.9,
7	43362	1	NUT, M8, CI 10,
8	86579691	2	ELBOW, 90є, 13/16"-18 ORFS x M18 x 1.5 ORB, Inc. 9, 10
9	9992298	1	O-RING, -014, 90 Duro, .489" ID x .070" Thk,
10	86639043	1	O-RING, 15.3 ID x 2.2 W
11	355788	2	BOLT, Hex, M10 x 70, 10.9,
12	413944A1	1	VALVE, P.T.O., See Figure: 06-13
13	14458081	5	O-RING, -122, CI 7, 1.112" ID x .103" Thk,
14	414550A1	1	TUBE ASSY.,
15	414553A1	1	BRACKET,
16	86637978	1	CLAMP, 3/8", Insul, 5/16" Bolt,
2	9993141	1	O-RING, -012, 90 Duro, .364" ID x .070" Thk,

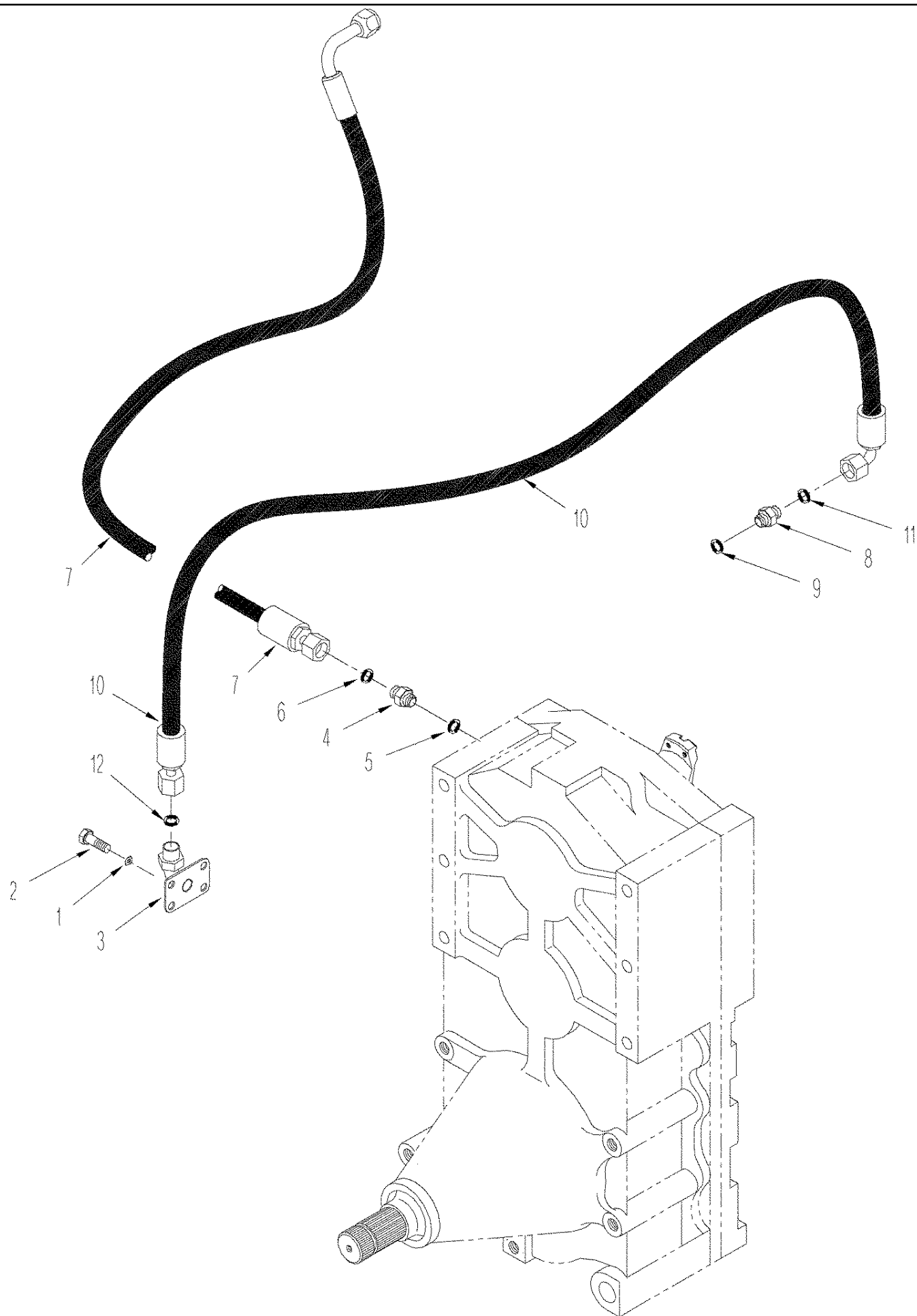
06-13 VALVE ASSY POWER TAKE OFF



06-13 VALVE ASSY POWER TAKE OFF

сылка	Номер детали	Кол-во	Описание
	87697993	1	VALVE, Control, Power Takeoff, Inc. 1 - 24
1	NSS	1	NOT SERVICED SEPARATELY, Body
2	221578A1	4	PLUG, Hex Soc, M18 x 1.5, ORB, Inc. 3
3	86639043	4	O-RING, 15.3 ID x 2.2
	318822A1	1	VALVE, SOLENOID, Solenoid, Inc. 4 - 9
4	NSS	1	NOT SERVICED SEPARATELY, Coil
5	NSS	1	NOT SERVICED SEPARATELY, Valve, Solenoid
6	NSS	1	NOT SERVICED SEPARATELY, Nut
7	128825	1	O-RING, 8-1, 90 Duro, .644" ID x .087" Thk,
8	130282	1	O-RING, -014, 70 Duro, .489" ID x .070" Thk,
9	129270	1	O-RING, 5-1, 90 Duro, .414" ID x .072" Thk,
	315514A1	1	PLUG, Inc. 10 - 13
10	NSS	1	NOT SERVICED SEPARATELY, Plug
11	9992298	1	O-RING, -014, 90 Duro, .489" ID x .070" Thk,
12	272217	1	O-RING, -013, 90 Duro, .426" ID x .070" Thk,
13	128825	1	O-RING, 8-1, 90 Duro, .644" ID x .087" Thk,
	345794A1	1	PLUG, Inc. 14, 15
14	NSS	1	NOT SERVICED SEPARATELY, Plug
15	86639045	1	O-RING, CI 6, 23.6MM ID x 2.9 Thk,
16	87697995	1	SLEEVE,
17	319665A1	1	PISTON,
18	319661A1	1	SPRING, Inner
19	319660A1	1	SPRING, Outer
20	221576A1	1	PLUG, Hex Soc, M14 x 1.5, ORB, Inc. 21
21	86639042	1	O-RING, CI 6, 11.3MM ID x 2.2 Thk,
22	320036A1	1	SPOOL,
23	322118A1	1	NUT, Special
24	319659A1	1	SPRING,

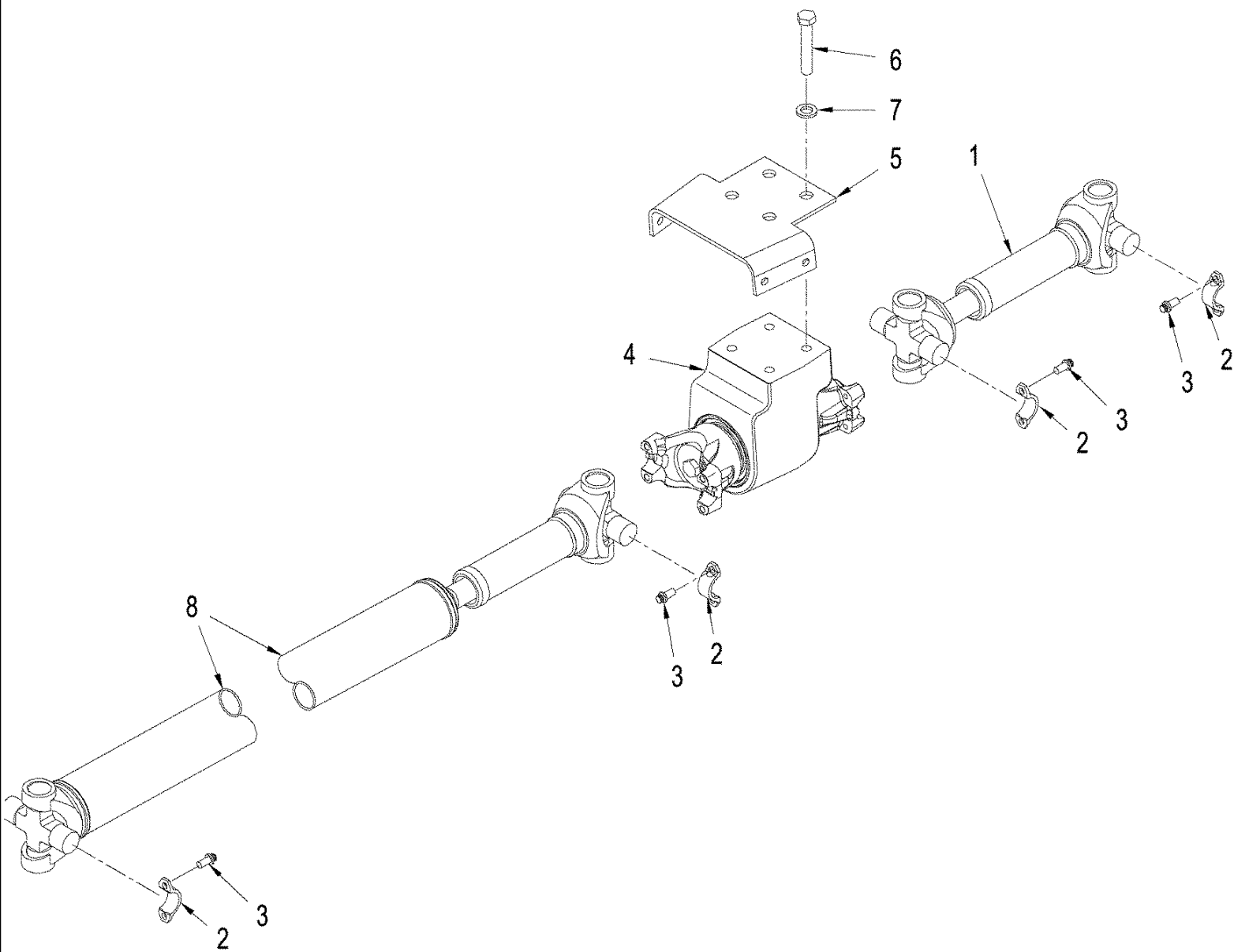
06-14 POWER TAKEOFF - LUBRICATION



T9040 4WD TRACTOR, ASN (8/07-) - Power Train

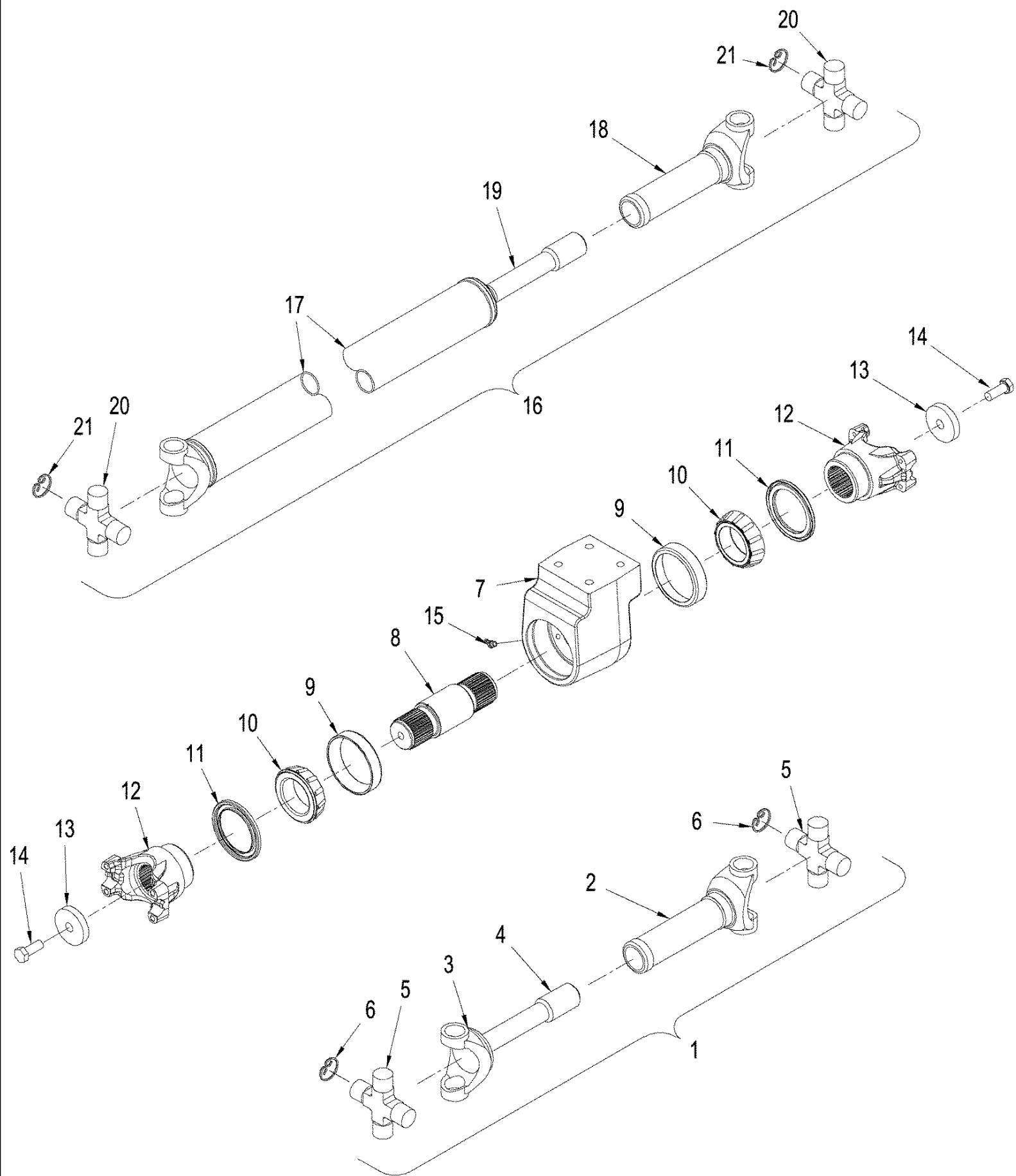
06-14 POWER TAKEOFF - LUBRICATION

сылка	Номер детали	Кол-во	Описание
1	86632602	4	WASHER, LOCK, Ext Tooth, M10,
2	9846677	4	BOLT, Hex, M10 x 25, 10.9, Full Thd,
3	86992408	1	FITTING, Flange
4	86579676	3	CONNECTOR, HYD., 13/16"-16 ORFS x M18 x 1.5 ORB, Inc. 14, 15
5	86639043	1	O-RING, 15,3 ID x 2,2
6	9992298	1	O-RING, -014, 90 Duro, .489" ID x .070" Thk,
7	86994526	1	HOSE ASSY., 1270 mm (50 in)
8	86579680	1	CONNECTOR, HYD., 1"-14 ORFS x M22 x 1.5 ORB, Inc. 9, 11
9	86642449	1	O-RING, CI 6, 13.3MM ID x 2.2 Thk,
10	86994525	1	HOSE ASSY., 3251 mm (128 in), Rear Axle to PTO, 450 Series Axle
10	87400234	1	HOSE ASSY., 1803 mm (71 in), Rear Axle PTO, 500 Series Axle
11	9992069	2	O-RING, -016, 90 Duro, .614" ID x .070" Thk,
12	9992298	1	O-RING, -014, 90 Duro, .489" ID x .070" Thk,



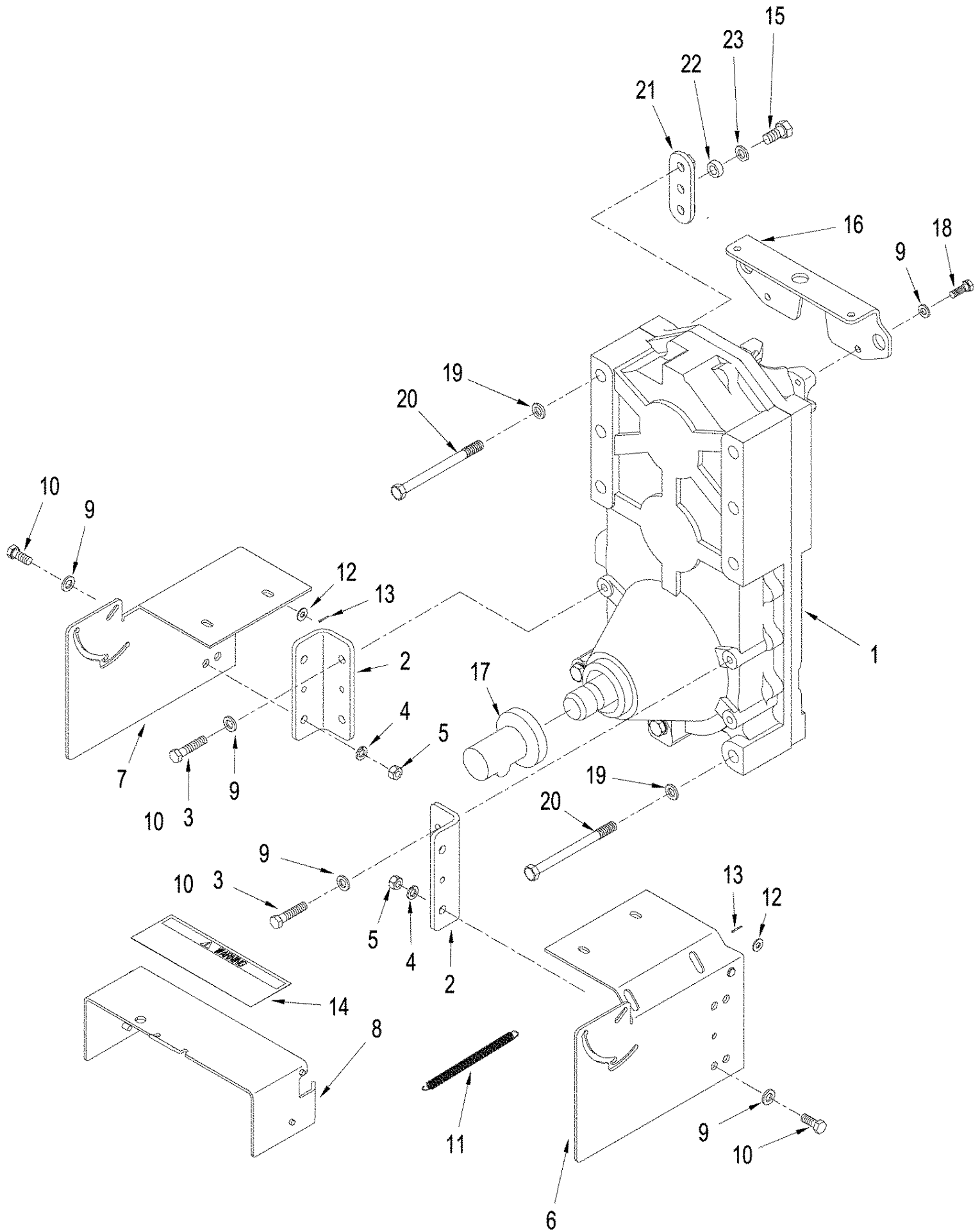
06-15 POWER TAKEOFF - DRIVE SHAFT MOUNTING

сылка	Номер детали	Кол-во	Описание
1	404798A1	1	SHAFT, Articulation, See Figure: 06-16
2	L116943	8	SPIDER, U-JOINT,
3	86639301	16	SCREW, 12 Pt Hd, M10 x 20, 12.9,
4	NSS	1	NOT SERVICED SEPARATELY, Bearing Assy, Hanger, See Figure: 06-16
5	404604A1	1	BRACKET, Mounting, Hanger Bearing
6	86577946	4	BOLT, Hex, M16 x 80, 10.9, , with 450 Series Axle
6	86521733	4	BOLT, Hex, M16 x 90, 10.9, , with 500 Series Axle
7	86625266	4	WASHER, M17.5 x 30 x 4, HT,
8	404799A1	1	SHAFT, DRIVE, Rear, See Figure: 06-16



06-16 POWER TAKEOFF - DRIVE SHAFT ASSEMBLIES

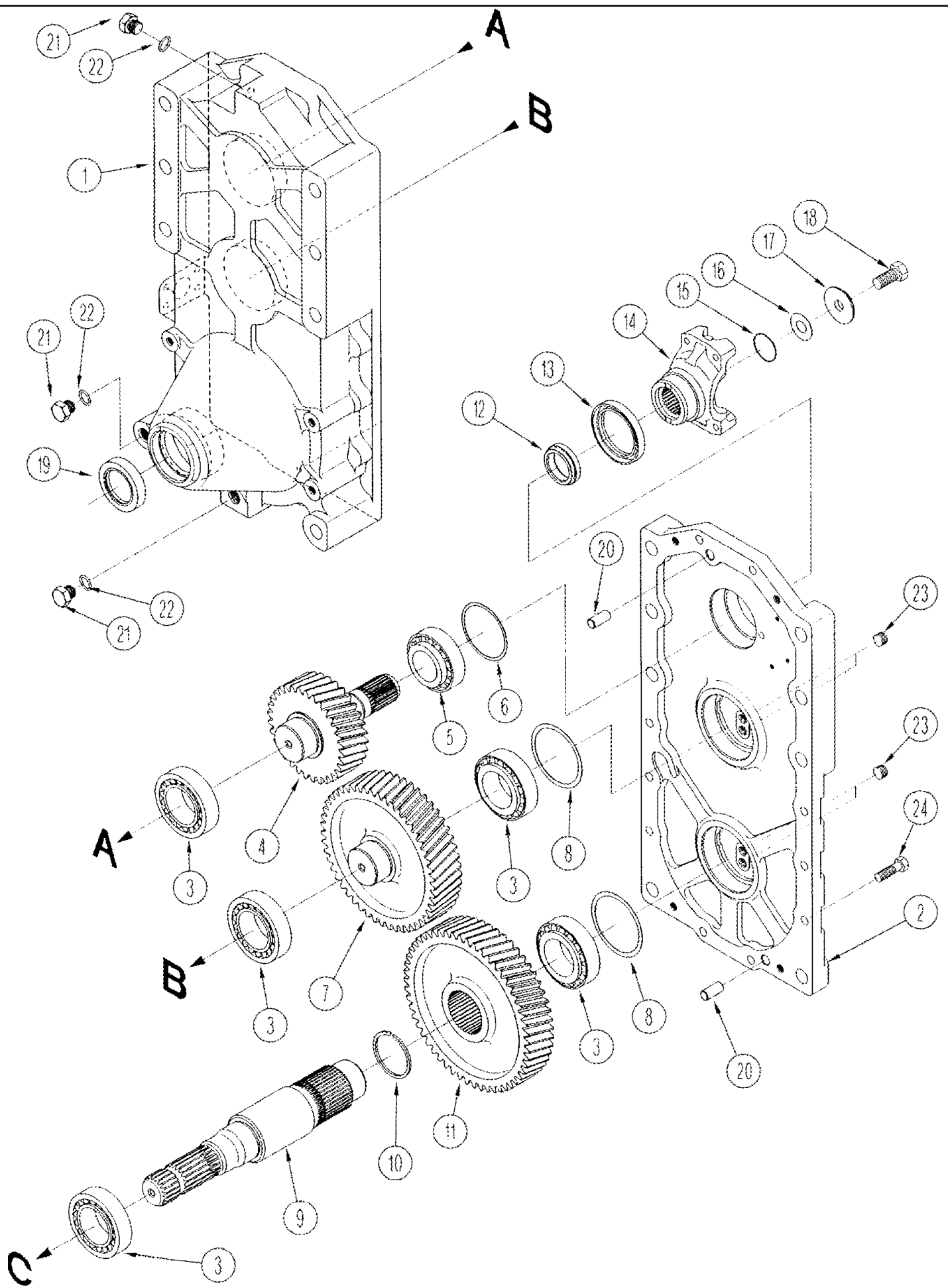
сылка	Номер детали	Кол-во	Описание
1	404798A1	1	SHAFT, Articulation, Inc. 2 - 6
2	NSS	1	NOT SERVICED SEPARATELY, Yoke, Slip
3	NSS	1	NOT SERVICED SEPARATELY, Shaft
4	443088A1	1	RETAINER, SEAL,
5	S300313	2	SPIDER ASSY., Inc. 6
6	S92378	4	SNAP RING, Retaining
7	399447A1	1	HOUSING, BEARING, Hanger
8	399446A1	1	SHAFT,
9	435535A1	2	BEARING, CUP,
10	435536A1	2	BEARING, CONE,
11	435537A1	2	SEAL,
12	398554A1	2	YOKE,
13	435427A1	2	WASHER, 5/8 x 2-3/4 x 1/2
14	374835	2	BOLT, Hex, M16 x 40, 10.9,
15	80717	1	NIPPLE, LUBE, 45c, 1/8" NPT x 7/8" lg,
16	404799A1	1	SHAFT, DRIVE, Rear, Inc. 17 - 21
17	NSS	1	NOT SERVICED SEPARATELY, Shaft
18	NSS	1	NOT SERVICED SEPARATELY, Yoke, Slip
19	443088A1	1	RETAINER, SEAL,
20	S300313	2	SPIDER ASSY., Inc. 21
21	S92378	4	SNAP RING, Retaining



06-17 POWER TAKEOFF - SAFETY SHEILDS

сылка	Номер детали	Кол-во	Описание
1	403073A1	1	GEARBOX ASSY, Transfer, See Figure: 06-18
2	405394A1	2	BRACE, Mounting, PTO Safety Shields
3	827-12055	4	BOLT, Hex, M12 x 55, 10.9, , With Three Point Hitch
4	412123	4	WASHER, M12,
5	337475	4	NUT, M12, CI 10,
6	405396A1	1	COVER, PTO Safety, RH
7	405395A1	1	COVER, PTO Safety, LH
8	405397A1	1	SHIELD, Flip-up
9	86625255	10	WASHER, M13.5 x 24.5 x 3, HT,
10	43260	6	BOLT, Hex, M12 x 30, 10.9, , With Three Point Hitch
10	43260	10	BOLT, Hex, M12 x 30, 10.9, , Without Three Point Hitch
11	365853A1	2	SPRING,
12	86625263	2	WASHER, M8 x 20 x 1.6,
13	86639115	2	PIN, SPLIT (COTTER), M2 x 12,
14	327567A3	1	DECAL, PTO Safety Sheild, See Figure: 09-57
15	86639032	2	BOLT, Hex, M16 x 25, 10.9, Full Thd,
16	405398A1	1	BRACKET, Optional PTO, If Used
17	383716A1	1	SHIELD, PTO Shaft
18	9515003	2	BOLT, Hex, M10 x 30, 10.9, Full Thd,
19	86625260	4	WASHER, M20 x 37.5 x 4, HT,
20	827-20230	4	BOLT, Hex, M20 x 230, 10.9,
21	259389A1	2	PLATE, Mounting, PTO
22	435501A1	2	SPACER,
23	86625266	2	WASHER, M17.5 x 30 x 4, HT,

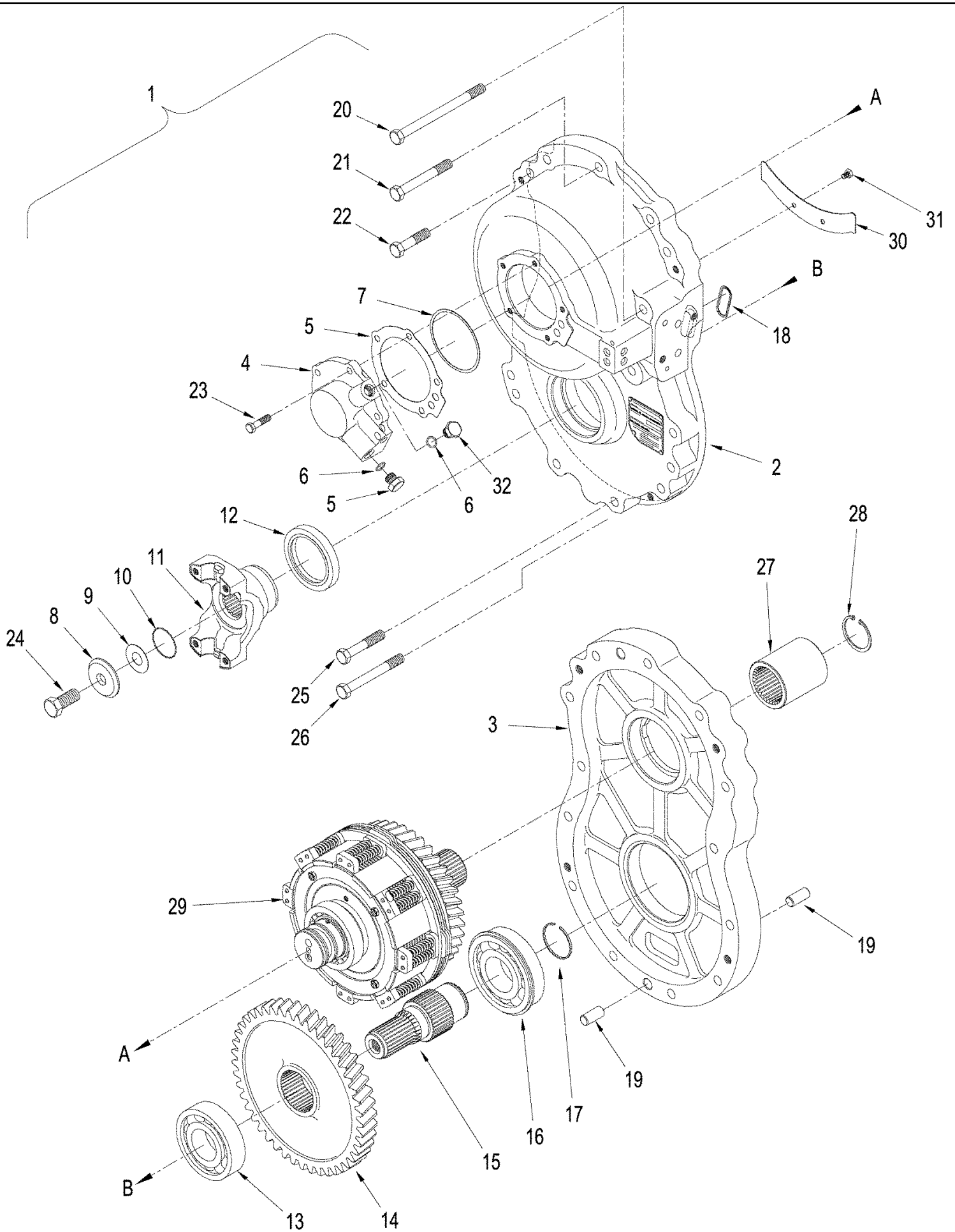
06-18 POWER TAKEOFF TRANSFER CASE ASSEMBLY



06-18 POWER TAKEOFF TRANSFER CASE ASSEMBLY

сылка	Номер детали	Кол-во	Описание
	403073A1	1	GEARBOX ASSY, Transfer, Inc. 1 - 24
1	375500A1	1	HOUSING, Rear
2	375501A1	1	HOUSING, Front
3	428183A1	5	BEARING,
4	375502A1	1	GEAR, Input
5	375503A1	1	BEARING,
6	375504A1	AR	SHIM,
6	375505A1	AR	SHIM,
6	375506A1	AR	SHIM,
6	375507A1	AR	SHIM,
7	375508A1	1	GEAR, Idler
8	428665A1	AR	SHIM, 0,10 mm (0,004 in)
8	428666A1	AR	SHIM, 0,30 mm (0,012 in)
8	428667A1	AR	SHIM, 0,50 mm (0,020 in)
8	428668A1	AR	SHIM, 0,70 mm (0,027 in)
8	428669A1	AR	SHIM, 0,15 mm (0,006 in)
9	375509A1	1	SHAFT, Output
10	S2240S00F	1	SNAP RING, Retaining
11	375510A1	1	GEAR, Output
12	375511A1	1	SPACER,
13	S8820S00F	1	SEAL, OIL,
14	398447A1	1	YOKE,
15	375512A1	1	O-RING,
16	S9950S00F	AR	SHIM, 0,10 mm (0,004 in)
16	S9960S00F	AR	SHIM, 0,30 mm (0,012 in)
16	S9970S00F	AR	SHIM, 0,51 mm (0,020 in)
16	S9980S00F	AR	SHIM, 0,71 mm (0,027 in)
17	S8860S00F	1	WASHER, THRUST,
18	86637960	1	BOLT, Hex, M16 x 1.5 x 35, 10.9, Full Thd,
19	375514A1	1	SEAL, OIL,
20	427530A1	2	DOWEL,
21	86589753	3	PLUG, M18 x 15, Inc. 22
22	86639043	3	O-RING, 15.3 ID x 2.2
23	375515A1	4	PLUG,
24	86637969	10	BOLT, Hex, M12 x 1.25 x 25, 8.8, Full Thd,

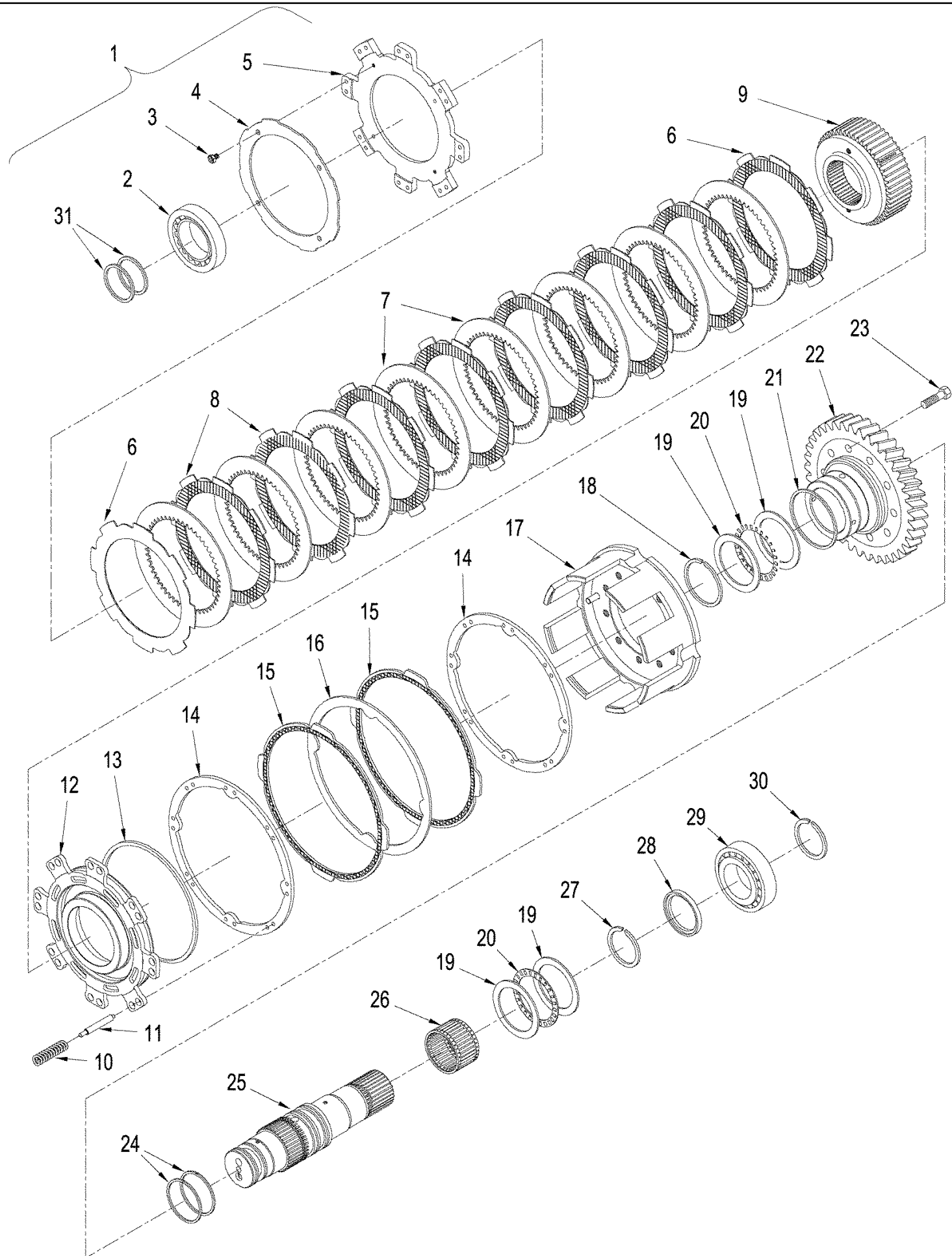
06-19 POWER TAKEOFF CLUTCH ASSEMBLY



06-19 POWER TAKEOFF CLUTCH ASSEMBLY

сылка	Номер детали	Кол-во	Описание
1	87601931	1	CLUTCH, PTO, Assy., Inc. 2 - 32
2	375550A1	1	HOUSING, Front Cover
3	87601932	1	HOUSING, Rear Cover
4	375552A1	1	HOUSING,
5	375553A1	1	GASKET, Housing
6	86639042	9	O-RING, CI 6, 11.3MM ID x 2.2 Thk,
7	S9910S00F	AR	SHIM, 0,10 mm (0,004 in)
7	S9920S00F	AR	SHIM, 0,30 mm (0,012 in)
7	S9930S00F	AR	SHIM, 0,50 mm (0,020 in)
7	S9940S00F	AR	SHIM, 0,70 mm (0,027 in)
8	S8860S00F	1	WASHER, THRUST,
9	S9950S00F	AR	SHIM, 0,10 mm (0,004 in)
9	S9960S00F	AR	SHIM, 0,30 mm (0,012 in)
9	S9970S00F	AR	SHIM, 0,51 mm (0,020 in)
9	S9980S00F	AR	SHIM, 0,71 mm (0,027 in)
10	375512A1	1	O-RING,
11	398447A1	1	YOKE,
12	S8820S00F	1	SEAL, OIL,
13	ST293	1	BEARING ASSY,
14	375554A1	1	GEAR, Driven
15	375555A1	1	SHAFT, Output
16	375559A1	1	BEARING, BALL, Roller
17	375560A1	1	SNAP RING,
18	375556A1	1	GASKET, Cover
19	427530A1	4	DOWEL,
20	SM8124208	2	BOLT,
21	86642436	4	SCREW, M12 x 1,5; 8.8
22	86642440	2	BOLT, M12 x 1,25; 8.8
23	43128	5	BOLT, Hex, M8 x 30, 8.8,
24	86637960	1	BOLT, Hex, M16 x 1.5 x 35, 10.9, Full Thd,
25	86642437	2	BOLT, M12 x 1,25; 8.8
26	86642439	7	BOLT, M12 x 1,25; 8.8
27	428660A1	1	SLEEVE, , Used on Power Shift Models
28	300647	1	RING, SNAP, M47, Int, , Used on Power Shift Models
29	NSS	1	NOT SERVICED SEPARATELY, 7, Input, See Figure: 06-20
30	376972A1	1	TROUGH,
31	86977726	2	BOLT, Hex, M6 x 12, 8.8,
32	220064A1	9	PLUG, M14 x 1.5, ORB, Inc. 6

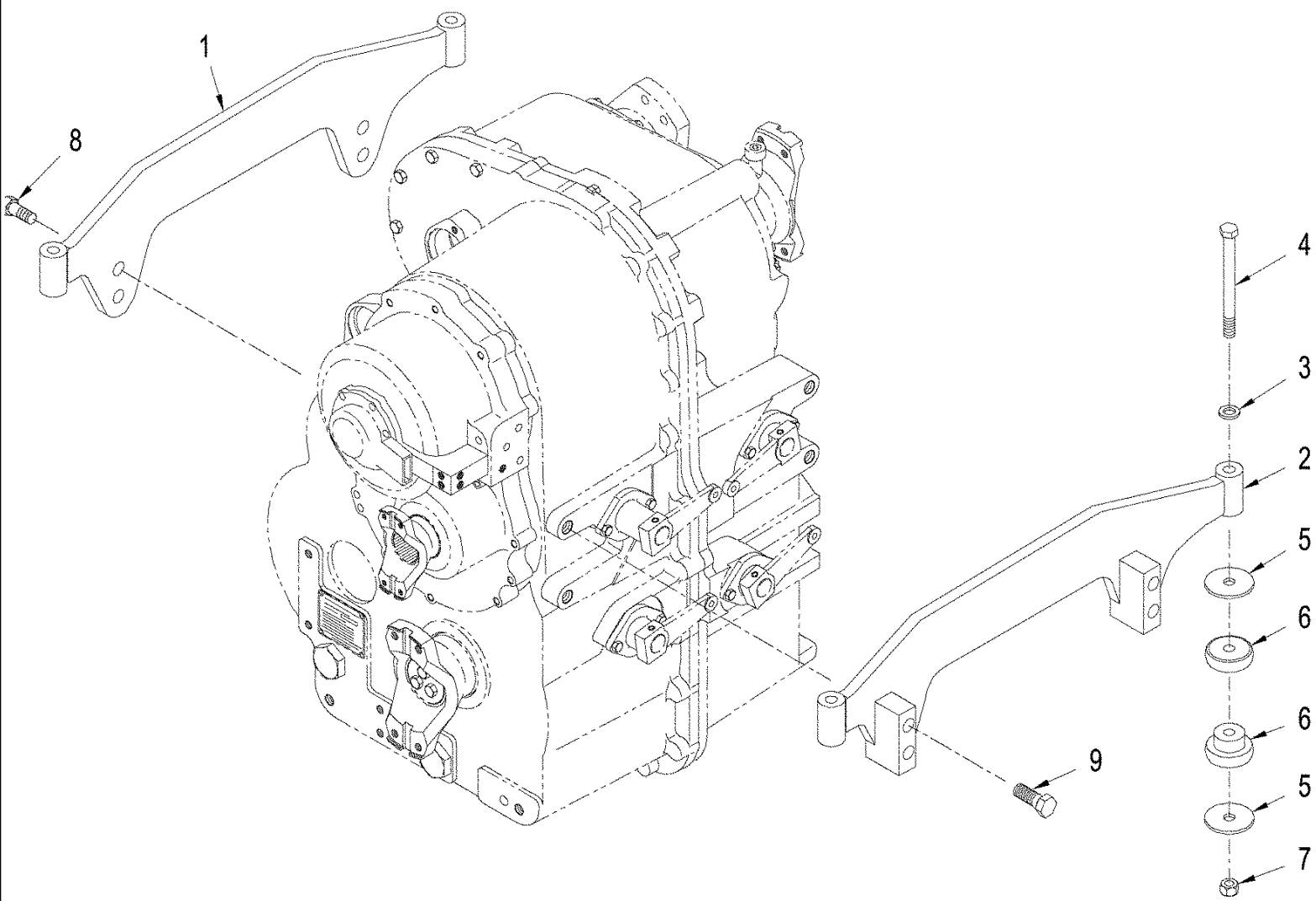
06-20 POWER TAKEOFF INPUT SHAFT ASSEMBLY



T9040 4WD TRACTOR, ASN (8/07-) - Power Train

06-20 POWER TAKEOFF INPUT SHAFT ASSEMBLY

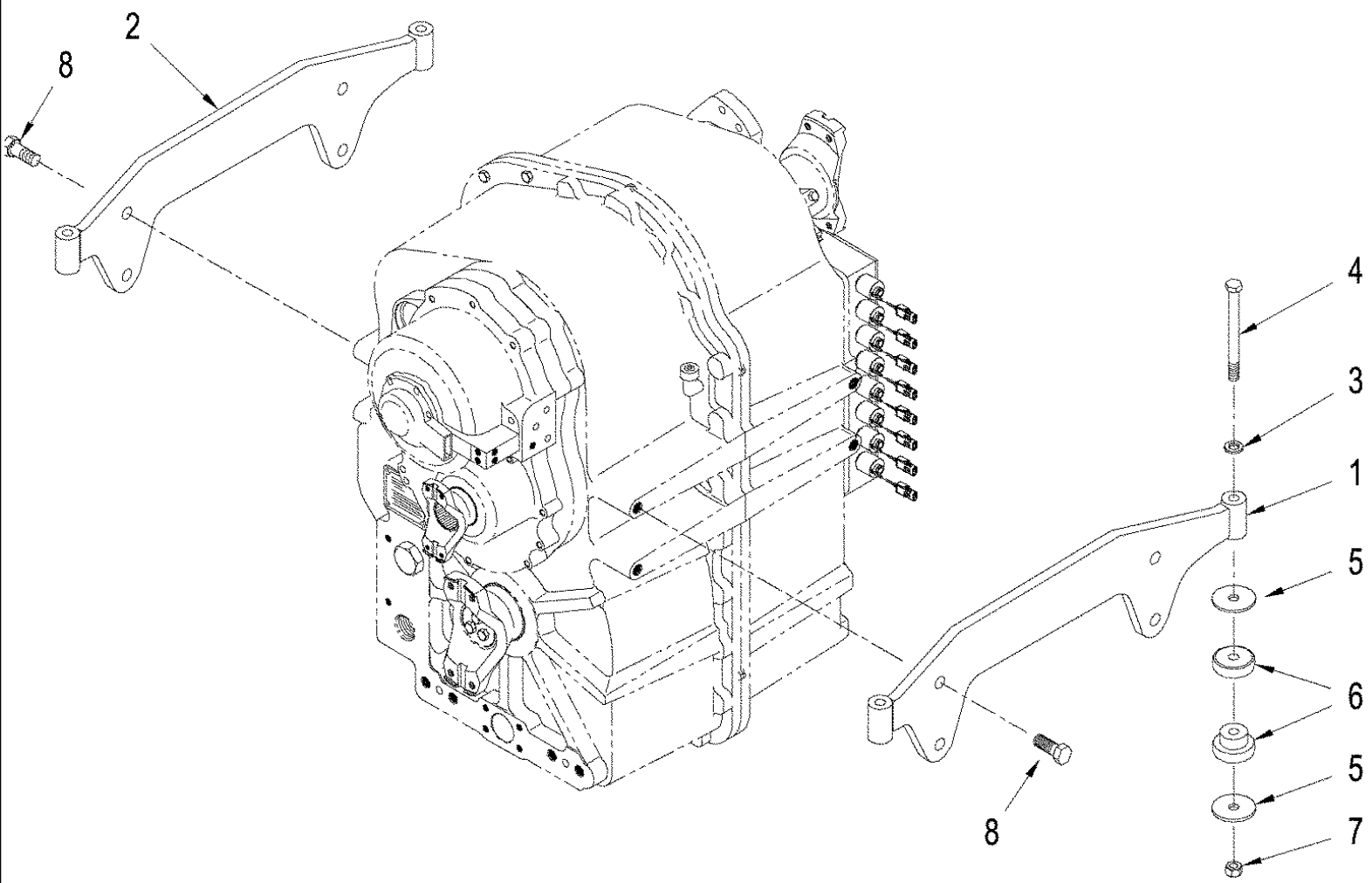
сылка	Номер детали	Кол-во	Описание
1	87601933	1	SHAFT, PTO, Assy., Input
2	S8730S00F	1	BEARING, ROLLER,
3	375523A1	4	BOLT,
4	375525A1	1	PLATE,
5	375527A1	1	PLATE,
6	375528A1	2	DISC, CLUTCH, Face, 7
7	S2080S00F	8	DISC, CLUTCH, 2,4 mm
8	375529A1	7	DISC, CLUTCH, Face, 7
9	375530A1	1	HUB,
10	375531A1	16	SPRING, COIL, Brake Return
11	375532A1	16	PIN,
12	375533A1	1	PISTON,
13	352834A1	1	RING, Seal
14	375534A1	2	PLATE, BRAKE, Steel Brake
15	375535A1	2	PLATE, BRAKE, Brake Face
16	375536A1	1	PLATE, BRAKE, Steel Brake
17	375538A1	1	DRUM,
18	S2240S00F	1	SNAP RING, Retaining
19	S2220S00F	4	WASHER, THRUST, 2,4 mm
20	572182R1	2	BEARING, THRUST,
21	S5510S00F	1	RING,
22	375540A1	1	PINION,
23	86637966	10	BOLT, Hex, M10 x 1.25 x 35, 8.8, Full Thd,
24	375541A1	2	RETAINER, SEAL, Seal
25	87601935	1	SHAFT, PTO, Input
26	375543A1	1	BEARING,
27	375544A1	1	RING, SNAP, Retaining
28	375545A1	1	WASHER,
29	375546A1	1	BEARING, CUP,
29	186621A1	1	BEARING, CONE,
30	375547A1	AR	RING, SNAP, Retaining
30	375548A1	AR	RING, SNAP, Retaining
30	375544A1	AR	RING, SNAP, Retaining
31	S3070S00F	2	RING, Seal



T9040 4WD TRACTOR, ASN (8/07-) - Power Train

06-21 TRANSMISSION MOUNTING - MANUAL SHIFT

сылка	Номер детали	Кол-во	Описание
1	388851A1	2	PLATE, Mounting, LH
2	397581A1	1	PLATE, Mounting, RH
3	86639318	4	WASHER, 24 x 44 x 4 mm
4	86642453	4	BOLT, M22 x 190; 10.9
5	76088717	8	WASHER,
6	340967A1	4	MOUNT, RUBBER,
7	86642454	4	NUT, Lock, M22; 8
8	9843495	8	SCREW, Hex, M20 x 60, 10.9,
9	86511674	4	BOLT, Hex, M20 x 120, 10.9,

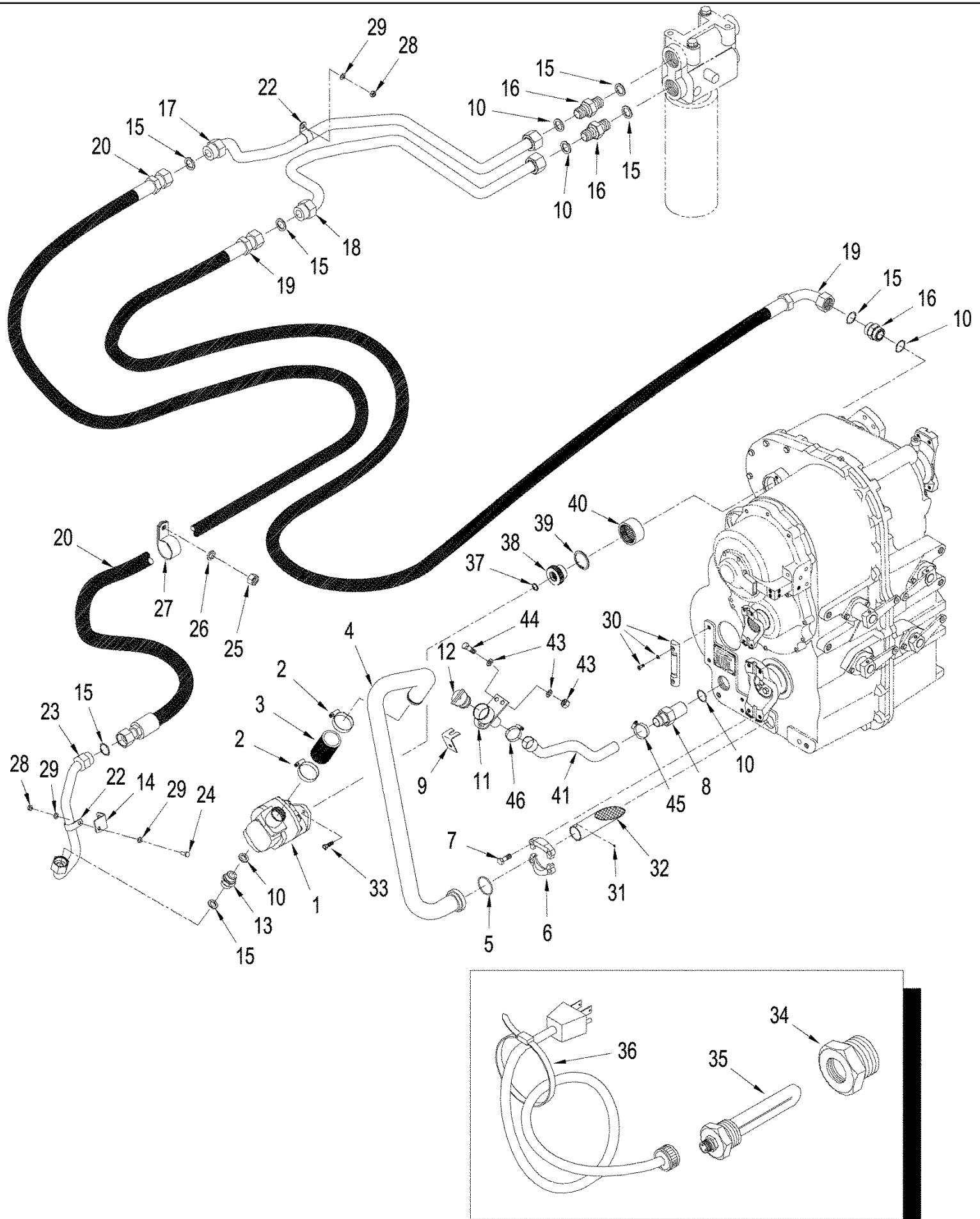


T9040 4WD TRACTOR, ASN (8/07-) - Power Train

06-22 TRANSMISSION MOUNTING - POWER SHIFT

сылка	Номер детали	Кол-во	Описание
1	408706A1	1	PLATE, Transmissoin Mounting, LH
2	87335427	1	PLATE, MOUNTING, Transmission, RH
3	86639318	4	WASHER, 24 x 44 x 4 mm
4	86642453	4	BOLT, M22 x 190; 10.9
5	76088717	8	WASHER,
6	340967A1	4	MOUNT, RUBBER,
7	86642454	4	NUT, M22; 10
8	9843495	1	SCREW, Hex, M20 x 60, 10.9,

06-23 TRANSMISSION LUBRICATION, WITH MANUAL SHIFT TRANSMISSION



06-23 TRANSMISSION LUBRICATION, WITH MANUAL SHIFT TRANSMISSION

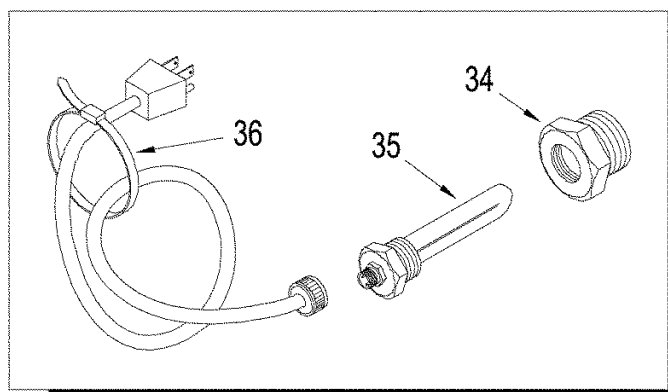
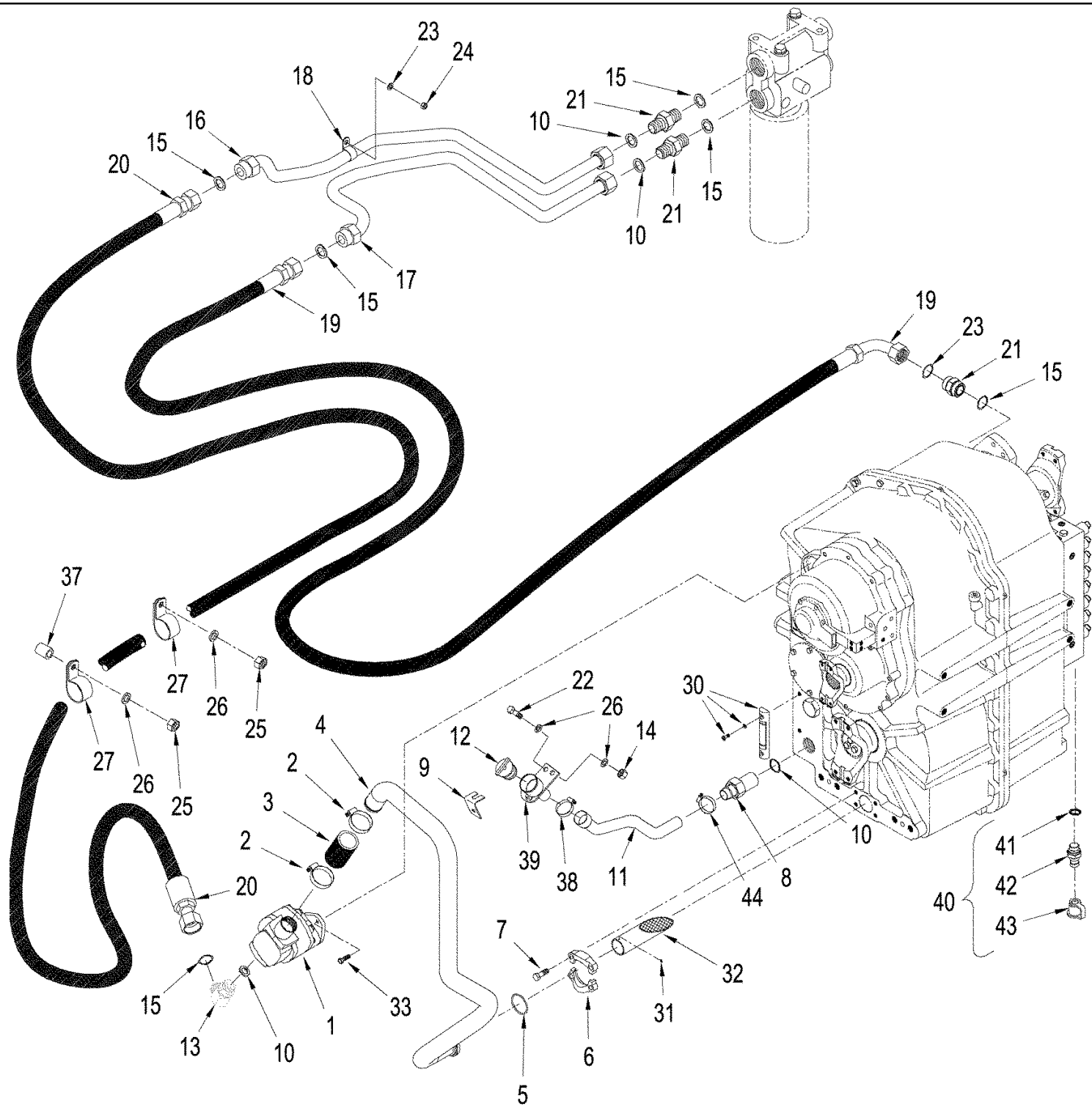
сылка	Номер детали	Кол-во	Описание
1	370546A1	1	PUMP, Oil
2	86637709	2	CLAMP, HOSE, 1.25/2.625 HD Worm,
3	427140A1	1	HOSE, Transmission to Oil Pump
4	418735A1	1	TUBE ASSY., Transmissoin to Oil Pump
5	86637769	1	O-RING, -228, 90 Duro, 2.234" ID x .139" Thk,
6	A14141	2	FLANGE,
7	9824642	4	BOLT, Hex, M12 x 35, 10.9,
8	87340823	1	CONNECTOR, HYD., Inc. 10
9	87646822	1	BRACKET, Retainer, Fill Cap Lock
10	637-64386	4	O-RING, CI 6, 38.6MM ID x 2.9 Thk,
11	87646809	1	TUBE, Transmission Fill
12	325737A1	1	CAP, Transmission Fill
13	700-105	1	CONNECTOR, HYD., 1 7/16"-12 ORFS x M22 x 2 ORB, Inc. 10, 15
14	416102A1	1	SUPPORT, Bracket
15	238-6021	5	O-RING, -021, 90 Duro, .926" ID x .070" Thk,
16	86580179	1	CONNECTOR, HYD., 1 7/16"-12 ORFS x M22 x 2 ORB, Inc. 10, 15
17	87305825	1	TUBE ASSY., Transmission Pump to Filter
18	87338377	1	TUBE, HYD, Filter to Transmission Return
19	87305990	1	HOSE ASSY., 851 mm (33 - 1/2 in), Supply, Filter to Transmission
20	87305991	1	HOSE ASSY., 866 mm (34 in), Outlet, Oil Pump to Filter
21	86580179	1	CONNECTOR, HYD., 1 7/16"-12 ORFS x M22 x 2 ORB, Inc. 10, 15
22	9827902	4	CLAMP, 1", Insul, 3/8" Bolt,
23	438240A1	1	TUBE ASSY., Oil Pump to Filter
24	43233	2	BOLT, Hex, M8 x 20, 10.9,
25	86500689	2	NUT, M10, CI 10,
26	86624176	2	WASHER, M10 x 20 x 2,
27	86639002	1	CLAMP, 1 3/8", Insul, 7/16" Bolt,
28	43362	4	NUT, M8, CI 10,
29	86624184	6	WASHER, M8 x 16 x 1.6,
30	L116247	1	GAUGE, Sight, Inc. Hardware
31	S14701960	1	BALL,
32	370551A1	1	TUBE ASSY.,
33	412160	2	BOLT, Hex, M10 x 1.25 x 30, CI8.8, Full Thd,
	186135A1	1	KIT, Transmission Heater, Inc. 34 - 36
34	367930A1	1	ADAPTER,
35	385486A1	1	HEATER ASSY., 120 V, with Cord Set
35	387062A1	1	HEATER UNIT, 240 V, with Cord Set
36	435437A1	5	STRAP, CABLE, 3/16" x 7 1/4", 7"
37	427516A1	1	SNAP RING,
38	427523A1	1	ADAPTER,
39	86639140	1	RING, SNAP, M50 Int,
40	427521A1	1	COUPLING,
41	87597484	1	HOSE, Transmission Fill
42	86624176	4	WASHER, M10 x 20 x 2,
43	412141	2	NUT, LOCK, M10 x 1.5, CI 8,

T9040 4WD TRACTOR, ASN (8/07-) - Power Train

06-23 TRANSMISSION LUBRICATION, WITH MANUAL SHIFT TRANSMISSION

сылка	Номер детали	Кол-во	Описание
44	86508618	2	BOLT, Hex, M10 x 45, 10.9,
45	507586	1	CLAMP, HOSE, #20, 0.81/1.75 Type F Worm,
46	84674	1	CLAMP, HOSE, #28, 1.31/2.25 Type F Worm,

06-24 TRANSMISSION LUBRICATION, WITH POWER SHIFT TRANSMISSION



06-24 TRANSMISSION LUBRICATION, WITH POWER SHIFT TRANSMISSION

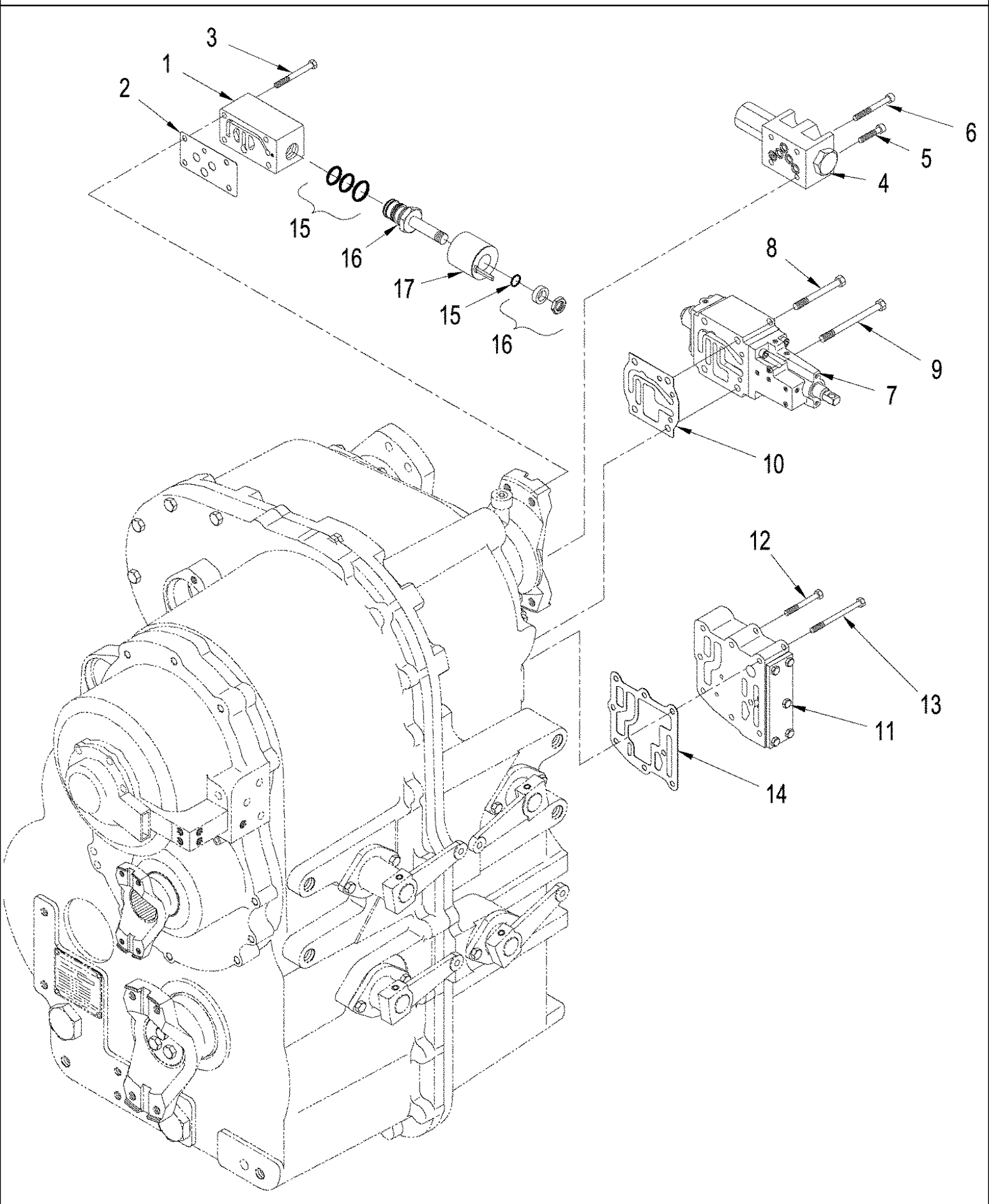
сылка	Номер детали	Кол-во	Описание
1	370546A1	1	PUMP, Oil
2	86637709	2	CLAMP, HOSE, 1.25/2.625 HD Worm,
3	435454A1	1	HOSE, 102 mm (4 in), Transmissoin to Oil Pump
4	408581A1	1	TUBE, Transmission to Oil Pump
5	86637769	1	O-RING, -228, 90 Duro, 2.234" ID x .139" Thk,
6	A14141	2	FLANGE,
7	9824642	4	BOLT, Hex, M12 x 35, 10.9,
8	87340823	1	CONNECTOR, HYD., Inc. 10
9	87646822	1	BRACKET, Retainer, Fill Cap Lock
10	637-64386	3	O-RING, CI 6, 38.6MM ID x 2.9 Thk,
11	87597484	1	HOSE, Transmission Fill
12	325737A1	1	CAP, Transmission Fill
13	86580180	1	ELBOW, 90e, 1 7/16"-12 ORFS x M33 x 2 ORB, Inc. 10, 15
14	412141	2	NUT, LOCK, M10 x 1.5, CI 8,
15	9824050	4	O-RING, -021, 90 Duro, .926" ID x .070" Thk,
16	87305825	1	TUBE ASSY., Transmission Pump to Filter, Return
17	87338377	1	TUBE, HYD, Filter to Transmission, Supply
18	9827902	3	CLAMP, 1", Insul, 3/8" Bolt,
19	87305833	1	HOSE ASSY., 775 mm (30-1/2 in), Supply, Filter to Transmission
20	87305831	1	HOSE ASSY., 1399 mm (55 in), Outlet ,Oil Pump to Transmission
21	86580179	3	CONNECTOR, HYD., 1 7/16"-12 ORFS x M22 x 2 ORB, Inc. 22, 23
22	627-10035	2	BOLT, Hex, M10 x 35, 10.9, Full Thd,
23	86624184	4	WASHER, M8 x 16 x 1.6,
24	43362	3	NUT, M8, CI 10,
25	86500689	2	NUT, M10, CI 10,
26	86624184	4	WASHER, M8 x 16 x 1.6,
27	515-24317	8	CLAMP, 1 1/4", Insul, 7/16" Bolt,
28	43362	2	NUT, M8, CI 10,
29	86624184	3	WASHER, M8 x 16 x 1.6,
30	L116247	1	GAUGE, Sight, Inc. Hardware
31	S14701960	1	BALL,
32	370551A1	1	TUBE ASSY.,
33	412160	2	BOLT, Hex, M10 x 1.25 x 30, CI8.8, Full Thd,
	186135A1	1	KIT, Transmission Heater, Inc. 34 - 36
34	367930A1	1	ADAPTER,
35	385486A1	1	HEATER ASSY., 120 V, with Cord Set
35	387062A1	1	HEATER UNIT, 240 V, with Cord Set
36	435437A1	5	STRAP, CABLE, 3/16" x 7 1/4", 7"
37	432444A1	1	SPACER,
38	84674	1	CLAMP, HOSE, #28, 1.31/2.25 Type F Worm,
39	87646809	1	TUBE, Transmission Fill
40	178889A1	1	FITTING, Diagnostic, Inc. 41 - 43
41	86639042	1	O-RING, CI 6, 11.3MM ID x 2.2 Thk,
42	NSS	1	NOT SERVICED SEPARATELY, Fitting, Diagnostic
43	86502604	1	DUST CAP,

T9040 4WD TRACTOR, ASN (8/07-) - Power Train

06-24 TRANSMISSION LUBRICATION, WITH POWER SHIFT TRANSMISSION

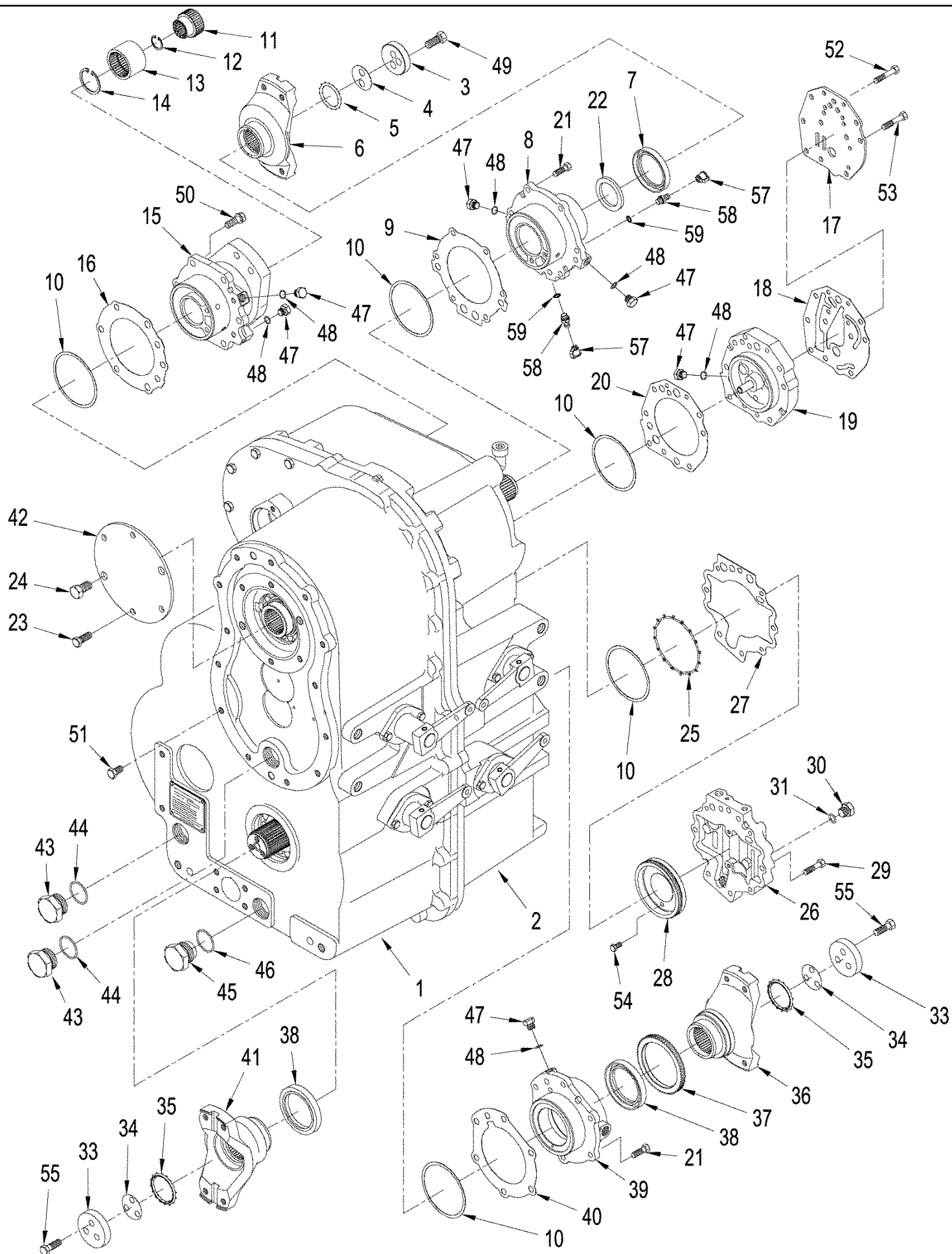
сылка	Номер детали	Кол-во	Описание
-------	--------------	--------	----------

44	214-1420	1	CLAMP, HOSE, #20, 0.81/1.75 Type F Worm,
----	----------	---	--



06-25 MANUAL SHIFT TRANSMISSION - VALVE ASSEMBLY MOUNTING

сылка	Номер детали	Кол-во	Описание
1	428114A1	1	VALVE, High / Low
2	428123A1	1	GASKET, Mounting
3	331175	4	BOLT, Hex, M8 x 75, 8.8,
4	428091A1	1	VALVE, Control, Lockout, See Figure: 06-38
5	427594A1	2	SCREW, Socket
6	427593A1	2	SCREW, Socket
7	428083A1	1	VALVE, See Figure: 06-37
8	86637965	2	BOLT, Hex, M10 x 90, 8.8,
9	86637968	2	BOLT, Hex, M10 x 1.25 x 120, 8.8,
10	427581A1	1	GASKET, Mounting
11	428096A1	1	VALVE, Regulator, See Figure: 06-39
12	86639028	5	BOLT, Hex, M8 x 65, 8.8, Full Thd,
13	86639029	3	BOLT, Hex, M8 x 75, 8.8, Full Thd,
14	S1150S02F	1	GASKET, Mounting
	371737A1	1	VALVE, SOLENOID, Three-way, Inc. 15 - 17
15	NSS	4	NOT SERVICED SEPARATELY, O-Ring
16	370600A1	1	VALVE, SOLENOID, Pilot Assy.
17	371739A1	1	COIL,

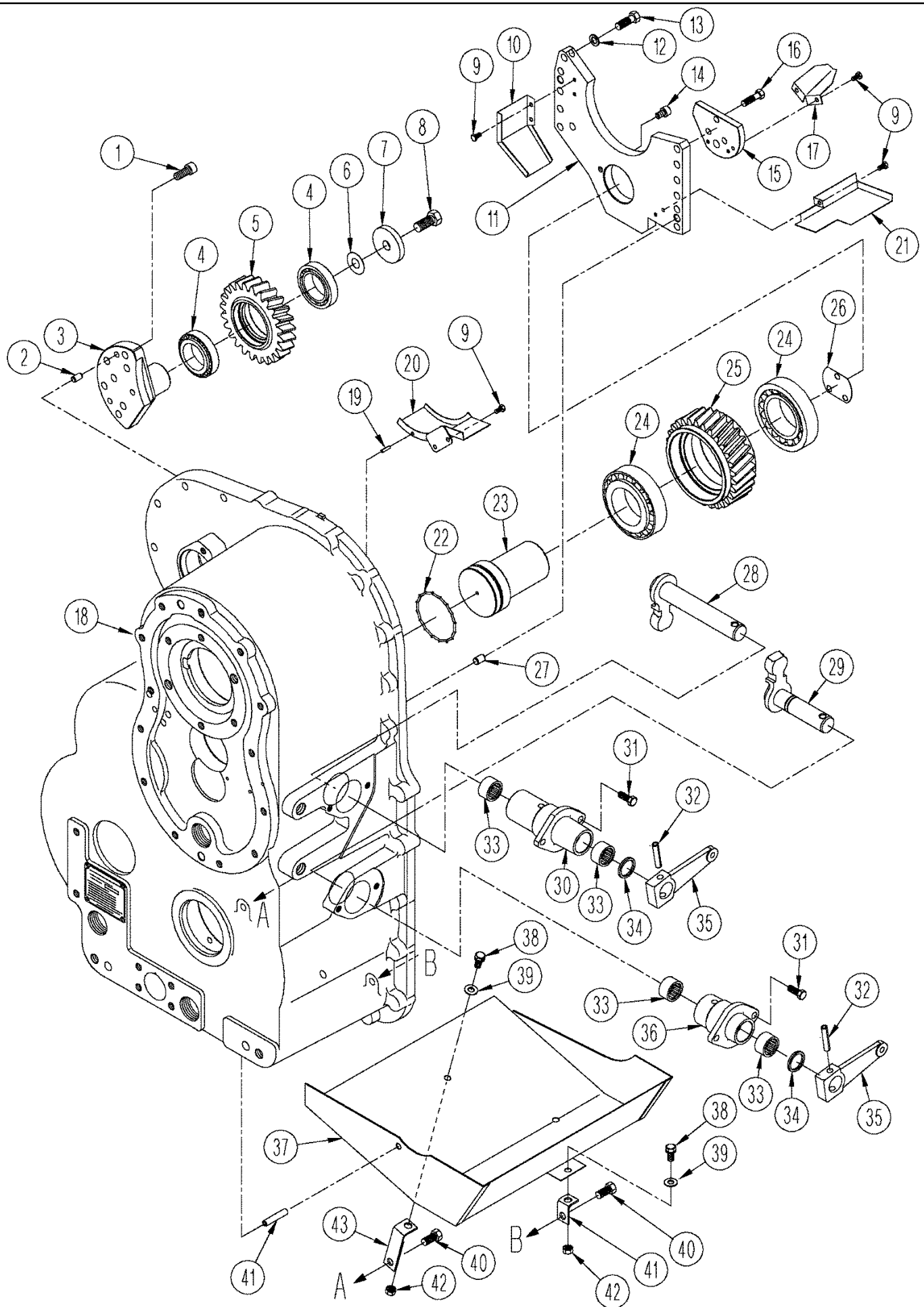


06-26 MANUAL SHIFT TRANSMISSION - COVERS AND YOKES

сылка	Номер детали	Кол-во	Описание
1	427538A1	1	HOUSING, Rear
2	427588A1	1	HOUSING, Front
3	427539A1	1	PLATE, RETAINING,
4	427560A1	AR	SHIM, 0.10 mm (0,004 in)
4	427561A1	AR	SHIM, 0.30 mm (0,012 in)
4	427562A1	AR	SHIM, 0.70 mm (0,028 in)
5	510207	1	O-RING, -327, 90 Duro, 1.725" ID x .210" Thk,
6	373136A1	1	COUPLING FLANGE, 8C, Input, with 450 Series Axle
6	362563A1	1	COUPLING FLANGE, 8.5C, Input, with 500 Series Axle
7	428159A1	1	SEAL, OIL,
8	428098A1	1	RETAINER, Input
9	428099A1	1	GASKET, Input
10	427564A1	AR	SHIM, 0.1 mm (0,004 in)
10	427565A1	AR	SHIM, 0.15 mm (0,006 in)
10	427566A1	AR	SHIM, 0.3 mm (0,012 in)
10	427567A1	AR	SHIM, 0.5 mm (0,020 in)
10	427568A1	AR	SHIM, 0.7 mm (0,028 in)
11	362566A1	1	ADAPTER, Pump
12	301642	1	RING, SNAP, M28, Int,
13	362567A1	1	COUPLING,
14	86639140	1	RING, SNAP, M50 Int,
15	428126A1	1	RETAINER, Second Shaft
16	428100A1	1	GASKET, Second Shaft
17	427592A1	1	PLATE, RETAINING,
18	427591A1	1	GASKET,
19	427557A1	1	RETAINER, Third Shaft
20	427582A1	1	GASKET, Third Shaft
21	412160	12	BOLT, Hex, M10 x 1.25 x 30, Cl8.8, Full Thd,
22	427569A1	1	WASHER, Retaining
23	86637971	4	BOLT, Hex, M12 x 1.25 x 30, 8.8, Full Thd,
24	427559A1	2	SCREW,
25	428149A1	1	O-RING,
26	427586A1	1	PLATE ASSY., Ditch
27	427583A1	1	GASKET, Ditch Plate
28	427556A1	1	RETAINER, Fourth Shaft
29	86637963	5	BOLT, Hex, M10 x 1.25 x 40, 8.8, Full Thd,
30	86589753	1	PLUG, M18 x 15, Inc. 31
31	86639043	1	O-RING,
32	86642451	1	CIRCLIP, Snap
33	427515A1	2	PLATE, RETAINING,
34	427517A1	AR	SHIM, 0,10 mm (0,004 in)
34	427519A1	AR	SHIM, 0,30 mm (0,012 in)
35	428165A1	2	O-RING,
36	427551A1	1	YOKE, 8C, Output, with 450 Series Axle
36	427550A1	1	YOKE, 8,5C, Output, with 500 Series Axle

06-26 MANUAL SHIFT TRANSMISSION - COVERS AND YOKES

сылка	Номер детали	Кол-во	Описание
37	427549A1	1	RING,
38	427514A1	2	SEAL, OIL,
39	427563A1	1	RETAINER, Output
40	427547A1	1	GASKET, Output
41	373138A1	1	COUPLING FLANGE, 8C, Output, with 450 Series Axle
41	362604A1	1	COUPLING FLANGE, 8,5C, Output, with 500 Series Axle
42	427558A1	1	COVER, Power Takeoff
43	303493A1	2	PLUG, Hex Soc, M42 x 2, ORB, Drain, Inc. 44
44	86639047	2	O-RING, CI 6, 38.6MM ID x 2.9 Thk,
45	375456A1	1	PLUG, DRAIN, M42 orb x 2; Inc. 46
46	86639047	1	O-RING, CI 6, 38.6MM ID x 2.9 Thk,
47	220064A1	3	PLUG, M14 x 1.5, ORB, Inc. 50
48	86639042	3	O-RING, CI 6, 11.3MM ID x 2.2 Thk,
49	428181A1	3	BOLT,
50	428180A1	6	BOLT, M10 x 35
51	86637972	1	BOLT, Hex, M12 x 1.25 x 20, 8.8, Full Thd,
52	86637967	2	BOLT, Hex, M10 x 1.25 x 45, 8.8, Full Thd,
53	86637964	4	BOLT, Hex, M10 x 1.25 x 50, 8.8, Full Ths,
54	16043224	2	BOLT, Hex, M8 x 16, 8.8, Full Thd,
55	86637970	6	BOLT, Hex, M12 x 1.25 x 35, 8.8, Full Thd,
56	86637974	4	BOLT, Hex, M12 x 1.25 x 25, 8.8, Full Thd,
	178889A1	2	FITTING, Diagnostic; Inc. 57, 58
57	86502604	1	DUST CAP,
58	NSS	1	NOT SERVICED SEPARATELY, Fitting, Diagnostic, Inc. 59
59	86639042	1	O-RING, CI 6, 11.3MM ID x 2.2 Thk,



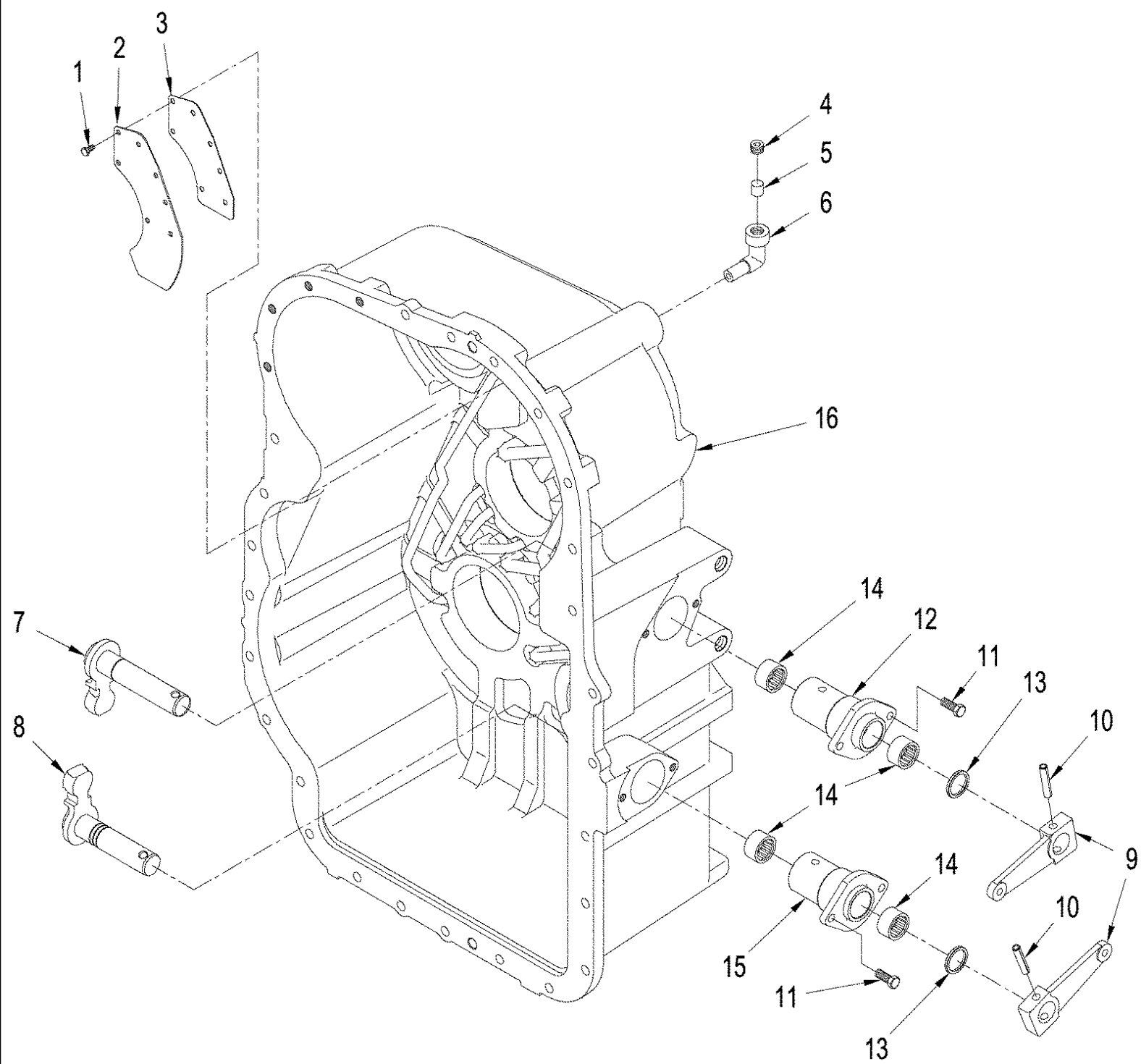
06-27 MANUAL SHIFT TRANSMISSION - REAR HOUSING

сылка	Номер детали	Кол-во	Описание
1	427666A1	7	SCREW, Socket
2	428151A1	2	DOWEL, Dowel
3	427664A1	1	SHAFT, Idler
4	427662A1	2	BEARING, ROLLER, TAPERED,
5	427659A1	1	GEAR, IDLER, Reverse
6	S9950S00F	AR	SHIM,
6	S9960S00F	AR	SHIM,
6	S9970S00F	AR	SHIM,
6	S9980S00F	AR	SHIM,
7	427661A1	1	WASHER, Retaining
8	86637960	1	BOLT, Hex, M16 x 1.5 x 35, 10.9, Full Thd,
9	86977726	7	BOLT, Hex, M6 x 12, 8.8,
10	427578A1	1	TROUGH,
11	427616A1	1	PLATE, SUPPORT,
12	428172A1	12	WASHER, Lock
13	86637970	12	BOLT, Hex, M12 x 1.25 x 35, 8.8, Full Thd,
14	427553A1	1	SCREW, Socket
15	427554A1	1	WASHER, Retaining
16	86637966	3	BOLT, Hex, M10 x 1.25 x 35, 8.8, Full Thd,
17	427576A1	1	TROUGH,
18	427538A1	1	HOUSING,
19	86639257	1	PIN, LOCK, M5 x 18, Slotted,
20	427579A1	1	TROUGH, First Gear
21	427580A1	1	TROUGH, Second Gear
22	428157A1	1	O-RING,
23	427615A1	1	SHAFT,
24	427613A1	2	BEARING, ROLLER, TAPERED,
25	427614A1	1	GEAR, IDLER,
26	427570A1	AR	SHIM, 0,10 mm (0,004 in)
26	427571A1	AR	SHIM, 0,15 mm (0,006 in)
26	427572A1	AR	SHIM, 0,30 mm (0,012 in)
26	427573A1	AR	SHIM, 0,70 mm (0,028 in)
27	428152A1	2	DOWEL, Dowel
28	428144A1	1	LEVER, 1-R Gears
29	428146A1	1	LEVER, A-B Range
30	428140A1	1	SUPPORT, Lever, 1-R Gears
31	412159	4	BOLT, Hex, M10 x 1.25 x 25, 8.8, Full Thd,
32	SM831050	3	PIN,
33	428128A1	4	BEARING, NEEDLE,
34	428129A1	2	SEAL, OIL,
35	428127A1	2	LEVER, Range / Gear Shifter
36	428142A1	1	SUPPORT, Lever, A-B Range
37	427546A1	1	BAFFLE, Oil
38	86637962	2	BOLT, Hex, M10 x 1.25 x 20, 8.8, Full Thd,
39	86624176	2	WASHER, M10 x 20 x 2,

T9040 4WD TRACTOR, ASN (8/07-) - Power Train

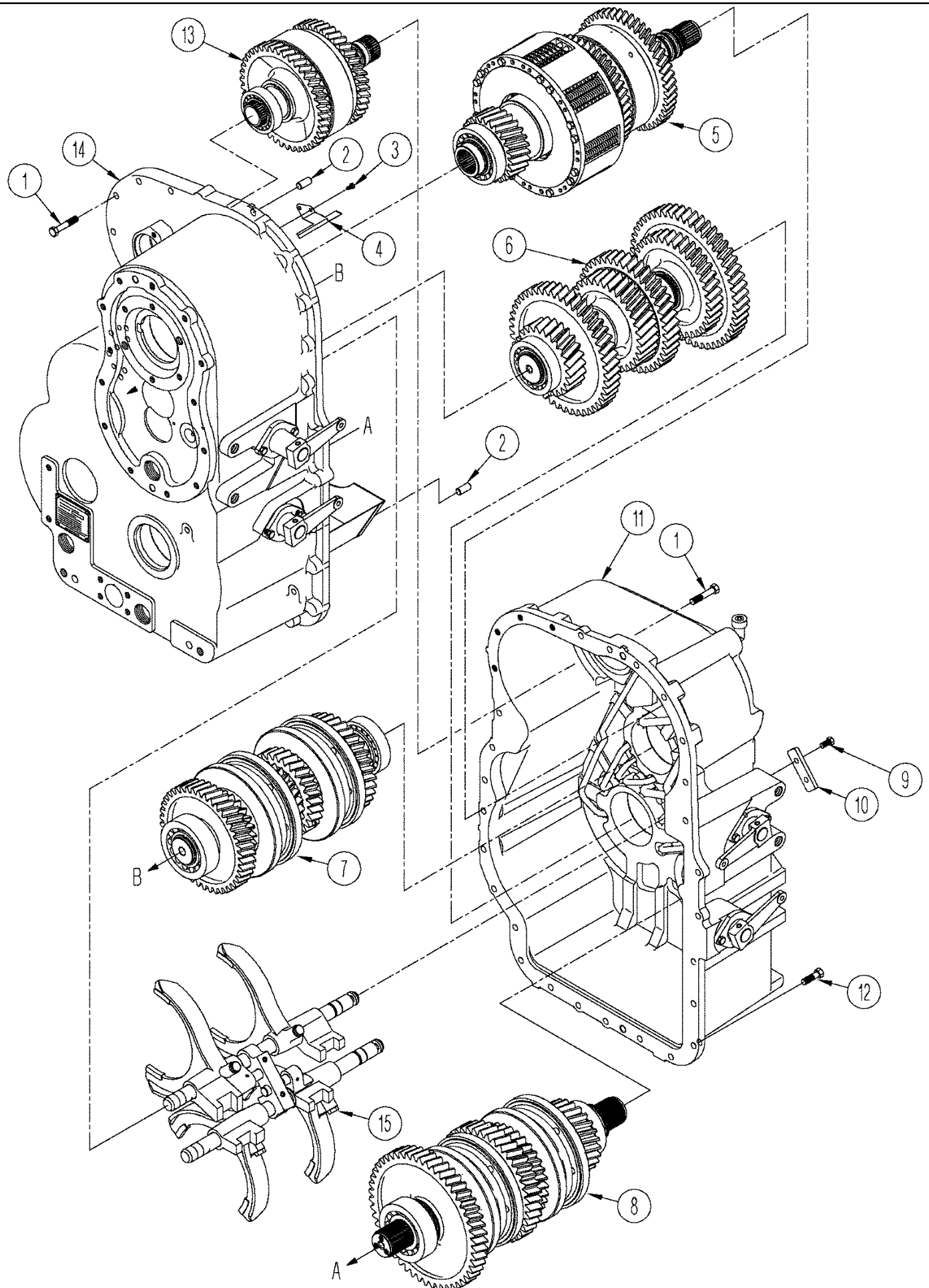
06-27 MANUAL SHIFT TRANSMISSION - REAR HOUSING

сылка	Номер детали	Кол-во	Описание
40	86637974	2	BOLT, Hex, M12 x 1.25 x 25, 8.8, Full Thd,
41	427548A1	1	STRAP, Left-Hand
42	SM8911240	2	NUT,
43	427545A1	1	STRAP, Right-Hand



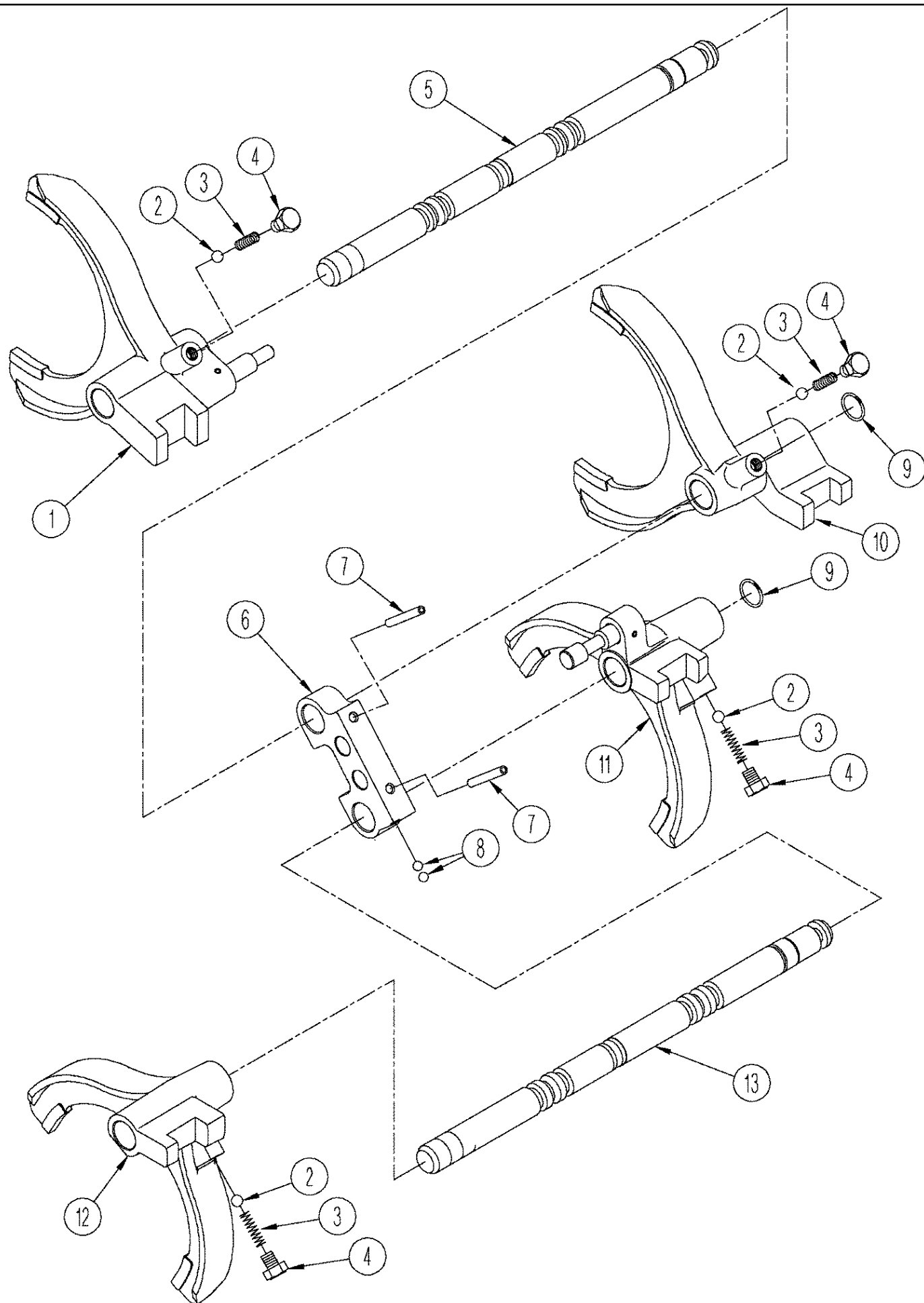
06-28 MANUAL SHIFT TRANSMISSION - FRONT HOUSING

сылка	Номер детали	Кол-во	Описание
1	86977726	7	BOLT, Hex, M6 x 12, 8.8,
2	427575A1	1	BAFFLE,
3	427574A1	1	GASKET,
4	428156A1	1	PLUG,
5	427524A1	1	BREATHER,
6	370632A1	1	TUBE, Breather
7	428145A1	1	LEVER, 2-3 Gears
8	428147A1	1	LEVER, C-D Range
9	428127A1	2	LEVER, Range / Gear Shift
10	SM831050	2	PIN,
11	412159	4	BOLT, Hex, M10 x 1.25 x 25, 8.8, Full Thd,
12	428141A1	1	SUPPORT, Lever, 2-3 Gears
13	428129A1	2	SEAL, OIL,
14	428128A1	4	BEARING, NEEDLE,
15	428143A1	1	SUPPORT, Lever, C-D Range
16	427588A1	1	HOUSING, Front



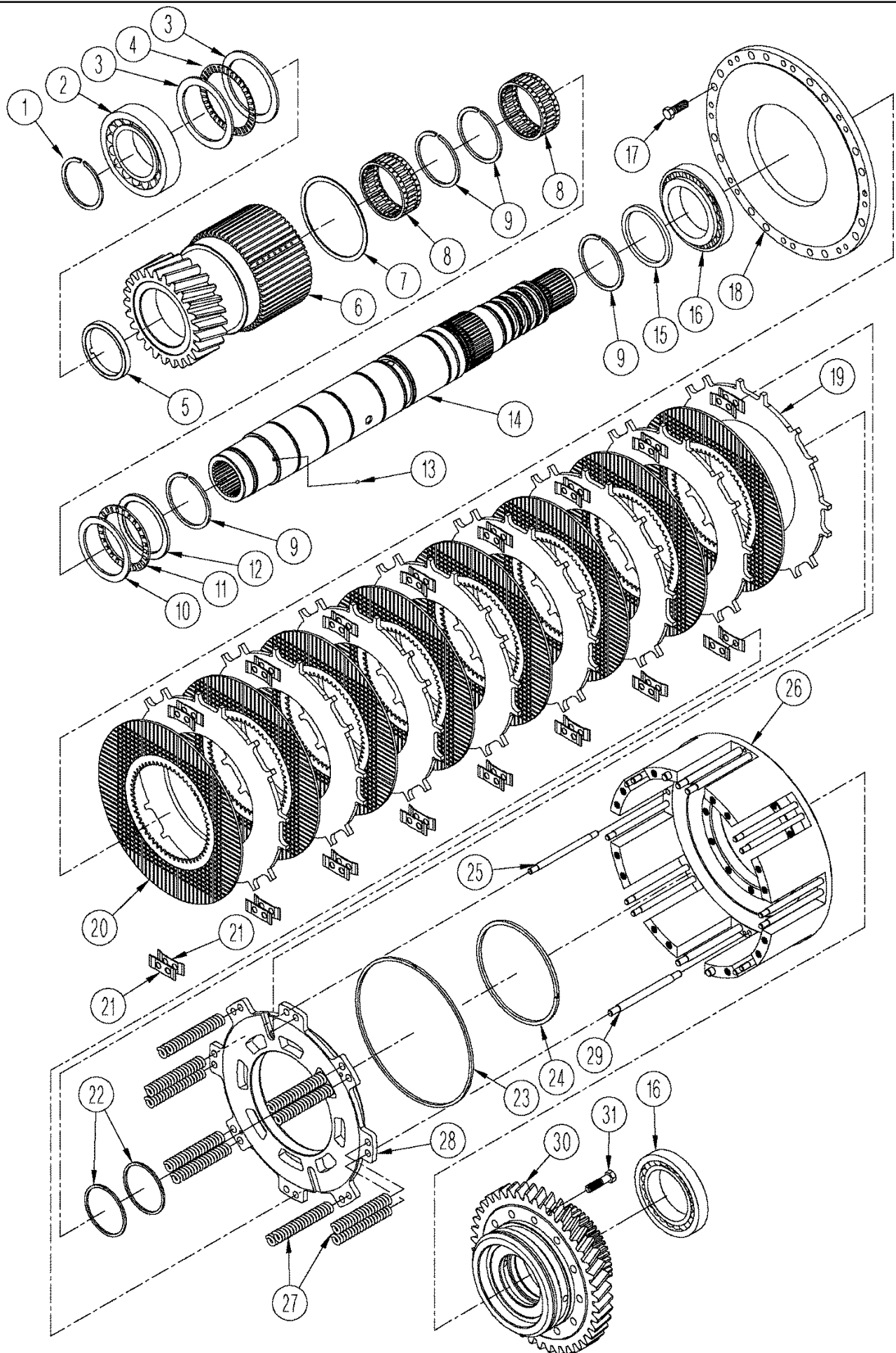
06-29 MANUAL SHIFT TRANSMISSION - SHAFT ASSY AND SHIFTER FORKS

сылка	Номер детали	Кол-во	Описание
1	86637975	13	BOLT, Hex, M12 x 1.25 x 60, 8.8, Full Thd,
2	427530A1	2	DOWEL, Dowel
3	427577A1	1	TROUGH, Reverse Idler
4	86977726	2	BOLT, Hex, M6 x 12, 8.8,
5	428120A1	1	SHAFT ASSY., Input, See Figure : 06-31
6	427681A1	1	SHAFT ASSY., Fourth, See Figure : 06-35
7	427647A1	2	SHAFT ASSY., Third, See Figure : 06-34
8	427690A1	1	SHAFT ASSY., Fifth, See Figure : 06-36
9	86637962	2	BOLT, Hex, M10 x 1.25 x 20, 8.8, Full Thd,
10	428138A1	1	PLATE,
11	427588A1	1	HOUSING, Front
12	86637969	16	BOLT, Hex, M12 x 1.25 x 25, 8.8, Full Thd,
13	428121A1	1	SHAFT ASSY., Second, See Figure : 06-33
14	427538A1	1	HOUSING, Rear
15	428130A1	1	FORK, SHIFTER, 1-R Gears, See Figure : 06-30
15	428131A1	1	FORK, SHIFTER, 2-3 Gears, See Figure : 06-30
15	428133A1	1	FORK, SHIFTER, C-D Range, See Figure : 06-30
15	428132A1	1	FORK, SHIFTER, A-B Range, See Figure : 06-30



06-30 MANUAL SHIFT TRANSMISSION - SHIFTER FORKS

сылка	Номер детали	Кол-во	Описание
1	428130A1	1	FORK, SHIFTER, 1-R Gears
2	428155A1	4	BALL,
3	428139A1	4	SPRING,
4	428154A1	4	PLUG,
5	428135A1	1	ROD, Speed Shaft
6	428134A1	1	PLATE, Interlock
7	86639258	2	PIN, LOCK, M8 x 60, Slotted,
8	428150A1	2	BALL,
9	428137A1	2	O-RING,
10	428131A1	1	FORK, SHIFTER, 2-3 Gears
11	428133A1	1	FORK, SHIFTER, C-D Range
12	428132A1	1	FORK, SHIFTER, A-B Range
13	428136A1	1	ROD, Range Shift

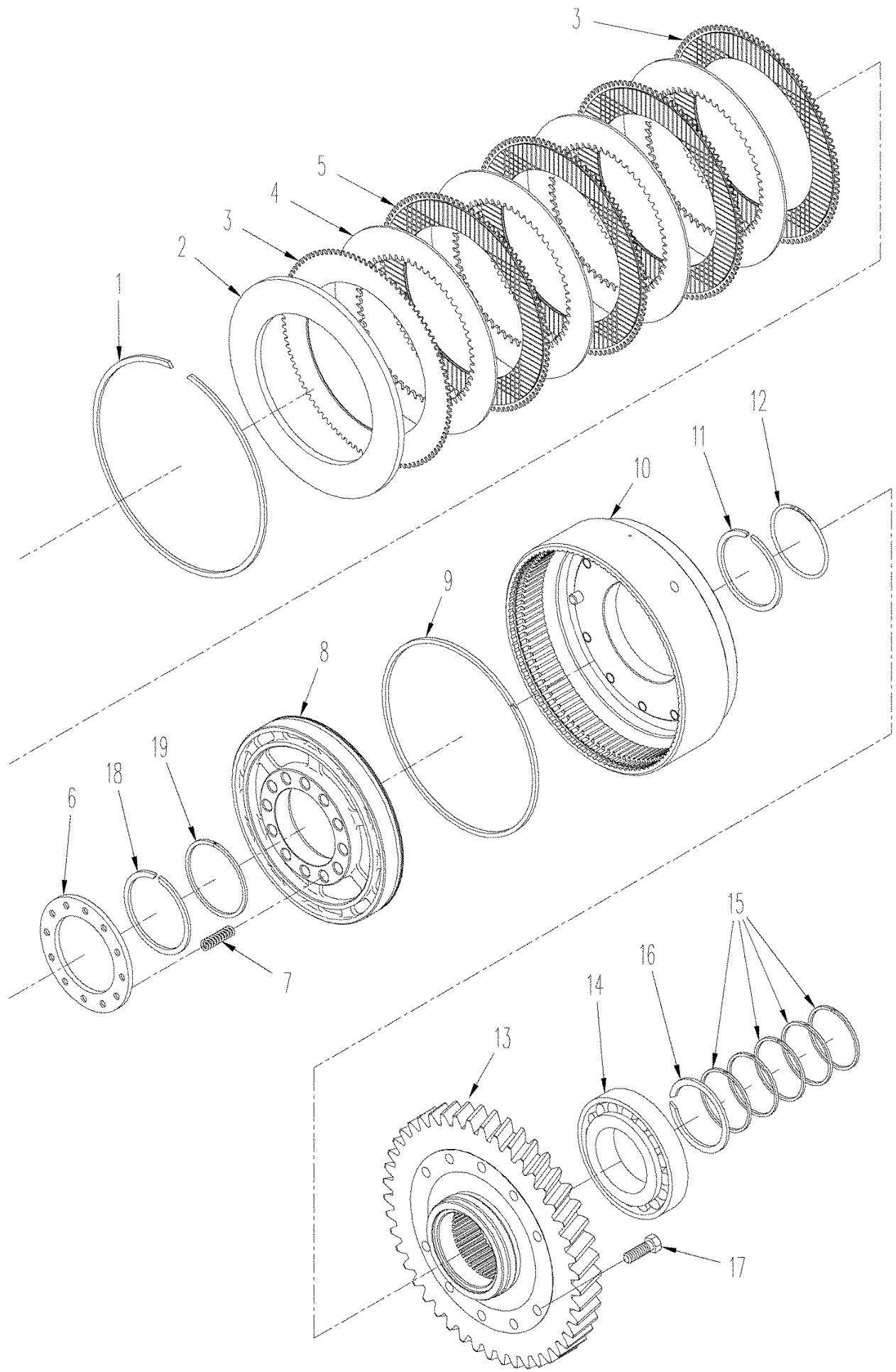


06-31 MANUAL SHIFT TRANSMISSION - INPUT SHAFT ASSY

сылка	Номер детали	Кол-во	Описание
	428120A1	1	SHAFT ASSY., Input, 7, Inc. 1-31, See Figure: 06-32
1	427643A1		AR RING, SNAP, 2,4 mm
1	427644A1		AR RING, 2,5 mm
1	427645A1		AR RING, 2,6 mm
1	427646A1		AR RING, 2,7 mm
2	427613A1	1	BEARING, ROLLER, TAPERED,
3	427620A1	2	WASHER, THRUST,
4	427617A1	1	BEARING, THRUST,
5	427619A1	1	COLLAR,
6	427610A1	1	GEAR, Input
7	427608A1	1	SNAP RING,
8	427612A1	2	BEARING, NEEDLE,
9	S5040S00F	3	RING, Retaining
10	S5230S00F	1	WASHER, THRUST,
11	A75158	1	BEARING, THRUST,
12	427618A1	2	WASHER, THRUST,
13	S14701960	1	BALL,
14	428101A1	1	SHAFT, High / Low Input
15	427621A1		AR WASHER, 5,10 mm
15	427622A1		AR WASHER, 5,15 mm
15	427623A1		AR WASHER, 5,20 mm
15	427624A1		AR WASHER, 5,25 mm
15	427625A1		AR WASHER, 5,30 mm
15	427626A1		AR WASHER, 5,35 mm
15	427627A1		AR WASHER, 5,40 mm
15	427628A1		AR WASHER, 5,45 mm
15	427629A1		AR WASHER, 5,50 mm
15	427630A1		AR WASHER, 5,55 mm
15	427631A1		AR WASHER, 5,60 mm
15	427632A1		AR WASHER, 5,65 mm
15	427633A1		AR WASHER, 5,70 mm
15	427634A1		AR WASHER, 5,75 mm
15	427635A1		AR WASHER, 5,80 mm
15	427636A1		AR WASHER, 5,85 mm
15	427637A1		AR WASHER, 5,90 mm
15	427638A1		AR WASHER, 5,95 mm
15	427639A1		AR WASHER, 6,0 mm
15	427640A1		AR WASHER, 6,05 mm
15	427641A1		AR WASHER, 6,10 mm
15	427642A1		AR WASHER, 6,15 mm
16	428112A1	2	BEARING ASSY,
17	412160	10	BOLT, Hex, M10 x 1.25 x 30, Cl8.8, Full Thd,
18	427595A1	1	COVER,
19	427602A1		AR DISC, CLUTCH, Steel, If Used
19	427603A1		AR DISC, CLUTCH, Steel, If Used

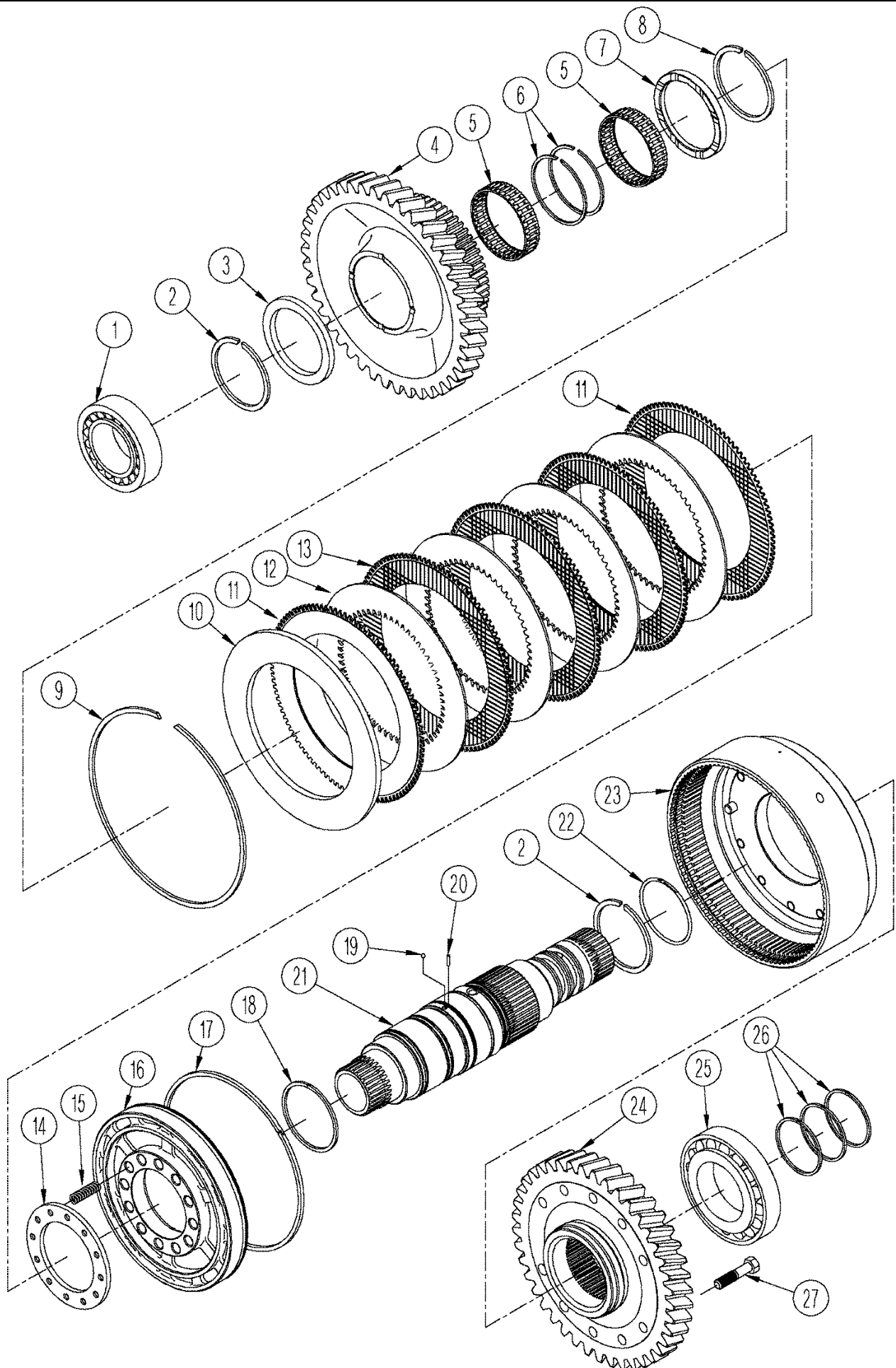
06-31 MANUAL SHIFT TRANSMISSION - INPUT SHAFT ASSY

сылка	Номер детали	Кол-во	Описание
20	427601A1	8	DISC, CLUTCH, Faced
21	427606A1	32	SPRING, Clutch Separator
22	S4410S00F	2	RING,
23	427600A1	1	SEALRING,
24	427599A1	1	SEALRING,
25	427605A1	12	GUIDE,
26	427607A1	1	DRUM, Clutch
27	427596A1	12	SPRING,
28	427604A1	1	PISTON, Clutch
29	427597A1	4	GUIDE,
30	428119A1	1	GEAR, High
31	86637963	12	BOLT, Hex, M10 x 1.25 x 40, 8.8, Full Thd,



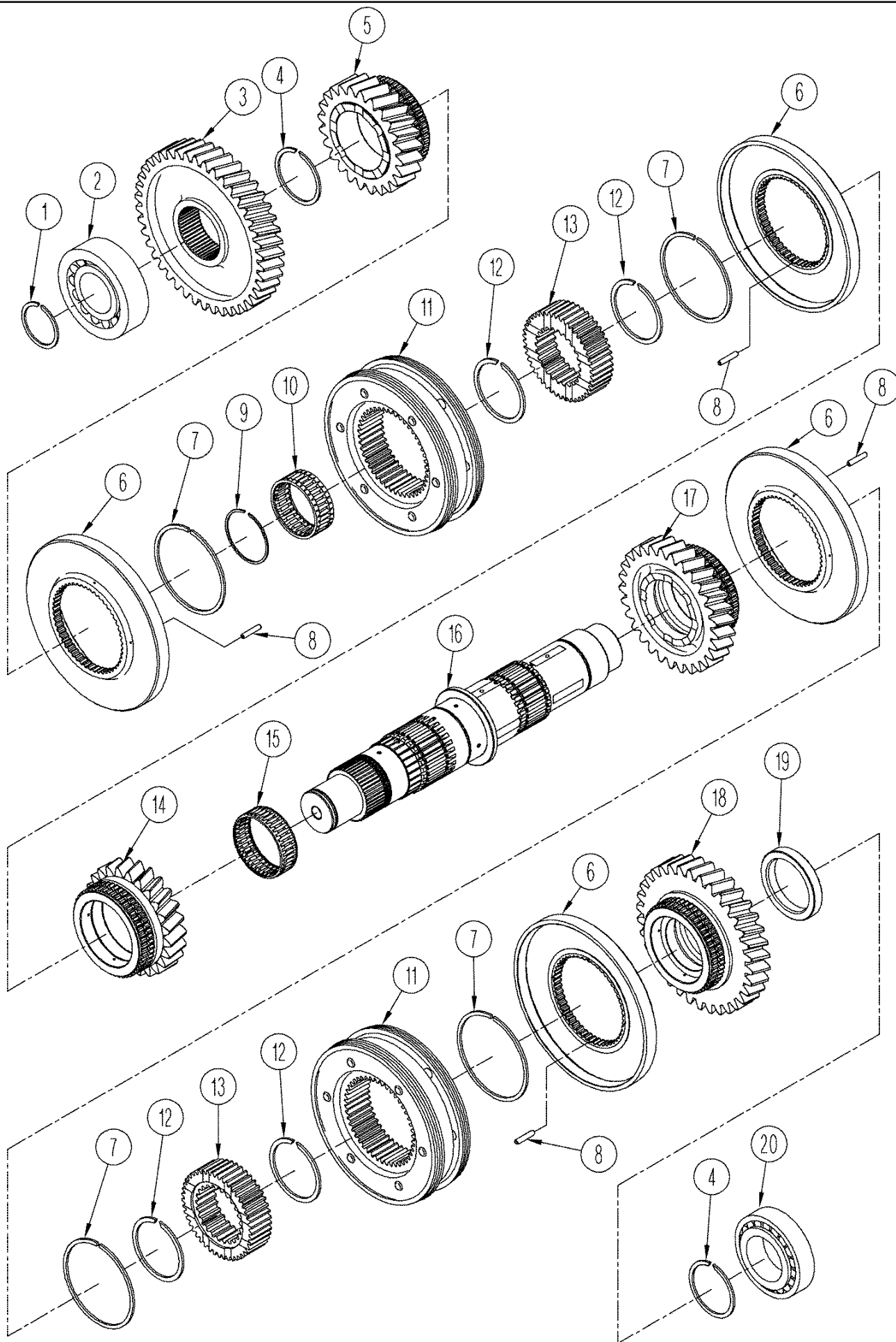
06-32 MANUAL SHIFT TRANSMISSION - INPUT SHAFT ASSY

сылка	Номер детали	Кол-во	Описание
	428120A1	1	SHAFT ASSY., Input, 7, Inc. 1 -19, See Figure: 06-31
1	428108A1	1	SNAP RING,
2	428104A1	1	PLATE, Clutch End
3	428110A1	2	DISC, CLUTCH, Faced Clutch
4	S4070S00F	AR	DISC, CLUTCH, If Used
4	S4110S00F	AR	DISC, CLUTCH, If Used
5	427534A1	3	DISC, CLUTCH, Faced Clutch
6	428109A1	1	PLATE, Spring Return
7	S2640S00F	12	SPRING,
8	428111A1	1	PISTON, Clutch
9	S2630S00F	1	RING,
10	428106A1	1	DRUM, High / Low Clutch
11	428163A1	1	SNAP RING, Retaining
12	428107A1	1	O-RING,
13	428105A1	1	GEAR,
14	428103A1	2	BEARING, ROLLER, TAPERED,
15	427674A1	AR	SHIM, 2,5 mm
15	427675A1	AR	SHIM, 2,6 mm
15	427676A1	AR	SHIM, 2,7 mm
15	427678A1	AR	SHIM, 2,8 mm
15	427679A1	AR	SHIM, 2,9 mm
15	427680A1	AR	SHIM, 3,0 mm
16	428102A1	5	RING, SNAP,
17	412160	10	BOLT, Hex, M10 x 1.25 x 30, Cl8.8, Full Thd,
18	S5040S00F	1	RING,
19	S4410S00F	1	RING,



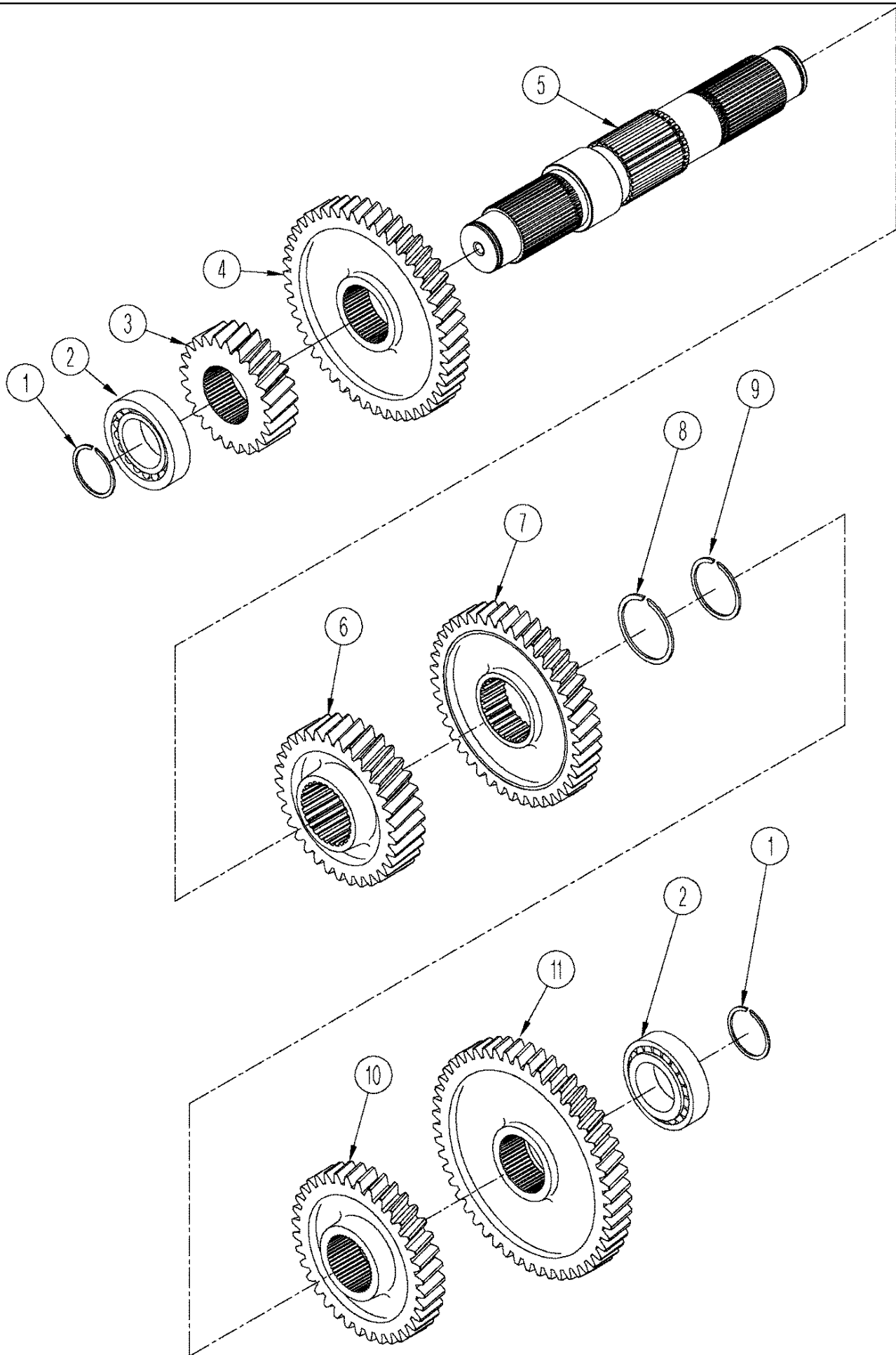
06-33 MANUAL SHIFT TRANSMISSION - SECOND SHAFT ASSY

сылка	Номер детали	Кол-во	Описание
	428121A1	1	SHAFT ASSY., Second, Inc. 1-27
1	428183A1	1	BEARING,
2	428163A1	1	SNAP RING, Retaining
3	428115A1	1	WASHER, Retaining
4	428116A1	1	GEAR, 42T, High Clutch
5	428125A1	2	BEARING, NEEDLE,
6	428124A1	2	SNAP RING,
7	428117A1	1	WASHER,
8	S5040S00F	1	RING, Retaining
9	428108A1	1	SNAP RING,
10	428104A1	1	PLATE, Clutch End
11	428110A1	2	DISC, CLUTCH, Faced Clutch
12	S4070S00F	AR	DISC, CLUTCH, If Used
12	S4110S00F	AR	DISC, CLUTCH, If Used
13	427534A1	3	DISC, CLUTCH, Faced Clutch
14	428109A1	1	PLATE, Spring Return
15	S2640S00F	12	SPRING,
16	428111A1	1	PISTON, Clutch
17	S2630S00F	1	RING,
18	S4410S00F	1	RING,
19	428153A1	1	BALL,
20	428118A1	1	NEEDLE,
21	428113A1	1	SHAFT ASSY.,
22	428107A1	1	O-RING,
23	428106A1	1	DRUM,
24	428122A1	1	GEAR, Input
25	428103A1	1	BEARING, ROLLER, TAPERED,
26	S3070S00F	3	RING,
27	428178A1	10	BOLT,



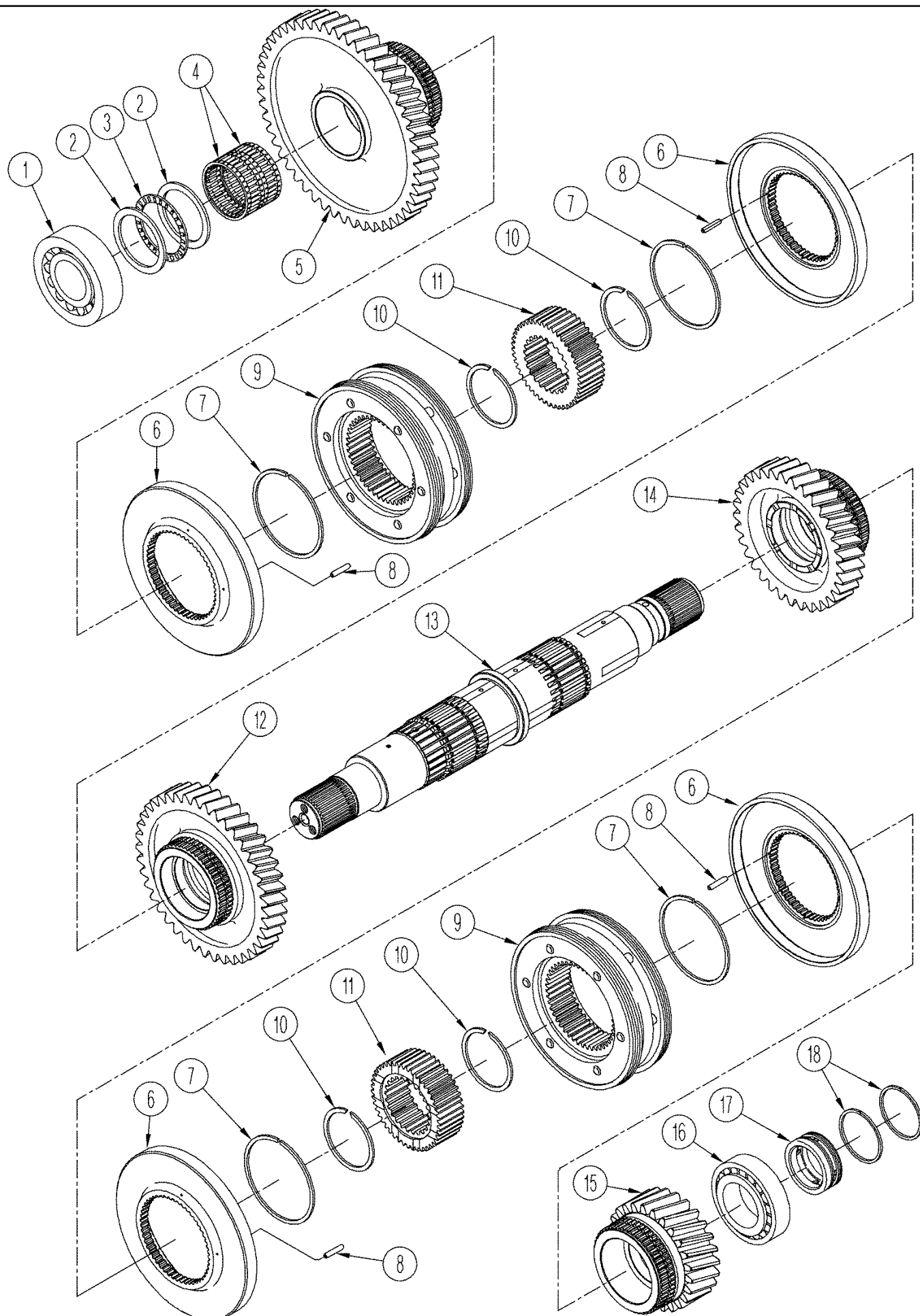
06-34 MANUAL SHIFT TRANSMISSION - THIRD SHAFT ASSY

сылка	Номер детали	Кол-во	Описание
	427647A1	1	SHAFT ASSY., Third, Inc. 1-20
1	427668A1	AR	SNAP RING, 2,5 mm
1	427669A1	AR	SNAP RING, 2,6 mm
1	427670A1	AR	SNAP RING, 2,7 mm
1	427671A1	AR	SNAP RING, 2,8 mm
1	427672A1	AR	SNAP RING, 2,9 mm
1	427673A1	AR	SNAP RING, 3,0 mm
2	428074A1	1	BEARING, ROLLER, TAPERED,
3	427656A1	1	GEAR,
4	S5040S00F	2	RING, Retaining
5	372071A1	1	GEAR, First
6	427663A1	4	DISC, Synchro Speed
7	427654A1	4	SNAP RING,
8	SM832508	16	PIN,
9	427653A1	1	SNAP RING,
10	S5070S00F	1	BEARING, NEEDLE,
11	427667A1	2	SLEEVE ASSY, Synchro Speed
12	S5090S00F	4	SNAP RING, Retaining
13	372073A1	2	GEAR-SET, Clutch
14	427657A1	1	GEAR, Reverse
15	427660A1	1	BEARING, NEEDLE,
16	427648A1	1	SHAFT, Speed
17	372072A1	1	GEAR, Second
18	427658A1	1	GEAR, Third
19	427651A1	1	SPACER,
20	427649A1	1	BEARING, ROLLER, TAPERED,



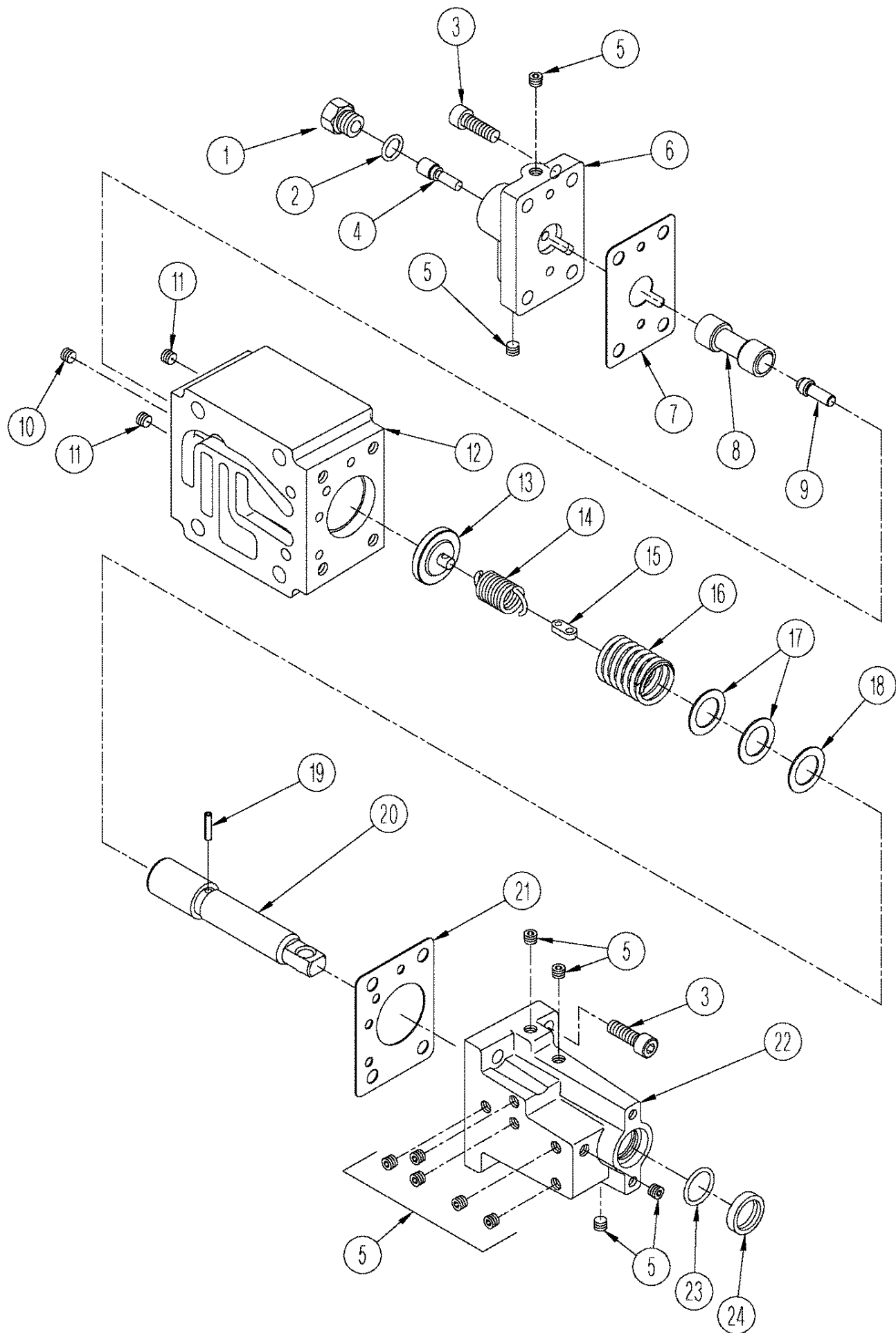
06-35 MANUAL SHIFT TRANSMISSION - FOURTH SHAFT ASSY

сылка	Номер детали	Кол-во	Описание
	427681A1	1	SHAFT ASSY., Fourth, Inc. 1-11
1	427674A1	AR	SHIM, Retaining, 2,5 mm
1	427675A1	AR	SHIM, Retaining, 2,6 mm
1	427676A1	AR	SHIM, Retaining, 2,7 mm
1	427678A1	AR	SHIM, Retaining, 2,8 mm
1	427679A1	AR	SHIM, Retaining, 2,9 mm
1	427680A1	AR	SHIM, Retaining, 3,0 mm
2	427649A1	2	BEARING, ROLLER, TAPERED,
3	427684A1	1	GEAR, A Range
4	427685A1	1	GEAR, First
5	427682A1	1	SHAFT, Center
6	427686A1	1	GEAR, B Range
7	427687A1	1	GEAR, Second
8	S5090S00F	1	SNAP RING, Retaining
9	S5040S00F	1	RING, Retaining
10	427688A1	1	GEAR, Third
11	427689A1	1	GEAR, D Range



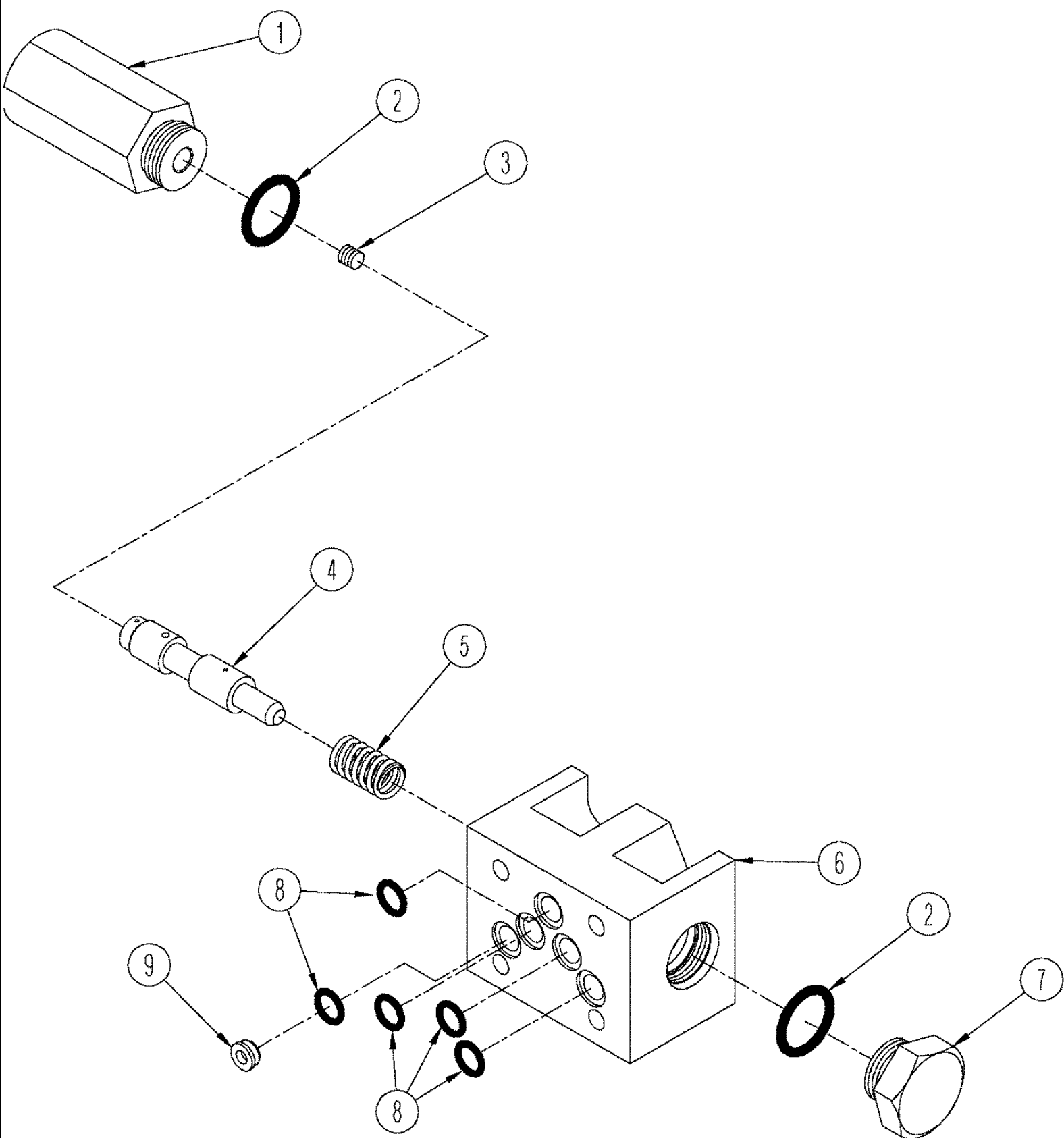
06-36 MANUAL SHIFT TRANSMISSION - FIFTH SHAFT ASSY

сылка	Номер детали	Кол-во	Описание
	427690A1	1	SHAFT ASSY., Fifth, Inc. 1-18
1	428074A1	1	BEARING, ROLLER, TAPERED,
2	S5230S00F	2	WASHER, THRUST,
3	A75158	1	BEARING, THRUST,
4	S5070S00F	2	BEARING, NEEDLE,
5	428076A1	1	GEAR, A Range
6	428081A1	4	DISC, Synchro Range
7	427654A1	8	SNAP RING,
8	SM832508	16	PIN,
9	428082A1	2	SLEEVE ASSY, Synchro Range
10	S5090S00F	4	SNAP RING, Retaining
11	428075A1	2	HUB, Clutch Range
12	428077A1	1	GEAR, B Range
13	427691A1	1	SHAFT, Output
14	428079A1	1	GEAR, C Range
15	428080A1	1	GEAR, D Range
16	427649A1	1	BEARING, ROLLER, TAPERED,
17	427683A1	1	RING, Carrier Ring
18	S4150S00F	2	RING, Seal



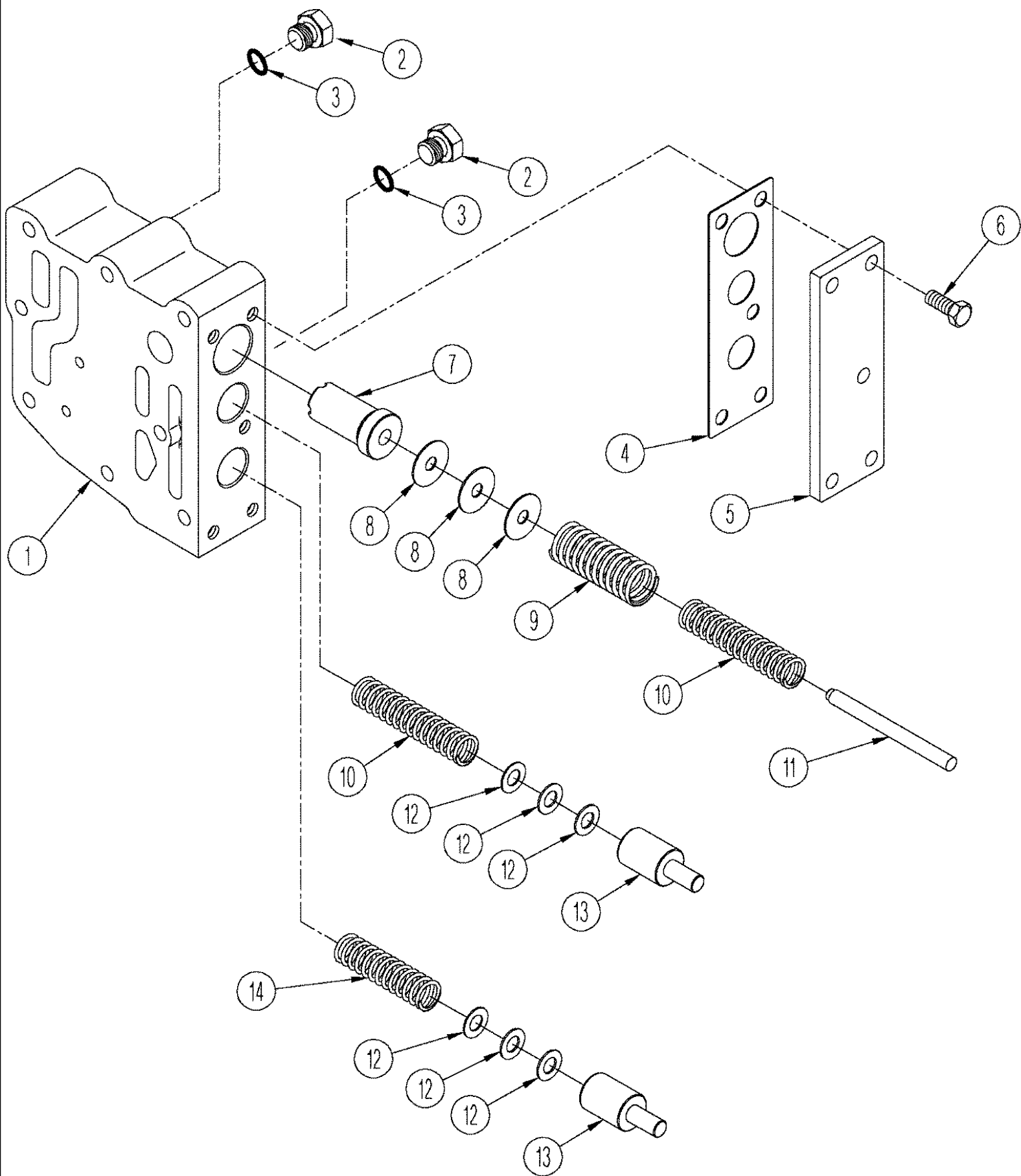
06-37 MANUAL SHIFT TRANSMISSION - CONTROL VALVE ASSY

сылка	Номер детали	Кол-во	Описание
	428083A1	1	VALVE, Control, Inc. 1 - 24
1	S6170S00F	1	PLUG, Inc. 2
2	S6180S00F	1	O-RING,
3	S6260S00F	8	SCREW,
4	S6010S00F	1	SPOOL, Reducing
5	S6220S00F	11	PLUG,
6	S6020S00F	1	COVER, Modulator Valve
7	S6030S00F	1	GASKET, Modulator Valve Cover
8	S6040S00F	1	SPOOL, Modulator
9	S6160S00F	1	PIN,
10	S6240S00F	1	ORIFICE,
11	S6230S00F	2	ORIFICE,
12	428084A1	1	BODY, VALVE, Modulator
13	S6060S00F	1	SEAT, SPRING,
14	S6210S00F	1	SPRING, Extension
15	S6080S00F	1	LINK, CONNECTING,
16	S6150S00F	1	SPRING,
17	S6140S00F	AR	SHIM,
18	S6200S00F	1	SPACER, Valve
19	S6130S00F	1	PIN, ROLL,
20	S6100S00F	1	HOUSING, Control Stem
21	427537A1	1	GASKET, Control Stem Cover
22	428085A1	1	COVER, Control Stem
23	S6120S00F	1	O-RING,
24	S6110S00F	1	SEAL, Oil



06-38 MANUAL SHIFT TRANSMISSION - LOCKOUT VALVE ASSY

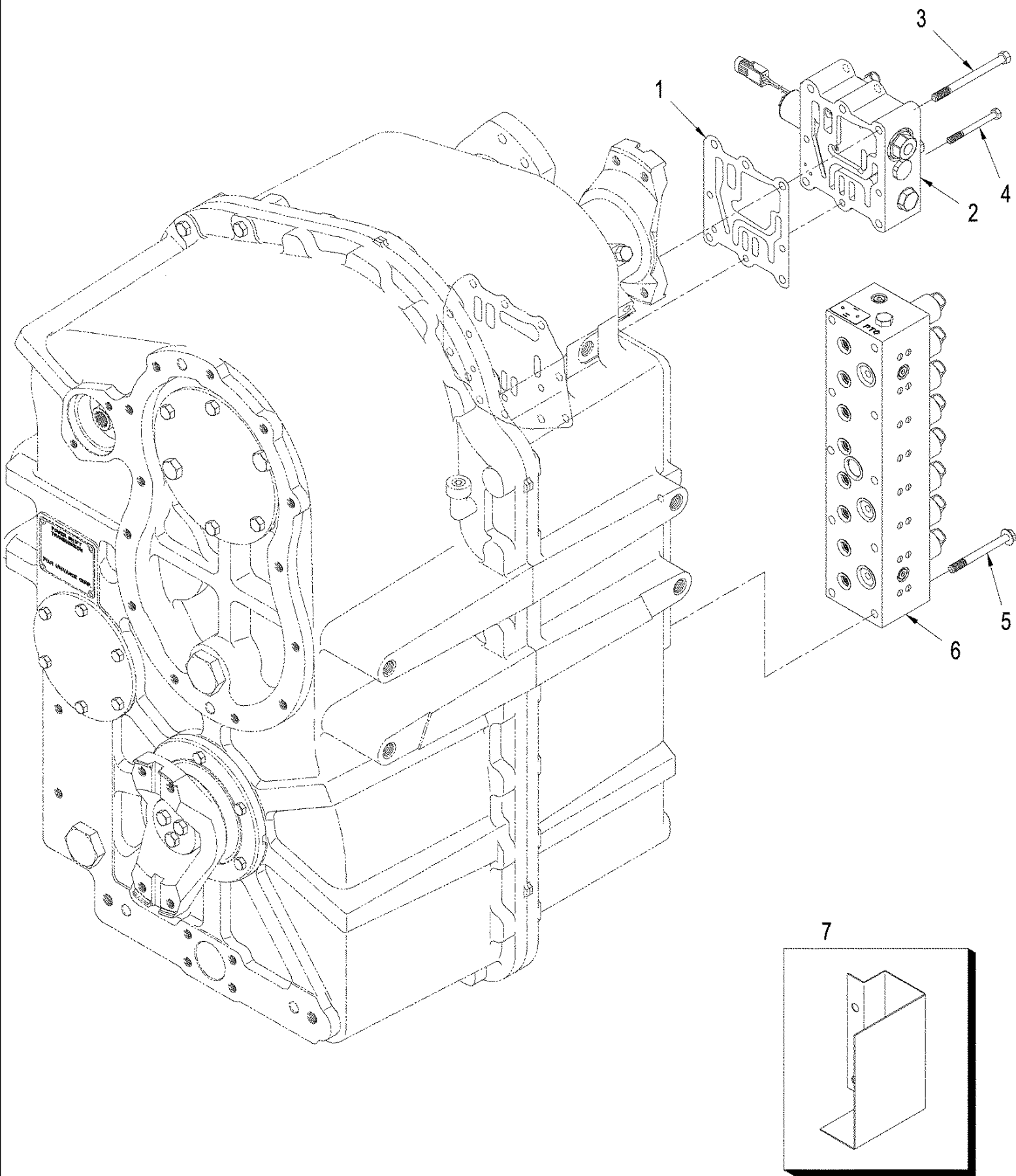
сылка	Номер детали	Кол-во	Описание
	428091A1	1	VALVE, Lockout, Inc. 1-9
1	428090A1	1	PLUG,
2	428086A1	2	O-RING,
3	428094A1	1	PLUG,
4	428089A1	1	SPOOL, Lockout
5	428088A1	1	SPRING, Lockout
6	428092A1	1	BODY, VALVE, Lockout
7	428087A1	1	PLUG,
8	428093A1	5	O-RING,
9	428095A1	1	ORIFICE,



06-39 MANUAL SHIFT TRANSMISSION - REGULATOR VALVE ASSY

сылка	Номер детали	Кол-во	Описание
	428096A1	1	VALVE, Regulator, Inc. 1-14
1	428097A1	1	BODY, Regulator Valve
2	220064A1	2	PLUG, M14 x 1.5, ORB, Inc. 3
3	86639042	2	O-RING, CI 6, 11.3MM ID x 2.2 Thk,
4	S7090S00F	1	GASKET, Regulator Valve Cover
5	S7110S00F	1	COVER, Regulator Valve
6	120104	5	SCREW, Hex, M8 x 20, 8.8,
7	S7030S01F	1	VALVE, Pressure Regulator
8	S7010S00F	AR	SHIM,
9	S7120S00F	1	SPRING, Compression
10	S7050S00F	2	SPRING, Compression
11	S7020S00F	1	STEM, Pressure Regulator
12	S7080S00F	AR	SHIM,
13	S7060S00F	2	VALVE, Lube Regulator
14	S7070S00F	1	SPRING, Compression

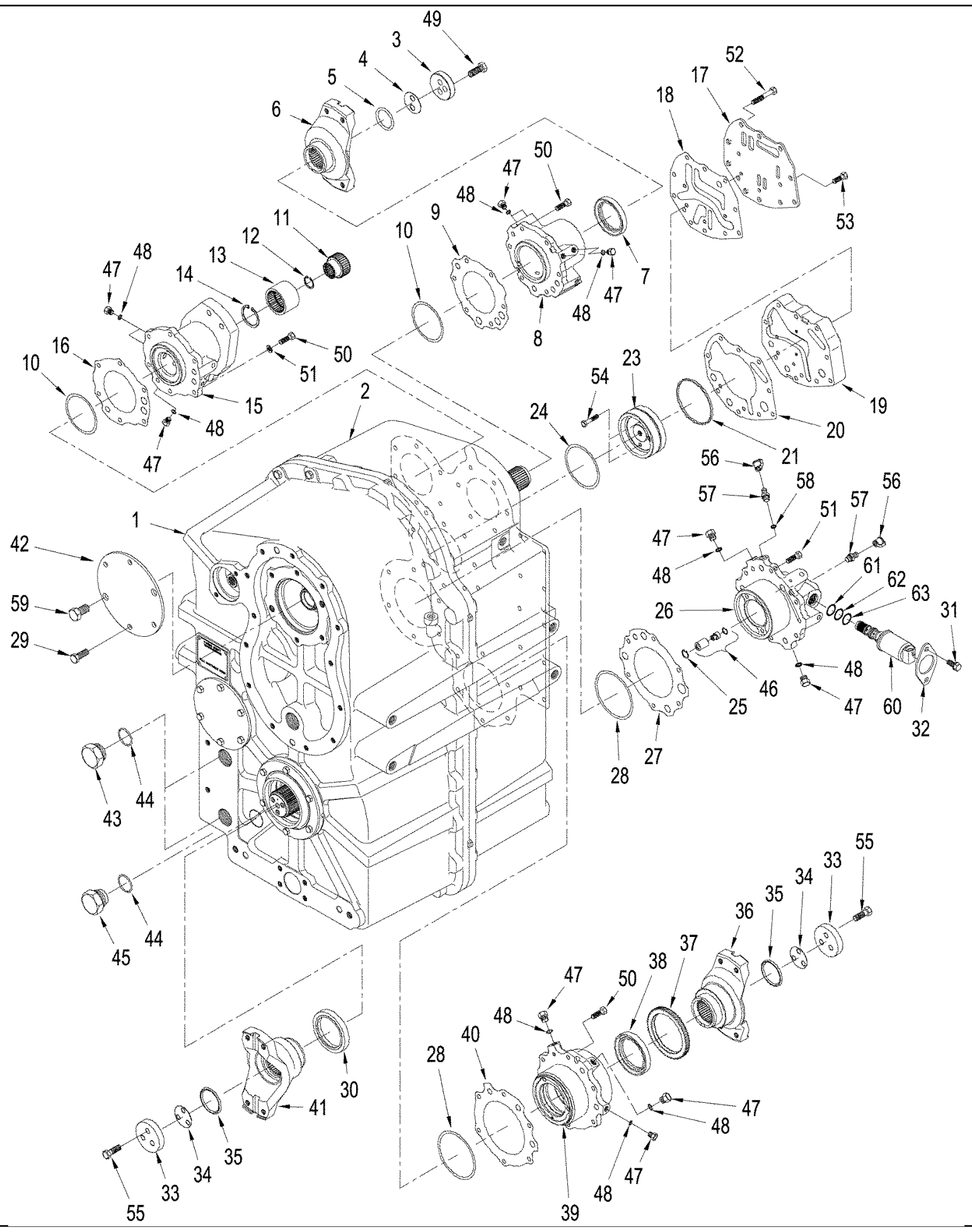
06-40 POWER SHIFT TRANSMISSION - VALVE AND PUMP MOUNTING



06-40 POWER SHIFT TRANSMISSION - VALVE AND PUMP MOUNTING

сылка	Номер детали	Кол-во	Описание
1	87351408	1	GASKET, Regulator
2	87350388	1	VALVE, Regulator, See Figure: 06-52
3	86637968	5	BOLT, Hex, M10 x 1.25 x 120, 8.8,
4	120108	3	BOLT, Hex, M8 x 80, 8.8, Full Thd,
5	87362227	10	BOLT, M10 x 90, CL8.8
6	87350421	1	VALVE, Control, Range Selector, See Figure: 06-53
7	87335429	1	COVER, Solenoid

06-41 POWER SHIFT TRANSMISSION - COVERS AND YOKES

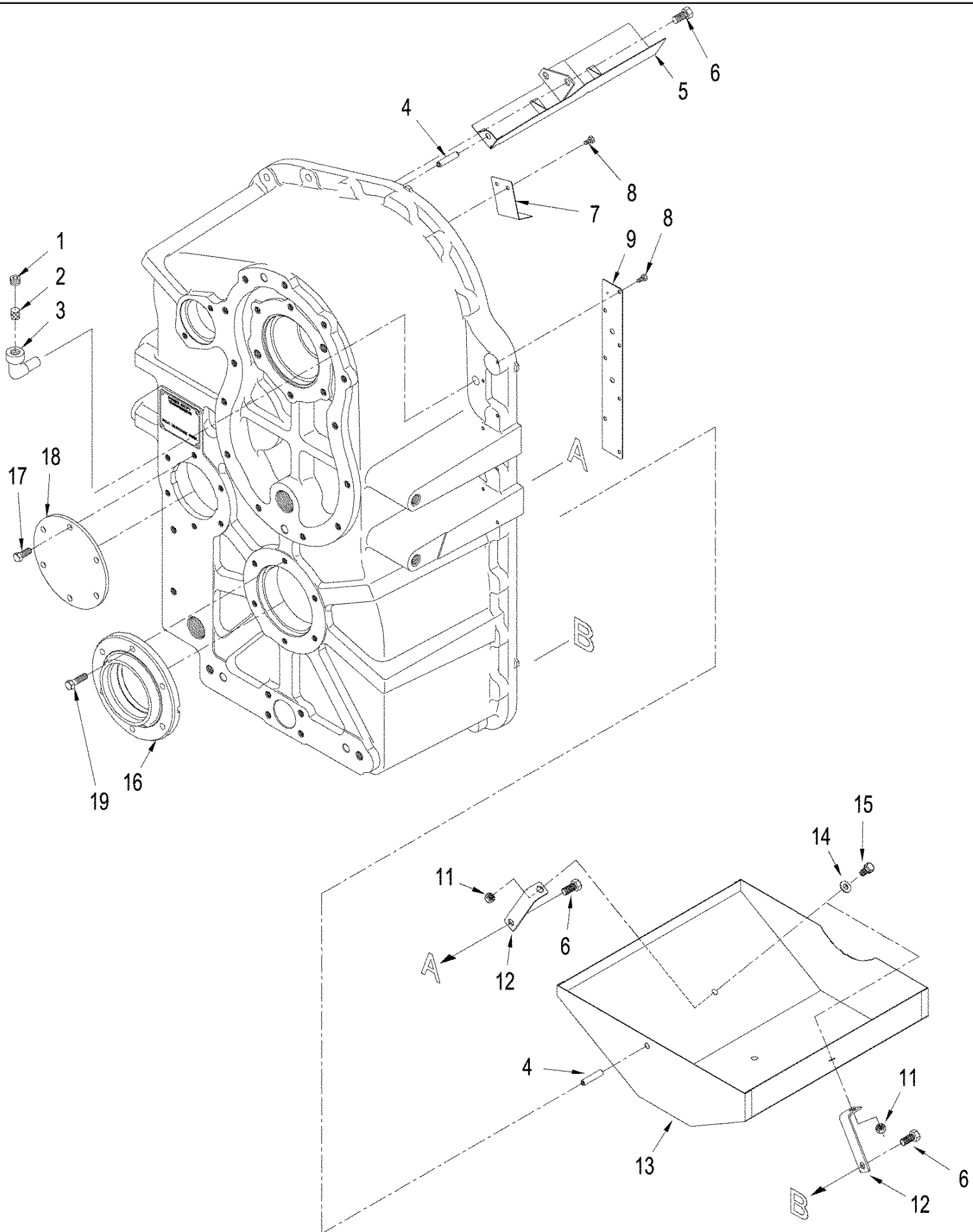


06-41 POWER SHIFT TRANSMISSION - COVERS AND YOKES

сылка	Номер детали	Кол-во	Описание
1	87350466	1	TRANSMISSION HOUSING, Rear
2	87350479	1	HOUSING, Transmission, Front
3	427539A1	1	PLATE, RETAINING,
4	427560A1	AR	SHIM, 0,10 mm (0,004 in)
4	427561A1	AR	SHIM, 0,30 mm (0,012 in)
4	427562A1	AR	SHIM, 0,50 mm (0,020 in)
5	428162A1	1	O-RING,
6	373136A1	1	COUPLING FLANGE, 8C, Input, with 450 Series Axle
6	362563A1	1	COUPLING FLANGE, 8.5C, Input, with 500 Series Axle
7	428159A1	1	SEAL, OIL,
8	362564A1	1	RETAINER, Input
9	362565A1	1	GASKET, Input Retainer
10	359242A1	AR	SHIM, 0,1 mm (0,004 in)
10	359243A1	AR	SHIM, 0,15 mm (0,006 in)
10	359244A1	AR	SHIM, 0,3 mm (0,012 in)
10	359251A1	AR	SHIM, 0,5 mm (0,020 in)
11	362566A1	1	ADAPTER,
12	800-2128	1	RING, SNAP, M28, Int,
13	362567A1	1	COUPLING,
14	428681A1	1	SNAP RING,
15	87542516	1	RETAINER, Second Shaft
16	362569A1	1	GASKET, Mounting, Second Shaft
17	87351326	1	PLATE, Valve
18	87351331	1	GASKET, Valve Plate
19	87351392	1	PLATE, Ditch
20	87351393	1	GASKET, Mounting, Third Shaft
21	362574A1	1	O-RING,
23	87362252	1	RETAINER, Bearing, Third Shaft
24	359252A1	AR	SHIM, 0,1 mm (0,004 in)
24	359253A1	AR	SHIM, 0,15 mm (0,006 in)
24	362576A1	AR	SHIM, 0,3 mm (0,012 in)
24	362577A1	AR	SHIM, 0,5 mm (0,020 in)
25	100-2156	1	RING, SNAP, 0.562", Int, #56,
26	87351399	1	VALVE, MANIFOLD, Clutch
27	362580A1	1	GASKET, Clutch Manifold Valve
28	427564A1	AR	SHIM, 0,10 mm (0,004 in)
28	427565A1	AR	SHIM, 0,15 mm (0,006 in)
28	427566A1	AR	SHIM, 0,30 mm (0,012 in)
28	427567A1	AR	SHIM, 0,50 mm (0,020 in)
28	427568A1	AR	SHIM, 0,70 mm (0,027 in)
29	86637974	4	BOLT, Hex, M12 x 1.25 x 25, 8.8, Full Thd,
30	87351325	1	SEAL, OIL,
31	614-8020	2	BOLT, Hex, M8 x 20, 8.8,
32	87351402	1	PLATE, Valve Retainer
33	427515A1	2	PLATE, RETAINING,

06-41 POWER SHIFT TRANSMISSION - COVERS AND YOKES

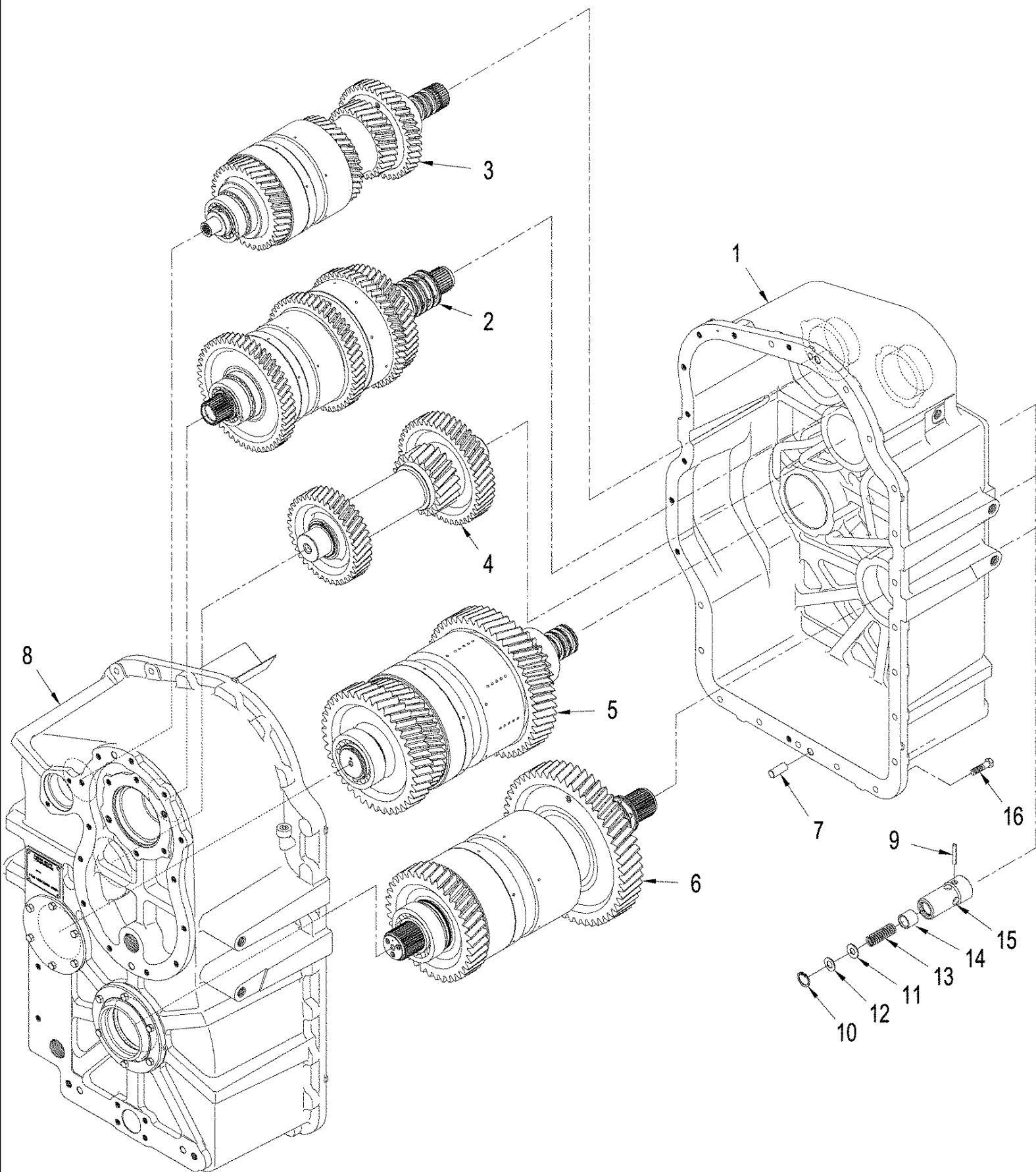
сылка	Номер детали	Кол-во	Описание
34	427517A1	AR	SHIM, 0,10 mm (0,004 in)
34	427519A1	AR	SHIM, 0,30 mm (0,012 in)
35	428165A1	2	O-RING,
36	373137A1	1	COUPLING FLANGE, 8C, Output, with 450 Series Axle
36	362598A1	1	COUPLING FLANGE, 8,5C, Output, with 500 Series Axle
37	362601A1	1	RING, Speed Pick-up
38	427514A1	2	SEAL, OIL,
39	362602A1	1	RETAINER, Output
40	362603A1	1	GASKET, Output Retainer
41	87351323	1	YOKE, 8C, Output, with 450 Series Axle
41	87351322	1	YOKE, 8,5C, Output, with 500 Series Axle
42	427558A1	1	COVER, Power Takeoff
43	303493A1	2	PLUG, Hex Soc, M42 x 2, ORB, Inc. 44
44	86639047	3	O-RING, CI 6, 38.6MM ID x 2.9 Thk,
45	375456A1	1	PLUG, DRAIN, M42 orb x 2, Inc. 46
46	87350436	1	VALVE, CHECK, 4,45 mm
47	220064A1	14	PLUG, M14 x 1.5, ORB, Inc. 50
48	637-63113	1	O-RING, CI 6, 11.3MM ID x 2.2 Thk,
49	514-915	2	BOLT, Hex, M14 x 1.5 x 35, 8.8, Full Thd,
50	86637966	24	BOLT, Hex, M10 x 1.25 x 35, 8.8, Full Thd,
51	140028	6	WASHER, M10,
52	412159	2	BOLT, Hex, M10 x 1.25 x 25, 8.8, Full Thd,
53	86642434	4	BOLT, M10 x 60
54	120106	2	BOLT, Hex, M8 x 40, 8.8, Full Thd,
55	86642438	6	BOLT, Hex, M12 x 1.25 x 35, 10.9, Full Thd,
	178889A1		FITTING, Diagnostic, Inc. 56, 57
56	H434163	1	DUST CAP, Dust
57	NSS	1	NOT SERVICED SEPARATELY, Fitting, Diagnostic, Inc. 62
58	86639042	1	O-RING, CI 6, 11.3MM ID x 2.2 Thk,
59	427559A1	2	SCREW,
60	87357396	1	VALVE, SOLENOID, Pulse with Modulation, Inc. 61 - 63
61	87014033	1	O-RING, -019, CI 7, .801" ID x .070" Thk,
62	238-7016	1	O-RING, -016, CI 7, .614" ID x .070" Thk,
63	238-7015	1	O-RING, -015, CI 7, .551" ID x .070" Thk,



06-42 POWER SHIFT TRANSMISSION - REAR HOUSING

сылка	Номер детали	Кол-во	Описание
1	428156A1	1	PLUG,
2	427524A1	1	BREATHER,
3	370632A1	1	TUBE, Breather
4	838-51040	1	PIN, LOCK, M10 x 40, Slotted, Roll
5	87350473	1	GUTTER, Oil
6	86637974	2	BOLT, Hex, M12 x 1.25 x 25, 8.8, Full Thd,
7	370634A1	1	TROUGH, Second
8	86977726	9	BOLT, Hex, M6 x 12, 8.8,
9	370635A2	1	BAFFLE, Air
10	87350466	1	TRANSMISSION HOUSING, Rear
11	222008	2	NUT, LOCK, M10
12	370637A1	2	BRACKET, Mounting, Oil Baffle
13	87350496	1	BAFFLE, Transmission Oil
14	86624176	2	WASHER, M10 x 20 x 2,
15	86637962	2	BOLT, Hex, M10 x 1.25 x 20, 8.8, Full Thd,
16	87350470	1	RETAINER, Output, Rear
17	514-712	6	BOLT, Hex, M10 x 1.25 x 25, 8.8, Full Thd,
18	87350468	1	COVER, Rear
19	514-730	6	BOLT, Hex, M10 x 1.25 x 35, 8.8, Full Thd,

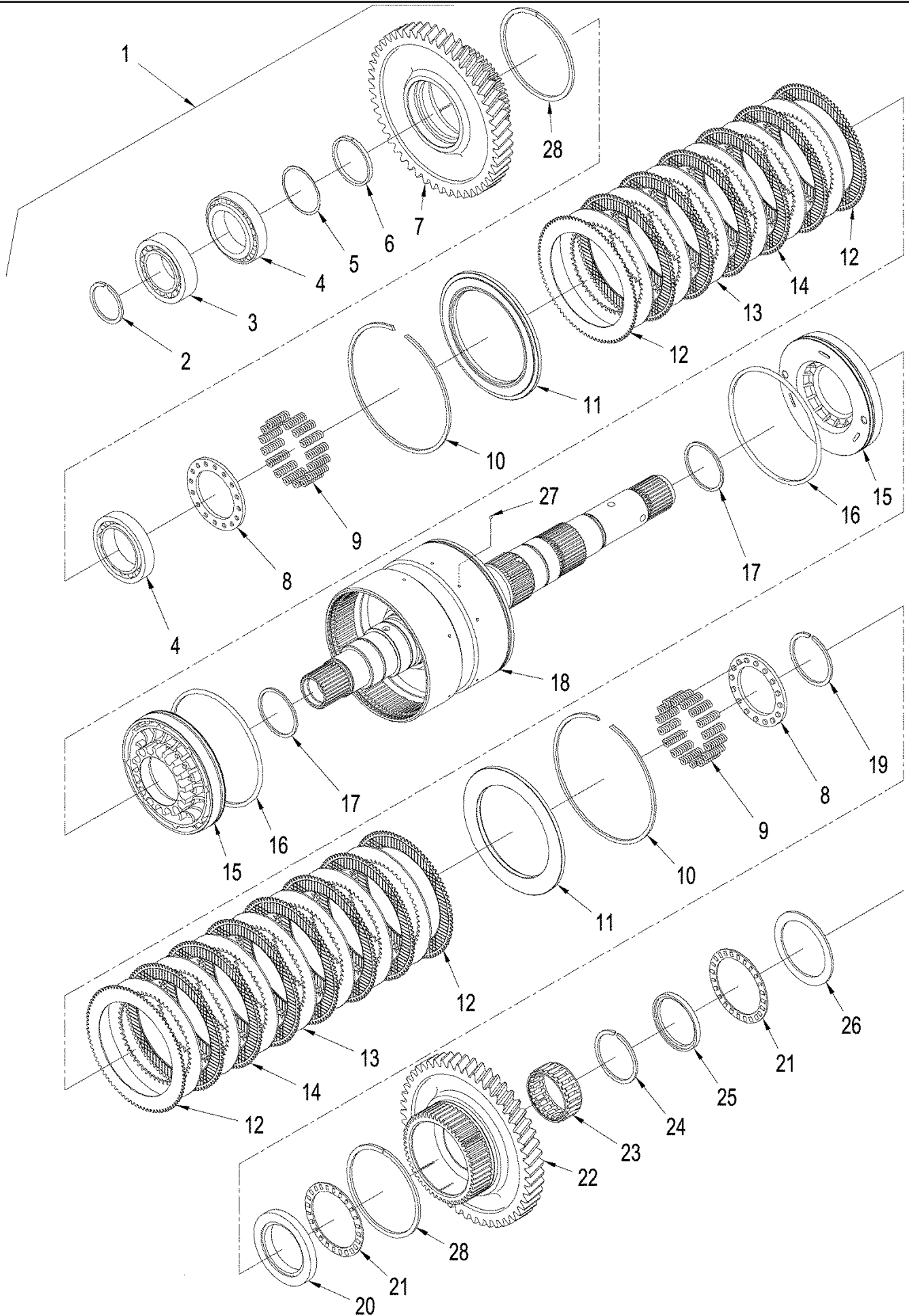
06-43 POWER SHIFT TRANSMISSION - HOUSING AND CLUTCHES



06-43 POWER SHIFT TRANSMISSION - HOUSING AND CLUTCHES

сылка	Номер детали	Кол-во	Описание
1	87350479	1	HOUSING, Front
2	87350228	1	SHAFT, CLUTCH INPUT, Input, 8C, See Figure: 06-44 & 06-45, BSN Z6F202012
2	87552053	1	SHAFT, CLUTCH INPUT, Input, 8C, See Figure: 06-44 & 06-45, ASN Z6F202012
2	87350227	1	SHAFT, CLUTCH INPUT, Input, 8,5C, See Figure: 06-44 & 06-45, BSN Z6F202012
2	87552050	1	SHAFT, CLUTCH INPUT, Input, 8,5C, See Figure(s): 06-44 & 06-45, ASN Z6F202012
3	87350268	1	SHAFT, CLUTCH INPUT, Second, 8C, See Figure: 06-46
3	87350264	1	SHAFT, CLUTCH INPUT, Second, 8,5C, See Figure: 06-46
4	REF	1	INSTRUCTION, Shaft, Third, See Figure: 06-47
5	87350312	1	SHAFT, CLUTCH INPUT, Fourth, 8C, See Figure(s): 06-48 & 06-49
5	87350309	1	SHAFT, CLUTCH INPUT, Fourth, 8,5C, See Figure(s): 06-48 & 06-49
6	87350349	1	SHAFT, CLUTCH INPUT, Fifth, 8C, See Figure(s): 06-50 & 06-51
6	87350342	1	SHAFT, CLUTCH INPUT, Fifth, 8,5C, See Figure(s): 06-50 & 06-51
7	427530A1	2	DOWEL,
8	87350466	1	TRANSMISSION HOUSING, Rear
9	86642455	4	PIN, Roll
10	370025	4	RING, SNAP, M12, Int, Retaining
11	86625261	4	WASHER, M5 x 10 x 1,
12	370542A1	4	SHIM,
13	370543A1	4	SPRING, Check Valve
14	370544A1	4	SPOOL, Drain
15	370545A1	4	CAP, Press
16	86642435	25	BOLT, Hex, M12 x 1.25 x 45, 8.8, Full Thd,

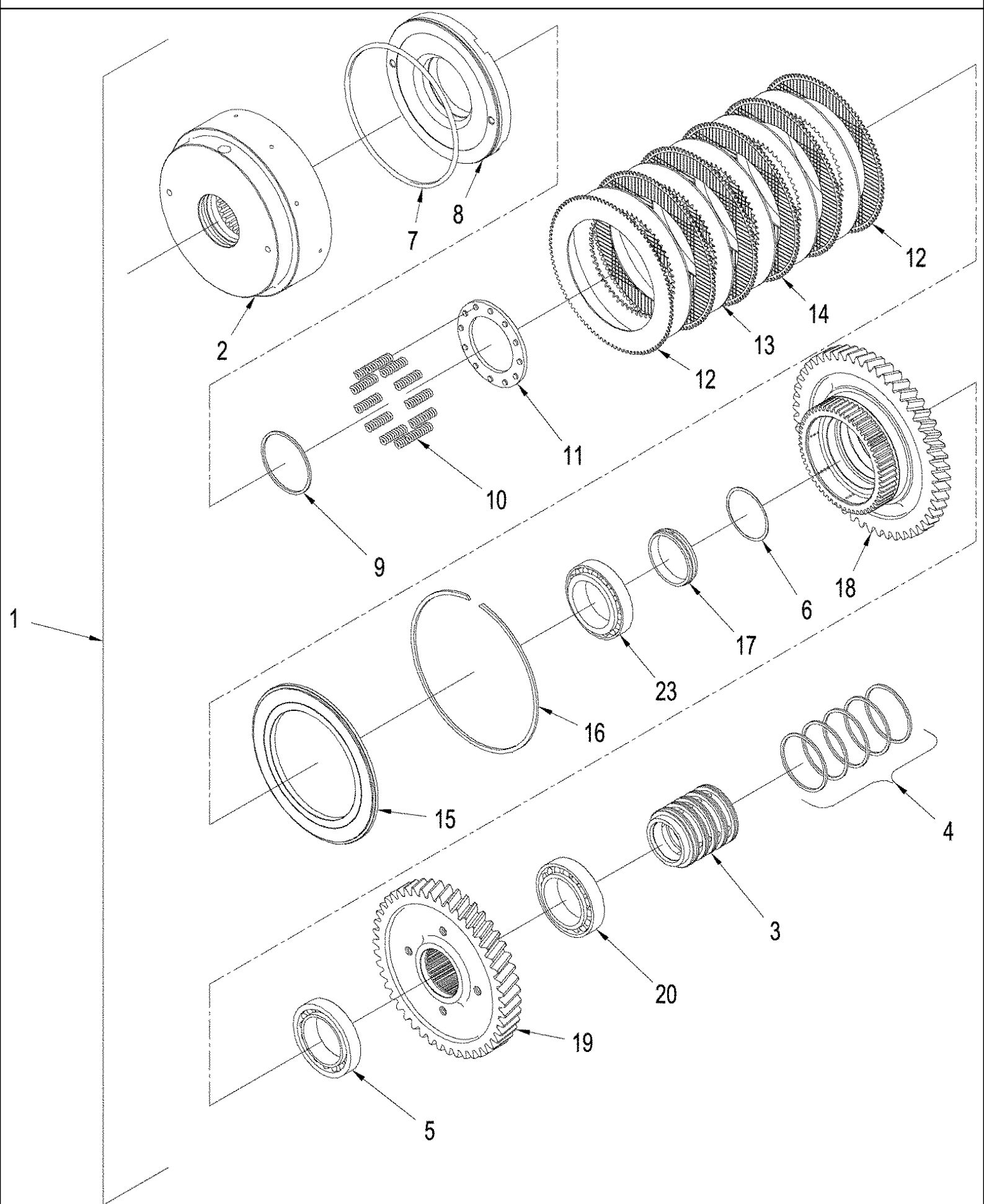
06-44 POWER SHIFT TRANSMISSION - INPUT SHAFT ASSY



06-44 POWER SHIFT TRANSMISSION - INPUT SHAFT ASSY

сылка	Номер детали	Кол-во	Описание
1	87552053	1	SHAFT, CLUTCH INPUT, 8C, Inc. 2 - 28, Also, See Figure: 06-45
1	87552050	1	SHAFT, CLUTCH INPUT, 8,5C, Inc. 2 - 28, Also See Figure: 06-45
2	352378A1	AR	SNAP RING, 2,5 mm
2	352394A1	AR	SNAP RING, 2,6 mm
2	352397A1	AR	SNAP RING, 2,7 mm
2	352400A1	AR	SNAP RING, 2,8 mm
2	352815A1	AR	SNAP RING, 2,9 mm
2	352816A1	AR	SNAP RING, 3,0 mm
3	428183A1	1	BEARING, Cone
4	E135785	4	BEARING, Roller
5	352818A1	AR	SHIM, 0,15 mm
5	352819A1	AR	SHIM, 0,18 mm
5	352820A1	AR	SHIM, 0,20 mm
5	352821A1	AR	SHIM, 0,25 mm
5	352822A1	AR	SHIM, 0,30 mm
5	352823A1	AR	SHIM, 0,50 mm
6	352825A1	1	SPACER,
7	87350229	1	GEAR, 1R
8	87350230	2	PLATE, Springs
9	362616A1	32	SPRING, Return
10	352829A1	2	SNAP RING,
11	87350231	2	PLATE, Clutch End, 8C
11	87431390	2	PLATE, Clutch End, 8,5C
12	352831A1	4	DISC, CLUTCH, Face, 7"
13	S2080S00F	AR	DISC, CLUTCH, 2,4 mm, If Used
13	S2090S00F	AR	DISC, CLUTCH, 2,1 mm, If Used.
14	352832A1	11-13	DISC, CLUTCH, Face, 7"
15	87350236	2	PISTON, 7"
16	87431391	2	RING, Seal
17	S2610S00F	2	RING, Piston
18	87350255	1	SHAFT, Drum, Input, 8C
18	87350251	1	SHAFT, Drum, Input, 8,5C
19	428163A1	1	SNAP RING, Retaining
20	353059A1	1	WASHER, THRUST,
21	87640391	2	BEARING, NEEDLE, Needle
22	87350258	1	GEAR, 1M
23	87350260	1	BEARING, NEEDLE, Cone
24	358866A1	1	SNAP RING,
25	358867A1	1	SPACER,
26	358908A1	1	WASHER, THRUST,
27	S14701960	1	BALL,
28	87431394	2	RING, Seal

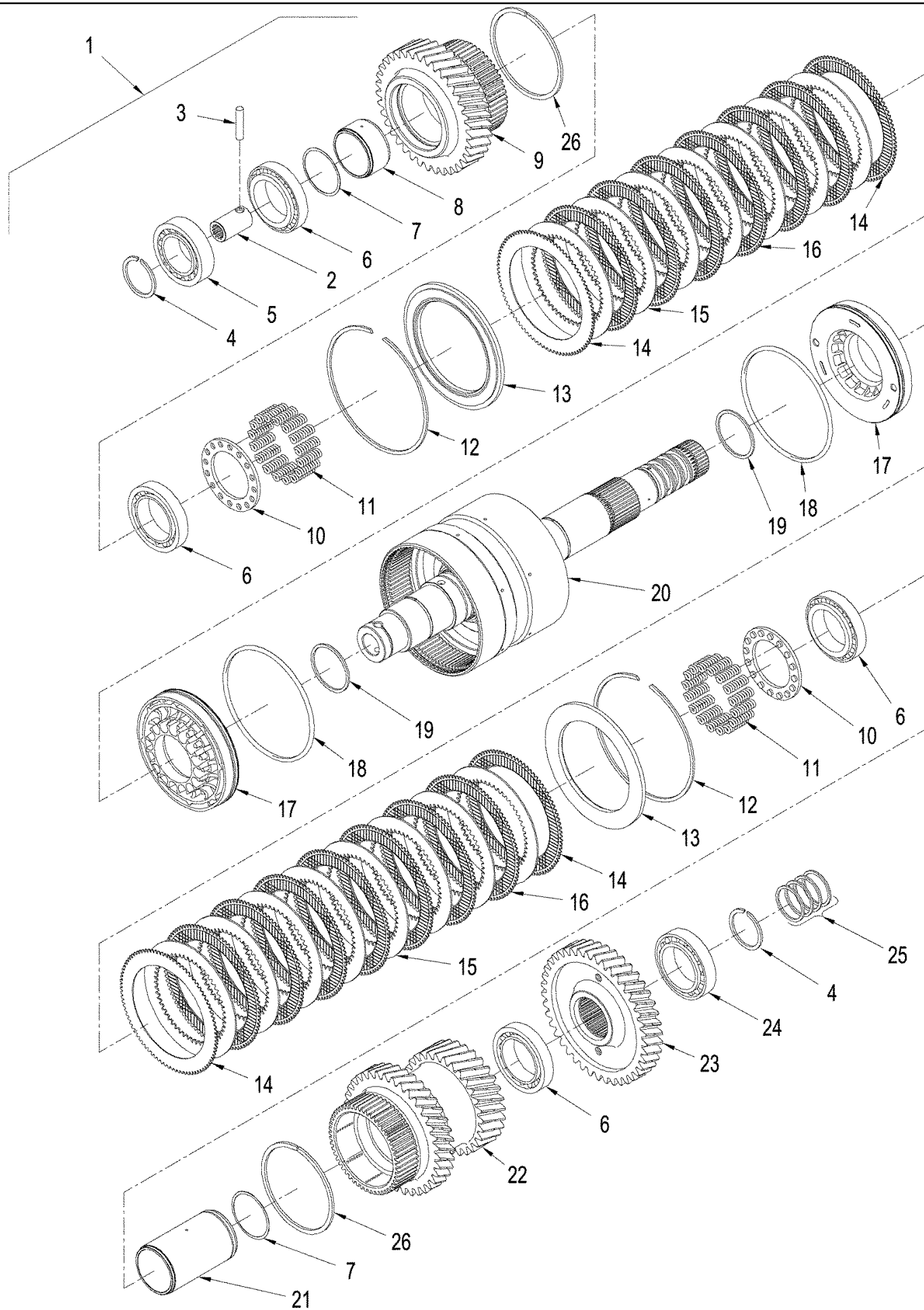
06-45 POWER SHIFT TRANSMISSION - INPUT SHAFT ASSY



06-45 POWER SHIFT TRANSMISSION - INPUT SHAFT ASSY

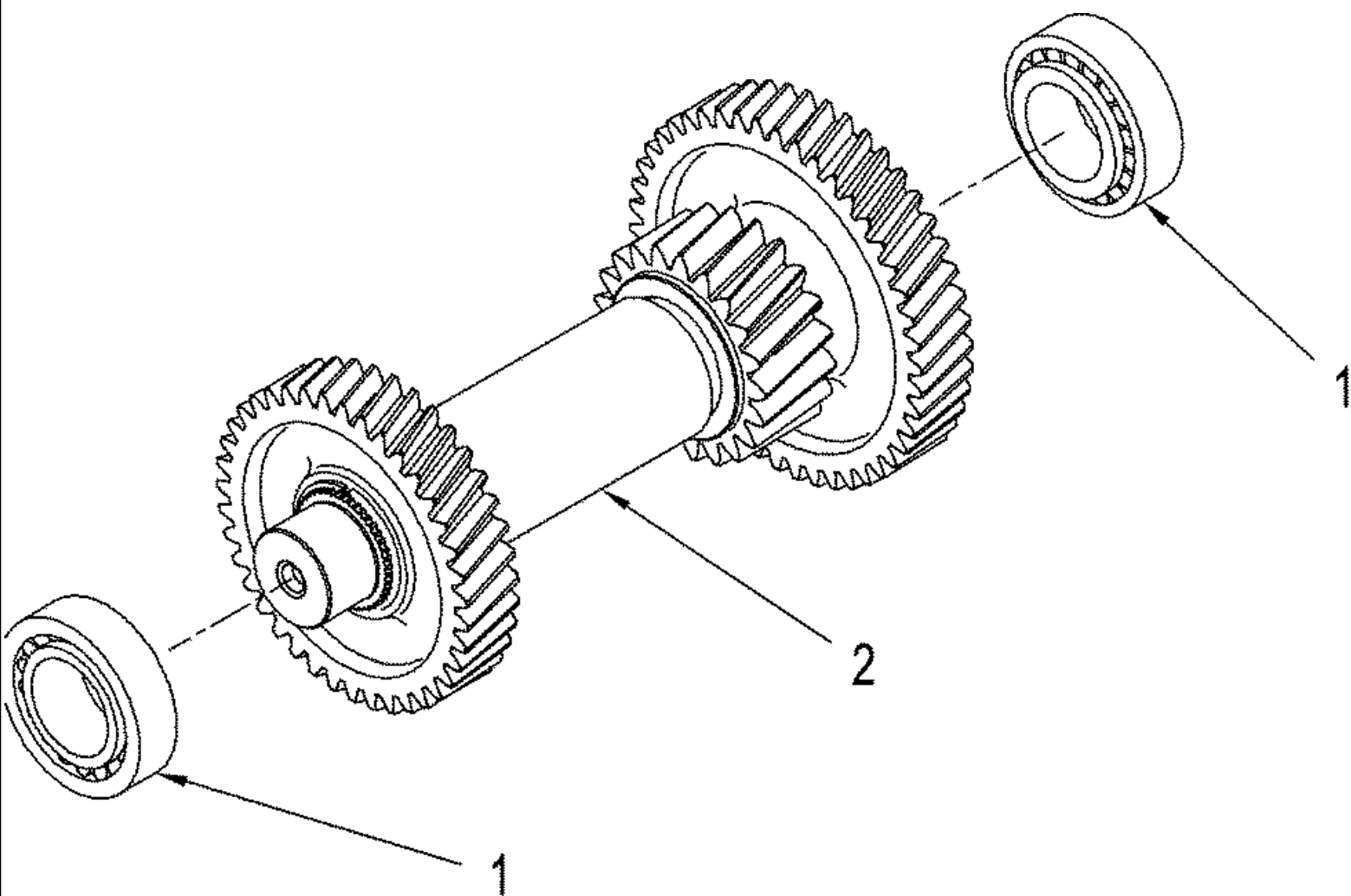
сылка	Номер детали	Кол-во	Описание
1	87552053	1	SHAFT, CLUTCH INPUT, 8C, Inc. 2 - 25, Also See Figure: 06-44
1	87552050	1	SHAFT, CLUTCH INPUT, 8,5C, Inc. 2 - 25, Also See Figure: 06-44
2	87552054	1	DRUM, 1F, Clutch
3	359207A1	1	CARRIER, Seal
4	S4150S00F	5	RING, Seal
5	E135785	2	BEARING, Roller
6	352818A1	AR	SHIM, 0,15 mm
6	352819A1	AR	SHIM, 0,18 mm
6	352820A1	AR	SHIM, 0,20 mm
6	352821A1	AR	SHIM, 0,25 mm
6	352822A1	AR	SHIM, 0,30 mm
6	352823A1	AR	SHIM, 0,50 mm
7	87431391	1	RING, Seal
8	87552055	1	PISTON,
9	S5510S00F	1	RING,
10	358971A1	20	SPRING, Return
11	87552056	1	SPRING, Plate
12	370555A1	2	DISC, CLUTCH, Face
13	S4110S00F	5	DISC, CLUTCH, 2,1 mm
13	S4070S00F	5	DISC, CLUTCH, 2,4 mm
14	370556A1	4	DISC, CLUTCH, Face, 8
15	442803A1	1	PLATE, End
16	428108A1	1	SNAP RING,
17	359203A1	1	SPACER, 1F Bearing
18	359204A1	1	GEAR, 1F
19	87350261	1	GEAR, DRIVING,
20	533725R91	1	BEARING, Roller

06-46 POWER SHIFT TRANSMISSION - SECOND SHAFT ASSY



06-46 POWER SHIFT TRANSMISSION - SECOND SHAFT ASSY

сылка	Номер детали	Кол-во	Описание
1	87350268	1	SHAFT, CLUTCH INPUT, Second, 8C, Inc. 2 - 26
1	87350264	1	SHAFT, CLUTCH INPUT, Second, 8,5C, Inc. 2 - 26
2	428673A1	1	COUPLING, SPLINED,
3	428674A1	1	DOWEL,
4	352378A1	AR	SNAP RING, 2,5 mm
4	352394A1	AR	SNAP RING, 2,6 mm
4	352397A1	AR	SNAP RING, 2,7 mm
4	352400A1	AR	SNAP RING, 2,8 mm
4	352815A1	AR	SNAP RING, 2,9 mm
4	352816A1	AR	SNAP RING, 3,0 mm
5	428183A1	1	BEARING, Roller
6	E135785	4	BEARING, Roller
7	352818A1	AR	SHIM, 0,15 mm
7	352819A1	AR	SHIM, 0,18 mm
7	352820A1	AR	SHIM, 0,20 mm
7	352821A1	AR	SHIM, 0,25 mm
7	352822A1	AR	SHIM, 0,30 mm
7	352823A1	AR	SHIM, 0,50 mm
8	87350273	1	SPACER, Bearing
9	87350277	1	GEAR, 2R
10	87350230	2	PLATE, Spring
11	362616A1	32	SPRING, Return
12	352829A1	2	SNAP RING,
13	87350231	2	PLATE, Clutch End, 8C
13	87431390	2	PLATE, Clutch End, 8,5C
14	352831A1	4	DISC, CLUTCH, Face, 7"
15	S2080S00F	AR	DISC, CLUTCH, 2,4 mm, If Used
15	S2090S00F	AR	DISC, CLUTCH, 2,1 mm, If Used.
16	352832A1	11-13	DISC, CLUTCH, Face, 7"
17	87350236	2	PISTON, 7"
18	87431391	2	RING, Seal
19	S2610S00F	2	RING, Piston
20	87350301	1	SHAFT, Drum, 8C
20	87350293	1	SHAFT, Drum, 8,5C
21	87350305	1	SPACER, 2F Bearing
22	87350306	1	GEAR, 2M
23	87350307	1	GEAR, DRIVEN,
24	359206A1	1	BEARING, ROLLER, TAPERED,
25	S3070S00F	4	RING, Seal
26	87431394	2	RING, Seal

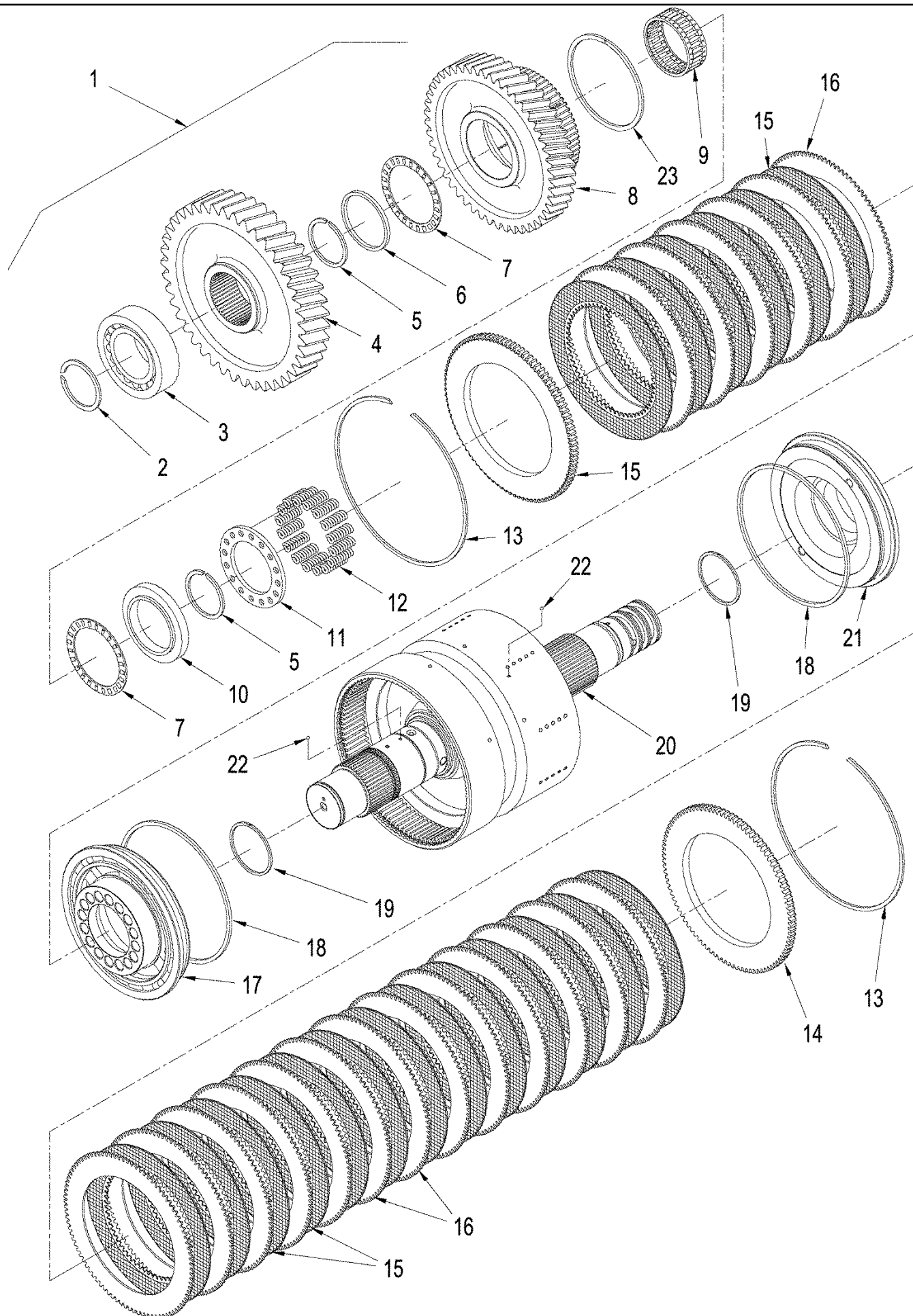


T9040 4WD TRACTOR, ASN (8/07-) - Power Train

06-47 POWER SHIFT TRANSMISSION - THIRD SHAFT ASSY

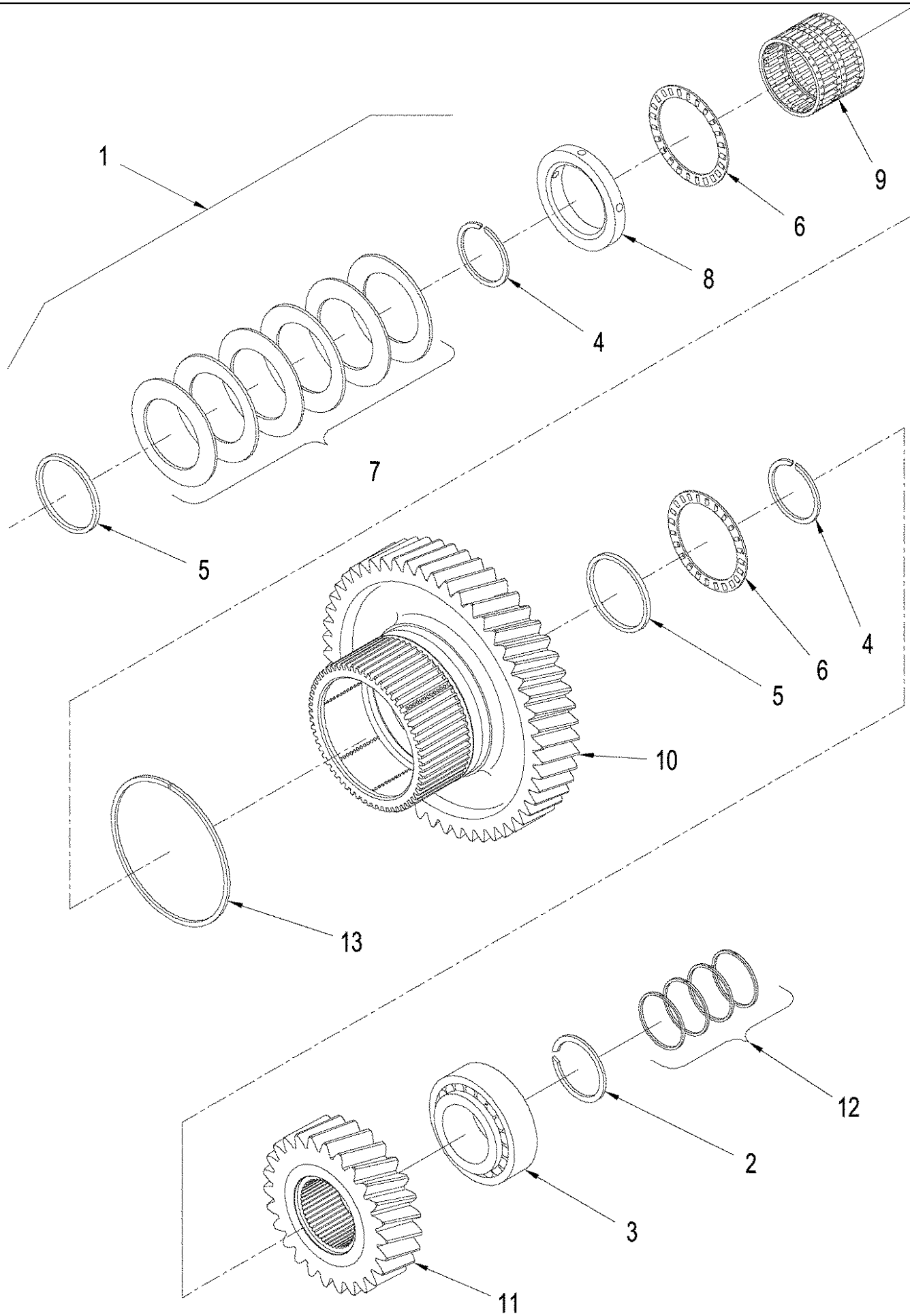
сылка	Номер детали	Кол-во	Описание
1	87431397	2	BEARING, Roller
2	87350476	1	SHAFT, GEAR, Third

06-48 POWER SHIFT TRANSMISSION - FOURTH SHAFT ASSY



06-48 POWER SHIFT TRANSMISSION - FOURTH SHAFT ASSY

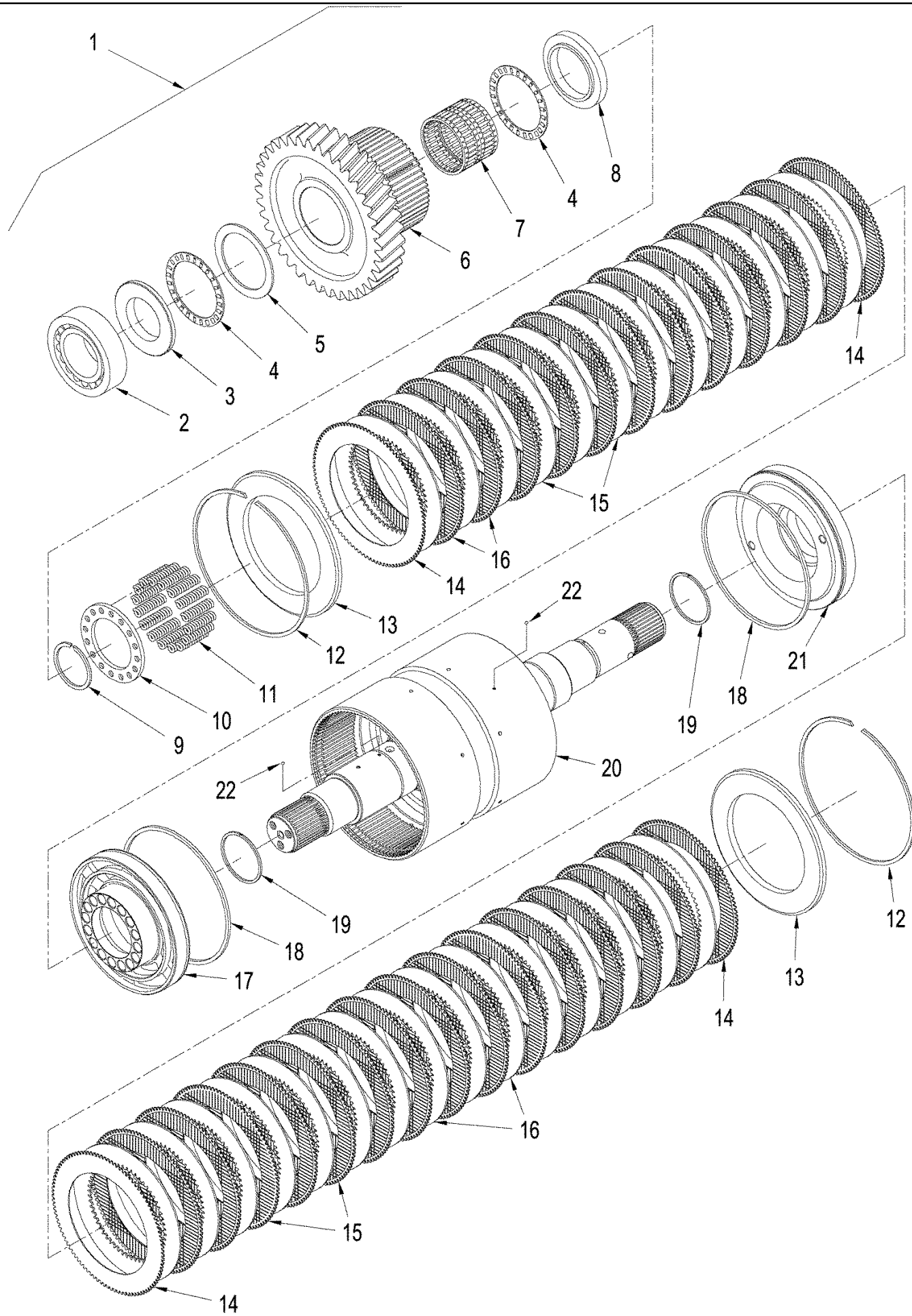
сылка	Номер детали	Кол-во	Описание
1	87350312	1	SHAFT, CLUTCH INPUT, Fourth, 8C, Inc. 2 - 23, Also See Figure: 06-49
1	87350309	1	SHAFT, CLUTCH INPUT, Fourth, 8,5C, Inc. 2 - 23, Also See Figure: 06-49
2	427674A1	AR	SHIM, Retaining, 2,50 mm
2	427675A1	AR	SHIM, Retaining, 2,60 mm
2	427676A1	AR	SHIM, Retaining, 2,70 mm
2	427678A1	AR	SHIM, Retaining, 2,80 mm
2	427679A1	AR	SHIM, Retaining, 2,90 mm
2	427680A1	AR	SHIM, Retaining, 3,00 mm
3	428675A1	2	BEARING, Roller
4	87350315	1	GEAR, DRIVING,
5	S5040S00F	4	RING, Retaining
6	362611A1	3	SPACER, Needle Bearing
7	87640391	4	BEARING, NEEDLE,
8	87350316	1	GEAR, DRIVEN,
9	87350319	1	BEARING, NEEDLE,
10	87350321	1	WASHER, THRUST,
11	362615A1	1	PLATE, Spring Retainer
12	362616A1	16	SPRING, Return
13	359235A1	2	SNAP RING,
14	87350325	2	PLATE, END, Clutch End, 8C
14	362617A1	2	PLATE, Clutch End, 8,5C
15	362618A1	19	DISC, CLUTCH, Face
16	362628A1	AR	DISC, CLUTCH, 2,4 mm, Steel, If Used
16	362629A1	AR	DISC, CLUTCH, 2,6 mm, Steel, If Used
17	364822A1	1	PISTON, 9" RR Clutch
18	87431400	2	RING, Seal
19	S4410S00F	2	RING, Seal
20	87350328	1	SHAFT, Drum, 8C
20	87350326	1	SHAFT, Drum, 8,5C
21	364825A1	1	PISTON, 9" FR Clutch
22	S14701960	2	BALL,
23	392073A1	2	SEALRING,



06-49 POWER SHIFT TRANSMISSION - FOURTH SHAFT ASSY

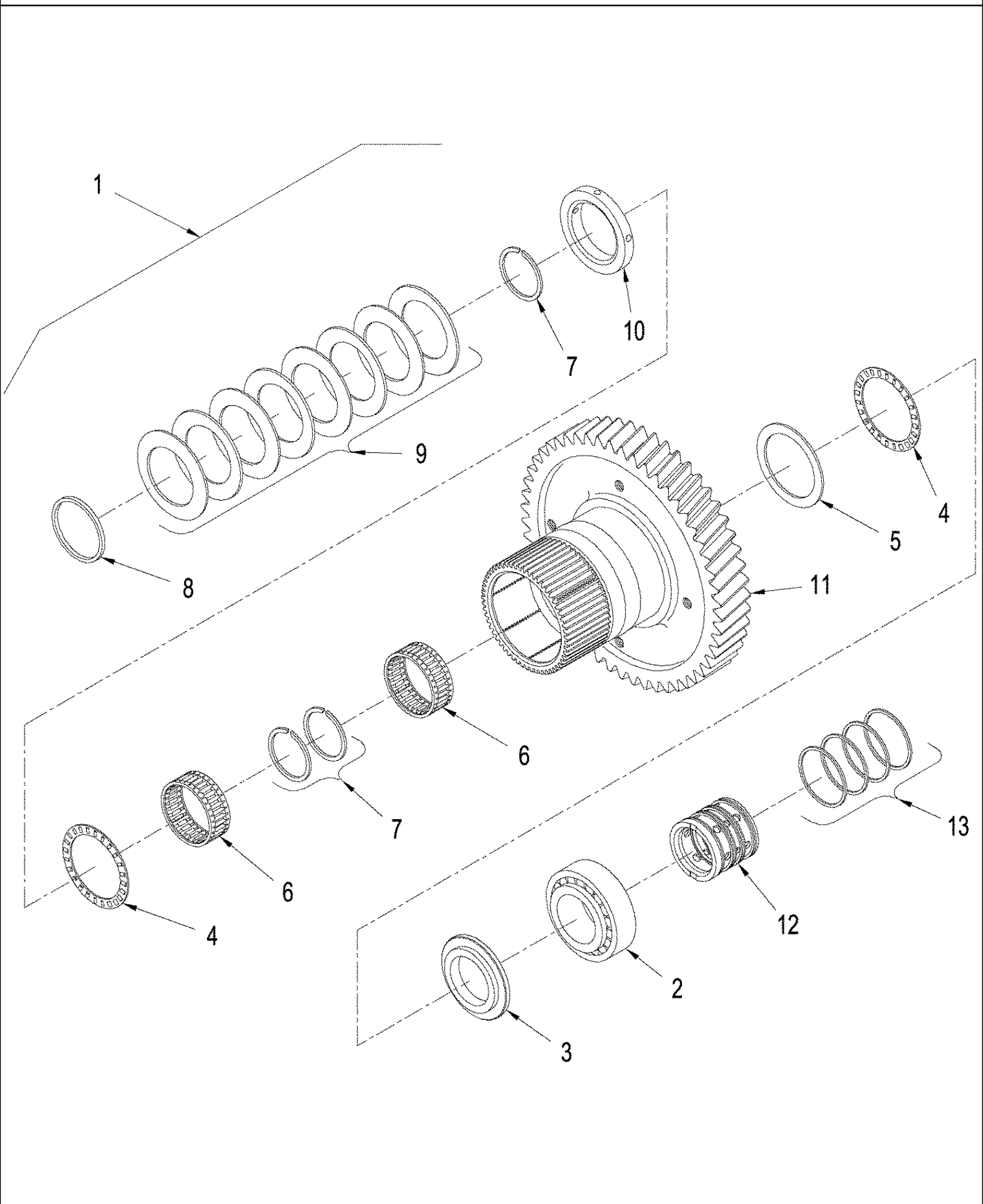
сылка	Номер детали	Кол-во	Описание
1	87350312	1	SHAFT, CLUTCH INPUT, Fourth, Inc. 1 - 12, Also See Figure: 06-48
1	87350309	1	SHAFT, CLUTCH INPUT, Fourth, Inc. 2 - 13, Also See Figure: 06-48
2	427674A1	AR	SHIM, Retaining, 2,50 mm
2	427675A1	AR	SHIM, Retaining, 2,60 mm
2	427676A1	AR	SHIM, Retaining, 2,70 mm
2	427678A1	AR	SHIM, Retaining, 2,80 mm
2	427679A1	AR	SHIM, Retaining, 2,90 mm
2	427680A1	AR	SHIM, Retaining, 3,00 mm
3	428675A1	2	BEARING, Roller
4	S5040S00F	4	RING, Retaining
5	362611A1	3	SPACER, Needle Bearing
6	87640391	4	BEARING, NEEDLE,
7	364826A1	6	PLATE, Spring
8	87350331	1	WASHER, THRUST,
9	S5070S00F	2	BEARING, NEEDLE,
10	87350334	1	GEAR, DRIVEN, 4F
11	87350339	1	GEAR, DRIVING, 4F
12	87431401	4	RING, Seal
13	392073A1	1	SEALRING,

06-50 POWER SHIFT TRANSMISSION - FIFTH SHAFT ASSY



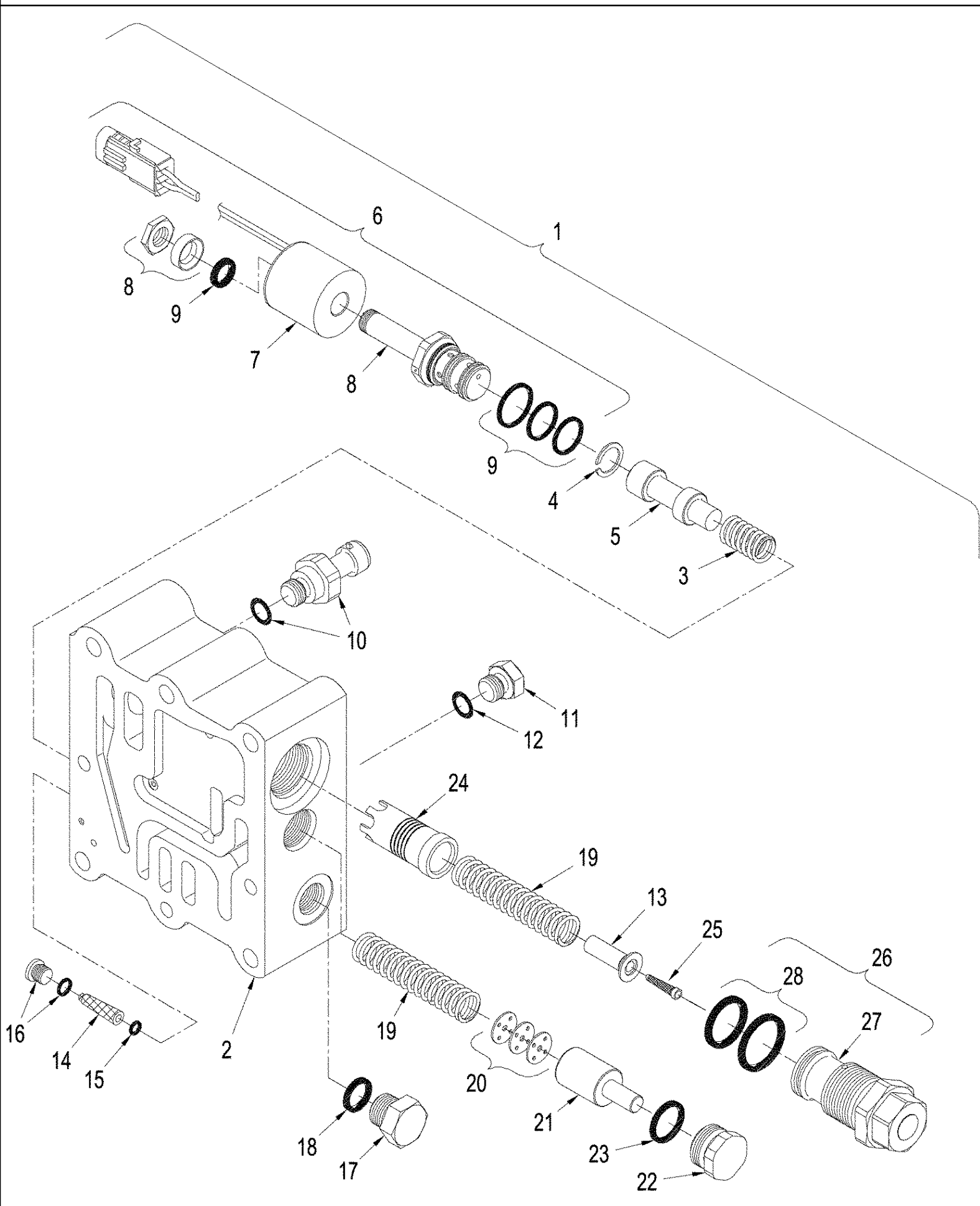
06-50 POWER SHIFT TRANSMISSION - FIFTH SHAFT ASSY

сылка	Номер детали	Кол-во	Описание
1	87350349	1	SHAFT, CLUTCH INPUT, Fifth, 8C, Inc. 2 - 22, Also See Figure: 06-51
1	87350342	1	SHAFT, CLUTCH INPUT, Fifth, 8,5C, 2 - 22, Also See Figure: 06-51
2	428675A1	1	BEARING, Roller
3	364831A1	1	WASHER, THRUST,
4	87640391	2	BEARING, NEEDLE,
5	358908A1	1	WASHER, THRUST,
6	87350355	1	GEAR, DRIVEN, 5R
7	S5070S00F	1	BEARING, NEEDLE,
8	87350321	1	WASHER, THRUST,
9	S5040S00F	4	RING, Retaining
10	362615A1	1	PLATE, Spring Retaining
11	364833A1	16	SPRING, Return
12	428108A1	2	SNAP RING,
13	87350360	2	PLATE, 8C
13	370554A1	2	DISC, CLUTCH, 8,5C
14	370555A1	4	DISC, CLUTCH, Face
15	S4070S00F	AR	DISC, CLUTCH, 2,4 mm, If Used
15	S4110S00F	AR	DISC, CLUTCH, 2,1 mm, If Used
16	370556A1	25	DISC, CLUTCH, 8", Face
17	370558A1	1	PISTON, 8" RR Clutch
18	87431400	2	RING, Seal
19	S4410S00F	2	RING, Seal
20	87350368	1	SHAFT, Drum, 8C
20	87350363	1	SHAFT, Drum, 8,5C
21	370562A1	1	PISTON, 8" RR Clutch
22	S14701960	2	BALL,



06-51 POWER SHIFT TRANSMISSION - FIFTH SHAFT ASSY

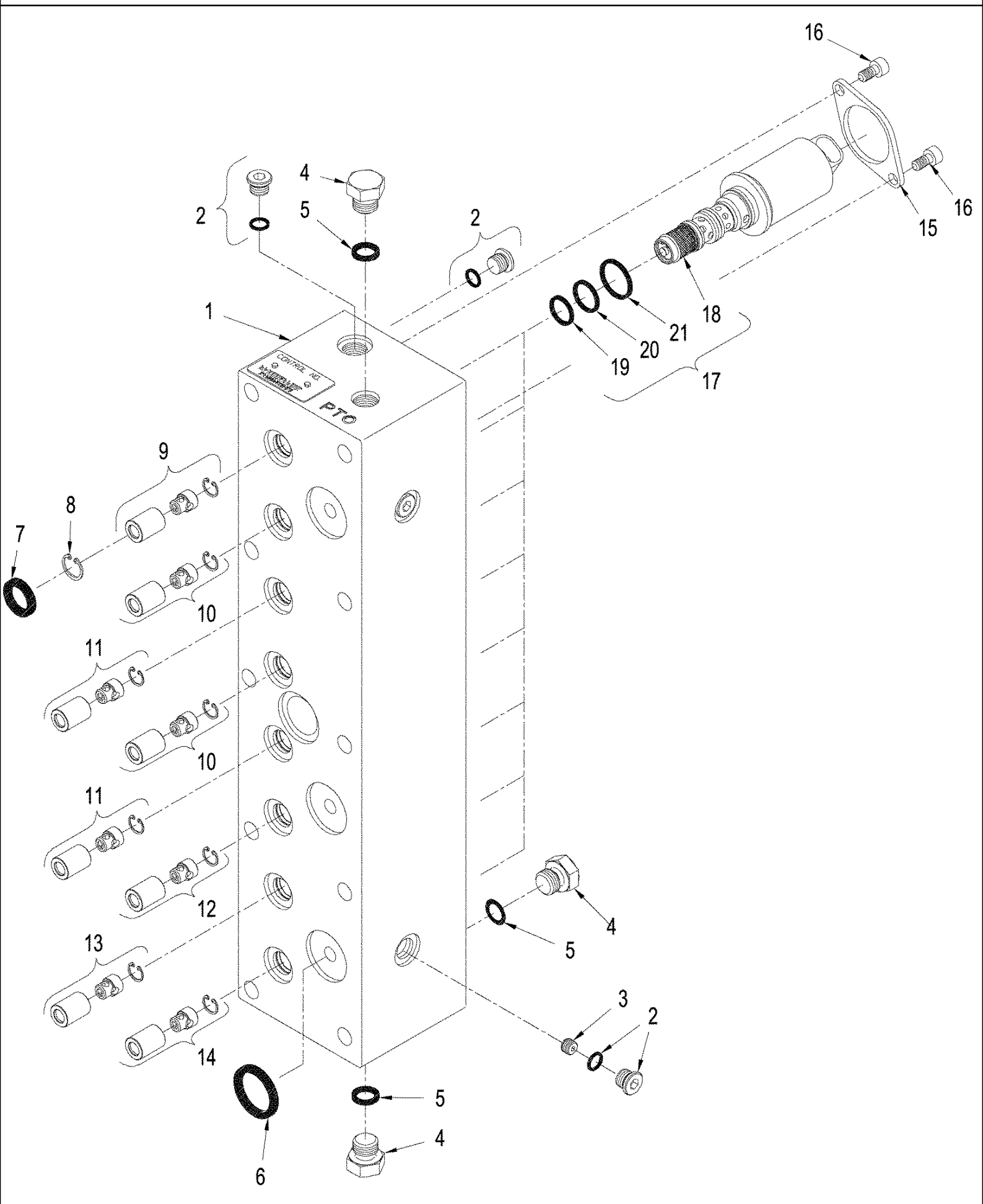
сылка	Номер детали	Кол-во	Описание
1	87350349	1	SHAFT, CLUTCH INPUT, Fifth, 8C, Inc. 2 - 13, Also See Figure: 06-50
1	87350342	1	SHAFT, CLUTCH INPUT, Fifth, 8,5C, Inc. 2 - 13, Also See Figure: 06-50
2	428675A1	1	BEARING, Roller
3	364831A1	1	WASHER, THRUST,
4	87640391	2	BEARING, NEEDLE,
5	358908A1	1	WASHER, THRUST,
6	S5070S00F	1	BEARING, NEEDLE,
7	S5040S00F	4	RING, Retaining
8	362611A1	1	SPACER, Needle Bearing
9	364826A1	8	PLATE, Spring
10	87350331	1	WASHER, THRUST,
11	87350374	1	GEAR, DRIVEN, 5F
12	370568A1	1	CARRIER, Piston
13	S4150S00F	4	RING, Seal



06-52 POWER SHIFT TRANSMISSION - REGULATOR VALVE ASSY

сылка	Номер детали	Кол-во	Описание
1	87350388	1	VALVE, Regulator, Inc. 2 - 26
2	NSS	1	NOT SERVICED SEPARATELY, Body, Valve
3	370596A1	1	SPRING,
4	428679A1	1	SNAP RING,
5	370597A1	1	SPOOL,
6	371737A1	1	VALVE, SOLENOID, 3-way, Inc. 7 - 9
7	371739A1	2	COIL, Three Way Solenoid
8	NSS	1	NOT SERVICED SEPARATELY, Pilot Assy.
9	371738A1	1	KIT, O-Ring
10	404450A1	1	SENSOR, Pressure
11	220064A1	1	PLUG, M14 x 1.5, ORB, Inc. 12
12	86639042	1	O-RING, CI 6, 11.3MM ID x 2.2 Thk,
13	87350417	1	COVER, FILTER, Relief
14	87408714	1	FILTER, Conical
15	428676A1	1	O-RING,
16	428678A1	1	PLUG, Inc. O-Ring
17	220066A1	1	PLUG, M18 x 1.5, ORB, Inc. 18
18	86639043	1	O-RING,
19	398443A1	2	SPRING,
20	398445A1	AR	SHIM,
21	398444A1	1	VALVE, Lube Spool
22	87431407	1	PLUG, Inc. 23
23	87431408	1	O-RING,
24	87350419	1	SPOOL, Main Pressure
25	87362229	1	SCREEN, FILTER,
26	87350395	1	VALVE, PILOT, Assy., Inc. 27 - 28
27	NSS	1	NOT SERVICED SEPARATELY, Valve, Pilot
28	87350407	1	KIT, O-Ring

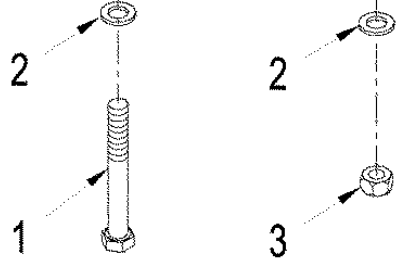
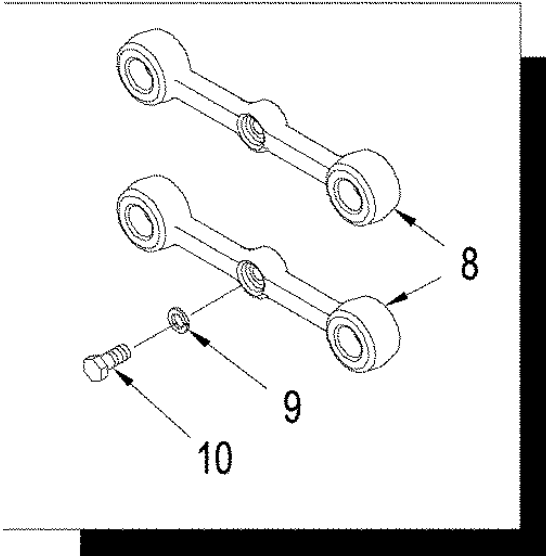
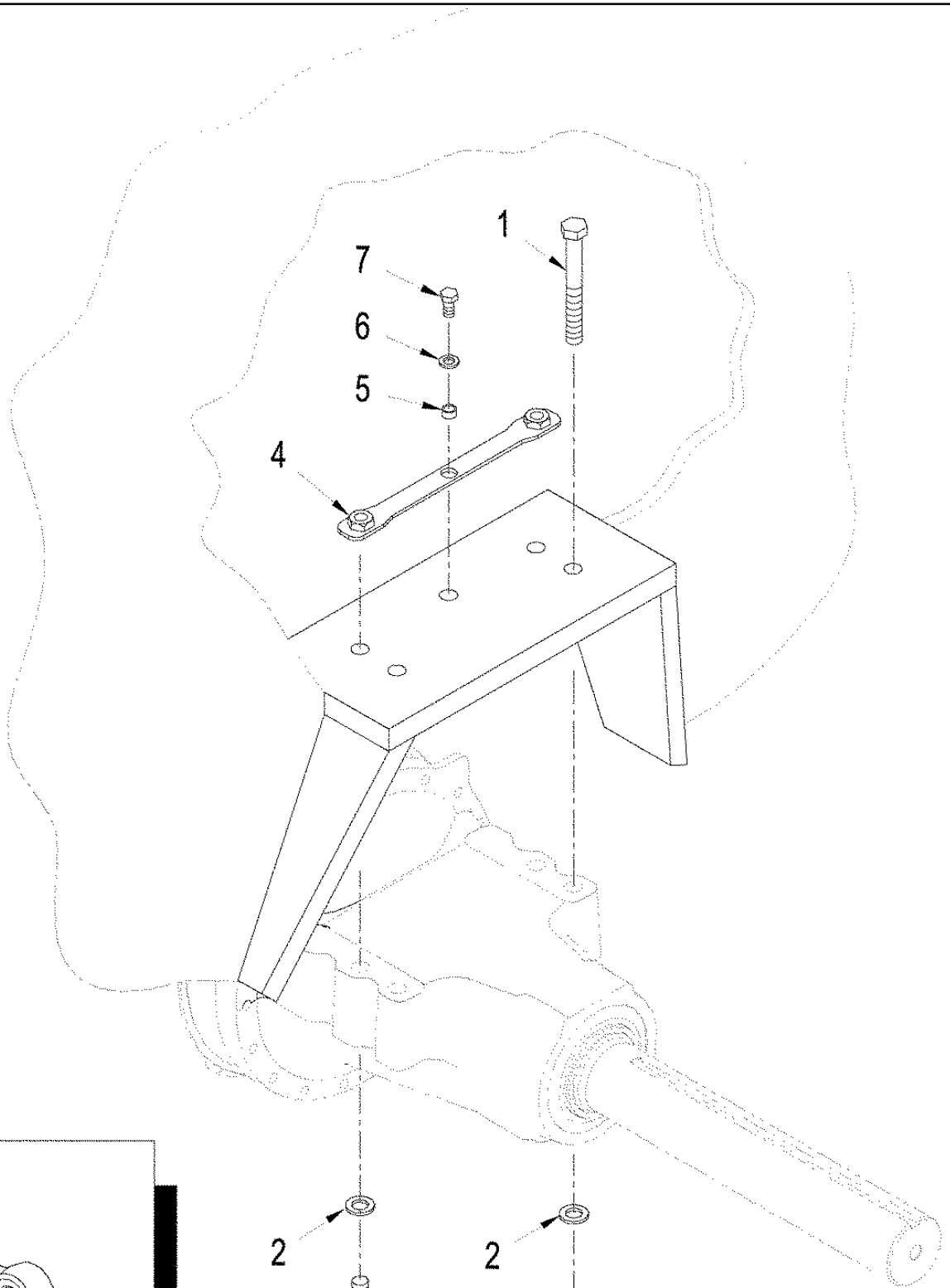
06-53 POWER SHIFT TRANSMISSION - RANGE SELECTOR VALVE



06-53 POWER SHIFT TRANSMISSION - RANGE SELECTOR VALVE

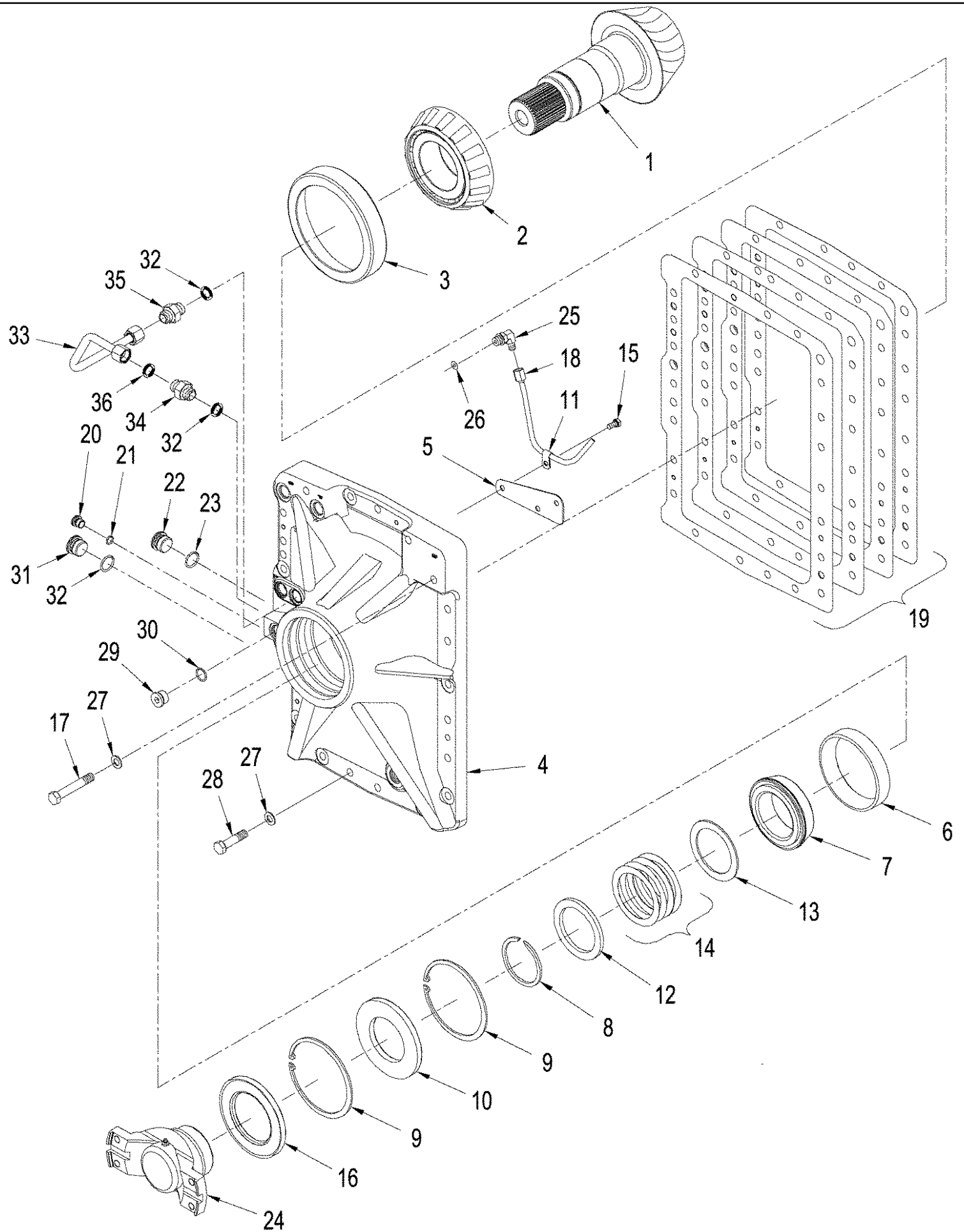
сылка	Номер детали	Кол-во	Описание
	87350421	1	VALVE, Range Selector, Inc. 1 - 17
1	NSS	1	NOT SERVICED SEPARATELY, Body, Valve
2	87350425	7	PLUG, STOP,
3	87350428	2	ORIFICE,
4	220064A1	10	PLUG, M14 x 1.5, ORB, Inc. 5
5	86639042	1	O-RING, CI 6, 11.3MM ID x 2.2 Thk,
6	238-5214	4	O-RING, -214, 70 Duro, .984" ID x .139" Thk,
7	238-5208	8	O-RING, -208, 70 Duro, .609" ID x .139" Thk,
8	100-2156	8	RING, SNAP, 0.562", Int, #56,
9	87350429	1	VALVE, CHECK, 3,45 mm
10	87350431	2	VALVE, CHECK, 2,51 mm
11	87350432	2	VALVE, CHECK, 2,36 mm
12	87350433	1	VALVE, CHECK, 2,82 mm
13	87350434	1	VALVE, CHECK, 5,54 mm
14	87350435	1	VALVE, CHECK, 4,80 mm
15	87350463	8	PLATE, Valve Retainer
16	864-6012	16	SCREW, Hex Soc Hd, M6 x 12, 8.8,
17	87357396	8	VALVE, SOLENOID, PWM, 18 - 21
18	NSS	1	NOT SERVICED SEPARATELY, Body, Valve
19	87014033	1	O-RING, -019, CI 7, .801" ID x .070" Thk,
20	238-7016	1	O-RING, -016, CI 7, .614" ID x .070" Thk,
21	238-7015	1	O-RING, -015, CI 7, .551" ID x .070" Thk,

06-54 AXLE MOUNTING



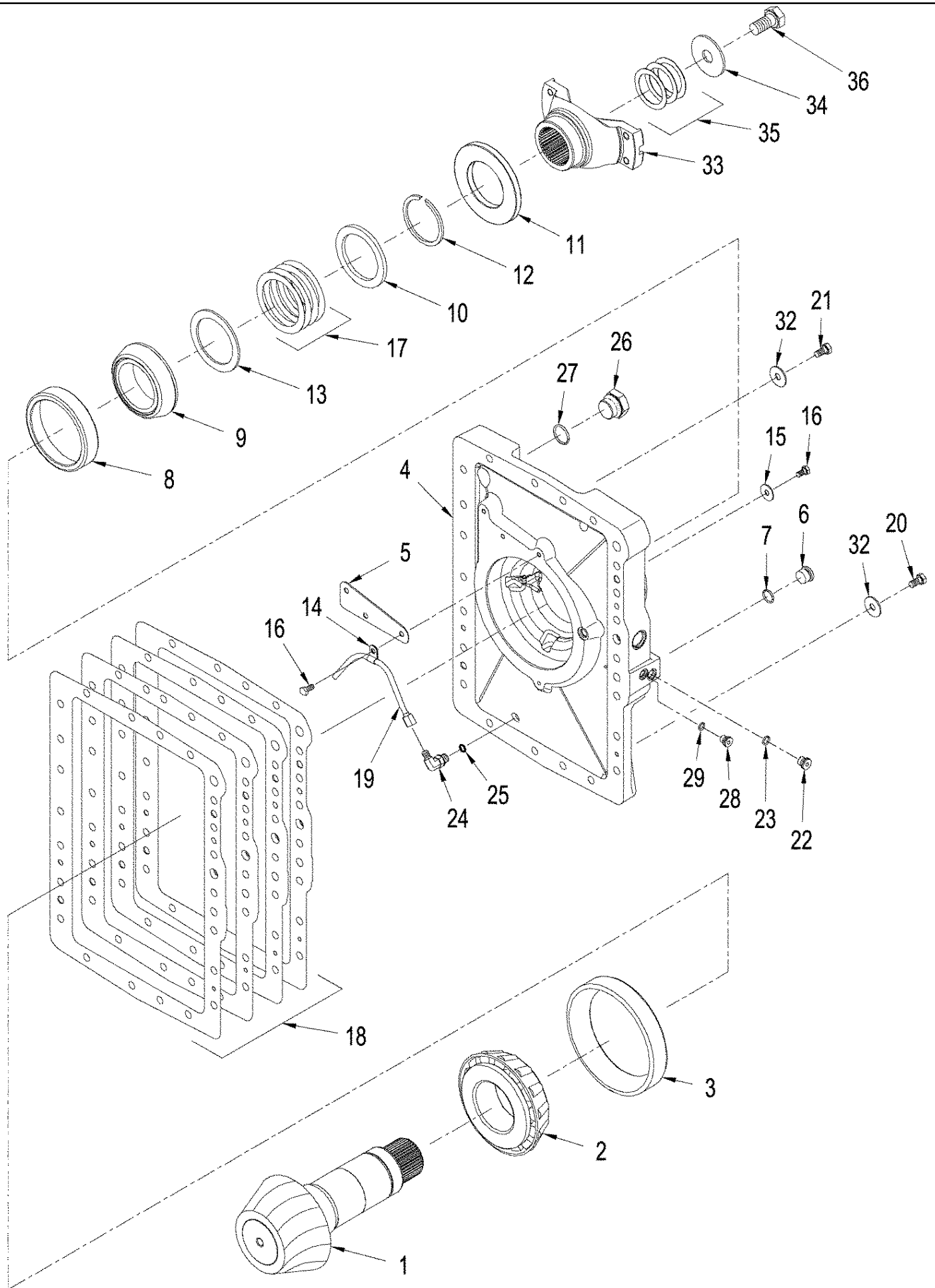
06-54 AXLE MOUNTING

сылка	Номер детали	Кол-во	Описание
1	86528190	1	BOLT, Hex, M24 x 200, 10.9, , with 450 Series Axle
1	86639187	1	BOLT, Hex, M24 x 270, 10.9, , with 500 Series Axle
2	86639319	8	WASHER, 26 x 44 x 5 mm
3	9848973	AR	NUT, M24, CI 10, (4) Rear Axle and (8) Front Axle
4	296050A1	2	PLATE, Mounting, Rear Axle
5	435501A1	2	SPACER,
6	86625266	2	WASHER, M17.5 x 30 x 4, HT,
7	86508623	2	BOLT, Hex, M16 x 30, 10.9, Full Thd,
8	316659A1	2	PLATE, SPACER, Rear Axle, with 450 Series Axle
9	412123	2	WASHER, M12, , with 450 Series Axle
10	337563	2	BOLT, Hex, M12 x 40, 10.9, Full Thd, , with 450 Series Axle



06-55 450 SERIES AXLE ASSY - FRONT COVER

сылка	Номер детали	Кол-во	Описание
	302259A2	1	GEAR SET, Set, Pinion Shaft And Gears, Inc. 1, See Figure(s): 06-58 & 06-59
1	NSS	1	NOT SERVICED SEPARATELY, 12 T / 53 T, Shaft, Pinion
2	248118A1	1	BEARING, CONE,
3	248114A1	1	BEARING SET,
4	86985627	1	COVER, Front Axle
5	246146A1	1	BAFFLE,
6	191440A1	1	BEARING, CUP,
7	67190R91	1	BEARING, CONE,
8	229515A1	1	SNAP RING, Retaining, M4
9	86534066	2	RING, SNAP, 5.50", Int, #550,
10	259516A1	1	SEAL, Oil
11	853764	1	CLAMP, 5/16", Insul, 5/16" Bolt,
12	228968A2	1	SPACER, Thick
13	191713A1	1	SPACER, Thin
14	191709A1	AR	SHIM, 0,076 mm
14	191711A1	AR	SHIM, 0,101 mm
14	191712A1	AR	SHIM, 0,130 mm
14	220785A1	AR	SHIM, 0,508 mm
15	43232	4	SCREW,
16	284186A1	1	SEAL, Oil
17	412085	8	BOLT, Hex, M12 x 80, 10.9,
18	234433A1	1	TUBE, Lubrication
19	226492A2	AR	SHIM, 0,076 mm
19	226493A2	AR	SHIM, 0,101 mm
19	226494A2	AR	SHIM, 0,130 mm
19	226496A2	AR	SHIM, 0,508 mm
20	221573A1	1	PLUG, Hex Soc, M12 x 1.5, ORB, Inc. 21
21	86642448	1	O-RING, CI 6, 9.3MM ID x 2.2 Thk,
22	221579A1	1	PLUG, Hex Soc, M22 x 1.5, ORB, Inc. 23
23	637-63193	1	O-RING, CI 6, 19.3MM ID x 2.2 Thk,
24	395209A1	1	YOKE, 8C
25	86985636	1	ELBOW, Orificed, 5/16 x 3/8, Inc. 76
26	9617873	1	O-RING, 6-1, 90 Duro, .468" ID x .078" Thk,
28	412087	14	BOLT, Hex, M12 x 45, 10.9, Full Thd,
29	86625138	1	PLUG, Hex Soc, 7/8"-14 ORB, Inc. 30
30	167269	1	O-RING, 10-1, 90 Duro, .755" ID x .097" Thk,
31	221576A1	1	PLUG, Hex Soc, M14 x 1.5, ORB, Inc. 32
32	86639042	3	O-RING, CI 6, 11.3MM ID x 2.2 Thk,
33	86991772	1	TUBE, Pinion Lube
34	700-153	1	CONNECTOR, HYD., 9/16"-18 ORFS x M14 x 1.5 ORB, Inc. 32 & 36
35	86985637	1	FITTING, M14 or x 1.6 mm, Inc. 32
36	238-6011	1	O-RING, -011, 90 Duro, .301" ID x .070" Thk,



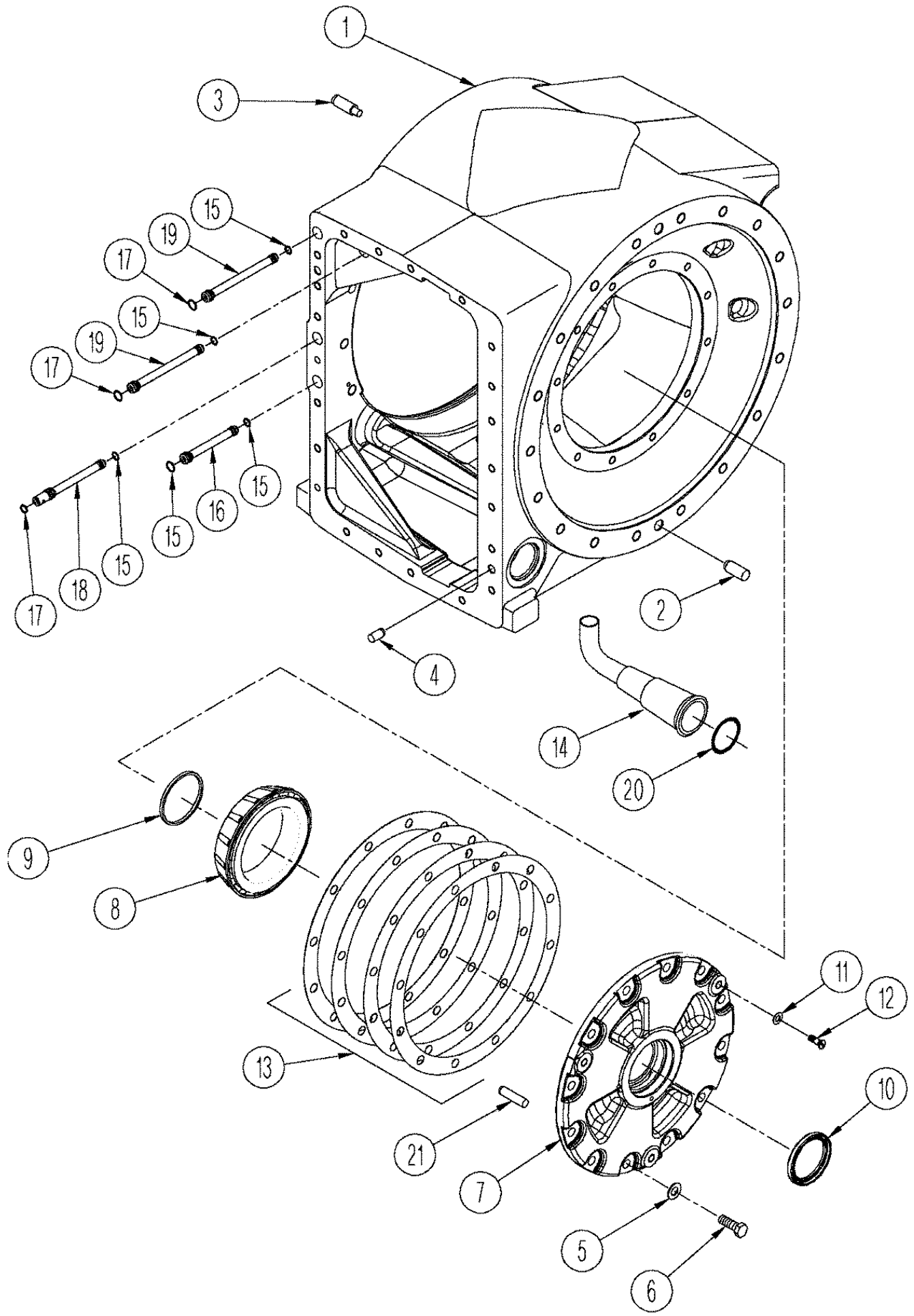
06-56 450 SERIES AXLE ASSY - REAR COVER

сылка	Номер детали	Кол-во	Описание
	302260A1	1	GEAR SET, Pinion Shaft and Gears, Inc. 1, See Figure(s): 06-58 & 06-59
1	NSS	1	NOT SERVICED SEPARATELY, Shaft, Pinion, 12 T / 53 T
2	248118A1	1	BEARING, CONE,
3	248114A1	1	BEARING SET,
4	86985626	1	COVER, Rear Axle
5	246146A1	1	BAFFLE,
6	86625138	1	PLUG, Hex Soc, 7/8"-14 ORB, Inc. 7
7	167269	1	O-RING, 10-1, 90 Duro, .755" ID x .097" Thk,
8	191440A1	1	BEARING, CUP,
9	67190R91	1	BEARING, CONE,
10	229515A1	1	SNAP RING, Retaining, M4
11	87432424	1	SEAL, Oil
12	228968A2	1	SPACER, Thick
13	191713A1	1	SPACER, Thin
14	853764	1	CLAMP, 5/16", Insul, 5/16" Bolt,
15	86639333	3	WASHER, 5/16",
16	43232	6	SCREW,
17	191709A1	AR	SHIM, 0,076 mm
17	191711A1	AR	SHIM, 0,101 mm
17	191712A1	AR	SHIM, 0,130 mm
17	220785A1	AR	SHIM, 0,508 mm
18	226492A2	AR	SHIM, 0,076 mm
18	226493A2	AR	SHIM, 0,101 mm
18	226494A2	AR	SHIM, 0,130 mm
18	226496A2	AR	SHIM, 0,508 mm
19	234432A1	1	TUBE, Lubrication
20	412087	14	BOLT, Hex, M12 x 45, 10.9, Full Thd,
21	412085	8	BOLT, Hex, M12 x 80, 10.9,
22	221573A1	1	PLUG, Hex Soc, M12 x 1.5, ORB, Inc. 23
23	86642448	1	O-RING, CI 6, 9.3MM ID x 2.2 Thk,
24	86985636	1	ELBOW, Orificed, 5/16 x 3/8, Inc. 25
25	9617873	1	O-RING, 6-1, 90 Duro, .468" ID x .078" Thk,
26	220069A1	1	PLUG, M33 x 2, ORB, Inc. 27
27	86639046	1	O-RING, CI 6, 29.6MM ID x 2.9 Thk,
28	221576A1	1	PLUG, Hex Soc, M14 x 1.5, ORB, Inc. 29
29	86639042	1	O-RING, CI 6, 11.3MM ID x 2.2 Thk,
30	221579A1	1	PLUG, Hex Soc, M22 x 1.5, ORB, Inc. 31
31	637-63193	1	O-RING, CI 6, 19.3MM ID x 2.2 Thk,
32	86639321	22	WASHER, 13,5 x 24 x 3 mm
33	395207A1	1	YOKE, 8C
34	228967A2	1	WASHER, Retaining
35	178545A1	AR	SHIM, 0,076 mm
35	178546A1	AR	SHIM, 0,101 mm
35	178547A1	AR	SHIM, 0,130 mm
35	220779A1	AR	SHIM, 0, 508 mm

T9040 4WD TRACTOR, ASN (8/07-) - Power Train

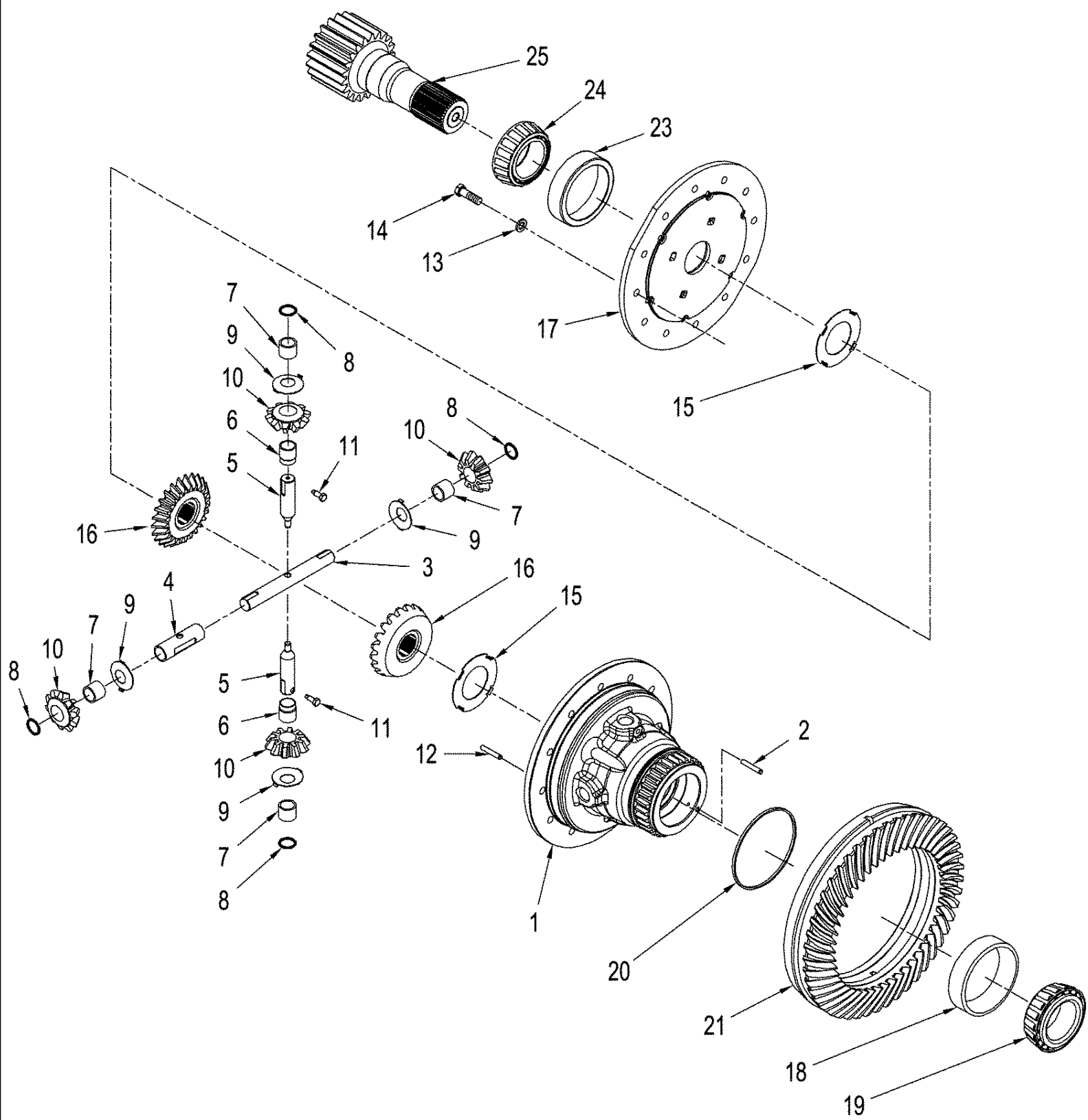
06-56 450 SERIES AXLE ASSY - REAR COVER

сылка	Номер детали	Кол-во	Описание
36	9780064	1	BOLT, Hex, M24 x 110, 10.9,



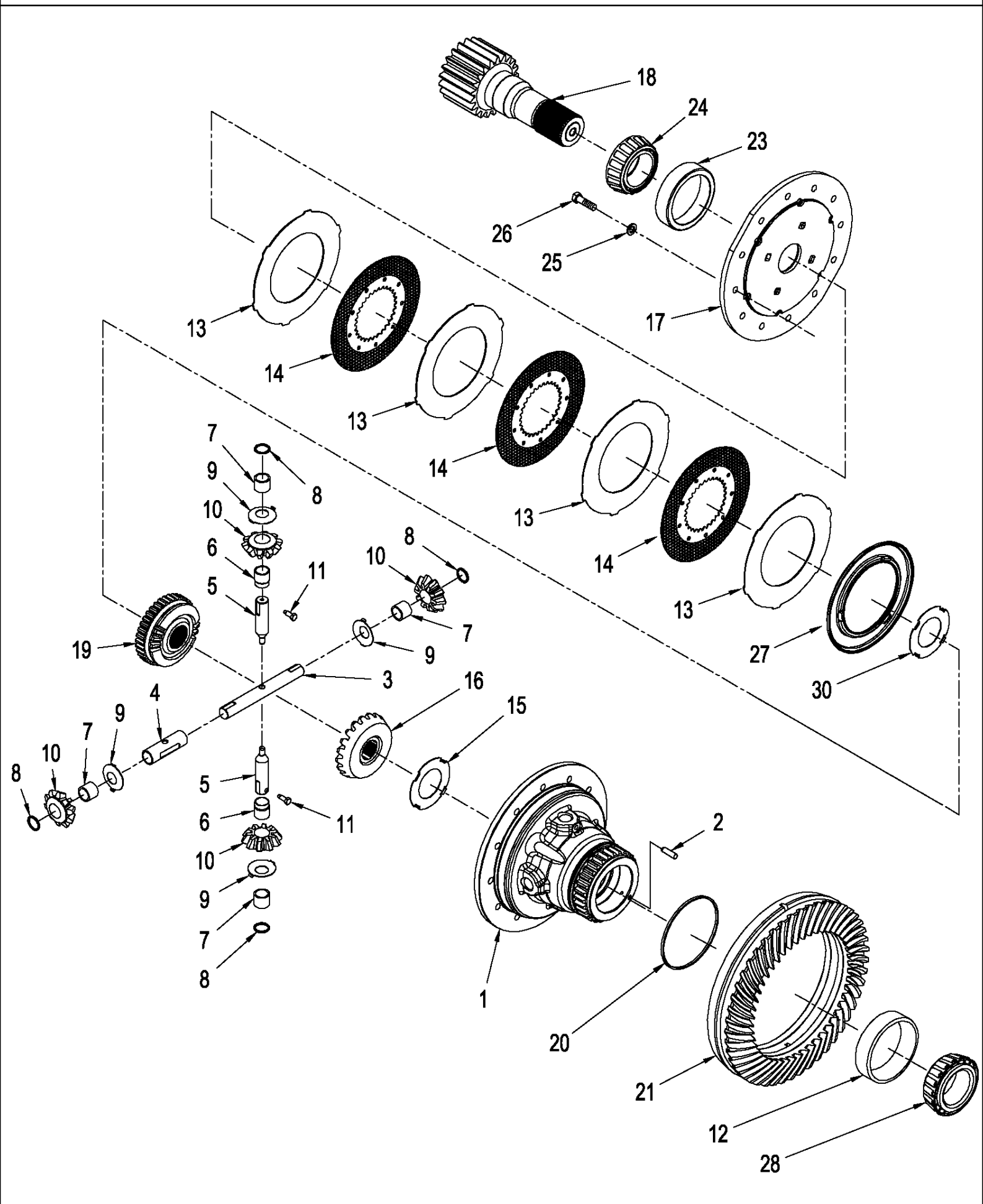
06-57 450 SERIES AXLE ASSY - CENTER AND LEFT-HAND CARRIER

сылка	Номер детали	Кол-во	Описание
	388968A1	1	CARRIER ASSY., Center, Inc. 1 - 4
1	NSS	1	NOT SERVICED SEPARATELY, Carrier
2	NSS	2	NOT SERVICED SEPARATELY, Pin, Dowel
3	NSS	2	NOT SERVICED SEPARATELY, Pin, 16 x 40 mm
4	NSS	2	NOT SERVICED SEPARATELY, Pin, 12 x 25 mm
5	1251958C1	12	WASHER,
6	9824642	12	BOLT, Hex, M12 x 35, 10.9,
7	231637A2	1	CARRIER, Left-Hand
8	253932A1	1	BEARING, CONE,
9	139060C2	1	RING, Retaining
10	139059C1	1	SEAL,
11	86639334	3	WASHER, 33/64" x 7/8" x .049",
12	86639264	3	SCREW, Hex Flat Hd, M8 x 12, 4.8,
13	255121A1	AR	SHIM, 0,076 mm
13	255122A1	AR	SHIM, 0,101 mm
13	255123A1	AR	SHIM, 0,130 mm
13	255124A1	AR	SHIM, 0,508 mm
14	229553A3	1	TUBE,
15	272217	5	O-RING, -013, 90 Duro, .426" ID x .070" Thk,
16	245162A1	1	TUBE, Jumper, Lubrication
17	165212	3	O-RING, -015, 90 Duro, .551" ID x .070" Thk,
18	86985628	1	TUBE, Jumper, Lubricaton
19	228893A2	2	TUBE, Service / Park Brake
20	217408	1	O-RING, -226, 70 Duro, 1.984" ID x .139" Thk,
21	86639250	1	DOWEL, M6 x 55, Dowel



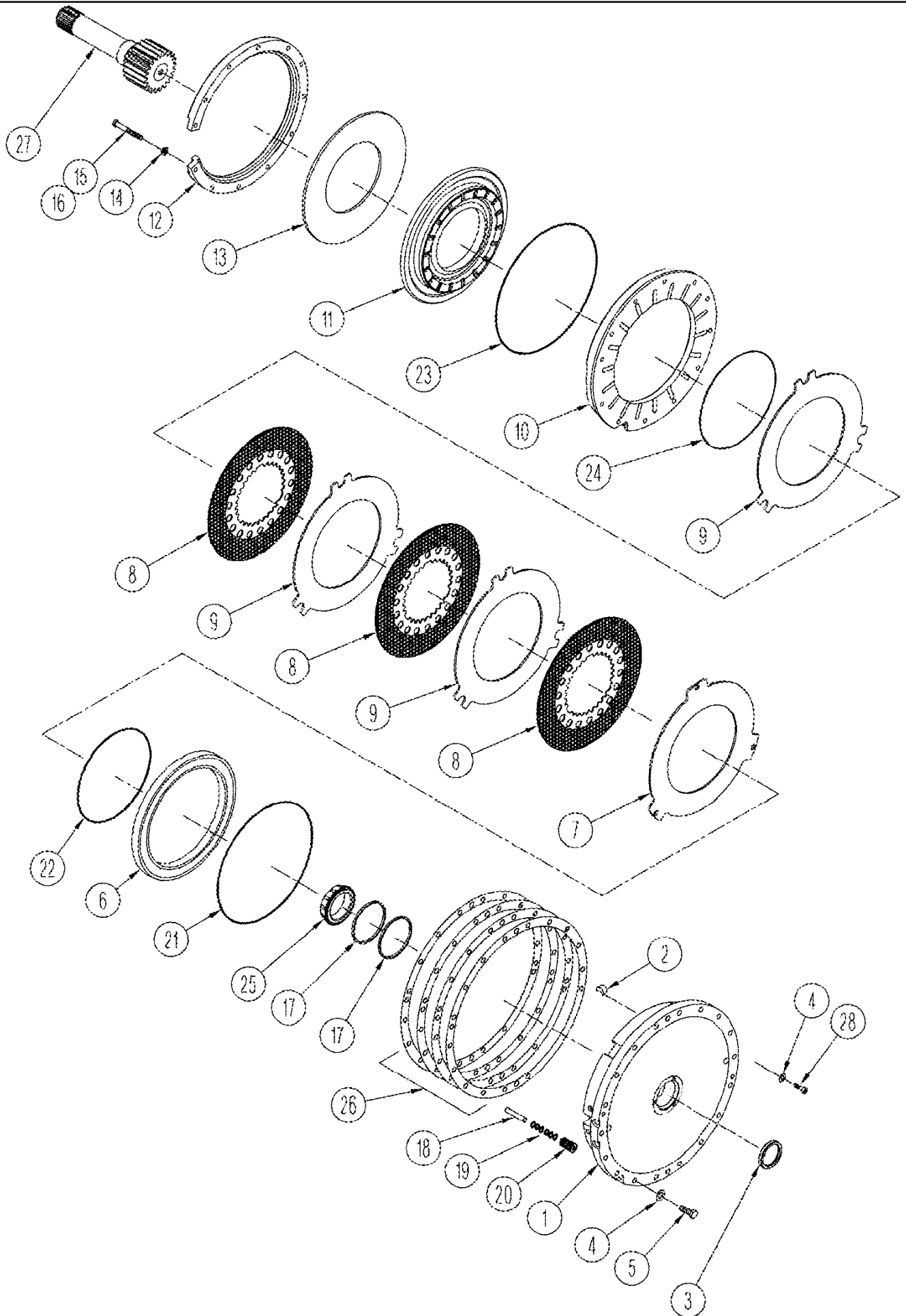
06-58 450 SERIES AXLE ASSY - DIFFERENTIAL, WITHOUT DIFFERENTIAL LOCKS

сылка	Номер детали	Кол-во	Описание
	413410A1	1	DIFFERENTIAL ASSY, Without Diff Lock, Inc. 1 & 2
1	NSS	1	NOT SERVICED SEPARATELY, Housing, Differential
2	87520606	1	PLUG, 10mm
3	92907C1	1	SHAFT, Pinion, Long
4	1289349C1	1	SPACER,
5	92906C1	2	SHAFT, SHORT, Pinion
6	1289350C1	2	SPACER,
7	1270697C1	112	NEEDLE, 28 Per Gear
8	1289348C1	4	RING, Retaining
9	92718C2	4	WASHER,
10	92905C1	4	PINION,
11	1997421C1	2	BOLT,
12	137023A1	6	DOWEL, 10 x 60 mm
13	86625266	24	WASHER, M17.5 x 30 x 4, HT,
14	9843611	24	BOLT, Hex, M16 x 55, 10.9, Full Thd,
15	227116A2	2	WASHER, THRUST,
16	1259633C3	1	GEAR,
17	314226A3	1	COVER,
18	A63171	1	BEARING, CUP,
19	622336C1	1	BEARING, CONE,
20	148939C1	1	SEAL,
	302259A2	1	GEAR SET, Pinion Shaft and Gears, Front Axle, Inc. 21, See Figure: 06-55
	302260A1	1	GEAR SET, Pinion Shaft and Gears, Rear Axle, Not Illustrated, Inc. 22, See Figure: 06-56
21	NSS	1	NOT SERVICED SEPARATELY, Gear, Drive, 53 T, Front Axle
22	NSS	1	NOT SERVICED SEPARATELY, Gear, Drive, Rear Axle, Not Illustrated
23	253931A1	1	BEARING SET,
24	253932A1	1	BEARING, CONE,
25	310693A1	1	SHAFT, Sun Gear
26	388308A1	1	SEAL, Not Illustrated



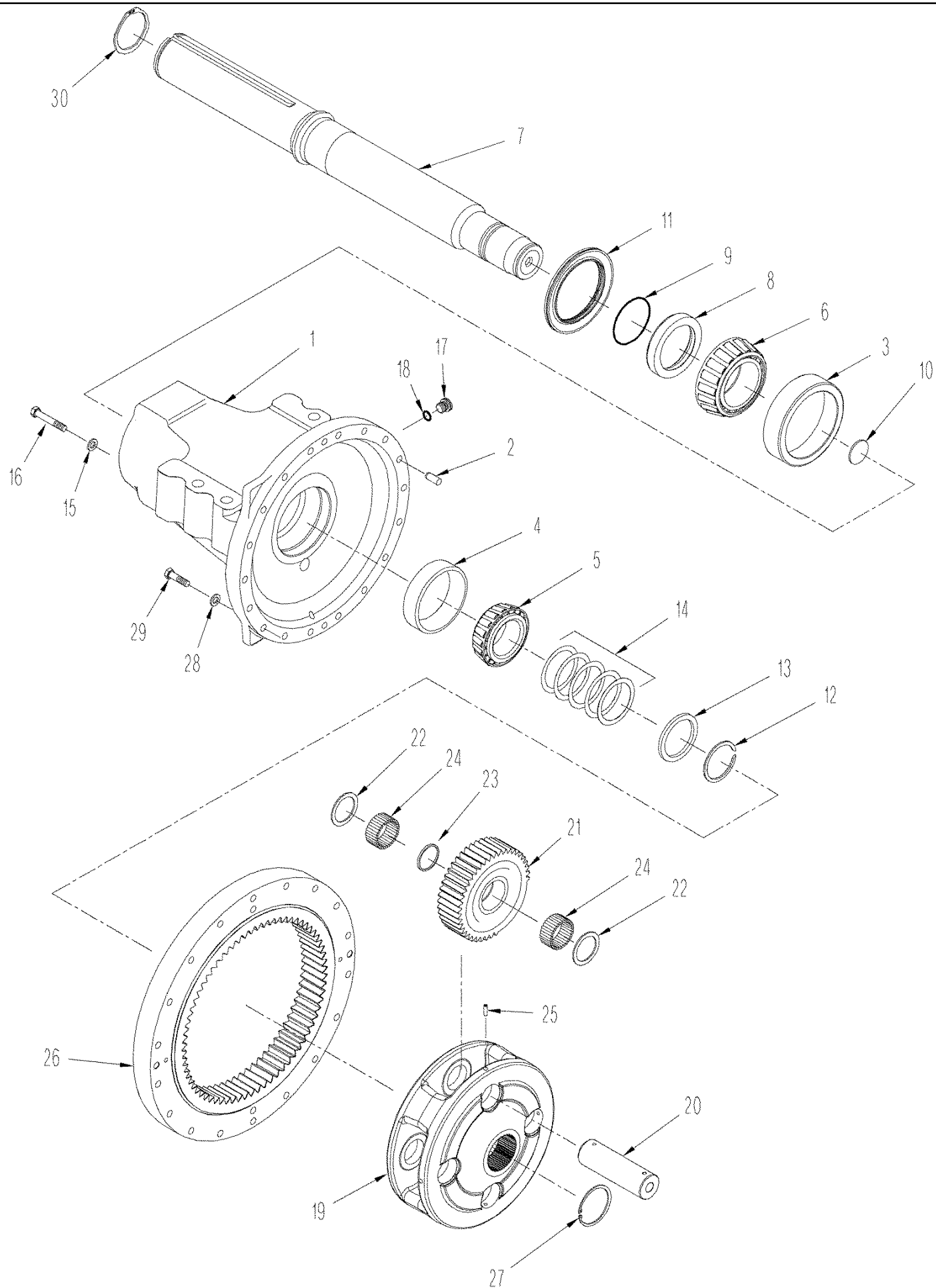
06-59 450 SERIES AXLE ASSY - DIFFERENTIAL, WITH DIFFERENTIAL LOCKS

сылка	Номер детали	Кол-во	Описание
	413410A1	1	DIFFERENTIAL ASSY, With Diff Lock, Inc. 1 & 2
1	NSS	1	NOT SERVICED SEPARATELY, Housing, Differential
2	87520606	1	PLUG, 10 mm
3	92907C1	1	SHAFT, Pinion, Long
4	1289349C1	1	SPACER,
5	92906C1	2	SHAFT, SHORT, Pinion
6	1289350C1	2	SPACER,
7	1270697C1	112	NEEDLE, 28 Per Gear
8	1289348C1	4	RING, Retainer
9	92718C2	4	WASHER,
10	92905C1	4	PINION,
11	1997421C1	2	BOLT,
12	A63171	1	BEARING, CUP,
13	87452270	4	PLATE, Separator
14	120679C1	3	PLATE, Friction
15	227116A2	1	WASHER, THRUST,
16	1259633C3	1	GEAR,
17	253609A4	1	COVER, Differential
18	310693A1	1	SHAFT, Sun Gear, Short
19	1259634C3	1	PINION, Lock
20	148939C1	1	SEAL,
	302259A2	1	GEAR SET, Pinion Shaft and Gears, Front Axle, Inc. 21, See Figure: 06-55
	302260A1	1	GEAR SET, Pinion Shaft and Gears, Rear Axle, Not Illustrated, Inc. 22, See Figure: 06-56
21	NSS	1	NOT SERVICED SEPARATELY, Gear, Drive, 53 T, Front Axle
22	NSS	1	NOT SERVICED SEPARATELY, Gear, Drive, Rear Axle, Not Illustrated
23	253931A1	1	BEARING SET,
24	253932A1	1	BEARING, CONE,
25	86625266	24	WASHER, M17.5 x 30 x 4, HT,
26	9843611	24	BOLT, Hex, M16 x 55, 10.9, Full Thd,
27	1997422C1	1	PISTON, Brake
28	622336C1	1	BEARING, CONE,
30	227117A2	1	WASHER, THRUST,



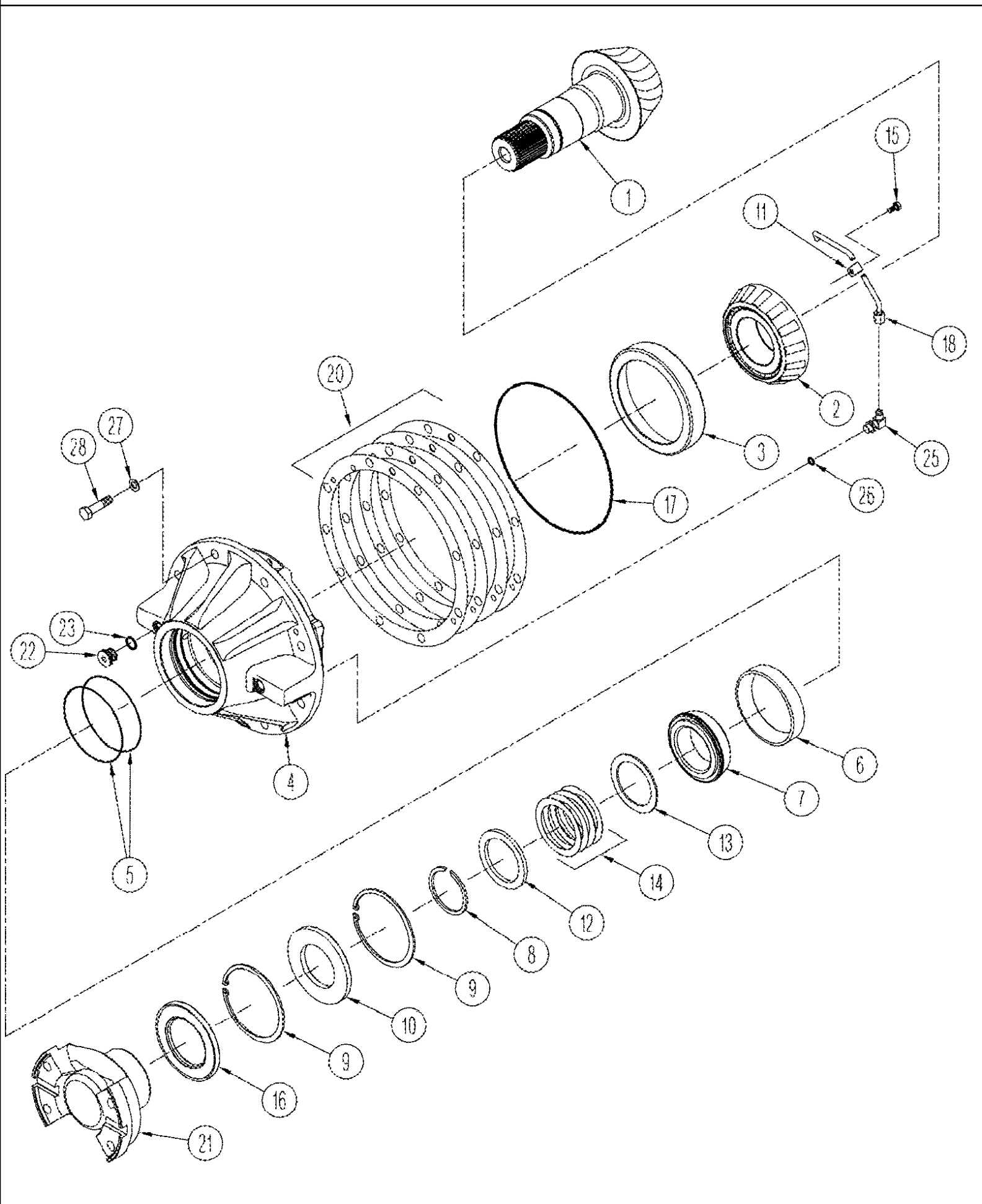
06-60 450 SERIES AXLE ASSY - BRAKE AND RIGHT-HAND CARRIER

сылка	Номер детали	Кол-во	Описание
	398362A1	1	CARRIER, Assy., Brake, Inc. 1, 2
1	NSS	1	NOT SERVICED SEPARATELY, Carrier, Brake
2	NSS	1	NOT SERVICED SEPARATELY, Plug, Expansion, 12 mm
3	139059C1	1	SEAL,
4	86639323	18	WASHER, M17.5 x 30 x 4, HT,
5	9840670	15	BOLT, Hex, M16 x 180, 10.9,
6	178565A2	1	PISTON, Service Brake
7	228194A3	1	PLATE, Return
8	353363A1	3	PLATE, Friction
9	228193A1	3	PLATE, Separator
10	226252A2	1	PLATE, Backing
11	226318A2	1	PISTON, Park Brake
12	226254A4	1	RING, Retaining
13	226320A1	1	SPRING,
14	86639321	12	WASHER, 13,5 x 24 x 3 mm
15	412085	2	BOLT, Hex, M12 x 80, 10.9,
16	412605	10	BOLT, Hex, M12 x 90, 10.9,
17	388308A1	2	SEAL, Ring
	235507A5	3	ADJUSTER, Inc. 18 - 20
18	86637801	1	DOWEL, 1/2" x 2", Dowel
19	86637643	6	RING, SNAP, #50, Ext,
20	1342928C1	9	WASHER, Thrust
21	86637768	1	O-RING, 1/8 ID x 18; 5
22	86637771	1	O-RING, -277, CI 7, 11.484" ID x .139" Thk,
23	86637775	1	O-RING, 1/8 ID x 16; 7
24	86637772	1	O-RING, 1/8 ID x 12; 7
25	A63171	1	BEARING, CUP,
25	622336C1	1	BEARING, CONE,
26	178553A1	AR	SHIM, 0,076 mm
26	178554A1	AR	SHIM, 0,101 mm
26	178555A1	AR	SHIM, 0,130 mm
26	198843A1	AR	SHIM, 0,508 mm
27	310692A1	1	SHAFT, Sun Gear, Long
28	390873A1	3	BOLT, SPECIAL,
29	388308A1	1	SEAL, Not Illustrated



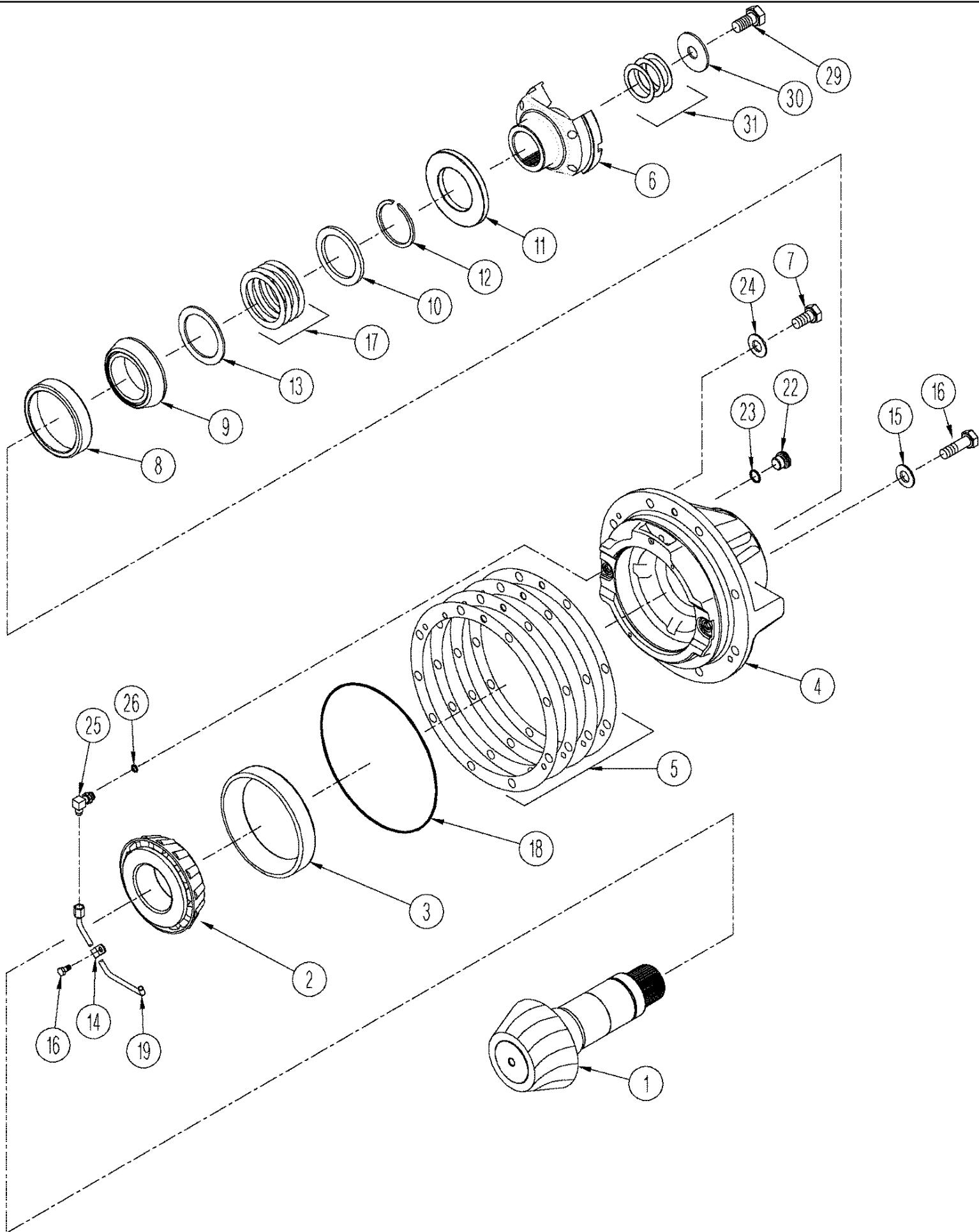
06-61 450 SERIES AXLE ASSY - FINAL DRIVE

сылка	Номер детали	Кол-во	Описание
	87363036	1	HOUSING, Assy., Final Drive, Inc. 1 - 4
1	NSS	1	NOT SERVICED SEPARATELY, Housing, Final Drive
2	86639248	2	DOWEL, M16 x 40,
3	237698A1	1	BEARING, CUP,
4	A136253	1	BEARING SET, Cup
5	A136255	1	BEARING, CONE,
6	237700A1	1	BEARING, CONE,
	87363294	2	CARRIER, AXLE, 115 mm (4-1/2 in), Axle, Inc. 7 - 10
7	NSS	1	NOT SERVICED SEPARATELY, Shaft, 115 mm (4-1/2 in)
8	87593684	1	BUSHING, Outboard
9	86637742	1	O-RING, -246, 70 Duro, 4.484" ID x .139" Thk,
10	1981270C1	1	INSERT,
11	239942A3	1	SEAL,
12	435222A1	1	SNAP RING, Retaining
13	436752A1	1	RING, THRUST, Retaining
14	437392A1	1	SHIM,
14	437393A1	1	SHIM,
14	437394A1	1	SHIM,
14	437395A1	1	SHIM,
14	437396A1	1	SHIM,
15	86639333	4	WASHER, 5/16",
16	43232	4	SCREW,
17	221578A1	1	PLUG, Hex Soc, M18 x 1.5, ORB, Inc. 18
18	86639043	1	O-RING, 15.3 ID x 2.2
19	388370A1	1	CARRIER, GEARS, Planetary
20	310697A3	4	SHAFT,
21	310694A2	4	GEAR, PLANETARY, 29 T
22	87435907	6	WASHER, Thrust
23	86985634	4	SPACER, RING,
24	1349347C1	1	BEARING, NEEDLE,
25	86639256	4	PIN, M8 x 26, Coiled,
26	360761A1	2	GEAR, RING, 76 T
27	86637645	2	RING, SNAP, #350, Ext,
28	86639323	36	WASHER, M17.5 x 30 x 4, HT,
29	86639230	18	BOLT, Hex, M16 x 150, 10.9,
30	800-51100	4	RING, SNAP, M100, Ext, Hvy, Retaining



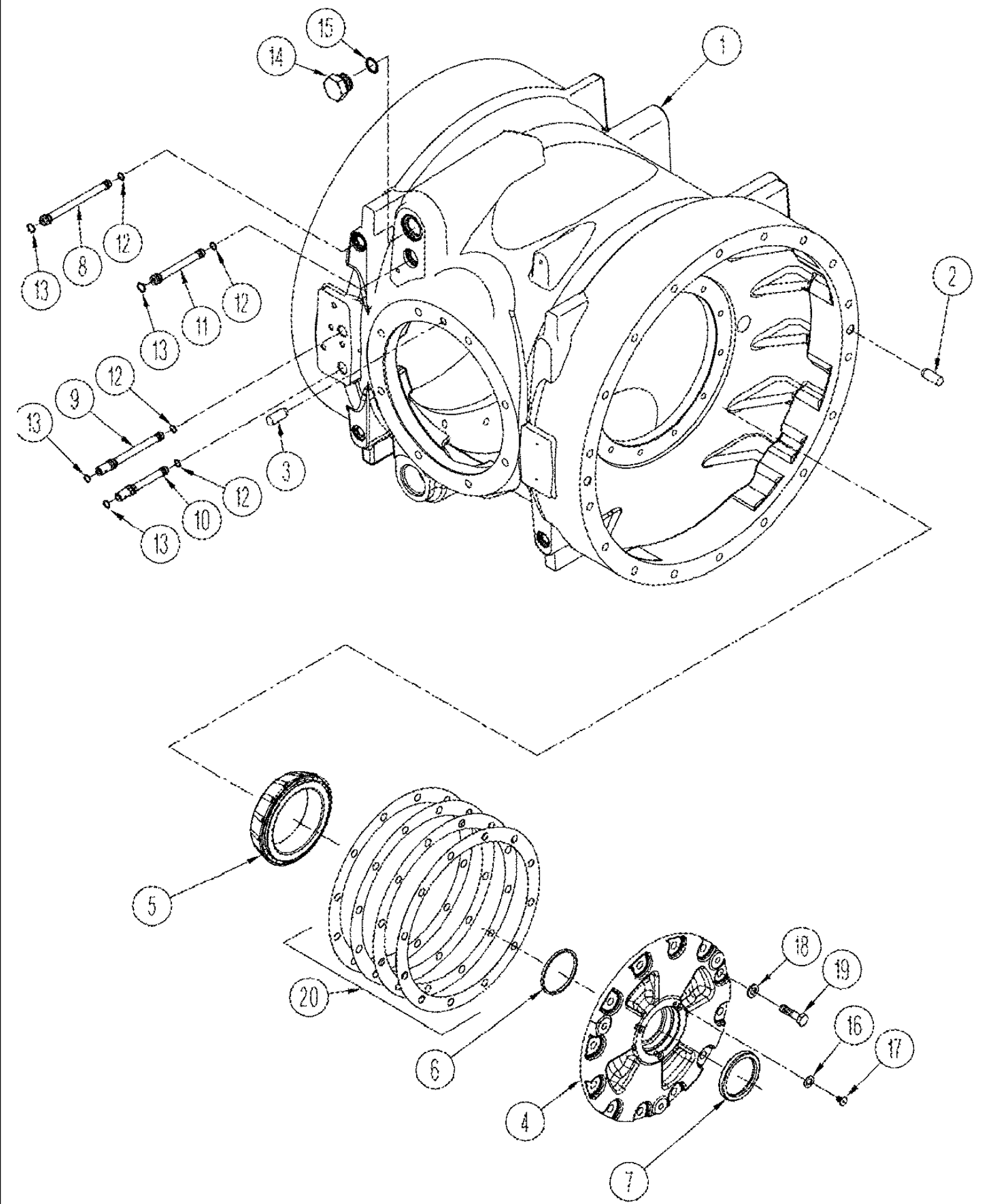
06-62 500 SERIES AXLE ASSY - FRONT COVER

сылка	Номер детали	Кол-во	Описание
	87522606	1	GEAR SET, Pinion Shaft and Gears, Inc. 1, See Figure(s): 06-65 & 06-66
1	NSS	1	NOT SERVICED SEPARATELY, Shaft, Pinion
2	248118A1	1	BEARING, CONE,
3	248114A1	1	BEARING SET,
4	328421A5	1	COVER, Front Axle
5	14458081	1	O-RING, -122, CI 7, 1.112" ID x .103" Thk,
6	191440A1	1	BEARING, CUP,
7	67190R91	1	BEARING, CONE,
8	229515A1	1	SNAP RING, Retaining, M4
9	86534066	2	RING, SNAP, 5.50", Int, #550,
10	87432424	1	SEAL, Pinion, Input Shaft
11	853764	1	CLAMP, 5/16", Insul, 5/16" Bolt,
12	228968A2	1	SPACER, Thick
13	191713A1	1	SPACER, Thin
14	191709A1	AR	SHIM, 0,076 mm
14	191711A1	AR	SHIM, 0,101 mm
14	191712A1	AR	SHIM, 0.130 mm
14	220785A1	AR	SHIM, 0,508 mm
15	43232	1	SCREW,
16	284186A1	1	SEAL,
17	86625090	1	O-RING, -276, 70 Duro, 10.984" ID x .139" Thk,
18	284180A1	1	PIPE, Lubrication
19	9617873	2	O-RING, 6-1, 90 Duro, .468" ID x .078" Thk, Not Illustrated
20	279714A4	AR	SHIM, 0,076 mm
20	279715A4	AR	SHIM, 0,101 mm
20	279716A4	AR	SHIM, 0,130 mm
20	279717A4	AR	SHIM, 0,508 mm
21	284184A1	1	YOKE, 8,5 C
22	221578A1	1	PLUG, Hex Soc, M18 x 1.5, ORB, Inc. 23
23	86639043	1	O-RING, 15.3 ID x 2.2 W
24	9625178	1	PLUG, Hex Soc, 9/16"-18 ORB, Not Illustrated
25	86985636	1	ELBOW, Orificed, 5/16 x 3/8, Inc. 26
26	9617873	1	O-RING, 6-1, 90 Duro, .468" ID x .078" Thk,
27	86639323	8	WASHER, M17.5 x 30 x 4, HT,
28	9843611	8	BOLT, Hex, M16 x 55, 10.9, Full Thd,
29	221578A1	1	PLUG, Hex Soc, M18 x 1.5, ORB, Inc. 30, Not Illustrated
30	86639043	1	O-RING, 15.3 ID x 2.2 W



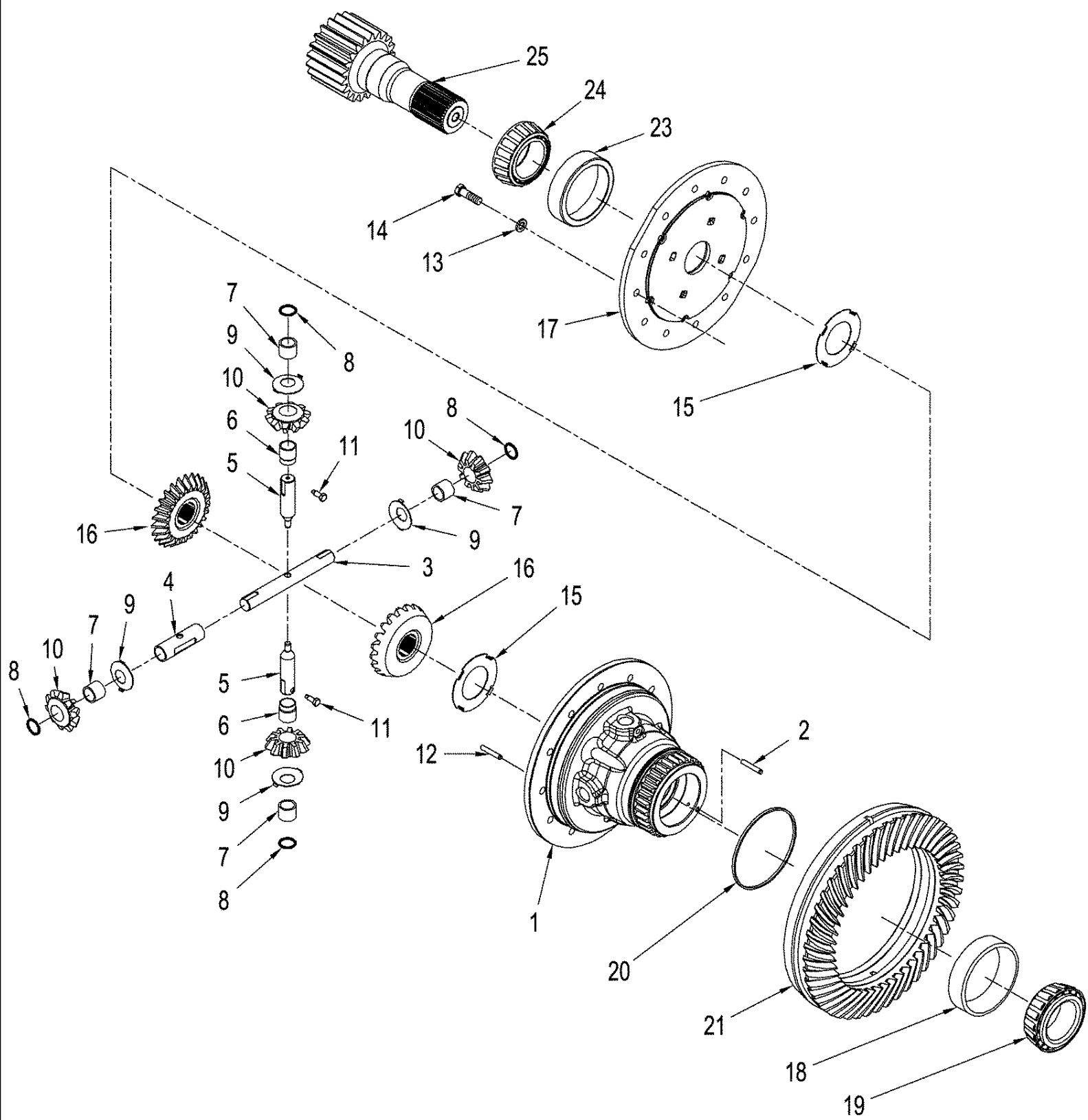
06-63 500 SERIES AXLE ASSY - REAR COVER

сылка	Номер детали	Кол-во	Описание
	87522604	1	GEAR SET, Set, Pinion Shaft and Gears, Inc. 1, See Figure(s): 06-65 & 06-66
1	NSS	1	NOT SERVICED SEPARATELY, Shaft, Pinion
2	248118A1	1	BEARING, CONE,
3	248114A1	1	BEARING SET,
4	328422A5	1	COVER, Rear Axle
5	279714A4	AR	SHIM, 0,076 mm
5	279715A4	AR	SHIM, 0,101 mm
5	279716A4	AR	SHIM, 0,130 mm
5	279717A4	AR	SHIM, 0,508 mm
6	284185A1	1	YOKE, 8,5 C
7	9843611	8	BOLT, Hex, M16 x 55, 10.9, Full Thd,
8	191440A1	1	BEARING, CUP,
9	67190R91	1	BEARING, CONE,
10	228968A2	1	SPACER, Thick
11	87432424	1	SEAL, Oil, Pinion Input Shaft
12	229515A1	1	SNAP RING, Retaining, M4
13	191713A1	1	SPACER, Thin
14	853764	1	CLAMP, 5/16", Insul, 5/16" Bolt,
15	86639333	3	WASHER, 5/16",
16	43232	4	SCREW,
17	191709A1	1	SHIM, 0,076 mm
17	191711A1	1	SHIM, 0,101 mm
17	191712A1	1	SHIM, 0,130 mm
17	220785A1	1	SHIM, 0,508 mm
18	86625090	1	O-RING, -276, 70 Duro, 10.984" ID x .139" Thk,
19	313377A1	1	PIPE, Lubrication
20	221578A1	1	PLUG, Hex Soc, M18 x 1.5, ORB, Inc. 21, Not Illustrated
21	86639043	1	O-RING, 15.3 ID x 2.2
22	9625178	1	PLUG, Hex Soc, 9/16"-18 ORB, Not Illustrated, Inc. 28
24	86639323	8	WASHER, M17.5 x 30 x 4, HT,
25	86985636	1	ELBOW, Orficed, 5/16 x 3/8, Inc. 26
26	9617873	1	O-RING, 6-1, 90 Duro, .468" ID x .078" Thk,
27	9625178	1	PLUG, Hex Soc, 9/16"-18 ORB, Not Illustrated, Inc. 28
29	9780064	1	BOLT, Hex, M24 x 110, 10.9,
30	228967A2	1	WASHER, Retaining
31	178545A1	AR	SHIM, 0,076 mm
31	178546A1	AR	SHIM, 0,101 mm
31	178547A1	AR	SHIM, 0,130 mm
31	220779A1	AR	SHIM, 0,508 mm
23	9993141	1	O-RING, -012, 90 Duro, .364" ID x .070" Thk,
28	9993141	1	O-RING, -012, 90 Duro, .364" ID x .070" Thk,



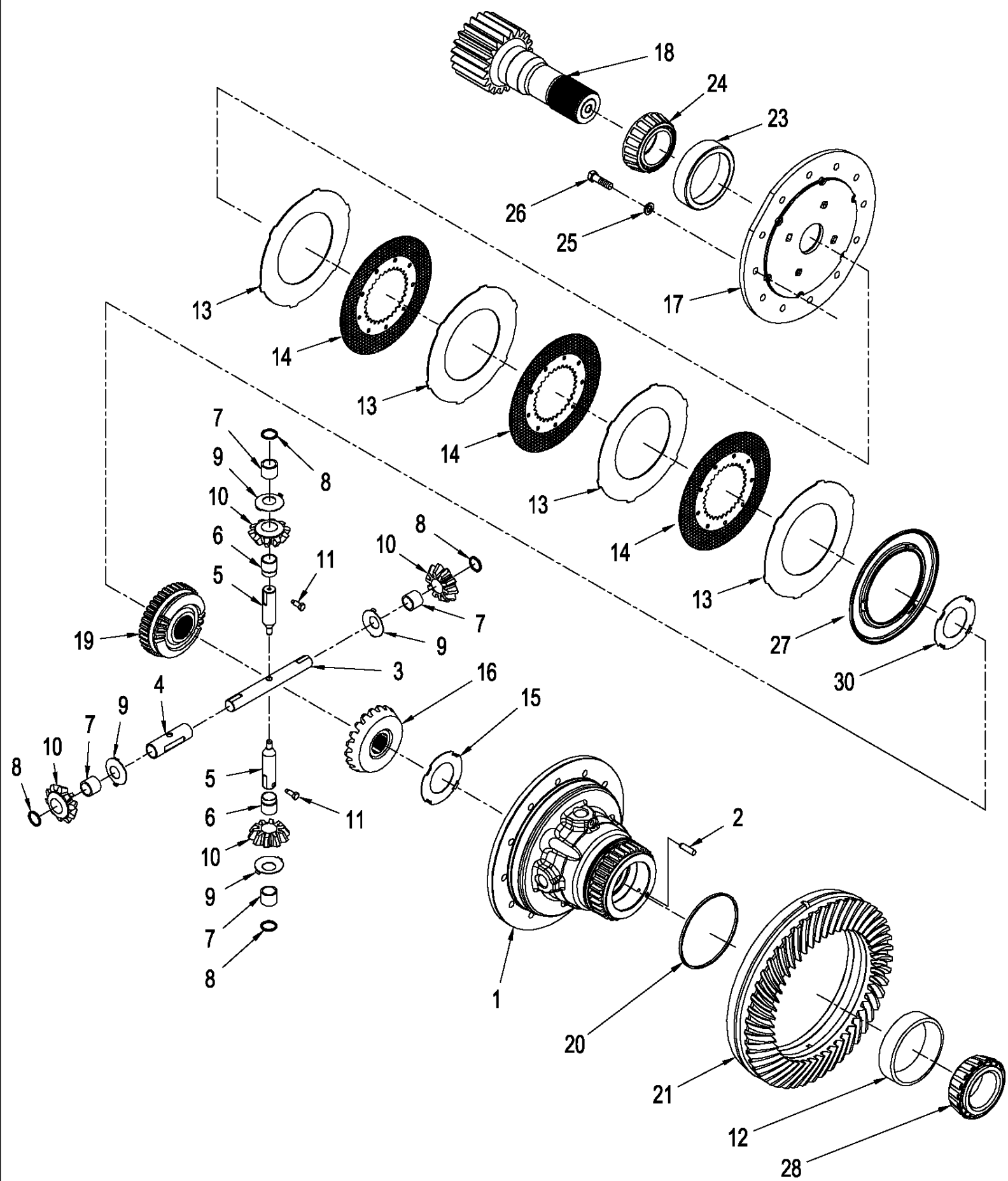
06-64 500 SERIES AXLE ASSY - CENTER AND LEFT-HAND CARRIER

сылка	Номер детали	Кол-во	Описание
	87402395	1	HOUSING, AXLE, Center. Inc. 1 - 3
1	NSS	1	NOT SERVICED SEPARATELY, Housing, Center
2	86639248	6	DOWEL, M16 x 40,
3	86639247	1	DOWEL, M12 x 25,
4	369765A1	1	CARRIER, BEARING,
5	253932A1	1	BEARING, CONE,
6	139060C2	1	RING,
7	139059C1	1	SEAL,
8	284188A1	1	TUBE, Jumper, Service Brake
9	86985628	1	TUBE, Jumper, Lubrication
10	86985628	1	TUBE, Jumper, Lubrication
11	298567A1	1	TUBE, Jumper, Park Brake
12	272217	4	O-RING, -013, 90 Duro, .426" ID x .070" Thk,
13	165212	4	O-RING, -015, 90 Duro, .551" ID x .070" Thk,
14	220069A1	1	PLUG, M33 x 2, ORB, Inc. 15
15	86639046	1	O-RING, CI 6, 29.6MM ID x 2.9 Thk,
16	86639334	3	WASHER, 33/64" x 7/8" x .049",
17	86639264	3	SCREW, Hex Flat Hd, M8 x 12, 4.8,
18	86639321	12	WASHER, 13.5 x 24 x 3 mm
19	412087	12	BOLT, Hex, M12 x 45, 10.9, Full Thd,
20	255121A1	AR	SHIM, 0,076 mm
20	255122A1	AR	SHIM, 0,101 mm
20	255123A1	AR	SHIM, 0,130 mm
20	255124A1	AR	SHIM, 0,508 mm



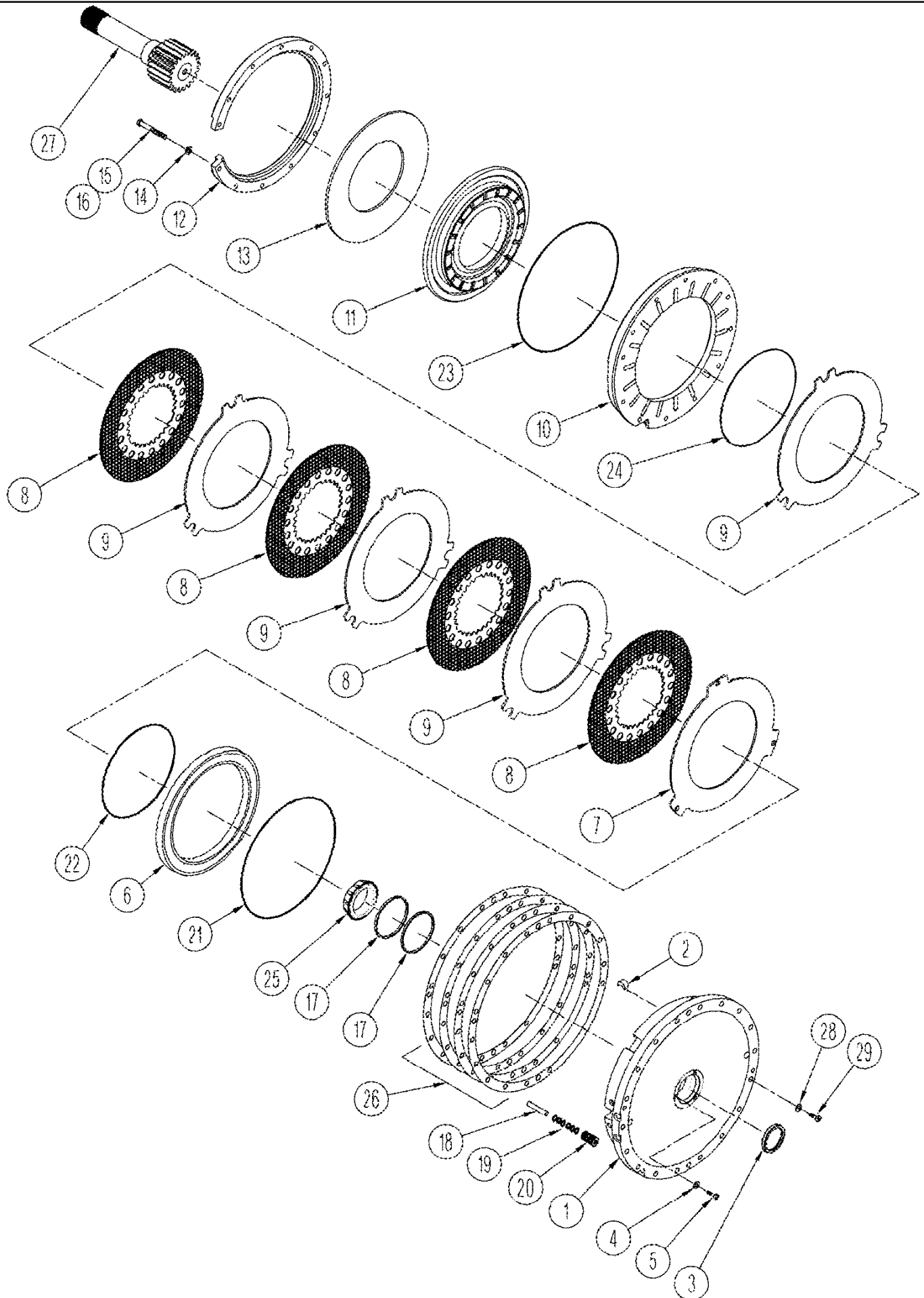
06-65 500 SERIES AXLE ASSY - DIFFERENTIAL, WITHOUT DIFFERENTIAL LOCKS

сылка	Номер детали	Кол-во	Описание
	413410A1	1	DIFFERENTIAL ASSY, Without Diff Lock, Inc. 1, 2
1	NSS	1	NOT SERVICED SEPARATELY, Housing, Differential
2	87520606	1	PLUG, 10 mm
3	92907C1	1	SHAFT, Pinion, Long
4	1289349C1	1	SPACER, Long Pinion
5	92906C1	2	SHAFT, SHORT, Pinion
6	1289350C1	2	SPACER,
7	1270697C1	112	NEEDLE, 28 Per Gear
8	1289348C1	4	RING, Retaining
9	92718C2	4	WASHER,
10	92905C1	4	PINION,
11	1997421C1	2	BOLT, Cross Pin
12	137023A1	6	DOWEL, 10 x 60 mm
13	86625266	24	WASHER, M17.5 x 30 x 4, HT,
14	9843611	24	BOLT, Hex, M16 x 55, 10.9, Full Thd,
15	227116A2	2	WASHER, THRUST,
16	1259633C3	2	GEAR, Bevel, 20T
17	314226A3	1	COVER, Housing
18	622337C1	1	BEARING, CUP,
19	622336C1	1	BEARING, CONE,
20	148939C1	1	SEAL,
	87522606	1	GEAR SET, Pinion Shaft and Gears, Front Axle, Inc. 21, See Figure: 06-62
	87522604	1	GEAR SET, Set, Pinion Shaft and Gears, Rear Axle, Not Illustrated, Inc. 22, See Figure: 06-63
21	NSS	1	NOT SERVICED SEPARATELY, Gear, Drive, Front Axle, 53 T
22	NSS	1	NOT SERVICED SEPARATELY, Gear, Drive, Rear Axle, Not Illustrated
23	253931A1	1	BEARING SET,
24	253932A1	1	BEARING, CONE,
25	279719A2	1	SUN GEAR, Short



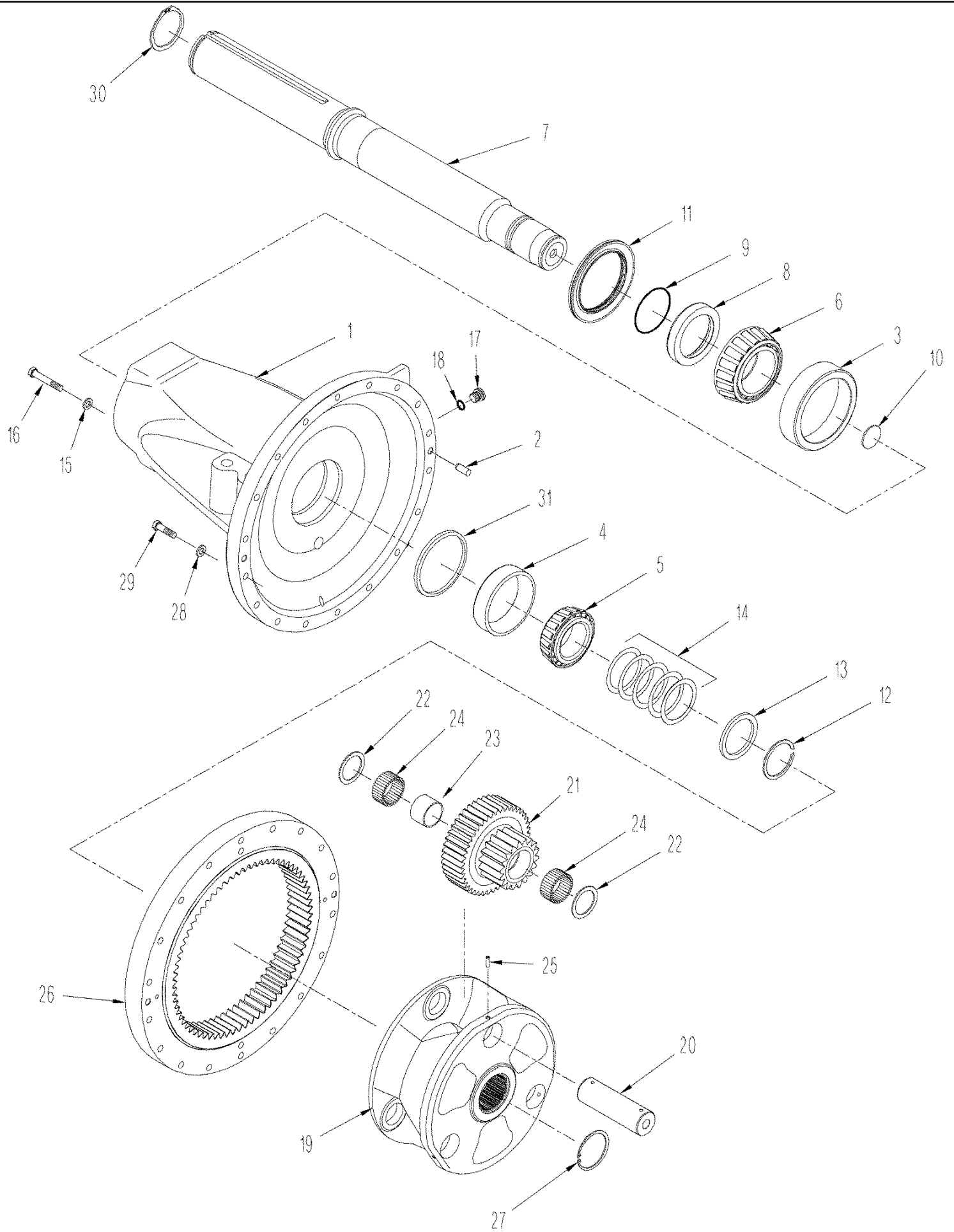
06-66 500 SERIES AXLE ASSY - DIFFERENTIAL, WITH DIFFERENTIAL LOCKS

сылка	Номер детали	Кол-во	Описание
	413410A1	1	DIFFERENTIAL ASSY, With Diff Lock, Inc. 1, 2
1	NSS	1	NOT SERVICED SEPARATELY, Housing, Differential
2	87520606	1	PLUG, 10 mm
3	92907C1	1	SHAFT, Pinion, Long
4	1289349C1	1	SPACER, Long Pinion
5	92906C1	2	SHAFT, SHORT, Pinion
6	1289350C1	2	SPACER,
7	1270697C1	112	NEEDLE, 28 Per Gear
8	1289348C1	4	RING, Retaining
9	92718C2	4	WASHER,
10	92905C1	4	PINION,
11	1997421C1	2	BOLT, Cross Pin
12	A63171	1	BEARING, CUP,
13	87452270	4	PLATE, Separator
14	120679C1	3	PLATE, Friction
15	227116A2	1	WASHER, THRUST,
16	1259633C3	1	GEAR, Bevel, 20T
17	253609A4	1	COVER, Differential Lock
18	279719A2	1	SUN GEAR, Short
19	1259634C3	1	PINION, Lock
20	148939C1	1	SEAL,
	87522606	1	GEAR SET, Pinion Shaft and Gears, Front Axle, Inc. 21, See Figure: 06-62
	87522604	1	GEAR SET, Set, Pinion Shaft and Gears, Rear Axle, Not Illustrated, Inc. 22, See Figure: 06-63
21	NSS	1	NOT SERVICED SEPARATELY, Gear, Drive, 53 T
22	NSS	1	NOT SERVICED SEPARATELY, Cover, Drive, Rear Axle, Not Illustrated
23	253931A1	1	BEARING SET,
24	253932A1	1	BEARING, CONE,
25	86625266	24	WASHER, M17.5 x 30 x 4, HT,
26	9843611	24	BOLT, Hex, M16 x 55, 10.9, Full Thd,
27	1997422C1	1	PISTON, Brake
28	622336C1	1	BEARING, CONE,
30	227117A2	1	WASHER, THRUST,



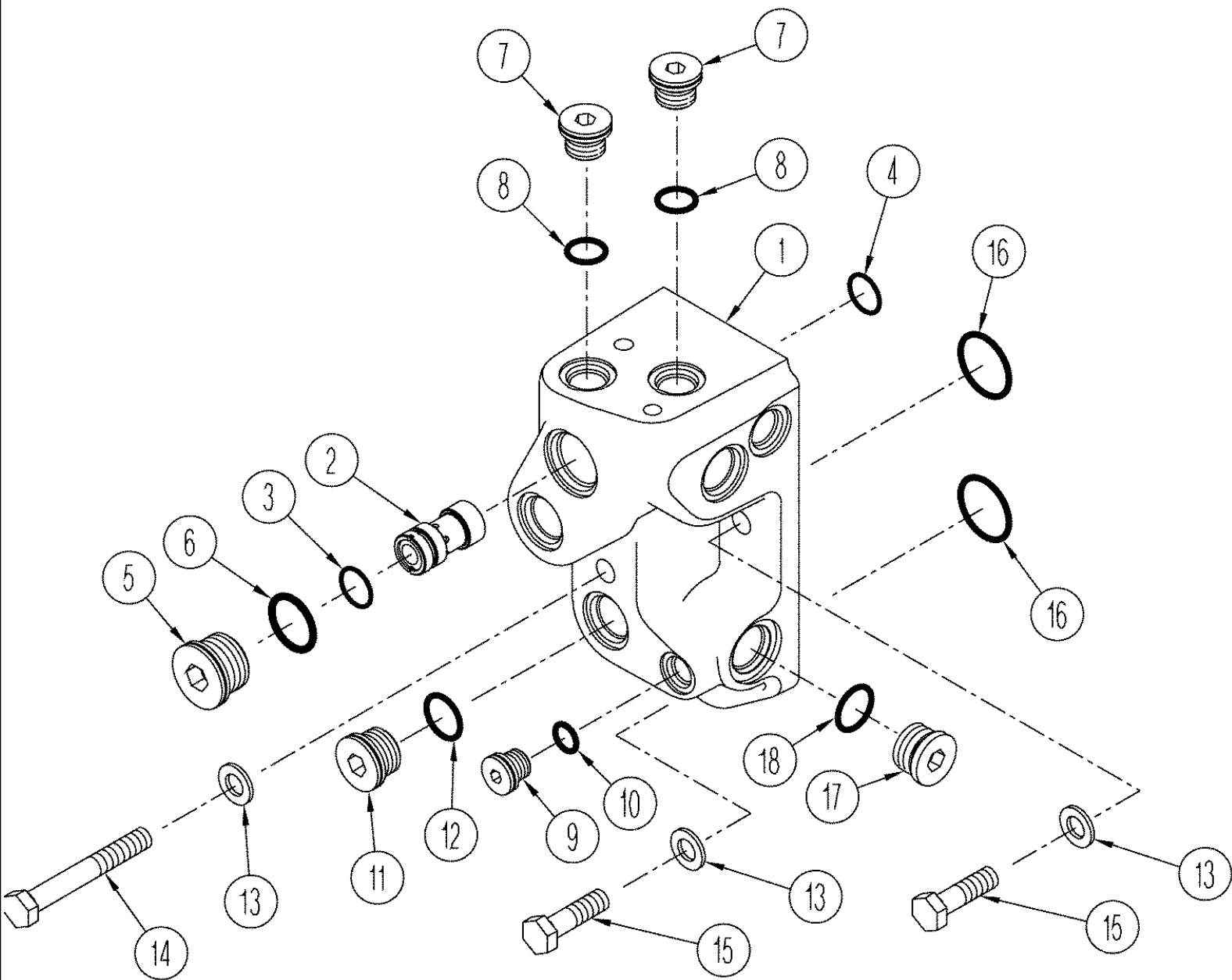
06-67 500 SERIES AXLE ASSY - BRAKE AND RIGHT-HAND CARRIER

сылка	Номер детали	Кол-во	Описание
	398453A1	1	CARRIER, Assy., RH, Inc. 1 & 2
1	NSS	1	NOT SERVICED SEPARATELY, Carrier, Brake
2	NSS	1	NOT SERVICED SEPARATELY, Plug, Expansion, 6,5 mm
3	139059C1	1	SEAL,
4	86639334	3	WASHER, 33/64" x 7/8" x .049",
5	86639264	3	SCREW, Hex Flat Hd, M8 x 12, 4.8,
6	353364A1	1	PISTON, Service Brake
7	228194A3	1	PLATE, Return
8	353363A1	4	PLATE, Friction
9	228193A1	4	PLATE, Separator
10	353367A3	1	PLATE, Backing
11	353369A1	1	PISTON, Park Brake
12	279707A1	1	SNAP RING, Retaining
13	226320A1	1	SPRING,
14	86639321	12	WASHER, 13.5 x 24 x 3 mm
15	86508622	10	BOLT, Hex, M12 x 100, 10.9, Cap, HH, CL 10.9, M12 x 1.75 x 100
16	412605	2	BOLT, Hex, M12 x 90, 10.9,
17	388308A1	2	SEAL, Ring
	363254A1	3	ADJUSTER, Inc. 18 - 20
18	86637802	1	DOWEL, 1/2" x 3",
19	86637643	6	RING, SNAP, #50, Ext,
20	1342928C1	12	WASHER, Thrust
21	86637774	1	O-RING, 1/8 ID x 15; 7
22	86637771	1	O-RING, -277, CI 7, 11.484" ID x .139" Thk,
23	86637775	1	O-RING, 1/8 ID x 16; 7
24	86637772	1	O-RING, 1/8 ID x 12; 7
25	622336C1	1	BEARING, CONE,
26	279709A1	AR	SHIM, 0,076 mm
26	279710A1	AR	SHIM, 0,101 mm
26	279711A1	AR	SHIM, 0,130 mm
26	279712A1	AR	SHIM, 0,508 mm
27	279718A2	1	SHAFT, Long
28	86639322	18	WASHER, M12 x 28.5 x 3, HT,
29	86589011	18	BOLT, Hex, M14 x 3 x 55, 10.9,



06-68 500 SERIES AXLE ASSY - FINAL DRIVE

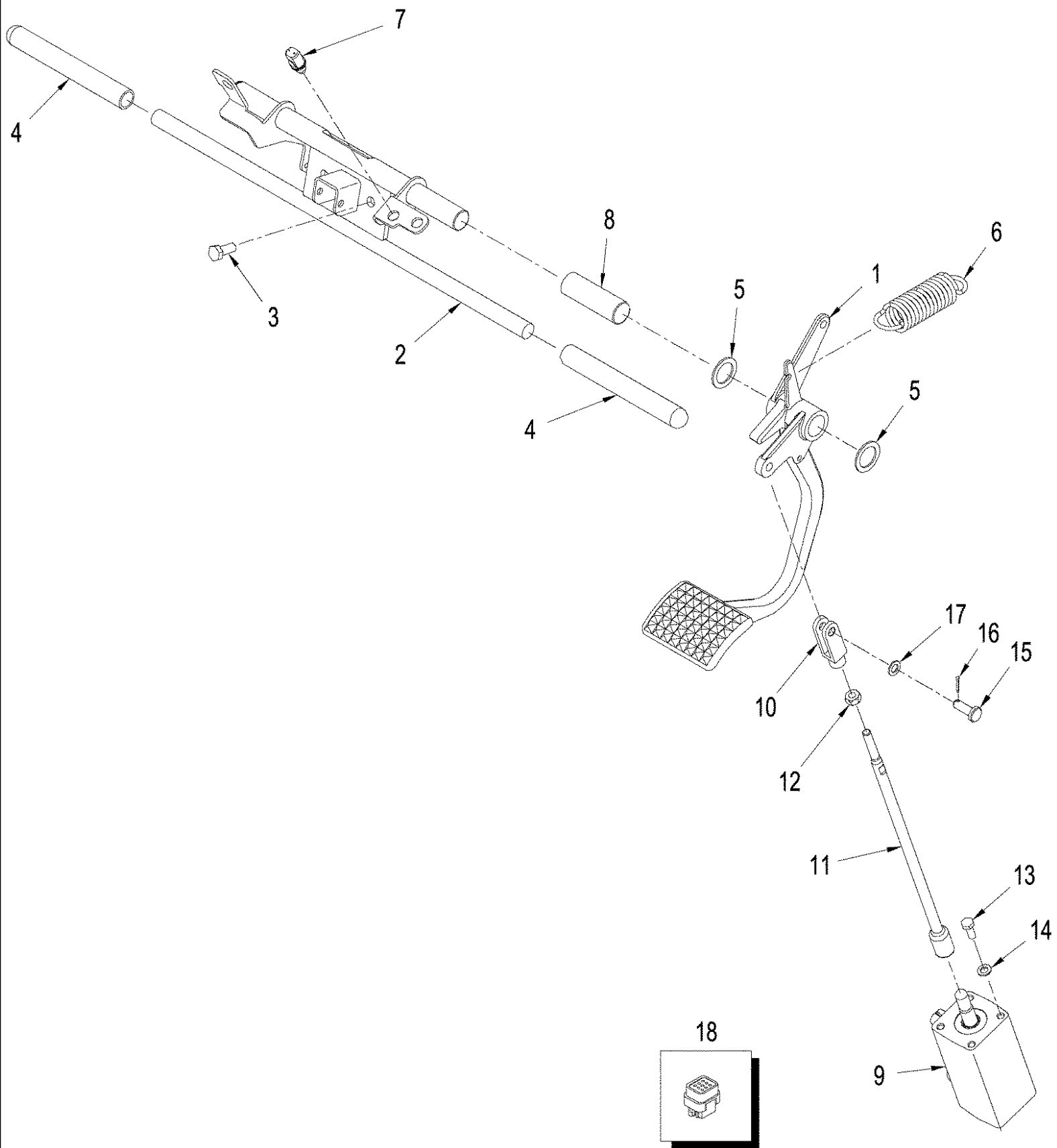
сылка	Номер детали	Кол-во	Описание
	435221A1	1	CARRIER, AXLE, Assy., Final Drive, Inc. 1 - 4
1	NSS	1	NOT SERVICED SEPARATELY, Housing, Final Drive
2	86639248	2	DOWEL, M16 x 40,
3	237698A1	1	BEARING, CUP,
4	A136253	1	BEARING SET,
5	NSS	1	NOT SERVICED SEPARATELY, Bearing, Cone
6	237700A1	1	BEARING, CONE,
	435219A1	1	SHAFT ASSY., Axle, 115 mm (4-1/2 in), Inc. 7 - 10
7	NSS	1	NOT SERVICED SEPARATELY, Shaft, Axle, 115 mm (4-1/2 in)
8	87593684	1	BUSHING, Outboard
9	86637742	1	O-RING, -246, 70 Duro, 4.484" ID x .139" Thk,
10	1981270C1	1	INSERT,
11	239942A3	1	SEAL,
12	435222A1	1	SNAP RING, Retaining
13	436752A1	1	RING, THRUST, Retaining
14	437392A1	1	SHIM,
14	437393A1	1	SHIM,
14	437394A1	1	SHIM,
14	437395A1	1	SHIM,
14	437396A1	1	SHIM,
15	86639333	4	WASHER, 5/16",
16	43232	4	SCREW,
17	221578A1	1	PLUG, Hex Soc, M18 x 1.5, ORB, Inc. 18
18	86639043	1	O-RING, 15.3 ID x 2.2
19	435215A1	1	CARRIER, AXLE, Planetary, 44T / 18T, Large Spline
20	357483A1	3	SHAFT,
21	357347A2	3	GEAR, 18 T / 44 T
22	397449A1	6	WASHER, THRUST,
23	377650A1	3	SPACER,
24	360785A1	1	NEEDLE, 58 per gear
25	86639256	3	PIN, M8 x 26, Coiled,
26	357346A1	2	GEAR, 69 T
27	86637645	2	RING, SNAP, #350, Ext,
28	86639323	36	WASHER, M17.5 x 30 x 4, HT,
29	87015550	36	BOLT, Hex, M16 x 130, 10.9,
30	800-11115	4	RING, SNAP, M115, Ext,
31	435216A1	2	SPACER,



06-69 AXLE ASSY - JET PUMP

сылка	Номер детали	Кол-во	Описание
1	428862A1	1	PUMP, LUBE, Housing
2	347294A3	1	PUMP, Jet
3	9861410	1	O-RING, -017, 90 Duro, .676" ID x .070" Thk,
4	49861	1	O-RING, -110, 70 Duro, .362" ID x .103" Thk,
5	221580A1	1	PLUG, Hex Soc, M27 x 2, ORB, Inc. 6
6	86639045	1	O-RING, CI 6, 23.6MM ID x 2.9 Thk,
7	221578A1	2	PLUG, Hex Soc, M18 x 1.5, ORB, Inc. 8
8	86639043	2	O-RING, 15.3 ID x 2.2
9	221576A1	1	PLUG, Hex Soc, M14 x 1.5, ORB, Inc. 10
10	86639042	1	O-RING, CI 6, 11.3MM ID x 2.2 Thk,
11	221579A1	1	PLUG, Hex Soc, M22 x 1.5, ORB, Inc. 12
12	86639044	1	O-RING, CI 6, 19.3MM ID x 2.2 Thk,
13	86624176	3	WASHER, M10 x 20 x 2,
14	86639212	1	BOLT, Hex, M10 x 75, 10.9,
15	86625011	2	BOLT, Hex, M10 x 35, 10.9, Full Thd,
16	14458081	2	O-RING, -122, CI 7, 1.112" ID x .103" Thk,
17	86625138	1	PLUG, Hex Soc, 7/8"-14 ORB, Inc. 18
18	167269	1	O-RING, 10-1, 90 Duro, .755" ID x .097" Thk,

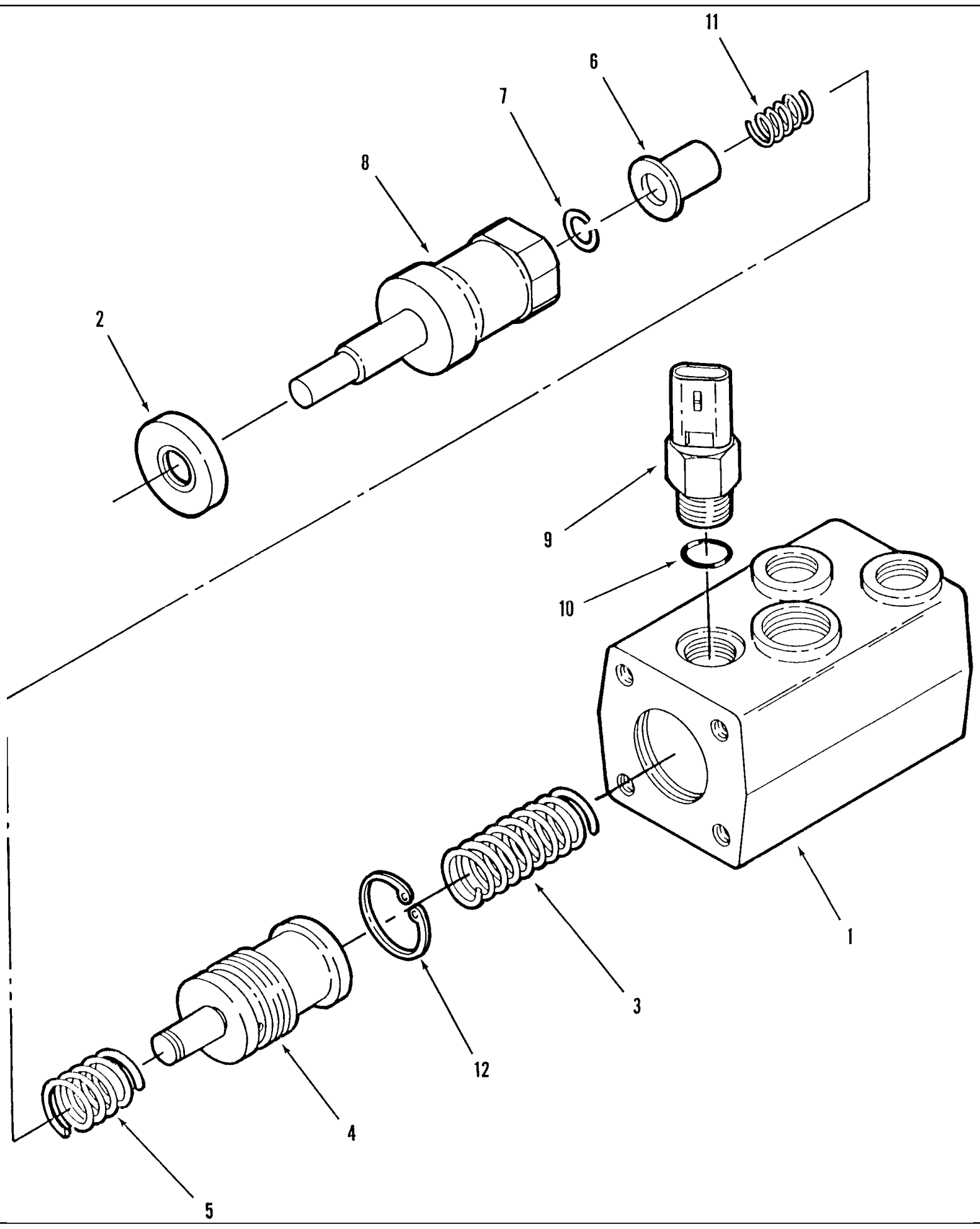
07-01 BRAKE CONTROL



07-01 BRAKE CONTROL

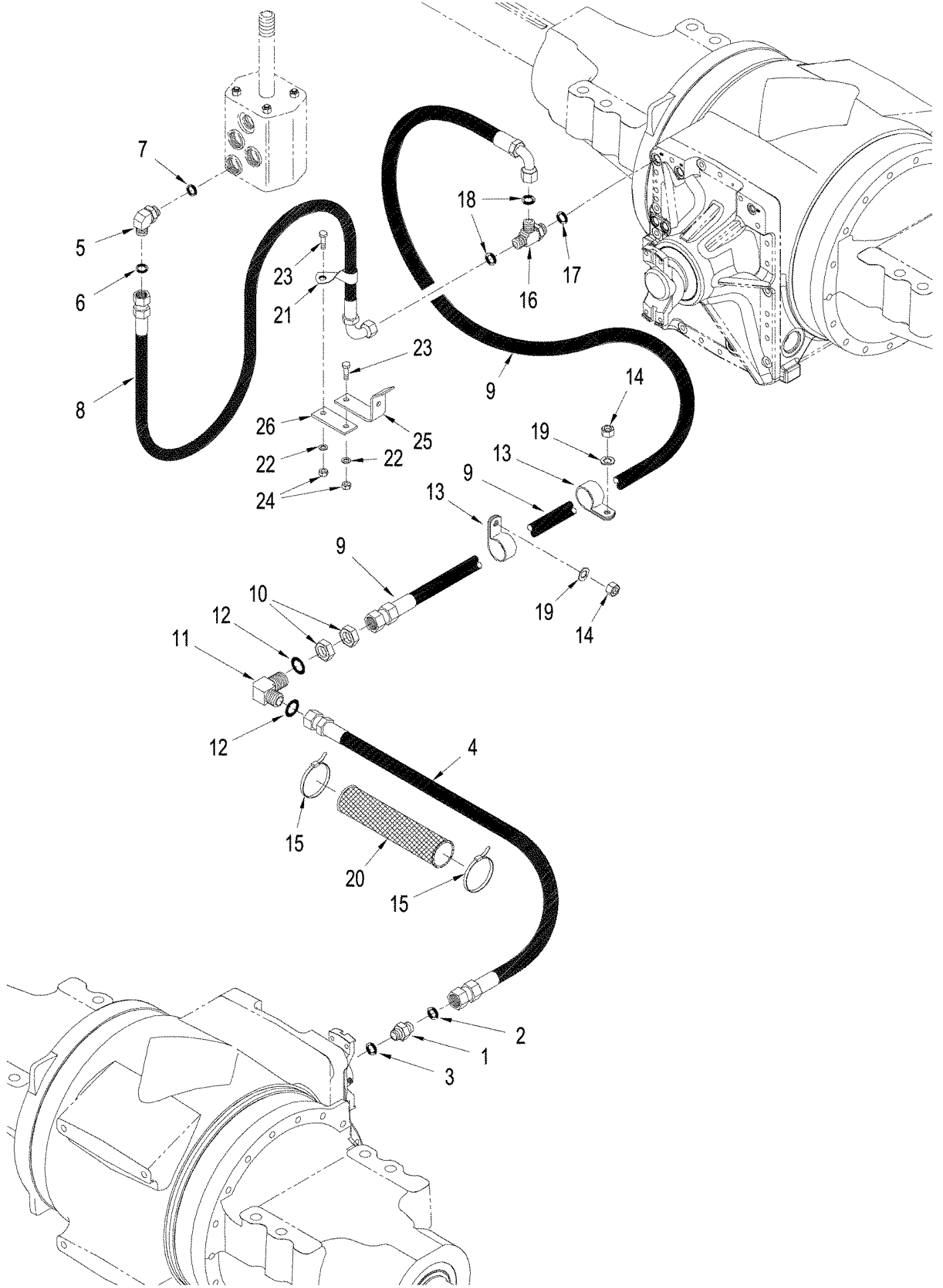
сылка	Номер детали	Кол-во	Описание
1	222462A2	1	PEDAL, Brake
2	87448885	1	SUPPORT, Pedal, Brake / Clutch
3	43139	2	SCREW, Hex, M10 x 25, 8.8, Full Thd,
4	321961A1	2	MOLDING, Rubber
5	281093A1	2	WASHER,
6	278210A1	1	SPRING, Extension
7	279265A2	1	SWITCH, Brake Light
8	281893A1	1	BEARING, Pivot
9	302822A3	1	VALVE, Brake, See Figure(s) : 07-02
10	1537272C1	1	CLEVIS, M10 x 40
11	369851A1	1	ROD,
12	86500689	1	NUT, M10, CI 10,
13	43233	4	BOLT, Hex, M8 x 20, 10.9,
14	86624184	4	WASHER, M8 x 16 x 1.6,
15	86639108	1	PIN, CLEVIS, M10 x 30, 10 x 30 mm
16	86639116	1	PIN, SPLIT (COTTER), M2.5 x 12,
17	86625251	1	WASHER, M10 x 18 x 1.6,
18	345471A1	1	SWITCH, Differential Lock

07-02 BRAKE VALVE ASSY



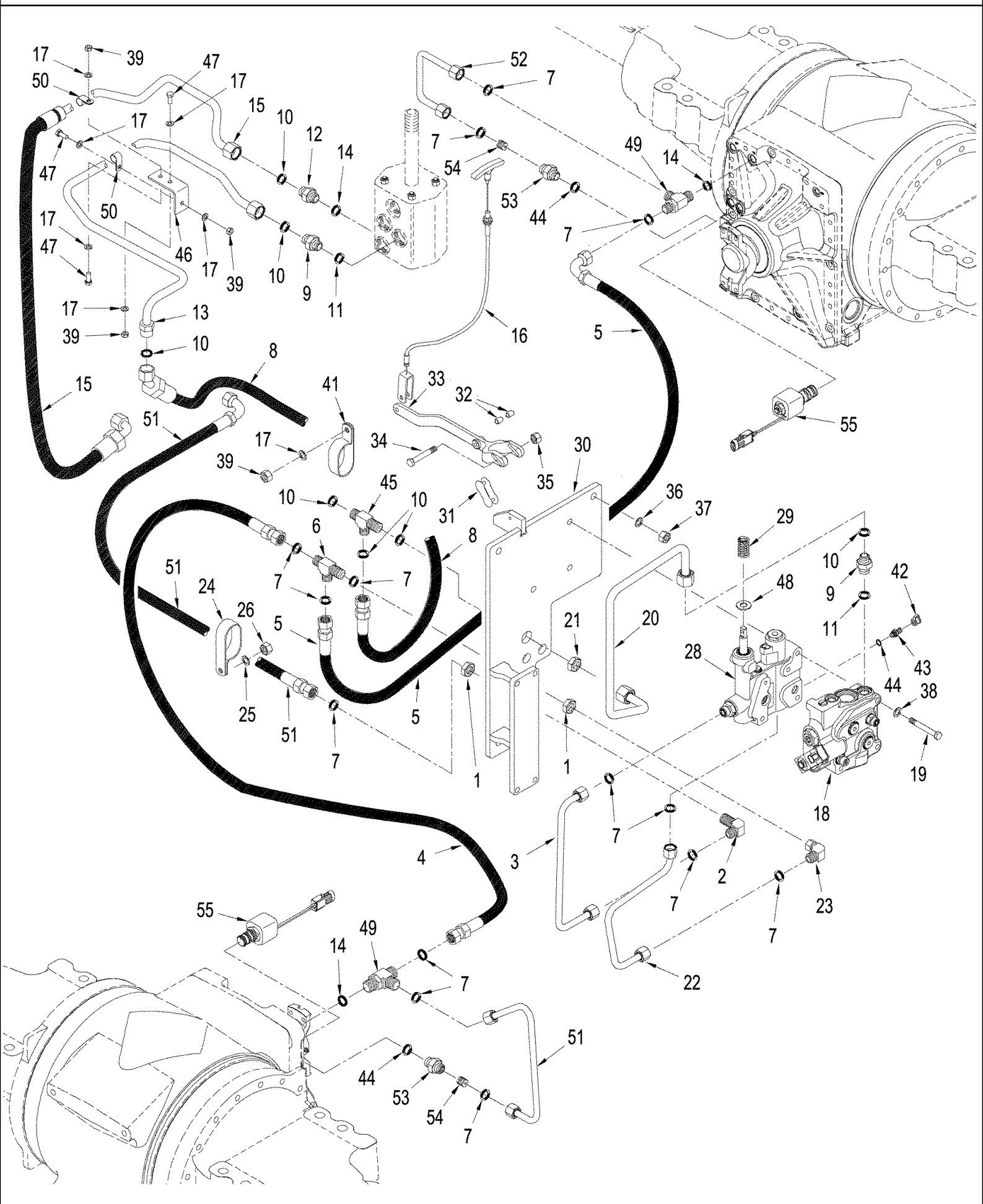
07-02 BRAKE VALVE ASSY

сылка	Номер детали	Кол-во	Описание
	302822A3	1	VALVE, Brake Assy., Inc. 1 - 10
1	NSS	1	NOT SERVICED SEPARATELY, Housing, Brake
2	195806A1	1	SEAL,
3	185613A1	1	SPRING,
4	280297A1	1	SPOOL,
5	291105A1	1	SPRING, Outer
6	291107A1	1	RETAINER,
7	229659A1	1	RING, SNAP, Retaining
8	291106A1	1	STEM,
9	279266A1	1	SWITCH, Inc. 10
10	86513328	1	O-RING, 3-1, .301" ID x .064" Thk,
11	291104A1	1	SPRING,
12	167111	1	RING, SNAP, 1.50", Int, #150,



07-03 450 SERIES AXLE HYDRAULICS - SERVICE BRAKE CIRCUIT

сылка	Номер детали	Кол-во	Описание
1	401760A1	1	VALVE, Check, 13/16 fc sl x 22 or, Inc. 2, 3
2	9992298	1	O-RING, -014, 90 Duro, .489" ID x .070" Thk,
3	86639044	1	O-RING, CI 6, 19.3MM ID x 2.2 Thk,
4	392132A1	1	HOSE ASSY., 2125 mm (84")
5	86579691	1	ELBOW, 90є, 13/16"-18 ORFS x M18 x 1.5 ORB, Inc. 6, 7
6	9992298	1	O-RING, -014, 90 Duro, .489" ID x .070" Thk,
7	86639043	1	O-RING, 15.3 ID x 2.2
8	87364344	1	HOSE, 1105 mm (43-1/2")
9	353609A1	1	HOSE ASSY., 2115 mm (83")
10	86639083	2	NUT, LOCK, 13/16"-16, ORFS Blkhd,
11	86639079	1	ELBOW, 90є, 13/16"-16, ORFS, Blkhd, Inc. 12
12	9992298	2	O-RING, -014, 90 Duro, .489" ID x .070" Thk,
13	86637979	2	CLAMP, 13/16", Insul, 3/8" Bolt, P-type
14	43362	1	NUT, M8, CI 10,
15	L18331	2	STRAP, CABLE,
16	86639058	1	TEE, 13/16"-16 ORFS x M22 x 1.5 ORB Run, Inc. 17, 18
17	86639044	1	O-RING, CI 6, 19.3MM ID x 2.2 Thk,
18	9992298	2	O-RING, -014, 90 Duro, .489" ID x .070" Thk,
19	86624184	1	WASHER, M8 x 16 x 1.6,
20	S120426	1	SLEEVE,
21	R43926	1	CLAMP, 90 Twist, 3/4"
22	895-15008	1	WASHER, M8 x 20 x 1.6,
23	627-8030	1	BOLT, Hex, M8 x 30, 10.9,
24	832-10408	1	NUT, LOCK, M8 x 1.25, CI 8,
25	394446A1	1	PLATE, Mounting
26	L50641	1	CONNECTING STRIP, Bracket

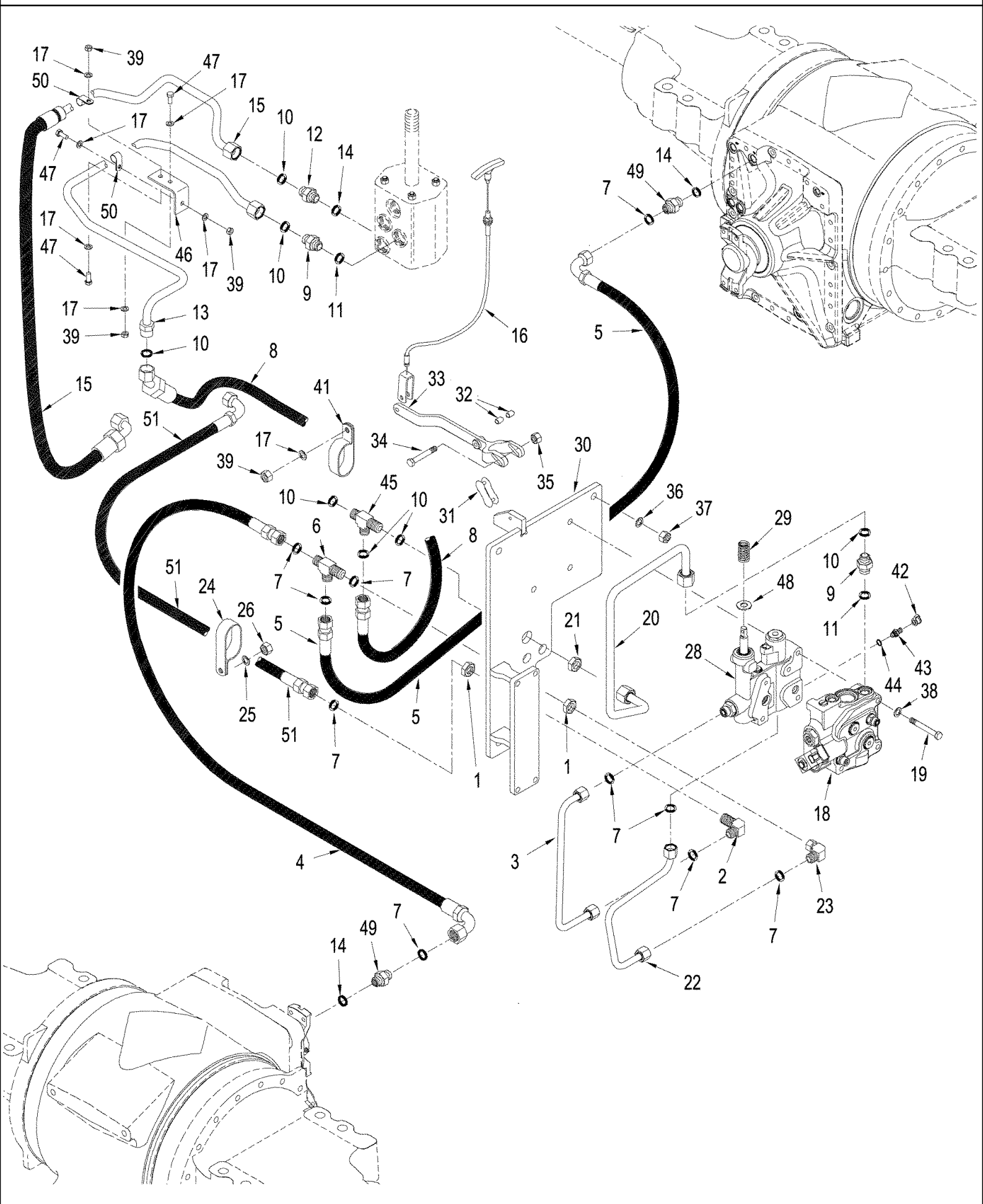


07-04 450 SERIES AXLE HYDRAULICS - PARK BRAKE CIRCUIT, WITH DIFFERENTIAL LOCKS

сылка	Номер детали	Кол-во	Описание
1	86639083	1	NUT, LOCK, 13/16"-16, ORFS Blkhd,
2	86639079	1	ELBOW, 90є, 13/16"-16, ORFS, Blkhd, Inc.7
3	449796A1	1	TUBE ASSY., Tow Valve to Hydraulic Return
4	361955A1	1	HOSE ASSY., 2286 mm (90 in)
5	418814A1	1	HOSE, 2184 mm (86 in)
6	86639080	1	TEE, 13/16"-16 ORFS, Blkd Run, Inc. 7
7	9992298	15	O-RING, -014, 90 Duro, .489" ID x .070" Thk,
8	87309670	1	HOSE, 1170 mm (46 in)
9	86579679	2	CONNECTOR, HYD., 1"-14 ORFS x M18 x 1.5 ORB, Inc. 10, 11
10	9992069	7	O-RING, -016, 90 Duro, .614" ID x .070" Thk,
11	86639043	2	O-RING, 15.3 ID x 2.2
12	86579680	1	CONNECTOR, HYD., 1"-14 ORFS x M22 x 1.5 ORB, Inc. 10, 14
13	87345208	1	TUBE, Brake Supply
14	86639044	3	O-RING, CI 6, 19.3MM ID x 2.2 Thk,
15	87365244	1	TUBE, Return
17	86624184	8	WASHER, M8 x 16 x 1.6,
16	349863A2	1	CABLE, Tow Valve, See Figure: 08-15 for Mounting & Related Parts.
18	87672094	1	VALVE, Regulator, See Figure: 08-12
19	86639150	3	BOLT, Hex, M10 x 150, 10.9,
20	449827A1	1	TUBE ASSY., Regulator to Mounting Plate Tee
21	86639085	1	NUT, LOCK, 1"-14, ORFS Blkhd,
22	449798A1	1	TUBE ASSY., Lower Tow Valve to Mounting Plate Tee
23	84989383	1	ELBOW, 90є, 13/16"-16 ORFS x 13/16"-16 Fem Sw, Inc. 7
24	515-24206	2	CLAMP, 13/16", Insul, 7/16" Bolt,
25	86624176	2	WASHER, M10 x 20 x 2,
26	86500689	2	NUT, M10, CI 10,
27	87424332	1	HOSE ASSY., 1298 mm (51 in)
28	87679712	1	VALVE, Control, Tow Block, See Figure: 08-14
29	361897A1	1	SPRING,
30	449830A1	1	PLATE ASSY., Mounting, Tow Valve
31	86637776	1	LINK, CHAIN, Tow Valve Arm
32	392748A1	2	SPACER,
33	390918A3	1	ARM, Tow Valve
34	86639207	1	BOLT, Hex, M6 x 70, 10.9,
35	412250	1	NUT, LOCK, M8 x 1.25, CI 8,
36	86624177	3	WASHER, M12 x 24 x 2.5,
37	337475	3	NUT, M12, CI 10,
38	86625251	1	WASHER, M10 x 18 x 1.6,
39	43362	7	NUT, M8, CI 10,
41	L111928	1	CLAMP,
	178889A1	1	FITTING, Diagnostic, Inc. 42, 43
42	86502604	1	DUST CAP, Dust
43	NSS	1	NOT SERVICED SEPARATELY, Fitting, Diagnostic, Inc. 44
44	86639042	3	O-RING, CI 6, 11.3MM ID x 2.2 Thk,
45	86639081	1	TEE, 1"-14 ORFS, Blkd Run, Inc. 53

07-04 450 SERIES AXLE HYDRAULICS - PARK BRAKE CIRCUIT, WITH DIFFERENTIAL LOCKS

сылка	Номер детали	Кол-во	Описание
46	87345210	1	BRACKET, Mounting
47	43233	3	BOLT, Hex, M8 x 20, 10.9,
48	86639323	1	WASHER, M17.5 x 30 x 4, HT,
49	86639058	2	TEE, 13/16"-16 ORFS x M22 x 1.5 ORB Run, Inc. 7, 14
50	9706748	2	CLAMP, 5/8", Insul, 5/16" Bolt,
51	416276A1	1	TUBE ASSY., Jumper, Rear Axle
52	416282A1	1	TUBE ASSY., Jumper, Front Axle
	341195A1	2	ORIFICE, Inc. 53 - 56
53	86579674	2	CONNECTOR, HYD., 13/16"-16 ORFS x M14 x 1.5 ORB, Inc. 7, 44
54	NSS	1	NOT SERVICED SEPARATELY, Orifice, M8 x 12
55	384977A1	2	VALVE, Solenoid, Differential Lock, See Figure: 07-09

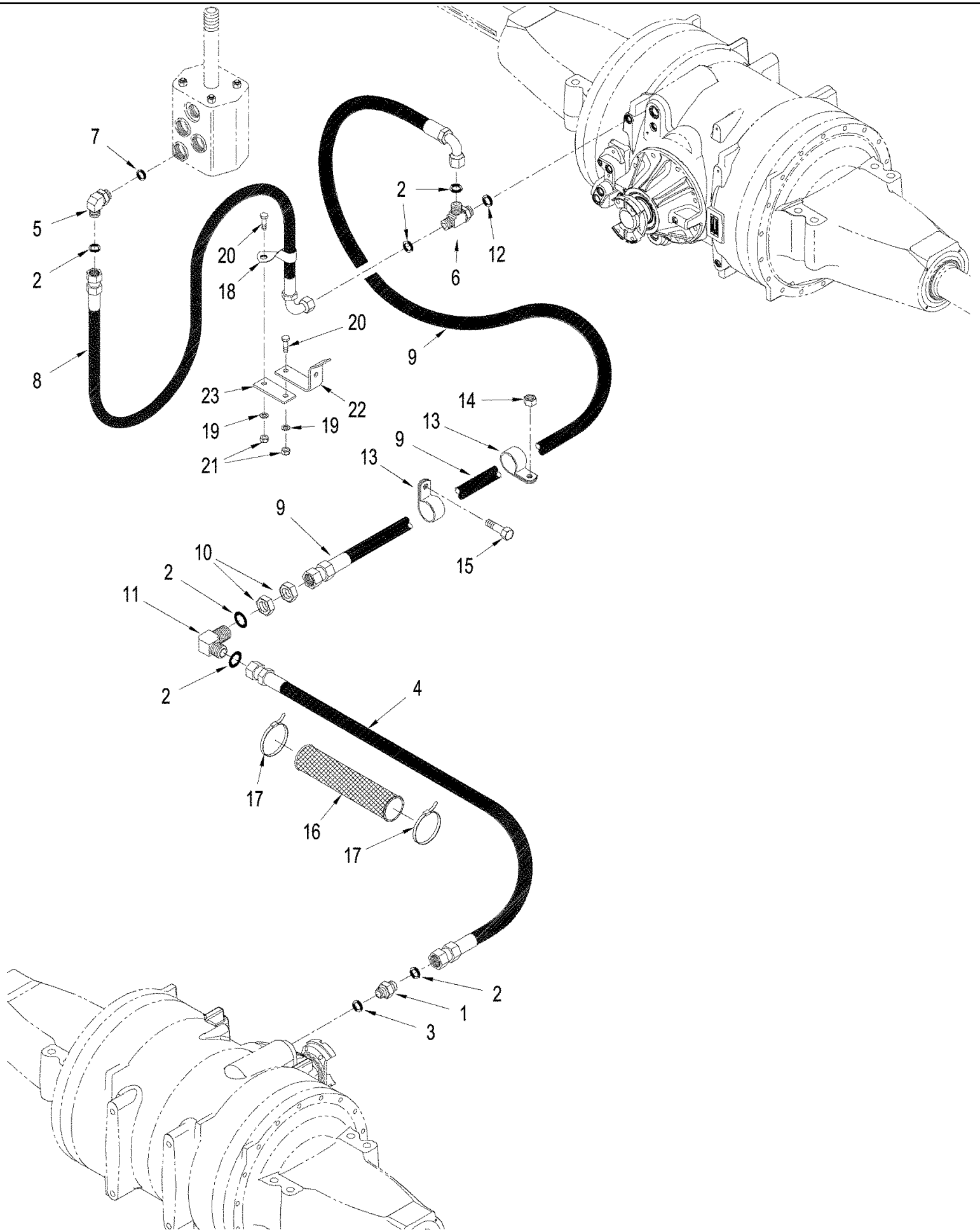


сылка	Номер детали	Кол-во	Описание
1	86639083	1	NUT, LOCK, 13/16"-16, ORFS Blkhd,
2	86639079	1	ELBOW, 90є, 13/16"-16, ORFS, Blkhd, Inc.7
3	449796A1	1	TUBE ASSY., Tow Valve to Hydraulic Return
4	361955A1	1	HOSE ASSY., 2286 mm (90 in)
5	418814A1	1	HOSE, 2184 mm (86 in)
6	86639080	1	TEE, 13/16"-16 ORFS, Blkd Run, Inc. 7
7	9992298	13	O-RING, -014, 90 Duro, .489" ID x .070" Thk,
8	87309670	1	HOSE, 2286 mm (90 in)
9	86579679	2	CONNECTOR, HYD., 1"-14 ORFS x M18 x 1.5 ORB, Inc. 10, 11
10	9992069	6	O-RING, -016, 90 Duro, .614" ID x .070" Thk,
11	86639043	2	O-RING, 15.3 ID x 2.2
12	86579680	1	CONNECTOR, HYD., 1"-14 ORFS x M22 x 1.5 ORB, Inc. 10, 14
13	87345208	1	TUBE, Brake Supply
14	86639044	3	O-RING, CI 6, 19.3MM ID x 2.2 Thk,
15	87365244	1	TUBE, Return
16	349863A2	1	CABLE, Tow Valve, See Figure: 08-15 for Mounting & Related Parts.
17	86624184	2	WASHER, M8 x 16 x 1.6,
18	87672094	1	VALVE, Regulator, See Figure: 08-12
19	86639150	3	BOLT, Hex, M10 x 150, 10.9,
20	449827A2	1	TUBE ASSY., Regulator to Mounting Plate Tee
21	86639085	1	NUT, LOCK, 1"-14, ORFS Blkhd,
22	449798A1	1	TUBE ASSY., Lower Tow Valve to Mounting Plate Tee
23	84989383	1	ELBOW, 90є, 13/16"-16 ORFS x 13/16"-16 Fem Sw, Inc. 7
24	515-24206	2	CLAMP, 13/16", Insul, 7/16" Bolt,
25	86624176	2	WASHER, M10 x 20 x 2,
26	86500689	2	NUT, M10, CI 10,
27	87424332	1	HOSE ASSY., 1298 mm (51 in)
28	87679712	1	VALVE, Control, Tow Block, See Figure: 08-14
29	361897A1	1	SPRING,
30	449830A1	1	PLATE ASSY., Mounting, Tow Valve
31	86637776	1	LINK, CHAIN, Tow Valve Arm
32	392748A1	2	SPACER,
33	390918A3	1	ARM, Tow Valve
34	86639207	1	BOLT, Hex, M6 x 70, 10.9,
35	412250	1	NUT, LOCK, M8 x 1.25, CI 8,
36	86624177	3	WASHER, M12 x 24 x 2.5,
37	337475	3	NUT, M12, CI 10,
38	86625251	1	WASHER, M10 x 18 x 1.6,
39	43362	7	NUT, M8, CI 10,
41	L111928	1	CLAMP, Hose
	178889A1	1	FITTING, Diagnostic, Inc. 42, 43
42	86502604	1	DUST CAP, Dust
43	NSS	1	NOT SERVICED SEPARATELY, Fitting, Diagnostic, Inc. 44
44	86639042	1	O-RING, CI 6, 11.3MM ID x 2.2 Thk,
45	86639081	1	TEE, 1"-14 ORFS, Blkd Run, Inc. 10

T9040 4WD TRACTOR, ASN (8/07-) - Brakes

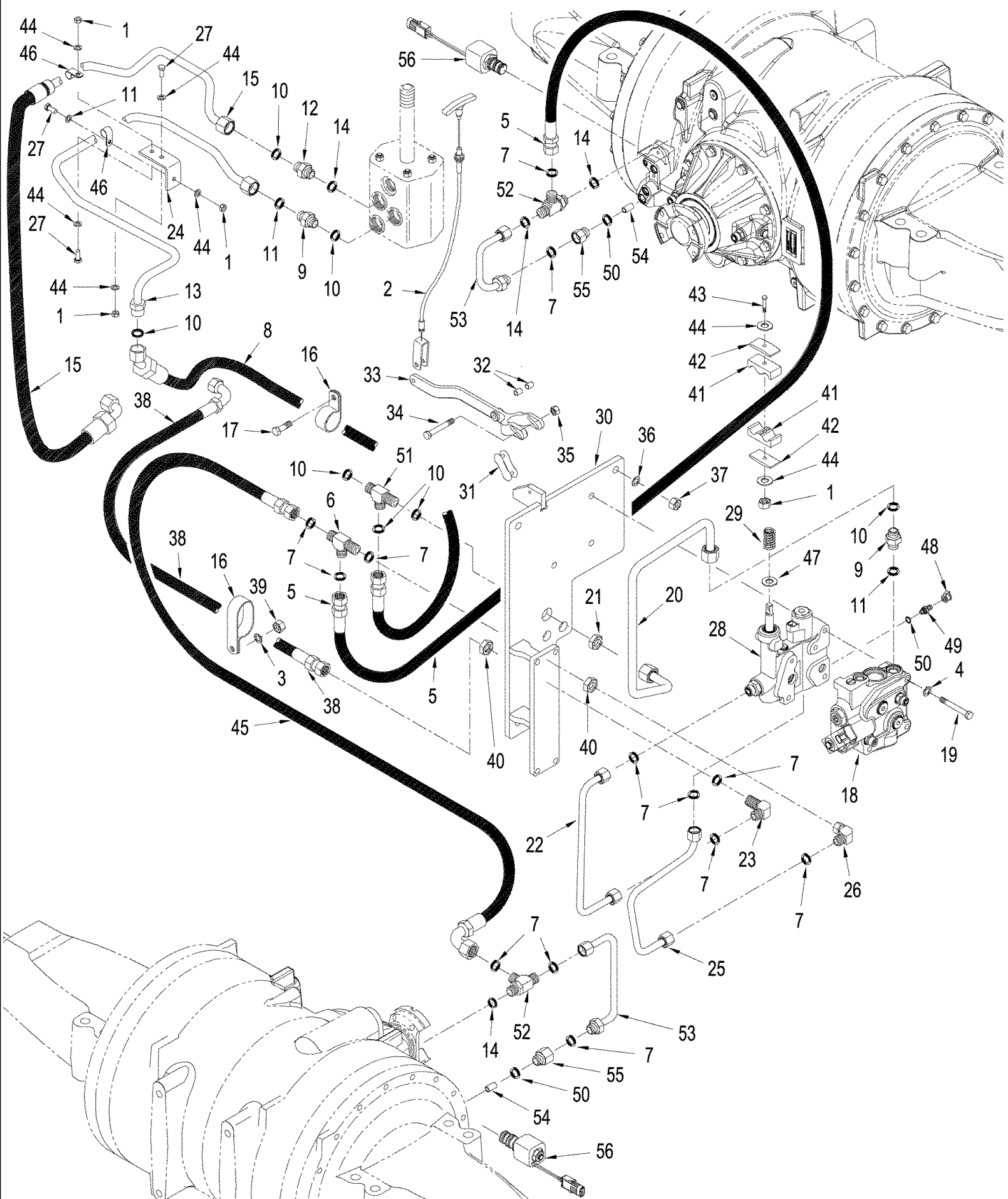
07-05 450 SERIES AXLE HYDRAULICS - PARK BRAKE CIRCUIT, WITHOUT DIFFERENTIAL LOCKS

сылка	Номер детали	Кол-во	Описание
46	87345210	1	BRACKET, Mounting
47	43233	3	BOLT, Hex, M8 x 20, 10.9,
48	86639323	1	WASHER, M17.5 x 30 x 4, HT,
49	86579678	2	CONNECTOR, HYD., 13/16"-16 ORFS x M22 x 1.5 ORB, Inc. 7, 14



07-06 500 SERIES AXLE HYDRAULICS - SERVICE BRAKE CIRCUIT

сылка	Номер детали	Кол-во	Описание
1	401760A1	1	VALVE, Check, 13/16 fc sl x 22 or, Inc. 2, 3
2	9992298	6	O-RING, -014, 90 Duro, .489" ID x .070" Thk,
3	86639044	1	O-RING, CI 6, 19.3MM ID x 2.2 Thk,
4	391243A2	1	HOSE ASSY., 2184 mm (86")
5	86579691	1	ELBOW, 90e, 13/16"-18 ORFS x M18 x 1.5 ORB, Inc. 2, 7
6	86639058	1	TEE, 13/16"-16 ORFS x M22 x 1.5 ORB Run, Inc. 2, 12
7	86639043	1	O-RING, 15.3 ID x 2.2
8	87364344	1	HOSE, 1105 mm (43-1/2")
9	353609A1	1	HOSE ASSY., 2115 mm (83")
10	86639083	2	NUT, LOCK, 13/16"-16, ORFS Blkhd,
11	86639079	1	ELBOW, 90e, 13/16"-16, ORFS, Blkhd, Inc. 2
12	86639044	1	O-RING, CI 6, 19.3MM ID x 2.2 Thk,
13	86637979	2	CLAMP, 13/16", Insul, 3/8" Bolt, P-type
14	43362	1	NUT, M8, CI 10,
15	43234	1	BOLT, Hex, M8 x 25, 10.9,
16	S120426	1	SLEEVE,
17	L18331	1	STRAP, CABLE,
18	R43926	1	CLAMP, 90 Twist, 3/4"
19	895-15008	1	WASHER, M8 x 20 x 1.6,
20	627-8030	1	BOLT, Hex, M8 x 30, 10.9,
21	832-10408	1	NUT, LOCK, M8 x 1.25, CI 8,

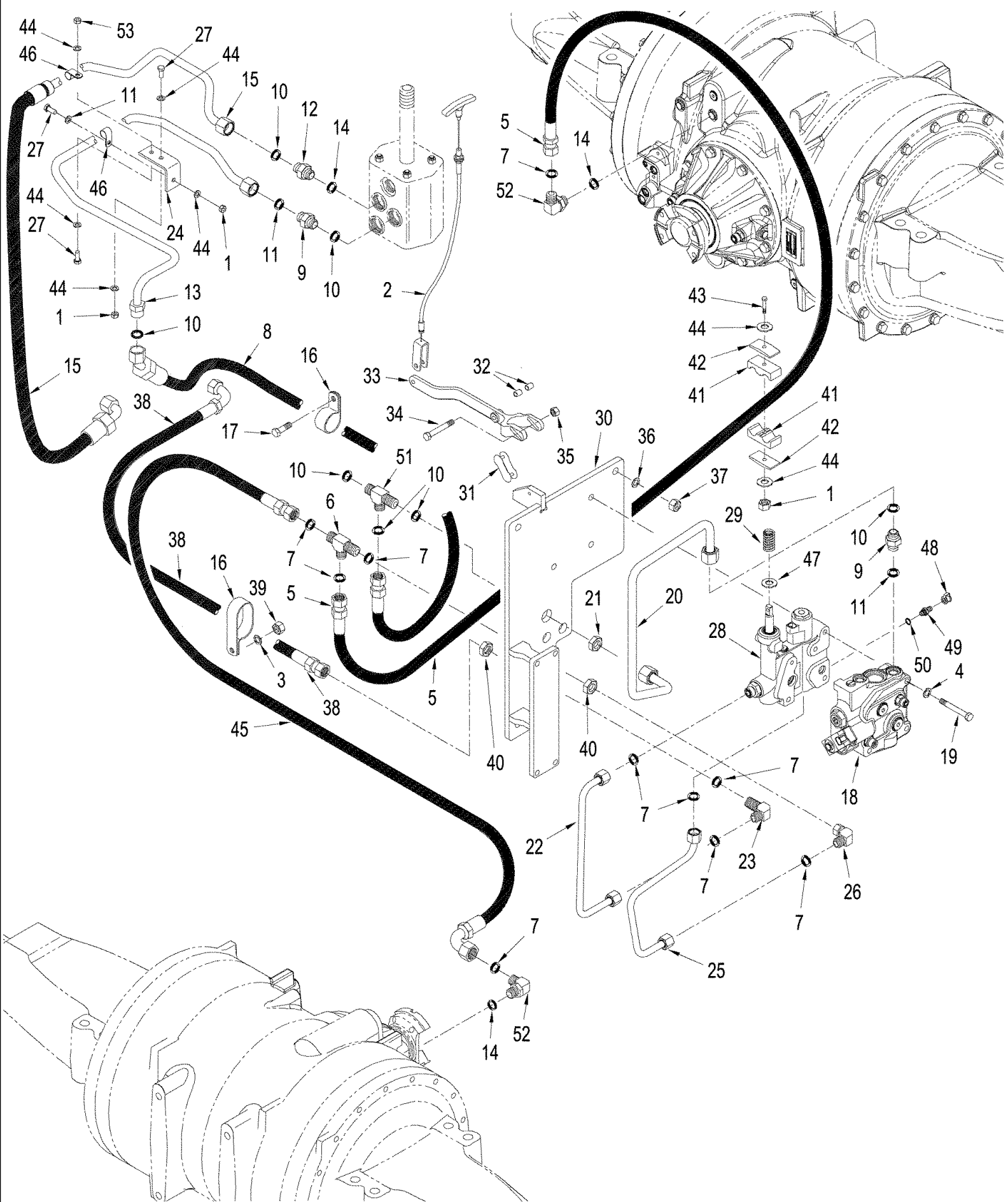


07-07 500 SERIES AXLE HYDRAULICS - PARK BRAKE CIRCUIT, WITH DIFFERENTIAL LOCKS

сылка	Номер детали	Кол-во	Описание
1	43362	4	NUT, M8, CI 10,
2	349863A2	1	CABLE, Tow Valve, See Figure 08-15 for Mounting & Related Parts.
3	86624176	2	WASHER, M10 x 20 x 2,
4	86625251	3	WASHER, M10 x 18 x 1.6,
5	428171A1	1	HOSE ASSY., 2235 mm (88 in)
6	86639080	1	TEE, 13/16"-16 ORFS, Blkd Run,
7	9992298	8	O-RING, -014, 90 Duro, .489" ID x .070" Thk,
8	87309670	1	HOSE, 1170 mm (46 in)
9	86579679	2	CONNECTOR, HYD., 1"-14 ORFS x M18 x 1.5 ORB, Inc. 10, 11
10	9992069	7	O-RING, -016, 90 Duro, .614" ID x .070" Thk,
11	86639043	2	O-RING, 15.3 ID x 2.2
12	86579680	1	CONNECTOR, HYD., 1"-14 ORFS x M22 x 1.5 ORB, Inc 10, 14
13	87345208	1	TUBE, Brake Supply
14	86639044	2	O-RING, CI 6, 19.3MM ID x 2.2 Thk,
15	87365244	1	TUBE, Return
16	515-24206	2	CLAMP, 13/16", Insul, 7/16" Bolt, P-type
17	43233	1	BOLT, Hex, M8 x 20, 10.9,
18	87672094	1	VALVE, Regulator, See Figure: 08-12
19	86639150	3	BOLT, Hex, M10 x 150, 10.9,
20	449827A2	1	TUBE ASSY., Regulator to Mounting Plate Tee
21	86639085	1	NUT, LOCK, 1"-14, ORFS Blkhd,
22	449796A1	1	TUBE ASSY., Tow Valve to Hydraulic Return
23	86639079	1	ELBOW, 90e, 13/16"-16, ORFS, Blkhd, Inc. 7
24	87345210	1	BRACKET, Mounting
25	449798A1	1	TUBE ASSY., Lower Tow Valve to Mouting Plate Tee
26	84989383	1	ELBOW, 90e, 13/16"-16 ORFS x 13/16"-16 Fem Sw, Inc. 7
27	627-8020	1	BOLT, Hex, M8 x 20, 10.9,
28	87679712	1	VALVE, Control, Tow Block, See Figure: 08-14
29	361897A1	1	SPRING,
30	449830A1	1	PLATE ASSY.,
31	86637776	1	LINK, CHAIN,
32	392748A1	2	SPACER,
33	390918A3	1	ARM, Tow Valve
34	86639207	1	BOLT, Hex, M6 x 70, 10.9,
35	412250	1	NUT, LOCK, M8 x 1.25, CI 8,
36	86624177	3	WASHER, M12 x 24 x 2.5,
37	337475	3	NUT, M12, CI 10,
38	87414079	1	HOSE ASSY.,
39	86500689	2	NUT, M10, CI 10,
40	86639083	3	NUT, LOCK, 13/16"-16, ORFS Blkhd,
41	435470A1	2	CLAMP, Hose
42	435468A1	2	PLATE,
43	86556137	1	BOLT, Hex, M8 x 70, 10.9,
44	86624184	8	WASHER, M8 x 16 x 1.6,
45	352112A3	1	HOSE ASSY., 2336 mm (92 in)

07-07 500 SERIES AXLE HYDRAULICS - PARK BRAKE CIRCUIT, WITH DIFFERENTIAL LOCKS

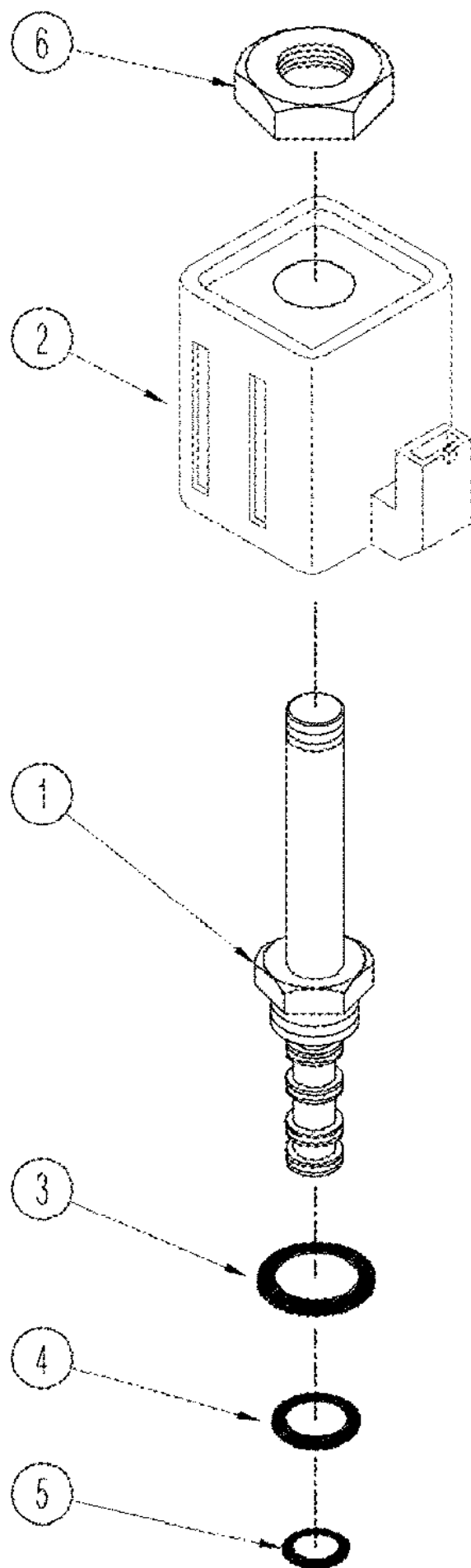
сылка	Номер детали	Кол-во	Описание
46	515-22159	2	CLAMP, 5/8", Insul, 5/16" Bolt,
47	86639323	1	WASHER, M17.5 x 30 x 4, HT,
	178889A1	1	FITTING, Diagnostic, Inc. 48, 49
48	86502604	1	DUST CAP,
49	NSS	1	NOT SERVICED SEPARATELY, Fitting, Diagnostic, Inc. 50
50	86639042	3	O-RING, CI 6, 11.3MM ID x 2.2 Thk,
51	86639081	1	TEE, 1"-14 ORFS, Blkd Run, Inc. 10
52	86639058	2	TEE, 13/16"-16 ORFS x M22 x 1.5 ORB Run, Inc. 7, 14
53	416697A1	2	TUBE ASSY., Jumper
	341195A1	2	ORIFICE, Inc. 54, 55
54	86639306	2	SET SCREW, Hex Soc, M8 x 12, Cup Pt,
55	86579674	2	CONNECTOR, HYD., 13/16"-16 ORFS x M14 x 1.5 ORB, Inc. 60, 61
56	384977A1	2	VALVE, Solenoid, Differential Lock, See Figure: 07-09



07-08 500 SERIES AXLE HYDRAULICS - PARK BRAKE CIRCUIT,WITHOUT DIFFERENTIAL LOCKS

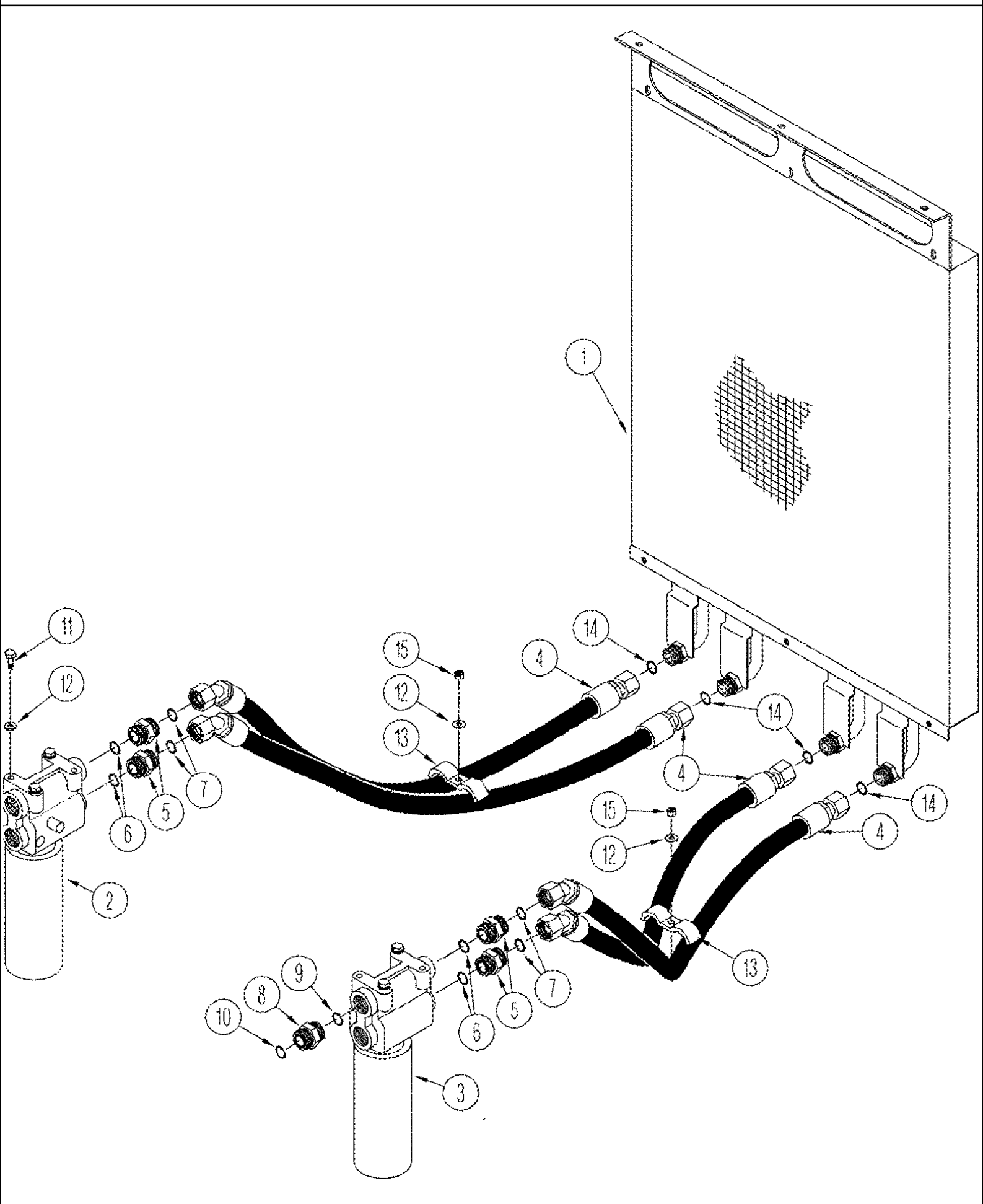
сылка	Номер детали	Кол-во	Описание
1	43362	1	NUT, M8, CI 10,
2	349863A2	1	CABLE, Tow Valve, See Figure: 08-15 for Mounting & Related Parts
3	86624176	2	WASHER, M10 x 20 x 2,
4	86625251	3	WASHER, M10 x 18 x 1.6,
5	428171A1	1	HOSE ASSY., 2235 mm (88 in)
6	86639080	1	TEE, 13/16"-16 ORFS, Blkd Run,
7	9992298	3	O-RING, -014, 90 Duro, .489" ID x .070" Thk,
8	87416123	1	HOSE ASSY., 2286 mm (90 in)
9	86579679	2	CONNECTOR, HYD., 1"-14 ORFS x M18 x 1.5 ORB, Inc. 10, 11
10	9992069	2	O-RING, -016, 90 Duro, .614" ID x .070" Thk,
11	86639043	2	O-RING, 15.3 ID x 2.2
12	86579680	1	CONNECTOR, HYD., 1"-14 ORFS x M22 x 1.5 ORB, Inc. 10, 14
13	87345208	1	TUBE, Brake Supply
14	86639044	2	O-RING, CI 6, 19.3MM ID x 2.2 Thk,
15	87365244	1	TUBE, Return
16	515-24206	2	CLAMP, 13/16", Insul, 7/16" Bolt, P-type
17	43233	1	BOLT, Hex, M8 x 20, 10.9,
18	87672094	1	VALVE, Regulator, See Figure: 08-12
19	86639150	3	BOLT, Hex, M10 x 150, 10.9,
20	449827A2	1	TUBE ASSY., Regulator to Mounting Plate Tee
21	86639085	1	NUT, LOCK, 1"-14, ORFS Blkhd,
22	449796A1	1	TUBE ASSY., Tow Valve to Hydraulic Return
23	86639079	1	ELBOW, 90e, 13/16"-16, ORFS, Blkhd, Inc. 7
24	87345210	1	BRACKET, Mounting, Brake Tubes
25	449798A1	1	TUBE ASSY., Lower Tow Valve to Mounting Plate Tee
26	84989383	1	ELBOW, 90e, 13/16"-16 ORFS x 13/16"-16 Fem Sw, Inc. 7
27	627-8020	3	BOLT, Hex, M8 x 20, 10.9,
28	87679712	1	VALVE, Control, Tow Block, See Figure: 08-14
29	361897A1	1	SPRING,
30	449830A1	1	PLATE ASSY., Mounting, Tow Valve
31	86637776	1	LINK, CHAIN, Tow Valve Arm
32	392748A1	2	SPACER,
33	390918A3	1	ARM, Tow Valve
34	86639207	1	BOLT, Hex, M6 x 70, 10.9,
35	412250	1	NUT, LOCK, M8 x 1.25, CI 8,
36	86624177	3	WASHER, M12 x 24 x 2.5,
37	337475	3	NUT, M12, CI 10,
38	87414079	1	HOSE ASSY.,
39	86500689	2	NUT, M10, CI 10,
40	86639083	3	NUT, LOCK, 13/16"-16, ORFS Blkhd,
41	435470A1	2	CLAMP, Hose
42	435468A1	2	PLATE,
43	86556137	1	BOLT, Hex, M8 x 70, 10.9,
44	86624184	8	WASHER, M8 x 16 x 1.6,
45	352112A3	1	HOSE ASSY., 2336 mm (92 in)

сылка	Номер детали	Кол-во	Описание
46	515-22159	2	CLAMP, 5/8", Insul, 5/16" Bolt,
47	86639323	1	WASHER, M17.5 x 30 x 4, HT,
	178889A1	1	FITTING, Diagnostic, Inc. 48, 49
48	86502604	1	DUST CAP, Dust
49	NSS	1	NOT SERVICED SEPARATELY, Fitting, Diagnostic, Inc. 50
50	86639042	1	O-RING, CI 6, 11.3MM ID x 2.2 Thk,
51	86639081	1	TEE, 1"-14 ORFS, Blkd Run, Inc. 52
52	86579692	2	ELBOW, 90є, 13/16"-18 ORFS x M22 x 1.5 ORB, Inc. 7, 14



07-09 VALVE ASSY - DIFFERENTIAL LOCK

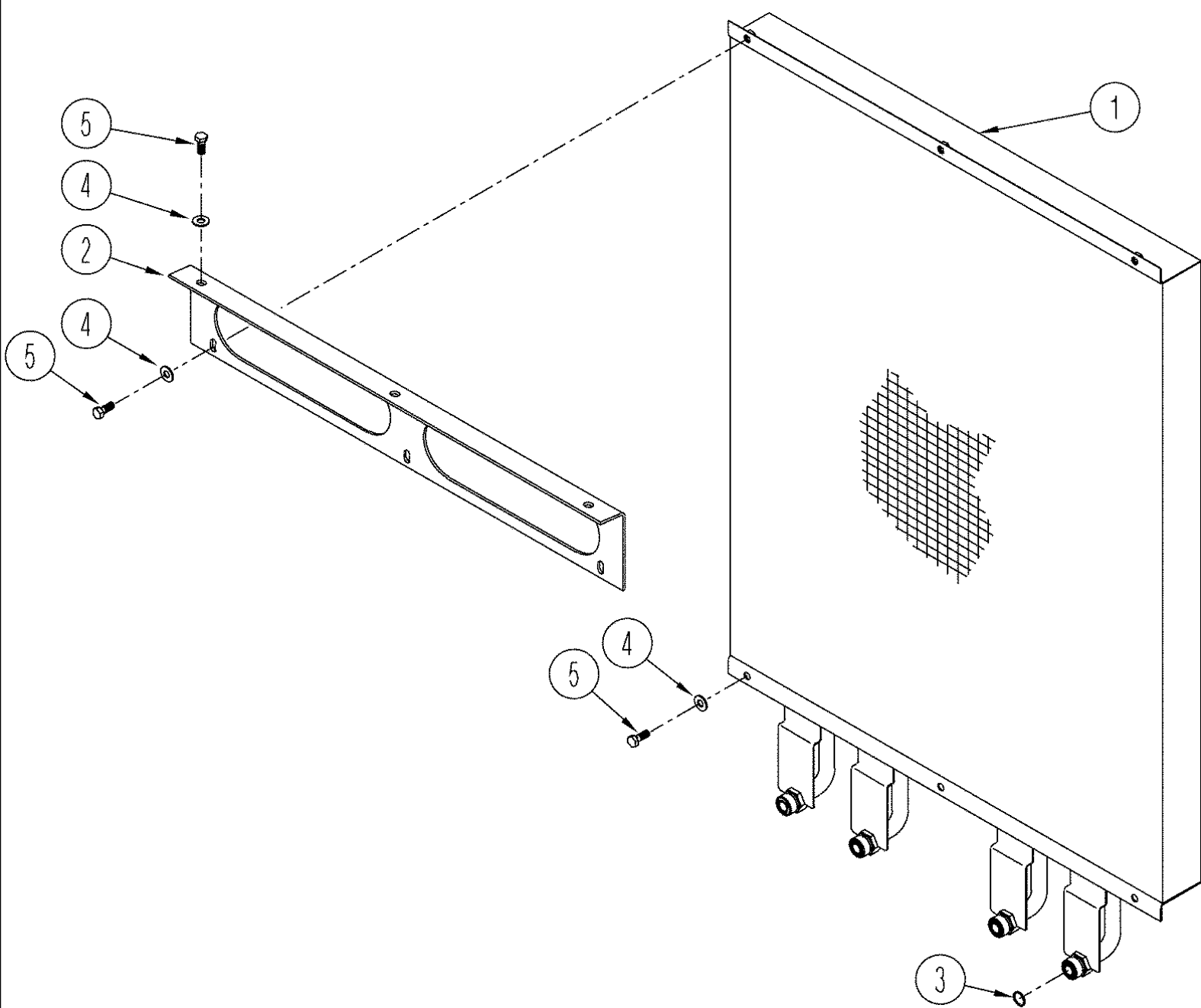
сылка	Номер детали	Кол-во	Описание
	384977A1	1	VALVE, Differential Lock, Inc. 1 - 6
1	384976A1	1	CARTRIDGE,
2	353941A1	1	COIL,
3	167269	1	O-RING, 10-1, 90 Duro, .755" ID x .097" Thk,
4	14453280	1	O-RING, -015, 70 Duro, .551" ID x .070" Thk,
5	130282	1	O-RING, -014, 70 Duro, .489" ID x .070" Thk,
6	NSS	1	NOT SERVICED SEPARATELY, Nut



T9040 4WD TRACTOR, ASN (8/07-) - Hydraulic System

08-01 HYDRAULIC OIL COOLER, T9030 / 9040

сылка	Номер детали	Кол-во	Описание
1	87312759	1	COOLER, Oil
2	REF	1	INSTRUCTION, Head Filter, Transmission, LH, See Figure: 08-04
3	REF	1	INSTRUCTION, Head Filter, Axle Lubrication, RH, See Figure: 8-04
4	377614A1	4	HOSE ASSY., 1022 mm (45 in)
5	86579682	4	CONNECTOR, HYD., 1 3/16"-12 ORFS x M27 x 2 ORB, Inc. 6 & 7
6	9991976	4	O-RING, -018, 90 Duro, .739" ID x .070" Thk,
7	86639045	4	O-RING, CI 6, 23.6MM ID x 2.9 Thk,
8	86580179	2	CONNECTOR, HYD., 1 7/16"-12 ORFS x M22 x 2 ORB, Inc. 9, 10
9	9993141	2	O-RING, -012, 90 Duro, .364" ID x .070" Thk,
10	86639046	2	O-RING, CI 6, 29.6MM ID x 2.9 Thk,
11	9846677	4	BOLT, Hex, M10 x 25, 10.9, Full Thd,
12	86624176	6	WASHER, M10 x 20 x 2,
13	R15257	2	CLAMP,
14	9992069	4	O-RING, -016, 90 Duro, .614" ID x .070" Thk,
15	86500689	2	NUT, M10, CI 10,

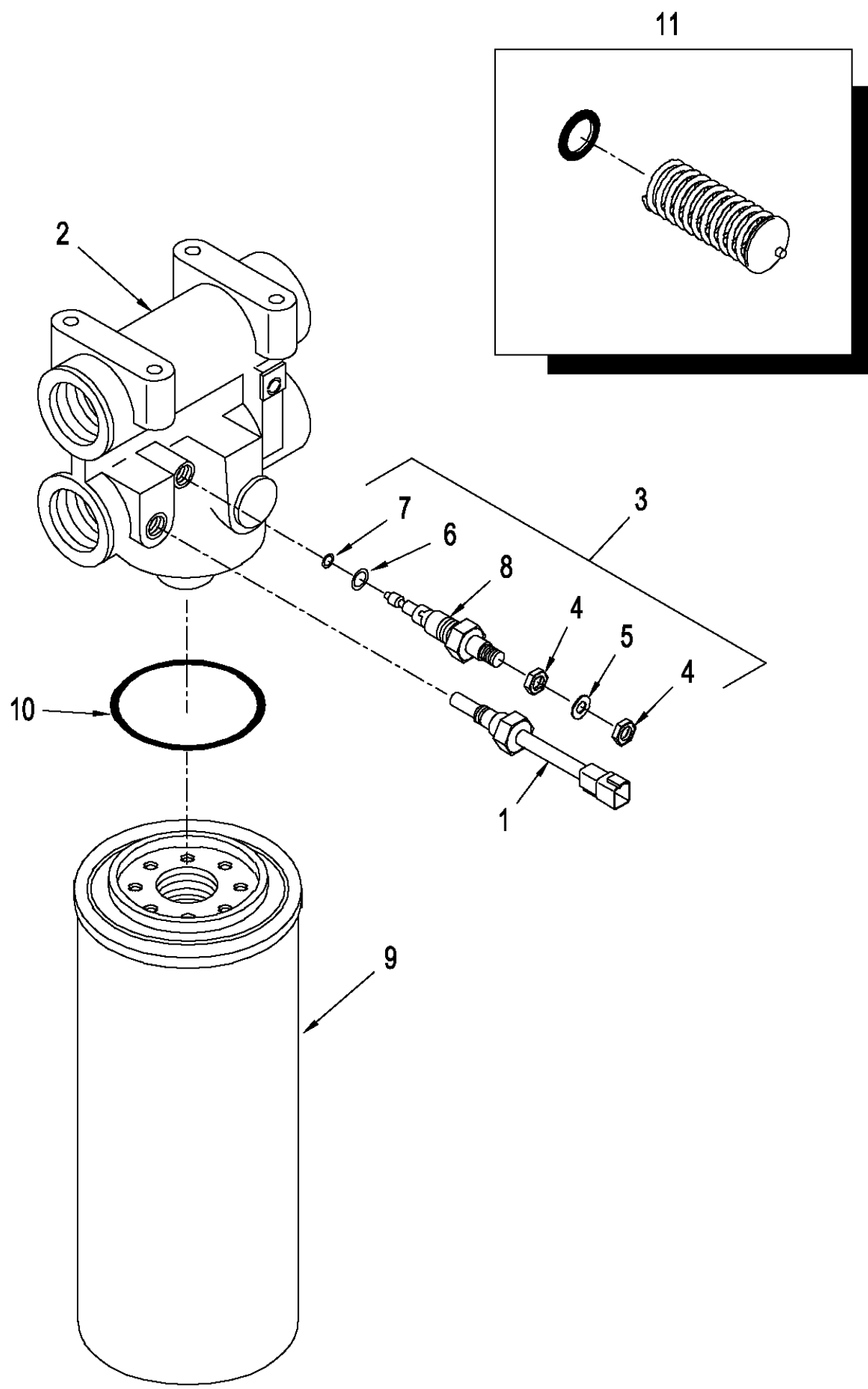


T9040 4WD TRACTOR, ASN (8/07-) - Hydraulic System

08-04 HYDRAULIC OIL COOLER MOUNTING, T9030 / 9040

сылка	Номер детали	Кол-во	Описание
1	87312759	1	COOLER, Oil
2	302339A1	1	ANGLE, Oil Cooler Mounting
3	9992069	4	O-RING, -016, 90 Duro, .614" ID x .070" Thk,
4	86625263	9	WASHER, M8 x 20 x 1.6,
5	43233	9	BOLT, Hex, M8 x 20, 10.9,

08-05 OIL FILTER - AXLE AND TRANSMISSION

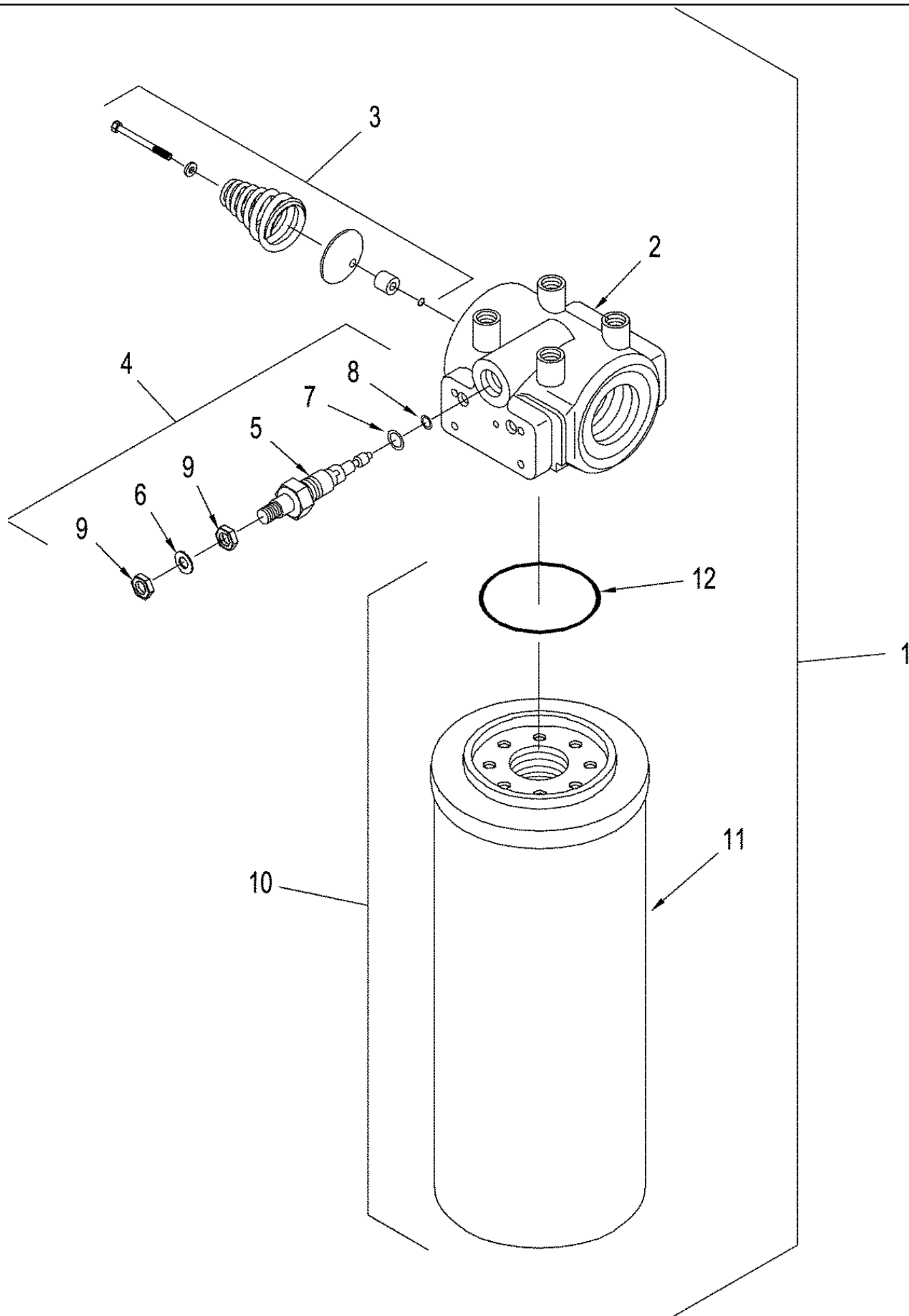


T9040 4WD TRACTOR, ASN (8/07-) - Hydraulic System

08-05 OIL FILTER - AXLE AND TRANSMISSION

сылка	Номер детали	Кол-во	Описание
1	87521424	1	SENDER, TEMPERATURE, Temperature Sender
2	87524855	1	Head, Filter, Axle Lubrication, RH
2	87524854	1	Head, Filter, Transmission Lubrication, LH
3	N6755	1	INDICATOR, Restriction, Inc. 4 - 8
4	86625058	2	NUT, #10-32, LH,
5	280254	1	WASHER, LOCK, Int Tooth, #10,
6	9617873	1	O-RING, 6-1, 90 Duro, .468" ID x .078" Thk,
7	9672548	1	O-RING, -011, 70 Duro, .301" ID x .070" Thk,
8	NSS	1	NOT SERVICED SEPARATELY, Switch, Indicator Restriction
9	86989735	1	FILTER, HYDRAULIC OIL, Inc. 10
10	1986552C2	1	O-RING,
11	443097A1	1	KIT, Check Valve, Outline

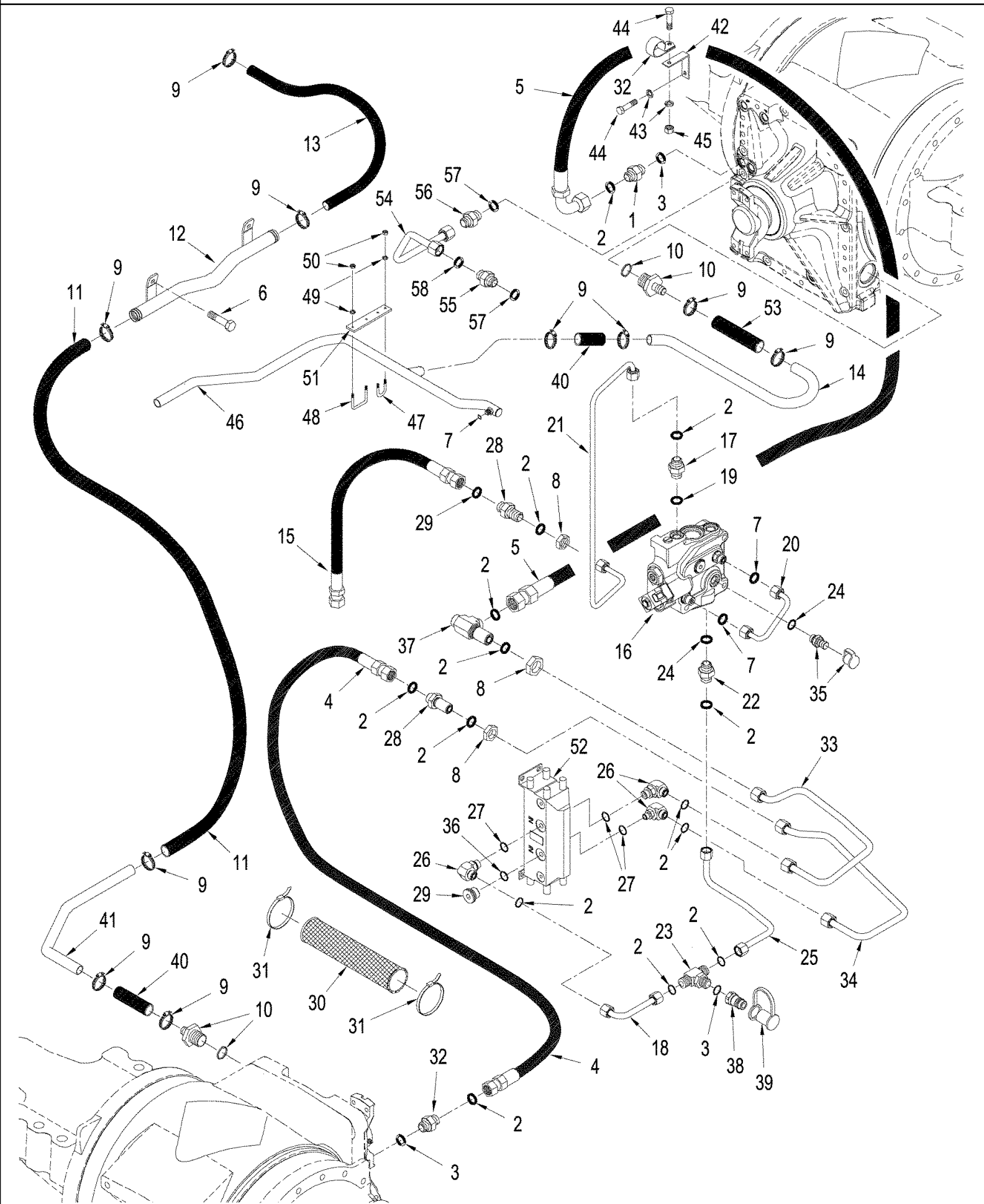
08-06 OIL FILTER - MAIN HYDRAULICS (BELOW BATTERY)



T9040 4WD TRACTOR, ASN (8/07-) - Hydraulic System

08-06 OIL FILTER - MAIN HYDRAULICS (BELOW BATTERY)

сылка	Номер детали	Кол-во	Описание
1	86991559	1	FILTER ASSY, Inc. 2 - 12
2	87409374	1	Head, Filter,
3	NSS	1	NOT SERVICED SEPARATELY, Valve, By-Pass
4	N6755	1	INDICATOR, Restriction, Inc. 5 - 9
5	NSS	1	NOT SERVICED SEPARATELY, Indicator
6	280254	1	WASHER, LOCK, Int Tooth, #10,
7	9617873	1	O-RING, 6-1, 90 Duro, .468" ID x .078" Thk,
8	9672548	1	O-RING, -011, 70 Duro, .301" ID x .070" Thk,
9	86625058	2	NUT, #10-32, LH,
10	86018758	1	FILTER, HYDRAULIC OIL, Inc. 11 & 12
11	NSS	1	NOT SERVICED SEPARATELY, Element
12	NSS	1	NOT SERVICED SEPARATELY, O-Ring



08-07 450 SERIES AXLE HYDRAULICS - LUBRICATION CIRCUIT

сылка	Номер детали	Кол-во	Описание
1	86579678	2	CONNECTOR, HYD., 13/16"-16 ORFS x M22 x 1.5 ORB, Inc. 2, 3
2	9992298	15	O-RING, -014, 90 Duro, .489" ID x .070" Thk,
3	86639044	2	O-RING, CI 6, 19.3MM ID x 2.2 Thk,
4	390659A2	1	HOSE ASSY., 2178 mm (86 in)
5	87413875	1	HOSE,
6	43234	2	BOLT, Hex, M8 x 25, 10.9,
7	9993141	3	O-RING, -012, 90 Duro, .364" ID x .070" Thk,
8	86639083	3	NUT, LOCK, 13/16"-16, ORFS Blkhd,
9	507586	6	CLAMP, HOSE, #20, 0.81/1.75 Type F Worm, No. 20
10	337545A1	2	CONNECTOR, HYD., Axle Drain
11	404991A1	1	HOSE, 38, Cut From : S118383
12	87388066	1	TUBE, HYD,
13	87390647	1	HOSE,
14	416727A1	1	TUBE,
15	87414080	1	HOSE ASSY.,
16	87672094	1	VALVE, Regulator, See Figure: 08-12
17	86579675	1	CONNECTOR, HYD., 13/16"-16 ORFS x M16 x 1.5 ORB, Inc. 2, 19
18	87307544	1	TUBE ASSY.,
19	86642449	1	O-RING, CI 6, 13.3MM ID x 2.2 Thk,
20	413338A1	1	TUBE ASSY.,
21	449800A1	1	TUBE ASSY.,
22	86579676	1	CONNECTOR, HYD., 13/16"-16 ORFS x M18 x 1.5 ORB, Inc. 2, 24
23	700-447	1	TEE, 13/16"-16 ORFS x M22 x 1.5 ORB Br, Inc. 2, 24
24	86639043	2	O-RING, 15.3 ID x 2.2
25	87307521	1	TUBE ASSY.,
26	9992307	3	ELBOW, 90e, 13/16"-16 x 3/4"-18 Adj, ORFS, Inc. 2, 27
27	86642448	3	O-RING, CI 6, 9.3MM ID x 2.2 Thk,
28	X4837565	2	FITTING, 13/16 fc sl x blkhd, Inc. 2
29	86590562	1	PLUG, Hex Soc, 3/4"-16 ORB, Inc. 36
30	334783A1	1	SLEEVE, 24"
31	L18331	2	STRAP, CABLE, 15"
32	86637979	1	CLAMP, 13/16", Insul, 3/8" Bolt,
33	449813A2	1	TUBE ASSY.,
33	449813A2	1	TUBE ASSY., 19.3 ID x 2.2 mm
34	449815A2	2	TUBE ASSY.,
35	358968A1	1	COUPLING, M18 orb x 1.5, Diagnostic, Inc. 24
36	167266	1	O-RING, 12-1, 90 Duro, .924 ID x .116" Thk,
38	392690A1	1	COUPLING,
39	399032A1	1	CAP,
40	435457A1	2	HOSE, 102 mm (4 in), Cut From : 443082A1
41	416729A1	1	TUBE ASSY.,
42	416512A1	1	BRACKET,
43	86624184	2	WASHER, M8 x 16 x 1.6,
44	43233	2	BOLT, Hex, M8 x 20, 10.9,
45	43362	1	NUT, M8, CI 10,

T9040 4WD TRACTOR, ASN (8/07-) - Hydraulic System

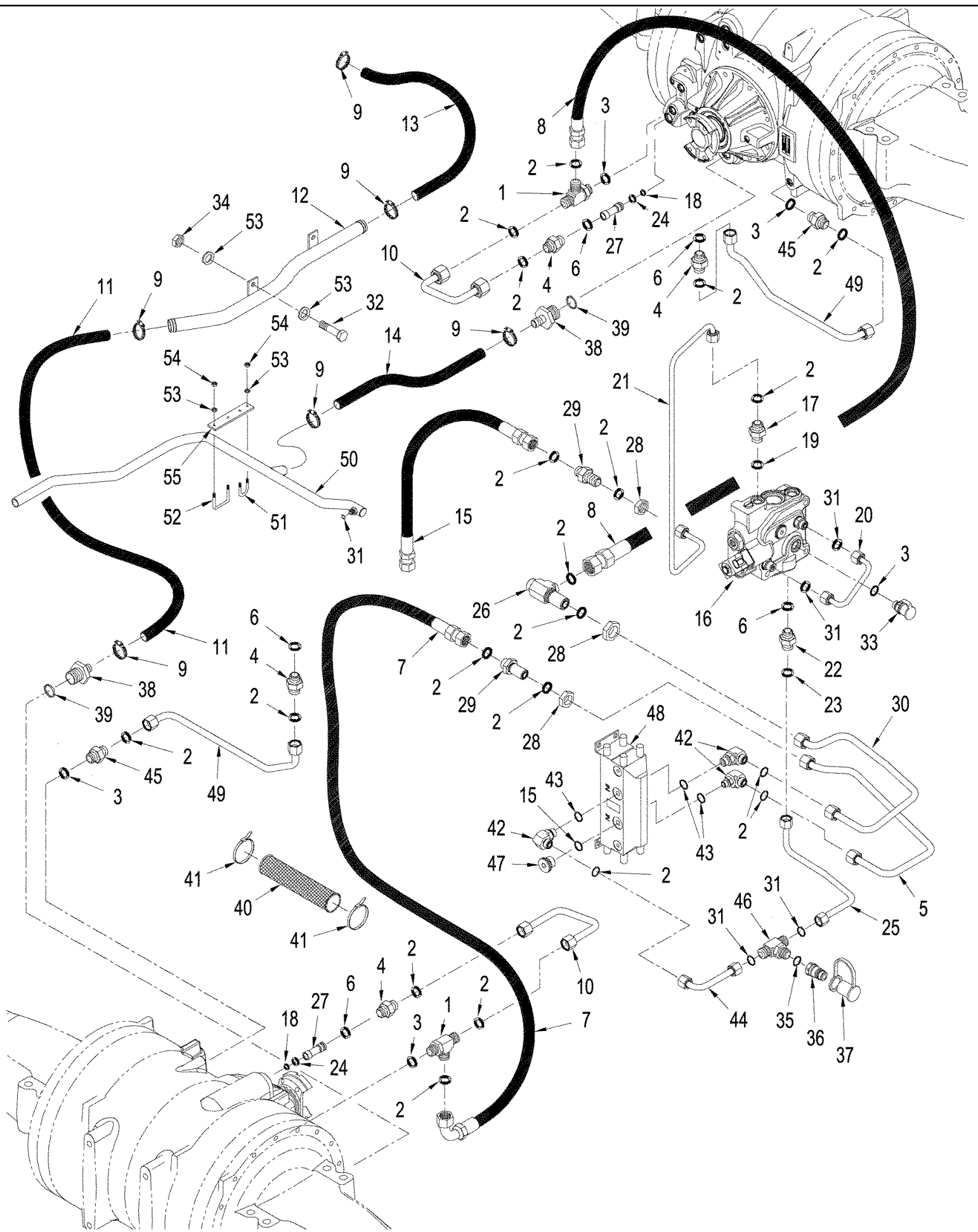
08-07 450 SERIES AXLE HYDRAULICS - LUBRICATION CIRCUIT

сылка	Номер детали	Кол-во	Описание
46	409614A1	1	TUBE ASSY., Return
47	253105A1	2	U-BOLT,
48	396490A1	2	U-BOLT,
49	86624184	8	WASHER, M8 x 16 x 1.6,
50	86528579	8	NUT, LOCK, M8 x 1.25, CI 10,
51	87535336	2	BRACKET,
52	434727A1	1	MOTOR-PUMP, Axle Air / Lube
53	437116A1	1	HOSE, LARGE, 127 mm (5 in), Cut From: 443082A1
54	86991772	1	TUBE, Pinion Lube
55	700-153	1	CONNECTOR, HYD., 9/16"-18 ORFS x M14 x 1.5 ORB, Inc. 57 & 58
56	86985637	1	FITTING, M14 or x 1.6 orifice, Inc. 57
57	637-63113	2	O-RING, CI 6, 11.3MM ID x 2.2 Thk,
58	238-6011	1	O-RING, -011, 90 Duro, .301" ID x .070" Thk,

T9040 4WD TRACTOR, ASN (8/07-) - Hydraulic System

08-08 450 SERIES AXLE HYDRAULICS - AIR AND LUBRICATION CIRCUIT

сылка	Номер детали	Кол-во	Описание
1	86579676	1	CONNECTOR, HYD., 13/16"-16 ORFS x M18 x 1.5 ORB, Inc. 2, 3
2	86639043	1	O-RING, 15.3 ID x 2.2
3	9992298	6	O-RING, -014, 90 Duro, .489" ID x .070" Thk,
4	436927A1	1	HOSE ASSY., 2045 mm (80 1/2in), Used without Power Take Off
5	87016877	3	ELBOW, 90є, 13/16"-16 x 9/16"-18, Adj, ORFS, Inc. 6, 3
6	86642448	3	O-RING, CI 6, 9.3MM ID x 2.2 Thk,
7	449794A1	1	TUBE ASSY.,
8	87323932	1	FITTING, Special, Inc. 3, 6
9	87381645	1	TUBE, Air Supply, Pump Motor
10	86992953	3	HOSE ASSY.,
11	434727A1	1	MOTOR-PUMP, Axle Air / Lube
12	43234	4	BOLT, Hex, M8 x 25, 10.9,
13	43362	7	NUT, M8, CI 10,
14	86624184	10	WASHER, M8 x 16 x 1.6,
15	86637979	1	CLAMP, 13/16", Insul, 3/8" Bolt,
16	416512A1	4	BRACKET,
17	86624005	2	CLAMP, 3/4", Insul, 3/8" Bolt,
18	43233	8	BOLT, Hex, M8 x 20, 10.9,
19	86639083	1	NUT, LOCK, 13/16"-16, ORFS Blkhd,
20	86639079	3	ELBOW, 90є, 13/16"-16, ORFS, Blkhd, Inc. 21
21	9992298	7	O-RING, -014, 90 Duro, .489" ID x .070" Thk,
22	416102A1	1	SUPPORT, Bracket
23	449825A1	1	TUBE ASSY., Air Lube
24	86993932	1	HOSE ASSY., 1353 mm (53-1/4")
25	87413731	1	TUBE ASSY.,
26	86579692	1	ELBOW, 90є, 13/16"-18 ORFS x M22 x 1.5 ORB, Inc. 54
27	86639044	1	O-RING, CI 6, 19.3MM ID x 2.2 Thk,
28	86010402	2	CLAMP, 1/2", Insul, 3/8" Bolt,
29	86579678	1	CONNECTOR, HYD., 13/16"-16 ORFS x M22 x 1.5 ORB, Inc. 45, 57
30	86639044	1	O-RING, CI 6, 19.3MM ID x 2.2 Thk,
31	449817A2	1	TUBE ASSY.,
32	86992542	1	TUBE ASSY.,
33	86639083	2	NUT, LOCK, 13/16"-16, ORFS Blkhd,
34	449823A1	1	TUBE ASSY., Return, Charged Pressure
35	X4837565	1	FITTING, 13/16 fc sl x blkhd, Inc. 3
36	86994373	1	HOSE ASSY., 2150 mm (84-1/2 in)
37	9515003	4	BOLT, Hex, M10 x 30, 10.9, Full Thd,
38	86625252	4	WASHER, M10 x 21.5 x 2.5, HT,
39	86500689	4	NUT, M10, CI 10,
40	87413733	1	BRACKET,



T9040 4WD TRACTOR, ASN (8/07-) - Hydraulic System

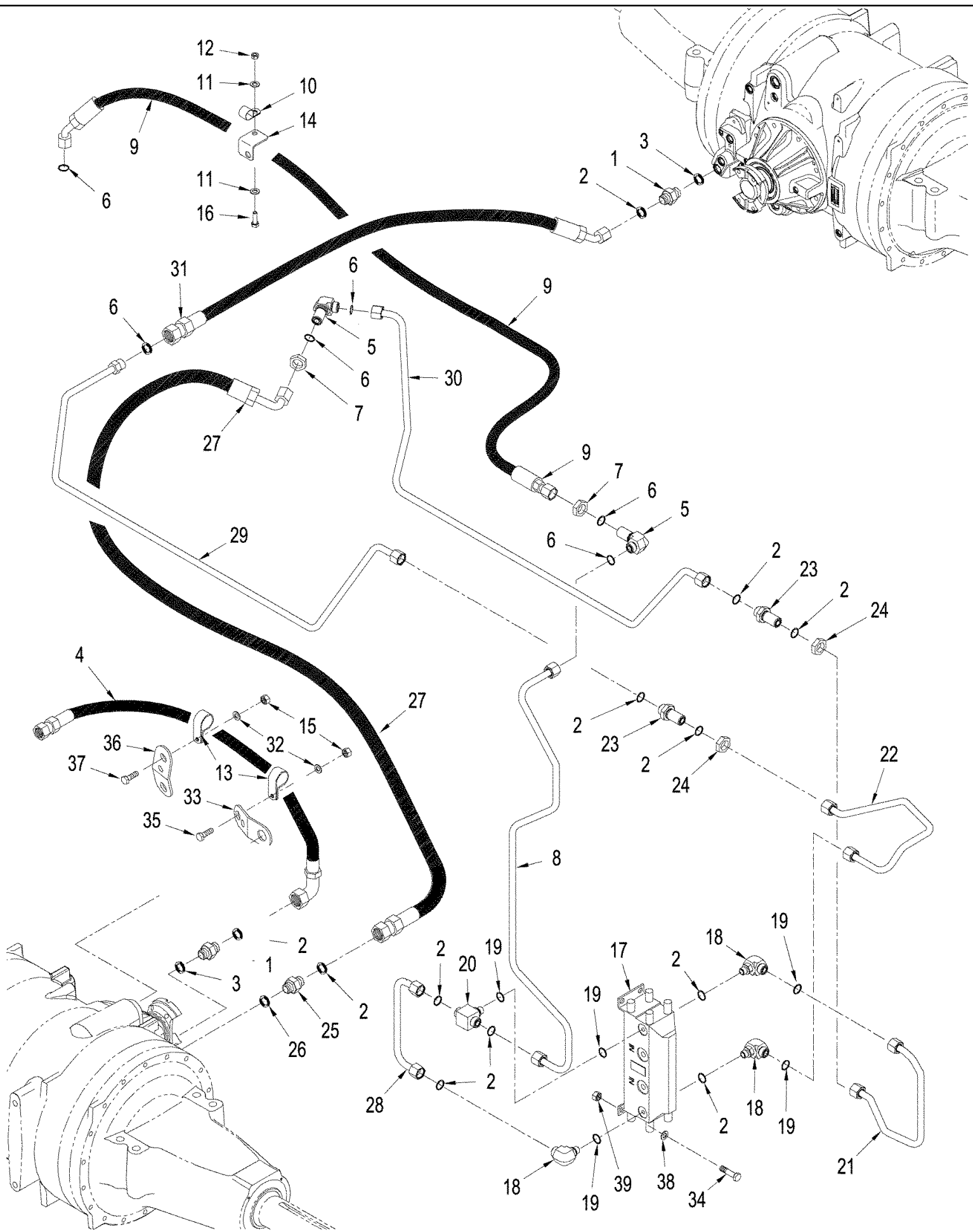
08-09 500 SERIES AXLE HYDRAULICS - LUBRICATION CIRCUIT

сылка	Номер детали	Кол-во	Описание
1	86639058	2	TEE, 13/16"-16 ORFS x M22 x 1.5 ORB Run, Inc. 2, 3
2	9992298	15	O-RING, -014, 90 Duro, .489" ID x .070" Thk,
3	86639044	5	O-RING, CI 6, 19.3MM ID x 2.2 Thk,
4	86579676	4	CONNECTOR, HYD., 13/16"-16 ORFS x M18 x 1.5 ORB, Inc. 2, 6
5	449815A2	1	TUBE ASSY.,
6	86639043	3	O-RING, 15,3 ID x 2,2
7	353607A3	1	HOSE ASSY., 2165 mm (85 in)
8	87413874	1	HOSE ASSY.,
9	507586	6	CLAMP, HOSE, #20, 0.81/1.75 Type F Worm, No. 20
10	451013A1	2	TUBE ASSY., Jumper
11	353649A1	1	HOSE, 1346 mm (53 in), Cut From : 443082A1
12	87376395	1	TUBE, HYD,
13	87390647	1	HOSE, Rear Axle to Hydraulic Tank
14	395933A1	1	HOSE, 356 mm (14 in), Cut From : S118383
15	80167266	1	O-RING,
16	87672094	1	VALVE, Regulator, See Figure: 08-12
17	86579675	1	CONNECTOR, HYD., 13/16"-16 ORFS x M16 x 1.5 ORB, Inc. 2, 19
18	9672548	2	O-RING, -011, 70 Duro, .301" ID x .070" Thk,
19	86642449	1	O-RING, CI 6, 13.3MM ID x 2.2 Thk,
20	413338A1	1	TUBE ASSY., Jumper
21	449800A1	1	TUBE ASSY.,
22	86579676	1	CONNECTOR, HYD., 13/16"-16 ORFS x M18 x 1.5 ORB, Inc. 23, 24
23	9992298	1	O-RING, -014, 90 Duro, .489" ID x .070" Thk,
24	128999	2	O-RING, -111, 70 Duro, .424" ID x .103" Thk,
25	87307521	2	TUBE ASSY.,
26	86639079	1	ELBOW, 90e, 13/16"-16, ORFS, Blkhd, Inc. 2
27	87400028	2	ORIFICE, Pinnion Cover
28	86639083	3	NUT, LOCK, 13/16"-16, ORFS Blkhd,
29	X4837565	2	FITTING, 13/16 fc sl x blkhd, Inc. 2
30	449813A2	1	TUBE ASSY.,
31	9993141	3	O-RING, -012, 90 Duro, .364" ID x .070" Thk,
32	43234	2	BOLT, Hex, M8 x 25, 10.9,
33	358968A1	1	COUPLING, M18 orb x 1,5, Diagnostic, Inc. 3
34	43362	6	NUT, M8, CI 10,
35	86639043	1	O-RING, 15,3 ID x 2,2 mm
36	392690A1	1	COUPLING, Diagnostic
37	399032A1	1	CAP, Dust
38	390348A1	2	STEM, M33 orb x barb, Axle Drain, Inc. 39
39	86639046	2	O-RING, CI 6, 29.6MM ID x 2.9 Thk,
40	334783A1	1	SLEEVE,
41	L18331	2	STRAP, CABLE, Tie
42	9992307	4	ELBOW, 90e, 13/16"-16 x 3/4"-18 Adj, ORFS, 90, 1/2 or x13/16 fc sl, Inc. 43, 2
43	86642448	1	O-RING, CI 6, 9.3MM ID x 2.2 Thk,
44	87307544	1	TUBE ASSY.,
45	86579678	2	CONNECTOR, HYD., 13/16"-16 ORFS x M22 x 1.5 ORB, Inc. 2, 3

T9040 4WD TRACTOR, ASN (8/07-) - Hydraulic System

08-09 500 SERIES AXLE HYDRAULICS - LUBRICATION CIRCUIT

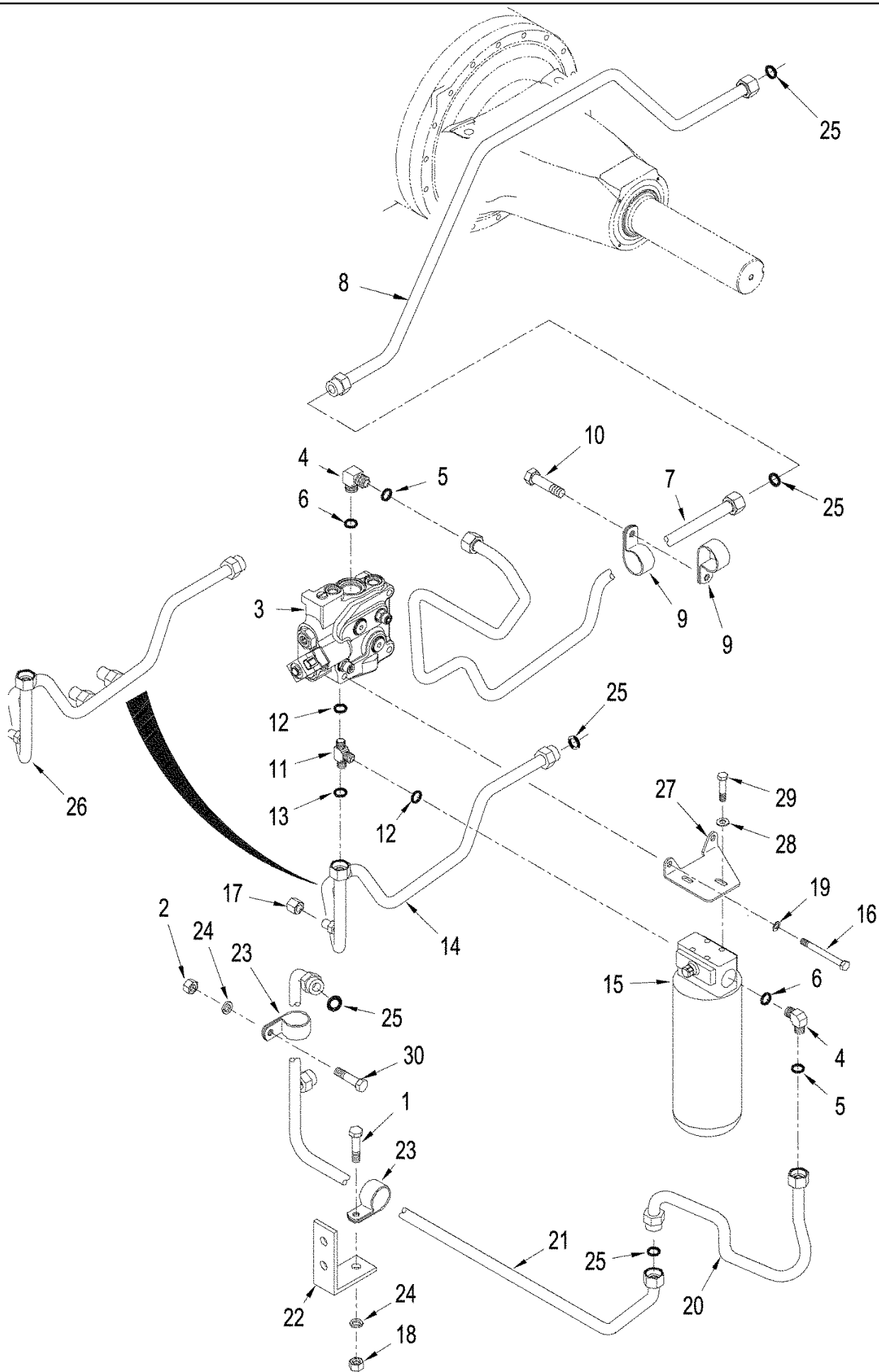
сылка	Номер детали	Кол-во	Описание
46	700-447	1	TEE, 13/16"-16 ORFS x M22 x 1.5 ORB Br, Inc. 2
47	86590562	1	PLUG, Hex Soc, 3/4"-16 ORB, Soc Hd, 3/4" or, Inc. 56
48	434727A1	1	MOTOR-PUMP, Axle Air / Lube
49	87400024	2	TUBE ASSY., Final Drive, Long
50	409614A1	1	TUBE ASSY., Return
51	253105A1	2	U-BOLT,
52	396490A1	2	U-BOLT,
53	86624184	16	WASHER, M8 x 16 x 1.6,
54	86528579	8	NUT, LOCK, M8 x 1.25, Cl 10,
55	409609A1	2	PLATE,
56	167266	1	O-RING, 12-1, 90 Duro, .924 ID x .116" Thk,



T9040 4WD TRACTOR, ASN (8/07-) - Hydraulic System

08-10 500 SERIES AXLE HYDRAULICS - AIR AND LUBRICATION CIRCUIT

сылка	Номер детали	Кол-во	Описание
1	86579676	2	CONNECTOR, HYD., 13/16"-16 ORFS x M18 x 1.5 ORB, Inc. 2, 3
2	9992298	12	O-RING, -014, 90 Duro, .489" ID x .070" Thk,
3	86639043	1	O-RING, 15,3 ID x 2,2
4	436864A1	1	HOSE ASSY., 533 mm (21")
5	86639079	2	ELBOW, 90є, 13/16"-16, ORFS, Blkhd, Inc. 6, 7
6	9992298	3	O-RING, -014, 90 Duro, .489" ID x .070" Thk,
7	86639083	1	NUT, LOCK, 13/16"-16, ORFS Blkhd,
8	87381645	1	TUBE, Air Supply, Pump Motor
9	86992953	1	HOSE ASSY., 1715 mm (67-1/2 in)
10	86637979	3	CLAMP, 13/16", Insul, 3/8" Bolt,
11	86624184	2	WASHER, M8 x 16 x 1.6,
12	43362	2	NUT, M8, CI 10,
13	515-23190	2	CLAMP, 3/4", Insul, 3/8" Bolt, P-type
14	416102A1	1	SUPPORT, Bracket
15	43362	7	NUT, M8, CI 10,
16	43234	1	BOLT, Hex, M8 x 25, 10.9,
17	434727A1	2	MOTOR-PUMP, Axle Air / Lube
18	87016877	3	ELBOW, 90є, 13/16"-16 x 9/16"-18, Adj, ORFS, Inc. 2, 19
19	86642448	3	O-RING, CI 6, 9.3MM ID x 2.2 Thk,
20	87323932	1	FITTING, Special, 1/2 or x fc sl, Inc. 2, 19
21	449817A2	1	TUBE ASSY.,
22	86992542	1	TUBE ASSY.,
23	X4837565	2	FITTING, 13/16 fc sl x blkhd, Inc. 2
24	86639083	2	NUT, LOCK, 13/16"-16, ORFS Blkhd,
25	86579678	1	CONNECTOR, HYD., 13/16"-16 ORFS x M22 x 1.5 ORB, Inc. 2, 26
26	86639044	1	O-RING, CI 6, 19.3MM ID x 2.2 Thk,
27	87400117	1	HOSE ASSY., 2299 mm (90-1/2 in), Used without Power Take Off
28	449825A1	1	TUBE ASSY., Air Lube
29	449794A1	1	TUBE ASSY., Return, Charged Pressure
30	449823A1	1	TUBE ASSY.,
31	86993937	4	HOSE ASSY., 1194 mm (47 in)
32	86624184	4	WASHER, M8 x 16 x 1.6,
33	417271A1	1	BRACKET,
34	89515003	4	SCREW,
35	120104	1	SCREW, Hex, M8 x 20, 8.8,
36	417272A1	1	BRACKET,
37	43235	1	BOLT, Hex, M8 x 30, 10.9,
38	86625252	4	WASHER, M10 x 21.5 x 2.5, HT,
39	86500689	4	NUT, M10, CI 10,

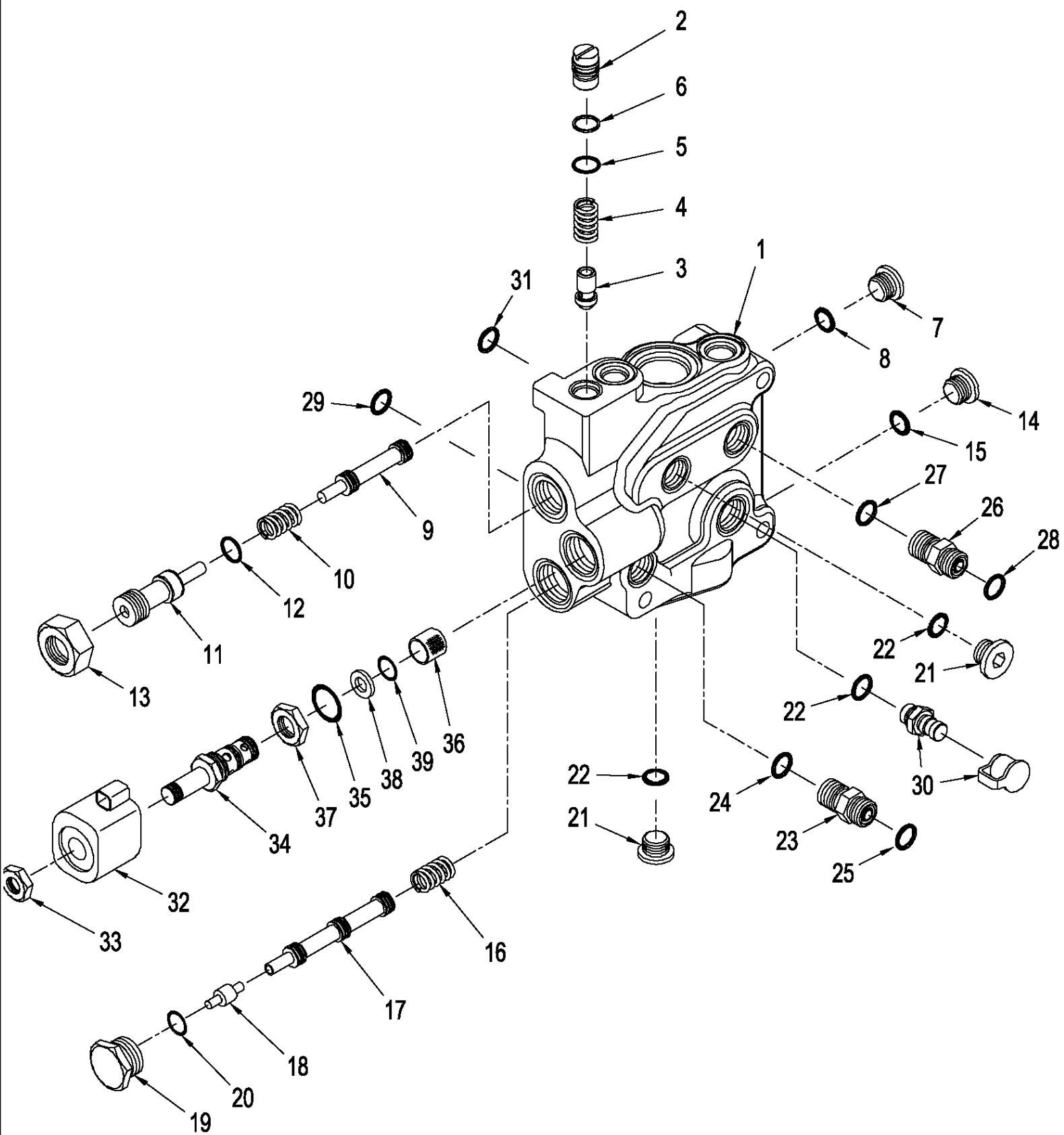


T9040 4WD TRACTOR, ASN (8/07-) - Hydraulic System

08-11 450 / 500 SERIES AXLE HYDRAULICS - COOLING CIRCUIT

сылка	Номер детали	Кол-во	Описание
1	43234	4	BOLT, Hex, M8 x 25, 10.9,
2	43362	3	NUT, M8, CI 10,
3	87672094	1	VALVE, Regulator, See Figure: 08-12
4	86580180	2	ELBOW, 90°, 1 7/16"-12 ORFS x M33 x 2 ORB, Inc. 18 & 19
5	9824050	2	O-RING, -021, 90 Duro, .926" ID x .070" Thk,
6	86639046	2	O-RING, CI 6, 29.6MM ID x 2.9 Thk,
7	418818A1	1	TUBE ASSY.,
8	87439123	1	TUBE,
9	R15257	2	CLAMP,
10	9780069	2	BOLT, Hex, M8 x 40, 10.9,
11	328232A1	1	TEE, Inc. 12 & 13
12	86639046	2	O-RING, CI 6, 29.6MM ID x 2.9 Thk,
13	9824050	1	O-RING, -021, 90 Duro, .926" ID x .070" Thk,
14	87310970	1	TUBE, HYD, Pump Supply
15	86991559	1	FILTER ASSY, Main Hydraulic (Below Battery), See Figure: 08-06
16	86639150	3	BOLT, Hex, M10 x 150, 10.9,
17	9840576	1	CAP, 1"-14 ORFS, , With Electronic Three Point Hitch
18	832-10408	2	NUT, LOCK, M8 x 1.25, CI 8,
19	86625251	2	WASHER, M10 x 18 x 1.6,
20	418820A1	1	TUBE ASSY.,
21	416708A1	1	TUBE ASSY.,
22	451507A1	2	BRACKET,
23	86637977	3	CLAMP, 1", Insul, 5/16" Bolt,
24	86624184	3	WASHER, M8 x 16 x 1.6,
25	9824050	5	O-RING, -021, 90 Duro, .926" ID x .070" Thk,
26	418816A2	1	TUBE ASSY., Pump Supply, Used with Mega Flow Application
27	413322A1	1	BRACKET, Mounting, Main Hydraulic Filter
28	86625251	4	WASHER, M10 x 18 x 1.6,
29	9861444	4	BOLT, Hex, M10 x 20, 10.9, Full Thd,
30	627-8030	1	BOLT, Hex, M8 x 30, 10.9,

08-12 REGULATOR VALVE ASSY

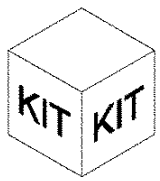
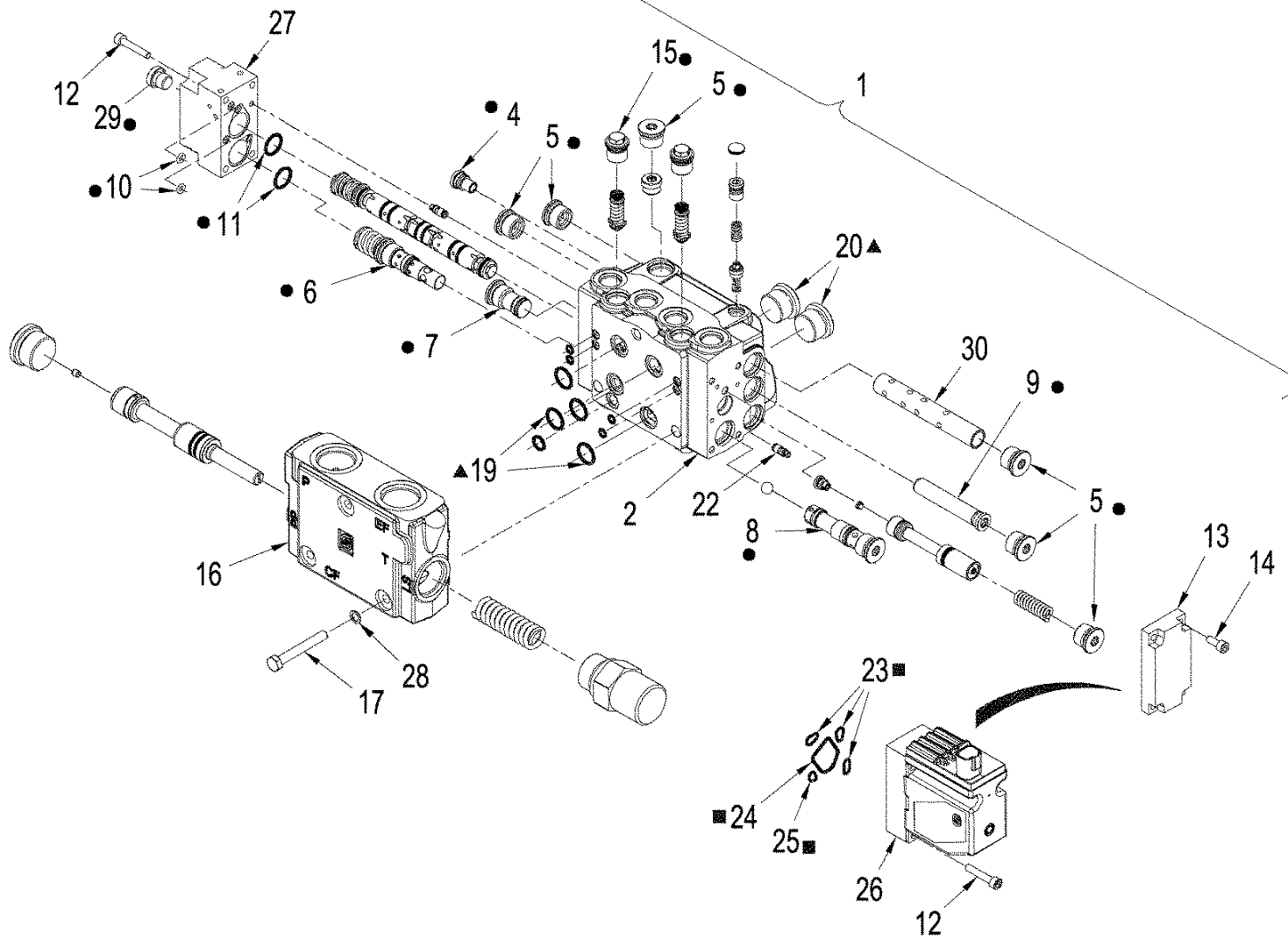


T9040 4WD TRACTOR, ASN (8/07-) - Hydraulic System

08-12 REGULATOR VALVE ASSY

сылка	Номер детали	Кол-во	Описание
	87672094	1	VALVE, Regulator, Inc. 1 - 36
1	NSS	1	NOT SERVICED SEPARATELY, Body
	1542563C1	1	VALVE, CHECK, Logic, Inc. 2 - 6
2	1994580C1	1	PLUG,
3	1543329C1	1	POPPET, VALVE,
4	1994581C1	1	SPRING, Check Valve
5	165212	1	O-RING, -015, 90 Duro, .551" ID x .070" Thk,
6	G108723	1	RING, Retaining
7	221579A1	1	PLUG, Hex Soc, M22 x 1.5, ORB, Inc. 8
8	86639044	1	O-RING, CI 6, 19.3MM ID x 2.2 Thk,
9	87613378	1	SPOOL, Regulator
10	176312A1	1	SPRING, Regulator
11	313941A1	1	PLUG, Adjusting
12	167266	1	O-RING, 12-1, 90 Duro, .924 ID x .116" Thk,
13	86637729	1	NUT, LOCK, Blkhd, 1 1/16"-12,
	344573A1	1	PLUG, Lube Special, Inc. 14 - 15
14	NSS	1	NOT SERVICED SEPARATELY, Plug
15	86639044	1	O-RING, CI 6, 19.3MM ID x 2.2 Thk,
16	330105A1	1	SPRING, Lube Regulator
17	87668085	1	SPOOL, Lube Regulator
18	330104A1	1	PIN, Reducing
19	218-5212	1	PLUG, Hex Soc, 1 1/16"-12 ORB, Inc. 20
20	9617873	1	O-RING, 6-1, 90 Duro, .468" ID x .078" Thk,
21	221578A1	3	PLUG, Hex Soc, M18 x 1.5, ORB, Inc. 22
22	86639043	3	O-RING, 15.3 ID x 2.2
	339487A2	1	CONNECTOR, HYD., Orificed, Inc. 23 - 25
23	NSS	1	NOT SERVICED SEPARATELY, Adapter, 11/16 fc sl x 14 orb
24	86639042	1	O-RING, CI 6, 11.3MM ID x 2.2 Thk,
25	9993141	1	O-RING, -012, 90 Duro, .364" ID x .070" Thk,
26	86579671	1	CONNECTOR, HYD., 11/16"-16 ORFS x M14 x 1.5 ORB, Inc. 27, 28
27	9992298	1	O-RING, -014, 90 Duro, .489" ID x .070" Thk,
28	9993141	1	O-RING, -012, 90 Duro, .364" ID x .070" Thk,
29	238-6118	1	
30	358968A1	1	COUPLING, Diagnostic, Inc. 22
31	238-6112	2	O-RING, -112, 90 Duro, .487" ID x .103" Thk,
	87330331	1	SOLENOID, Lube Shut-Off, Inc. 32 - 39
32	298614A1	1	SOLENOID,
33	NSS	1	NOT SERVICED SEPARATELY, Nut
34	NSS	1	NOT SERVICED SEPARATELY, Valve, Cartridge, 2 gpm
35	167266	1	O-RING, 12-1, 90 Duro, .924 ID x .116" Thk,
36	NSS	1	NOT SERVICED SEPARATELY, Filter, Screen
37	87330336	1	SOLENOID, Solenoid Holder
38	G35540	1	RING, Backup
39	9991976	1	O-RING, -018, 90 Duro, .739" ID x .070" Thk,

08-13 PRIORITY / STEERING CONTROL VALVE ASSEMBLY

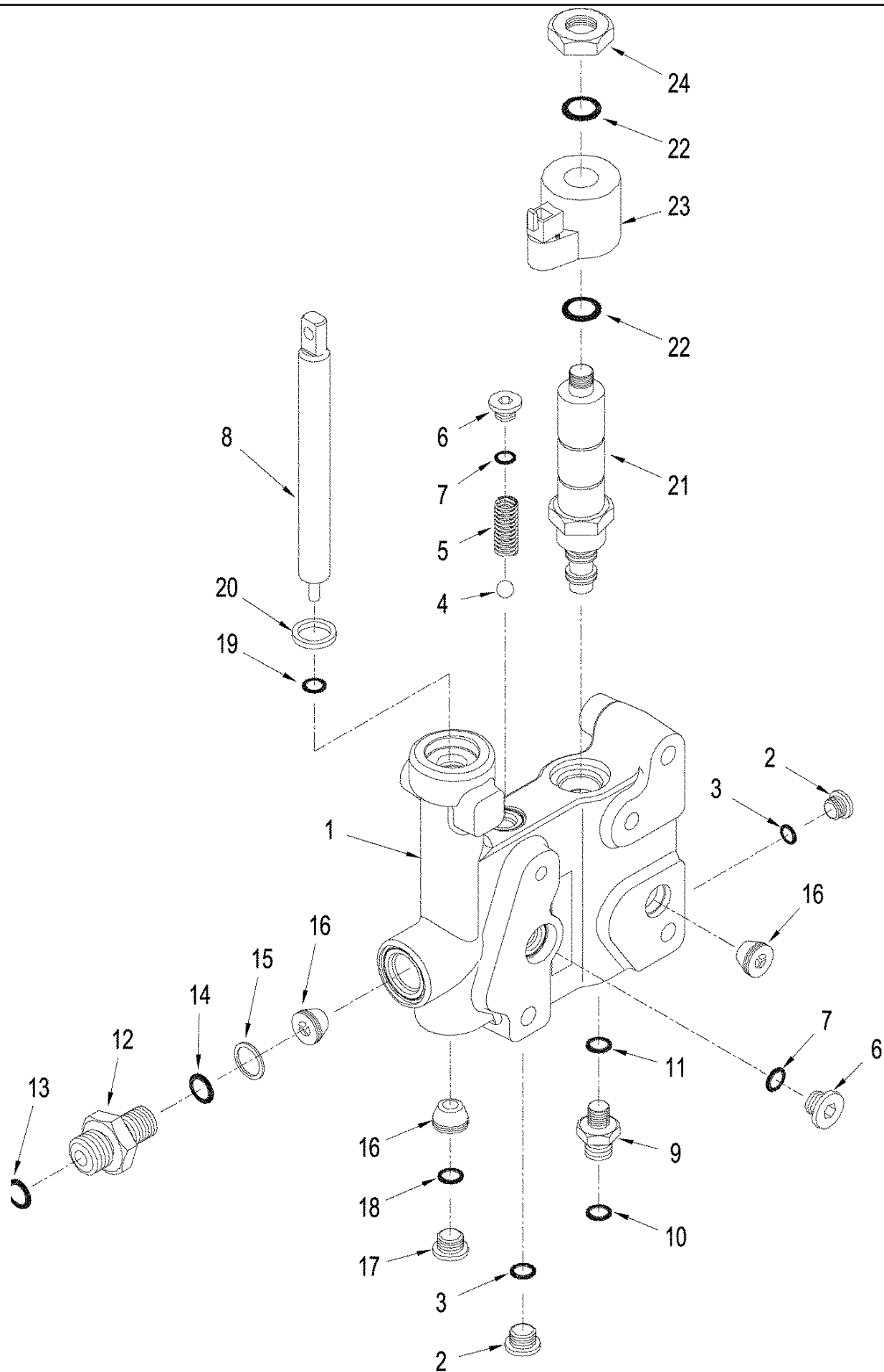


- = 3
- ▲ = 18
- = 21

08-13 PRIORITY / STEERING CONTROL VALVE ASSEMBLY

сылка	Номер детали	Кол-во	Описание
1	87585897	1	VALVE, HYDRAULIC, Priority / EHPS, Inc. 2 - 20
1	87585898	1	VALVE, HYDRAULIC, Priority / EHPS, 2 - 26, Used with INTELLIGUIDE Applications.
2	NSS	1	NOT SERVICED SEPARATELY, Housing, Steering Valve
3	87397327	1	KIT, SEALS, EHPS
4	NSS	1	NOT SERVICED SEPARATELY, Plug, w/ O-Ring
5	NSS	6	NOT SERVICED SEPARATELY, Plug, w/ O-Ring
6	NSS	1	NOT SERVICED SEPARATELY, Bushing, w/ O-Ring
7	NSS	1	NOT SERVICED SEPARATELY, Plug, w/ O-Ring
8	NSS	1	NOT SERVICED SEPARATELY, Plug, w/ O-Ring
9	NSS	1	NOT SERVICED SEPARATELY, Plug, w/ O-Ring
10	NSS	5	NOT SERVICED SEPARATELY, O-Ring
11	NSS	4	NOT SERVICED SEPARATELY, O-Ring
12	NSS	AR	NOT SERVICED SEPARATELY, Screw
13	NSS	1	NOT SERVICED SEPARATELY, Cover
14	NSS	4	NOT SERVICED SEPARATELY, Screw
15	NSS	2	NOT SERVICED SEPARATELY, Plug, w/ O-Ring
16	NSS	1	NOT SERVICED SEPARATELY, Housing, Priority Valve
17	NSS	3	NOT SERVICED SEPARATELY, Bolt
18	87397328	1	KIT, SEALS, OLS Priority Valve
19	NSS	2	NOT SERVICED SEPARATELY, O-Ring
20	NSS	2	NOT SERVICED SEPARATELY, Plug, w/ O-Ring
21	87397329	1	KIT, SEALS, PVE, Used with INTELLIGUIDE Applications.
22	87540544	2	VALVE, Valve, Shuttle, Used with INTELLIGUIDE Applications.
23	NSS	3	NOT SERVICED SEPARATELY, O-Ring, Used with INTELLIGUIDE Applications.
24	NSS	1	NOT SERVICED SEPARATELY, O-Ring, Used with INTELLIGUIDE Applications.
25	NSS	1	NOT SERVICED SEPARATELY, O-Ring, Used with INTELLIGUIDE Applications.
26	NSS	1	NOT SERVICED SEPARATELY, Solenoid, PVEH, Used with INTELLIGUIDE Applications.
27	NSS	1	NOT SERVICED SEPARATELY, Cover
28	NSS	3	NOT SERVICED SEPARATELY, Washer
29	NSS	1	NOT SERVICED SEPARATELY, Plug, w/ O-Ring
30	87637887	1	KIT, Steering Spool

08-14 TOW BLOCK VALVE ASSY

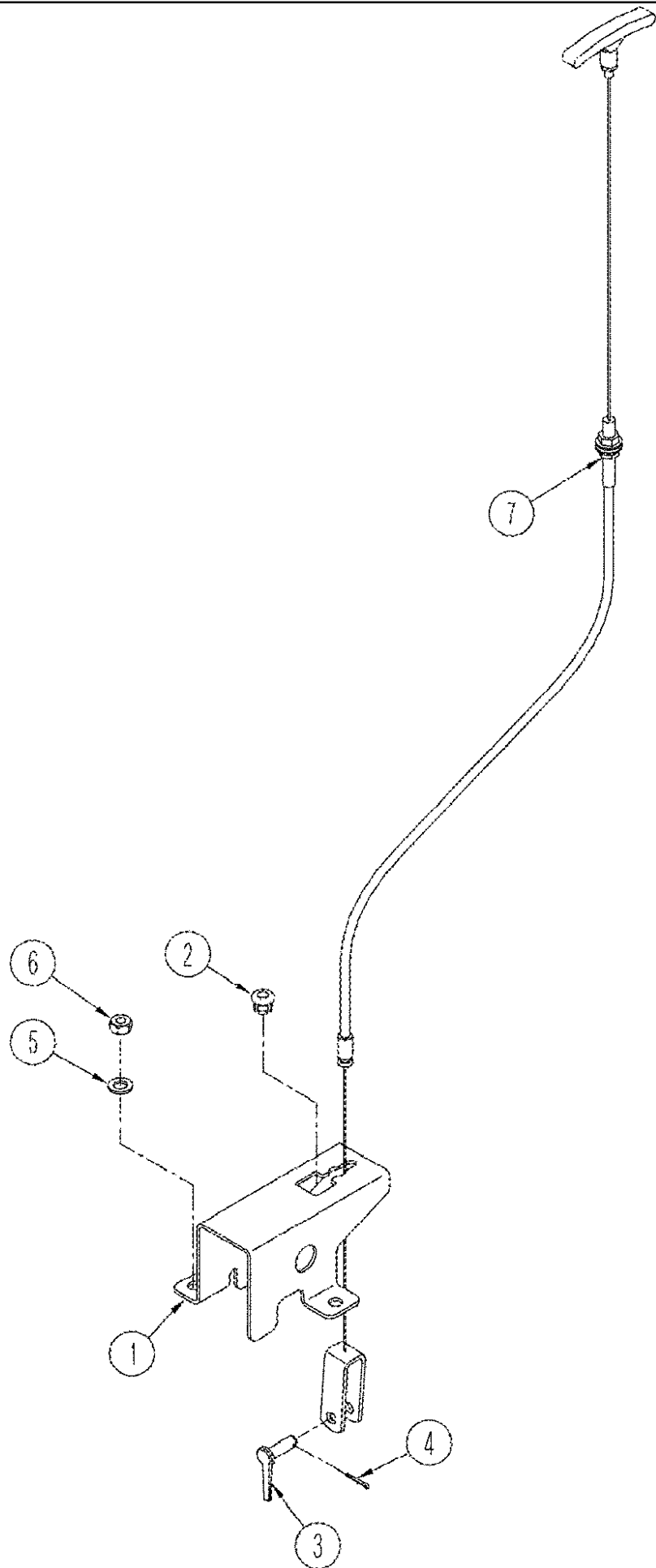


T9040 4WD TRACTOR, ASN (8/07-) - Hydraulic System

08-14 TOW BLOCK VALVE ASSY

сылка	Номер детали	Кол-во	Описание
	87679712	1	VALVE, Control, Tow Block, Inc. 1 - 24
1	NSS	1	NOT SERVICED SEPARATELY, Body
2	86598044	2	PLUG, Hex Soc, M14 x 1.5, ORB, Inc. 3
3	86639042	3	O-RING, CI 6, 11.3MM ID x 2.2 Thk,
4	86637959	1	BALL, 6mm Dia, 6 mm
5	352025A1	1	SPRING, Brake
6	86598043	2	PLUG, Hex Soc, M12 x 1.5, ORB, Inc. 7
7	86642448	2	O-RING, CI 6, 9.3MM ID x 2.2 Thk,
8	326300A1	1	SPOOL, Manual Pump
9	282839A1	1	PLUG, Inc. 10, 11
10	9993141	1	O-RING, -012, 90 Duro, .364" ID x .070" Thk,
11	86639043	1	O-RING, 15.3 ID x 2.2
12	86579678	1	CONNECTOR, HYD., 13/16"-16 ORFS x M22 x 1.5 ORB, Inc. 13, 14
13	9992298	1	O-RING, -014, 90 Duro, .489" ID x .070" Thk,
14	86639044	1	O-RING, CI 6, 19.3MM ID x 2.2 Thk,
15	86637953	1	WASHER, 11/32" x 11/16" x 0.89", HDN,
16	1994615C2	3	VALVE, CHECK,
17	86598047	1	PLUG, Hex Soc, M22 x 1.5, ORB, Inc. 18
18	86639044	1	O-RING, CI 6, 19.3MM ID x 2.2 Thk,
19	86637741	1	O-RING, -208, 70 Duro, .609" ID x .139" Thk,
20	A63399	1	SEAL, Oil Sensing
	87675608	1	SOLENOID, Check, Inc. 21 - 24
21	NSS	1	NOT SERVICED SEPARATELY, Solenoid
22	86637770	2	O-RING, -115, CI 7, .674" ID x .103" Thk,
23	NSS	1	NOT SERVICED SEPARATELY, Coil
24	252462A2	1	NUT,

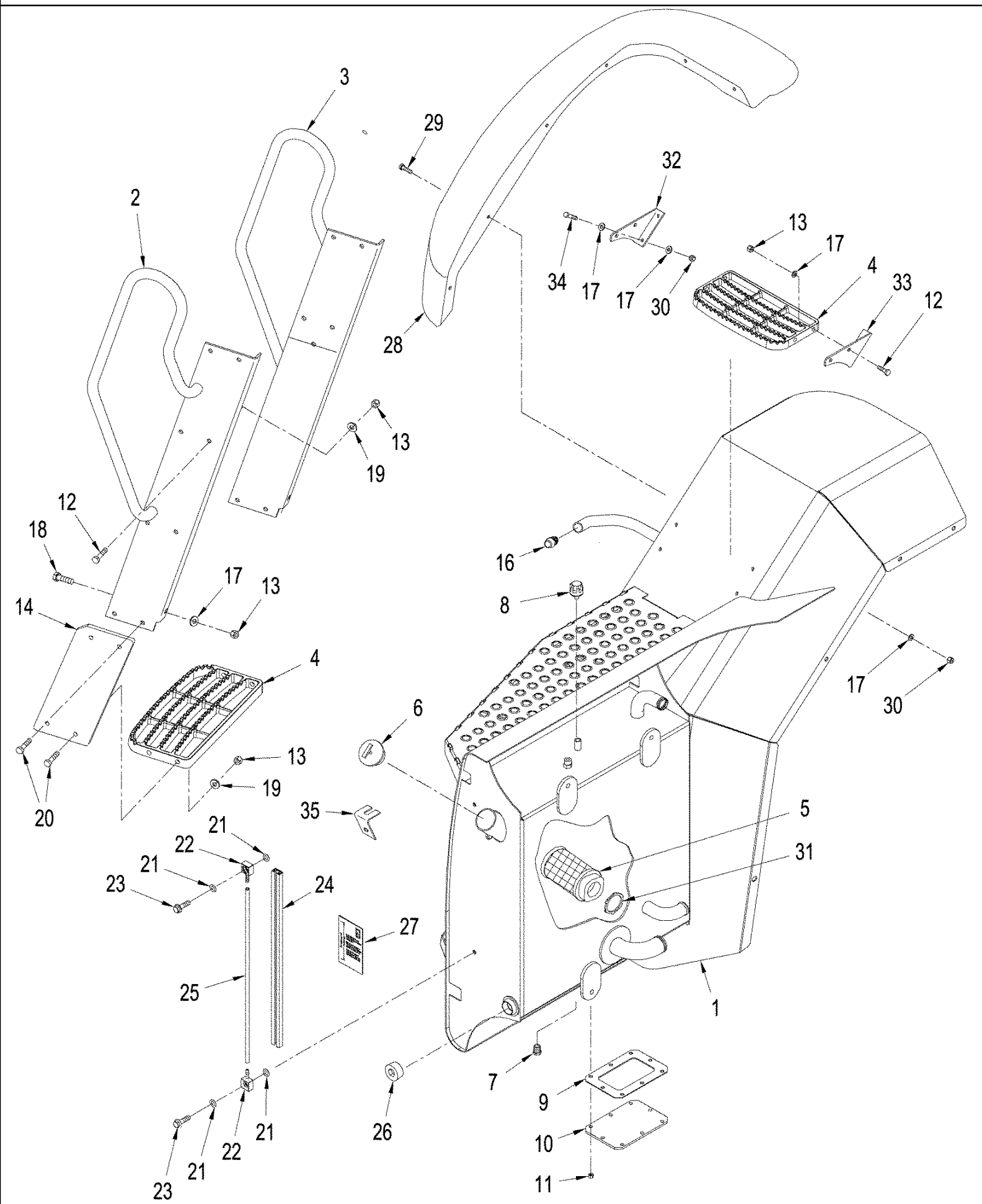
08-15 CABLE - TOW VALVE



08-15 CABLE - TOW VALVE

сылка	Номер детали	Кол-во	Описание
1	344904A2	1	SUPPORT ASSY., Tow Valve Cable
2	A67295	1	PLUG,
3	86639013	1	PIN, CLEVIS, M8 x 25,
4	86637652	1	PIN, SPLIT (COTTER), Int, 9/64" x .054",
5	86624184	2	WASHER, M8 x 16 x 1.6,
6	43362	2	NUT, M8, CI 10,
7	349863A2	1	CABLE, Tow Valve

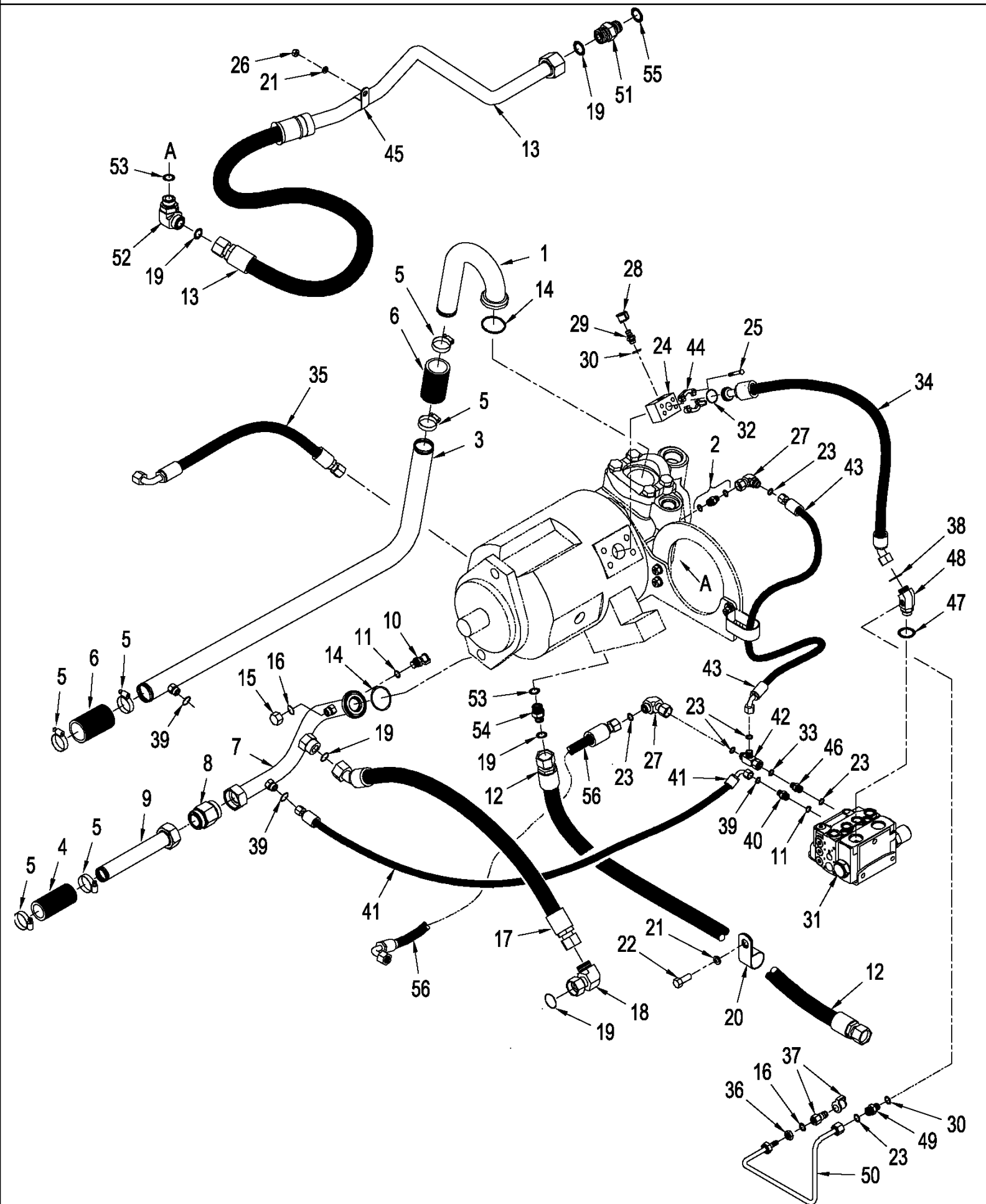
08-16 HYDRAULIC TANK



T9040 4WD TRACTOR, ASN (8/07-) - Hydraulic System

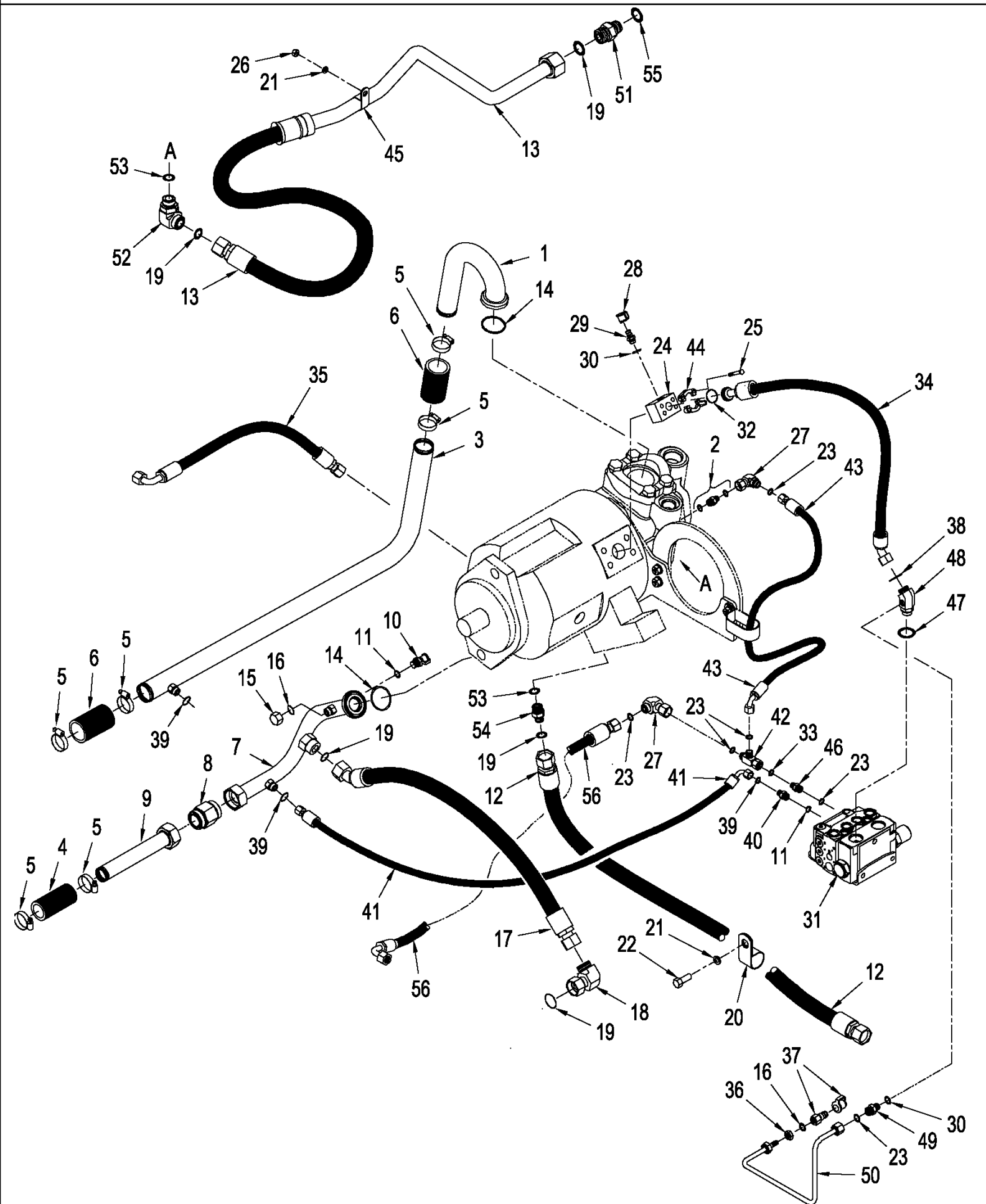
08-16 HYDRAULIC TANK

сылка	Номер детали	Кол-во	Описание
1	87647710	1	TANK, Hydrualic, w/ LH Front Fender
2	401394A1	1	LADDER, Rear, LH
3	401395A1	1	LADDER, Front, LH
4	87301185	5	STEP,
5	87408715	1	FILTER, STRAINER, Oil
6	325737A1	1	CAP, Oil Filler
7	86637723	1	PLUG, Hex Hd, 1/2"-14 NPTF,
8	1971726C1	1	BREATHER,
9	435031A1	1	GASKET, Hydraulic Access Cover
10	435030A1	1	COVER, Access
11	86528579	8	NUT, LOCK, M8 x 1.25, CI 10,
12	86624978	16	BOLT, Hex, M10 x 35, 10.9, Full Thd,
13	86514720	26	NUT, LOCK, M10 x 1.5
14	376530A1	2	SUPPORT, Step
15	V43471	2	BOLT,
16	363226A1	1	BUMPER,
17	86624176	10	WASHER, M10 x 20 x 2,
18	86636816	2	BOLT, CARRIAGE, M10 x 25; 8.8
19	86639325	8	WASHER, M10 x 24.5 x 3, HT,
20	86508618	8	BOLT, Hex, M10 x 45, 10.9,
21	337248A1	4	O-RING,
22	352767A1	2	CONNECTOR, HYD., Sight Gauge
23	86511845	2	BOLT, Hex Flg, M10 x 35, 8.8,
24	349869A1	1	CHANNEL, Sight Gauge
25	355179A1	1	HOSE, Sight Gauge
26	86637725	1	PLUG, Hex Soc, 1 1/4"-11 1/2 NPTF,
27	434856A1	1	DECAL, Hydraulic Oil Level, See Figure: 09-55
28	397307A3	1	FENDER, FRONT, Flare, LH
29	86624978	6	BOLT, Hex, M10 x 35, 10.9, Full Thd,
30	86500689	10	NUT, M10, CI 10,
31	435032A1	1	NUT, LOCK,
32	87442437	1	BRACKET, Step Support, Outboard
33	87442438	1	BRACKET, Step Support, In-board
34	627-10025	4	BOLT, Hex, M10 x 25, 10.9, Full Thd,
35	87646822	1	BRACKET, Retainer, Fill Cap Lock



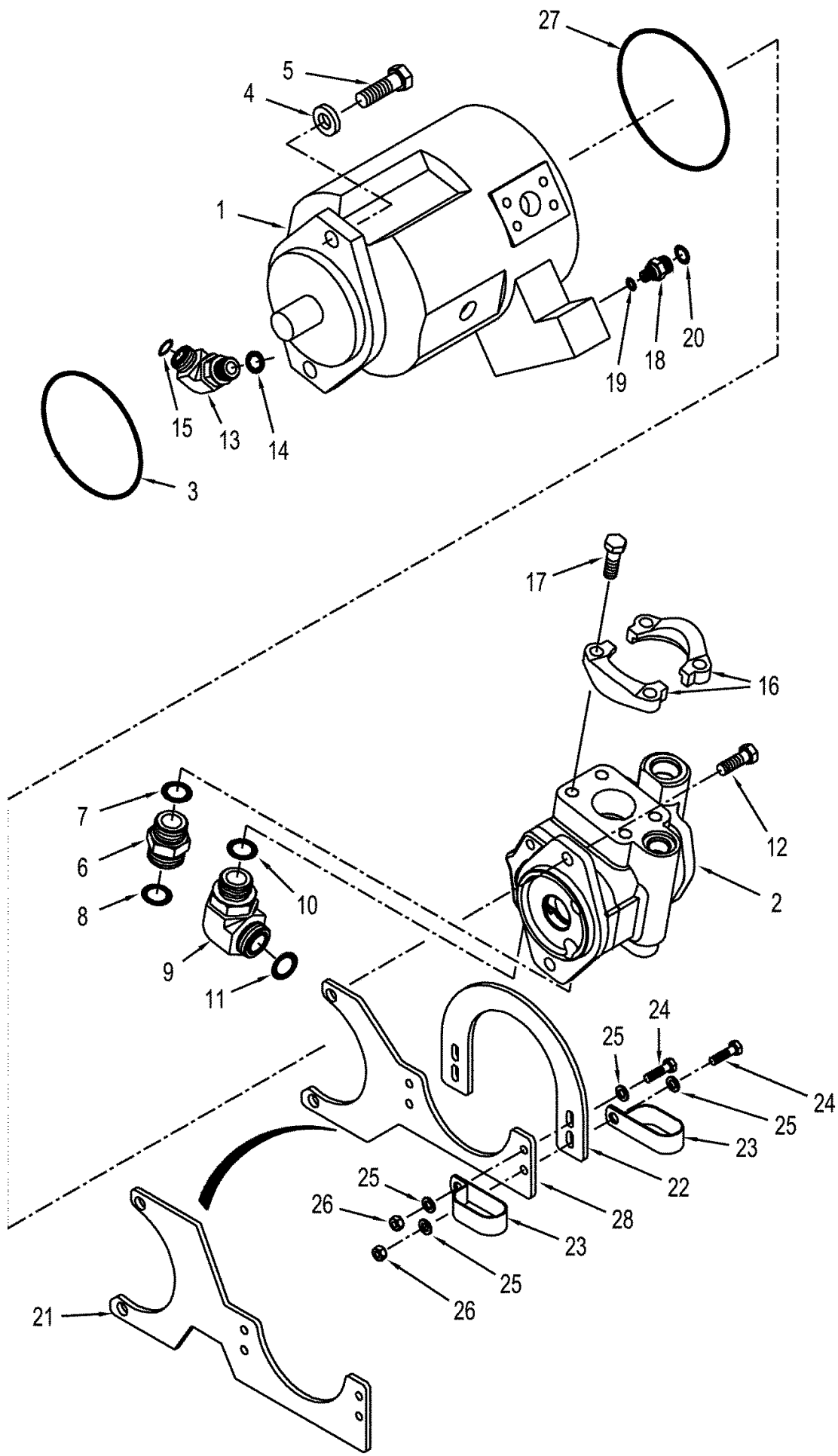
сылка	Номер детали	Кол-во	Описание
1	402484A2	1	TUBE ASSY.,
2	87400492	1	SCREEN, FILTER, with O-Rings
3	401617A3	1	TUBE ASSY.,
4	435413A1	1	HOSE, 114 mm (4-1/2 in)
5	86624194	6	CLAMP, HOSE, #36, 1.81/2.75 Type F Worm, 1-13/16 - 2-3/4
6	435454A1	2	HOSE, 102 mm (4 in), Cut From : 443069A1
7	87441239	1	TUBE ASSY., Inc. 15 & 16
8	87545498	1	VALVE, CHECK,
9	87307320	1	TUBE ASSY.,
10	358968A1	1	COUPLING, M18 orb x 1,5, Diagnostic, Inc. 11
11	86639043	1	O-RING, 15.3 ID x 2.2
12	349499A1	1	HOSE ASSY., 1420 mm (56 in)
13	87357616	1	HOSE, 1816 mm (71"), Gear Pump to RH Filter
14	86637769	2	O-RING, -228, 90 Duro, 2.234" ID x .139" Thk,
15	701-900	1	CAP, 11/16"-16 ORFS, Inc. 16
16	238-6012	1	O-RING, -012, 90 Duro, .364" ID x .070" Thk,
17	335104A2	1	HOSE ASSY., 925 mm (36 in), Regulator Valve to Piston Pump
18	84989413	1	ELBOW, 90e, 1 7/16"-12 ORFS x 1 7/16"-12 Fem Sw, Inc. 19
19	9824050	3	O-RING, -021, 90 Duro, .926" ID x .070" Thk,
20	86639002	1	CLAMP, 1 3/8", Insul, 7/16" Bolt,
21	86624184	12	WASHER, M8 x 16 x 1.6,
22	43235	1	BOLT, Hex, M8 x 30, 10.9,
23	238-6012	5	O-RING, -012, 90 Duro, .364" ID x .070" Thk,
24	87309732	1	BLOCK,
25	426-620	4	BOLT,
26	829-1408	1	NUT, M8, CI 10,
27	701-319	2	ELBOW, 90e, 11/16"-16 ORFS x 11/16"-16 Fem Sw, Inc. 23
	178889A1	1	FITTING, Diagnostic, Inc. 28, 29
28	86502604	1	DUST CAP,
29	NSS	1	NOT SERVICED SEPARATELY, Fitting, Diagnostic, Inc. 30
30	86639042	1	O-RING, CI 6, 11.3MM ID x 2.2 Thk,
31	87585898	1	VALVE, HYDRAULIC, Priority / EHPS, See Figure: 08-12
32	238-6219	1	O-RING, -219, 90 Duro, 1.296" ID x .139" Thk,
33	238-6011	1	O-RING, -011, 90 Duro, .301" ID x .070" Thk,
34	87565932	1	HOSE ASSY., 869 mm (34-1/2")
35	327499A1	1	HOSE ASSY., 665 mm (26-1/2")
36	701-909	1	NUT, LOCK, 11/16"-16, Blkhd,
37	190119A1	1	COUPLING, Diagnostic
38	9824050	1	O-RING, -021, 90 Duro, .926" ID x .070" Thk,
39	9992298	2	O-RING, -014, 90 Duro, .489" ID x .070" Thk,
40	700-102	1	CONNECTOR, HYD., 13/16"-16 ORFS x M18 x 1.5 ORB, Inc. 11 & 39
41	87438228	1	HOSE ASSY., 1211 mm (47-1/2")
42	300209A1	1	VALVE, Shuttle, Inc. 23
43	87389531	1	HOSE, 1820 mm (71-5/8")
44	A12306	2	FLANGE, Split Clamp

сылка	Номер детали	Кол-во	Описание
45	515-23254	1	CLAMP, 1", Insul, 3/8" Bolt,
46	700-165	1	CONNECTOR, HYD., 11/16"-16 ORFS x M12 x 1.5 ORB, Inc. 23 & 33
47	86639046	1	O-RING, CI 6, 29.6MM ID x 2.9 Thk,
48	87550213	1	FITTING, 45, Special
49	700-101	1	CONNECTOR, HYD., 11/16"-16 ORFS x M14 x 1.5 ORB,
50	87565927	1	TUBE, Diagnostic Priority
51	700-105	1	CONNECTOR, HYD., 1 7/16"-12 ORFS x M22 x 2 ORB, Inc. 19 & 55
52	201-308	1	ELBOW, 90є, 1 7/16"-12 x 1 5/8"-12, Adj, ORFS, Inc. 19 & 53
53	237-6016	2	O-RING, 16-1, 90 Duro, 1.171" ID x .118" Thk,
54	9824055	1	CONNECTOR, HYD., 1-7/16" fcsI x 1-5/16" or, Inc. 19 & 53
55	637-64296	1	O-RING, CI 6, 29.6MM ID x 2.9 Thk,
56	87394490	1	HOSE, 4384 mm (172-1/2"), from Priority Valve to Manifold Valve Auxiliary Load Sense Port



сылка	Номер детали	Кол-во	Описание
1	402484A2	1	TUBE ASSY.,
2	87400492	1	SCREEN, FILTER, with O-Rings
3	419665A2	1	TUBE ASSY.,
4	435413A1	1	HOSE, 114 mm (4-1/2 in)
5	86624194	6	CLAMP, HOSE, #36, 1.81/2.75 Type F Worm,
6	435454A1	2	HOSE, 102 mm (4 in), Cut From : 443069A1
7	87438195	1	TUBE ASSY., Inc. 15 & 16
8	87545498	1	VALVE, CHECK,
9	87307318	1	TUBE ASSY.,
10	358968A1	1	COUPLING, M18 orb x 1,5, Diagnostic, Inc. 11
11	86639043	1	O-RING, 15.3 ID x 2.2
12	327466A1	1	HOSE, 1486 mm (58")
13	87357616	1	HOSE,
14	86637769	2	O-RING, -228, 90 Duro, 2.234" ID x .139" Thk,
15	701-900	1	CAP, 11/16"-16 ORFS, Inc. 16
16	238-6012	2	O-RING, -012, 90 Duro, .364" ID x .070" Thk,
17	335104A2	1	HOSE ASSY., 925 mm (36 in), Regulator Valve to Piston Pump
18	84989413	1	ELBOW, 90e, 1 7/16"-12 ORFS x 1 7/16"-12 Fem Sw, Inc. 19
19	9824050	3	O-RING, -021, 90 Duro, .926" ID x .070" Thk,
20	86639002	1	CLAMP, 1 3/8", Insul, 7/16" Bolt,
21	86624184	12	WASHER, M8 x 16 x 1.6,
22	43235	1	BOLT, Hex, M8 x 30, 10.9,
23	238-6012	5	O-RING, -012, 90 Duro, .364" ID x .070" Thk,
24	87309732	1	BLOCK, Hydraulic Pump
25	86637941	4	SCREW, Hex Soc Hd, 3/8"-16 x 2 3/4",
26	9515003	2	BOLT, Hex, M10 x 30, 10.9, Full Thd,
27	701-319	1	ELBOW, 90e, 11/16"-16 ORFS x 11/16"-16 Fem Sw, Inc. 23
	178889A1	1	FITTING, Diagnostic, Inc. 28, 29
28	86502604	1	DUST CAP,
29	NSS	1	NOT SERVICED SEPARATELY, Fitting, Diagnostic, Inc. 30
30	86639042	1	O-RING, CI 6, 11.3MM ID x 2.2 Thk,
31	87585898	1	VALVE, HYDRAULIC, Priority / EHPS, See Figure: 08-15
32	238-6219	2	O-RING, -219, 90 Duro, 1.296" ID x .139" Thk,
33	238-6011	1	O-RING, -011, 90 Duro, .301" ID x .070" Thk,
34	87565932	1	HOSE ASSY., 869 mm (34-1/2")
35	395875A1	1	HOSE ASSY., 775 mm (30-1/2")
36	701-909	1	NUT, LOCK, 11/16"-16, Blkhd,
37	190119A1	1	COUPLING, Diagnostic
38	9824050	1	O-RING, -021, 90 Duro, .926" ID x .070" Thk,
39	9992298	2	O-RING, -014, 90 Duro, .489" ID x .070" Thk,
40	700-102	1	CONNECTOR, HYD., 13/16"-16 ORFS x M18 x 1.5 ORB, Inc. 11 & 39
41	87438228	1	HOSE ASSY., 1211 mm (47-1/2")
42	300209A1	1	VALVE, Shuttle
43	87389531	1	HOSE, 1820 mm (71-5/8")
44	A12306	2	FLANGE, Split Clamp

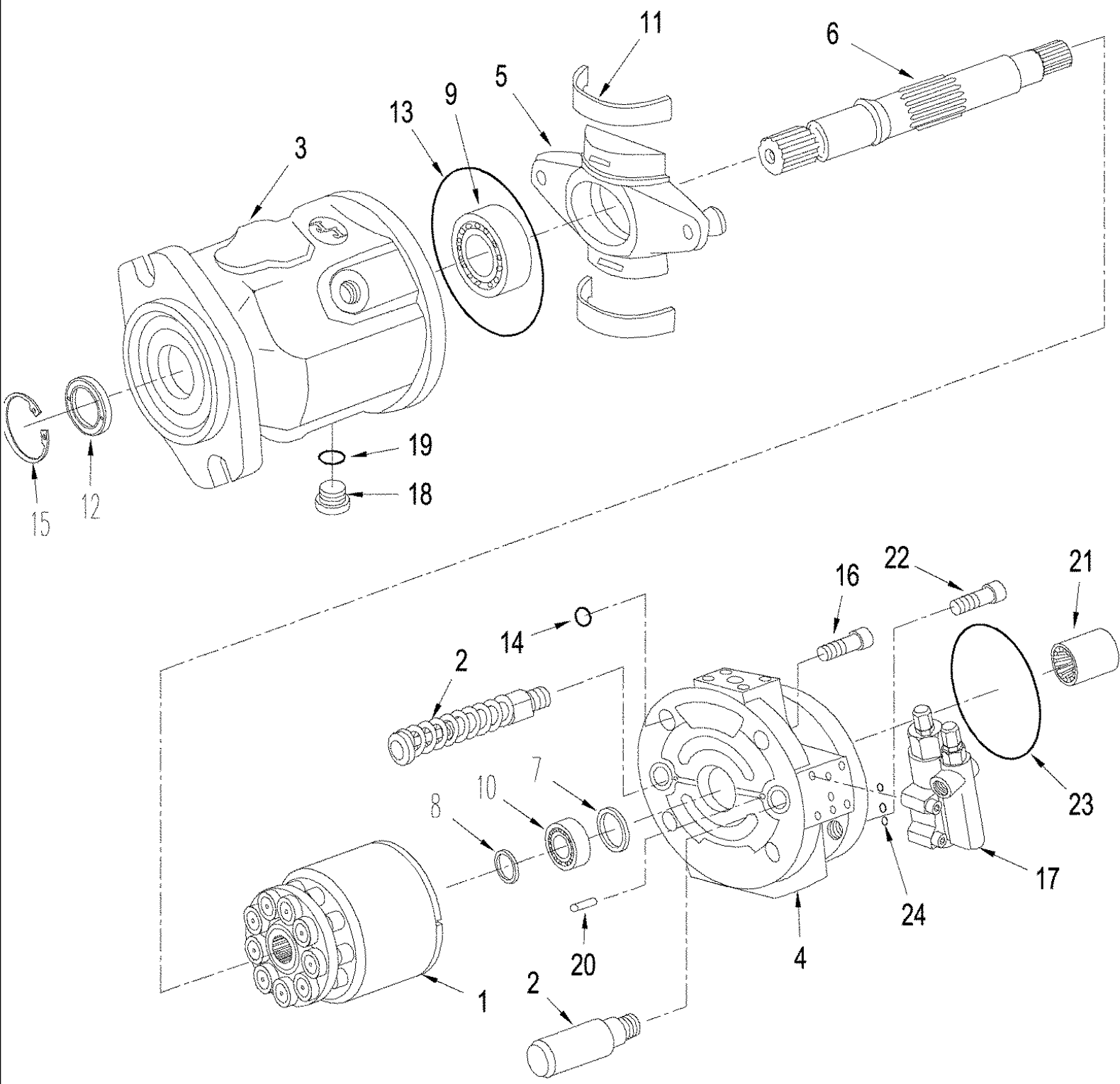
сылка	Номер детали	Кол-во	Описание
45	515-23254	1	CLAMP, 1", Insul, 3/8" Bolt,
46	700-165	1	CONNECTOR, HYD., 11/16"-16 ORFS x M12 x 1.5 ORB, Inc. 23 & 33
47	86639046	1	O-RING, CI 6, 29.6MM ID x 2.9 Thk,
48	87550213	1	FITTING, 45, Special, Inc. 38 & 47
49	86579671	1	CONNECTOR, HYD., 11/16"-16 ORFS x M14 x 1.5 ORB, Inc. 23 & 30
50	87565927	1	TUBE, Diagnostic Priority
51	700-105	1	CONNECTOR, HYD., 1 7/16"-12 ORFS x M22 x 2 ORB, Inc. 19 & 55
52	201-308	1	ELBOW, 90є, 1 7/16"-12 x 1 5/8"-12, Adj, ORFS, Inc. 19 & 53
53	237-6016	2	O-RING, 16-1, 90 Duro, 1.171" ID x .118" Thk,
54	9824055	1	CONNECTOR, HYD., 1-7/16" fcsI x 1-5/16" or, Inc. 19 & 53
55	637-64296	1	O-RING, CI 6, 29.6MM ID x 2.9 Thk,
56	87394490	1	HOSE, 4384 mm (172-1/2"), from Priority Valve to the Manifold Valve Auxiliary Load Sense Port



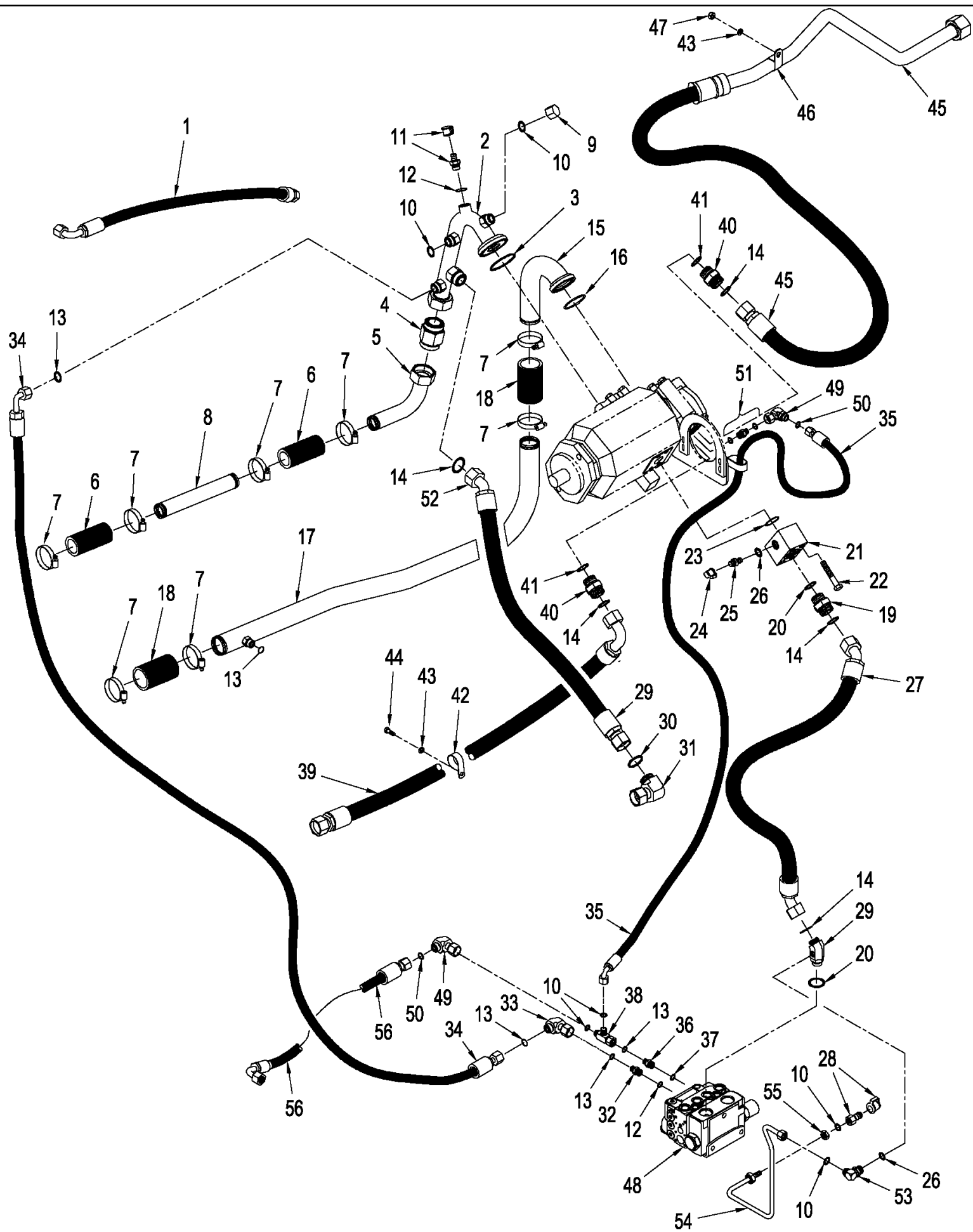
T9040 4WD TRACTOR, ASN (8/07-) - Hydraulic System

08-19 STANDARD HYDRAULICS - PUMP MOUNTING

сылка	Номер детали	Кол-во	Описание
1	87308197	1	PUMP, 71 cc, Piston, See Figure: 08-20
2	87427941	1	PUMP, HYDRAULIC, 100 cc, Gear, See Figure: 08-25
3	238-5250	1	O-RING, -250, 70 Duro, 4.984" ID x .139" Thk,
4	86637949	2	WASHER, 17/32" x 1 1/8" x .060",
5	412398	2	BOLT, Hex, M16 x 50, 10.9,
6	9824055	1	CONNECTOR, HYD., 1-7/16 fc x 1-5/16 Or, Inc. 7, 8
7	167268	1	O-RING, 16-1, 90 Duro, 1.171" ID x .116" Thk,
8	9824050	1	O-RING, -021, 90 Duro, .926" ID x .070" Thk,
9	201-308	1	ELBOW, 90e, 1 7/16"-12 x 1 5/8"-12, Adj, ORFS, Inc. 10, 11
10	167268	1	O-RING, 16-1, 90 Duro, 1.171" ID x .116" Thk,
11	9824050	1	O-RING, -021, 90 Duro, .926" ID x .070" Thk,
12	9824642	2	BOLT, Hex, M12 x 35, 10.9,
13	86505941	1	ELBOW, Inc. 14, 15
14	167269	1	O-RING, 10-1, 90 Duro, .755" ID x .097" Thk,
15	9992069	1	O-RING, -016, 90 Duro, .614" ID x .070" Thk,
16	A14141	4	FLANGE,
17	88904	8	BOLT, Hex, 1/2"-13 x 1 1/2", G8, Full Thd,
18	201-125	1	CONNECTOR, HYD., 11/16"-16 ORFS x 7/16"-20 ORB, Inc. 19 & 20
19	165202	1	O-RING, 4-1, 90 Duro, .351" ID x .072" Thk,
20	9993141	1	O-RING, -012, 90 Duro, .364" ID x .070" Thk,
21	87419158	1	BRACKET, Mounting, Tandem Pump, Manual Shift Transmission
22	87419159	1	PLATE,
23	L111928	2	CLAMP,
24	43235	4	BOLT, Hex, M8 x 30, 10.9,
25	86624184	8	WASHER, M8 x 16 x 1.6,
26	86528579	4	NUT, LOCK, M8 x 1.25, Cl 10,
27	436514A1	1	O-RING,
28	87419160	1	BRACKET, Mounting, Tandem Pump, Power Shift Transmission



сылка	Номер детали	Кол-во	Описание
	87308197	1	PUMP, 71 cc, Inc. 1 - 23
1	NSS	1	NOT SERVICED SEPARATELY, Cylinder Assy
2	NSS	1	NOT SERVICED SEPARATELY, Piston Assy, Control
3	NSS	1	NOT SERVICED SEPARATELY, Housing
4	NSS	1	NOT SERVICED SEPARATELY, Block
5	NSS	1	NOT SERVICED SEPARATELY, Plate, Swash
6	NSS	1	NOT SERVICED SEPARATELY, Shaft
7	NSS	1	NOT SERVICED SEPARATELY, Washer
8	NSS	1	NOT SERVICED SEPARATELY, Spacer
9	NSS	1	NOT SERVICED SEPARATELY, Bearing, Roller
10	NSS	1	NOT SERVICED SEPARATELY, Bearing, Roller
11	NSS	2	NOT SERVICED SEPARATELY, Support
12	NSS	1	NOT SERVICED SEPARATELY, Seal
13	NSS	1	NOT SERVICED SEPARATELY, O-Ring
14	NSS	4	NOT SERVICED SEPARATELY, O-Ring
15	NSS	1	NOT SERVICED SEPARATELY, Ring, Snap
16	NSS	4	NOT SERVICED SEPARATELY, Screw
17	87308198	1	COMPENSATOR, Compensator
18	NSS	1	NOT SERVICED SEPARATELY, Plug
19	NSS	1	NOT SERVICED SEPARATELY, O-Ring
20	NSS	1	NOT SERVICED SEPARATELY, Pin
21	NSS	1	NOT SERVICED SEPARATELY, Coupling
22	NSS	2	NOT SERVICED SEPARATELY, Screw
23	436514A1	1	O-RING,
24	8604965	3	O-RING,
	388293A1	1	KIT, SEALS, Seals, Inc. 12 - 14, 19, 23

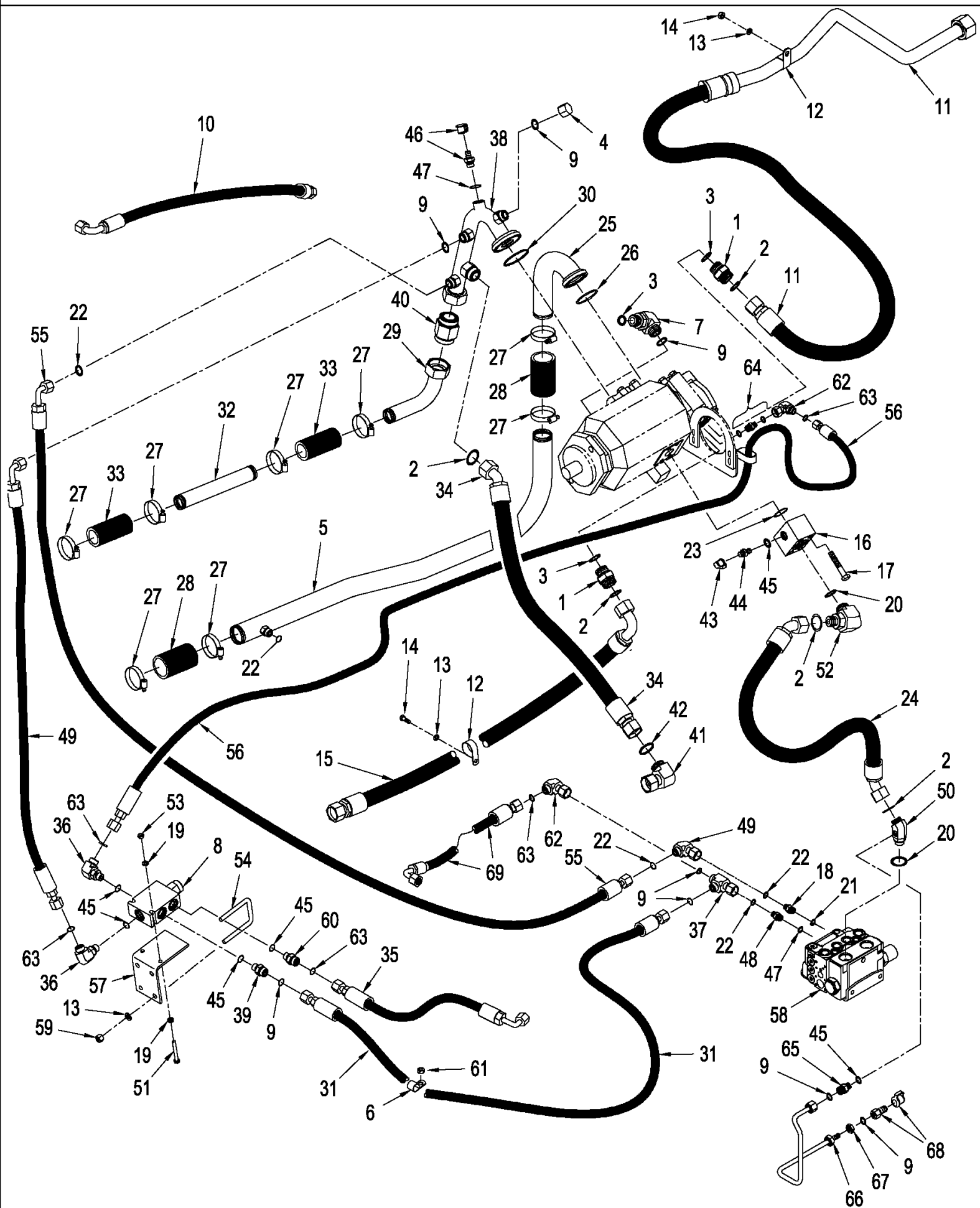


T9040 4WD TRACTOR, ASN (8/07-) - Hydraulic System

08-21 HIGH OUTPUT HYDRAULICS, PUMP LUBRICATION, MANUAL SHIFT TRANSMISSION

сылка	Номер детали	Кол-во	Описание
1	327499A1	1	HOSE ASSY., 665 mm (26-1/2")
2	87306902	1	TUBE ASSY., Inc. 9 & 10
3	238-5232	1	O-RING, -232, 70 Duro, 2.734" ID x .139" Thk,
4	87545498	1	VALVE, CHECK,
5	87307260	1	TUBE ASSY.,
6	435413A1	2	HOSE, 114 mm (4-1/2")
7	214-1436	8	CLAMP, HOSE, #36, 1.81/2.75 Type F Worm,
8	87307313	1	TUBE ASSY.,
9	701-900	1	CAP, 11/16"-16 ORFS,
10	238-6012	11	O-RING, -012, 90 Duro, .364" ID x .070" Thk,
11	358968A1	1	COUPLING, Diagnostic, Inc. 12
12	637-63153	2	O-RING, CI 6, 15.3MM ID x 2.2 Thk,
13	238-6014	5	O-RING, -014, 90 Duro, .489" ID x .070" Thk,
14	238-6021	4	O-RING, -021, 90 Duro, .926" ID x .070" Thk,
15	405572A1	1	TUBE ASSY.,
16	238-6228	2	O-RING, -228, 90 Duro, 2.234" ID x .139" Thk,
17	405574A1	1	TUBE ASSY.,
18	435454A1	2	HOSE, 102 mm (4"), Cut From: 443069A1
19	700-105	1	CONNECTOR, HYD., 1 7/16"-12 ORFS x M22 x 2 ORB, Inc. 14 & 20
20	637-64296	2	O-RING, CI 6, 29.6MM ID x 2.9 Thk,
21	87565931	1	BLOCK, Hydraulic Pump
22	86637942	4	SCREW, Hex Soc Hd, 1/2"-13 x 2 1/2",
23	238-6222	1	O-RING, -222, 90 Duro, 1.484" ID x .139" Thk,
	178889A1	1	FITTING, Diagnostic, Inc. 24 - 26
24	86502604	1	DUST CAP,
25	NSS	1	NOT SERVICED SEPARATELY, Fitting, Inc. 26
26	637-63113	1	O-RING, CI 6, 11.3MM ID x 2.2 Thk,
27	87307101	1	HOSE,
29	87550213	1	FITTING, 45, Special, Inc. 14 & 20
28	190119A1	1	COUPLING, Diagnostic
30	701-339	1	ELBOW, 90e, 1 7/16"-12 ORFS x 1 7/16"-12 Fem Sw, Inc. 31
31	238-6025	1	O-RING, -025, 90 Duro, 1.176" ID x .070" Thk,
32	700-102	1	CONNECTOR, HYD., 13/16"-16 ORFS x M18 x 1.5 ORB, Inc. 12 & 13
33	701-320	1	ELBOW, 90e, 13/16"-16 ORFS x 13/16"-16 Fem Sw, Inc. 13
34	87441813	1	HOSE ASSY., 1403 mm (55-1/4")
35	87388639	1	HOSE, 1909 mm (75")
36	700-165	1	CONNECTOR, HYD., 11/16"-16 ORFS x M12 x 1.5 ORB, Inc. 13 & 37
37	637-63093	1	O-RING, CI 6, 9.3MM ID x 2.2 Thk,
38	300209A1	1	VALVE, Shuttle, Inc. 40
39	412086A1	1	HOSE ASSY., Charge Pump to Charge Return Tube
40	201-105	1	CONNECTOR, HYD., 1 7/16"-12 ORFS x 1 5/16"-12 ORB, Inc. 14 & 41
41	237-6016	1	O-RING, 16-1, 90 Duro, 1.171" ID x .118" Thk,
42	515-24349	1	CLAMP, 1 3/8", Insul, 7/16" Bolt,
43	895-11008	5	WASHER, M8 x 16 x 1.6,
44	627-8025	1	BOLT, Hex, M8 x 25, 10.9,

сылка	Номер детали	Кол-во	Описание
45	87357608	1	HOSE,
46	515-23254	1	CLAMP, 1", Insul, 3/8" Bolt,
47	829-1408	1	NUT, M8, CI 10,
48	87585897	1	VALVE, HYDRAULIC, Priority / EHPS. See Figure: 08-12
49	701-319	1	ELBOW, 90є, 11/16"-16 ORFS x 11/16"-16 Fem Sw,
50	238-6012	1	O-RING, -012, 90 Duro, .364" ID x .070" Thk,
51	1957867C1	1	SCREEN, FILTER, with O-Rings
52	335104A2	1	HOSE ASSY., 925 mm (36")
53	700-304	1	ELBOW, 90є, 11/16"-18 ORFS x M14 x 1.5 ORB, Incl. 10 & 26
54	87565929	1	TUBE, Diagnostic Priority
55	701-909	1	NUT, LOCK, 11/16"-16, Blkhd,
56	87394490	1	HOSE, 4384 mm (172-1/2"), from Priority Valve to Manifold Valve Auxiliary Load Sense Port



T9040 4WD TRACTOR, ASN (8/07-) - Hydraulic System

08-22 HIGH OUTPUT HYDRAULICS - PUMP LUBRICATION, POWER SHIFT CIRCUIT

сылка	Номер детали	Кол-во	Описание
1	9824055	2	CONNECTOR, HYD., 1-7/16 fc x 1-5/16 Or, Inc. 2, 3
2	9824050	5	O-RING, -021, 90 Duro, .926" ID x .070" Thk,
3	167268	3	O-RING, 16-1, 90 Duro, 1.171" ID x .116" Thk,
4	9625546	1	CAP, 11/16"-16 ORFS,
5	413814A1	1	TUBE ASSY.,
6	515-23206	2	CLAMP, 13/16", Insul, 3/8" Bolt,
7	86637669	1	ELBOW, 90e, 1"-14 x 1 1/16"-12, Adj, ORFS, Inc. 3, 9
8	87674690	1	VALVE, Destroke Pump
9	238-6012	9	O-RING, -012, 90 Duro, .364" ID x .070" Thk,
10	363769A1	1	HOSE ASSY., 700 mm (27-1/2 in)
11	87357608	1	HOSE, 1625 mm (64 in)to Right Front Filter
12	515-23254	1	CLAMP, 1", Insul, 3/8" Bolt,
13	86624184	6	WASHER, M8 x 16 x 1.6,
14	829-1408	1	NUT, M8, CI 10,
15	335103A1	1	HOSE ASSY., 1525 mm (60 in), Charge Pump to Charge Tube
16	87565931	1	BLOCK, Pump
17	86637942	4	SCREW, Hex Soc Hd, 1/2"-13 x 2 1/2",
18	700-165	1	CONNECTOR, HYD., 11/16"-16 ORFS x M12 x 1.5 ORB, Inc. 21 & 22
19	86624181	4	WASHER, M6,
20	238-6222	1	O-RING, -222, 90 Duro, 1.484" ID x .139" Thk,
21	637-63093	1	O-RING, CI 6, 9.3MM ID x 2.2 Thk,
22	9992298	2	O-RING, -014, 90 Duro, .489" ID x .070" Thk,
23	9840589	1	O-RING, -029, 90 Duro, 1.489" ID x .070" Thk,
24	87441879	1	HOSE ASSY.,
25	405572A1	1	TUBE ASSY.,
26	86637769	1	O-RING, -228, 90 Duro, 2.234" ID x .139" Thk,
27	86624194	8	CLAMP, HOSE, #36, 1.81/2.75 Type F Worm,
28	435454A1	2	HOSE, 102 mm (4 in), Cut From : 443069A1
29	413812A1	1	TUBE,
30	511284	1	O-RING, -232, 70 Duro, 2.734" ID x .139" Thk,
31	87441950	1	HOSE ASSY., 724 mm (28-1/2"), to Destroke Valve Drain Port
32	87307313	1	TUBE ASSY.,
33	435413A1	2	HOSE, 114 mm (4-1/2 in), Cut From : 443067A1
34	335104A2	1	HOSE ASSY., 925 mm (36 in)
35	87434311	1	HOSE ASSY., 535 mm (21"), to Destroke Valve Sense Port
36	700-304	2	ELBOW, 90e, 11/16"-18 ORFS x M14 x 1.5 ORB, Inc. 45 & 63
37	300209A1	1	VALVE, Shuttle
38	87441760	1	TUBE ASSY., Piston Pump Supply, Inc. 9 & 67
39	334923A1	1	SCREEN, Destroke Pump, 45 gpm, Inc. 9 & 45
40	9617873	1	O-RING, 6-1, 90 Duro, .468" ID x .078" Thk,
41	84989413	1	ELBOW, 90e, 1 7/16"-12 ORFS x 1 7/16"-12 Fem Sw, Inc. 42
42	9824051	1	O-RING, -025, 90 Duro, 1.176" ID x .070" Thk,
	178889A1	1	FITTING, Diagnostic, Inc. 43 - 44
43	86502604	1	DUST CAP,
44	NSS	1	NOT SERVICED SEPARATELY, Fitting, Diagnostic, Inc. 45

T9040 4WD TRACTOR, ASN (8/07-) - Hydraulic System

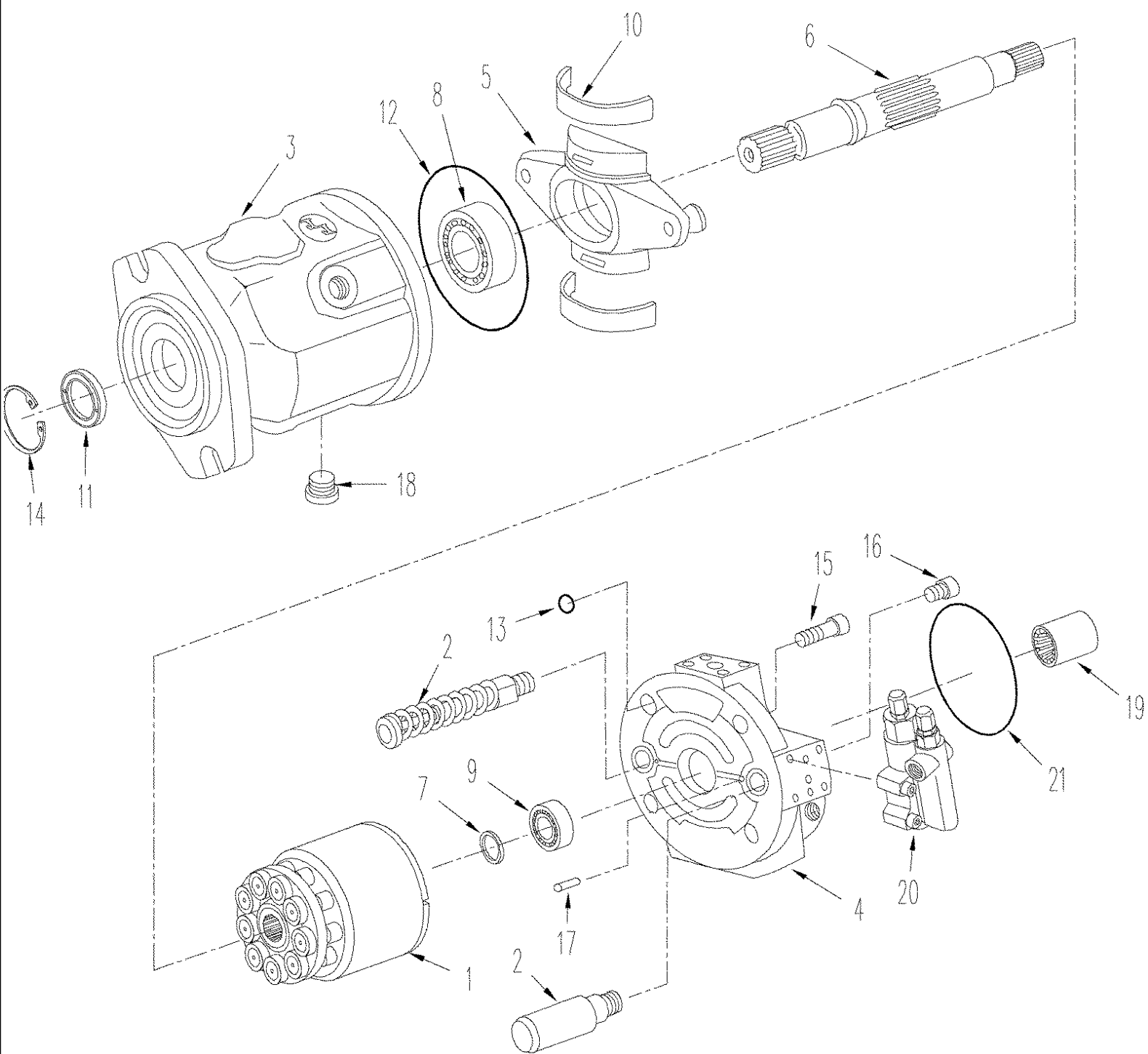
08-22 HIGH OUTPUT HYDRAULICS - PUMP LUBRICATION, POWER SHIFT CIRCUIT

сылка	Номер детали	Кол-во	Описание
45	86639042	3	O-RING, CI 6, 11.3MM ID x 2.2 Thk,
46	358968A1	1	COUPLING, M18 orb x 1,5, Diagnostic, Inc. 47
47	86639043	1	O-RING, 15.3 ID x 2.2
48	700-102	1	CONNECTOR, HYD., 13/16"-16 ORFS x M18 x 1.5 ORB, Inc. 22 & 47
49	87441927	1	HOSE ASSY., 622 mm (24-1/2 in)
50	87550213	1	FITTING, 45, Special, Inc. 2 & 22
51	86556136	2	BOLT, Hex, M6 x 50, 10.9,
52	700-318	2	ELBOW, 45e, 1 7/16"-12 ORFS x M33 x 2 ORB, Inc. 2 & 20
53	86500688	2	NUT, M6, CI 10,
54	396490A1	2	U-BOLT, M8
55	87441813	1	HOSE ASSY., 1403 mm (55-1/4")
56	87388638	1	HOSE, Destroke Outlet to Piston Pump Compenstator
57	87434200	1	BRACKET, Mounting, Destroke Valve
58	87585897	1	VALVE, HYDRAULIC, Priority / EHPS. See Figure: 08-13
59	412250	4	NUT, LOCK, M8 x 1.25, CI 8,
60	700-101	1	CONNECTOR, HYD., 11/16"-16 ORFS x M14 x 1.5 ORB, Inc. 45 & 63
61	86500688	2	NUT, M6, CI 10,
62	701-319	1	ELBOW, 90e, 11/16"-16 ORFS x 11/16"-16 Fem Sw,
63	238-6012	2	O-RING, -012, 90 Duro, .364" ID x .070" Thk,
64	1957867C1	1	SCREEN, FILTER, with O-Ring
65	700-101	1	CONNECTOR, HYD., 11/16"-16 ORFS x M14 x 1.5 ORB, Incl. 9, 45
66	87565927	1	TUBE, Diagnostic Priority
67	701-909	1	NUT, LOCK, 11/16"-16, Blkhd,
68	190119A1	1	COUPLING, Diagnostic
69	87394490	1	HOSE, 4384 mm (172-1/2"), from Priority Valve to Manifold Valve Auxiliary Load Sense Port

T9040 4WD TRACTOR, ASN (8/07-) - Hydraulic System

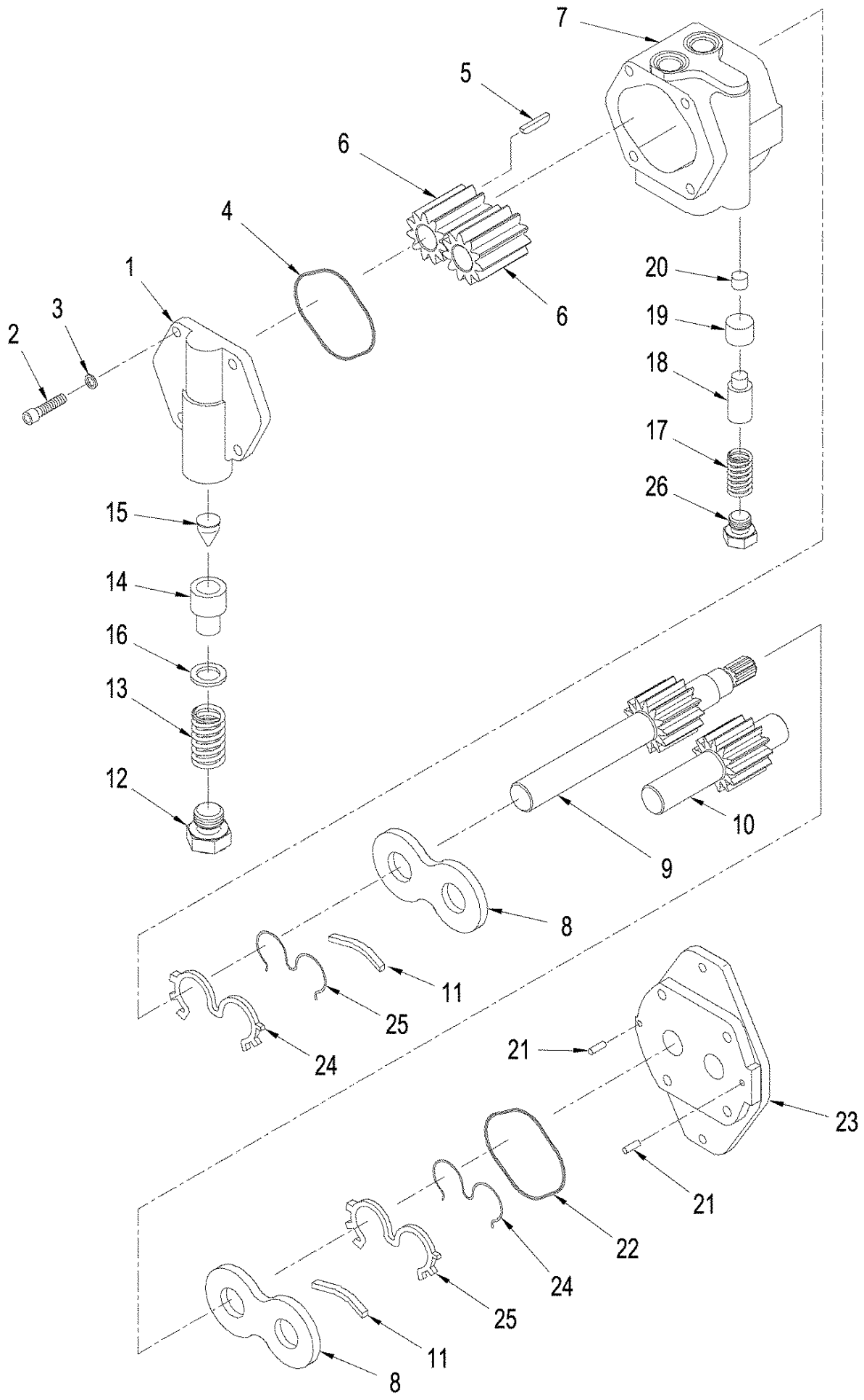
08-23 HIGH OUTPUT HYDRAULICS - PUMP MOUNTING

сылка	Номер детали	Кол-во	Описание
1	87308196	1	PUMP, 100 cc, Piston, See Figure: 08-24
2	496-81022	2	WASHER, .656" x 1.250" x .239" Thk
3	627-16050	2	BOLT, Hex, M16 x 50, 10.9,
4	510828	1	O-RING, -250, 70 Duro, 4.984" ID x .139" Thk,
5	87427941	1	PUMP, HYDRAULIC, Gear, See Figure: 08-25
6	A14141	2	FLANGE, Split
7	88904	8	BOLT, Hex, 1/2"-13 x 1 1/2", G8, Full Thd,
8	L14386	2	CLAMP, Split
9	43260	2	BOLT, Hex, M12 x 30, 10.9,
10	87419159	1	PLATE, Lower
11	87419459	1	BRACKET, Mounting, Gear / Piston Pump, Power Shift Transmission
11	87419160	1	BRACKET, Mounting, Gear / Piston Pump, Manual Shift Transmission
12	87362	8	WASHER, 5/16" SAE,
13	86528579	4	NUT, LOCK, M8 x 1.25, CI 10,
14	43235	4	BOLT, Hex, M8 x 30, 10.9,
15	L111928	2	CLAMP,
16	436514A1	1	O-RING,
17	201-125	1	CONNECTOR, HYD., 11/16"-16 ORFS x 7/16"-20 ORB, Inc. 18 & 19
18	237-6004	1	O-RING, 4-1, 90 Duro, .351" ID x .072" Thk,
19	238-6012	1	O-RING, -012, 90 Duro, .364" ID x .070" Thk,



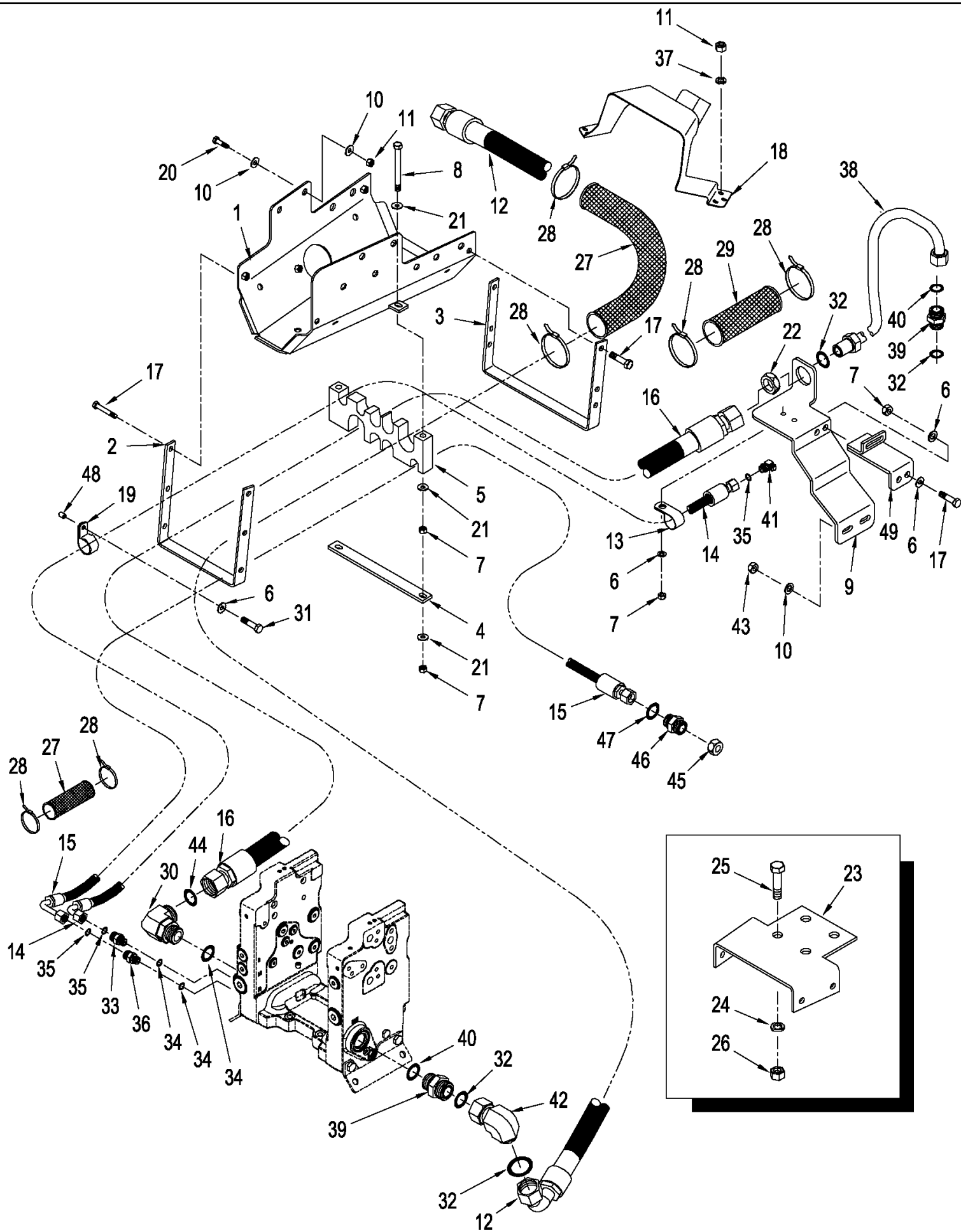
08-24 HIGH OUTPUT HYDRAULICS - PISTON PUMP ASSY

сылка	Номер детали	Кол-во	Описание
	87308196	1	PUMP, Piston, 100 cc, Inc. 1 - 20
1	NSS	1	NOT SERVICED SEPARATELY, Cylinder Assy
2	NSS	1	NOT SERVICED SEPARATELY, Piston Assy
3	NSS	1	NOT SERVICED SEPARATELY, Housing
4	NSS	1	NOT SERVICED SEPARATELY, Block
5	NSS	1	NOT SERVICED SEPARATELY, Plate, Swash
6	NSS	1	NOT SERVICED SEPARATELY, Shaft
7	NSS	1	NOT SERVICED SEPARATELY, Spacer
8	NSS	1	NOT SERVICED SEPARATELY, Bearing, Roller
9	NSS	1	NOT SERVICED SEPARATELY, Bearing, Roller
10	NSS	2	NOT SERVICED SEPARATELY, Bearing, Support
11	NSS	1	NOT SERVICED SEPARATELY, Seal
12	NSS	1	NOT SERVICED SEPARATELY, O-Ring
13	NSS	4	NOT SERVICED SEPARATELY, O-Ring
14	NSS	1	NOT SERVICED SEPARATELY, Ring, Retaining
15	NSS	4	NOT SERVICED SEPARATELY, Screw
16	NSS	1	NOT SERVICED SEPARATELY, 1-1/16"-12 Or
17	NSS	1	NOT SERVICED SEPARATELY, Pin, Dowel
18	NSS	2	NOT SERVICED SEPARATELY, Plug
19	NSS	1	NOT SERVICED SEPARATELY, Coupling
20	87308198	1	COMPENSATOR, Compensator
21	436514A1	1	O-RING,
	388292A1	1	KIT, SEALS, Inc. 11 - 13, 21



08-25 GEAR PUMP ASSY

сылка	Номер детали	Кол-во	Описание
	87427941	1	PUMP, HYDRAULIC, Gear, Inc. 1 - 26
1	NSS	1	NOT SERVICED SEPARATELY, Housing, Rear
2	NSS	8	NOT SERVICED SEPARATELY, Screw
3	NSS	8	NOT SERVICED SEPARATELY, Washer
4	NSS	1	NOT SERVICED SEPARATELY, Seal
5	NSS	1	NOT SERVICED SEPARATELY, Pin, Dowel
6	NSS	2	NOT SERVICED SEPARATELY, Gear
7	NSS	1	NOT SERVICED SEPARATELY, Housing, Gear
8	NSS	2	NOT SERVICED SEPARATELY, Plate, Thrust
9	NSS	1	NOT SERVICED SEPARATELY, Shaft, Gear
10	NSS	1	NOT SERVICED SEPARATELY, Shaft, Gear
11	NSS	2	NOT SERVICED SEPARATELY, Seal
	87427777	1	VALVE KIT, Gear Pump, 153 psi, Inc. 12 - 15
12	NSS	1	NOT SERVICED SEPARATELY, Plug
13	NSS	1	NOT SERVICED SEPARATELY, Spring
14	NSS	1	NOT SERVICED SEPARATELY, Poppet, Valve
15	NSS	1	NOT SERVICED SEPARATELY, Seat
16	NSS	1	NOT SERVICED SEPARATELY, Shim
	245847A1	1	PACKAGE, Pressure Relief, Gear Pump, 550 psi, Inc. 17 - 20, 26
17	NSS	1	NOT SERVICED SEPARATELY, Spring
18	NSS	1	NOT SERVICED SEPARATELY, Plunger
19	NSS	1	NOT SERVICED SEPARATELY, Poppet, Valve
20	NSS	1	NOT SERVICED SEPARATELY, Seat
21	NSS	2	NOT SERVICED SEPARATELY, Pin, Dowel
22	NSS	1	NOT SERVICED SEPARATELY, Seal
23	NSS	1	NOT SERVICED SEPARATELY, Housing, Front
24	NSS	2	NOT SERVICED SEPARATELY, Seal, Channel
25	NSS	2	NOT SERVICED SEPARATELY, Seal, Backup
26	NSS	1	NOT SERVICED SEPARATELY, Plug
	334450A1	1	KIT, SEALS, Repair, Inc. 11, 20, 22, 24, 25



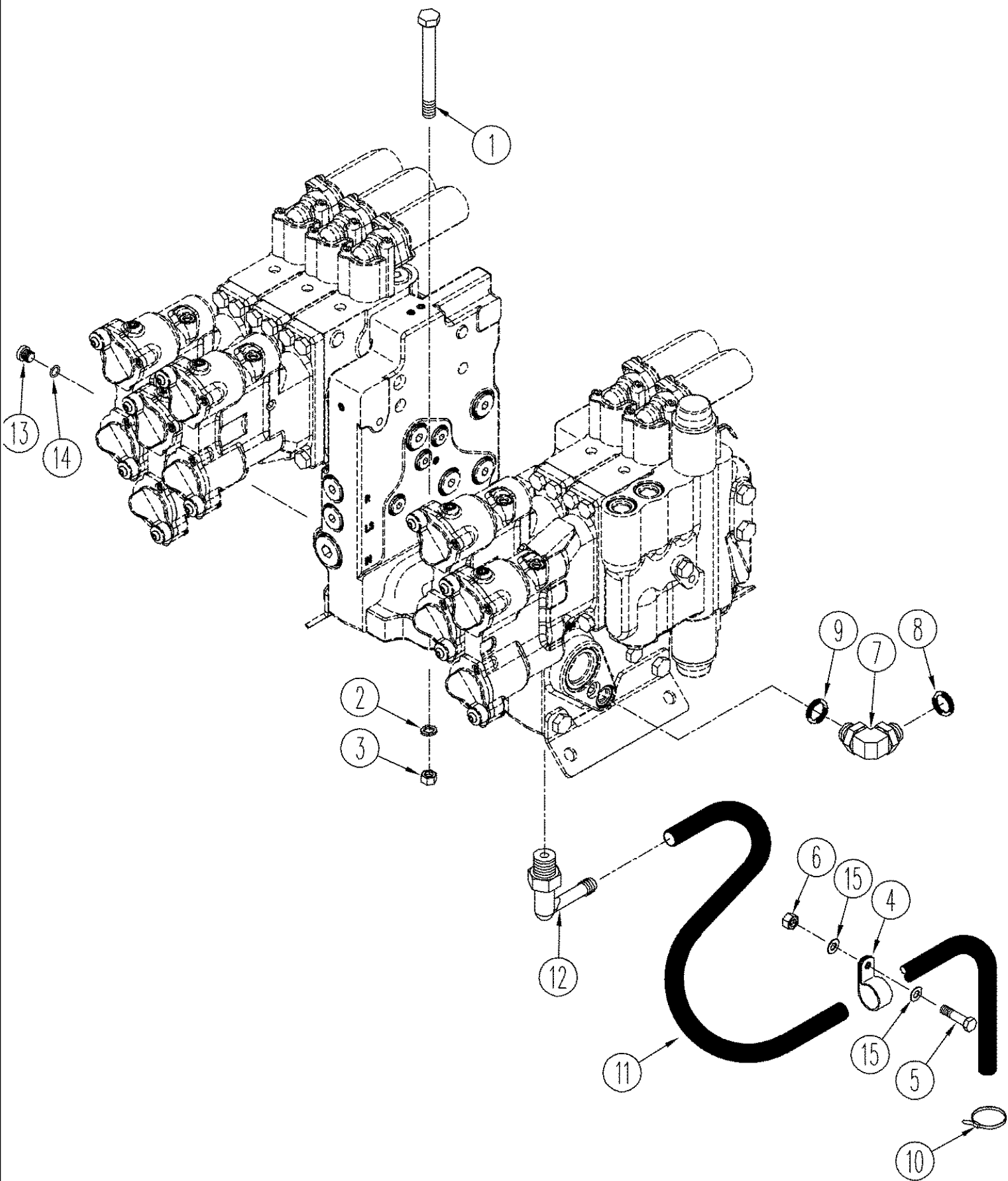
08-26 HYDRAULIC REMOTE HOSES ELECTRONIC REMOTE

сылка	Номер детали	Кол-во	Описание
1	87385879	1	BRACKET, Hoses
2	405517A1	1	BRACKET,
3	87388511	1	BRACKET,
4	405520A1	1	PLATE,
5	362419A1	1	CLAMP,
6	86624184	10	WASHER, M8 x 16 x 1.6,
7	43362	6	NUT, M8, CI 10,
8	86639040	2	BOLT, Hex, M8 x 100, 10.9, Full Thd,
9	87306262	1	BRACKET,
10	86624176	10	WASHER, M10 x 20 x 2,
11	86500689	8	NUT, M10, CI 10,
12	360134A2	1	HOSE ASSY., 3238 mm (127 in)
13	515-23206	1	CLAMP, 13/16", Insul, 3/8" Bolt,
14	87394490	1	HOSE, Priority Valve to Auxiliary Load Sense, 4384 mm (172-1/2")
15	87539204	1	HOSE, Regulator to Auxiliary Pump Supply, 3323 mm (131")
16	87438667	1	HOSE, from Priority Valve to Auxiliary Inlet, 3300 mm (130")
17	43127	7	BOLT, Hex, M8 x 25, 8.8,
18	405521A1	1	SHIELD,
19	86594406	1	CLAMP, 5/8", Insul, 3/8" Bolt,
20	86624177	4	WASHER, M12 x 24 x 2.5,
21	86625263	5	WASHER, M8 x 20 x 1.6,
22	701-908	1	NUT, LOCK, 1 7/16"-12, ORFS Blkhd,
23	404604A1	1	BRACKET, , Without Power Takeoff
24	86625266	4	WASHER, M17.5 x 30 x 4, HT,
25	827-16100	4	BOLT, Hex, M16 x 100, 10.9,
26	392530	4	NUT, M16, CI 10,
27	387840A1	2	SLEEVE, 610 mm (24")
28	L18331	6	STRAP, CABLE,
29	S120426	1	SLEEVE,
30	700-308	1	ELBOW, 90°, 1 7/16"-12 ORFS x M33 x 2 ORB, Inc. 32 & 40
31	86625003	1	BOLT, Hex, M8 x 50, 10.9,
32	9824050	4	O-RING, -021, 90 Duro, .926" ID x .070" Thk,
33	334923A1	1	SCREEN, Inc. 34 & 35
34	86639042	3	O-RING, CI 6, 11.3MM ID x 2.2 Thk,
35	9993141	4	O-RING, -012, 90 Duro, .364" ID x .070" Thk,
36	339487A2	1	CONNECTOR, HYD., Inc. 34 & 35
37	86625252	4	WASHER, M10 x 21.5 x 2.5, HT,
38	86642448	1	O-RING, CI 6, 9.3MM ID x 2.2 Thk, EF Outlet
39	86580179	2	CONNECTOR, HYD., 1 7/16"-12 ORFS x M22 x 2 ORB, Inc. 40, 32
40	86639046	1	O-RING, CI 6, 29.6MM ID x 2.9 Thk,
41	701-319	1	ELBOW, 90°, 11/16"-16 ORFS x 11/16"-16 Fem Sw, Incl. 35
42	701-339	1	ELBOW, 90°, 1 7/16"-12 ORFS x 1 7/16"-12 Fem Sw, Inc. 32, Used without Three Point Hitch
42	311834A1	1	ELBOW, Inc. 32, Used with Three Point Hitch
43	832-10410	2	NUT, LOCK, M10 x 1.5, CI 8,
44	238-6014	1	O-RING, -014, 90 Duro, .489" ID x .070" Thk,

T9040 4WD TRACTOR, ASN (8/07-) - Hydraulic System

08-26 HYDRAULIC REMOTE HOSES ELECTRONIC REMOTE

сылка	Номер детали	Кол-во	Описание
45	86639095	1	NUT, TUBE, 1"-14, ORFS,
46	86622968	1	REDUCER, 13/16"-16 Male x 1"-14 Fem, ORFS, Inc. 47
47	9992069	1	O-RING, -016, 90 Duro, .614" ID x .070" Thk,
48	371838A1	1	SPACER,
49	87540204	1	BRACKET, Support

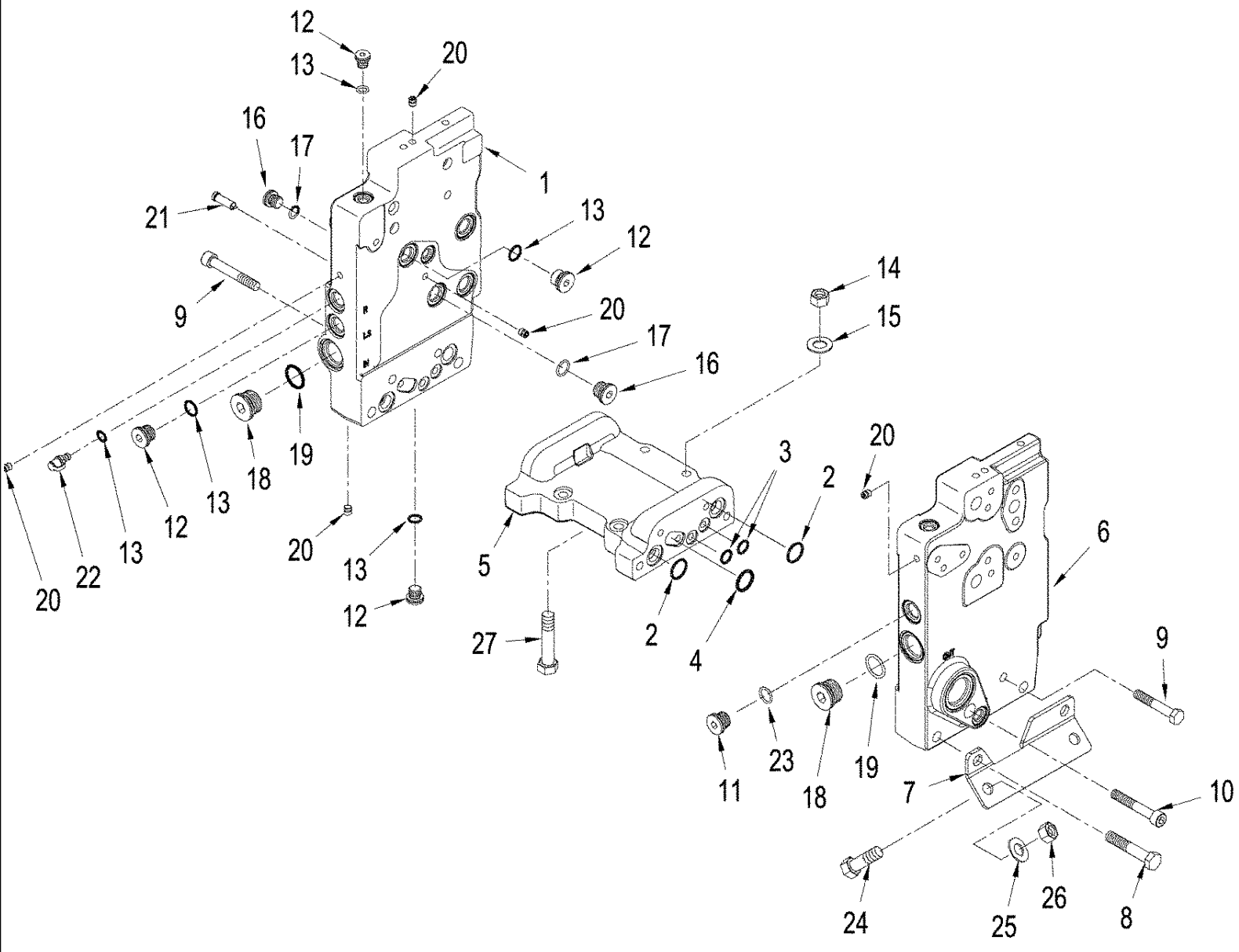


T9040 4WD TRACTOR, ASN (8/07-) - Hydraulic System

08-27 HYDRAULIC REMOTE CONTROL VALVE

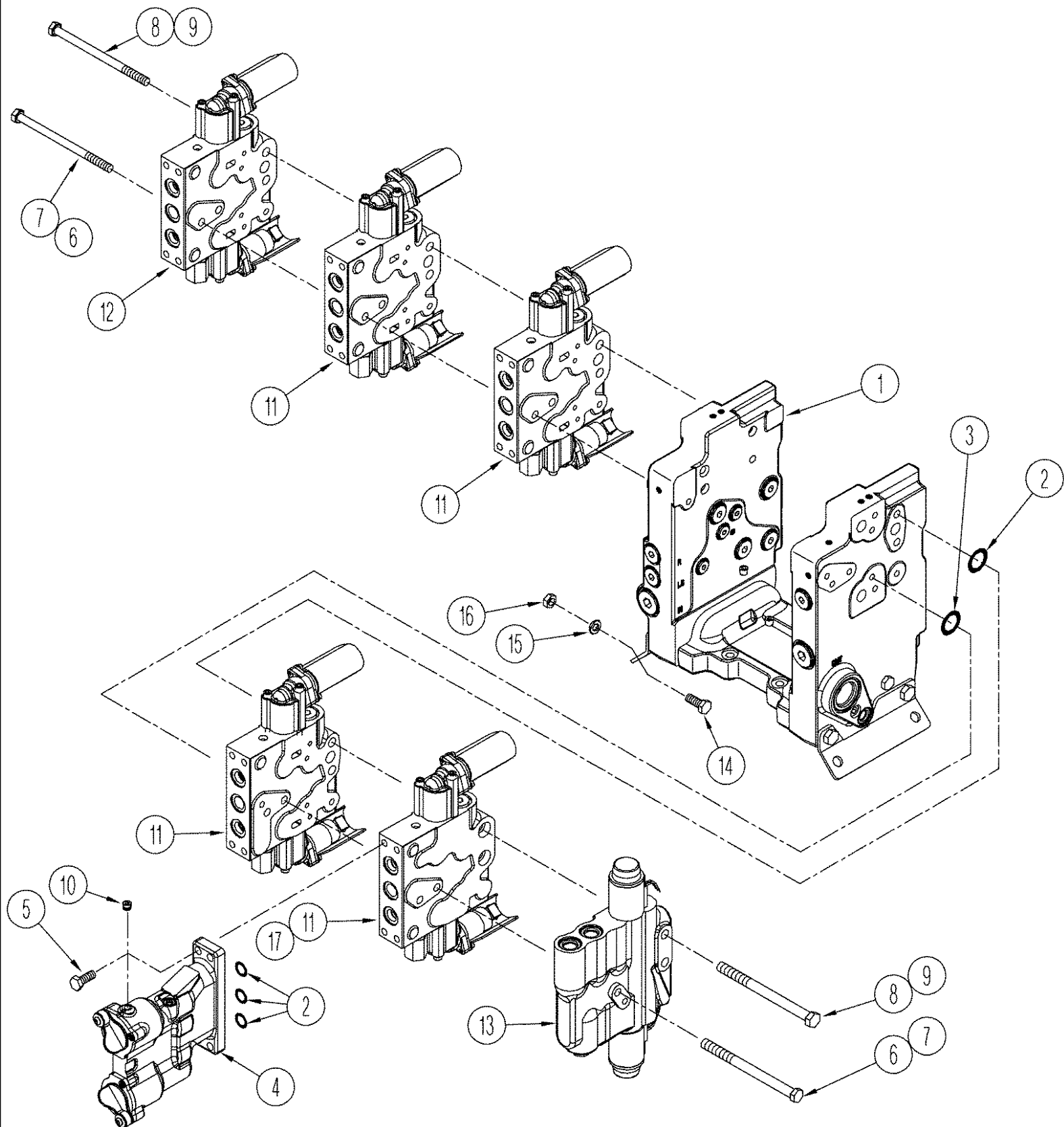
сылка	Номер детали	Кол-во	Описание
1	355788	2	BOLT, Hex, M10 x 70, 10.9,
2	86625252	2	WASHER, M10 x 21.5 x 2.5, HT,
3	86514720	2	NUT, LOCK, M10 x 1.5
4	9827902	2	CLAMP, 1", Insul, 3/8" Bolt,
5	9515003	2	BOLT, Hex, M10 x 30, 10.9, Full Thd,
6	86500689	2	NUT, M10, CI 10,
7	86579689	1	ELBOW, 90є, 13/16"-18 ORFS x M14 x 1.5 ORB, Inc. 8, 9
8	9992298	1	O-RING, -014, 90 Duro, .489" ID x .070" Thk,
9	86639042	1	O-RING, CI 6, 11.3MM ID x 2.2 Thk,
10	435437A1	2	STRAP, CABLE, 3/16" x 7 1/4",
11	320374A1	AR	HOSE, Drain, 889 mm (35 in), Cut From : 443078A1
12	1289481C1	AR	ELBOW, 90, 1/4" stem x 1/8" PT
13	221576A1	1	PLUG, Hex Soc, M14 x 1.5, ORB, Inc. 14
14	86639042	1	O-RING, CI 6, 11.3MM ID x 2.2 Thk,
15	86624176	4	WASHER, M10 x 20 x 2,

08-28 MANIFOLD VALVE ASSY



08-28 MANIFOLD VALVE ASSY

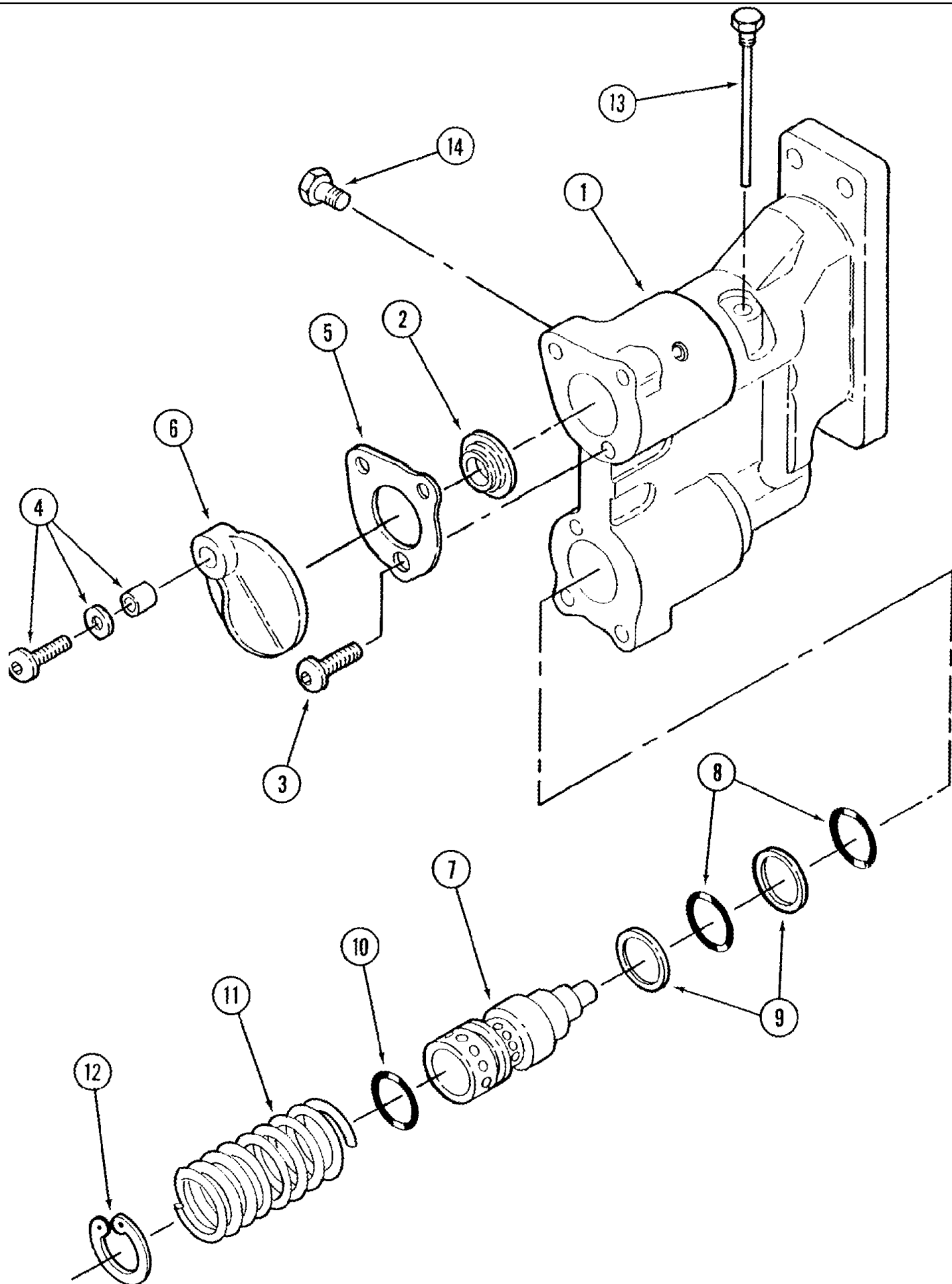
сылка	Номер детали	Кол-во	Описание
	87578889	1	VALVE SECTION, Manifold, Inc. 1 - 13, 16, 20 & 21
1	NSS	1	NOT SERVICED SEPARATELY, Valve, Manifold, Intake, Left-Hand
2	277634	4	O-RING, -117, 90 Duro, .799" ID x .103" Thk,
3	272344	4	O-RING, -112, 90 Duro, .487" ID x .103" Thk,
4	86505727	2	O-RING, -211, 70 Duro, .796" ID x .139" Thk,
5	NSS	1	NOT SERVICED SEPARATELY, Valve, Manifold, Centor Section
6	NSS	1	NOT SERVICED SEPARATELY, Valve, Manifold, Outlet, Right-Hand
7	338681A1	2	BRACKET, Mounting, Manifold
8	86639228	4	BOLT, Hex, M12 x 65, 10.9,
9	86508619	2	BOLT, Hex, M10 x 60, 10.9,
10	86639266	2	SCREW, Hex Soc Hd, M10 x 70, 12.9,
11	86598047	1	PLUG, Hex Soc, M22 x 1.5, ORB, Inc. 23
12	86598046	10	PLUG, Hex Soc, M18 x 1.5, ORB, Inc. 13
13	86639043	10	O-RING, 15,3 ID x 2,2
14	86514720	2	NUT, LOCK, M10 x 1.5
15	86625252	2	WASHER, M10 x 21.5 x 2.5, HT,
16	86598044	7	PLUG, Hex Soc, M14 x 1.5, ORB, Inc. 17
17	86639042	7	O-RING, CI 6, 11.3MM ID x 2.2 Thk,
18	221580A1	2	PLUG, Hex Soc, M27 x 2, ORB, Inc. 19
19	86639045	2	O-RING, CI 6, 23.6MM ID x 2.9 Thk,
20	353828A1	13	PLUG, Expansion
21	334923A1	1	SCREEN,
22	358968A1	1	COUPLING, M18 orb x 1,5, Diagnostic, If Used, Inc. 13
23	86639044	1	O-RING, CI 6, 19.3MM ID x 2.2 Thk,
24	337563	4	BOLT, Hex, M12 x 40, 10.9, Full Thd,
25	86625255	4	WASHER, M13.5 x 24.5 x 3, HT,
26	412126	4	NUT, LOCK, M12 x 1.75, CI 8,
27	86508619	2	BOLT, Hex, M10 x 60, 10.9,



08-29 REMOTE VALVE ASSY - ELECTRONIC CONTROLLED

сылка	Номер детали	Кол-во	Описание
1	87578889	1	VALVE SECTION, Manifold, See Figure: 08-28
2	277634	AR	O-RING, -117, 90 Duro, .799" ID x .103" Thk,
3	272344	AR	O-RING, -112, 90 Duro, .487" ID x .103" Thk,
4	435375A1	AR	COUPLING, BREAK AWAY, See Figure: 08-30
5	9846677	AR	BOLT, Hex, M10 x 25, 10.9, Full Thd,
6	86556139	AR	BOLT, Hex, M10 x 110, 10.9,
7	86639227	AR	BOLT, Hex, M10 x 160, 10.9,
8	9501756	AR	BOLT, Hex, M12 x 110, 10.9,
9	86837481	AR	SCREW, Hex Soc Hd, M12 x 150, 12.9,
10	86637724	5	PLUG, Hex Soc, 1/8"-27 NPTF,
11	292295A3	AR	VALVE, Main, Four and Five Stack, See Figure: 08-31
12	393972A3	1	VALVE, Auxiliary, LH, See Figure: 08-31
13	319131A4	1	VALVE, Hitch, See Figure: 08-32
14	337563	AR	BOLT, Hex, M12 x 40, 10.9, Full Thd,
15	86625255	4	WASHER, M13.5 x 24.5 x 3, HT,
16	412126	4	NUT, LOCK, M12 x 1.75, CI 8,
17	393973A3	1	VALVE, Auxiliary, RH, See Figure: 08-31

08-30 COUPLER VALVE ASSY

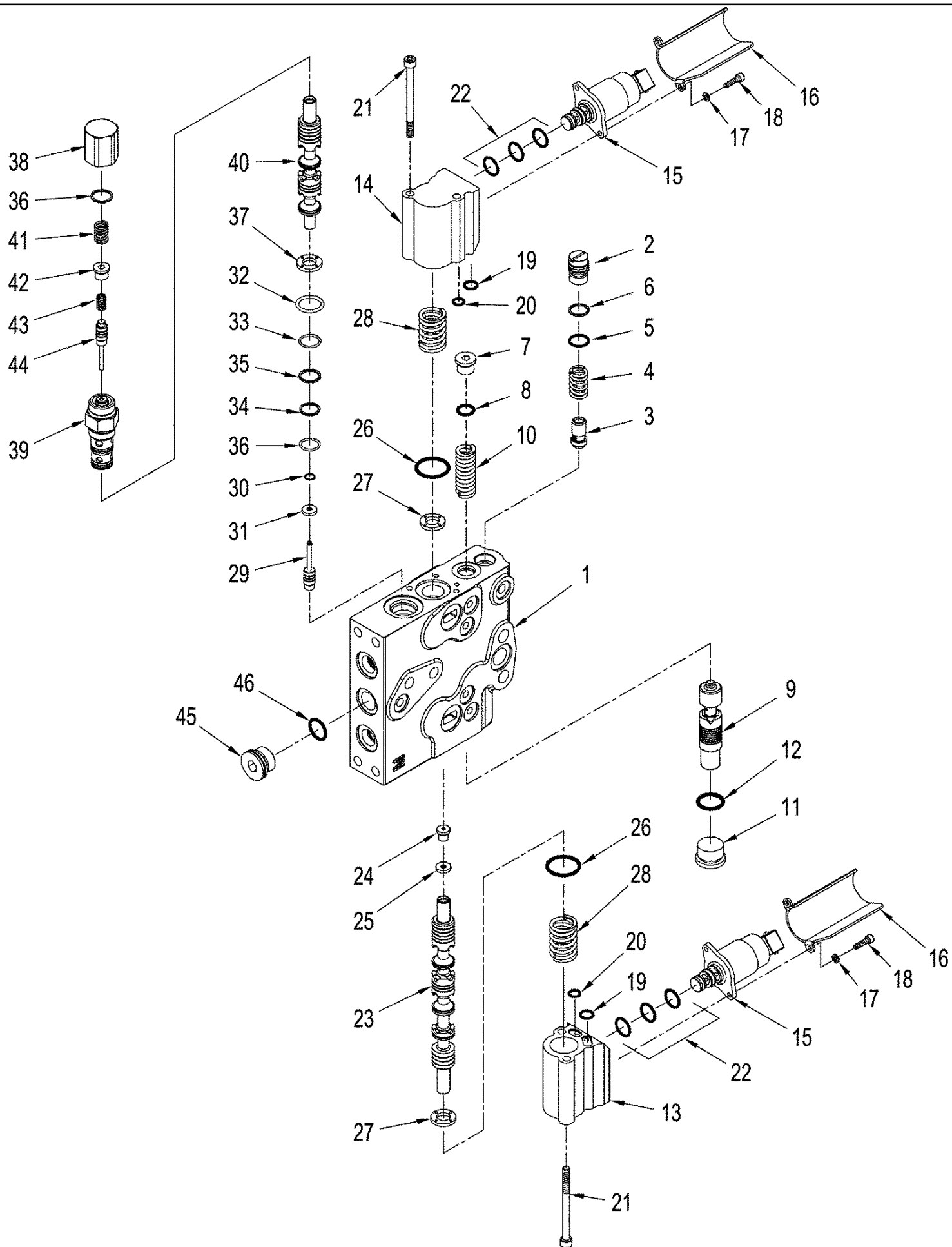


T9040 4WD TRACTOR, ASN (8/07-) - Hydraulic System

08-30 COUPLER VALVE ASSY

сылка	Номер детали	Кол-во	Описание
	435375A1	1	COUPLING, BREAK AWAY, Inc. 1 - 7
1	NSS	1	NOT SERVICED SEPARATELY, Body
2	240969A1	2	SEAL, Dust
3	427104A1	4	SCREW,
4	240973A2	2	SCREW, With Sleeve and Washer
5	292326A1	2	PLATE, Cover
6	240974A2	2	COVER, DOOR, Dust
7	321623A2	2	COUPLING, QUICK, MALE,
	345193A1	1	KIT, SEALS, Coupler, Inc. 8 - 10
8	14454480	4	O-RING, -027, 70 Duro, 1.301" ID x .070" Thk,
9	93332C1	4	SEAL ASSY.,
10	345192A1	2	SEAL, O-Ring
11	93330C1	2	SPRING, VALVE,
12	86013223	2	RING, SNAP, 1.625", Int, #162,
13	367755A1	2	RETAINER, Retaining
14	86642422	1	PLUG, Hex Socket, 1/4 PT

08-31 MAIN AND AUXILIARY VALVE ASSY - ELECTRONIC REMOTE



T9040 4WD TRACTOR, ASN (8/07-) - Hydraulic System

08-31 MAIN AND AUXILIARY VALVE ASSY - ELECTRONIC REMOTE

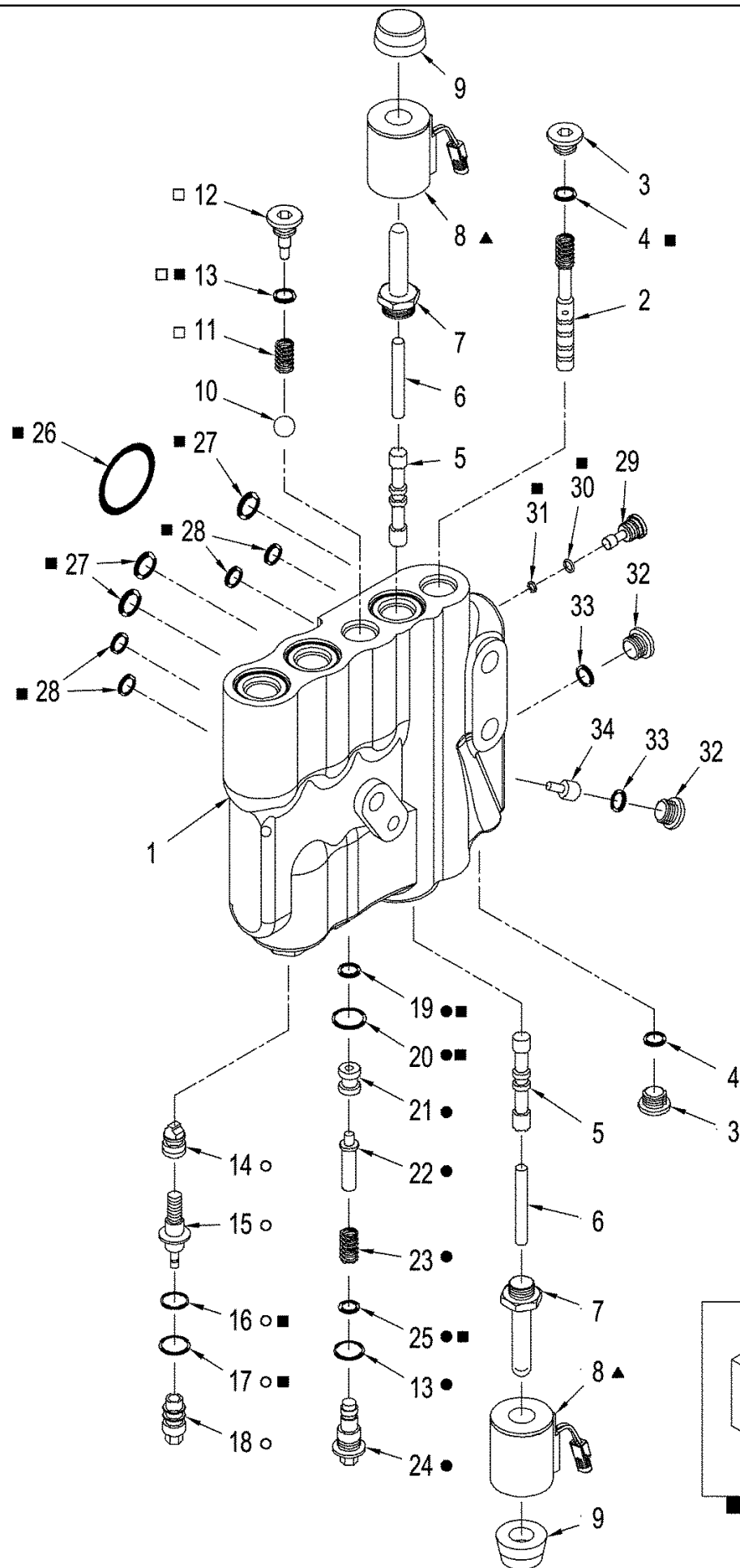
сылка	Номер детали	Кол-во	Описание
	292295A3	1	VALVE, Main, Inc. 1 - 46
	393972A3	1	VALVE, Auxiliary, LH, Inc. 1 - 46
	393973A3	1	VALVE, RH, Inc. 1 - 46
1	NSS	1	NOT SERVICED SEPARATELY, Body
	1542563C1	1	VALVE, CHECK, Logic, Inc. 2 - 6
2	NSS	1	NOT SERVICED SEPARATELY, Plug
3	1543329C1	1	POPPET, VALVE,
4	NSS	1	NOT SERVICED SEPARATELY, Spring
5	G108723	1	RING,
6	165212	1	O-RING, -015, 90 Duro, .551" ID x .070" Thk,
7	9625178	1	PLUG, Hex Soc, 9/16"-18 ORB, Inc. 8
8	167266	1	O-RING, 12-1, 90 Duro, .924 ID x .116" Thk,
9	292321A2	1	SPOOL,
10	301973A1	1	SPRING,
11	86625138	1	PLUG, Hex Soc, 7/8"-14 ORB, Inc. 12
12	167269	1	O-RING, 10-1, 90 Duro, .755" ID x .097" Thk,
	336278A3	1	VALVE SECTION, HYD, EH Pilot Block, Inc. 13 - 20
	392403A2	1	VALVE, PILOT, EH Block, Inc. 14 - 22
13	NSS	1	NOT SERVICED SEPARATELY, Body
14	NSS	1	NOT SERVICED SEPARATELY, Body
15	278506A2	1	VALVE, SOLENOID, Proportional
16	353830A1	1	GUARD,
17	86639307	2	WASHER, Lock, 4 mm
18	86624126	2	SCREW, Hex Soc Hd, M4 x 16, 8.8,
19	86629543	1	O-RING, -012, 70 Duro, .364" ID x .070" Thk,
20	9672548	1	O-RING, -011, 70 Duro, .301" ID x .070" Thk,
21	86639300	2	SCREW, Socket, M6 x 75; 8.8
22	372228A1	1	SEAL, O-Ring Kit
23	87410063	1	SPOOL,
24	86632547	1	PLUG, Hex Soc, 5/16"-24 ORB, Inc. 25
25	167269	1	O-RING, 10-1, 90 Duro, .755" ID x .097" Thk,
26	9672549	2	O-RING, -120, 70 Duro, .987" ID x .103" Thk,
27	436518A1	2	WASHER, Centering
28	87706278	2	SPRING, COMPRESSION, Return, Outer
	1957907C1	1	PISTON ASSY., Load Check, Inc. 29 - 31
29	NSS	1	NOT SERVICED SEPARATELY, Piston
30	NSS	1	NOT SERVICED SEPARATELY, Ring, Snap
31	NSS	1	NOT SERVICED SEPARATELY, Washer
	278550A2	1	VALVE, CHECK, Load, Inc. 32 - 44
32	9992069	1	O-RING, -016, 90 Duro, .614" ID x .070" Thk,
33	G103862	1	RING,
34	G108723	1	RING,
35	165212	1	O-RING, -015, 90 Duro, .551" ID x .070" Thk,
36	167269	2	O-RING, 10-1, 90 Duro, .755" ID x .097" Thk,
37	G108727	1	RING, BACK-UP,

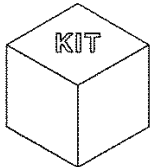
T9040 4WD TRACTOR, ASN (8/07-) - Hydraulic System

08-31 MAIN AND AUXILIARY VALVE ASSY - ELECTRONIC REMOTE

сылка	Номер детали	Кол-во	Описание
38	NSS	1	NOT SERVICED SEPARATELY, Cap
39	NSS	1	NOT SERVICED SEPARATELY, Poppet
40	NSS	1	NOT SERVICED SEPARATELY, Body, Valve
41	NSS	1	NOT SERVICED SEPARATELY, Spring
42	1957964C1	1	RETAINER, Spring
43	NSS	1	NOT SERVICED SEPARATELY, Spring
44	NSS	1	NOT SERVICED SEPARATELY, Poppet
45	86632547	1	PLUG, Hex Soc, 5/16"-24 ORB, Inc. 46
46	9617873	1	O-RING, 6-1, 90 Duro, .468" ID x .078" Thk,

08-32 HITCH VALVE ASSEMBLY - ELECTRONIC REMOTE



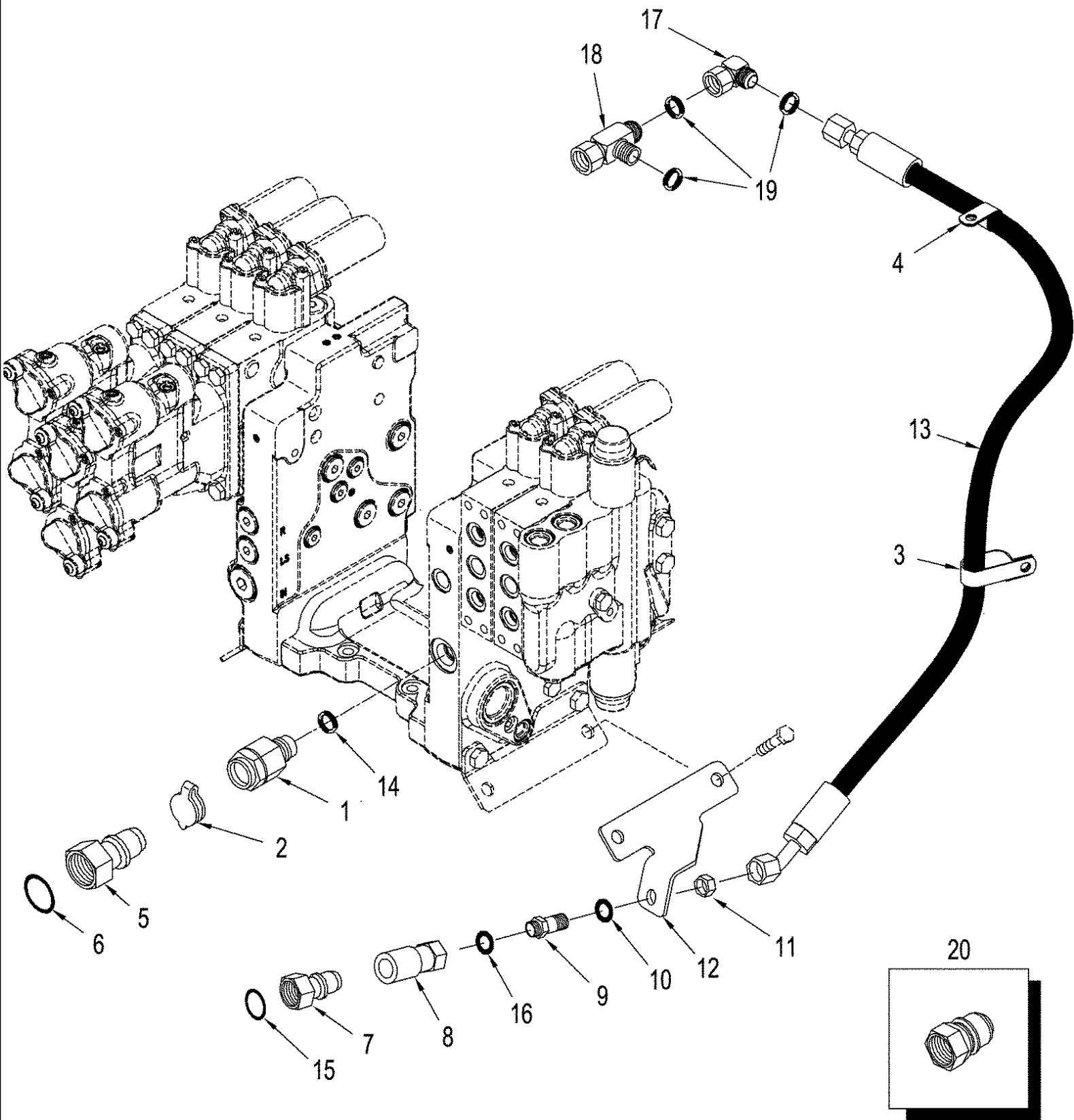
 KIT	● = 35
	■ = 36
	▲ = 37
	○ = 38
	□ = 39

T9040 4WD TRACTOR, ASN (8/07-) - Hydraulic System

08-32 HITCH VALVE ASSEMBLY - ELECTRONIC REMOTE

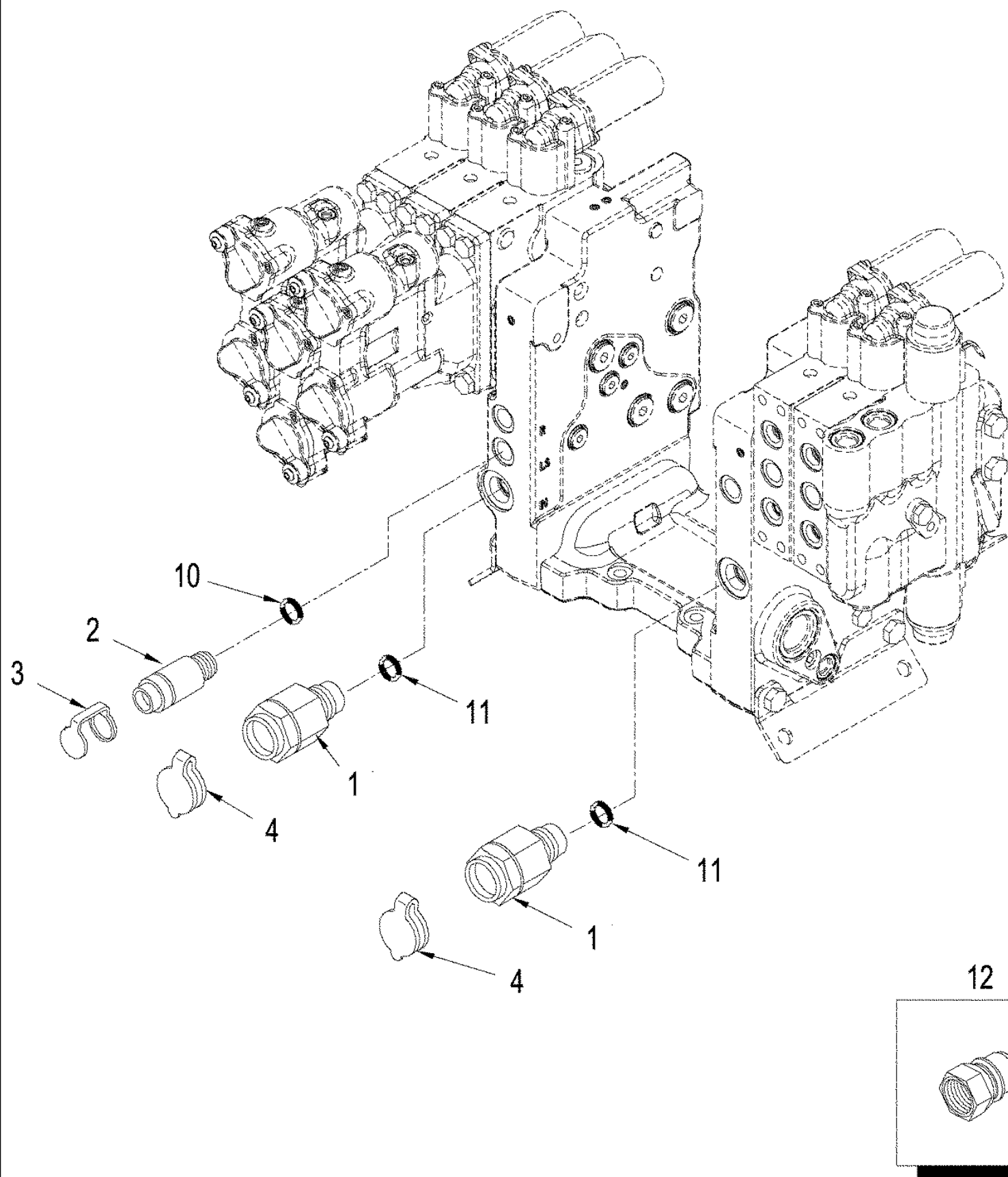
сылка	Номер детали	Кол-во	Описание
	319131A4	1	VALVE, Hitch, Inc. 1 - 34
1	NSS	1	NOT SERVICED SEPARATELY, Housing
2	NSS	1	NOT SERVICED SEPARATELY, Spool
3	86590562	2	PLUG, Hex Soc, 3/4"-16 ORB, Inc. 4
4	128825	2	O-RING, 8-1, 90 Duro, .644" ID x .087" Thk,
5	188104A1	2	SPOOL, Pilot
6	188116A1	2	PIN,
7	188117A1	2	TUBE, Override
8	NSS	2	NOT SERVICED SEPARATELY, Coil
9	188106A1	2	NUT,
10	86637957	1	BALL, 20mm Dia,
11	188114A1	1	SPRING, Compression
12	373760A1	1	PLUG,
13	167269	2	O-RING, 10-1, 90 Duro, .755" ID x .097" Thk,
14	NSS	1	NOT SERVICED SEPARATELY, Poppet Valve
15	NSS	1	NOT SERVICED SEPARATELY, Stem, Servo
16	9672929	1	O-RING, .989" ID x .070" Thk
17	129740	1	O-RING, -023, 70 Duro, 1.051" ID x .070" Thk,
18	118111A1	1	TUBE,
19	9825770	1	O-RING, -011, 90 Duro, .301" ID x .070" Thk,
20	373767A1	1	RING, Backup
21	NSS	1	NOT SERVICED SEPARATELY, Seat
22	NSS	1	NOT SERVICED SEPARATELY, Valve
23	NSS	1	NOT SERVICED SEPARATELY, Compression
24	NSS	1	NOT SERVICED SEPARATELY, Plug
25	130282	1	O-RING, -014, 70 Duro, .489" ID x .070" Thk,
26	165217	1	O-RING, -142, 90 Duro, 2.362" ID x .103" Thk,
27	277634	3	O-RING, -117, 90 Duro, .799" ID x .103" Thk,
28	272344	5	O-RING, -112, 90 Duro, .487" ID x .103" Thk,
29	373761A1	1	PLUG,
30	165202	1	O-RING, 4-1, 90 Duro, .351" ID x .072" Thk,
31	86513328	2	O-RING, 3-1, .301" ID x .064" Thk,
32	86529630	2	PLUG, Hex Soc, 3/8"-24 ORB,
33	86513328	2	O-RING, 3-1, .301" ID x .064" Thk,
34	373758A1	1	VALVE, Check, Load Sense
35	373756A1	1	KIT, Relief
36	373757A1	1	KIT, Seal
37	243254A1	2	KIT, Solenoid
38	87430152	1	KIT, SERVICE, Meter Out
39	87423671	1	KIT, SPRING, Hitch Valve, Load Drop Check

08-33 MOTOR RETURN



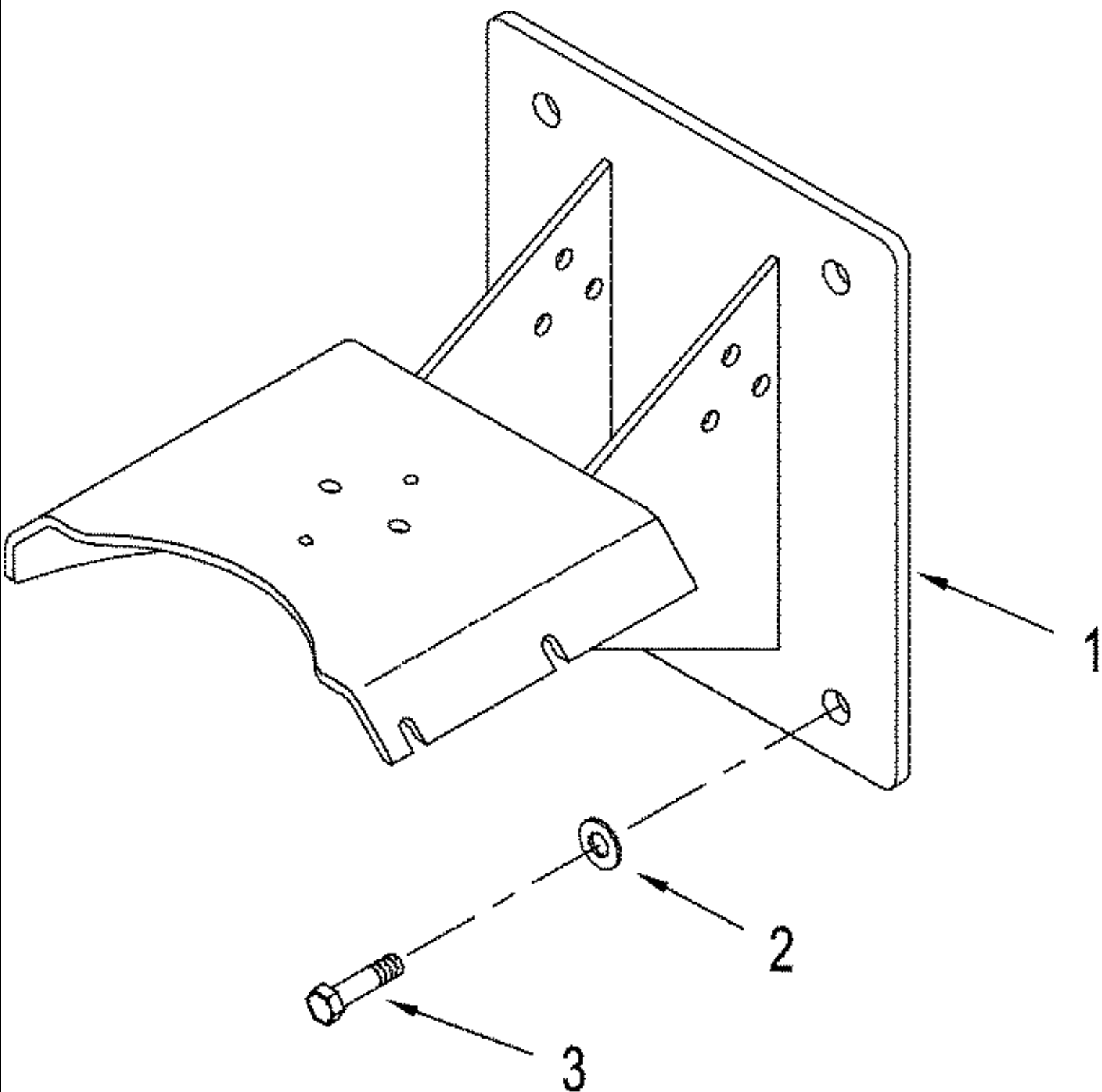
08-33 MOTOR RETURN

сылка	Номер детали	Кол-во	Описание
1	298291A1	1	BODY, Hydr., 3/4", Auxiliary, Main Return
2	334216A1	1	CAP, Dust
3	86637979	1	CLAMP, 13/16", Insul, 3/8" Bolt,
4	R54363	1	CLAMP,
5	347755A1	1	COUPLING, Hydr., 3/4" Male x 1-1/16" Female orb, Inc. 6
6	167266	1	O-RING, 12-1, 90 Duro, .924 ID x .116" Thk,
7	385358A1	1	COUPLING, Hydr., 1/2" Male x 3/8" Female orb, Inc. 15
8	385357A1	1	COUPLING, Hydr., Female
9	436249A1	1	FITTING, 3/4" or x 13/16" fc sl, Inc. 10 & 16
10	9992298	1	O-RING, -014, 90 Duro, .489" ID x .070" Thk,
11	86639083	1	NUT, LOCK, 13/16"-16, ORFS Blkhd,
12	442477A2	1	BRACKET, Motor Drain
13	444060A1	1	HOSE ASSY., 2171 mm (85")
14	86598103	2	O-RING, CI 6, 23.6MM ID x 2.9 Thk,
15	128825	1	O-RING, 8-1, 90 Duro, .644" ID x .087" Thk,
16	9617873	1	O-RING, 6-1, 90 Duro, .468" ID x .078" Thk,
17	84989383	1	ELBOW, 90є, 13/16"-16 ORFS x 13/16"-16 Fem Sw, Inc. 19
18	86514261	1	TEE, 13/16"-16 ORFS x 13/16"-16 Fem Sw Run, Inc. 19
19	9992298	4	O-RING, -014, 90 Duro, .489" ID x .070" Thk,
20	87335428	1	FITTING, Implement Coupler, 1/2"-14 nptf
20	87335430	1	FITTING, Implement Coupler, 3/4"-16 orb
20	87335431	1	FITTING, Implement Coupler, 7/8"-14 orb
	719517003	1	KIT, Motor Return / Power Beyond, Inc: 1 - 13, See Figure: 08-34



08-34 COUPLERS - POWER BEYOND

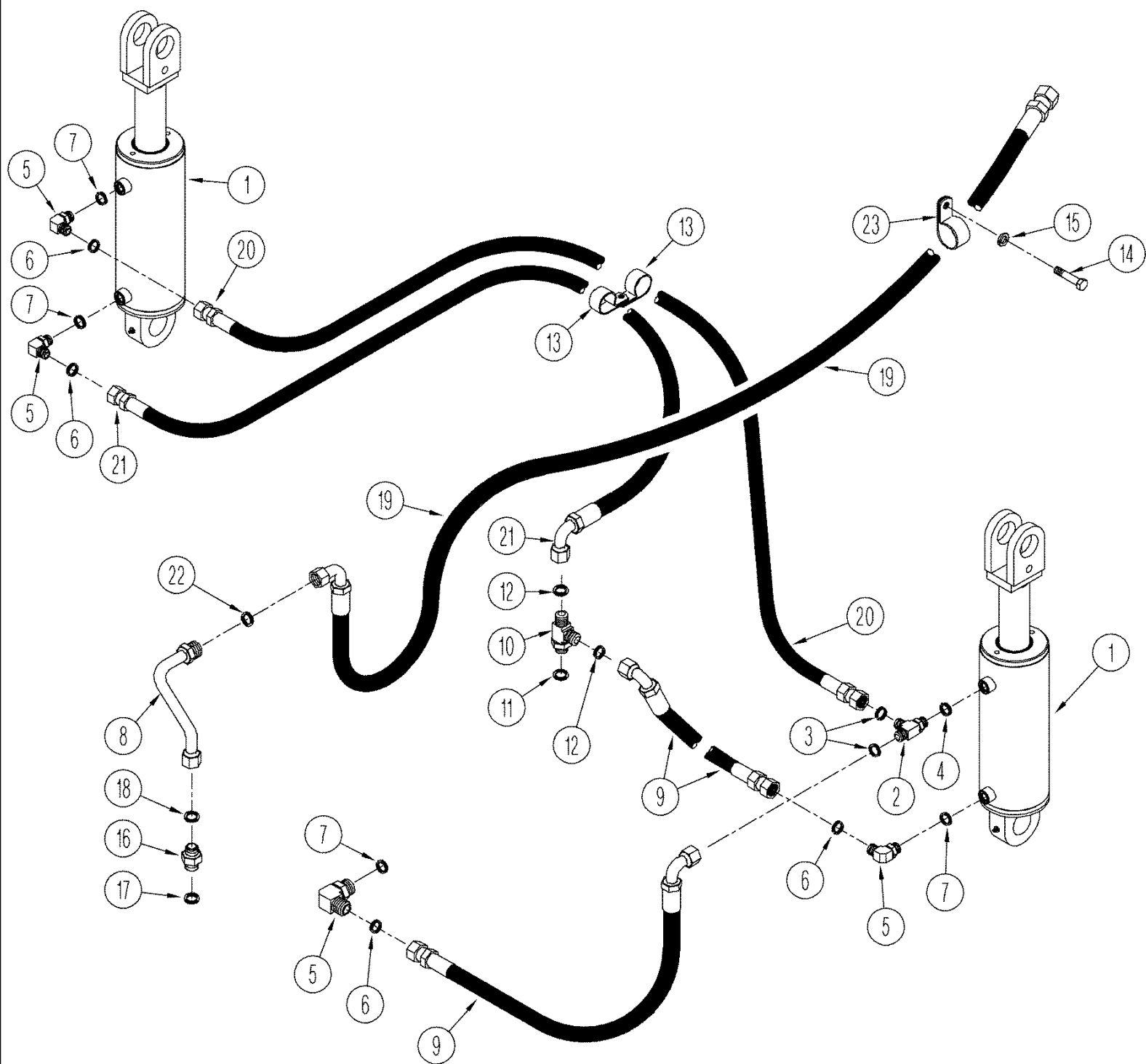
сылка	Номер детали	Кол-во	Описание
1	298291A1	2	BODY, Hydr., 3/4", Auxiliary
2	294603A1	1	BODY, Hydr., 1/4", Auxiliary
3	334218A1	1	CAP, Dust
4	334216A1	2	CAP, Dust
5	347755A1	2	COUPLING, Hydr., 3/4", Inc. 10, Not Illustrated
6	167266	2	O-RING, 12-1, 90 Duro, .924 ID x .116" Thk, Not Illustrated
7	347756A1	2	COUPLING, Hydr., 1/4", Inc. 8, Not Illustrated
6	167266	2	O-RING, 12-1, 90 Duro, .924 ID x .116" Thk, Not Illustrated
8	9617873	2	O-RING, 6-1, 90 Duro, .468" ID x .078" Thk,
9	385358A1	1	COUPLING, Hydr., 3/8", Case Drain, Not Illustrated
10	86598101	1	O-RING, CI 6, 15.3MM ID x 2.2 Thk,
11	86598103	2	O-RING, CI 6, 23.6MM ID x 2.9 Thk,
12	87335428	1	FITTING, Implement Coupler, 1/2"-14 nptf
12	87335430	1	FITTING, Implement Coupler, 3/4"-16 orb
12	87335431	1	FITTING, Implement Coupler, 7/8"-14 orb
	719517003	1	KIT, Motor Return / Power Beyond, Inc. 1 - 9, See Figure: 08-32



T9040 4WD TRACTOR, ASN (8/07-) - Hydraulic System

08-35 COUPLER MOUNTS - WITHOUT POWER TAKEOFF AND THREE POINT HITCH

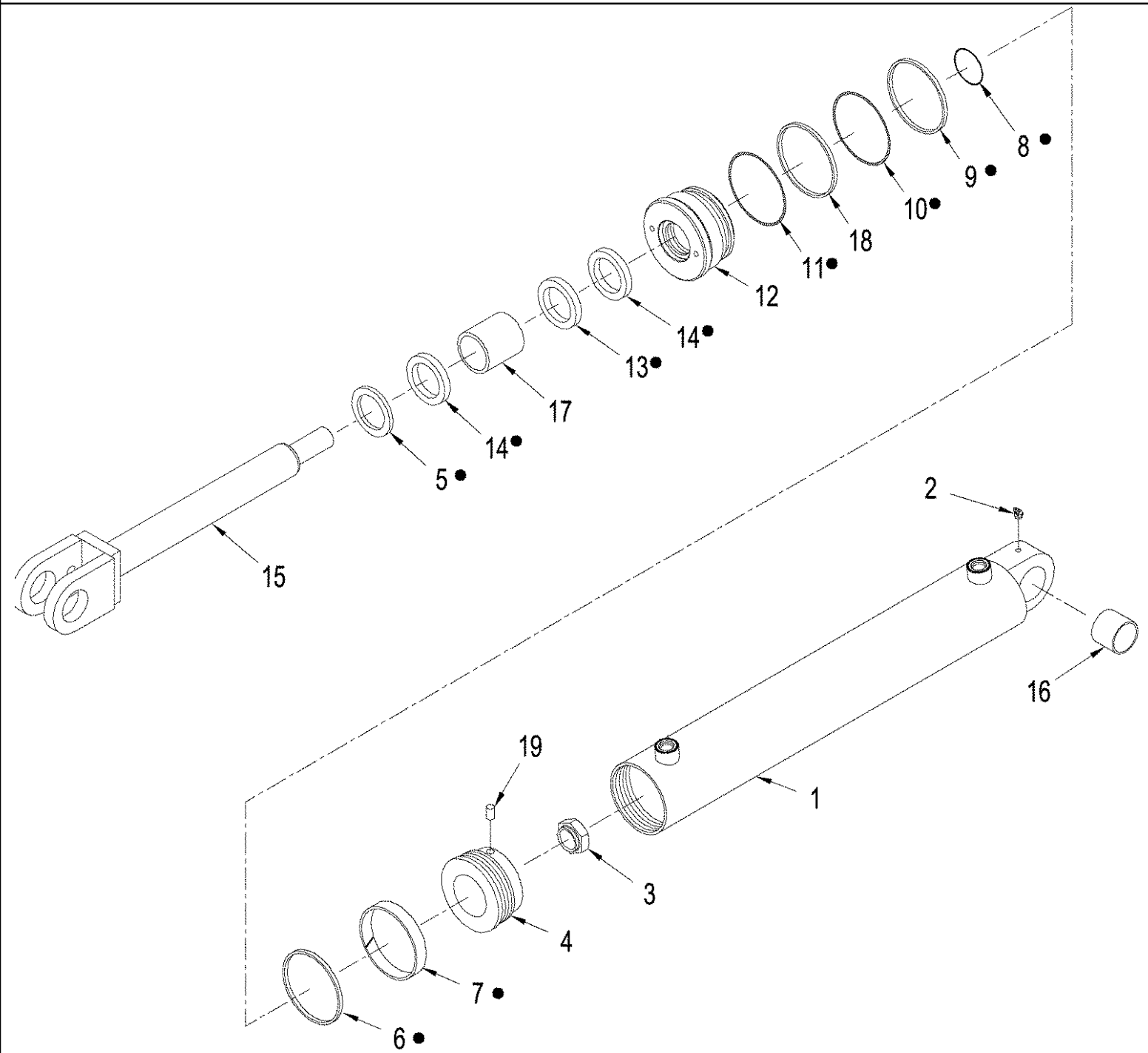
сылка	Номер детали	Кол-во	Описание
1	87311759	1	MOUNTING PARTS, Auxiliary Valve
2	86625260	4	WASHER, M20 x 37.5 x 4, HT,
3	9843612	4	BOLT, Hex, M20 x 100, 10.9,



08-36 THREE POINT HITCH HYDRAULICS - ELECTRONIC CONTROLLED HITCH SYSTEM

сылка	Номер детали	Кол-во	Описание
1	87304298	2	CYLINDER, See Figure: 08-37
2	86579702	1	TEE, 13/16"-16 ORFS x M18 x 1.5 ORB Run, Inc. 3, 4
3	9992298	2	O-RING, -014, 90 Duro, .489" ID x .070" Thk,
4	86639043	1	O-RING, 15,3 ID x 2,2
5	86579691	4	ELBOW, 90є, 13/16"-18 ORFS x M18 x 1.5 ORB, Inc. 6, 7
6	9992298	4	O-RING, -014, 90 Duro, .489" ID x .070" Thk,
7	86639043	4	O-RING, 15,3 ID x 2,2
8	403207A1	1	TUBE ASSY.,
9	360496A1	2	HOSE ASSY., Cylinder Supply, 505 mm (20 in)
10	86639058	1	TEE, 13/16"-16 ORFS x M22 x 1.5 ORB Run, Inc. 11, 12
11	86639044	1	O-RING, CI 6, 19.3MM ID x 2.2 Thk,
12	9992298	2	O-RING, -014, 90 Duro, .489" ID x .070" Thk, Pressure Line
13	86637979	4	CLAMP, 13/16", Insul, 3/8" Bolt, P-type
14	43232	1	SCREW,
15	86624184	5	WASHER, M8 x 16 x 1.6,
16	86579680	1	CONNECTOR, HYD., 1"-14 ORFS x M22 x 1.5 ORB, Inc. 17, 18
17	86639044	1	O-RING, CI 6, 19.3MM ID x 2.2 Thk,
18	9992069	1	O-RING, -016, 90 Duro, .614" ID x .070" Thk,
19	87427995	1	HOSE ASSY., Return, 3540 mm (139 in)
20	394732A1	1	HOSE ASSY., Return, 1410 mm (55-1/2 in)
21	394733A1	1	HOSE ASSY., Pressure Line, 1397 mm (55 in)
22	9992069	1	O-RING, -016, 90 Duro, .614" ID x .070" Thk,
23	D43839	1	CLAMP, 1-1/8" ID

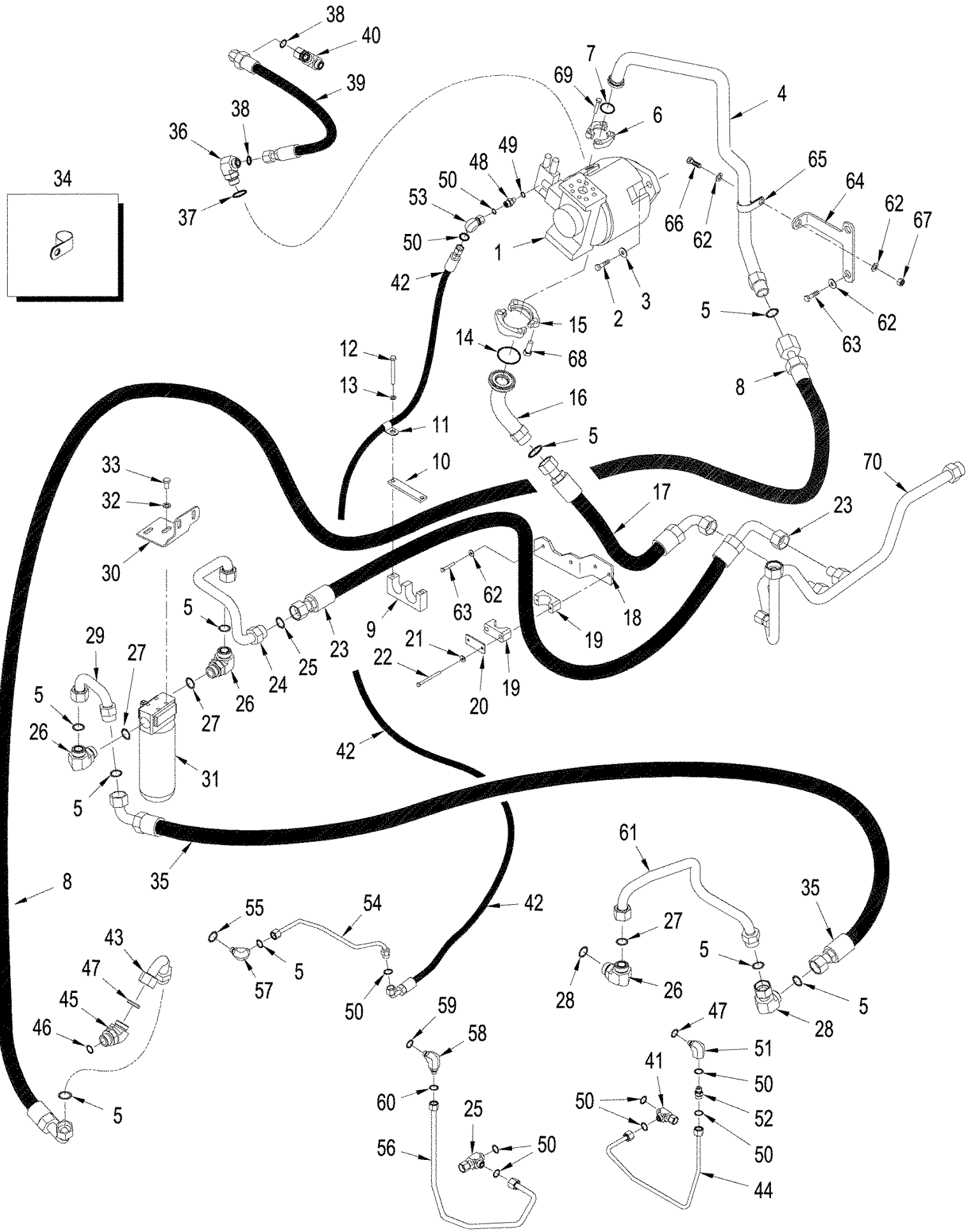
08-37 CYLINDER ASSY - THREE POINT HITCH



KIT KIT ● = 20

08-37 CYLINDER ASSY - THREE POINT HITCH

сылка	Номер детали	Кол-во	Описание
	87304295	1	CYLINDER, Three Point Hitch, Lift, Inc. 1 - 18
1	87378711	1	TUBE, Barrel
2	219-36	1	NIPPLE, LUBE, 45с, 1/8" NPT x 7/8" lg,
3	NSS	1	NOT SERVICED SEPARATELY, Nut, Lock, 1-1/4 NF
4	87378709	1	PISTON,
5	87378712	1	WASHER, Ring
6	NSS	1	NOT SERVICED SEPARATELY, Seal, Piston
7	NSS	2	NOT SERVICED SEPARATELY, Ring, Wear
8	NSS	1	NOT SERVICED SEPARATELY, O-Ring
9	NSS	1	NOT SERVICED SEPARATELY, Ring, Backup
10	NSS	1	NOT SERVICED SEPARATELY, O-Ring
11	NSS	1	NOT SERVICED SEPARATELY, O-Ring
12	87378710	1	COVER,
13	NSS	1	NOT SERVICED SEPARATELY, Seal
14	NSS	2	NOT SERVICED SEPARATELY, Wiper
15	87378708	1	ROD,
16	87378707	1	BUSHING,
17	NSS	1	NOT SERVICED SEPARATELY, Bearing, Wear
18	87378712	1	WASHER,
20	87378692	1	KIT, Seal, Inc. 5 - 11, 13, 14



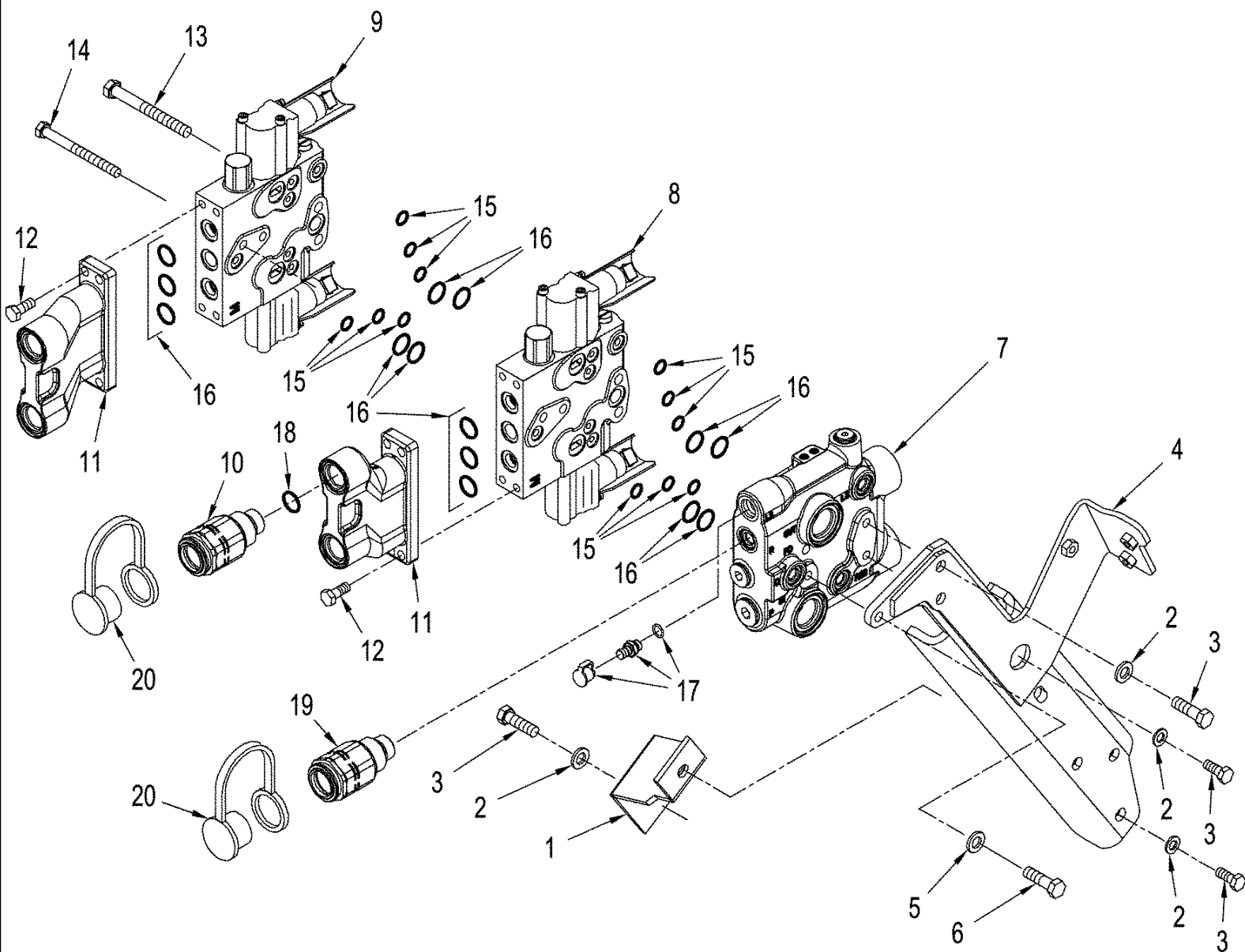
T9040 4WD TRACTOR, ASN (8/07-) - Hydraulic System

08-38 HYDRAULICS - MEGA FLOW CIRCUITRY

сылка	Номер детали	Кол-во	Описание
1	407476A1	1	PUMP, HYDRAULIC, Mega Flow, See Figure: 08-42
2	86900235	2	BOLT, Hex, M16 x 55, 10.9, Full Thd, , With Manual Shift Transmission
2	86508624	2	BOLT, Hex, M16 x 45, 10.9, , With Power Shift Transmission
3	86625266	2	WASHER, M17.5 x 30 x 4, HT,
4	87576188	1	TUBE, Pressure Pump
5	9824050	13	O-RING, -021, 90 Duro, .926" ID x .070" Thk,
6	A12306	2	FLANGE, Split, 1
7	86529541	1	O-RING, -219, 90 Duro, 1.296" ID x .139" Thk,
8	87615313	1	HOSE ASSY., 2942 mm (117")
9	414429A2	1	CLAMP BRACKET,
10	414856A1	1	PLATE, Hose Clamp
11	86639005	1	CLAMP, 5/8", Insul, 1/2" Bolt,
12	379748	2	BOLT, Hex, M8 x 80, 10.9,
13	86624184	2	WASHER, M8 x 16 x 1.6,
14	86637769	1	O-RING, -228, 90 Duro, 2.234" ID x .139" Thk,
15	A14141	2	FLANGE, Split, 2
16	414077A1	1	TUBE,
17	414196A1	1	HOSE, 825 mm (32")
18	433047A2	1	BRACKET, Mounting, Hose Clamp
19	429384A1	2	CLAMP,
20	429414A1	1	PLATE, COVER,
21	86624182	2	WASHER, M6 x 18 x 1.6,
22	43228	2	BOLT, Hex, M6 x 80, 10.9,
23	414464A1	1	HOSE, 1626 mm (64")
24	419661A1	1	TUBE,
26	86580180	3	ELBOW, 90e, 1 7/16"-12 ORFS x M33 x 2 ORB, Inc. 27, 28
25	86514261	1	TEE, 13/16"-16 ORFS x 13/16"-16 Fem Sw Run, Inc. 50
27	86639046	1	O-RING, CI 6, 29.6MM ID x 2.9 Thk,
28	84989413	1	ELBOW, 90e, 1 7/16"-12 ORFS x 1 7/16"-12 Fem Sw, Inc. 5
29	419655A1	1	TUBE,
30	87341623	1	BRACKET, Mounting, Mega Flow
31	414219A1	6	FILTER, Mega Flow Hydraulic Oil, See Figure: 08-42
32	86624176	4	WASHER, M10 x 20 x 2,
33	9861444	2	BOLT, Hex, M10 x 20, 10.9, Full Thd,
34	9827902	1	CLAMP, 1", Insul, 3/8" Bolt,
34	86639003	1	CLAMP, 3/8", Insul, 7/16" Bolt, 9.5 mm
35	414854A1	1	HOSE, 1956 mm (77 in)
36	86637669	1	ELBOW, 90e, 1"-14 x 1 1/16"-12, Adj, ORFS, Inc. 37, 38
37	167266	1	O-RING, 12-1, 90 Duro, .924 ID x .116" Thk,
38	9992069	2	O-RING, -016, 90 Duro, .614" ID x .070" Thk,
39	431461A1	1	HOSE ASSY., 737 mm (29 in)
40	86642450	1	TEE, 1"-14 ORFS x 1"-14 Fem Sw Run, Inc. 38
41	9843615	1	TEE, 11/16"-16 ORFS x 11/16"-16 Fem Sw Run, Inc. 50
42	414855A1	1	HOSE, 2870 mm (113 in)
43	429941A2	1	TUBE,

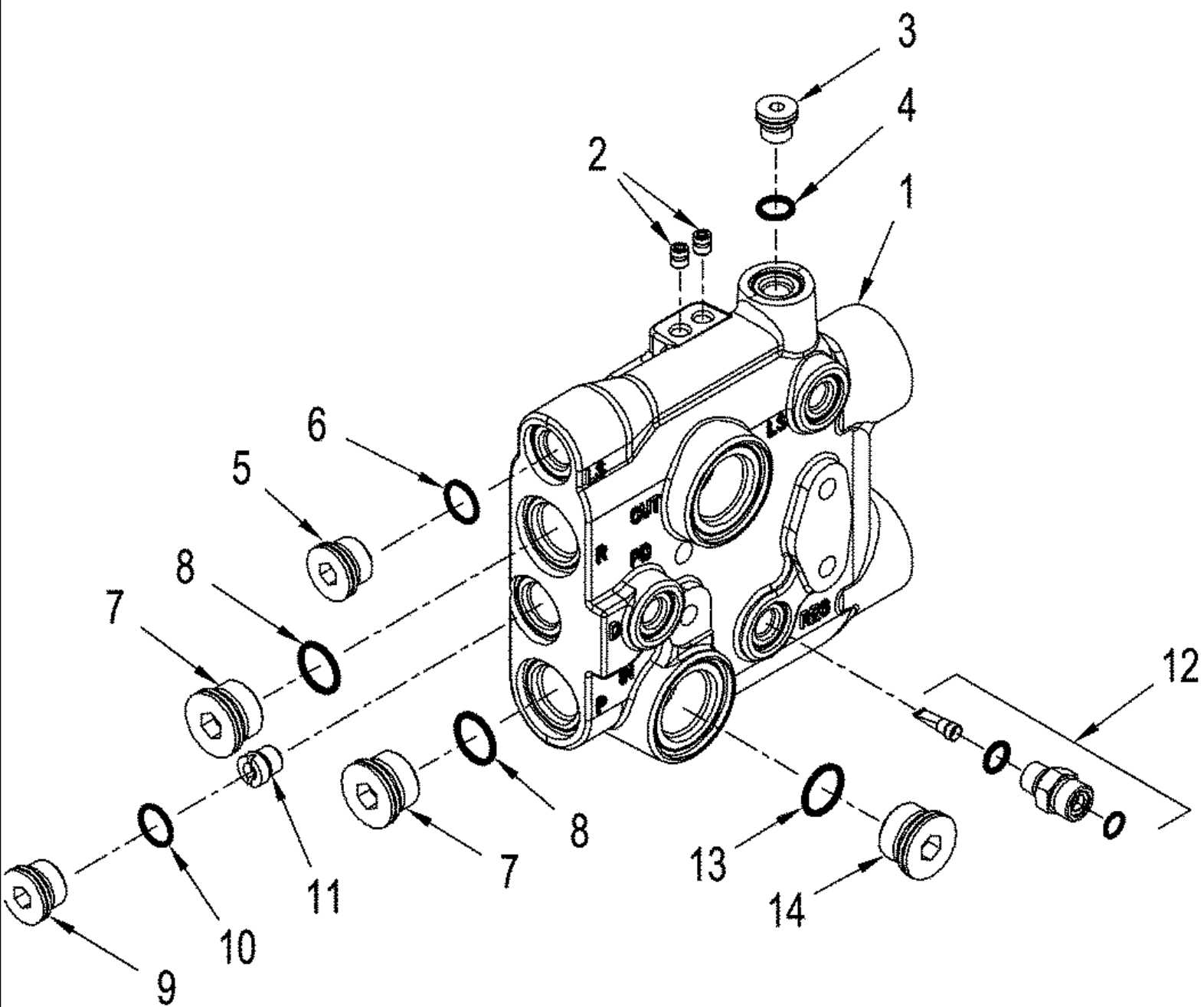
08-38 HYDRAULICS - MEGA FLOW CIRCUITRY

сылка	Номер детали	Кол-во	Описание
44	430536A1	1	TUBE,
45	86639054	1	ELBOW, 45е, 1 7/16"-12 ORFS x M33 x 2 ORB, Inc. 45, 46
46	86639046	1	O-RING, CI 6, 29.6MM ID x 2.9 Thk,
47	86639042	1	O-RING, CI 6, 11.3MM ID x 2.2 Thk,
48	1957867C1	1	SCREEN, FILTER, 1/4 orb x 3/8 fc sl, Inc. 49, 50
49	165202	1	O-RING, 4-1, 90 Duro, .351" ID x .072" Thk,
50	9993141	8	O-RING, -012, 90 Duro, .364" ID x .070" Thk,
51	428078A1	1	ELBOW, 90, M14 orb, Inc. 47
52	334923A1	1	SCREEN,
53	84989392	1	ELBOW, 90е, 11/16"-16 ORFS x 11/16"-16 Fem Sw, Inc. 50
54	429943A2	1	TUBE,
55	86639042	1	O-RING, CI 6, 11.3MM ID x 2.2 Thk,
56	445701A1	1	TUBE, HYD,
57	86579686	1	ELBOW, 90е, 11/16"-18 ORFS x M14 x 1.5 ORB, Inc. 5, 55
58	86579689	1	ELBOW, 90е, 13/16"-18 ORFS x M14 x 1.5 ORB, Inc. 59, 60
59	86639042	1	O-RING, CI 6, 11.3MM ID x 2.2 Thk,
60	9992298	1	O-RING, -014, 90 Duro, .489" ID x .070" Thk,
61	419684A1	1	TUBE,
62	896-11012	13	WASHER, M13.5 x 24.5 x 3, HT,
63	514-842	4	BOLT, Hex, M12 x 1.25 x 25, 8.8, Full Thd,
64	87576505	1	BRACKET, Support, Supply Tube
65	515-23254	2	CLAMP, 1", Insul, 3/8" Bolt,
66	627-8020	1	BOLT, Hex, M8 x 20, 10.9,
67	829-1408	1	NUT, M8, CI 10,
68	426-820	4	BOLT, Hex, 1/2"-13 x 1 1/4", G8, Full Thd,
69	426-620	4	BOLT,
70	418816A2	1	TUBE ASSY.,



08-39 MEGA FLOW HYDRAULICS - AUXILIARY REMOTE MOUNTING

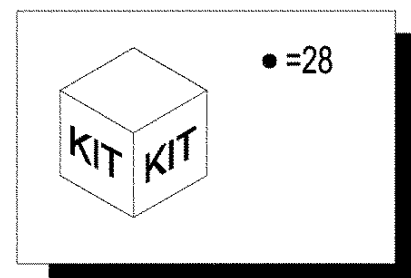
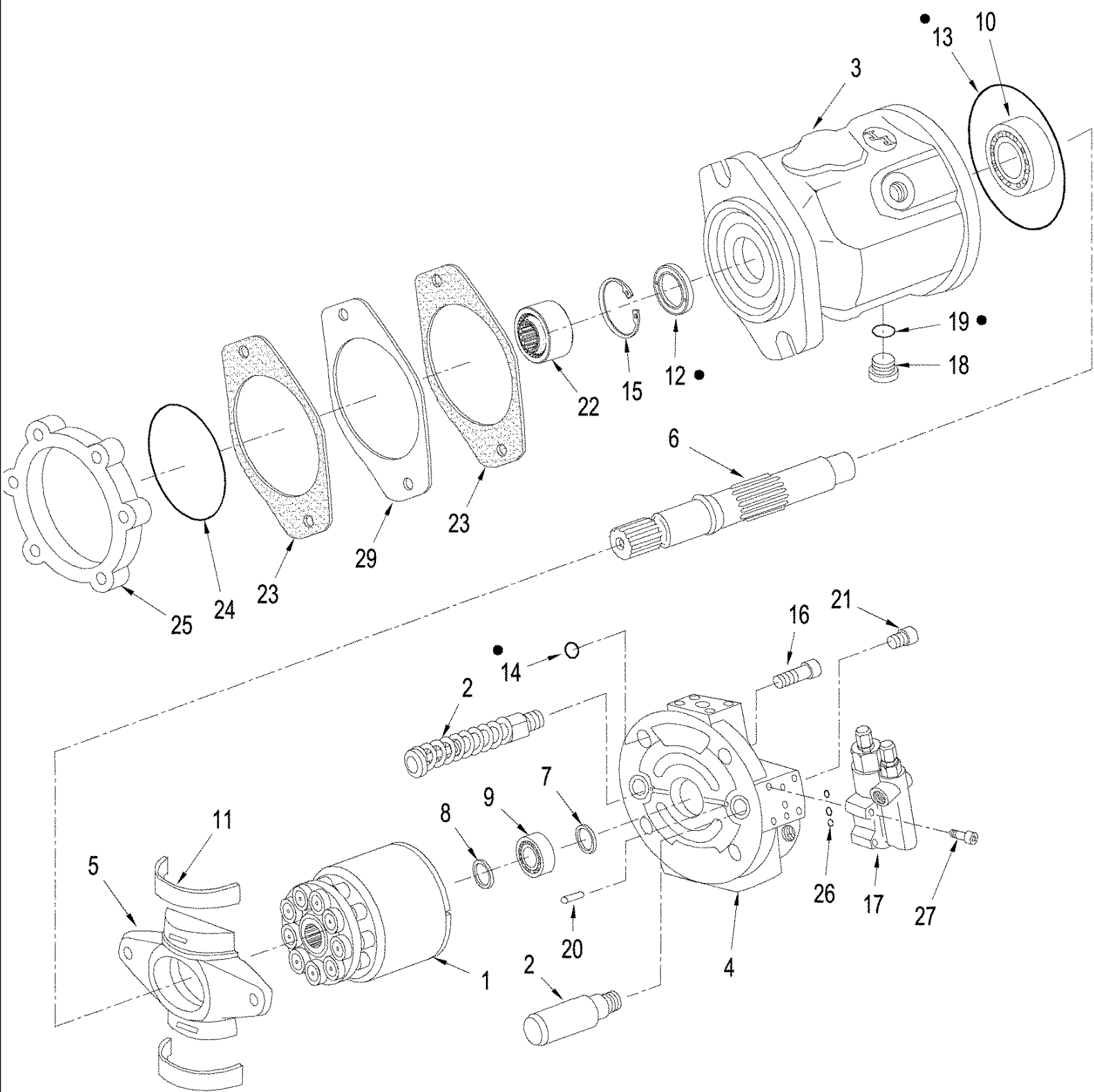
сылка	Номер детали	Кол-во	Описание
1	429731A1	1	GUSSET, Support
2	86625255	5	WASHER, M13.5 x 24.5 x 3, HT,
3	337563	5	BOLT, Hex, M12 x 40, 10.9, Full Thd,
4	429730A2	1	BRACKET, Mounting, Mega Flow Remote Auxiliary
5	86624176	1	WASHER, M10 x 20 x 2,
6	398792	1	BOLT, Hex, M12 x 25, 10.9,
	411978A4	1	VALVE, HYDRAULIC, Two Section, Inc. 7 - 16
7	418456A4	1	MANIFOLD, Inlet / Outlet, See Figure: 08-40
8	393973A2	1	VALVE, Auxilary, Right-Hand, See Figure: 08-31
9	292295A3	1	VALVE, Auxilary, Main, See Figure: 08-31
	418704A2	2	COUPLING, Inc. 10, 11
10	440646A1	2	COUPLING, BREAK AWAY,
11	418705A1	1	COUPLING,
12	9846677	8	BOLT, Hex, M10 x 25, 10.9, Full Thd,
13	9501756	2	BOLT, Hex, M12 x 110, 10.9,
14	86556139	1	BOLT, Hex, M10 x 110, 10.9,
15	272344	12	O-RING, -112, 90 Duro, .487" ID x .103" Thk,
16	277634	12	O-RING, -117, 90 Duro, .799" ID x .103" Thk,
17	358968A1	1	COUPLING, Diagnostic
18	86598103	2	O-RING, CI 6, 23.6MM ID x 2.9 Thk,
19	298291A1	1	BODY, Coupler, Auxiliary, 3/4"
20	334216A1	5	CAP, Dust



08-40 MEGA FLOW HYDRAULIC MANFOLD ASSY

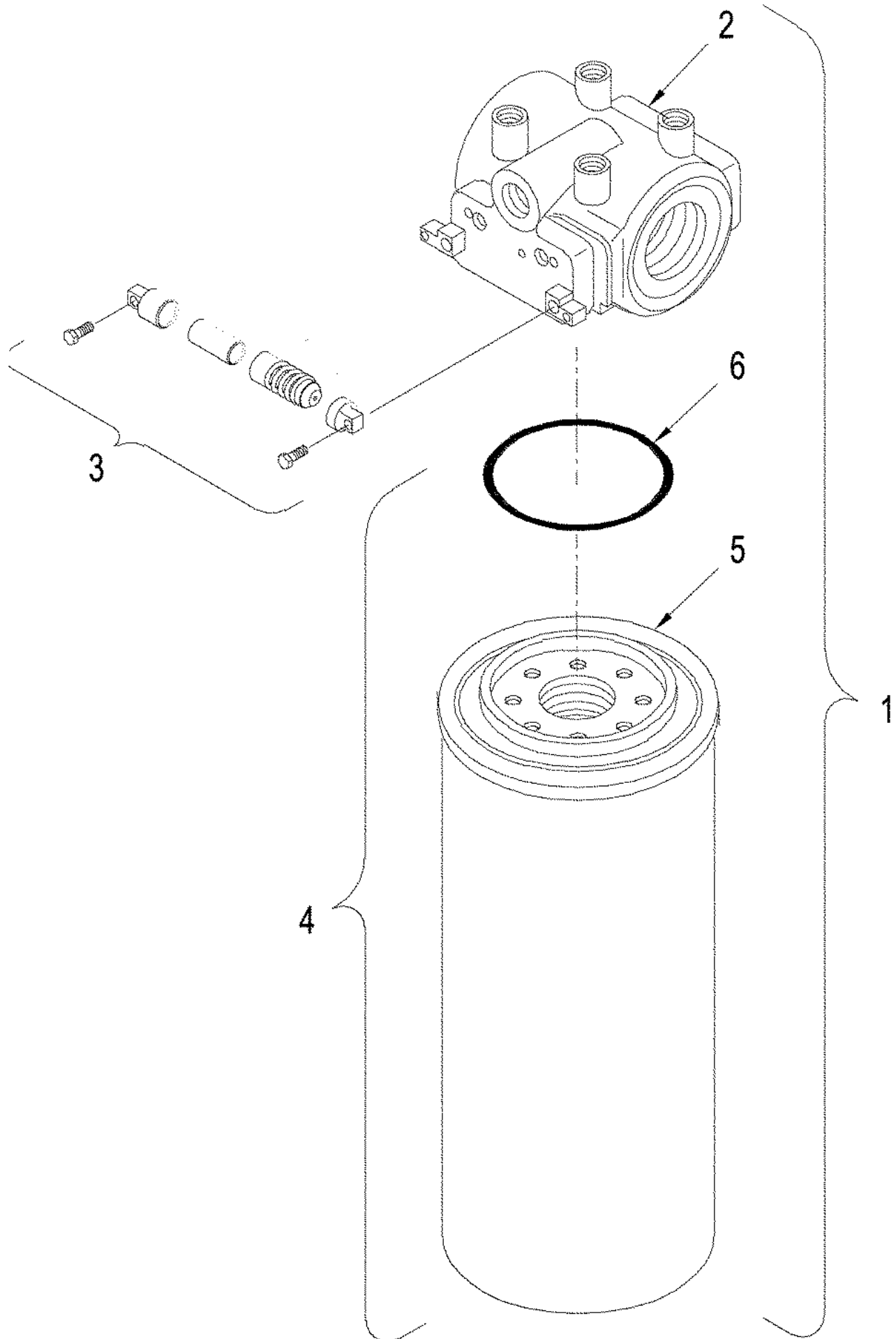
сылка	Номер детали	Кол-во	Описание
	418456A4	1	MANIFOLD, Inlet / Outlet, Inc. 1 - 13
1	NSS	1	NOT SERVICED SEPARATELY, Body
2	353828A1	2	PLUG, Expansion
3	221576A1	1	PLUG, Hex Soc, M14 x 1.5, ORB, Inc. 4
4	86639042	1	O-RING, CI 6, 11.3MM ID x 2.2 Thk,
5	221578A1	1	PLUG, Hex Soc, M18 x 1.5, ORB, Inc. 6
6	86639043	1	O-RING, 15,3 ID x 2,2
7	221580A1	2	PLUG, Hex Soc, M27 x 2, ORB, Inc. 8
8	86639045	1	O-RING, CI 6, 23.6MM ID x 2.9 Thk,
9	221579A1	1	PLUG, Hex Soc, M22 x 1.5, ORB, Inc. 10
10	86639044	1	O-RING, CI 6, 19.3MM ID x 2.2 Thk,
11	431479A1	1	VALVE, CHECK,
12	334923A1	1	SCREEN,
13	86639046	1	O-RING, CI 6, 29.6MM ID x 2.9 Thk,
14	221527A1	2	PLUG, Hex Soc, M33 x 2, ORB, Inc. 14

08-41 MEGA FLOW HYDRAULIC PUMP ASSY



08-41 MEGA FLOW HYDRAULIC PUMP ASSY

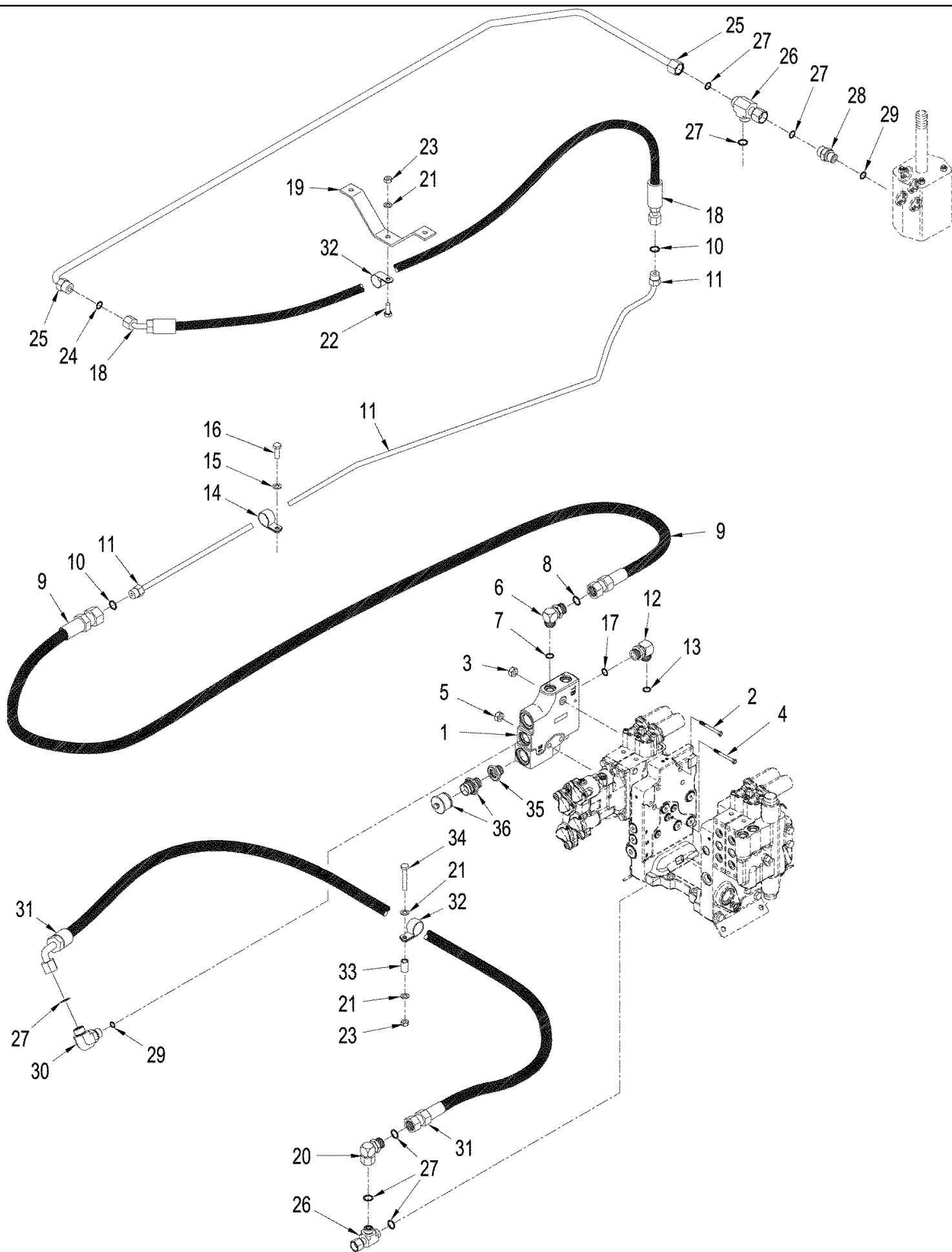
сылка	Номер детали	Кол-во	Описание
	407476A1	1	PUMP, HYDRAULIC, Mega Flow, Inc. 1 - 22
1	NSS	1	NOT SERVICED SEPARATELY, Cylinder Assy
2	NSS	1	NOT SERVICED SEPARATELY, Piston Assy, Control
3	NSS	1	NOT SERVICED SEPARATELY, Housing
4	NSS	1	NOT SERVICED SEPARATELY, Block
5	NSS	1	NOT SERVICED SEPARATELY, Plate, Swash
6	NSS	1	NOT SERVICED SEPARATELY, Shaft
7	NSS	1	NOT SERVICED SEPARATELY, Washer
8	NSS	1	NOT SERVICED SEPARATELY, Spacer
9	NSS	1	NOT SERVICED SEPARATELY, Bearing, Roller
10	NSS	1	NOT SERVICED SEPARATELY, Bearing, Roller
11	NSS	2	NOT SERVICED SEPARATELY, Support
12	NSS	1	NOT SERVICED SEPARATELY, Seal
13	NSS	1	NOT SERVICED SEPARATELY, O-Ring
14	NSS	4	NOT SERVICED SEPARATELY, O-Ring
15	NSS	1	NOT SERVICED SEPARATELY, Ring, Snap
16	NSS	4	NOT SERVICED SEPARATELY, Screw
17	352875A2	1	VALVE, CONTROL,
18	NSS	1	NOT SERVICED SEPARATELY, Plug
19	NSS	1	NOT SERVICED SEPARATELY, O-Ring
20	NSS	1	NOT SERVICED SEPARATELY, Pin
21	NSS	2	NOT SERVICED SEPARATELY, Screw
22	430337A1	1	COUPLING, , With Manual Shift Transmission
22	432675A1	1	COUPLING, , With Power Shift Transmission
23	D53692	2	GASKET, , With Power Shift Transmission
24	86012300	1	O-RING, -256, 70 Duro, 5.734" ID x .139" Thk, , With Manual Shift Transmission
25	414192A1	1	FLANGE, Adapter, With Manual Shift Transmission
26	410995A1	3	O-RING, Control Valve
27	412596A1	4	SCREW,
28	388293A1	1	KIT, SEALS,
29	86991869	1	SPACER, , With Power Shift Transmission



T9040 4WD TRACTOR, ASN (8/07-) - Hydraulic System

08-42 OIL FILTER - MEGA FLOW HYDRAULICS

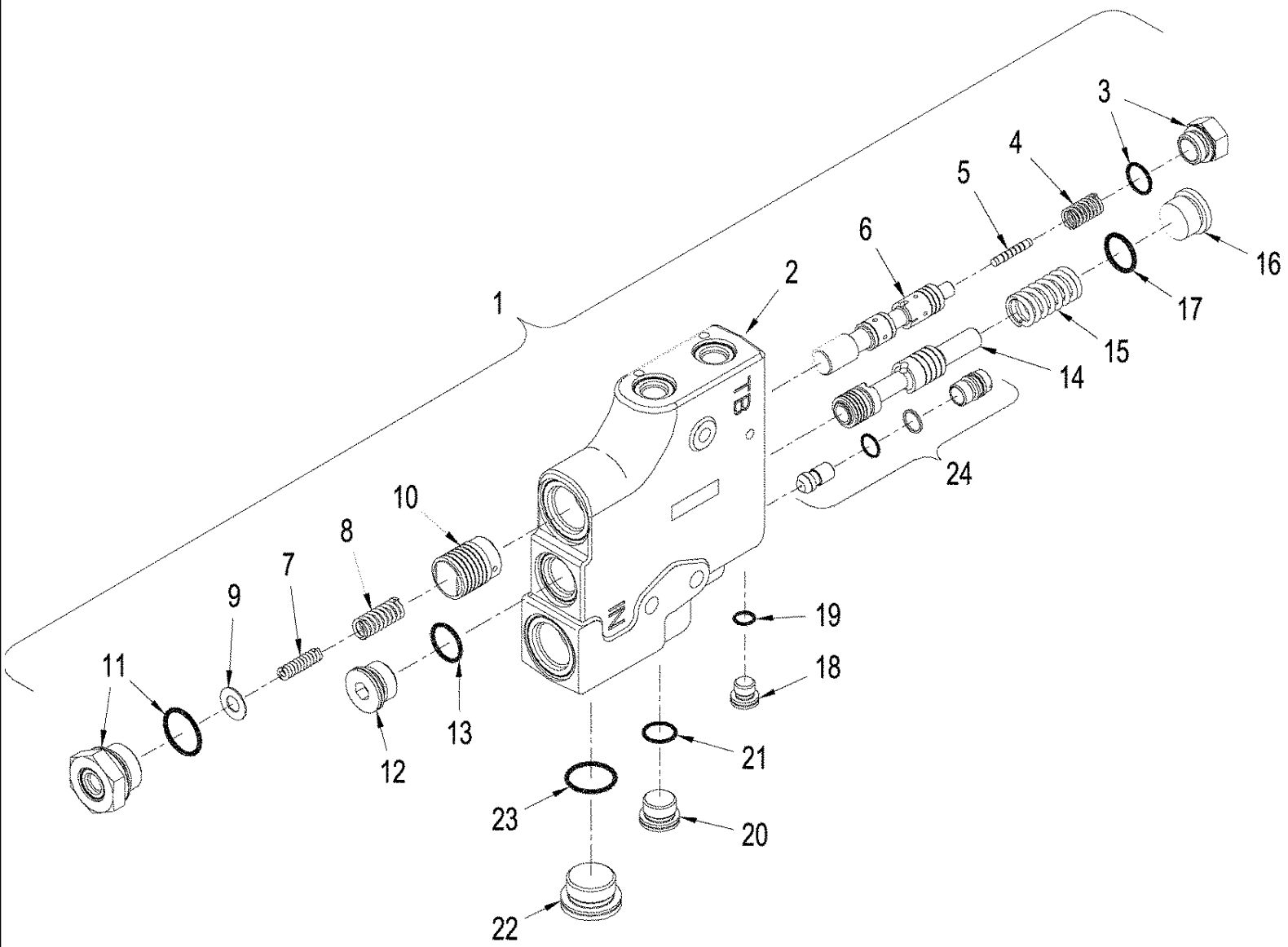
сылка	Номер детали	Кол-во	Описание
1	414219A1	1	FILTER, Mega Flow Hydraulics, Inc. 2 - 6
2	NSS	1	NOT SERVICED SEPARATELY, Head
3	440086A1	1	INDICATOR, Restriction
4	86989735	1	FILTER, HYDRAULIC OIL, Inc. 5 - 6
5	NSS	1	NOT SERVICED SEPARATELY, Element
6	NSS	1	NOT SERVICED SEPARATELY, O-Ring



T9040 4WD TRACTOR, ASN (8/07-) - Hydraulic System

08-46 TRAILER BRAKES - HYDRAULIC

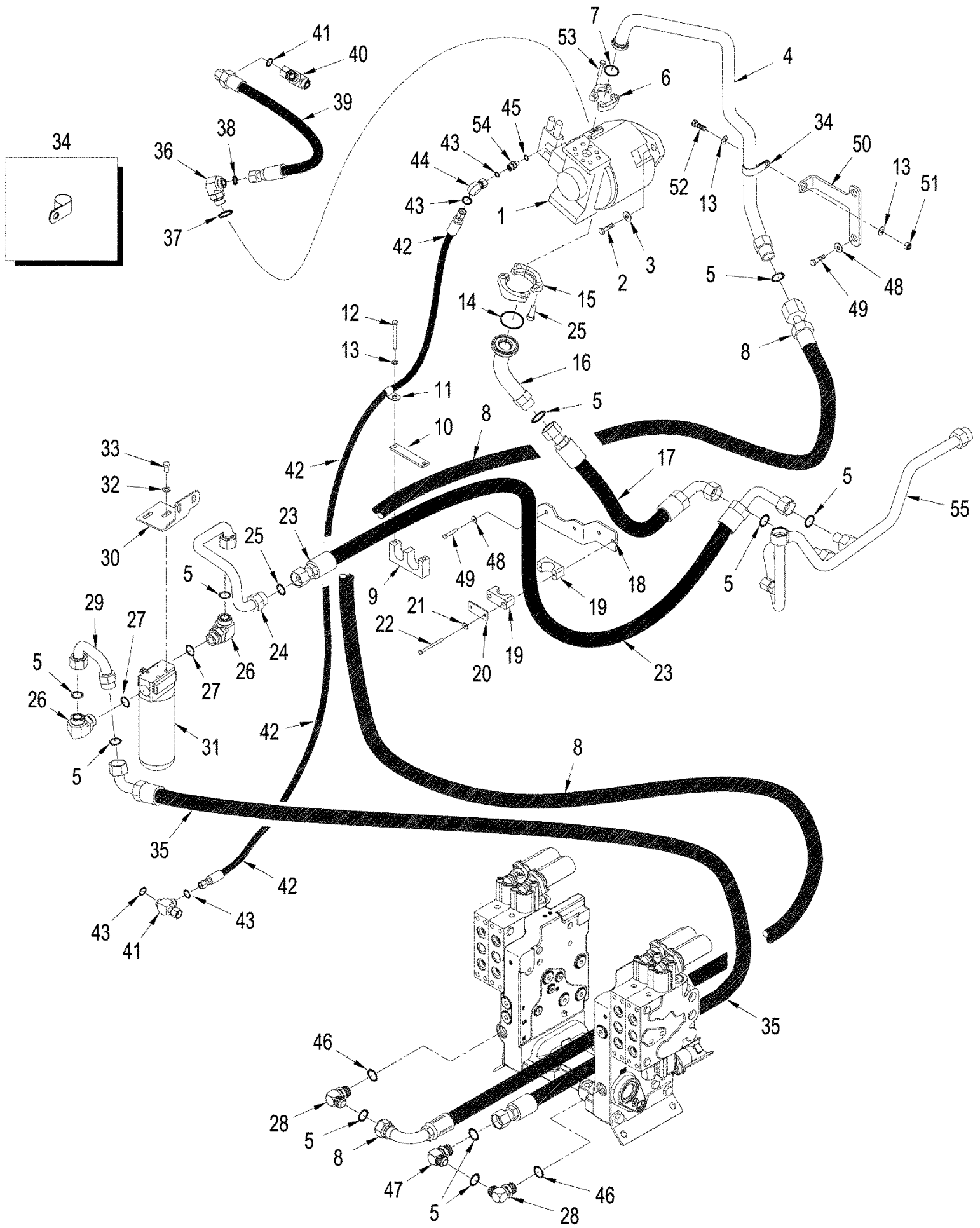
сылка	Номер детали	Кол-во	Описание
1	87388358	1	VALVE SECTION, Trailer Brake / Priority, See Figure: 08-47
2	87418098	1	STUD, Tie, Rod
3	304951A1	1	NUT,
4	87430079	2	STUD, Tie, Rod
5	829-1312	2	NUT, M12 x 1.75, CI 10,
6	700-304	1	ELBOW, 90є, 11/16"-18 ORFS x M14 x 1.5 ORB, Incl. 7 & 8
7	637-63113	1	O-RING, CI 6, 11.3MM ID x 2.2 Thk,
8	238-6012	1	O-RING, -012, 90 Duro, .364" ID x .070" Thk,
9	87346096	1	HOSE ASSY., 546 mm (21-1/2")
10	238-6012	2	O-RING, -012, 90 Duro, .364" ID x .070" Thk,
11	87342885	1	TUBE, HYD, Trailer Brake, RF
12	700-318	1	ELBOW, 45є, 1 7/16"-12 ORFS x M33 x 2 ORB, Inc. 13 & 17
13	637-64296	1	O-RING, CI 6, 29.6MM ID x 2.9 Thk,
14	515-2495	3	CLAMP, 3/8", Insul, 7/16" Bolt,
15	895-18010	4	WASHER, M10 x 18 x 1.6,
16	627-10020	3	BOLT, Hex, M10 x 20, 10.9, Full Thd,
17	238-6021	1	O-RING, -021, 90 Duro, .926" ID x .070" Thk,
18	87346094	1	HOSE ASSY., 948 mm (37")
19	87384904	1	BRACKET,
20	701-320	1	ELBOW, 90є, 13/16"-16 ORFS x 13/16"-16 Fem Sw,
21	895-11008	12	WASHER, M8 x 16 x 1.6,
22	627-8020	3	BOLT, Hex, M8 x 20, 10.9,
23	829-1408	7	NUT, M8, CI 10,
24	238-6014	1	O-RING, -014, 90 Duro, .489" ID x .070" Thk,
25	87342347	1	TUBE, HYD,
26	701-416	2	TEE, 13/16"-16 ORFS x 13/16"-16 Fem Sw Run, Inc. 27
27	238-6014	3	O-RING, -014, 90 Duro, .489" ID x .070" Thk,
28	700-102	1	CONNECTOR, HYD., 13/16"-16 ORFS x M18 x 1.5 ORB, Inc. 27 & 29
29	637-63153	1	O-RING, CI 6, 15.3MM ID x 2.2 Thk,
30	700-305	1	ELBOW, 90є, 13/16"-18 ORFS x M18 x 1.5 ORB,
31	87367884	1	HOSE ASSY., 1371 mm (54")
32	515-23206	3	CLAMP, 13/16", Insul, 3/8" Bolt,
33	414937A1	2	SPACER,
34	827-8050	2	BOLT, Hex, M8 x 50, 10.9,
35	87371306	1	COUPLING, QUICK, FEMALE, Quick Connect
36	737606R1	1	COUPLING, QUICK, MALE,



T9040 4WD TRACTOR, ASN (8/07-) - Hydraulic System

08-47 TRAILER BREAK, VALVE ASSY.

сылка	Номер детали	Кол-во	Описание
1	87388358	1	VALVE SECTION, Trailer Brake, Inc. 2 - 24
2	NSS	1	NOT SERVICED SEPARATELY, Housing
3	87324557	1	PLUG, STOP,
4	87444752	1	BRAKE SPRING, Return
5	86988723	1	SPOOL, Inner
6	87324553	1	SPOOL, Trailer Brake
7	87444751	1	BRAKE SPRING, Feathering Inner
8	87444750	1	BRAKE SPRING, Feathering Outer
9	NSS	AR	NOT SERVICED SEPARATELY, Shim
10	86988724	1	PISTON, Priority / Trailer Brake
11	87454597	1	PLUG,
12	221580A1	1	PLUG, Hex Soc, M27 x 2, ORB, Inc. 13
13	637-64236	1	O-RING, CI 6, 23.6MM ID x 2.9 Thk,
14	NSS	1	NOT SERVICED SEPARATELY, Spool
15	408447A1	1	SPRING, COMPRESSION,
16	218-5212	1	PLUG, Hex Soc, 1 1/16"-12 ORB, Inc. 17
17	237-6012	1	O-RING, 12-1, 90 Duro, .924 ID x .118" Thk,
18	221576A1	1	PLUG, Hex Soc, M14 x 1.5, ORB, Inc. 19
19	637-63113	1	O-RING, CI 6, 11.3MM ID x 2.2 Thk,
20	221579A1	1	PLUG, Hex Soc, M22 x 1.5, ORB, Inc. 21
21	637-63193	1	O-RING, CI 6, 19.3MM ID x 2.2 Thk,
22	221527A1	1	PLUG, Hex Soc, M33 x 2, ORB, Inc. 23
23	637-64296	1	O-RING, CI 6, 29.6MM ID x 2.9 Thk,
24	1542563C1	1	VALVE, CHECK, Logic



T9040 4WD TRACTOR, ASN (8/07-) - Hydraulic System

08-48 HYDRAULICS - PARALLEL FLOW CIRCUITRY

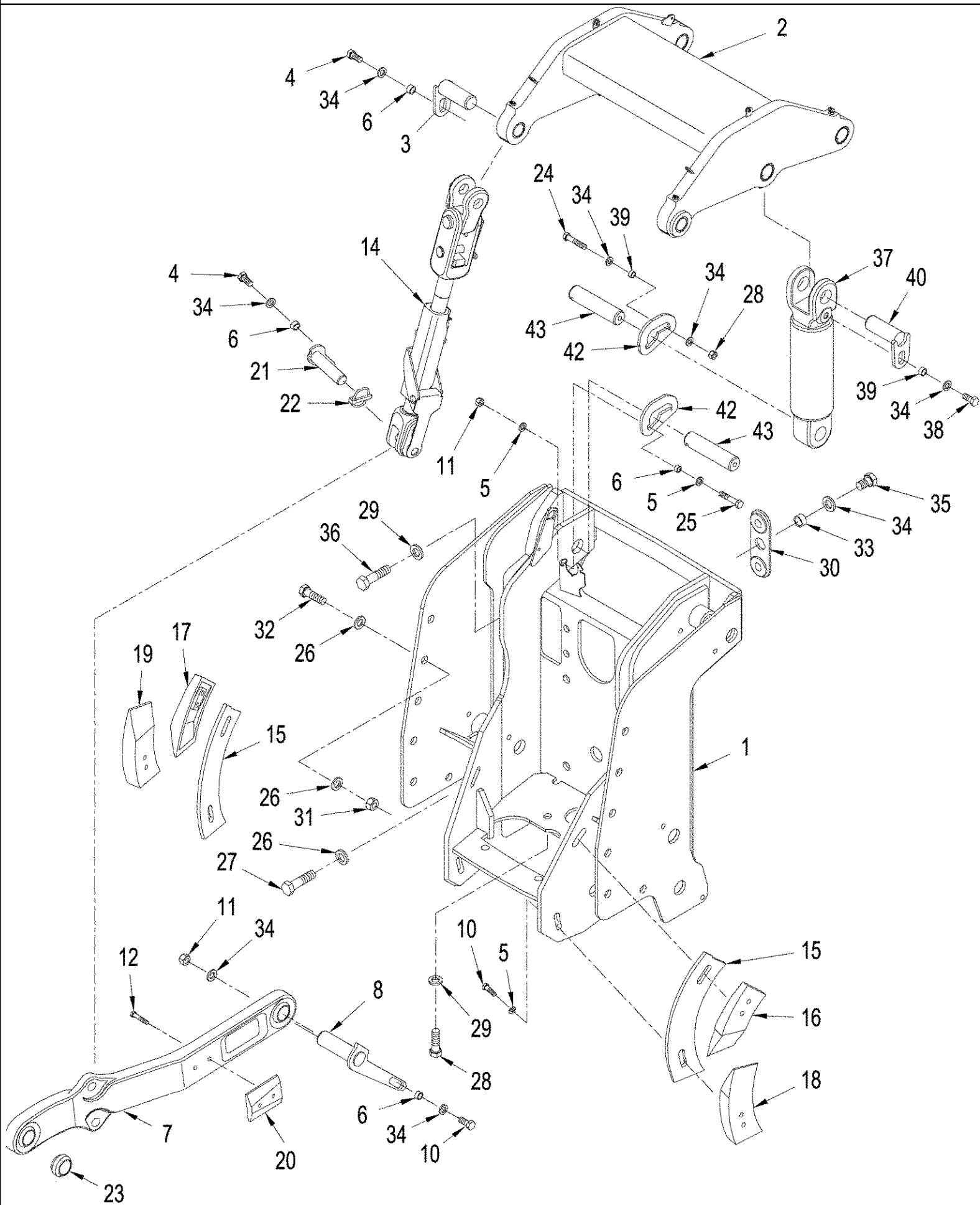
сылка	Номер детали	Кол-во	Описание
1	407476A1	1	PUMP, HYDRAULIC, Implement, See Figure: 08-41
2	86900235	2	BOLT, Hex, M16 x 55, 10.9, Full Thd, , With Manual Shift Transmission
2	86508624	2	BOLT, Hex, M16 x 45, 10.9, , With Power Shift Transmission
3	86625266	2	WASHER, M17.5 x 30 x 4, HT,
4	87576188	1	TUBE, Pressure Pump
5	9824050	13	O-RING, -021, 90 Duro, .926" ID x .070" Thk,
6	A12306	2	FLANGE, Split, 1
7	86529541	1	O-RING, -219, 90 Duro, 1.296" ID x .139" Thk,
8	87381559	1	HOSE, 3323 mm (131")
9	87578492	1	CLAMP, HOSE,
10	414856A1	1	PLATE, Hose Clamp
11	86639005	1	CLAMP, 5/8", Insul, 1/2" Bolt,
12	379748	2	BOLT, Hex, M8 x 80, 10.9,
13	86624184	2	WASHER, M8 x 16 x 1.6,
14	86637769	1	O-RING, -228, 90 Duro, 2.234" ID x .139" Thk,
15	A14141	2	FLANGE, Split, 2
16	414077A1	1	TUBE,
17	414196A1	1	HOSE, 825 mm (32")
18	433047A2	1	BRACKET, Mounting, Hose Clamp
19	429384A1	2	CLAMP,
20	429414A1	1	PLATE, COVER,
21	86624182	2	WASHER, M6 x 18 x 1.6,
22	43228	2	BOLT, Hex, M6 x 80, 10.9,
23	414464A1	1	HOSE, 1626 mm (64 in)
24	419661A1	1	TUBE,
26	86580180	2	ELBOW, 90e, 1 7/16"-12 ORFS x M33 x 2 ORB, Inc. 27, 28
27	86639046	1	O-RING, CI 6, 29.6MM ID x 2.9 Thk,
28	700-313	2	ELBOW, 90e, 1 7/16"-12 ORFS x M27 x 2 ORB, Inc. 5 & 46
29	419655A1	1	TUBE,
30	87341623	1	BRACKET, Mounting, Parallel Flow Hydraulic Filter
31	414219A1	6	FILTER, Parallel Flow Hydraulic Oil, See Figure: 08-42
32	86624176	2	WASHER, M10 x 20 x 2,
33	9861444	2	BOLT, Hex, M10 x 20, 10.9, Full Thd,
34	515-25254	1	CLAMP, 1", Insul, 1/2" Bolt,
35	87381560	1	HOSE, 2383 mm (94")
36	86637669	1	ELBOW, 90e, 1"-14 x 1 1/16"-12, Adj, ORFS, Inc. 37, 38
37	167266	1	O-RING, 12-1, 90 Duro, .924 ID x .116" Thk,
38	9992069	2	O-RING, -016, 90 Duro, .614" ID x .070" Thk,
39	431461A1	1	HOSE ASSY., 737 mm (29")
40	86642450	1	TEE, 1"-14 ORFS x 1"-14 Fem Sw Run, Inc. 38
41	9843615	1	TEE, 11/16"-16 ORFS x 11/16"-16 Fem Sw Run, Inc. 43
42	87572954	1	HOSE, 3138 mm (123-1/2")
43	9993141	8	O-RING, -012, 90 Duro, .364" ID x .070" Thk,
44	701-319	1	ELBOW, 90e, 11/16"-16 ORFS x 11/16"-16 Fem Sw,
45	237-6004	1	O-RING, 4-1, 90 Duro, .351" ID x .072" Thk,

T9040 4WD TRACTOR, ASN (8/07-) - Hydraulic System

08-48 HYDRAULICS - PARALLEL FLOW CIRCUITRY

сылка	Номер детали	Кол-во	Описание
46	637-64236	2	O-RING, CI 6, 23.6MM ID x 2.9 Thk,
47	701-339	1	ELBOW, 90€, 1 7/16"-12 ORFS x 1 7/16"-12 Fem Sw, Inc. 5
48	896-11012	4	WASHER, M13.5 x 24.5 x 3, HT,
49	514-842	4	BOLT, Hex, M12 x 1.25 x 25, 8.8, Full Thd,
50	87576505	1	BRACKET, Support
51	829-1408	1	NUT, M8, CI 10,
52	627-8020	1	BOLT, Hex, M8 x 20, 10.9,
53	426-620	4	BOLT,
54	1957867C1	1	SCREEN, FILTER, 1/4" orb x 3/8" fc sl, Inc. 49, 50
55	418816A2	1	TUBE ASSY.,

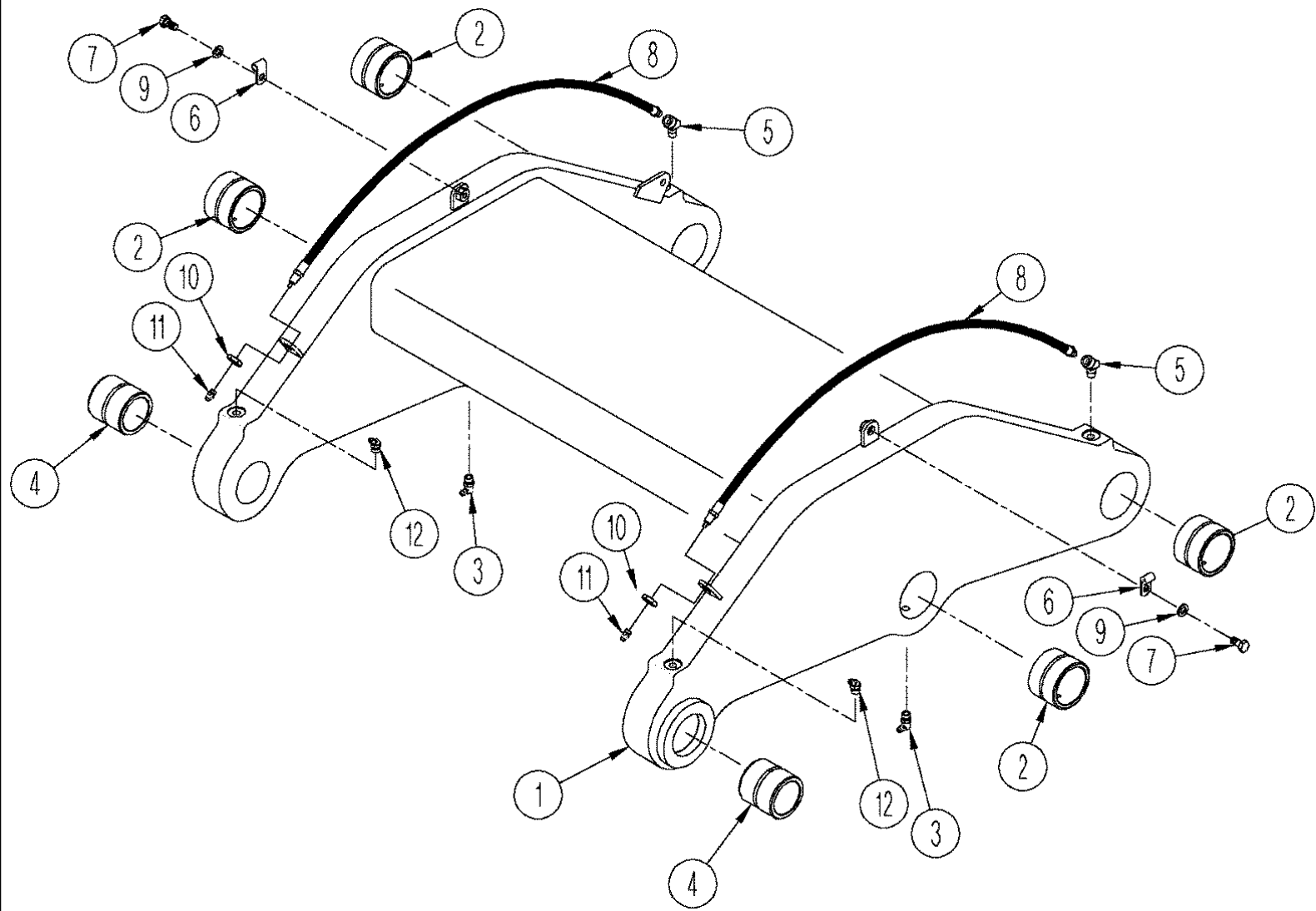
09-01 THREE POINT HITCH



09-01 THREE POINT HITCH

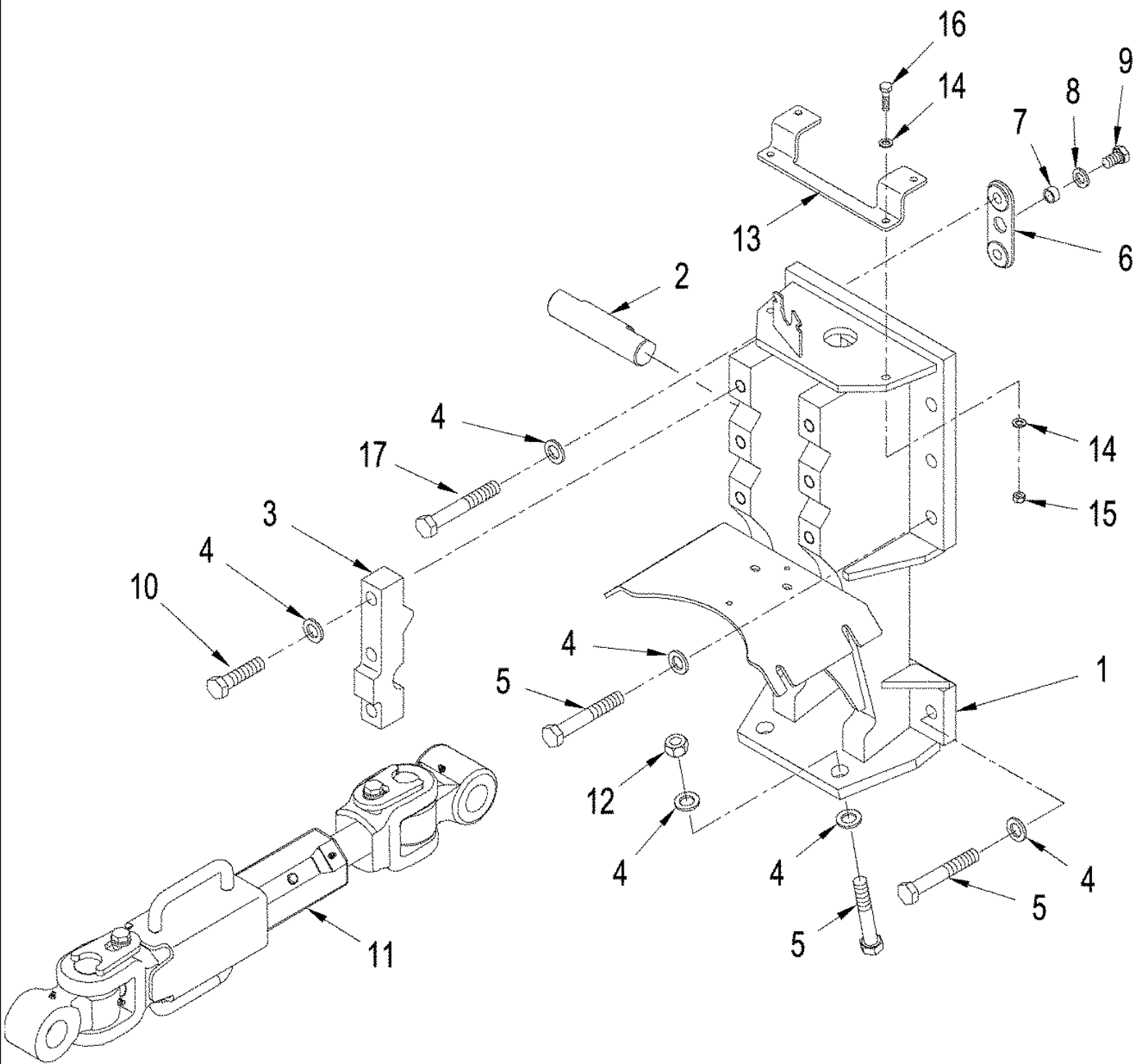
сылка	Номер детали	Кол-во	Описание
1	87323023	1	MOUNTING PARTS, TPH
2	403743A1	1	ROCKSHAFT, See Figure: 09-02
3	435504A1	4	PIN,
4	86529976	4	BOLT, Hex, M16 x 35, 10.9,
5	896-15016	8	WASHER, M17.5 x 34 x 5, HT,
6	435501A1	8	SPACER,
7	403717A1	2	ARM, Draft
8	347641A1	1	PIN, RH
9	348061A1	1	PIN, LH, Not Illustrated
10	86639033	10	BOLT, Hex, M16 x 60, 10.9, Full Thd,
11	392530	4	NUT, M16, CI 10,
12	86624980	4	BOLT, Hex, M12 x 65, 10.9,
13	NSS	1	NOT SERVICED SEPARATELY, Link Assy, Lift, RH, Not Illustrated, Order Component Parts, See Figure: 09-06
14	NSS	1	NOT SERVICED SEPARATELY, Link Assy, Lift, LH, Order Component Parts, See Figure: 09-06
15	87544143	2	PLATE, MOUNTING,
16	403744A1	1	BLOCK ASSY., No Sway, RH Upper
17	403745A1	1	BLOCK ASSY., No Sway, LH Upper
18	87544144	1	BLOCK, No Sway, RH Lower
19	87544145	1	BLOCK, No Sway, LH Lower
20	403748A1	2	BLOCK ASSY., Wear
21	322096A1	2	PIN,
22	A30338	2	PIN, Klik
23	403204A1	2	PLATE,
24	9828248	2	BOLT, Hex, M16 x 60, 10.9,
25	86577946	2	BOLT, Hex, M16 x 80, 10.9,
26	86639319	28	WASHER, 26 x 44 x 5 mm
27	9780064	4	BOLT, Hex, M24 x 110, 10.9,
28	392530	2	NUT, M16, CI 10,
29	86625260	6	WASHER, M20 x 37.5 x 4, HT,
30	259389A1	2	PLATE, Retaining
31	9848973	12	NUT, M24, CI 10,
32	86639036	12	BOLT, Hex, M24 x 60, 10.9, Full Thd,
33	70-5967T1	2	SPACER,
34	86625266	2	WASHER, M17.5 x 30 x 4, HT,
35	86639032	2	BOLT, Hex, M16 x 25, 10.9, Full Thd,
36	9843590	4	BOLT, Hex, M20 x 50, 10.9,
37	87304295	2	CYLINDER, Lift, See Figure(s) : 08-36
38	86529976	2	BOLT, Hex, M16 x 35, 10.9,
39	435501A1	4	SPACER,
40	70-5973T2	2	PIN,
41	86625266	6	WASHER, M17.5 x 30 x 4, HT,
42	403204A1	2	PLATE, Pin Retaining
43	321188A2	2	PIN,
44	896-11016	12	WASHER, M17.5 x 30 x 4, HT,

09-02 ROCKSHAFT



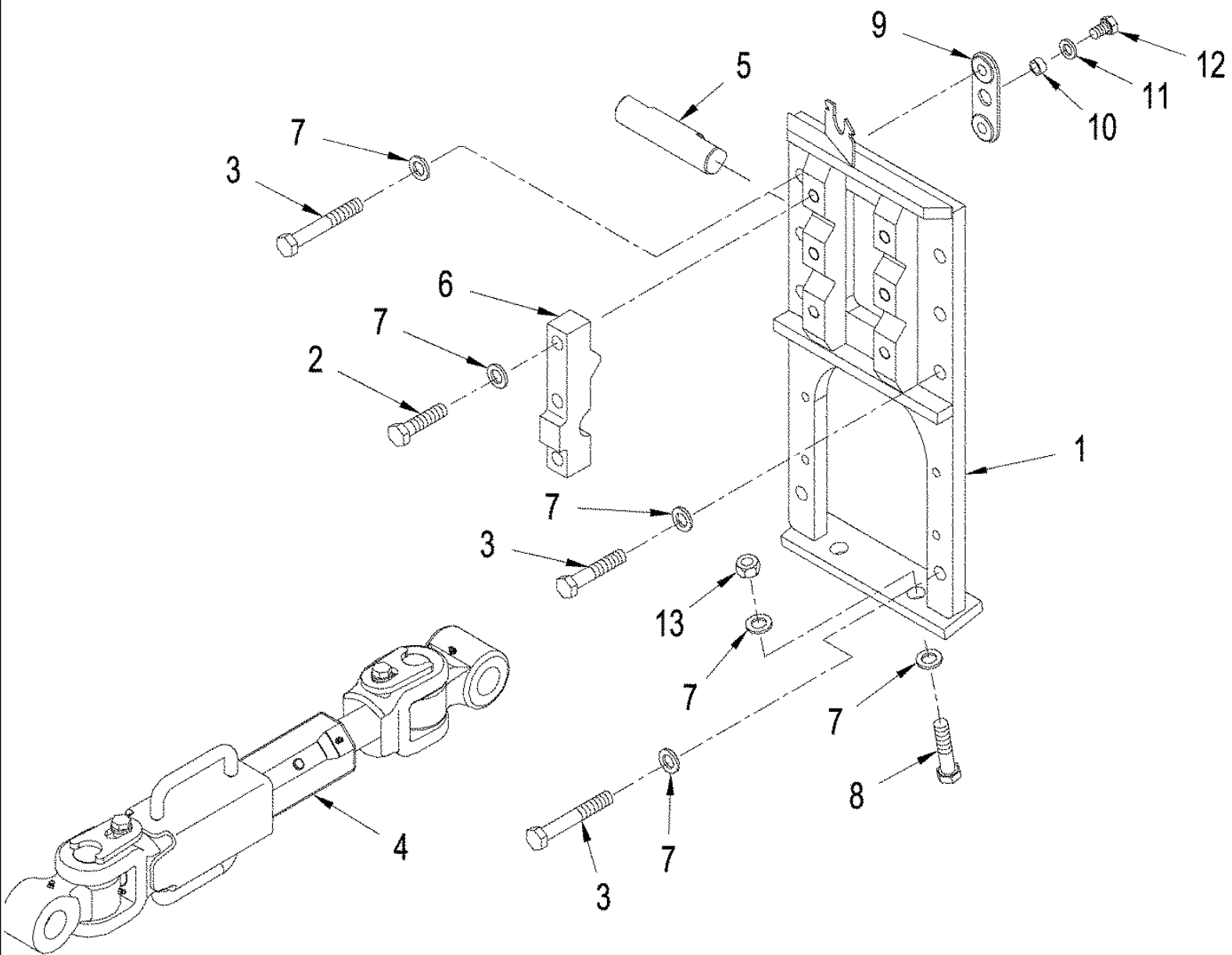
09-02 ROCKSHAFT

сылка	Номер детали	Кол-во	Описание
	403743A1	1	ROCKSHAFT, Inc. 1 - 5, 12
1	NSS	1	NOT SERVICED SEPARATELY, Rockshaft
2	435500A1	4	BUSHING,
3	80719	2	NIPPLE, LUBE, 90с, 1/8" NPT x .84" lg,
4	328586A2	2	BUSHING,
5	612715	2	ELBOW, 45°, 1/8" PT x Fem PT
6	853764	2	CLAMP, 5/16", Insul, 5/16" Bolt,
7	43232	2	SCREW,
8	1339231C1	2	HOSE, 737 mm (29 in), Grease
9	86624184	2	WASHER, M8 x 16 x 1.6,
10	F53473	2	NUT, Special, 1/8 PT
11	87414	2	NIPPLE, LUBE, 1/4"-28 x .56" lg, Drive,
12	80717	2	NIPPLE, LUBE, 45с, 1/8" NPT x 7/8" lg,



09-03 THREE POINT HITCH - UPPER LINK, WITHOUT POWER TAKEOFF

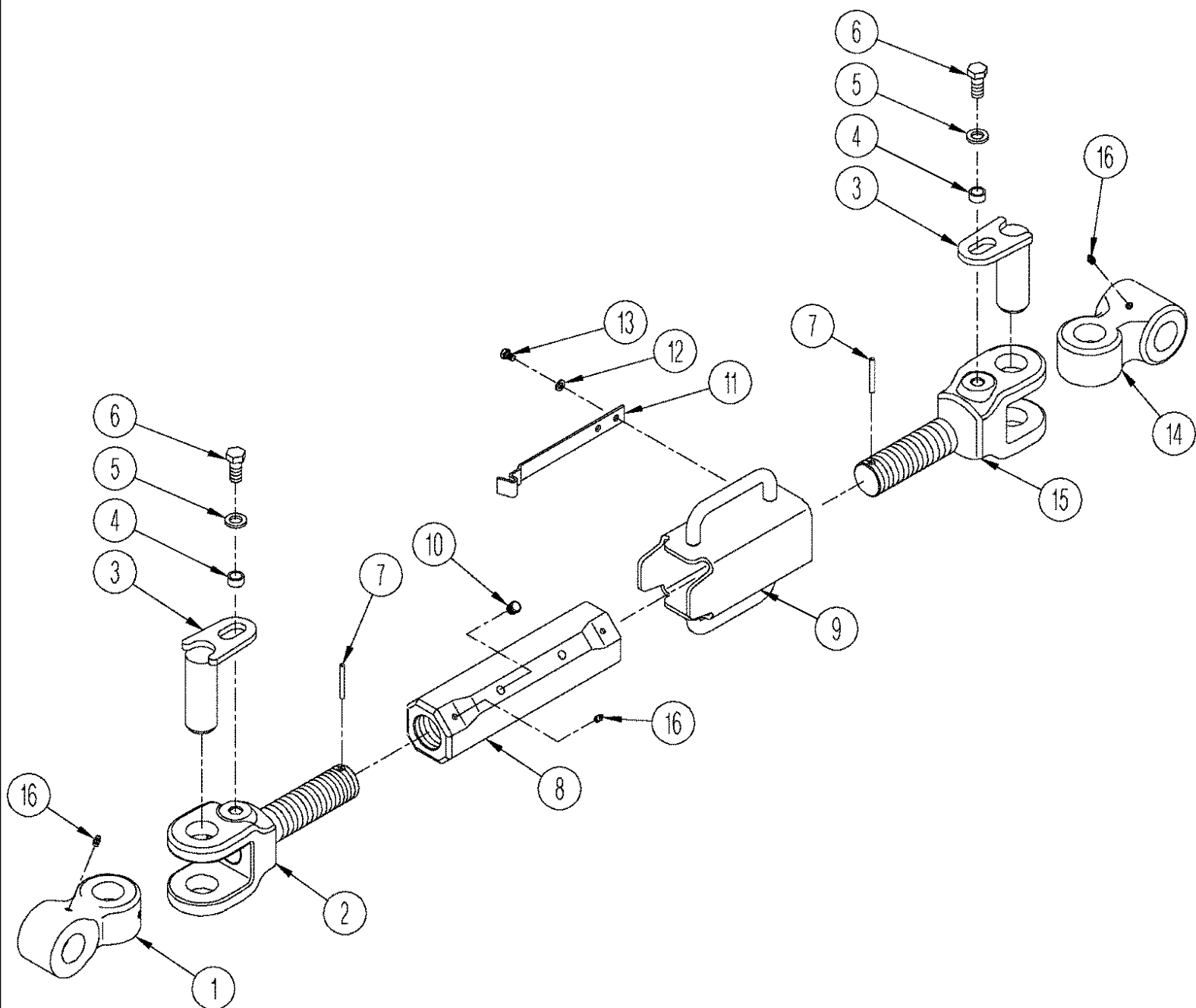
сылка	Номер детали	Кол-во	Описание
1	403739A1	1	BRACKET, Mounting, Upper Link, without PTO
2	309663A1	1	PIN,
3	403737A1	2	CLAMP,
4	86625260	12	WASHER, M20 x 37.5 x 4, HT,
5	827-20130	4	BOLT, Hex, M20 x 130, 10.9,
6	259389A1	6	PLATE, Retaining
7	435501A1	2	SPACER,
8	86625266	2	WASHER, M17.5 x 30 x 4, HT,
9	86639032	2	BOLT, Hex, M16 x 25, 10.9, Full Thd,
10	9846949	6	BOLT, Hex, M20 x 80, 10.9,
11	NSS	1	NOT SERVICED SEPARATELY, Link, Upper, Order Component Parts, See Figure: 09-05
12	9847024	2	NUT, M20, CI 10,
13	403736A1	1	PLATE,
14	86624176	4	WASHER, M10 x 20 x 2,
15	86500689	2	NUT, M10, CI 10,
16	86624978	2	BOLT, Hex, M10 x 35, 10.9, Full Thd,
17	827-20090	4	BOLT, Hex, M20 x 90, 10.9,



09-04 THREE POINT HITCH - UPPER LINK, WITH POWER TAKEOFF

сылка	Номер детали	Кол-во	Описание
1	403738A1	1	BRACKET, Mounting, Upper Link, with PTO
2	9846949	6	BOLT, Hex, M20 x 80, 10.9,
3	86624994	8	BOLT, Hex, M20 x 230, 10.9,
4	NSS	1	NOT SERVICED SEPARATELY, Link, Upper, Order Component Parts, See Figure: 09-05
5	309663A1	1	PIN,
6	403737A1	2	CLAMP,
7	86625260	16	WASHER, M20 x 37.5 x 4, HT,
8	9846950	2	BOLT, Hex, M20 x 90, 10.9,
9	259389A1	2	PLATE,
10	435501A1	4	SPACER,
11	86625266	4	WASHER, M17.5 x 30 x 4, HT,
12	86639032	4	BOLT, Hex, M16 x 25, 10.9, Full Thd,
13	9847024	2	NUT, M20, CI 10,
14	86639169	4	BOLT, Hex, M20 x 270, 10.9,

09-05 LINK ASSY - UPPER

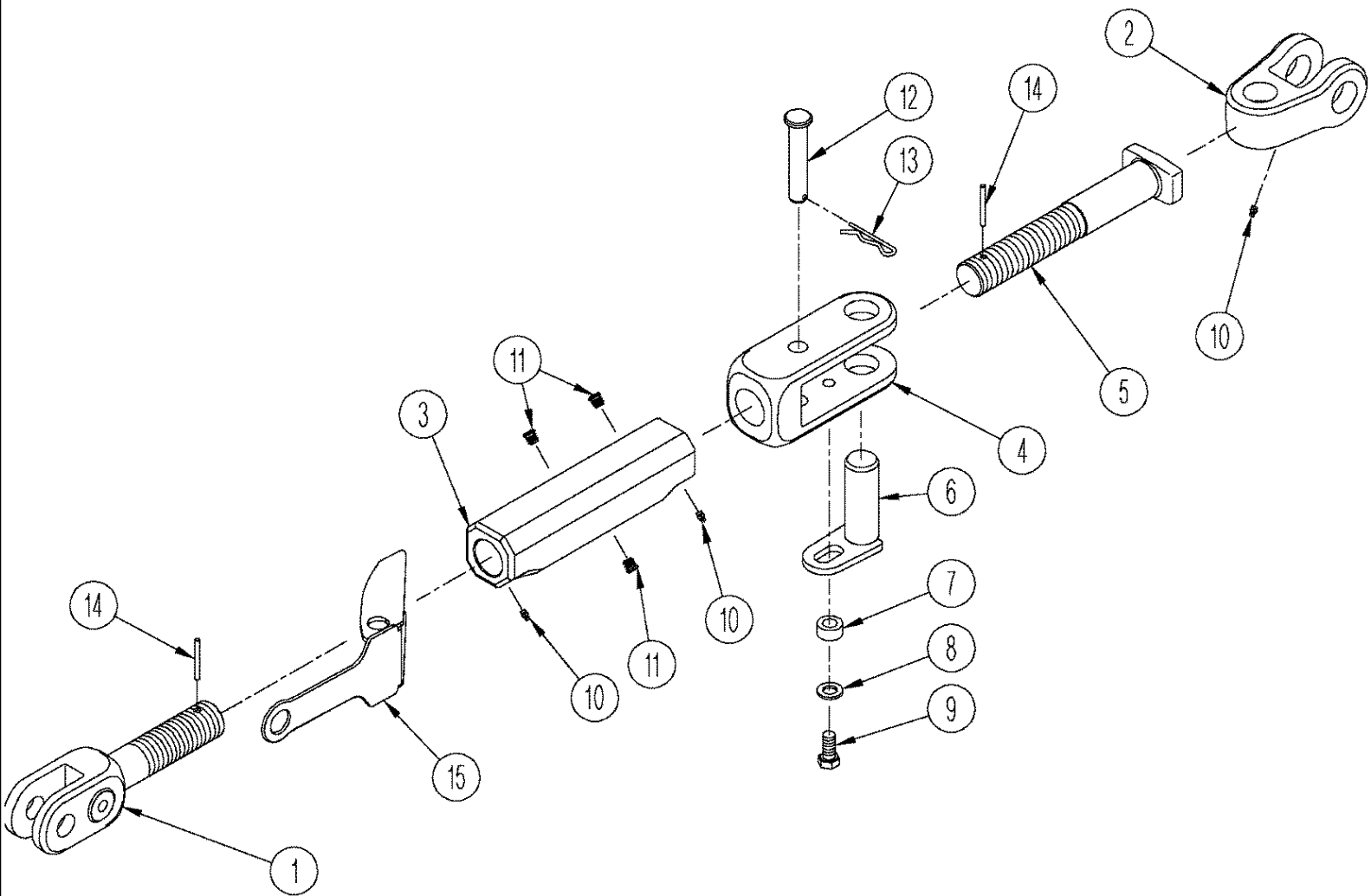


T9040 4WD TRACTOR, ASN (8/07-) - Chassis/Attachments

09-05 LINK ASSY - UPPER

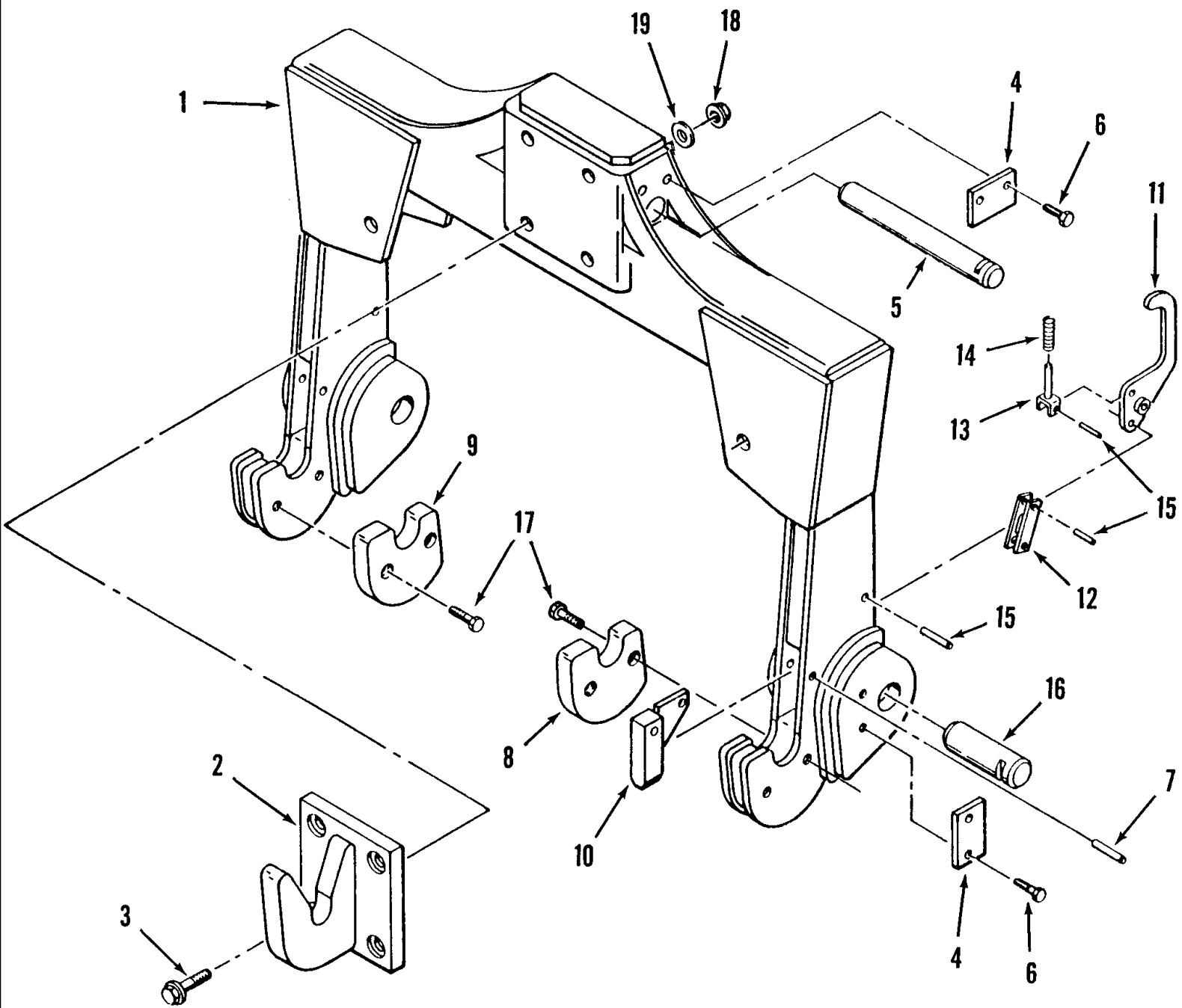
сылка	Номер детали	Кол-во	Описание
1	403726A1	1	KNUCKLE ASSY.,
2	403731A1	1	LINK, U-Joint, LH
3	435504A1	2	PIN,
4	435501A1	2	SPACER,
5	86625266	2	WASHER, M17.5 x 30 x 4, HT,
6	86529976	2	BOLT, Hex, M16 x 35, 10.9,
7	86639255	2	PIN, ROLL, M6 x 55
8	403729A1	1	TURNBUCKLE,
9	403730A1	1	LOCK,
10	295004A1	4	PLUG,
11	282523A1	1	LOCK, Anti-Rotation
12	86624184	2	WASHER, M8 x 16 x 1.6,
13	43231	2	BOLT, Hex, M8 x 12, 10.9, Full Thd,
14	403728A1	1	KNUCKLE ASSY.,
15	403733A1	1	LINK, U-Joint, RH
16	87414	6	NIPPLE, LUBE, 1/4"-28 x .56" lg, Drive,

09-06 LINK ASSY - LIFT



09-06 LINK ASSY - LIFT

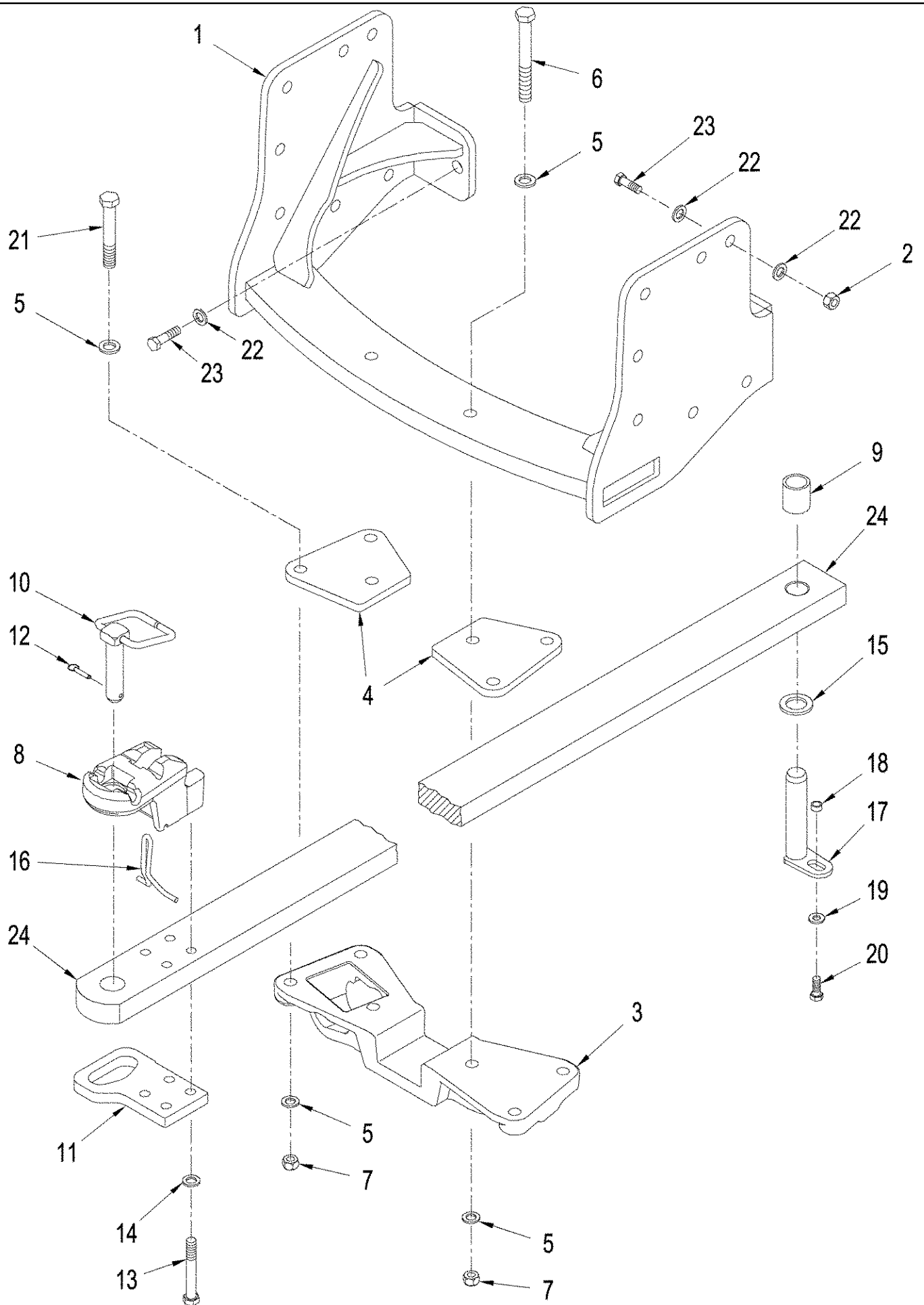
сылка	Номер детали	Кол-во	Описание
1	329058A1	1	CLEVIS,
2	403720A1	1	KNUCKLE ASSY.,
3	403729A1	1	TURNBUCKLE,
4	403719A1	1	CLEVIS,
5	322446A1	1	BOLT, Special
6	435504A1	1	PIN,
7	435501A1	1	SPACER,
8	86625266	1	WASHER, M17.5 x 30 x 4, HT,
9	86529976	1	BOLT, Hex, M16 x 35, 10.9,
10	87414	3	NIPPLE, LUBE, 1/4"-28 x .56" lg, Drive,
11	295004A1	4	PLUG,
12	388469A1	1	PIN, CLEVIS,
13	86637653	1	PIN, SPLIT (COTTER), Int, 7/16" x .177",
14	86639255	2	PIN, ROLL, M6 x 55, Coiled Spring
15	344696A2	1	LATCH,



09-07 QUICK HITCH

сылка	Номер детали	Кол-во	Описание
1	409653A1	1	COUPLING, Hitch, Category IV Narrow
2	409654A1	1	HOOK,
3	86637940	4	BOLT, Hex Flg, 3/4"-10 x 2 1/2", G8,
4	409664A1	3	BLOCK, Retainer
5	435497A1	1	PIN,
6	9790143	6	BOLT, Hex, 1/2"-13 x 1", G8, Full Thd,
7	86624095	4	PIN, 1/2" x 2 1/2", Coiled,
8	409656A1	1	CAP, Spacer, RH
9	409658A1	1	CAP, Spacer, LH
10	409659A1	2	STOP, Hitch Release
11	409660A1	2	LATCH,
12	409661A1	2	LINK, CONNECTING,
13	409662A1	2	LINK, CONNECTING,
14	435440A1	2	SPRING, COMPRESSION,
15	86637812	6	PIN, 5/16" x 1 1/8", Coiled,
16	435496A1	2	PIN,
17	88904	4	BOLT, Hex, 1/2"-13 x 1 1/2", G8, Full Thd,
18	280375	4	NUT, LOCK, 3/4"-10, GC,
19	87381	4	WASHER, 3/4", SAE,

09-08 DRAWBAR - HEAVY DUTY, WITHOUT THREE POINT HITCH

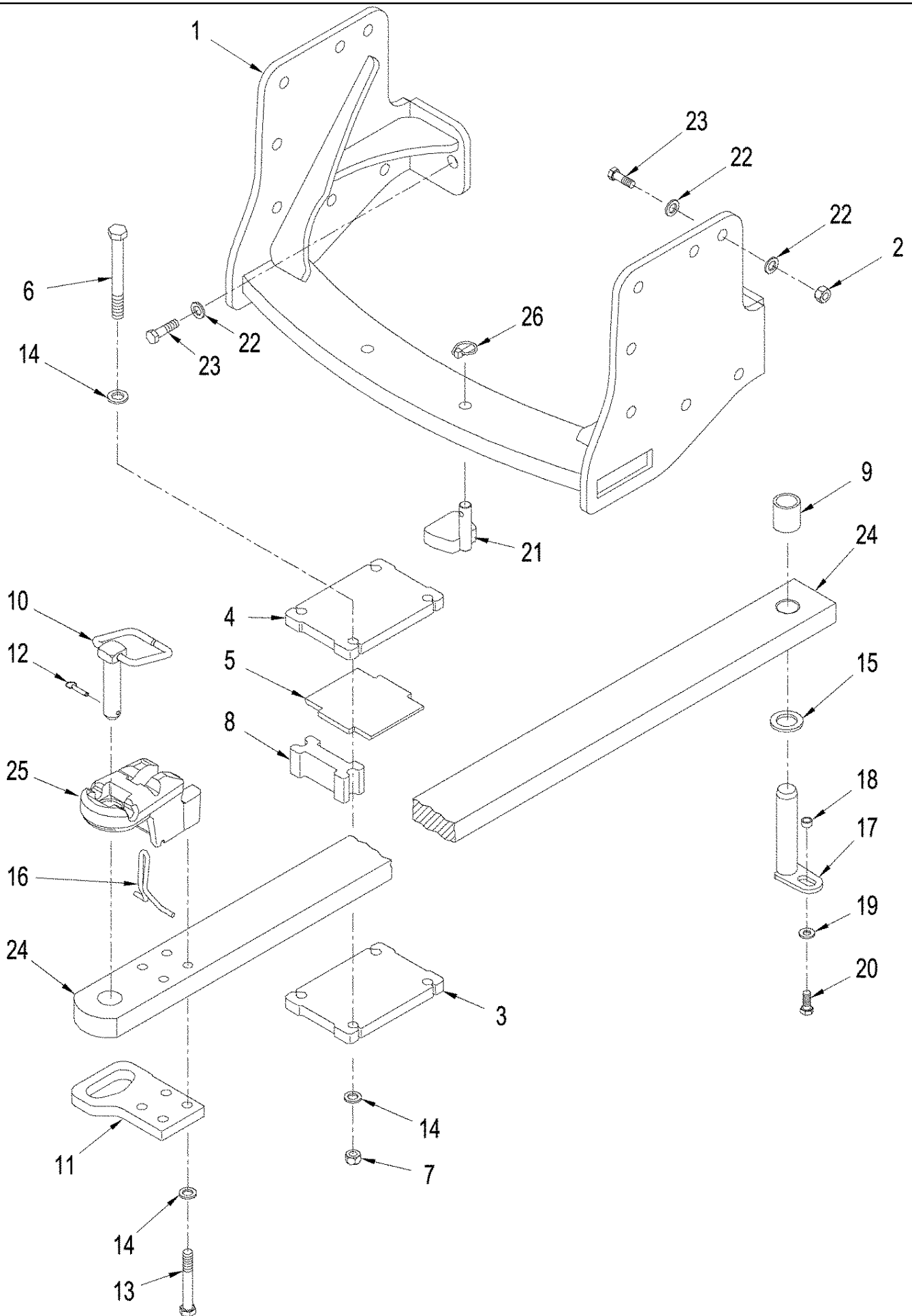


T9040 4WD TRACTOR, ASN (8/07-) - Chassis/Attachments

09-08 DRAWBAR - HEAVY DUTY, WITHOUT THREE POINT HITCH

сылка	Номер детали	Кол-во	Описание
1	87323021	1	HANGER, Drawbar
2	829-1424	12	NUT, M24, CI 10,
3	87571551	1	STRAP, Support, Drawbar Lower
4	87567404	2	PLATE, STEEL, Support, Drawbar Upper
5	896-11024	12	WASHER, M24 x 44.5 x 5, HT,
6	87306413	2	BOLT,
7	829-1424	6	NUT, M24, CI 10,
8	375719A1	1	STRAP, Hammer, Drop Pin
9	87524463	1	SPACER,
10	375720A1	1	PIN, Drop
11	87574391	1	PLATE, STEEL, Safety Chain
12	87522067	1	PIN, LOCK,
13	827-20140	4	BOLT, Hex, M20 x 140, 10.9,
14	896-15020	4	WASHER, M20 x 44.5 x 5, HT,
15	87317191	1	WASHER,
16	375721A1	2	LATCH, Drop Pin
17	87524404	1	PIN,
18	70-5967T1	1	SPACER,
19	496-21066	1	WASHER, 21/32" x 1 5/16" x .150",
20	627-16040	1	BOLT, Hex, M16 x 40, 10.9,
21	827-24160	4	BOLT, Hex, M24 x 160, 10.9,
22	896-11024	26	WASHER, M24 x 44.5 x 5, HT,
23	627-24070	14	BOLT, Hex, M24 x 70, 10.9, Full Thd,
24	87564456	1	DRAWBAR,

09-09 DRAWBAR - HEAVY DUTY, WITH THREE POINT HITCH

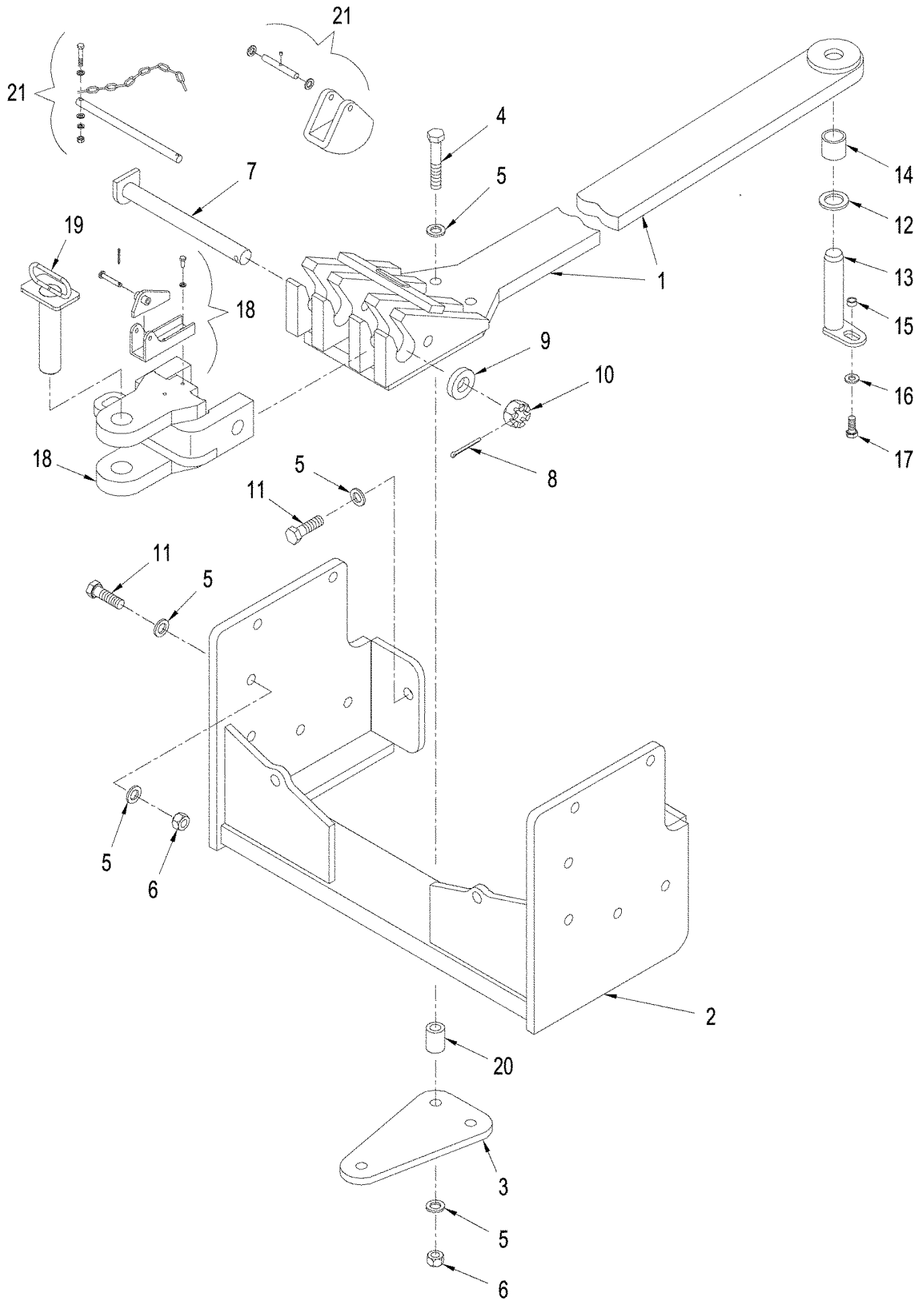


T9040 4WD TRACTOR, ASN (8/07-) - Chassis/Attachments

09-09 DRAWBAR - HEAVY DUTY, WITH THREE POINT HITCH

сылка	Номер детали	Кол-во	Описание
1	87323021	1	HANGER, Drawbar
2	829-1424	12	NUT, M24, CI 10,
3	87567060	1	PLATE, Drawbar, Bottom
4	87564455	1	PLATE, Drawbar, Top
5	87564453	1	PAD, WEAR,
6	827-20220	4	BOLT, Hex, M20 x 220, 10.9,
7	829-1420	4	NUT, M20, CI 10,
8	87564454	2	SPACER,
9	87524463	1	SPACER,
10	375720A1	1	PIN, Drop
11	87574391	1	PLATE, STEEL, Safety Chain
12	87522067	1	PIN, LOCK,
13	827-20140	4	BOLT, Hex, M20 x 140, 10.9,
14	896-15020	12	WASHER, M20 x 44.5 x 5, HT,
15	87317191	1	WASHER,
16	375721A1	2	LATCH, Drop Pin
17	87524404	1	PIN,
18	70-5967T1	1	SPACER,
19	496-21066	1	WASHER, 21/32" x 1 5/16" x .150",
20	627-16040	1	BOLT, Hex, M16 x 40, 10.9,
21	87655402	2	PIN, HITCH, Drawbar Stop
22	896-11024	26	WASHER, M24 x 44.5 x 5, HT,
23	627-24070	14	BOLT, Hex, M24 x 70, 10.9, Full Thd,
24	87564456	1	DRAWBAR,
24	87566722	1	DRAWBAR, , T9030 / 9040
25	375719A1	1	STRAP,
26	19-6056	2	PIN, LOCK, 7/16" x 1 3/4",

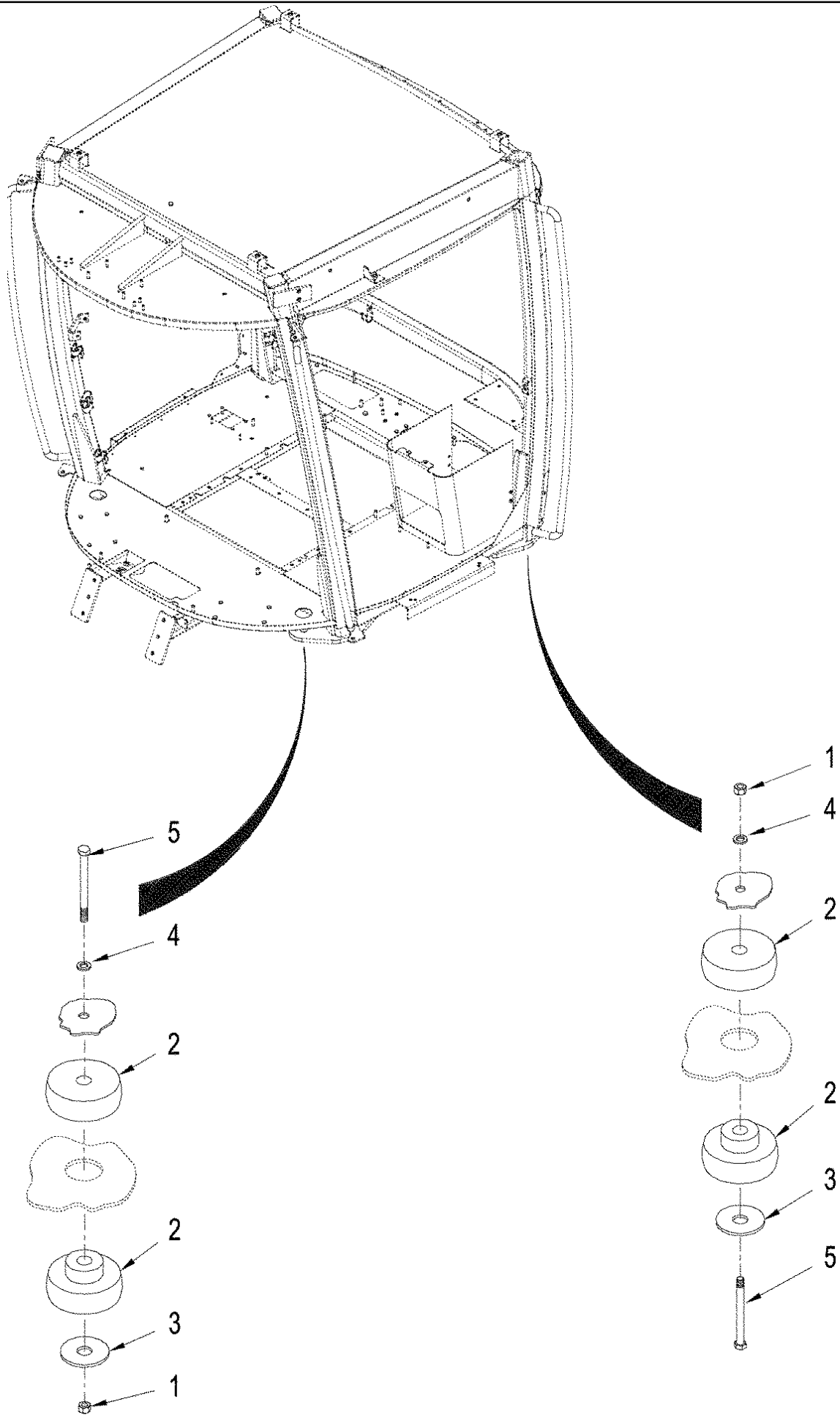
09-10 DRAWBAR - REYNOLDS



09-10 DRAWBAR - REYNOLDS

сылка	Номер детали	Кол-во	Описание
1	NSS	1	NOT SERVICED SEPARATELY, Drawbar, Purchase Assembly and Component Parts Directly From Reynolds, McAllen, Texas.
2	NSS	1	NOT SERVICED SEPARATELY, Hanger, Drawbar, Purchase Assembly and Component Parts Directly From Reynolds, McAllen, Texas.
3	87448334	1	PLATE,
4	827-24160	3	BOLT, Hex, M24 x 160, 10.9,
5	86639319	32	WASHER, 26 x 44 x 5 mm
6	9848973	15	NUT, M24, CI 10,
	433446A1	1	PIN, HITCH, Inc. 7 - 10
7	NSS	1	NOT SERVICED SEPARATELY, Pin
8	NSS	1	NOT SERVICED SEPARATELY, Pin, Cotter
9	NSS	1	NOT SERVICED SEPARATELY, Washer
10	NSS	1	NOT SERVICED SEPARATELY, Nut, Slotted
11	86639184	14	BOLT, Hex, M24 x 80, 10.9, Full Thd,
12	87317191	1	WASHER,
13	87524404	1	PIN,
14	87533291	1	SPACER,
15	435501A1	1	SPACER,
16	86624189	1	WASHER, 21/32" x 1 5/16" x .150",
17	374835	1	BOLT, Hex, M16 x 40, 10.9,
	365945A1	1	KIT, Adapter, Reverse, Inc. 18, 19
18	446133A1	1	ASSEMBLY, Reverse Adapter
19	359522A1	1	PIN,
20	434402A1	3	SPACER,
21	NSS	1	NOT SERVICED SEPARATELY, Hitch, Quick

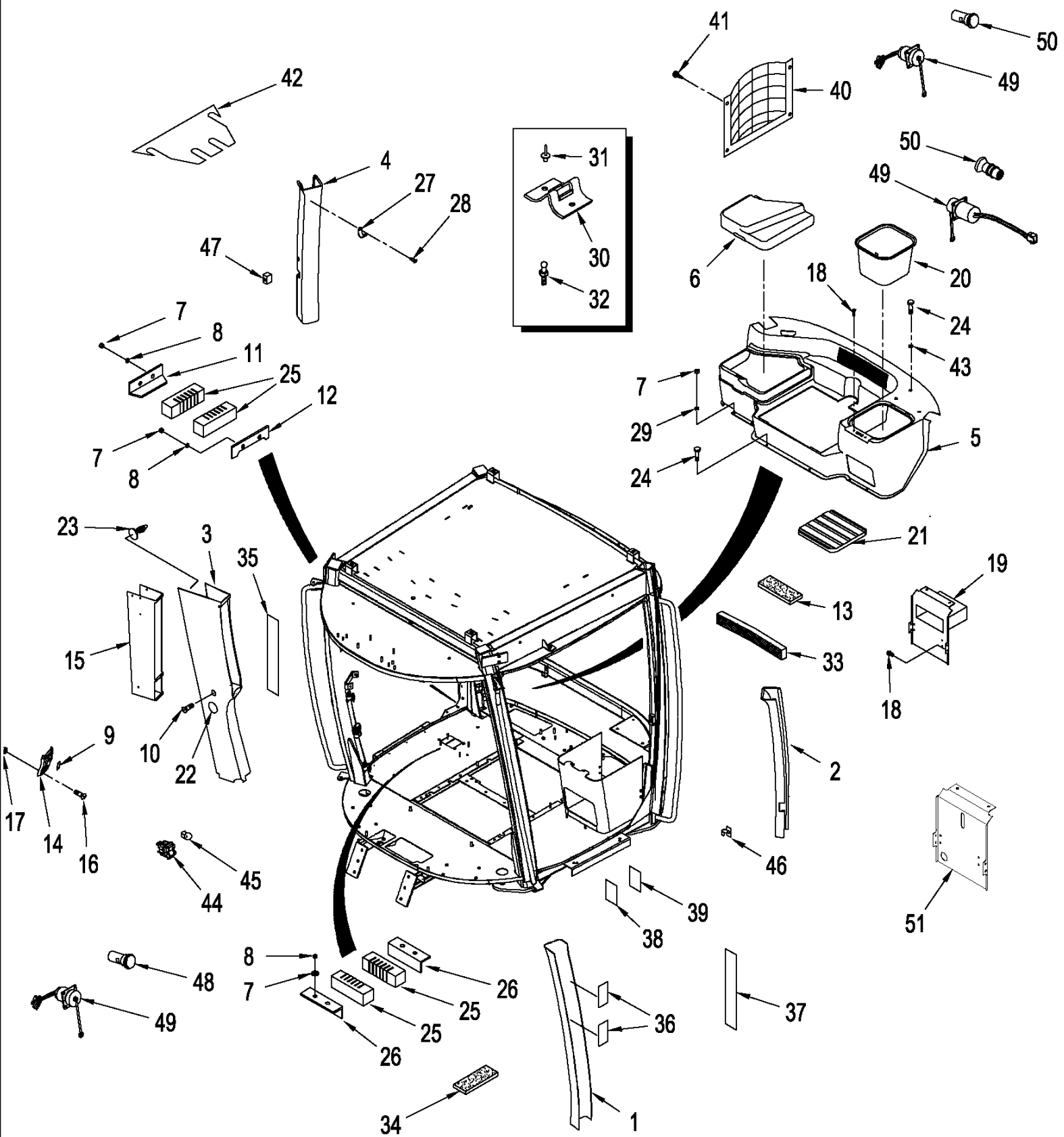
09-11 CAB MOUNTING



09-11 CAB MOUNTING

сылка	Номер детали	Кол-во	Описание
1	86639243	4	NUT, LOCK, M24 x 3, Cl 8,
2	87422287	4	MOUNT, RUBBER, Isolator
3	371043A1	4	WASHER, Steel
4	86639319	4	WASHER, 26 x 44 x 5 mm
5	827-24160	4	BOLT, Hex, M24 x 160, 10.9,

09-12 INTERIOR TRIM - DELUXE AND LUXURY CABS



09-12 INTERIOR TRIM - DELUXE AND LUXURY CABS

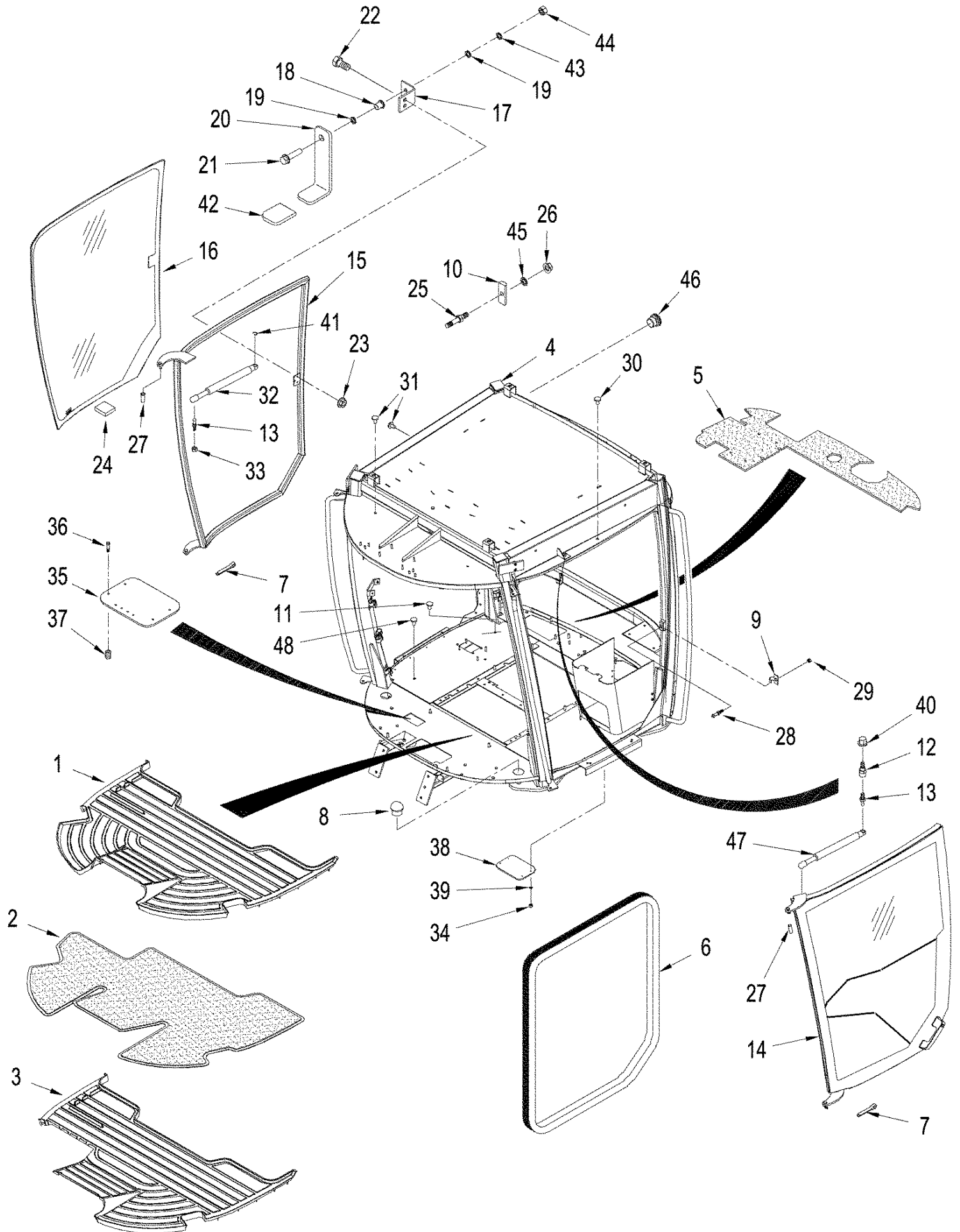
сылка	Номер детали	Кол-во	Описание
1	87669061	1	COVER ASSY, Post, Roll Over Protection
2	87669064	1	COVER ASSY, Post, Roll Over Protection
3	87669616	1	COVER, Post, Roll Over Protection
4	87669065	1	COVER ASSY, Post, Roll Over Protection
5	87669073	1	CONSOLE, Rear
6	87669066	1	Electronics
7	895-11006	8	WASHER, M6,
8	829-1406	12	NUT, M6, CI 10,
9	245918C1	2	CAP, Blank Slot
10	43233	4	BOLT, Hex, M8 x 20, 10.9,
11	291835A4	1	BRACKET, Cable Access
12	291836A3	1	BRACKET, Cable Access
13	259461A1	3	FOAM, Cut From : 283086A1
14	87669062	1	BEZEL, ROPs, RH A-Post
15	303158A5	1	SUPPORT, ROPs, RH A-Post
16	260-16516	2	SCREW, SELF TAPPING, Cross Pan Hd, #10 x 1",
17	177269A1	2	NUT, Special
18	628-6020	6	BOLT, Hex, M6 x 20, 10.9, Full Thd,
19	371685A4	1	BOX, Support, Compact Disc Changer, Deluxe Cab
20	119308A2	1	ASH TRAY, Storage
21	87608402	1	MAT, FLOOR, Rubber
22	87669075	1	DECAL, Hole Cover, ROPS Post
23	376553A1	3	FASTENER,
24	855-8030	5	BOLT, Hex Flg, M8 x 30, 10.9, Full Thd,
25	60-7021T1	4	FOAM, Cable Clamp
26	308579A1	2	BRACKET, Angle
27	114549A1	1	COAT HOOK,
28	765-17316	2	SCREW, SELF TAPPING, Oval Hd, M4.2 x 16,
29	895-25006	4	WASHER, M6 x 18 x 1.6,
30	1961435C1	1	LATCH,
31	151-553	2	RIVET, Pop, 1/8" x .337",
32	1977929C1	1	STUD, Ball
33	87408613	1	FILTER, CAB, Air Recirculation
34	87416388	1	INSULATOR BLOCK,
35	355371A2	1	TAPE, ADHESIVE,
36	356717A1	2	TAPE, ADHESIVE,
37	349366A2	1	FOAM, Tape
38	356789A1	2	FASTENER, Velcro Hook, Cut From : 356788A1
39	357564A1	2	FASTENER, Velcro Loop, Cut From : 357653A1
40	369937A1	1	NET, Cargo
41	369929A1	5	FASTENER, Christmas Tree
42	307026A1	1	SHIELD, Cable Access
43	86624185	3	WASHER, M8 x 17.5 x 2, HT,
44	418506A1	1	SWITCH, Park Brake, Manual Shift Transmission
44	87612339	1	SWITCH, Intellisteer Disengage, Power Shift Transmission

T9040 4WD TRACTOR, ASN (8/07-) - Chassis/Attachments

09-12 INTERIOR TRIM - DELUXE AND LUXURY CABS

сылка	Номер детали	Кол-во	Описание
45	409808A1	1	INDICATOR, Hi / Lo, Manual Shift Transmission
46	369719A1	1	BRACKET, Door, LH
47	371554A1	1	BRACKET, Door, RH
48	87452321	1	OUTLET, Power
49	227739A2	3	CONNECTOR, ELEC,
50	388813A1	2	OUTLET, Power
51	308955A2	1	BRACKET, Support, Rear Console

09-13 CAB - FLOORMATS AND DOORS



09-13 CAB - FLOORMATS AND DOORS

сылка	Номер детали	Кол-во	Описание
1	87561589	1	MAT, FLOOR, Rubber, Power Shift Transmission
2	87562811	1	MAT, FLOOR, Rubber, Manual Shift Transmission
3	87574436	1	CARPET,
4	87537334	1	FRAME, CAB, ROPS
4	87537336	1	FRAME, CAB, ROPS / FOPS
5	87537771	1	INSULATION, FOAM, Floor, Rear
6	390360A1	2	SEAL, Cut From : 388449A1
7	130003	2	PIN, SPLIT (COTTER), M3.2 x 20,
8	86637800	2	PLUG, 2-1/2" ID
9	369719A1	1	BRACKET, Door, Left-Hand
10	371554A1	1	BRACKET, Door, Right-Hand
11	86624181	8	WASHER, M6,
11	353-404	1	PLUG, Dome, .500" hole, Nylon, , Used without INTELLISTEER Option
12	442085A1	2	MOUNTING PARTS, Stud
13	3234063R1	2	BALL JOINT,
14	413022A2	1	DOOR ASSY., LH, See Figure: 09-14
	389175A3	1	WINDOW ASSY, RH, Inc. 13, 15, 16 - 23, 33 & 42 - 44
15	389176A1	1	FRAME, WINDOW, RH
16	181242A3	1	WINDOW, Glass
17	87420877	1	BRACKET, Latch
18	87422906	1	BUSHING, M6
19	87423414	2	WASHER, Nylon
20	87418389	1	LATCH ASSY., RH Door
21	9804256	2	BOLT, Hex Flg, M6 x 20, 8.8,
22	86639037	2	BOLT, Hex, M6 x 16, 10.9,
23	9804276	2	NUT, M6 x 1, Flg, CI 8,
24	87543673	10	SPACER,
25	87423532	1	PIN, Door Catch
26	86639244	1	NUT, Flange, M8
27	87429877	4	BUSHING,
28	R51754	1	CATCH, Striker
29	86637767	1	NUT, Flange, 7/16"
30	241637	1	PLUG, Dome, .625" hole, Nylon,
31	86639049	11	PLUG, 1/2"
32	87423389	1	DAMPER, Gas Spring
33	403749A1	1	NUT, M10; 10.9
34	43362	4	NUT, M8, CI 10,
35	414699A1	1	PLATE, Access, With Power Shift Transmission
36	120100	2	BOLT, Hex, M6 x 20, 8.8, , With Power Shift Transmission
37	404287A1	2	INSERT, , With Power Shift Transmission
38	327310A1	1	PLATE, Cover
39	86624184	4	WASHER, M8 x 16 x 1.6,
40	86512498	2	NUT, M16 x 2, Flg, CI 10,
41	3233348R1	2	CLIP, Retainer, 13mm (1/2")
42	87423716	1	CAP, Vinyl

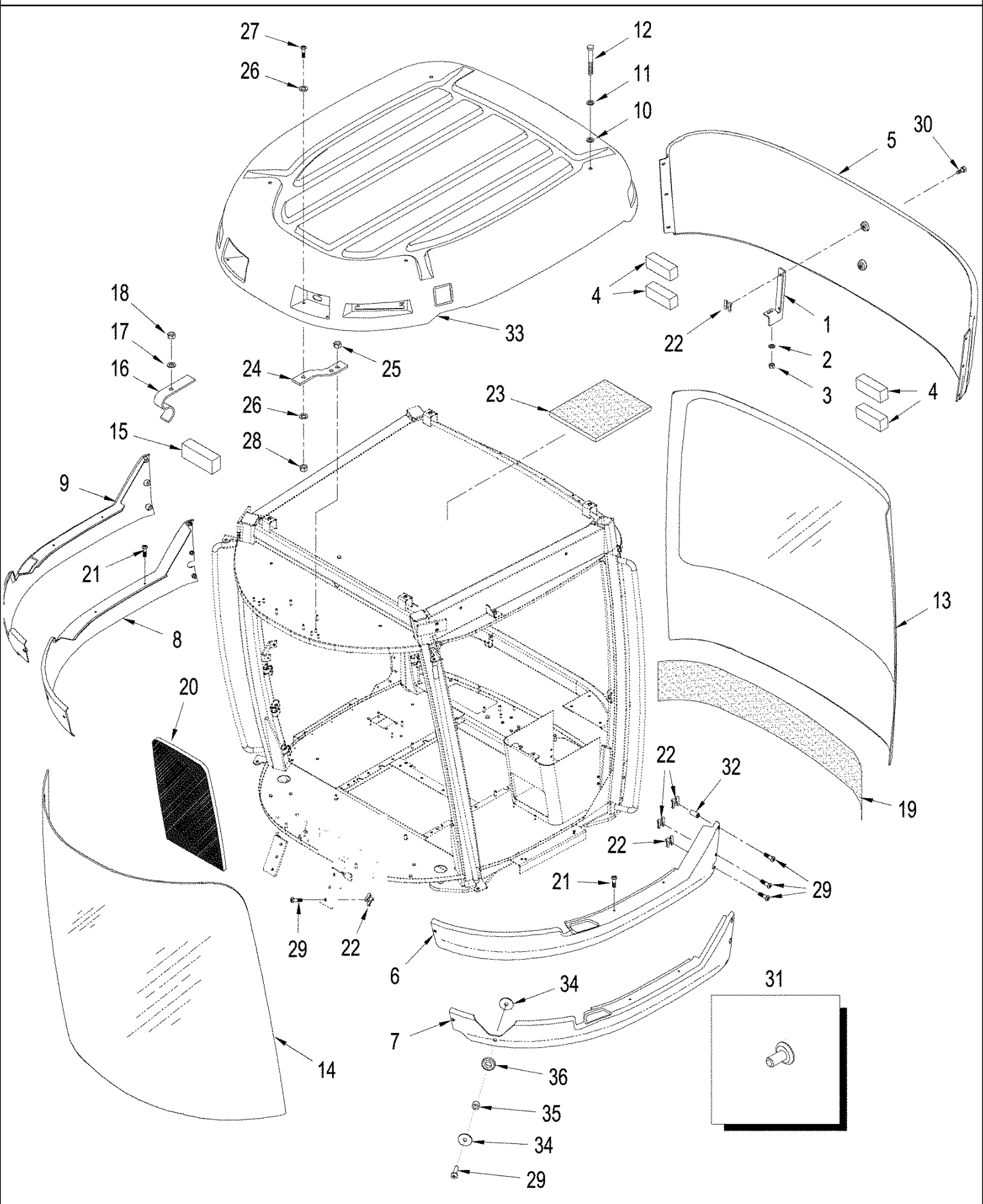
09-13 CAB - FLOORMATS AND DOORS

сылка	Номер детали	Кол-во	Описание
43	9824259	3	WASHER, M6 x 12 x 1.6,
44	86514335	1	NUT, LOCK, M6, CL8
45	86624185	1	WASHER, M8 x 17.5 x 2, HT,
46	86625130	1	PLUG, Dome, 1.250" hole, Nylon, , Used without INTELLISTEER Option
47	329720A1	1	CYLINDER, Gas Spring
48	353-403	3	PLUG, Dome, .437" hole, Nylon,

09-14 DOOR ASSY

сылка	Номер детали	Кол-во	Описание
	413022A2	1	DOOR ASSY., LH, Inc. 1 - 27
1	388785A2	1	DOOR,
2	388934A1	1	LEVER, Door Latch
3	181239A4	1	WINDOW ASSY, Glass
4	435491A1	1	HANDLE, Door, Exterior
5	86977786	1	BOLT, Hex, M6 x 25, 8.8,
6	388874A2	1	LATCH, Door
7	86639101	1	CLEVIS, M6 x 12
8	906020R1	1	CLIP, M6 x 6
9	86624182	4	WASHER, M6 x 18 x 1.6,
10	86639114	1	PIN, SPLIT (COTTER), M1.6 x 10,
11	86500688	2	NUT, M6, CI 10,
12	3234063R1	1	BALL JOINT,
13	403749A1	1	NUT, M10; 10.9
14	86511933	1	SCREW, Cross Pan Hd, 1/4"-20 x 1 1/4",
15	7770	1	NUT, 1/4"-20, G5,
16	86639143	3	BOLT, Hex, Lock, M6 x 35, CI 10.9,
17	86639119	3	SCREW, SELF TAPPING, Pan Hd, M4.2 x 16,
18	194174A1	1	GASKET, Large, Door Handle
19	194175A1	1	GASKET, Small, Door Handle
20	388122A1	1	HANDLE, Door, Interior
21	388120A2	1	ARMREST,
22	87543673	10	SPACER,
23	86639117	1	SCREW, SELF TAPPING, Pan Hd, M4.2 x 16,
24	86639314	2	WASHER, M5 x 10 x 1,
25	352842A1	1	KNOB, Lock
26	388936A1	1	ROD,
27	88961	4	SCREW, Hex Soc Flat Hd, 1/4"-20 x 3/4",
28	87016541	2	SCREW, SELF TAPPING, Cross Pan Hd, #10 x 1",
29	329720A1	1	CYLINDER, Gas Spring
30	397159A1	1	COVER, Door Latch, Interior
31	369566A1	1	TAPE, ADHESIVE,
32	130003	2	PIN, SPLIT (COTTER), M3.2 x 20,
33	3233348R1	2	CLIP, Retainer

09-15 CAB - SKIRTS AND GLASS



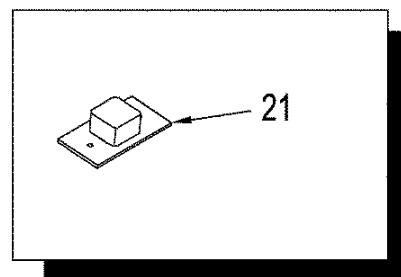
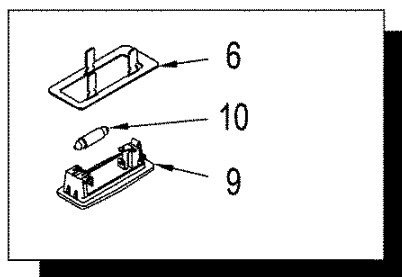
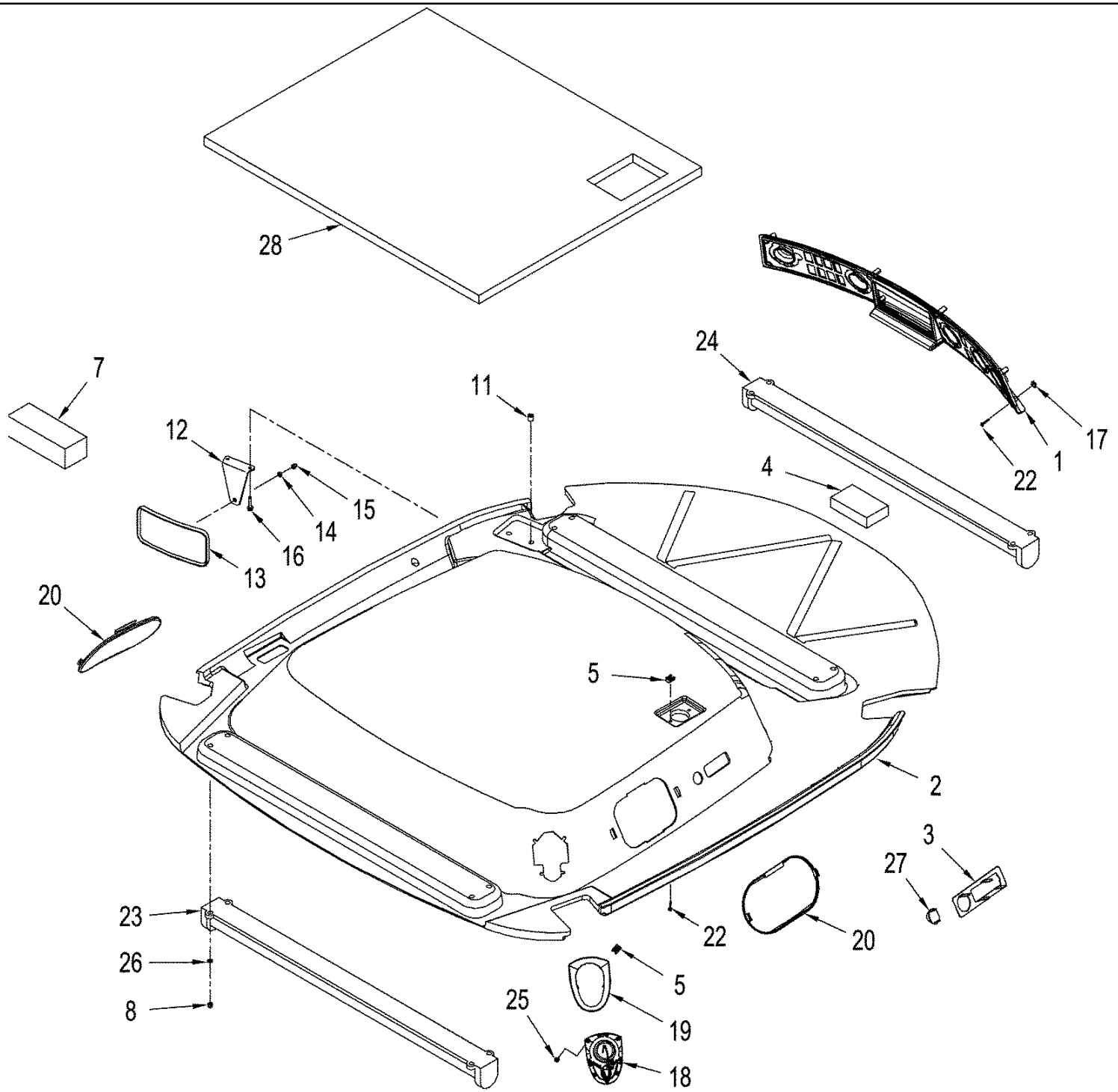
09-15 CAB - SKIRTS AND GLASS

сылка	Номер детали	Кол-во	Описание
1	341574A4	1	BRACKET, Mounting, Rear Skirt
2	86624184	4	WASHER, M8 x 16 x 1.6,
3	43362	4	NUT, M8, CI 10,
4	443864A1	2	SPACER,
5	87535372	1	SKIRT, Rear
6	87358026	1	SKIRT, LH
7	87348261	1	COVER, SKIRT, LH, with Lower Front Wipers
8	87358025	1	COVER, SKIRT, RH
9	87348210	1	COVER, SKIRT, RH, with Lower Front Wipers
10	361191A1	4	GROMMET,
11	86639326	4	WASHER, M17.5 x 34 x 5, HT,
12	86529976	4	BOLT, Hex, M16 x 35, 10.9,
13	181240A2	1	GLASS, Rear
14	87436557	1	GLASS, TINTED, Windshield
14	87436560	1	GLASS, TINTED, Windshield, Laminated (Europe Only)
15	87543673	52	SPACER,
16	117707A3	7	CLAMP, Window
17	86624184	8	WASHER, M8 x 16 x 1.6,
18	43362	8	NUT, M8, CI 10,
19	259462A1	1	INSULATION, FOAM, 1525 mm (60")
20	87312395	1	INSULATION, FOAM, Steering Console
21	86585703	4	SCREW, Cross Pan Hd, M8 x 20,
22	404882A1	4	FASTENER, Spring
23	355716A3	1	FOAM, Accoustical, Cab Roof
24	364156A1	4	BRACKET, Roof Support
25	43362	8	NUT, M8, CI 10,
26	86625263	8	WASHER, M8 x 20 x 1.6,
27	43234	4	BOLT, Hex, M8 x 25, 10.9,
28	86528579	4	NUT, LOCK, M8 x 1.25, CI 10,
30	86511830	2	SCREW, Cross Pan Hd, M6 x 20,
29	86511831	10	SCREW, Cross Pan Hd, M6 x 25,
32	404287A1	4	INSERT, Threaded, M6 x 1
31	241637	1	PLUG, Dome, .625" hole, Nylon, , Without Flex Control
33	NSS	1	NOT SERVICED SEPARATELY, Roof Assy, See Figure: 09-16
34	895-15006	4	WASHER, M6 x 25 x 1.6,
35	60-5021T1	2	SPACER,
36	60-6840T1	2	GROMMET,

09-16 ROOF

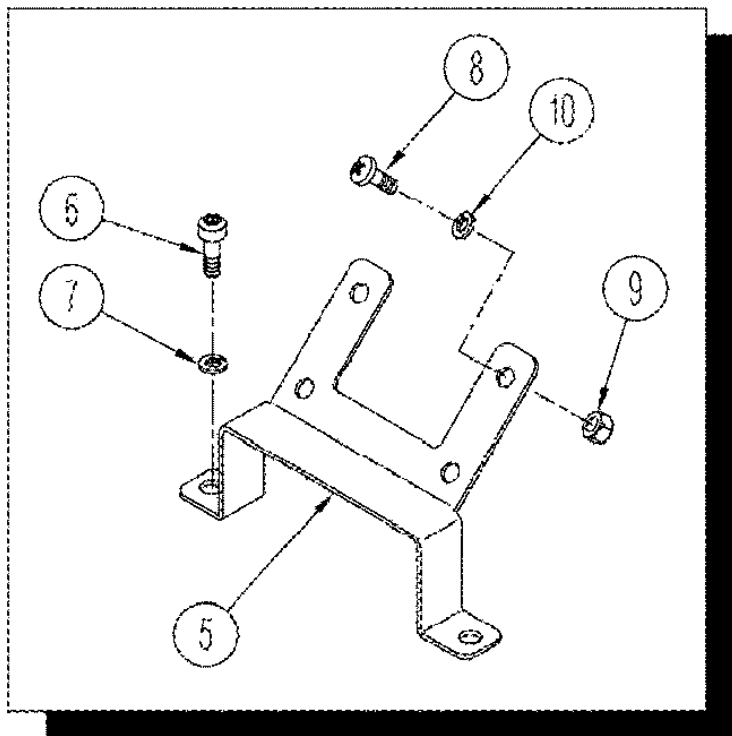
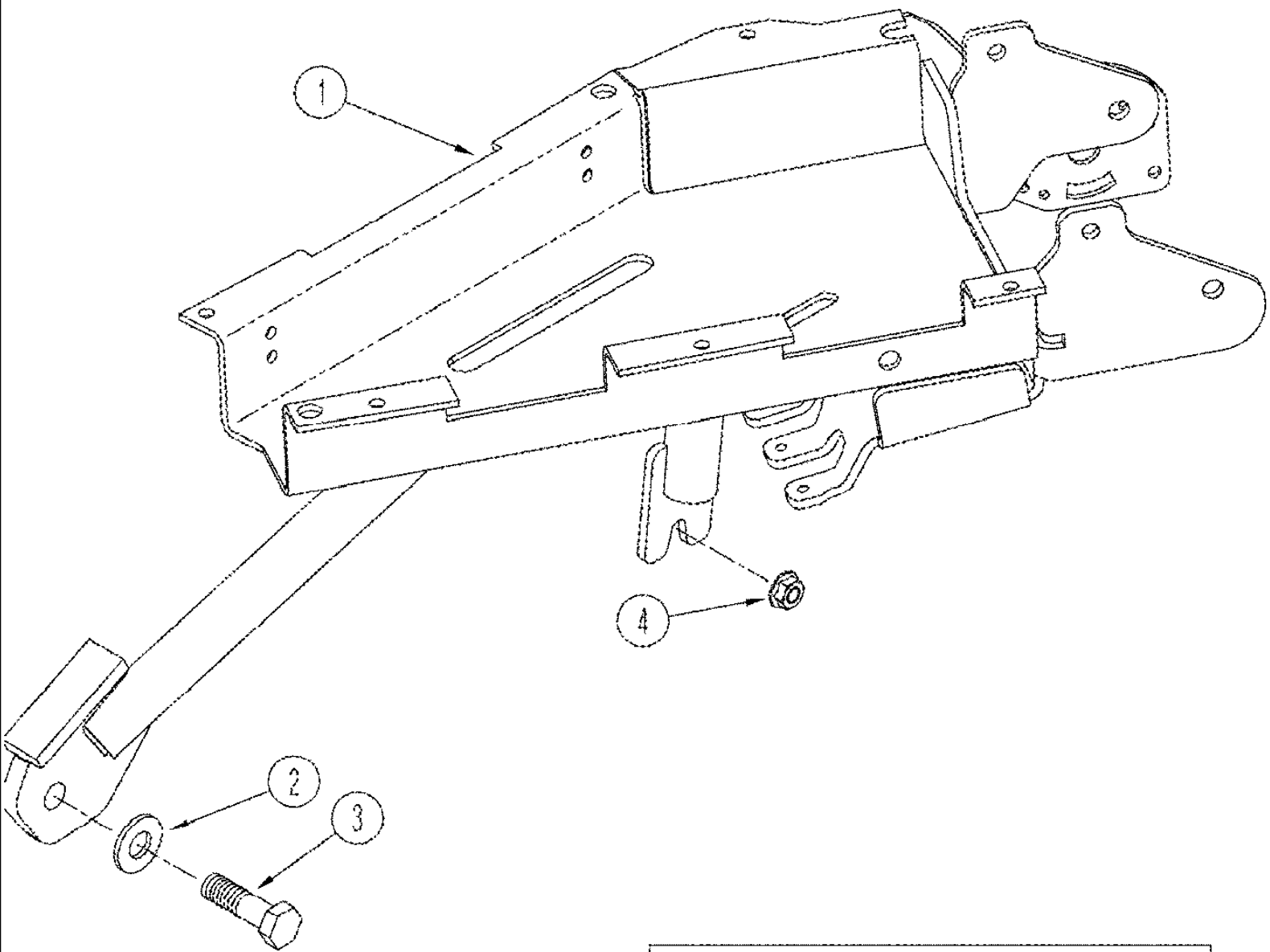
сылка	Номер детали	Кол-во	Описание
1	320246A1	4	LAMP, Warning, Hazard, See Figure: 04-27
2	355532A1	6	WASHER, Nylon
3	353561A1	1	BRACKET, Lamp Mounting, RH, Front
4	92269C1	6	LAMP, WORK, See Figure: 04-27
5	86639309	12	WASHER, M8 x 16 x 1.6,
6	43234	6	BOLT, Hex, M8 x 25, 10.9,
7	86528579	6	NUT, LOCK, M8 x 1.25, CI 10,
8	86546084	8	SCREW, Cross Pan Hd, M5 x 35,
9	353563A1	2	BRACKET, Lamp Mounting, RH, Rear
10	86500689	6	NUT, M10, CI 10,
11	451165A1	8	INSERT, THREADED,
12	353562A1	2	BRACKET, Lamp Mounting, LH, Rear
13	353560A1	1	BRACKET, Lamp Mounting, LH, Front
14	87394824	1	ROOF,
15	408658A1	2	DECAL, Cover, Without Mirror
16	361191A1	4	GROMMET,
17	86639311	4	WASHER, M16 x 34 x 3,
18	86529976	4	BOLT, Hex, M16 x 35, 10.9,
19	435436A1	7	MOUNT, RUBBER, Cable
20	892-11010	4	WASHER, LOCK, M10,

09-17 CAB - HEADLINER AND CONTROL PANEL



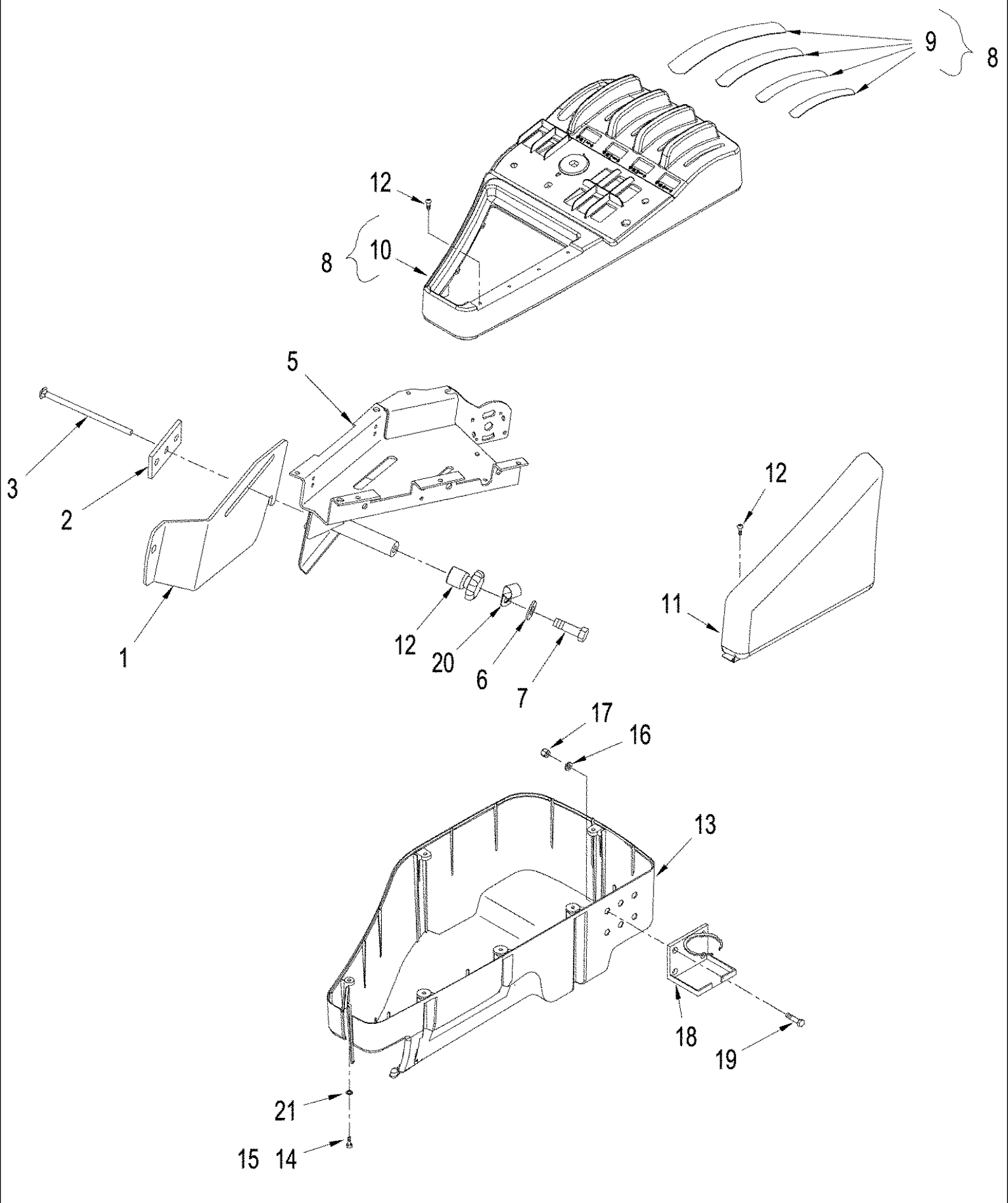
09-17 CAB - HEADLINER AND CONTROL PANEL

сылка	Номер детали	Кол-во	Описание
1	87453142	1	PANEL, Control
	393319A1	1	PANEL, Headliner Assy., Inc. 2 - 5
2	NSS	1	NOT SERVICED SEPARATELY, Headliner
3	393383A1	1	BRACKET, Domelight
4	328039A1	3	PAD, No. 6 x 5/8"
5	302862A1	6	NUT, Special
6	393384A1	2	BRACKET, Domelight
7	328037A1	1	PAD, 9 x 20 x 1.6 mm
8	86639246	8	NUT, Crown, M6, Cl8,
9	1983391C1	3	LAMP, Interior, Inc. 10
10	E35556	1	BULB,
11	435438A1	2	SPACER,
12	435493A1	1	BRACKET, Mounting, Rearview Mirror
13	A177462	1	MIRROR, Rearview, Inc. 14, 15
14	85700573	1	WASHER, LOCK, Ext Tooth, M6,
15	86642419	1	PIN, LOCK, 1/4" NF
16	86639023	2	BOLT, Hex Flg, M6 x 30, 10.9,
17	177269A1	8	NUT, Special
18	372892A1	1	LAMP, Map
19	280569A2	1	BEZEL, Map Lamp
20	400111A1	2	COVER, Speaker
21	83882C91	1	LAMP,
22	1270741C1	10	SCREW, SELF TAPPING, Cross Pan Hd, #8 x 1", Pointed
23	87450400	1	VISOR, SUN, Rear
24	87450399	1	VISOR, SUN, Front
25	86637783	4	SCREW, SELF TAPPING, Cross Pan Hd, #6 x 5/8",
26	297865A1	8	WASHER, 9 x 20 x 1.6 mm
27	280628A1	1	PLUG, Switch, Without Mirror
28	384759A1	1	FOAM, Accoustic, Roof



09-18 CONSOLE - RIGHT-HAND ARMREST, MANUAL

сылка	Номер детали	Кол-во	Описание
1	87364048	1	SUPPORT, Electronic, Non-Adjustable
2	895-15010	1	WASHER, M11 x 24 x 2,
3	627-10030	1	BOLT, Hex, M10 x 30, 10.9, Full Thd,
4	9804277	1	NUT, M8 x 1.25, Flg, CI 8,
5	349563A1	1	BRACKET, , Without Arm Rest Unit
6	86639293	2	SCREW, Hex Soc Hd, M4 x 12, 8.8,
7	86624179	2	WASHER, M4,
8	86511816	4	SCREW, Cross Pan Hd, M3 x 16,
9	86508812	4	NUT, M3, CI 8,
10	86639310	4	WASHER, M3,
11	86598598	1	CLAMP, 3/4", Insul, 1/2" Bolt,

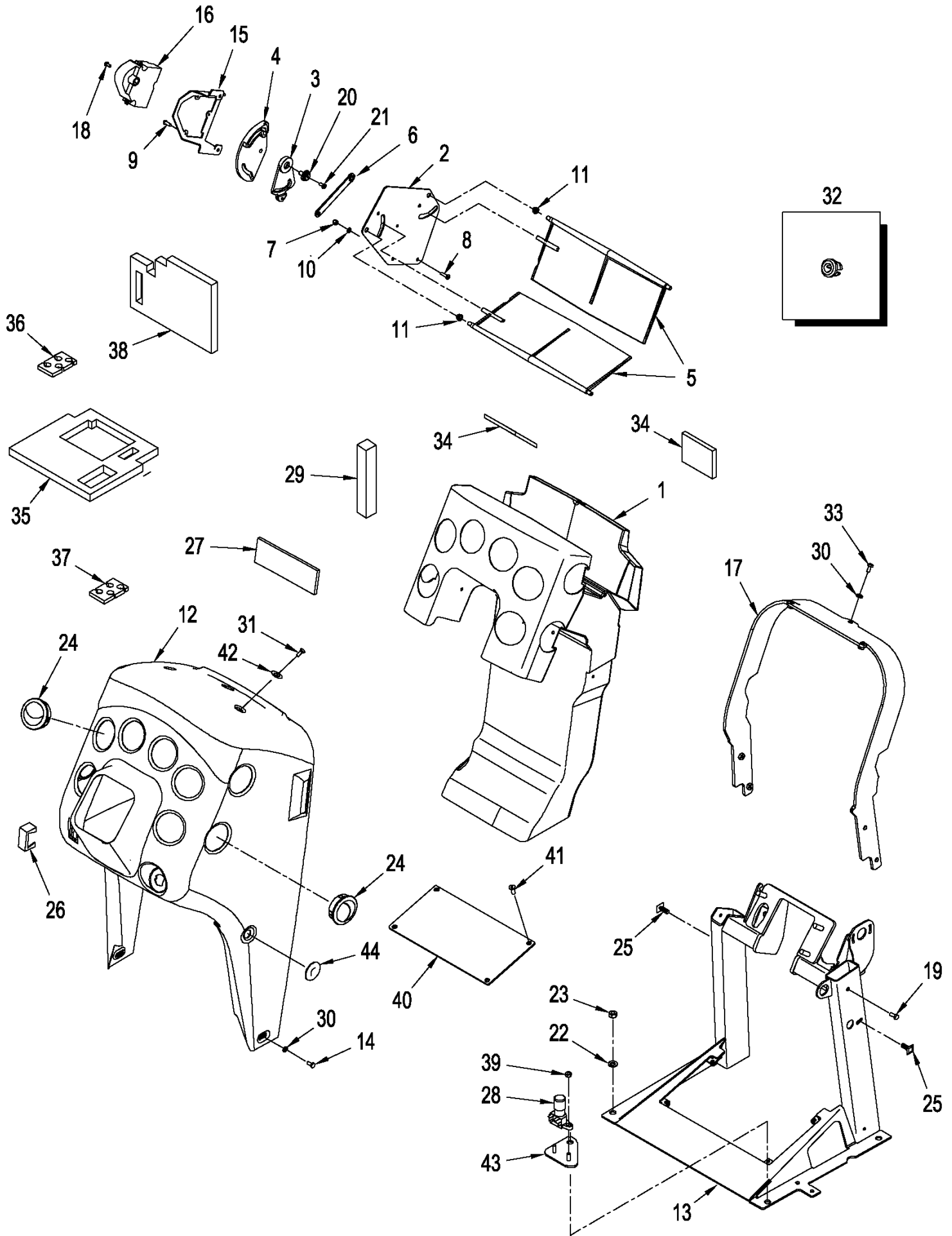


T9040 4WD TRACTOR, ASN (8/07-) - Chassis/Attachments

09-19 CONSOLE - RIGHT HAND ARMREST, ELECTRIC

сылка	Номер детали	Кол-во	Описание
1	87604589	1	BRACKET, Plate
2	87604590	1	PLATE, Support
3	87578954	1	BOLT,
4	87566581	1	KNOB,
5	87604588	1	SUPPORT, Upper, RH Armrest
6	895-15010	1	WASHER, M11 x 24 x 2,
7	627-10020	1	BOLT, Hex, M10 x 20, 10.9, Full Thd,
8	87314389	1	CONSOLE, Upper Armrest, w/ Decals, Inc. 9 & 10
9	410518A1	1	DECAL, Throttle and EH Levers
10	87314390	1	COVER, Upper Armrest
11	277204A2	1	CUSHION,
12	86639117	4	SCREW, SELF TAPPING, Pan Hd, M4.2 x 16,
13	405227A1	1	HOUSING, Lower Armrest, Without Flex Control
13	87339622	1	HOUSING, Lower Armrest, With Flex Control
14	86639294	6	SCREW, Hex Soc Hd, M4 x 20, 8.8, , With Flex Control
15	86624126	6	SCREW, Hex Soc Hd, M4 x 16, 8.8, , Without Flex Control
16	86624179	16	WASHER, M4,
17	100012	4	NUT, M4, CI 8,
18	331649A1	1	HOLDER, Cup
19	44334	4	SCREW, Cross Pan Hd, M4 x 12,
20	86598598	1	CLAMP, 3/4", Insul, 1/2" Bolt,
21	893-11004	6	WASHER, LOCK, Ext Tooth, M4,

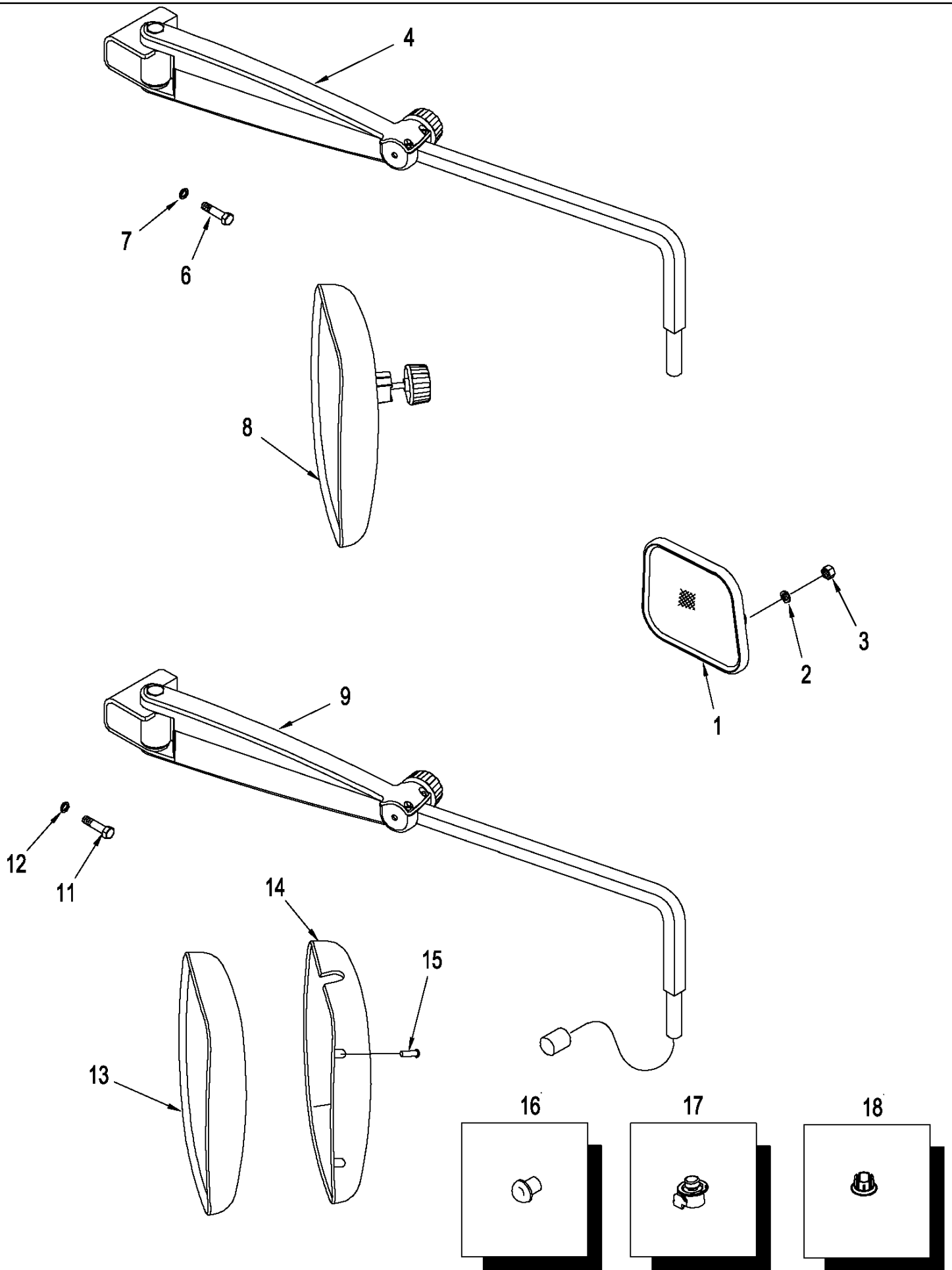
09-20 FRONT CONSOLE



09-20 FRONT CONSOLE

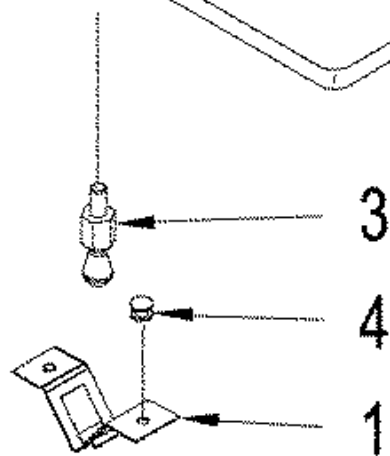
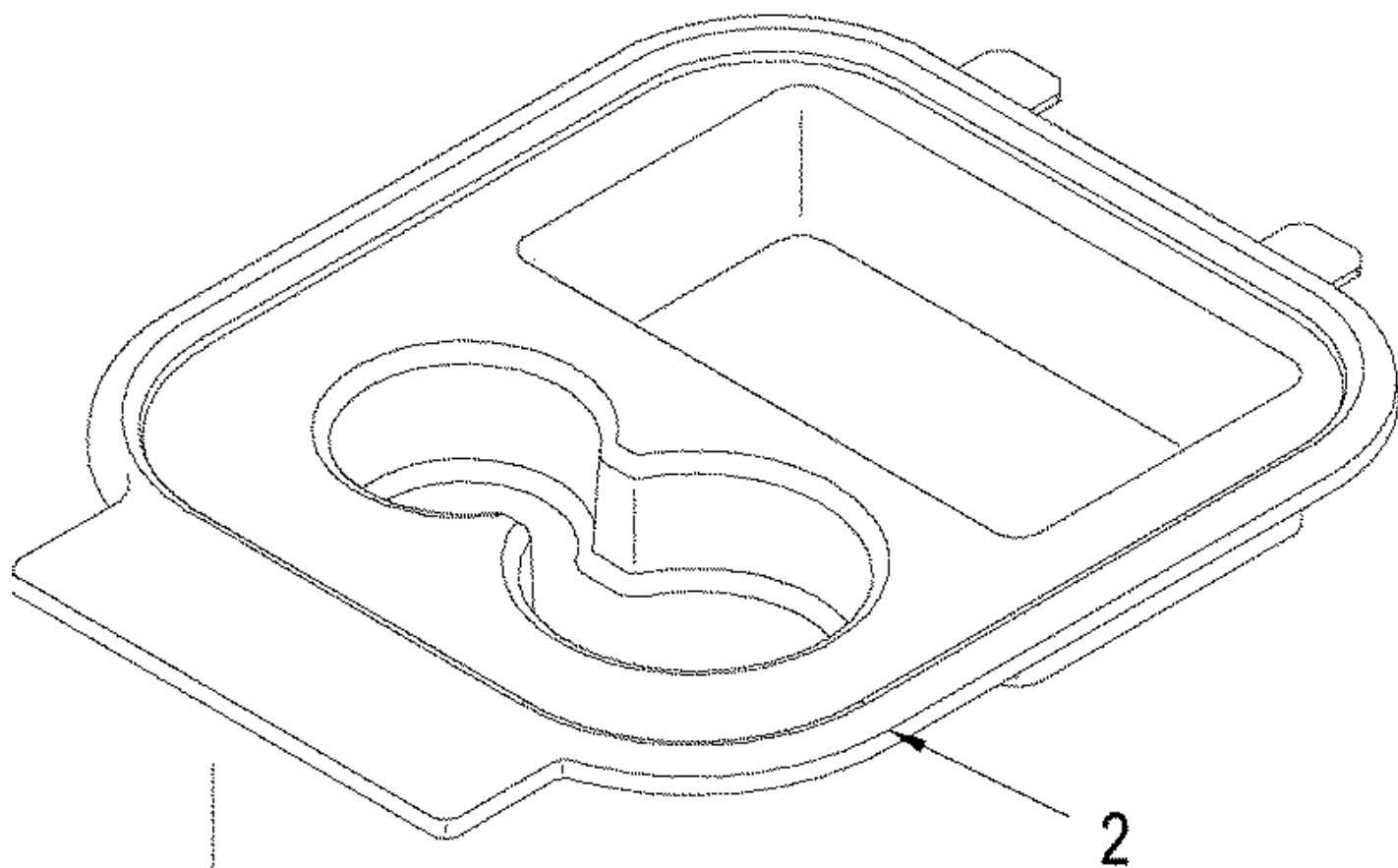
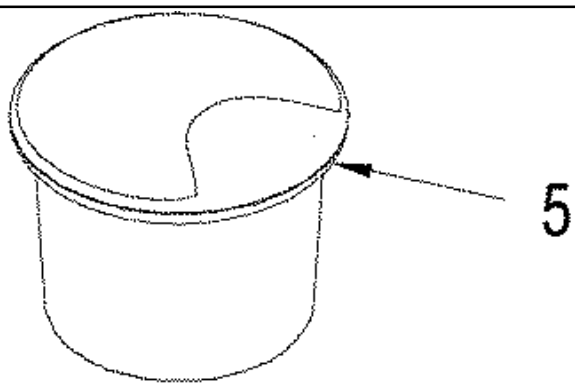
сылка	Номер детали	Кол-во	Описание
1	87438118	1	VENT, Air Conditioning and Heating
2	257059A2	1	PLATE, Support
3	281138A2	1	GUIDE, Plate
4	281139A1	1	GUIDE, Plate
5	246476A1	2	VENT, Air Plenum
6	275601A1	1	LINK,
7	86625075	1	NUT, LOCK, M4 x .7, CI 8,
8	86511042	1	SCREW, Cross Pan Hd, M4 x 16,
9	86511823	3	SCREW, Cross Pan Hd, M4 x 8,
10	86624179	1	WASHER, M4,
11	435474A1	3	BEARING, NYLON,
12	414161A2	1	CONSOLE, Front
13	87517381	1	STEERING ASSY, Support
14	86508616	2	BOLT, Hex, M6 x 12, 10.9,
15	277438A1	1	SUPPORT, Bracket
16	275602A1	1	ACTUATOR, Motor
17	280566A1	1	SUPPORT, Front Console
18	86639117	3	SCREW, SELF TAPPING, Pan Hd, M4.2 x 16,
19	86639037	4	BOLT, Hex, M6 x 16, 10.9,
20	281140A1	1	WASHER, Shoulder
21	86585706	1	SCREW, Cross Pan Hd, M4 x 10,
22	895-11010	4	WASHER, M10 x 20 x 2,
23	86500689	4	NUT, M10, CI 10,
24	414350A1	10	VENT, Small
25	301098A1	2	CLIP, Snap-In
26	86000535	1	PLUG, 1.427" x .62", Plastic, Switch, Without Ether Start
27	356717A1	1	TAPE, ADHESIVE,
28	87340325	1	SWITCH, Decleration
29	384786A2	2	FOAM, , Deluxe Cab
30	895-11006	2	WASHER, M6,
31	436276A1	3	SCREW, Button Hd
32	A67295	1	PLUG, Control Cable
33	436276A1	3	SCREW, M6
34	446687A1	2	FOAM, Louver Dampner
35	87437453	1	FOAM, Accoustical
36	87437455	1	FOAM, Accoustical
37	87437454	1	DECAL, Floor Sealing
38	87442532	1	SEAL,
39	829-1406	2	NUT, M6, CI 10,
40	87433404	1	PLATE, Access
41	843-1616	4	SCREW, Hex Flat Hd, M6 x 16, 4.8, Flg hd, M6 x 16, CL4.8
42	195-81023	3	WASHER, #12,
43	87561659	1	PLATE, MOUNTING, Decel Switch
44	401529A1	1	DECAL, Hole

09-22 MIRRORS



09-22 MIRRORS

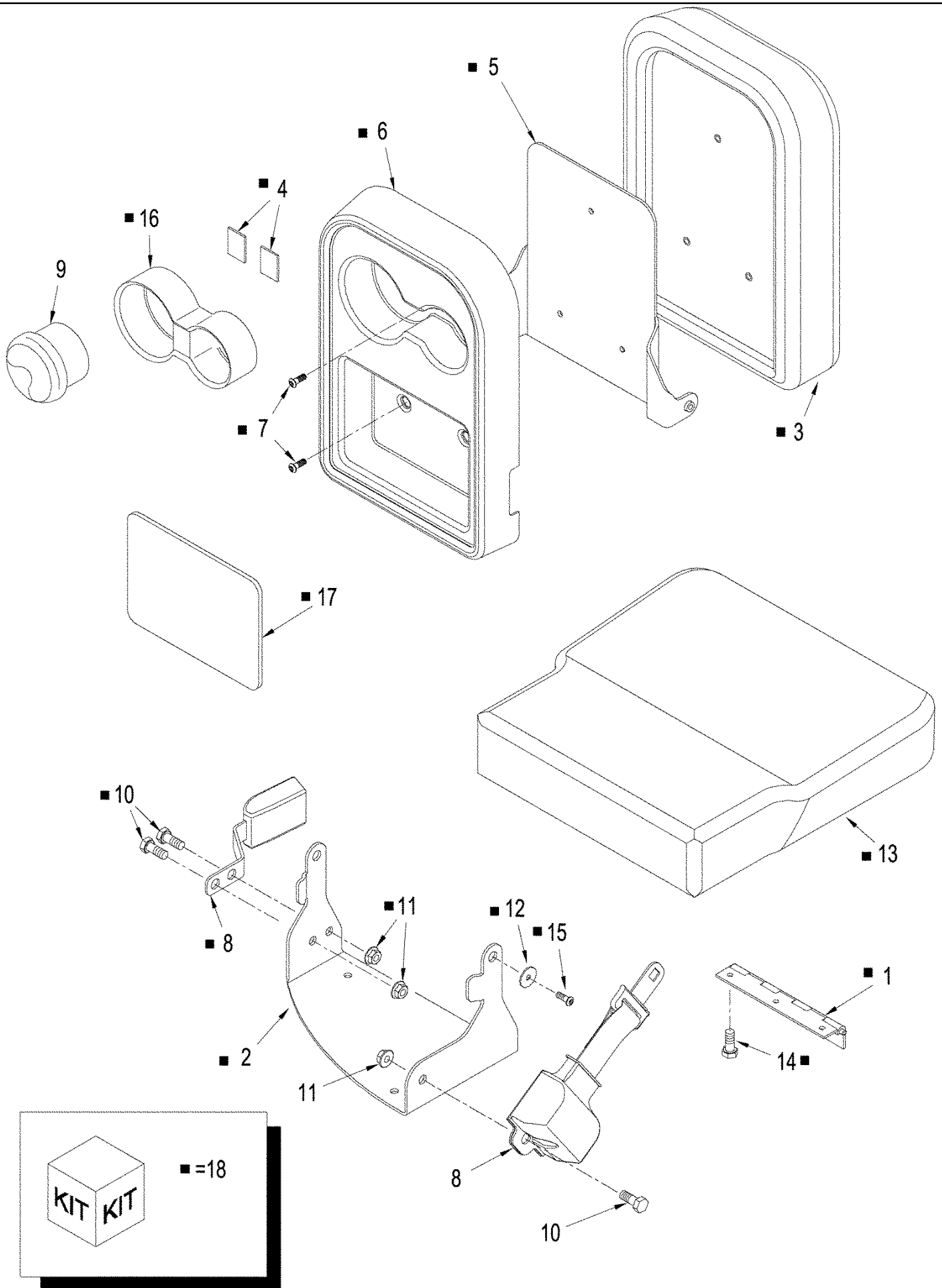
сылка	Номер детали	Кол-во	Описание
1	A177462	1	MIRROR, Interior, Inc. 2, 3
2	85700573	1	WASHER, LOCK, Ext Tooth, M6,
3	86642419	1	PIN, LOCK, 1/4" NF
4	87363073	1	ARM, Manual, RH
5	87363070	1	ARM, Manual, LH, Not Illustrated
6	514-865	4	BOLT, Hex, M12 x 80, 10.9,
7	86639330	4	WASHER, M12 x 24.5 x 3, HT,
8	87350494	2	MIRROR ASSY., Manual
9	87363082	1	ARM, RH, Electric
10	87363077	1	ARM, LH, Electric, Not Illustrated
11	412065	4	PIN, M12 x 80; 10.9
12	86639330	4	WASHER, M12 x 24.5 x 3, HT,
13	87363066	2	MIRROR, Electric
14	87674626	1	Electric Mirror
15	760-17113	4	SCREW, SELF TAPPING, Pan Hd, M3.5 x 13, Electric Mirror Cover
16	280627A1	1	SWITCH, Mirror Adjustment
17	280628A1	1	PLUG, with Electric Mirrors
18	353-422	2	PLUG, Dome, 1.250" hole, Nylon, without Electric Mirrors



T9040 4WD TRACTOR, ASN (8/07-) - Chassis/Attachments

09-23 SEAT - NON-INSTRUCTIONAL

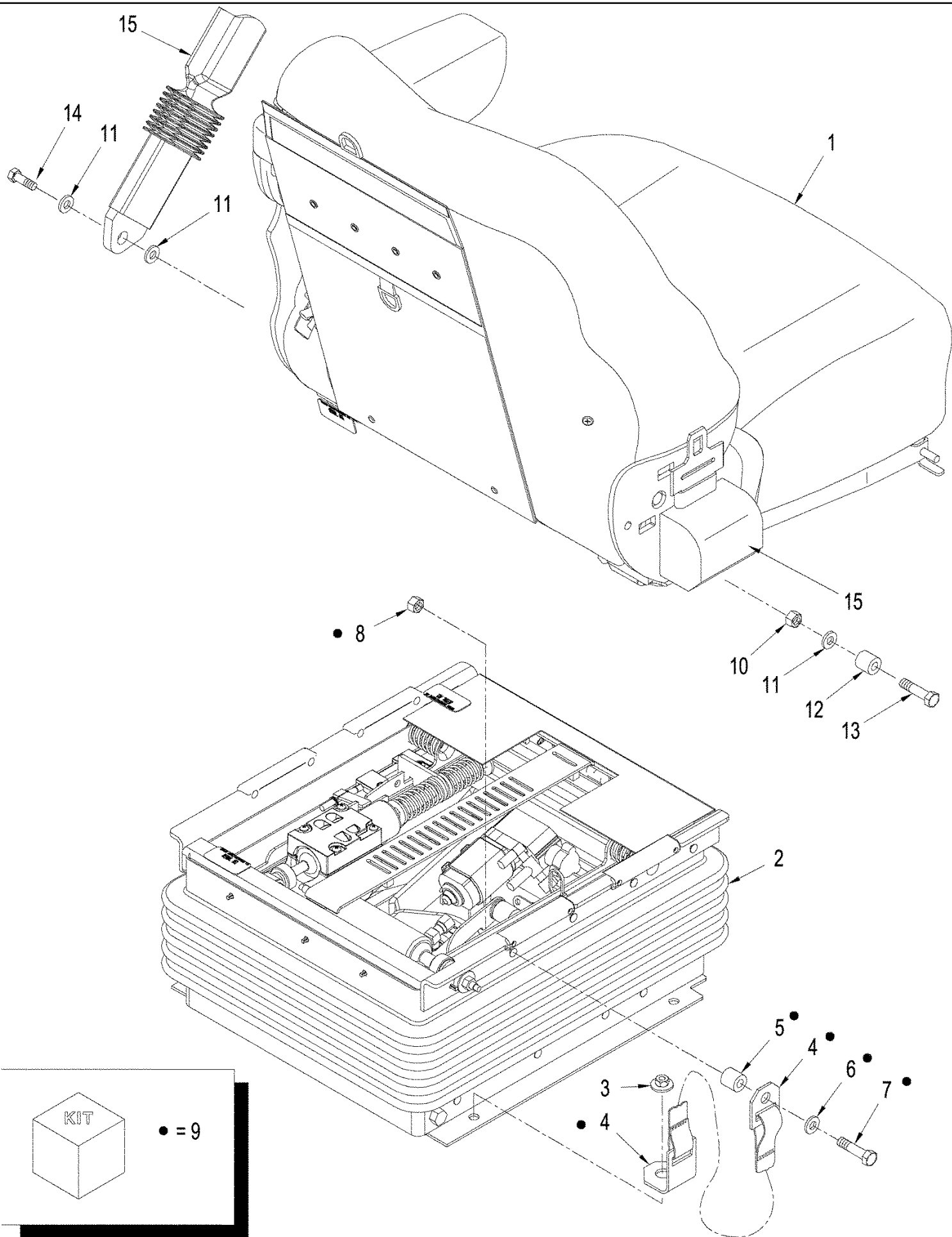
сылка	Номер детали	Кол-во	Описание
1	1961435C1	1	LATCH, Non-Instructional Seat
2	402710A1	1	TRAY, Storage, Non-Instructional Seat
3	1977929C1	1	STUD, Ball
4	86637656	2	RIVET, Pop, 1/8" x .337",
5	302456A1	1	ASH TRAY, If Used



09-24 SEAT - INSTRUCTIONAL

сылка	Номер детали	Кол-во	Описание
1	365674A1	1	HINGE, Instructional Seat
2	249707A2	1	BRACKET, Mounting, Instructional Seat
3	87439262	1	CUSHION, Backrest, Cloth
3	86984296	1	CUSHION, SEAT, Backrest, Leather
4	406682A1	2	FASTENER,
5	252928A2	1	BRACKET, Mounting, Seat Back
6	395132A1	1	TRAY,
7	86511931	3	SCREW, Cross Pan Hd, 1/4"-20 x 5/8",
8	281926A2	1	BELT, Seat
9	302456A1	3	ASH TRAY, If Used
10	9846677	3	BOLT, Hex, M10 x 25, 10.9, Full Thd,
11	9804278	3	NUT, M10 x 1.5, Flg, Cl 8,
12	86624183	2	WASHER, M6 x 25 x 1.6,
13	86990053	1	CUSHION, Seat, Cloth
13	86984293	1	CUSHION, SEAT, Leather
14	281032	3	BOLT, Hex, 1/4"-20 x 3/4", G8, Full Thd,
15	906051R1	2	SCREW, Hex Soc But Hd, M6 x 1 x 10, 12.9,
16	369635A2	1	HOLDER, Cup Holder
17	394828A1	1	PLATE, Tray Liner
18	719528013	1	KIT, Instructional Seat, Cloth

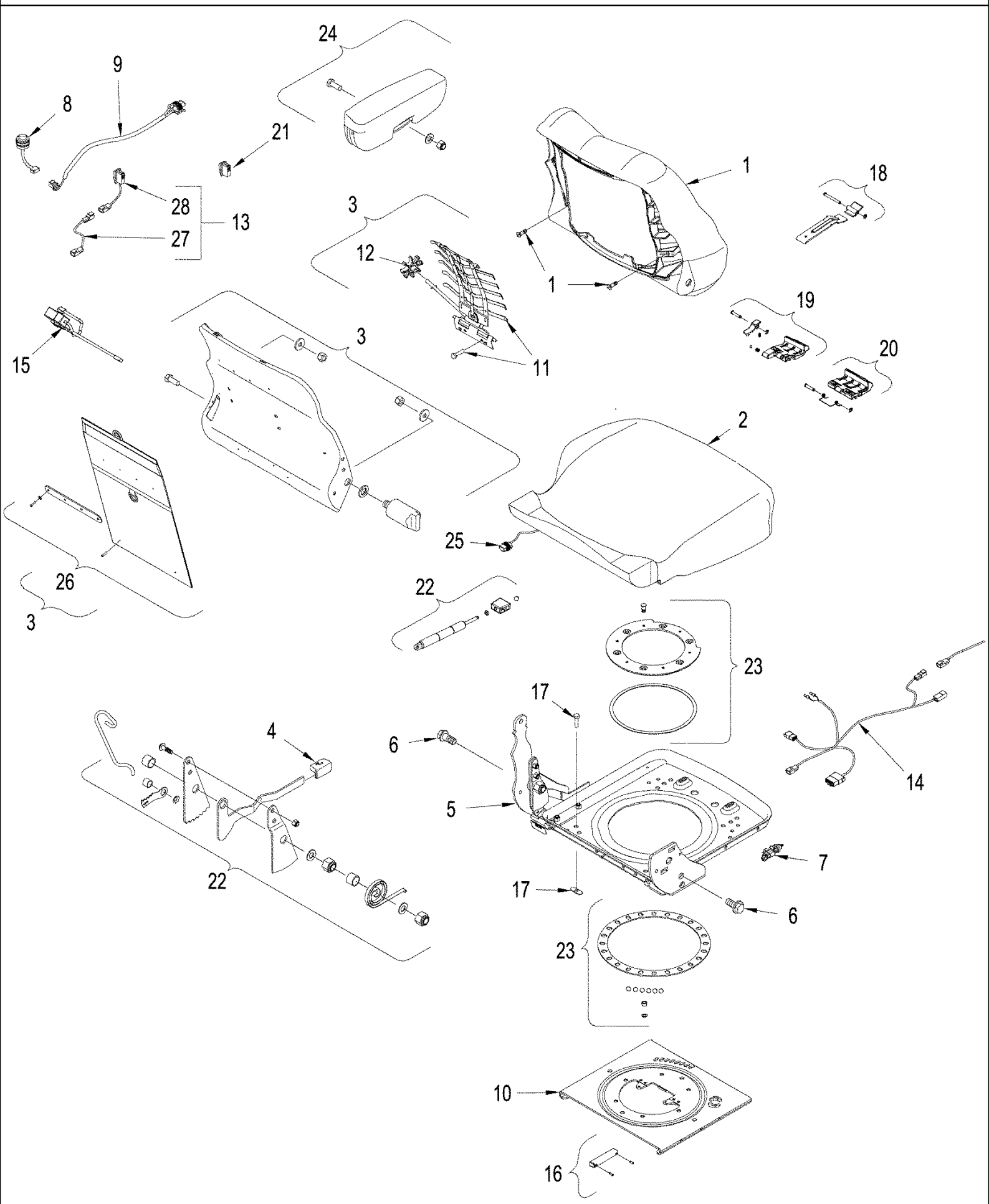
09-25 SEAT - OPERATORS



09-25 SEAT - OPERATORS

сылка	Номер детали	Кол-во	Описание
1	87553809	1	SEAT ASSY., Cloth, without Heat, See Figure: 09-26
1	87553811	1	SEAT ASSY., Cloth, Heated, See Figure: 09-26
1	87553441	1	SEAT ASSY., Cloth, Heated, Semi-Active, See Figure: 09-26
1	87553443	1	SEAT ASSY., Leather, Heated, Semi-Active, See Figure: 09-26
2	87395380	1	SUSPENSION, Suspension, See Figure: 09-27
2	87395381	1	SUSPENSION, Suspension, Semi-Active, See Figure: 09-28
3	9804277	4	NUT, M8 x 1.25, Flg, CI 8, , Used on Scrapper Models
4	389277A1	2	BELT, Safety, Tether, Used on Scrapper Models
5	NSS	2	NOT SERVICED SEPARATELY, Spacer, Used on Scrapper Models
6	87039401	2	WASHER, 13/32" x 13/16" x .134", HDN,
7	86575418	2	BOLT, Hex, 3/8"-16 x 2 1/4", G8,
8	87039402	2	NUT, LOCK, 3/8"-16, GB,
9	87431487	1	KIT, FIP, Tether Belt, Used on Scrapper Models
10	337475	1	NUT, M12, CI 10,
11	86625255	3	WASHER, M13.5 x 24.5 x 3, HT,
12	87313413	1	TUBE SPACER, Steel, .875" x .5"
13	87015314	1	BOLT, Hex, Lock, M12 x 40, CI 10.9,
14	806-12030	1	BOLT, Hex, Lock, M12 x 30, CI 10.9,
15	444877A1	1	SEAT BELT,

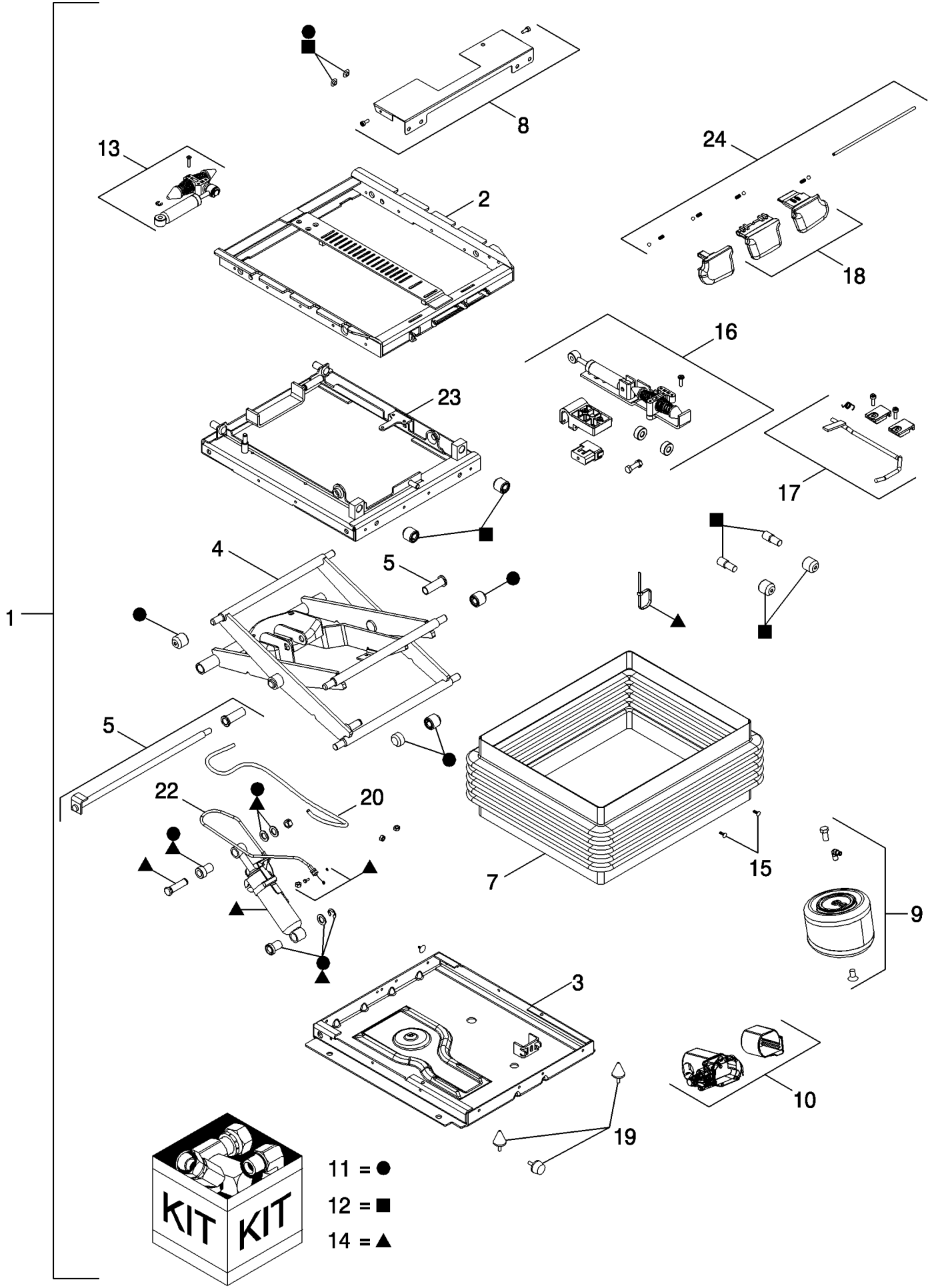
09-26 SEAT - CUSHION ASSEMBLY



09-26 SEAT - CUSHION ASSEMBLY

сылка	Номер детали	Кол-во	Описание
	87553809	1	SEAT ASSY., Cloth, without Heat, Inc. 1 - 7, 10 - 12, 16 - 24
	87553811	1	SEAT ASSY., Cloth, Heated, Inc. 1 - 24
	87553441	1	SEAT ASSY., Cloth, Heated, 3 Position, Positive Response Suspension, Inc. 1 - 24
	87553443	1	SEAT ASSY., Leather, Heated, Inc. 1 - 24
1	86994150	1	SEAT ASSY., Backrest, Cloth, without Heat
1	87395383	1	CUSHION, Backrest, Cloth, Heated
1	87397612	1	CUSHION, Leather, Heated
2	87347890	1	SEAT, BACK, Cloth, Without Heat
2	87395382	1	CUSHION, SEAT, Cloth, Heated
2	87397611	1	CUSHION, Leather, Heated
3	86994155	1	ASSEMBLY, Seat Back, with Lumber & Pouch
4	87416475	1	KNOB, Recline Control
5	87590287	1	SUPPORT, Lower, Pan, Seat
6	86512499	1	NUT, M20 x 2.5, Flg, CI 10,
7	87300397	1	SWITCH, Seat, Air Control
8	87395388	1	SWITCH, Heater, 3 Position, Round Rocker
9	87395390	1	HARNESS, Heater, Center Section
10	87347956	1	KIT, SERVICE, Lower Swivel
11	87308130	1	SEAT BACK ADJUST. DEVICE, Lumbar, Inc. 12
12	87037462	1	SEAT BACK ADJUST. DEVICE, Lumbar Knob
13	87347958	1	KIT, SERVICE, Operators Ride Control, Positive Response Suspension, Inc. 27 & 28
14	87347944	1	KIT, SERVICE, Harness, Suspension
15	87395389	1	CONTROL, Heater, Resistor
16	302016A1	1	PACKAGE, SERVICE, Slide Pucks
17	86639024	1	SCREW, Hex Soc, Shoulder, M10 12 X 30mm, CI12.9,
18	87347934	1	LATCH, Seat Slide
19	87347942	1	KIT, SERVICE, Swivel Control
20	87347941	1	KIT, SERVICE, Fore / Aft Slide Control
21	87347940	1	KIT, SERVICE, Height Control
22	86994165	1	SEAT ACCESSORY, Recliner Control
23	87347936	1	KIT, SERVICE, Swivel
24	87347939	1	KIT, SERVICE, Armrest, Left-Hand, Cloth, without Heat
24	86994250	1	ARMREST, Armrest, Left-Hand, Cloth, Heated
25	87300397	1	SWITCH, Operator Presence
26	86994172	1	KIT, SERVICE, Manual Holder
27	87626130	1	HARNESS, Operator Ride Control
28	87611650	1	SWITCH, Operator Ride Control

09-27 SEAT - SUSPENSION ASSEMBLY

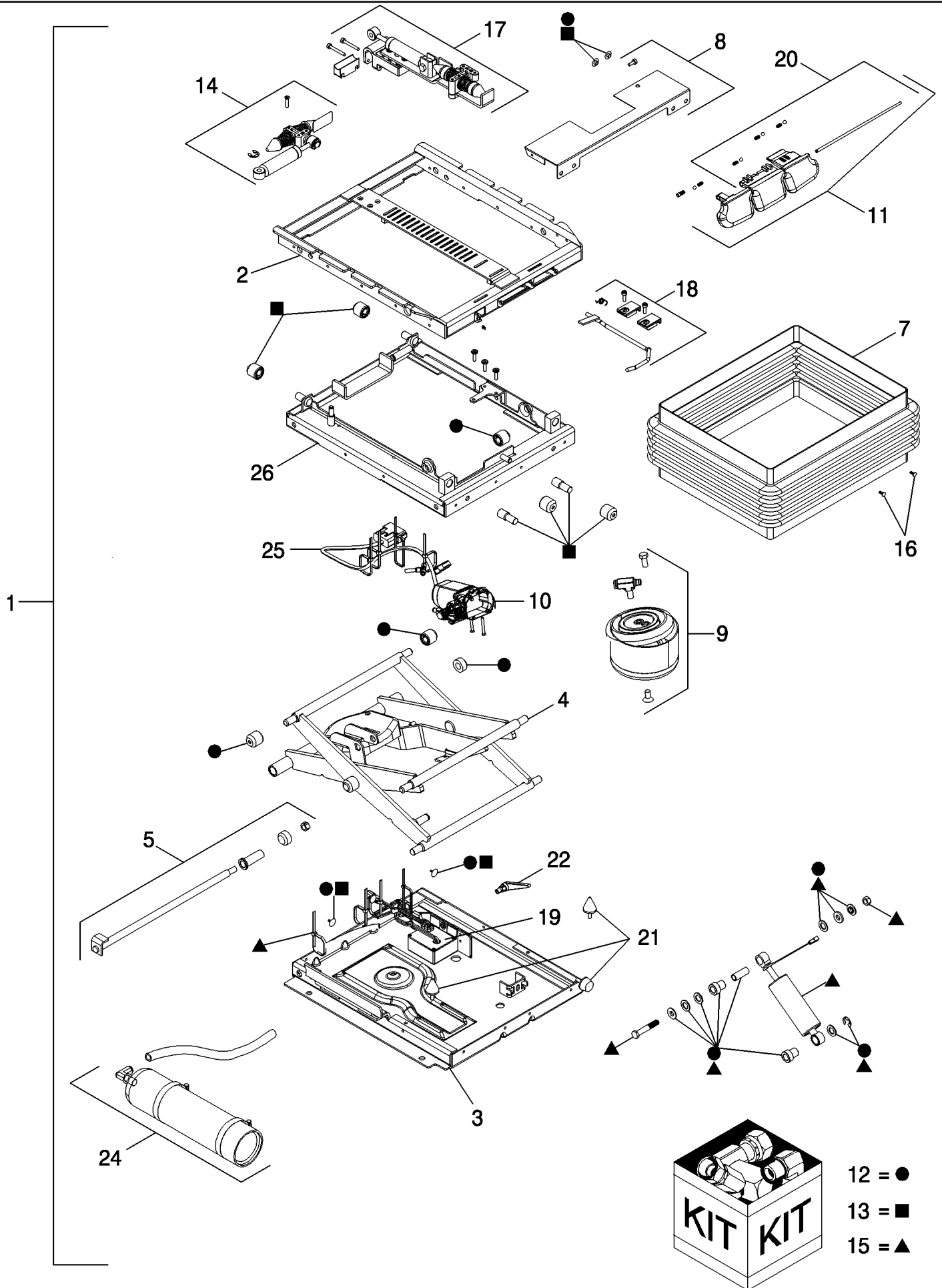


- 11 = ●
- 12 = ■
- 14 = ▲

09-27 SEAT - SUSPENSION ASSEMBLY

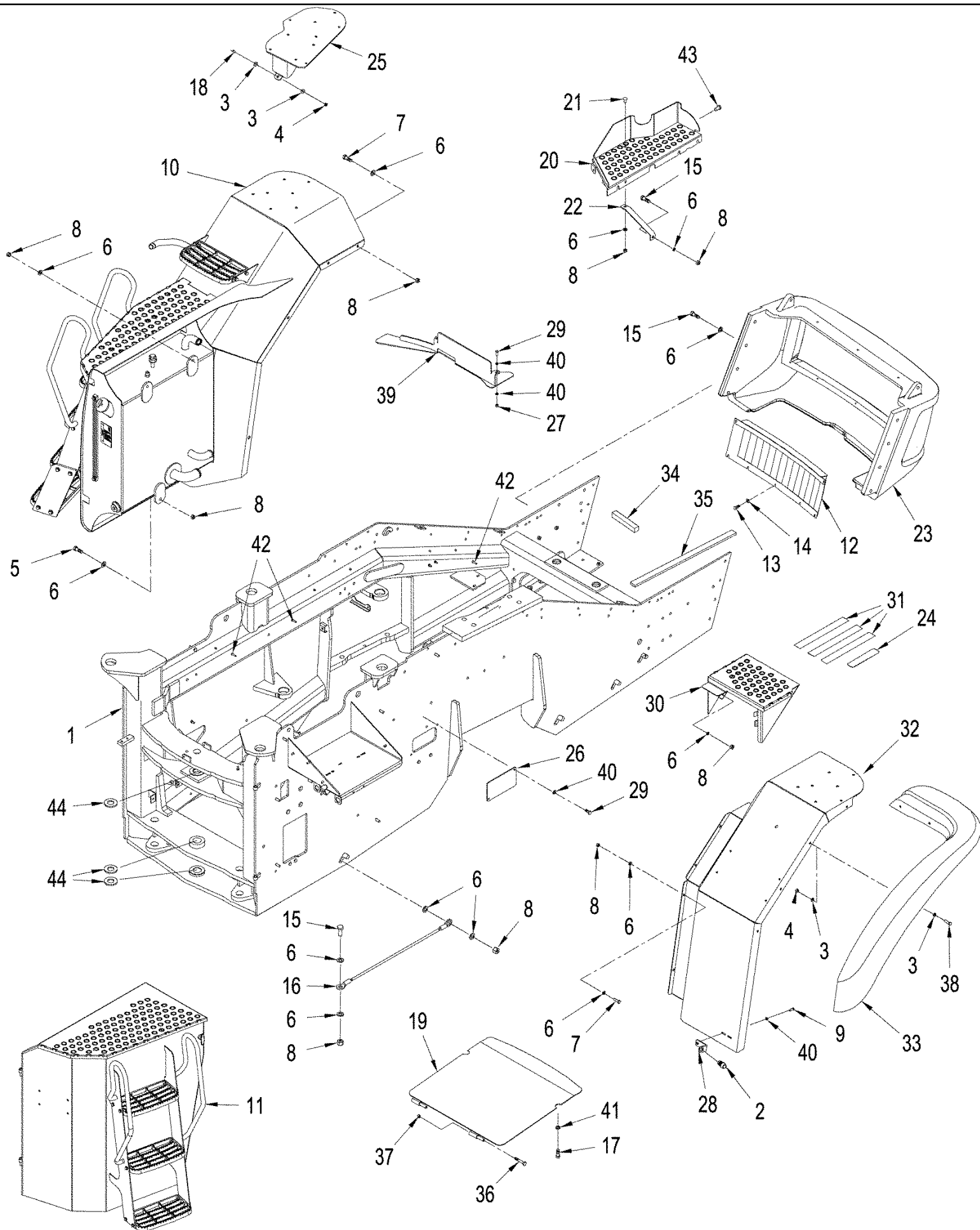
сылка	Номер детали	Кол-во	Описание
1	87395380	1	SUSPENSION, Inc. 2 - 24
2	87395392	1	HOUSING, Lateral Isolator, Upper
3	333275A1	1	HOUSING, Lower
4	333276A1	1	ARM, Scissor
5	302033A1	1	SHAFT, Bearing
6	87347944	1	KIT, SERVICE, Harness, Seat Suspension, Not Shown, See Figure: 09-26
7	87347943	1	KIT, SERVICE, Suspension Boot
8	302029A2	1	PLATE, Cover, Upper Housing
9	333279A2	1	KIT, Air Spring
10	87347951	1	KIT, SERVICE, Air Compressor
11	87347945	1	KIT, SERVICE, Suspension Bearing and Rollers
12	87347946	1	KIT, SERVICE, Isolator Rollers
13	87395394	1	ISOLATOR, Lateral Isolator Shock Absorber
14	447956A1	1	PACKAGE, SERVICE, Suspension Shock Absorber
15	333659A1	1	PACKAGE, SERVICE, Boot Pin
16	87395395	1	ISOLATOR, Fore and Aft Shock Absorber
17	373470A2	1	PACKAGE, SERVICE, Fore and Aft Isolator Control
18	373473A1	1	PACKAGE, SERVICE, Lateral Isolator Control
19	333295A1	1	PACKAGE, SERVICE, Suspension Bumper
20	87396231	1	TUBE, PLASTIC-RUBBER, Tube and Fitting
21	333296A1	1	PACKAGE, SERVICE, Fore and Aft Isolator Shock Block, Not Shown
22	87347955	1	CABLE, Suspension Shock Cable
23	87395393	1	HOUSING, Upper Lateral Isolater
24	373469A1	1	PACKAGE, SERVICE, Knobs, Suspension

09-28 SEAT - SEMI ACTIVE SUSPENSION ASSEMBLY



09-28 SEAT - SEMI ACTIVE SUSPENSION ASSEMBLY

сылка	Номер детали	Кол-во	Описание
1	87395381	1	SUSPENSION, Inc. 2 - 26
2	87395392	1	HOUSING, Lateral Isolator, Upper
3	86994256	1	HOUSING, Lower
4	86994258	1	ARM, Scissor
5	302033A1	1	SHAFT, Bearing
6	87347944	1	KIT, SERVICE, Harness, Seat Suspension, Not Shown, See Figure: 09-26
7	87347943	1	KIT, SERVICE, Suspension Boot
8	302029A2	1	PLATE, Cover, Upper Housing
9	333279A2	1	KIT, Air Spring
10	87347951	1	KIT, SERVICE, Compressor
11	87407047	1	KIT, SERVICE, Knobs
12	87347945	1	KIT, SERVICE, Suspension Bearing and Rollers
13	87347946	1	KIT, SERVICE, Isolator Rollers
14	87395394	1	ISOLATOR, Lateral Isolator Shock Absorber
15	86994260	1	KIT, SERVICE, Shock
16	333659A1	1	PACKAGE, SERVICE, Boot Pin
17	87395395	1	ISOLATOR, Fore and Aft Shock Absorber
18	373470A2	1	PACKAGE, SERVICE, Fore and Aft Isolator Control
19	87395396	1	DAMPER, Control Kit
20	373473A1	1	PACKAGE, SERVICE, Lateral Isolator Control
21	333295A1	1	PACKAGE, SERVICE, Suspension Bumper
22	86994267	1	LEVER, Suspension Shock Cable
23	333296A1	1	PACKAGE, SERVICE, Fore and Aft Isolator Shock Block (Not Shown)
24	87347960	1	KIT, SERVICE, Air Tank
25	87396231	1	TUBE, PLASTIC-RUBBER, Air Tank Hose
26	87395393	1	HOUSING, Lateral Isolator, Upper

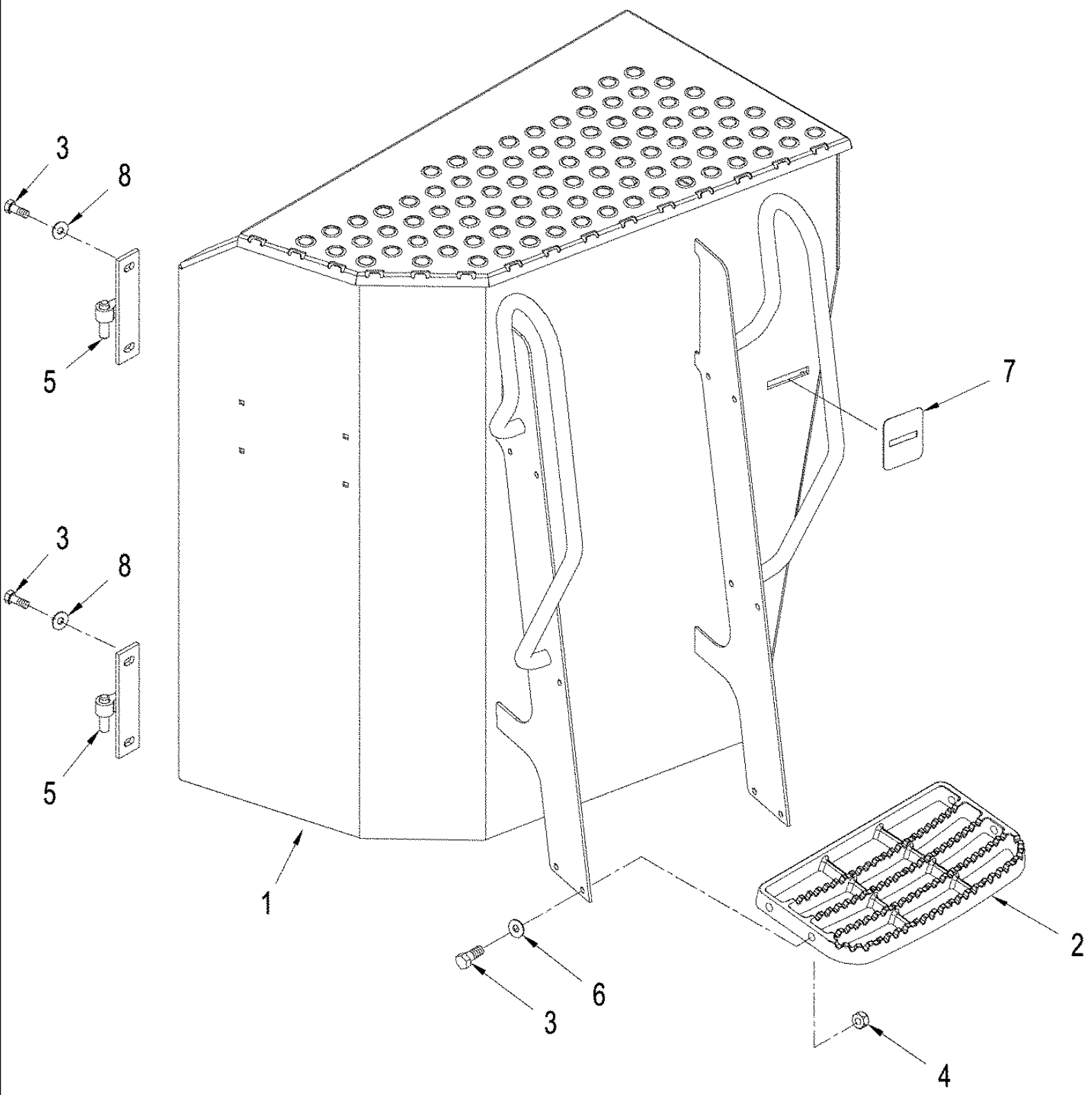


T9040 4WD TRACTOR, ASN (8/07-) - Chassis/Attachments

09-29 FRONT FRAME, T9030 / 9040

сылка	Номер детали	Кол-во	Описание
1	87407729	1	FRAME ASSY, Front
2	363226A1	2	BUMPER, Rubber
3	86625253	28	WASHER, M11 x 24 x 2,
4	86500689	6	NUT, M10, CI 10,
5	627-12045	1	BOLT, Hex, M12 x 45, 10.9, Full Thd,
6	86625255	33	WASHER, M13.5 x 24.5 x 3, HT,
7	9824642	12	BOLT, Hex, M12 x 35, 10.9,
8	337475	24	NUT, M12, CI 10,
9	43234	3	BOLT, Hex, M8 x 25, 10.9,
10	NSS	1	NOT SERVICED SEPARATELY, Tank Assy, Hydraulic, See Figure: 08-16
11	NSS	1	NOT SERVICED SEPARATELY, Door Assy, Battery, RH, See Figure: 09-32
12	413475A1	1	SCREEN, Bumper
13	627-6016	7	BOLT, Hex, M6 x 16, 10.9,
14	895-15006	7	WASHER, M6 x 25 x 1.6,
15	627-12040	13	BOLT, Hex, M12 x 40, 10.9, Full Thd,
16	87372424	1	RETAINER, CABLE,
17	627-10025	1	BOLT, Hex, M10 x 25, 10.9, Full Thd,
18	9846677	1	BOLT, Hex, M10 x 25, 10.9, Full Thd,
19	87309871	1	COVER, DOOR, Access
20	87528060	1	STEP, Front Frame
21	374895	1	BOLT, CARRIAGE, Short NK, M12 x 25, CI8.8, Full Thd,
22	87522173	1	GUSSET,
23	413470A1	1	BUMPER, Rubber
24	D55216	1	STRIP, ANTI-SKID, Non-Slip
25	87444725	1	SUPPORT, Air Intake
26	87443717	1	COVER, Access
27	832-10408	2	NUT, LOCK, M8 x 1.25, CI 8,
28	443357A1	1	BRACKET, Door Stop
29	627-8025	10	BOLT, Hex, M8 x 25, 10.9,
30	87316943	1	STEP, With Fender
31	D55216	3	STRIP, ANTI-SKID, Anti-Skid
32	87318292	1	FRONT FENDERS 4WD, RH
33	397308A3	1	FENDER, Flare, RH, Front
34	396412A1	2	STRIP, RUBBER,
35	328197A1	3	SEAL, Foam
36	86639151	1	BOLT, Hex, M12 x 120, 10.9,
37	412126	1	NUT, LOCK, M12 x 1.75, CI 8,
38	86624978	6	BOLT, Hex, M10 x 35, 10.9, Full Thd,
39	87386271	1	SHIELD, Trash
40	86624185	8	WASHER, M8 x 17.5 x 2, HT,
41	895-11010	2	WASHER, M10 x 20 x 2,
42	426285A1	42	STUD, Threaded
43	384163A1	1	PLUG, PLASTIC,
44	87591684	3	WASHER, Front Frame Articulation Hinge

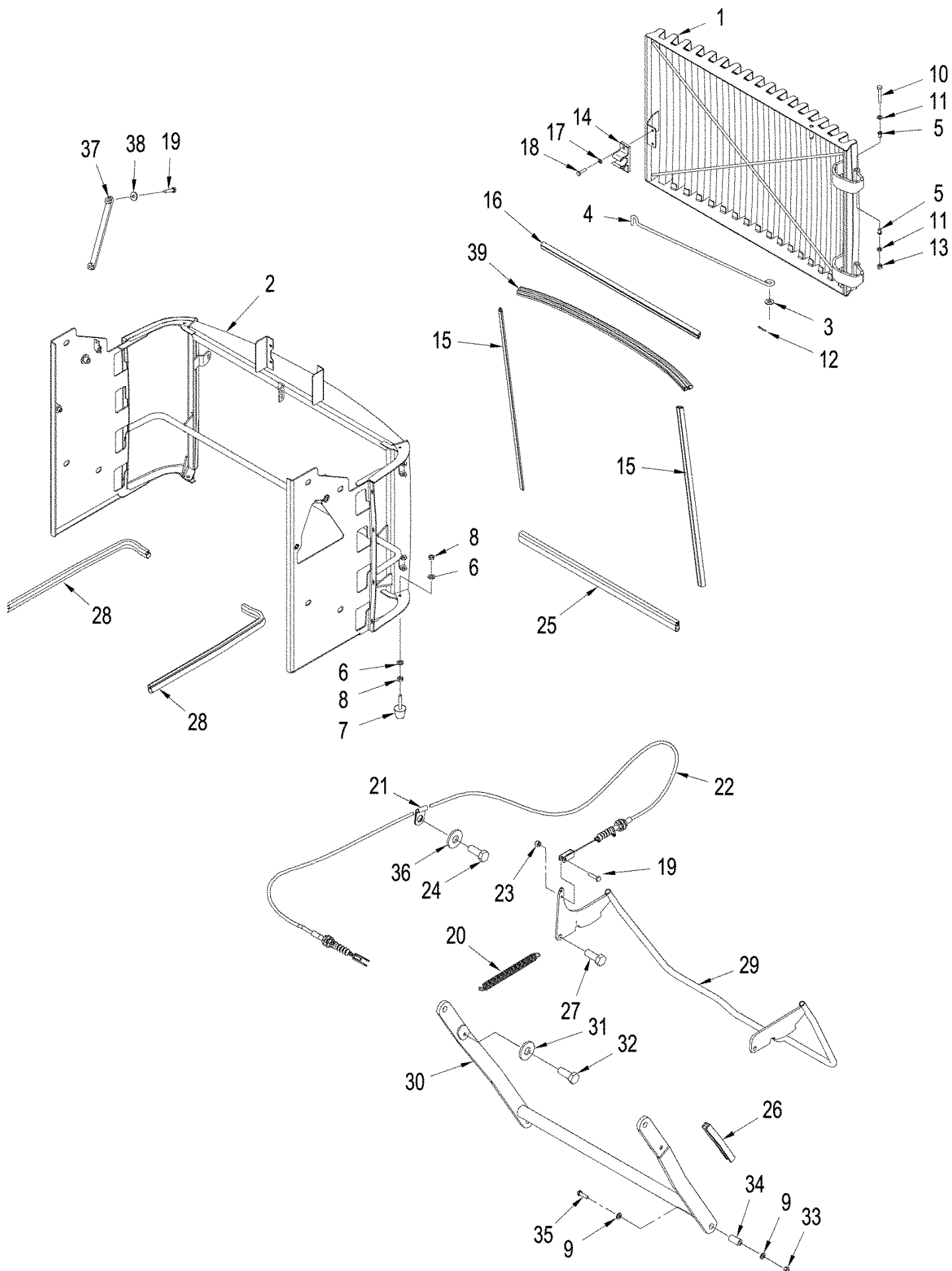
09-32 BATTERY DOOR



09-32 BATTERY DOOR

сылка	Номер детали	Кол-во	Описание
1	87643520	1	COVER, DOOR, Battery
2	87301185	3	STEP, Battery Door
3	86624978	16	BOLT, Hex, M10 x 35, 10.9, Full Thd,
4	86514720	12	NUT, LOCK, M10, CL8
5	87582012	2	PLATE, Door Hinge
6	895-11010	12	WASHER, M10 x 20 x 2,
7	87613511	1	DECAL, Lock Cover
8	896-15010	4	WASHER, M10 x 24.5 x 3, HT,

09-33 GRILLE



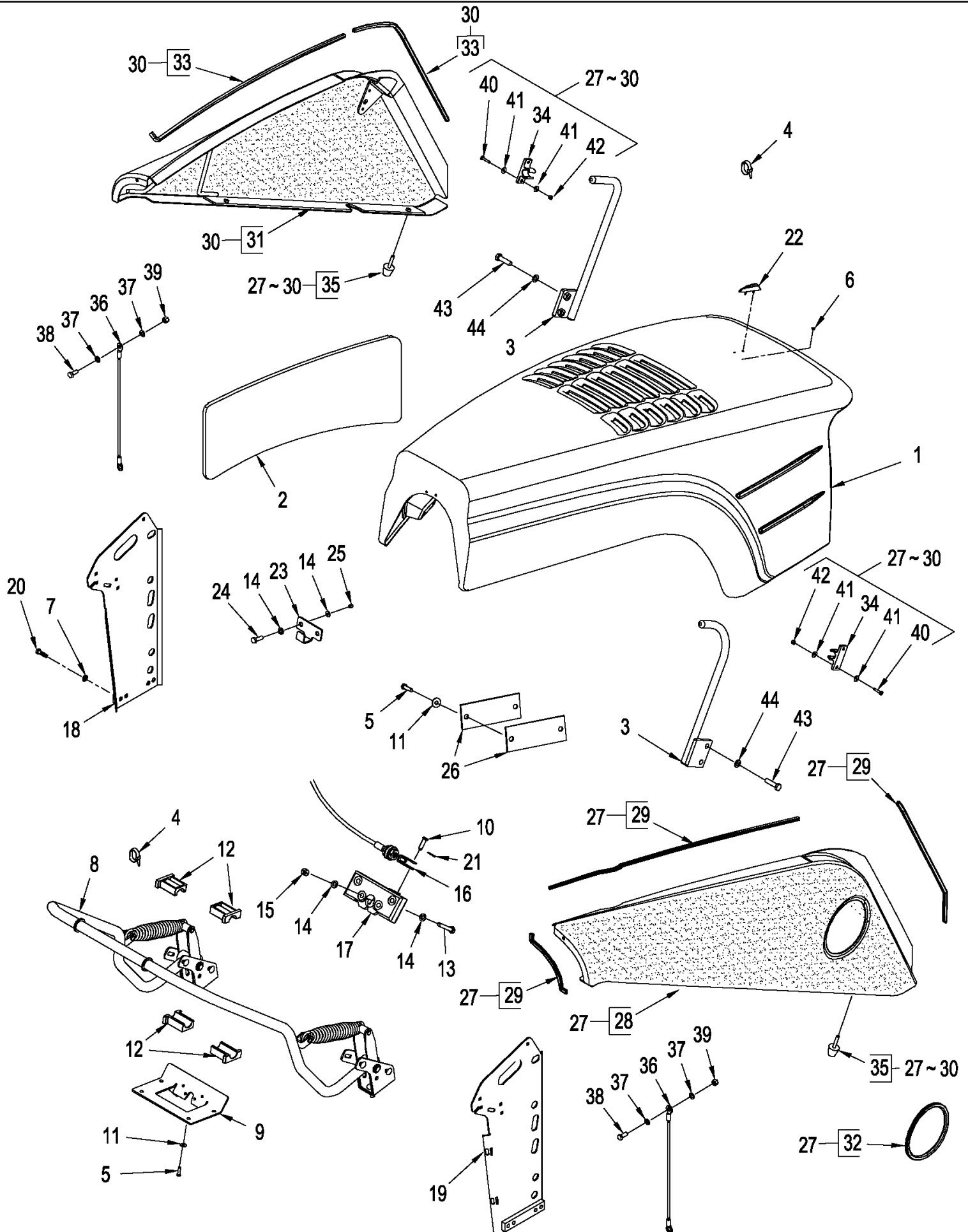
T9040 4WD TRACTOR, ASN (8/07-) - Chassis/Attachments

09-33 GRILLE

сылка	Номер детали	Кол-во	Описание
1	87646837	1	Door, T9030 / 9040
1	87646833	1	Door, T9050 / 9060
2	87646836	1	Frame, T9030 / 9040
2	87646825	1	Frame, T9050 / 9060
3	86625254	1	WASHER, M12 x 28 x 2.5,
4	87314942	1	ROD, Grille Prop
5	529761R1	4	BUSHING,
6	86625252	6	WASHER, M10 x 21.5 x 2.5, HT,
7	86625005	2	BOLT, Hex, M8 x 60, 10.9, Rubber
8	86500689	2	NUT, M10, CI 10,
9	86625255	4	WASHER, M13.5 x 24.5 x 3, HT,
10	827-8060	2	BOLT, Hex, M8 x 60, 10.9,
11	895-11008	4	WASHER, M8 x 16 x 1.6,
12	733-4020	1	PIN, SPLIT (COTTER), M4 x 20,
13	832-10408	2	NUT, LOCK, M8 x 1.25, CI 8,
14	87312706	1	CLIP,
15	395578A1	2	SEAL, Grille, LH & RH Sides, 558 mm (22"), Cut From : 353729A1
16	352768A1	1	SEAL, Foam, T9030 / 9040
16	87439824	1	SEAL, Foam, T9050 / 9060
17	895-11005	2	WASHER, M5 x 10 x 1,
18	614-5020	2	BOLT, Hex, M5 x 20, 8.8, Full Thd,
19	86639038	9	BOLT, Hex, M6 x 25, 10.9,
20	L106237	1	SPRING,
21	86639008	1	CLAMP, 1/4", Insul, 1/2" Bolt,
22	443297A1	1	CABLE PULLING GRIP, Hood Latch
23	393392	1	NUT, LOCK, M6 x 1, CI 8,
24	43260	6	BOLT, Hex, M12 x 30, 10.9,
25	440891A1	1	SEAL, Upper Grille, Cut From : 436609A1, T9030 / 9040
25	87575617	1	SEAL, Upper Grille, Cut From : 436609A1, T9050 / 9060
26	388554A1	2	GROMMET, 127 mm (5"), Cut From : 443080A1
27	357893A1	2	SCREW,
28	412557A1	2	SEAL, RUBBER, 581 mm (23")
29	87577001	1	LEVER, Safety Arm, T9030 / 9040
29	87577002	1	LEVER, Safety Arm, T9050 / 9060
30	414503A1	1	ARM ASSY., Hood, T9030 / 9040
30	87311749	1	ARM ASSY., Hood, T9050 / 9060
31	86625253	2	WASHER, M11 x 24 x 2,
32	9861444	2	BOLT, Hex, M10 x 20, 10.9, Full Thd,
33	337475	4	NUT, M12, CI 10,
34	316937A1	2	SPACER,
35	43263	2	BOLT, Hex, M12 x 60, 10.9,
36	86639325	6	WASHER, M10 x 24.5 x 3, HT,
37	356813A2	4	BRACKET, SUPPORTING, Nut Strip
38	86624182	8	WASHER, M6 x 18 x 1.6,
39	440890A1	1	SEAL, Foam, T9030 / 9040

09-33 GRILLE

сылка	Номер детали	Кол-во	Описание
39	87440015	1	SEAL, Foam, T9050 / 9060

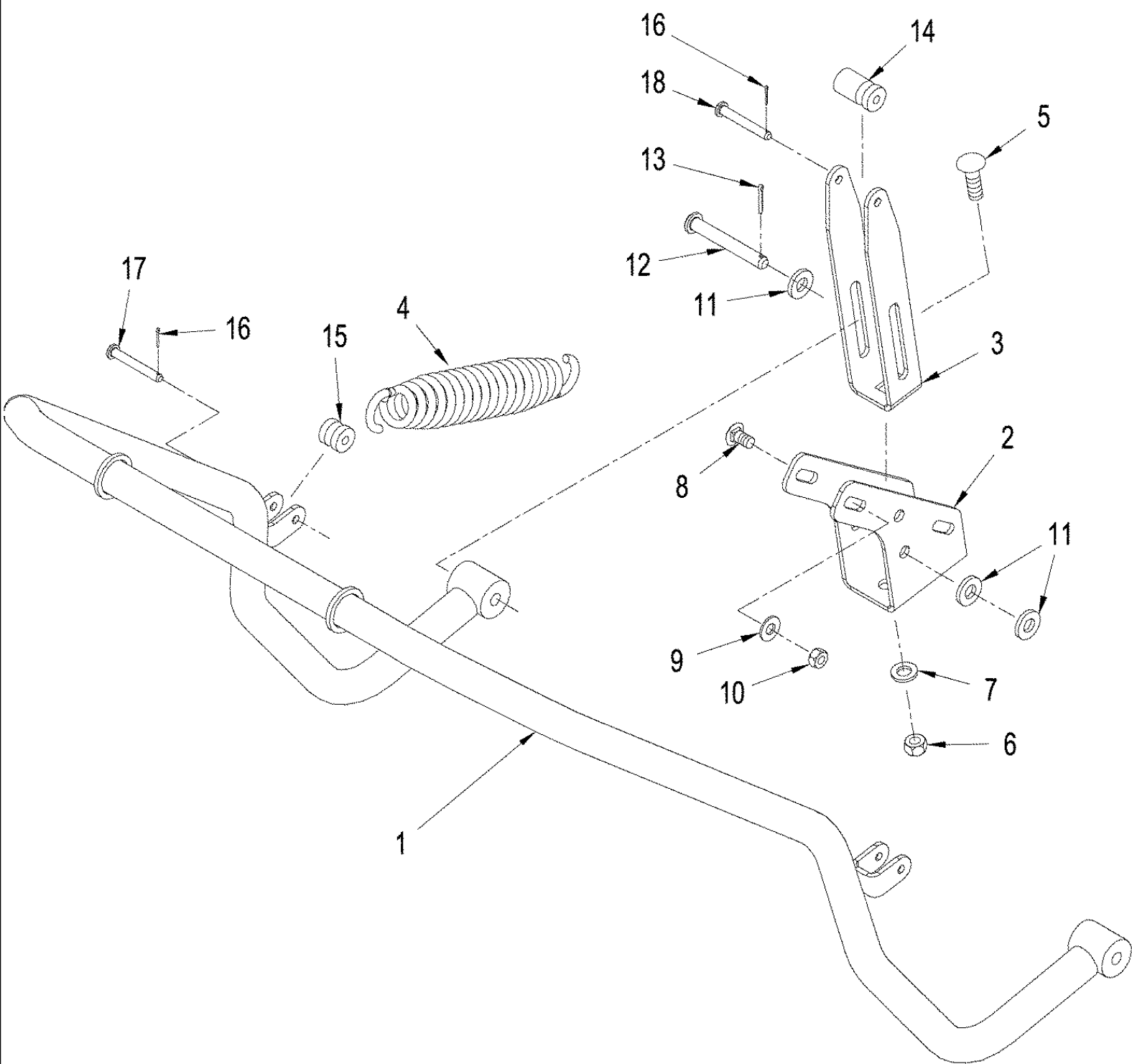


T9040 4WD TRACTOR, ASN (8/07-) - Chassis/Attachments

09-34 HOOD AND SUPPORT, T9030 / 9040

сылка	Номер детали	Кол-во	Описание
1	87443686	1	HOOD ASSY., Engine
2	87445180	1	INSULATION, FOAM, Hood
3	87313225	1	ARM, Debris Screen, w/ Lock
4	435437A1	2	STRAP, CABLE, 3/16" x 7 1/4",
5	87317695	4	BOLT, Hex, M6 x 30, 10.9, Full Thd,
6	86625060	2	NUT, Self, Threading, 1/4",
7	86625255	8	WASHER, M13.5 x 24.5 x 3, HT,
8	339543A2	1	ARM, Lift, See Figure: 09-35
9	87367456	1	BRACKET, Hood Latch
10	86639105	1	PIN, CLEVIS, M6 x 20, 6 x 20 mm
11	86624182	8	WASHER, M6 x 18 x 1.6,
12	314842A3	4	BEARING,
13	86639188	4	BOLT, Hex, M6 x 40, 10.9,
14	86624181	10	WASHER, M6,
15	86514335	4	NUT, LOCK, CL 10, M6 x 1
16	443297A1	1	CABLE PULLING GRIP, Hood Latch
17	318159A1	1	LATCH, Hood
18	87303387	1	SUPPORT, Radiator, LH
19	87303386	1	SUPPORT, Radiator, RH
20	80337563	8	SCREW, Cap, HH, CL 10.9, M12 x 1.75 x 40
21	86639114	1	PIN, SPLIT (COTTER), M1.6 x 10,
22	87353799	1	GUIDE, Hood Sight
23	87549767	1	BRACKET, SUPPORTING, Air Cleaner Cover
24	627-6020	2	BOLT, Hex, M6 x 20, 10.9,
25	829-1406	2	NUT, M6, CI 10,
26	87307537	4	PLATE,
27	87524895	1	SCREEN, Assy., Engine Debris, RH, Inc. 28, 29, 32, 34, 35, & 40 - 42
28	NSS	1	NOT SERVICED SEPARATELY, Screen, Engine Debris, RH
29	87313245	1	SOFT TRIM, RH, 1923 mm (76"), Cut From: 87371080
30	87313250	1	SCREEN, Assy., Engine Debris, LH, Inc. 31, 33 - 35 & 40 - 42
31	NSS	1	NOT SERVICED SEPARATELY, Screen, Engine Debris, LH
32	87313230	1	SOFT TRIM, Dipstick Hole, 476mm (18 - 3/4 in), Cut from: 87371080
33	87425602	1	MOLDING, Debris Sceen, LH, 1923mm (76"), Cut from: 87371080
34	87312706	1	CLIP,
35	87315570	2	MOUNT, RUBBER, SPACER
36	87422371	2	CABLE, Debris Screen
37	86511315	4	WASHER, M8 x 16 x 1.6,
38	120104	2	SCREW, Hex, M8 x 20, 8.8,
39	86528579	2	NUT, LOCK, M8 x 1.25, CI 10,
40	614-5020	2	BOLT, Hex, M5 x 20, 8.8, Full Thd,
41	895-11005	2	WASHER, M5 x 10 x 1,
42	832-10405	2	NUT, LOCK, M5 x .8, CI 8,
43	827-10040	4	BOLT, Hex, M10 x 40, 10.9, Full Thd,
44	895-11010	4	WASHER, M10 x 20 x 2,

09-36 HOOD - LIFT ARM

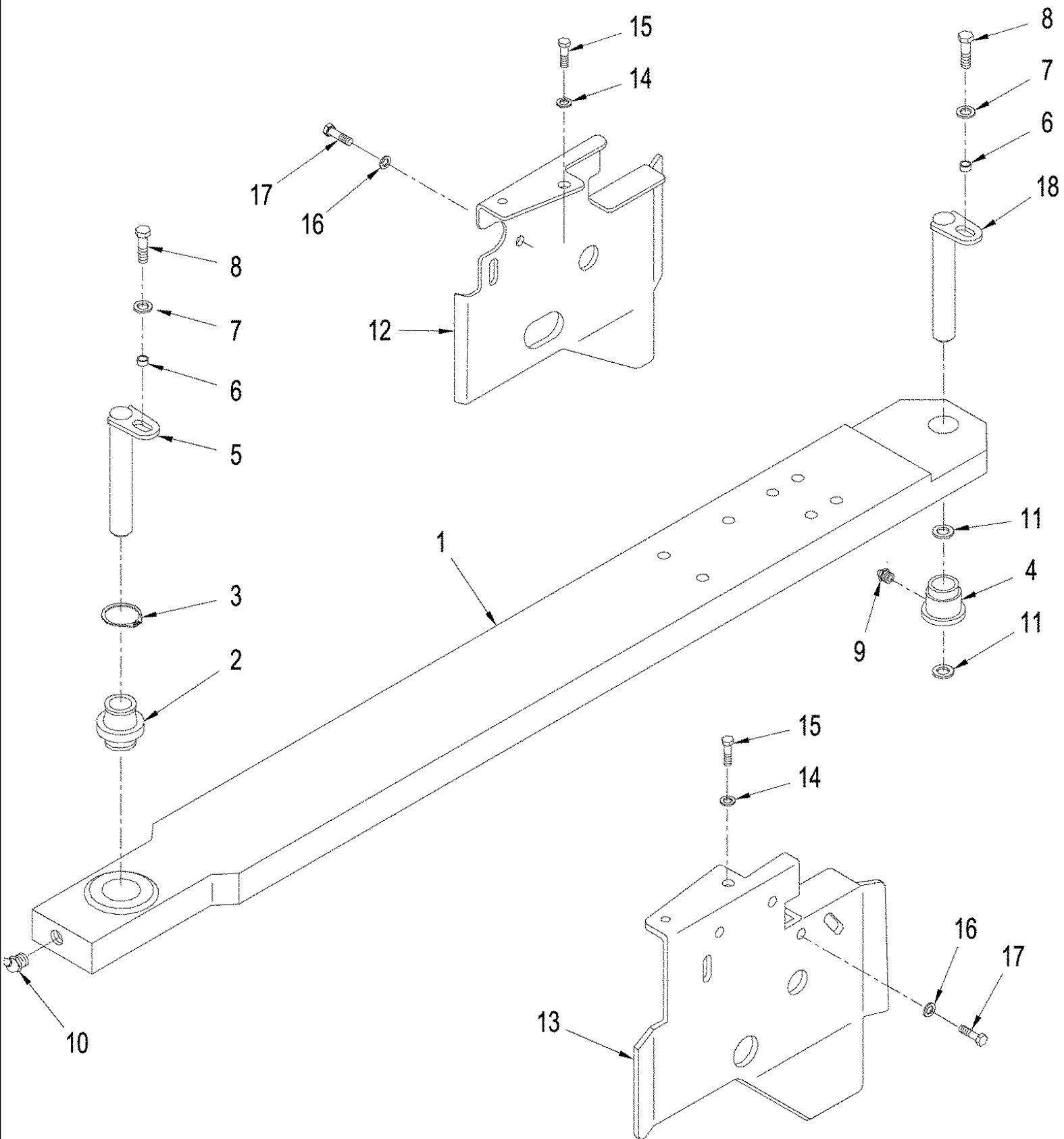


T9040 4WD TRACTOR, ASN (8/07-) - Chassis/Attachments

09-36 HOOD - LIFT ARM

сылка	Номер детали	Кол-во	Описание
1	339543A2	1	ARM, Lift, T9030 / 9040
1	87532171	1	ARM, SUPPORTING, Lift, T9050 / 9060
2	339551A1	2	BRACKET,
3	339547A1	2	CLEVIS, ADJUSTABLE,
4	339549A1	2	SPRING, COIL,
5	328754	2	BOLT, CARRIAGE, Short NK, M12 x 40, CI8.8, Full Thd,
6	337475	2	NUT, M12, CI 10,
7	86625255	2	WASHER, M13.5 x 24.5 x 3, HT,
8	V43471	4	BOLT,
9	86625253	4	WASHER, M11 x 24 x 2,
10	86500689	4	NUT, M10, CI 10,
11	86625256	6	WASHER, M12 x 28.5 x 4, HT,
12	86639103	2	PIN, CLEVIS, M12 x 90, M2 X 90
13	130003	2	PIN, SPLIT (COTTER), M3.2 x 20,
14	313992A1	2	SPOOL,
15	320429A1	2	SPOOL,
16	86639115	4	PIN, SPLIT (COTTER), M2 x 12,
17	86639107	2	PIN, CLEVIS, M8 x 60, Clevis, M8 x 60
18	86639106	2	PIN, CLEVIS, M8 x 40, Clevis, M8 x 40

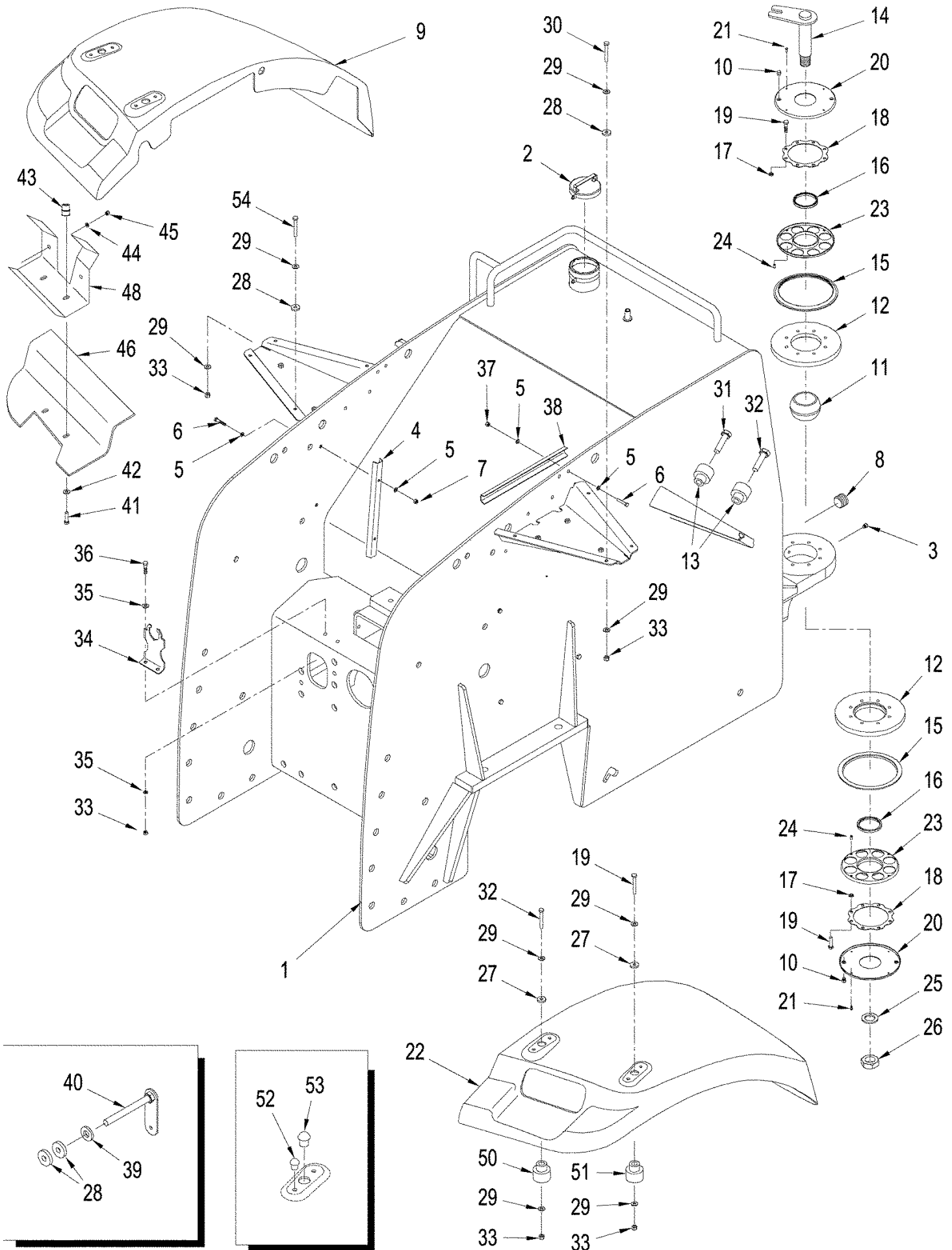
09-37 CENTER LINK



09-37 CENTER LINK

сылка	Номер детали	Кол-во	Описание
	87384059	1	LINK, CONNECTING, 1-3/4", Inc. 1 - 4, T9050, T9030 / 9040
	87384060	1	LINK, CONNECTING, 2-1/4", Inc. 1 - 4, T9060, T9030 / 9040 & 9050 HD
1	NSS	1	NOT SERVICED SEPARATELY, Link, Center Connecting
2	435499A1	1	BEARING,
3	86637648	1	RING, SNAP, #354, Int, No. 354
4	435529A1	1	BUSHING,
5	195941A1	1	PIN, 1-3/4" x 8"
6	435501A1	2	SPACER,
7	896-11016	2	WASHER, M17.5 x 30 x 4, HT,
8	627-16040	2	BOLT, Hex, M16 x 40, 10.9,
9	219-1	1	NIPPLE, LUBE, 1/8"-27 x .66 lg,
10	219-36	1	NIPPLE, LUBE, 45с, 1/8" NPT x 7/8" lg,
11	D95143	2	SEAL,
12	87423436	1	COVER, Drive Shaft, LH
13	87423437	1	COVER, Drive Shaft, RH
14	895-11010	4	WASHER, M10 x 20 x 2,
15	627-10020	4	BOLT, Hex, M10 x 20, 10.9, Full Thd,
16	495-11053	4	WASHER, 1/2", SAE,
17	426-812	4	BOLT, Hex, 1/2"-13 x 3/4", G8, Full Thd,
18	87399531	1	PIN, LARGE, Retaining, Center Link

09-38 REAR FRAME



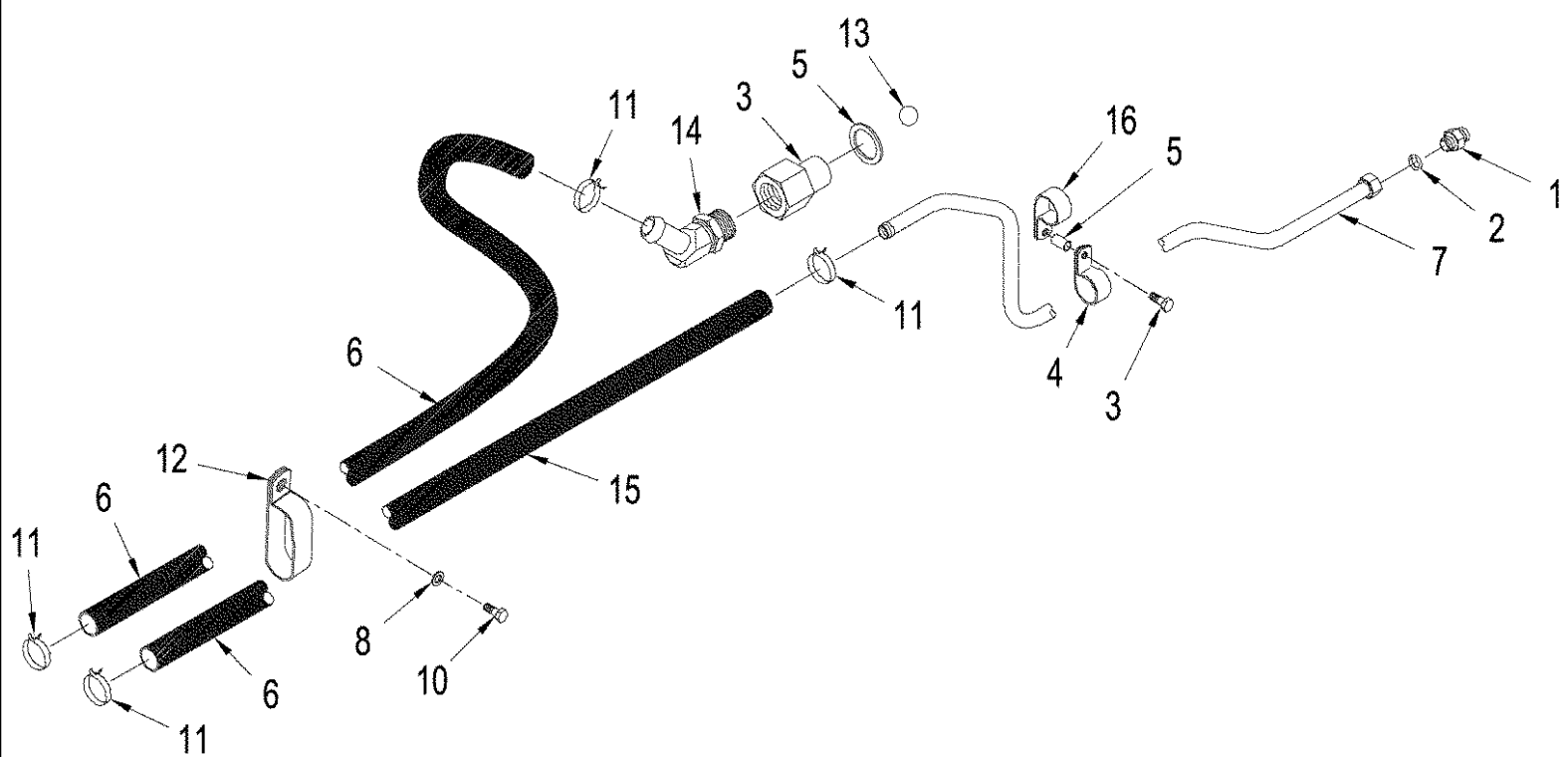
09-38 REAR FRAME

сылка	Номер детали	Кол-во	Описание
1	87318120	1	FRAME, Rear
2	87555106	1	CAP FUEL, LOCKABLE,
3	80717	1	NIPPLE, LUBE, 45с, 1/8" NPT x 7/8" lg,
4	413188A1	2	CHANNEL, Wire Harness
5	86624184	8	WASHER, M8 x 16 x 1.6,
6	86625003	4	BOLT, Hex, M8 x 50, 10.9,
7	86528579	4	NUT, LOCK, M8 x 1.25, CI 10,
8	384163A1	1	PLUG, PLASTIC, LH
9	426937A6	1	FENDER, REAR, LH
10	86639336	4	PLUG, Hex Hd, 1/8"-27 NPTF,
11	87311338	1	BEARING, Roller
12	330032A1	2	RING,
13	434069A1	2	SPACER,
14	87590638	1	PIN, Pivot
15	433478A1	2	GASKET,
16	D95148	2	GASKET,
17	432444A1	16	SPACER,
18	430250A1	2	RETAINER,
19	43248	16	BOLT, Hex, M10 x 40, 10.9, Full Thd,
20	87365381	2	COVER,
21	86637658	16	SCREW, Hex Hd, #10-32 x 1/2", G5,
22	426938A6	1	FENDER, REAR, RH
	87365383	2	HOUSING, Bearing, Inc. 23, 24
23	NSS	2	NOT SERVICED SEPARATELY, Housing
24	NSS	8	NOT SERVICED SEPARATELY, Spacer
25	SFD014088	1	WASHER, 1-3/4"
26	425-1528	1	NUT, Jam
27	86979890	8	GROMMET, 11/16" ID x 1" Groove Dia, Str Cut,
28	321232A1	10	BUSHING, M10 x 35; 10.9
29	86625253	8	WASHER, M11 x 24 x 2,
30	86624979	2	BOLT, Hex, M10 x 75, 10.9,
31	86639030	2	BOLT, Hex, M10 x 70, 10.9, Full Thd,
32	43249	2	SCREW, Hex, M10 x 50, 10.9,
33	86500689	2	NUT, M10, CI 10,
34	402769A2	1	PLATE, Mounting
35	86624176	2	WASHER, M10 x 20 x 2,
36	86624978	2	BOLT, Hex, M10 x 35, 10.9, Full Thd,
37	86528579	2	NUT, LOCK, M8 x 1.25, CI 10,
38	413188A1	1	CHANNEL, Wire Harness
39	86625256	1	WASHER, M12 x 28.5 x 4, HT,
40	406390A1	1	HANDLE, Mounting, Articulation Lock
41	86977726	4	BOLT, Hex, M6 x 12, 8.8,
42	86517328	4	WASHER, LOCK, M6,
43	404287A1	4	INSERT,
44	86624181	4	WASHER, M6,

T9040 4WD TRACTOR, ASN (8/07-) - Chassis/Attachments

09-38 REAR FRAME

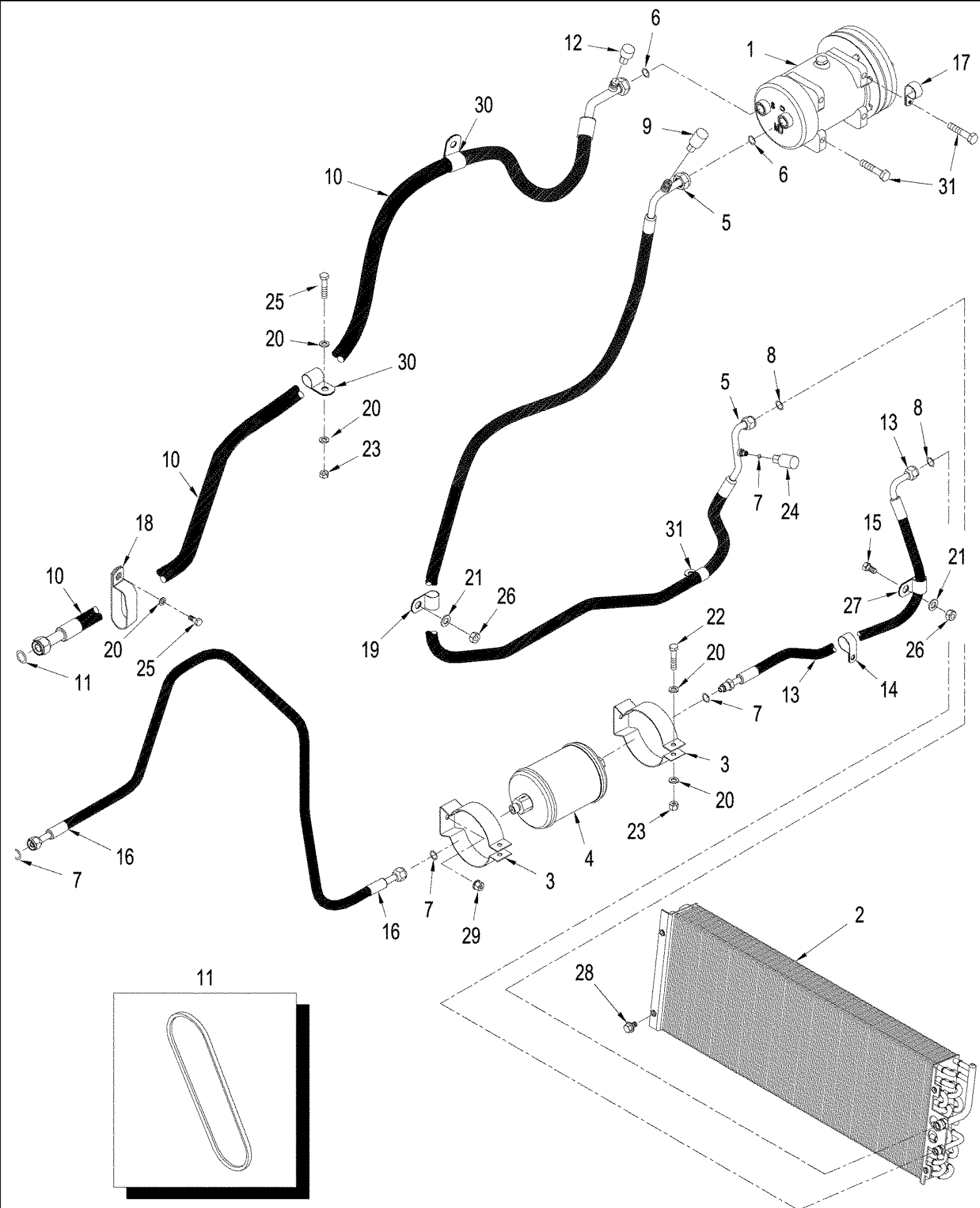
сылка	Номер детали	Кол-во	Описание
45	412250	4	NUT, LOCK, M8 x 1.25, CI 8,
46	436218A2	1	SHIELD, LH
47	436162A2	1	SHIELD, RH, Not Illustrated
48	432280A1	1	LAMP, TAIL, Mounting, LH
49	432279A1	1	LAMP, TAIL, Mounting, RH, Not Illustrated
50	434066A1	2	SPACER,
51	434068A1	4	SPACER,
52	353-411	1	PLUG, Dome, 1.000" hole, Nylon, Not Illustrated, Used without Rear Fender Lamps
53	353-403	2	PLUG, Dome, .437" hole, Nylon, Not Illustrated, Used without Rear Fender Lamps
54	627-10085	2	BOLT, Hex, M10 x 85, 10.9, Full Thd,



T9040 4WD TRACTOR, ASN (8/07-) - Chassis/Attachments

09-39 HEATER - HOSES, T9030 / 9040 & T9050

сылка	Номер детали	Кол-во	Описание
1	86984542	1	END FITTING, Inc. 2
2	238-6018	1	O-RING, -018, 90 Duro, .739" ID x .070" Thk,
3	87271484	1	FITTING, Inc. 5 & 13
4	515-23159	2	CLAMP, 5/8", Insul, 3/8" Bolt,
5	8500571	1	SPACER,
6	87447841	2	HOSE, Supply, Cut From: 32-050
7	86984554	1	TUBE ASSY.,
8	895-11008	2	WASHER, M8 x 16 x 1.6,
9	43362	1	NUT, M8, CI 10,
10	43233	1	BOLT, Hex, M8 x 20, 10.9,
11	82012722	4	CLAMP, HOSE, 1/2 - 29/32 dia
12	R54363	3	CLAMP,
13	87343576	1	BOLT, M7 x 45, CL8.8
14	217-144	1	ELBOW, 45e, 5/8" Hose x 1/2" NPTF Beaded,
15	87447841	1	HOSE, Return
16	86572009	1	CLAMP, 3/8", Insul, 3/8" Bolt,

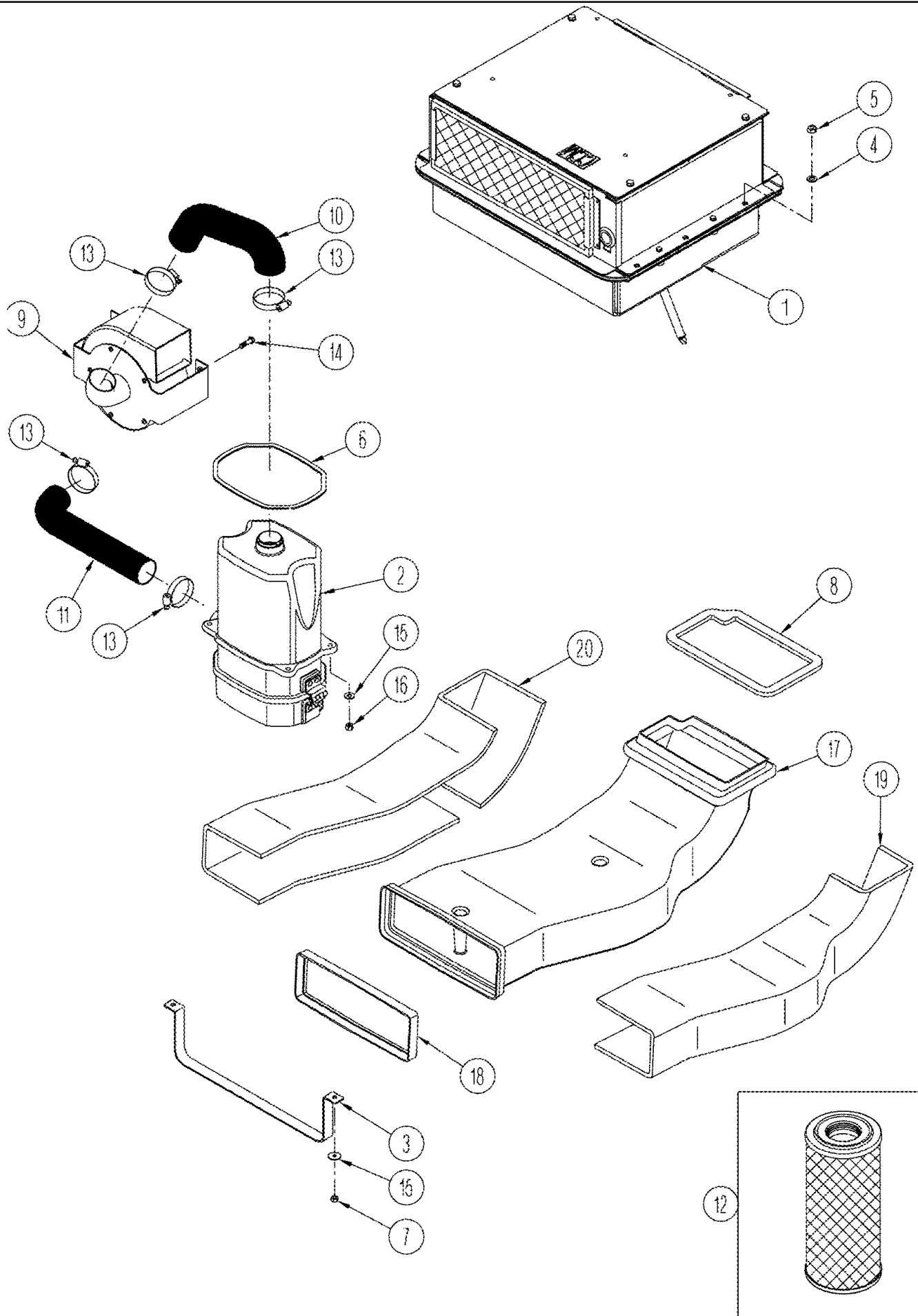


T9040 4WD TRACTOR, ASN (8/07-) - Chassis/Attachments

09-41 AIR CONDITIONING SYSTEM, T9030 / 9040 & T9050

сылка	Номер детали	Кол-во	Описание
1	86993463	1	COMPRESSOR, AIRCOND.,
2	87315600	1	CONDENSER,
3	433723A1	2	Clamp
4	295006A1	1	RECEIVER-DRYER, 134a
5	87580495	1	HOSE ASSY., 2152 mm (84-3/4"), Compressor to Condensor, Inc. 6 - 9, T9030 / 9040
5	87580499	1	HOSE ASSY., 2160 mm (86"), Compressor to Condensor, Inc. 6 - 9, T9050
6	128485A1	3	O-RING, 9/16" ID x 1/16"
7	128483A1	3	O-RING, 5/16" ID x 1/16"
8	128484A1	2	O-RING, 7/16" ID x 1/16"
9	122554A1	1	CAP, High Side Service Port
10	87580494	1	HOSE ASSY., 3165 mm (124-1/2"), Inc. 6, 12
11	87282333	1	BELT, Accessory Drive, Alternator & A/C
12	122553A1	1	CAP, Low side Service Port
13	87437756	1	HOSE ASSY., 2418 mm (95"), Inc. 7, 8
14	86639011	3	CLAMP, J, 3/4", Insul, 3/8" Bolt,
15	9846677	1	BOLT, Hex, M10 x 25, 10.9, Full Thd,
16	87447519	1	HOSE ASSY., 2190 mm (86-1/4"), Inc. 7
17	86572009	1	CLAMP, 3/8", Insul, 3/8" Bolt, 3/8" ID
18	R54363	2	CLAMP,
19	86624005	1	CLAMP, 3/4", Insul, 3/8" Bolt,
20	86624184	14	WASHER, M8 x 16 x 1.6,
21	86624176	4	WASHER, M10 x 20 x 2,
22	9780069	2	BOLT, Hex, M8 x 40, 10.9,
23	43362	9	NUT, M8, CI 10,
24	284273A2	1	SWITCH, A/C, High Pressure
25	43234	3	BOLT, Hex, M8 x 25, 10.9,
26	86500689	3	NUT, M10, CI 10,
27	86639005	1	CLAMP, 5/8", Insul, 1/2" Bolt,
28	9804258	4	BOLT, Hex Flg, M8 x 20, 8.8,
29	86505868	2	NUT, M8, Flg Ser,
30	619284	5	CLAMP, 15/16", Insul, 3/8" Bolt,
31	86512165	4	BOLT, Hex, M8 x 100, 10.9,

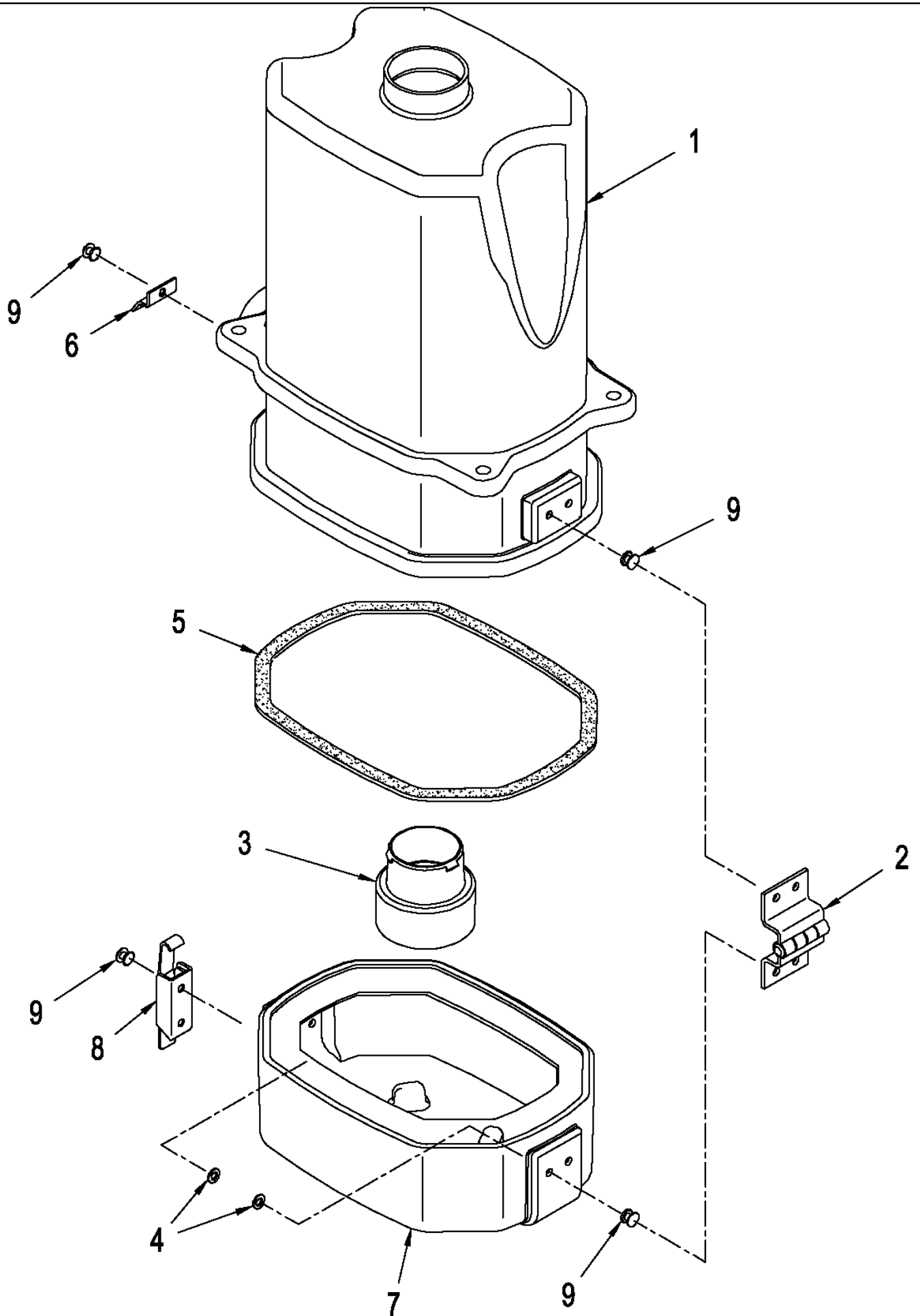
09-43 AIR CONDITIONING - DUCTS



09-43 AIR CONDITIONING - DUCTS

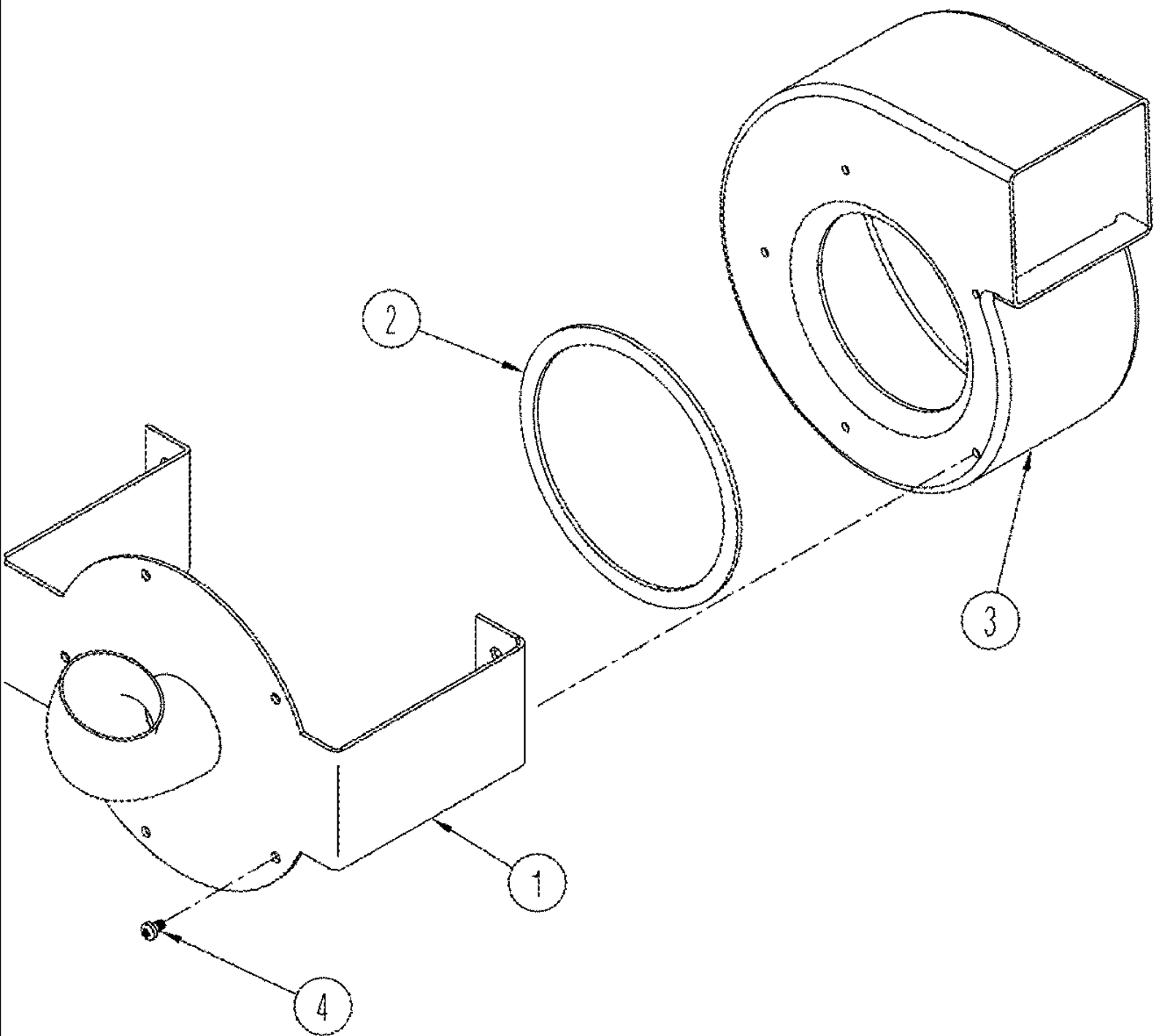
сылка	Номер детали	Кол-во	Описание
1	87365878	1	AIR CONDITIONER, See Figure: 09-46
2	87596194	1	HOUSING, Air Filter Housing
3	384950A2	1	BRACKET, Support, Air Duct
4	86624176	6	WASHER, M10 x 20 x 2,
5	86500689	6	NUT, M10, CI 10,
6	359586A1	1	SEAL, Filter
7	43362	2	NUT, M8, CI 10,
8	278967A3	1	GASKET, Mounting, Floor Plate
9	NSS	1	NOT SERVICED SEPARATELY, Blower Assy, Suction / Pressurizer, See Figure: 09-45
10	307024A4	1	HOSE, Output
11	87380071	1	HOSE, Air Intake
12	86994156	1	FILTER, AIR, Recirculation
13	86050202	4	CLAMP, HOSE, #32, 1.56/2.50 Type F Worm,
14	86508616	4	BOLT, Hex, M6 x 12, 10.9,
15	86625263	6	WASHER, M8 x 20 x 1.6,
16	86528579	4	NUT, LOCK, M8 x 1.25, CI 10,
17	327851A1	1	DUCT, HVAC
18	359670A2	1	SEAL, Air Duct
19	328051A2	1	INSULATION, FOAM, RH
20	328052A2	1	INSULATION, FOAM, LH

09-44 AIR CONDITIONING - AIR FILTER HOUSING ASSEMBLY



09-44 AIR CONDITIONING - AIR FILTER HOUSING ASSEMBLY

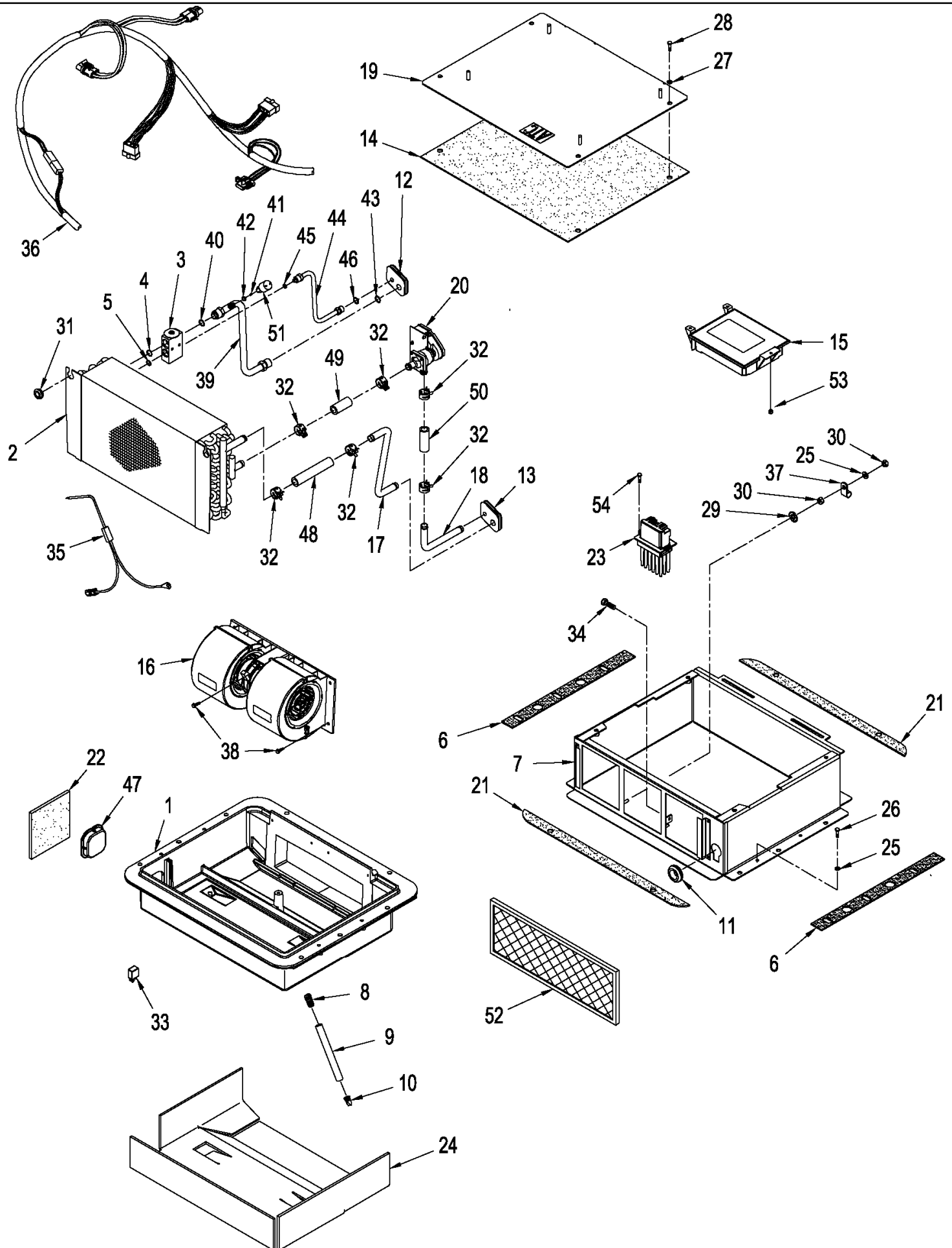
сылка	Номер детали	Кол-во	Описание
	87596194	1	HOUSING, Air Filter, Inc. 1 - 9
1	NSS	1	NOT SERVICED SEPARATELY, Housing, Filter, Upper
2	319969A1	1	HINGE, Air Filter Housing
3	307016A1	1	COUPLING,
4	86625261	7	WASHER, M5 x 10 x 1,
5	87598827	1	680 mm (26-3/4")
6	307021A2	1	CLIP,
7	NSS	1	NOT SERVICED SEPARATELY, Housing, Filter, Lower
8	87596198	1	LATCH, Air Filter Housing
9	86637655	7	RIVET, Pop, 3/16" x .450",



09-45 AIR CONDITIONING - BLOWER ASSEMBLY

сылка	Номер детали	Кол-во	Описание
1	307104A3	1	SUPPORT, Blower Bracket
2	313282A1	1	SEAL, Cut From : 187874C1
3	87107380	1	BLOWER, Suction / Pressurizer
4	86639262	5	SCREW, Cross Pan Hd, M5 x 8,

09-46 AIR CONDITIONING - CLIMATE CONTROL UNIT WITH AUTO TEMP CONTROL

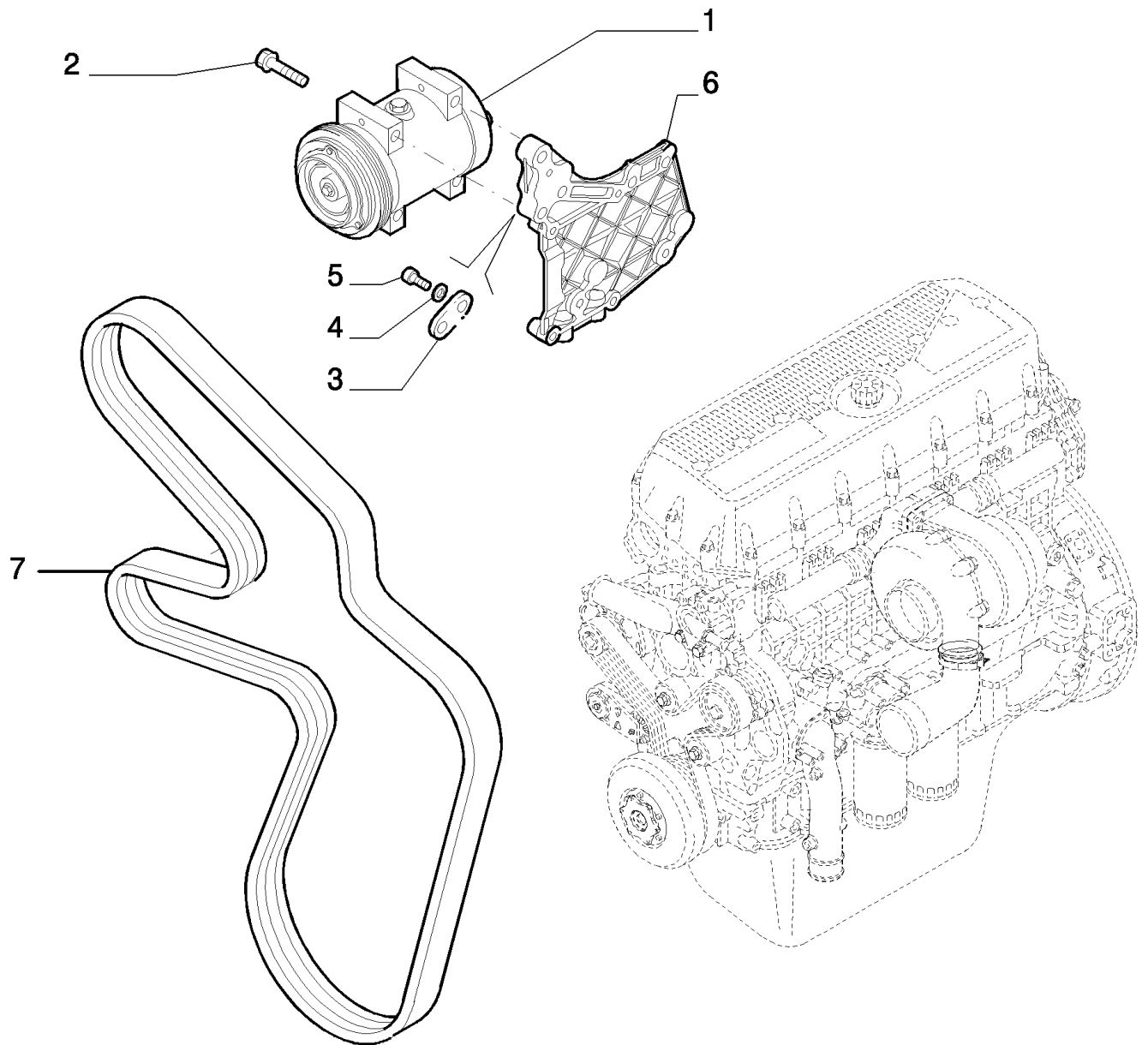
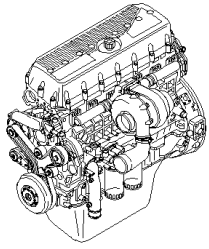


09-46 AIR CONDITIONING - CLIMATE CONTROL UNIT WITH AUTO TEMP CONTROL

сылка	Номер детали	Кол-во	Описание
	87365878	1	AIR CONDITIONER, Inc. 1 - 54
1	322996A1	1	BOX, Air Conditioning, Lower
2	86990262	1	CORE, Evaporator and Heater, Inc. 3 - 5
3	386535A1	1	VALVE, Expansion
4	128485A1	1	O-RING, 9/16" ID x 1/16"
5	128484A1	1	O-RING, 7/16" ID x 1/16"
6	322994A1	4	GASKET, Mounting
7	87306776	1	CASE ASSY.,
8	1250522C3	2	ELBOW,
9	1977334C1	2	HOSE, 610 mm (24-1/8"), Cut From : 198091CX
10	109239C2	2	VALVE, Check
11	86637781	1	GROMMET, 1" ID x 1 3/8" Groove Dia,
12	322989A1	1	GROMMET,
13	322990A1	1	GROMMET,
14	87324951	1	GASKET, Cover
15	87365492	1	MODULE, Blower Motor, 12V
16	323610A1	1	BLOWER,
17	322985A1	1	PIPE, Outlet
18	322987A1	1	PIPE, Inlet
19	87306495	1	COVER,
20	427356A1	1	VALVE, CONTROL, Regulator
21	322995A1	4	GASKET, Mounting
22	87306773	1	INSULATION, FOAM,
23	87306706	1	TERMINAL CONNECTOR, Linear Blower
24	324484A1	1	INSULATOR,
25	86517328	5	WASHER, LOCK, M6,
26	86508568	4	SCREW, Hex, M6 x 16, 8.8,
27	80681	4	WASHER, LOCK, 5/16",
28	43234	4	BOLT, Hex, M8 x 25, 10.9,
29	88538	1	WASHER, LOCK, Ext-Int Tooth, 1/4",
30	86500688	3	NUT, M6, CI 10,
31	86637777	2	GROMMET, 1/2" ID x 13/16" Groove Dia, Diag Cut,
32	1954736C1	6	CLAMP, HOSE, No. 24
33	87414866	1	RELAY, 20 AMP
34	87454442	1	SENSOR, Thermometer
35	323016A1	1	SENSOR, Temperature
36	87323958	1	HARNESS,
37	86625035	1	CLAMP, 1/2", Insul, 1/4" Bolt,
38	86637791	4	SCREW, SELF TAPPING, Hex Wash Hd, #10 x 3/4",
39	322839A1	1	PIPE, Suction, Inc. 40 - 43
40	128485A1	1	O-RING, 9/16" ID x 1/16"
41	1250594C2	1	CORE,
42	128483A1	1	O-RING, 5/16" ID x 1/16"
43	128485A1	1	O-RING, 5/8" ID x 1/16"
44	322840A1	1	PIPE, Inc. 45, 46

09-46 AIR CONDITIONING - CLIMATE CONTROL UNIT WITH AUTO TEMP CONTROL

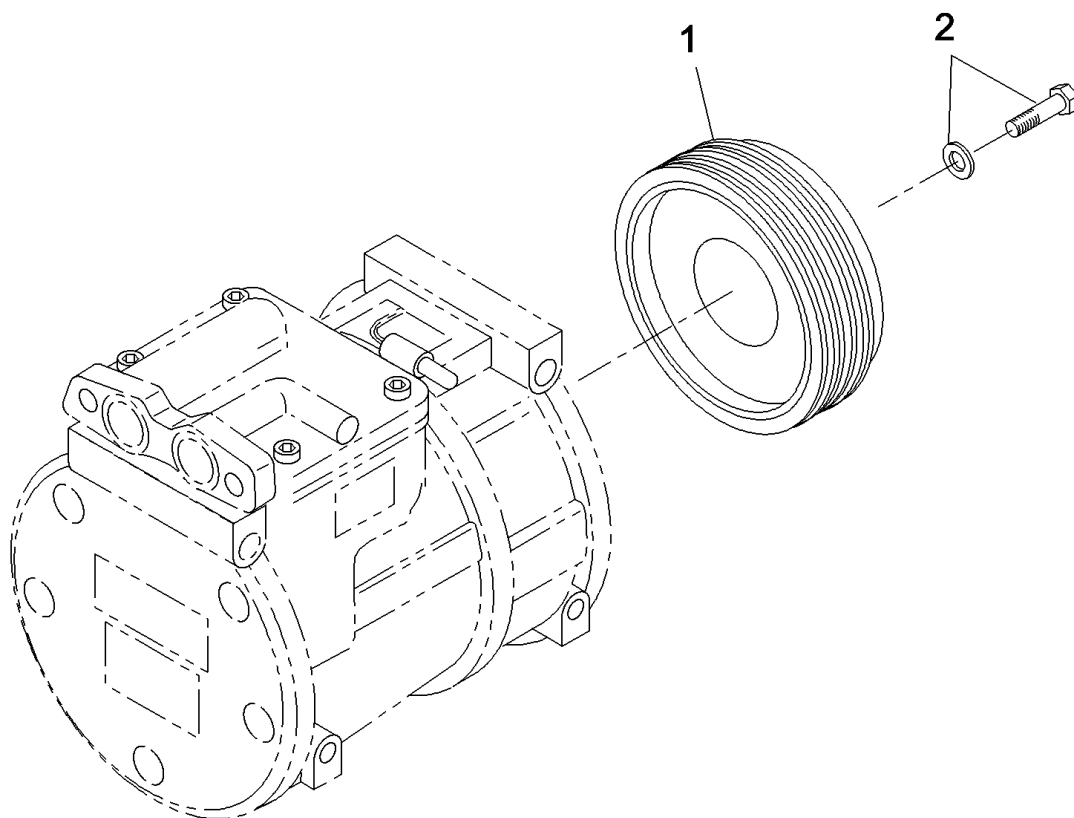
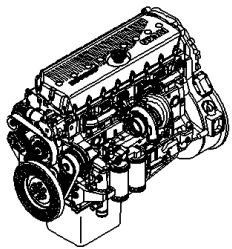
сылка	Номер детали	Кол-во	Описание
45	128484A1	1	O-RING, 7/16" ID x 1/16" Thk
46	NSS	1	NOT SERVICED SEPARATELY, 5/16" ID x 1/16"
47	368313A1	1	PLUG, PLASTIC,
48	1321290C2	1	HOSE, 127 mm (5"), Cut From : 97252C1
49	324022A1	1	HOSE, 54 mm (2-1/8"), Cut From : 97252CX
50	324023A1	1	HOSE, 64 mm (2-1/2"), Cut From : 97252CX
51	87323829	1	SWITCH, PRESSURE, Low Pressure
52	87408707	1	FILTER, Recirculated Air
53	385681	1	NUT, LOCK, M4 x .7, CI 8,
54	86637790	2	SCREW, SELF TAPPING, Hex Wash Hd, #8 x 1/2",



T9040 4WD TRACTOR, ASN (8/07-) - Chassis/Attachments

09-47 COMPRESSOR, AIRCOND.,T9030 / 9040

сылка	Номер детали	Кол-во	Описание
1	504078610	1	COMPRESSOR, AIRCOND., - ASSY, See Figure: 09-48
2	16598325	4	SCREW, M8X100 mm
3	504093239	1	
4	17097024	1	WASHER,
5	16692324	2	BOLT, M10X35 mm
5	504080093	2	BOLT,
6	504078624	1	BRACKET, SUPPORTING, Air Compressor
7	87282333	1	BELT, Accessory Drive, Alternator, Water & A/C



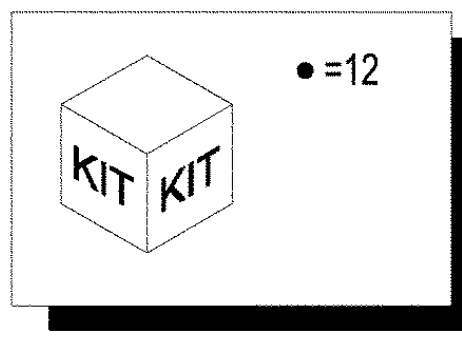
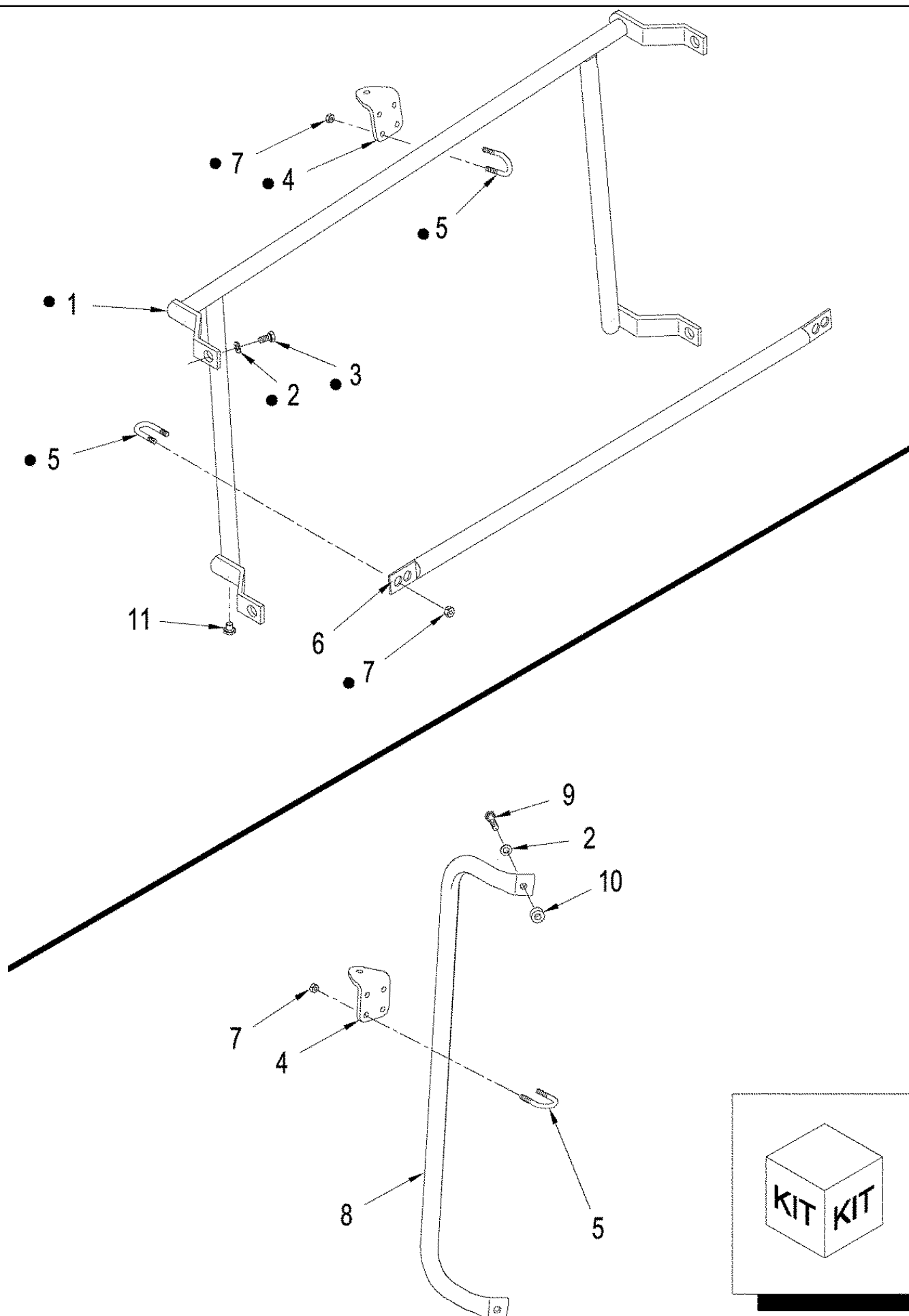
T9040 4WD TRACTOR, ASN (8/07-) - Chassis/Attachments

09-49 COMPRESSOR, AIRCOND. - COMPONENTS, T9030 / 9040 & T9050

сылка	Номер детали	Кол-во	Описание
-------	--------------	--------	----------

1	8093816	1	CLUTCH, Air Compressor
2	42535660	4	BOLT, Mounting Hardware

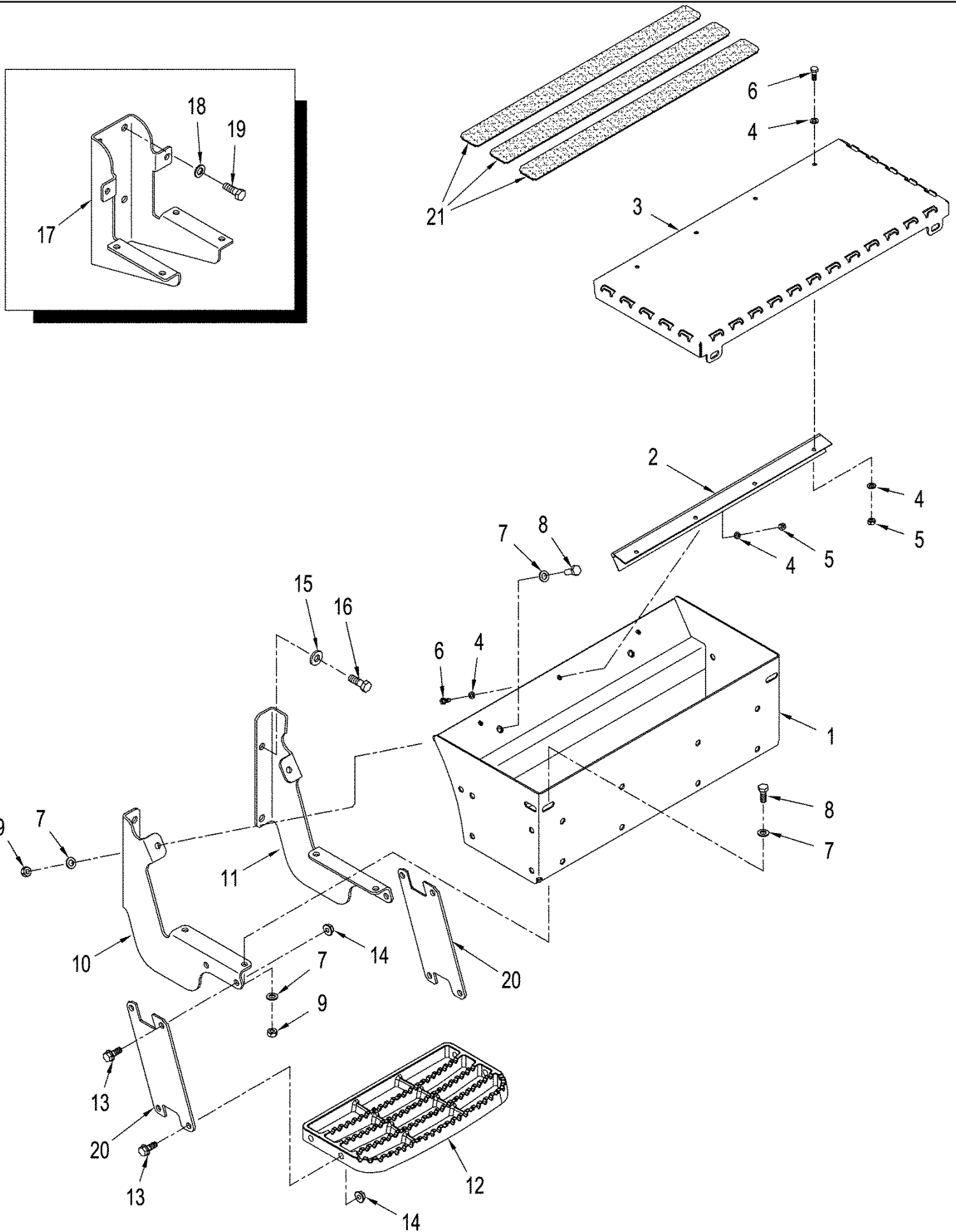
09-50 MONITOR MOUNTING



09-50 MONITOR MOUNTING

сылка	Номер детали	Кол-во	Описание
1	409391A2	1	MOUNTING PARTS, Window Monitor, RH
2	86624184	6	WASHER, M8 x 16 x 1.6,
3	43234	4	BOLT, Hex, M8 x 25, 10.9,
4	87530660	3	BRACKET, Angle, Window
5	87526197	6	U-BOLT, 1/4", Inc. Nut
6	443908A1	1	TUBE, Monitor Mount
7	7770	12	NUT, 1/4"-20, G5,
8	369275A1	1	TUBE, A-Post Monitor Mount
9	9780069	2	BOLT, Hex, M8 x 40, 10.9,
10	371838A1	2	SPACER,
11	719516003	1	KIT, Window Monitor, RH, Inc. 1 - 5, 7
12	353-408	2	PLUG, Dome, .750" hole, Nylon,

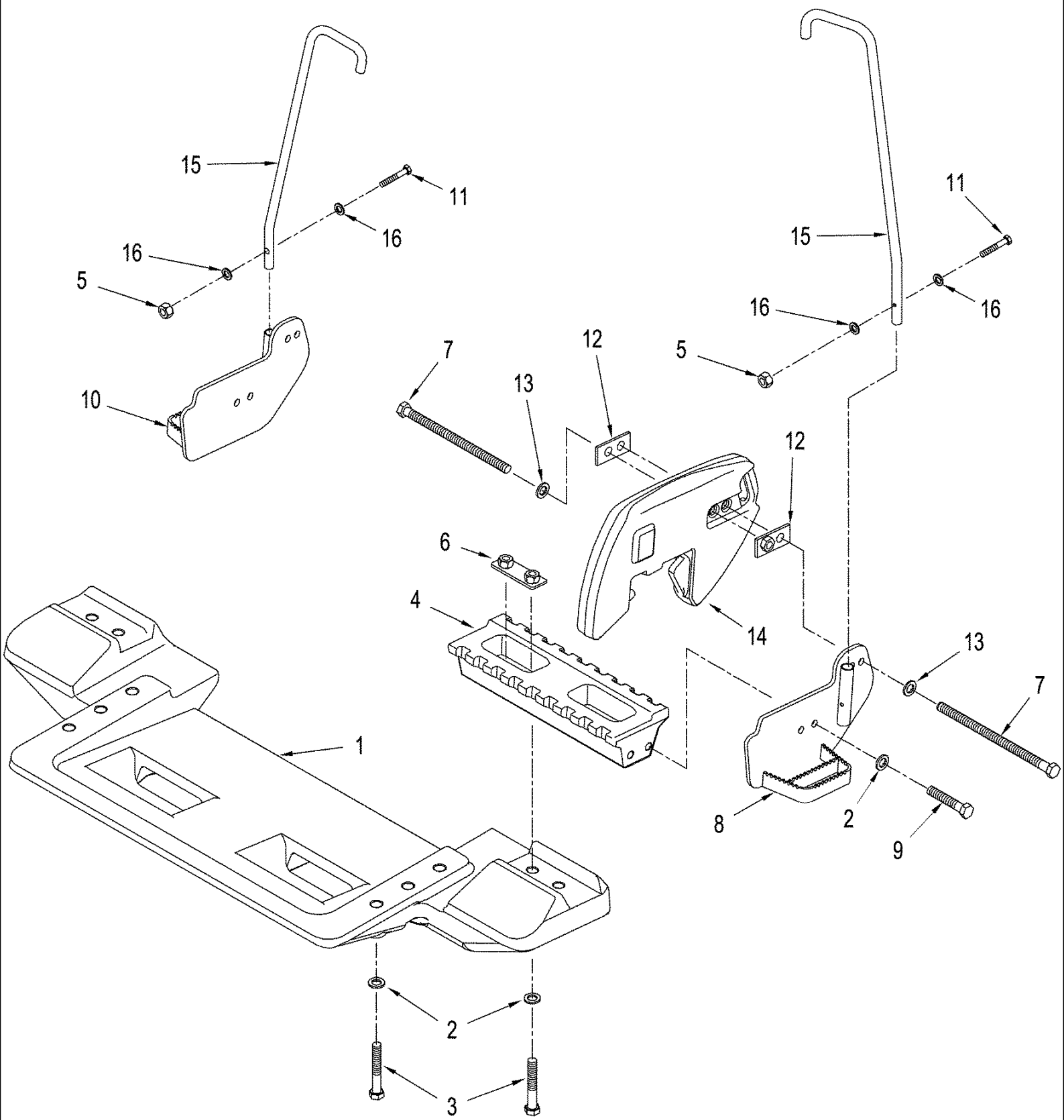
09-51 STORAGE BOX



09-51 STORAGE BOX

сылка	Номер детали	Кол-во	Описание
1	87325332	1	BOX, Storage
2	435534A1	1	HINGE, Storage Box
3	87307236	1	STEP, Lower, Storage Box
4	86624181	14	WASHER, M6,
5	393392	7	NUT, LOCK, M6 x 1, CI 8,
6	86639037	7	BOLT, Hex, M6 x 16, 10.9,
7	86624176	12	WASHER, M10 x 20 x 2,
8	9846677	6	BOLT, Hex, M10 x 25, 10.9, Full Thd,
9	86500689	6	NUT, M10, CI 10,
10	410814A1	1	BRACKET, Mounting, Storage Box, Without Weights
11	410815A2	1	BRACKET, Mounting, Storage Box, Without Weights
12	87301185	1	STEP, Lower
13	274251	8	BOLT, Hex Serr Flg, M10 x 25,
14	43435	8	NUT, M10, Flg Ser,
15	86625256	3	WASHER, M12 x 28.5 x 4, HT,
16	9824642	3	BOLT, Hex, M12 x 35, 10.9,
17	410817A1	1	BRACKET, Mounting, Storage Box, With Weights
18	86624177	3	WASHER, M12 x 24 x 2.5,
19	9824642	3	BOLT, Hex, M12 x 35, 10.9,
20	410816A1	2	BRACKET, Mounting, Lower Step
21	87307237	3	STRIP, ANTI-SKID,

09-52 WEIGHTS - FRONT FRAME

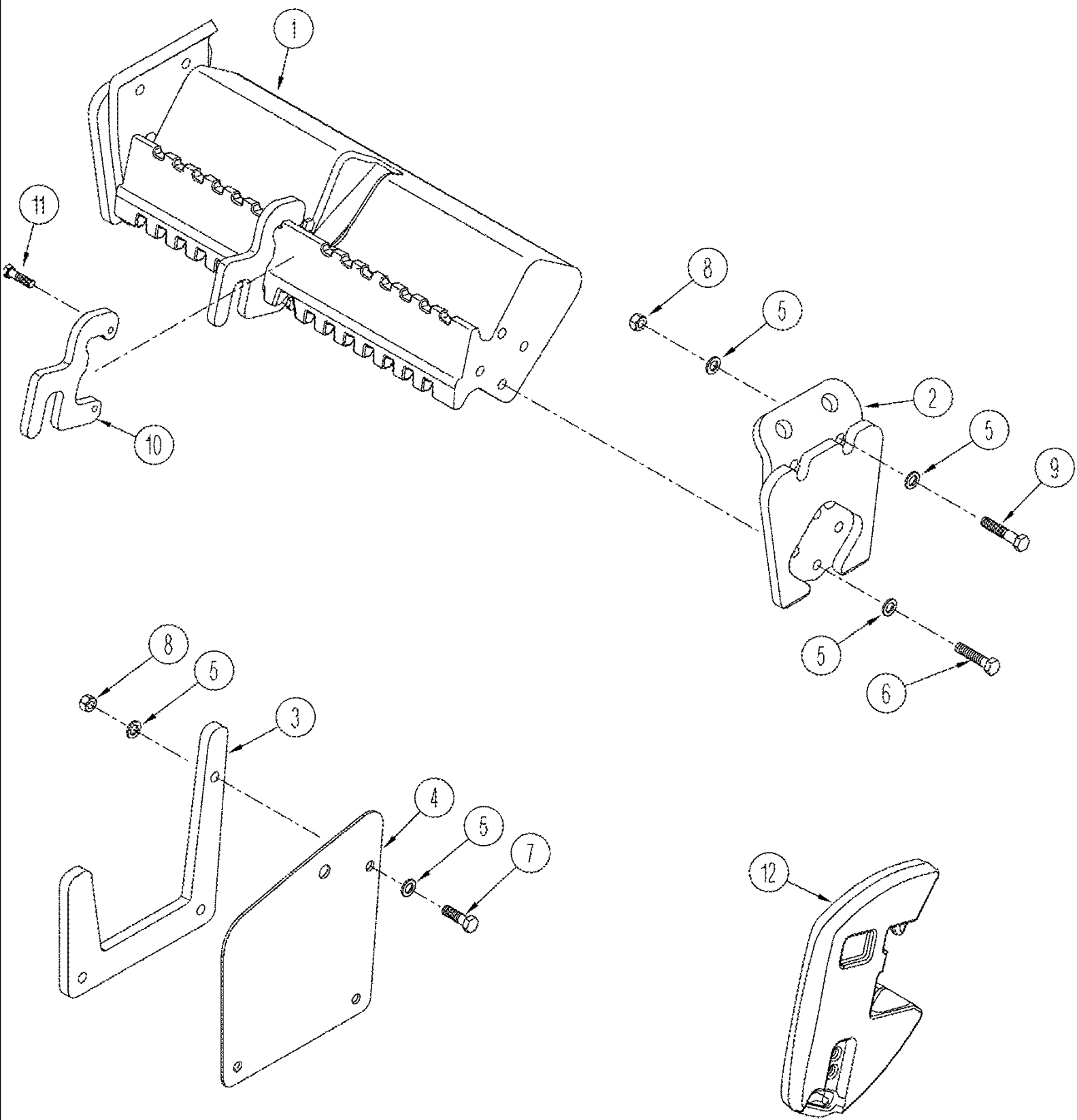


T9040 4WD TRACTOR, ASN (8/07-) - Chassis/Attachments

09-52 WEIGHTS - FRONT FRAME

сылка	Номер детали	Кол-во	Описание
1	413310A1	1	HANGER, Weight, T9030 / 9040
1	87433786	1	HANGER, Weight, T9050 / 9060
2	86625260	14	WASHER, M20 x 37.5 x 4, HT,
3	86639145	10	BOLT, Hex, M20 x 130, 10.9,
4	413312A1	2	INSERT, Nine Weight
5	86500689	2	NUT, M10, CI 10,
6	413313A1	2	BRACKET, Mounting
7	86639034	4	BOLT, Hex, M16 x 320, 10.9, Full Thd,
8	87309541	1	PLATE, Weight, RH
9	9843495	4	SCREW, Hex, M20 x 60, 10.9,
10	87309542	1	PLATE, Weight, LH
11	86508619	2	BOLT, Hex, M10 x 60, 10.9,
12	229483A1	4	RETAINER, Plate
13	86639326	4	WASHER, M17.5 x 34 x 5, HT,
14	403140A1	AR	WEIGHT, 45Kg (100 lb)
15	413316A1	2	GRAB RAIL,
16	86625252	4	WASHER, M10 x 21.5 x 2.5, HT,

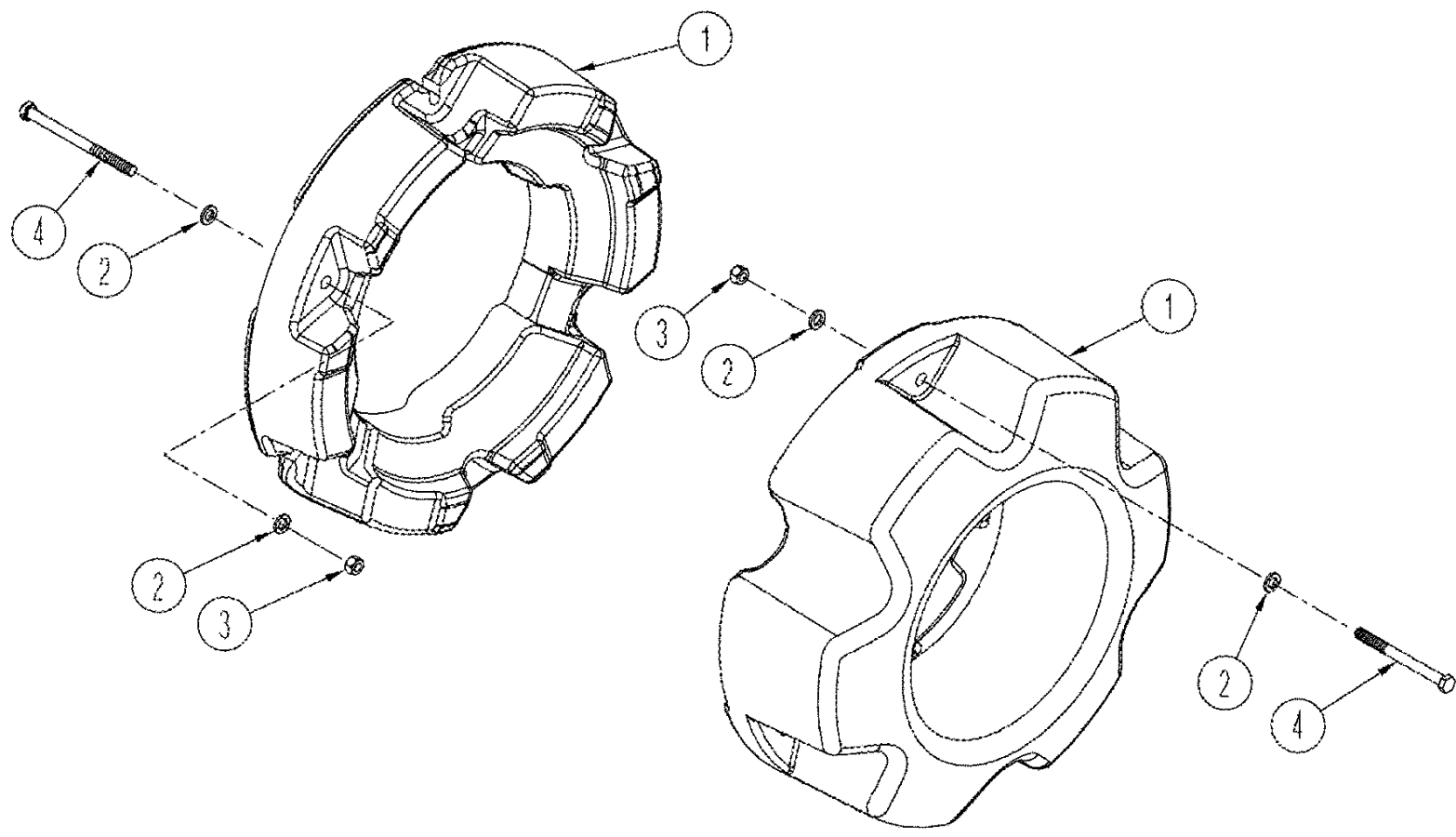
09-53 WEIGHTS - REAR FRAME



T9040 4WD TRACTOR, ASN (8/07-) - Chassis/Attachments

09-53 WEIGHTS - REAR FRAME

сылка	Номер детали	Кол-во	Описание
1	413389A1	1	WEIGHT, , Order From Machinery Price List
2	413390A1	2	BRACKET, Support
3	413391A2	2	BRACKET, Support
4	413392A2	2	PLATE,
5	86625260	24	WASHER, M20 x 37.5 x 4, HT,
6	9846950	8	BOLT, Hex, M20 x 90, 10.9,
7	412641	6	BOLT, Hex, M20 x 70, 10.9,
8	9847024	8	NUT, M20, CI 10,
9	9843612	2	BOLT, Hex, M20 x 100, 10.9,
10	413393A1	2	PLATE,
11	374835	4	BOLT, Hex, M16 x 40, 10.9,
12	403140A1	AR	WEIGHT, 45Kg (100 lb)

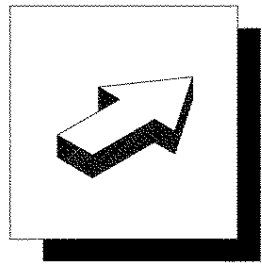
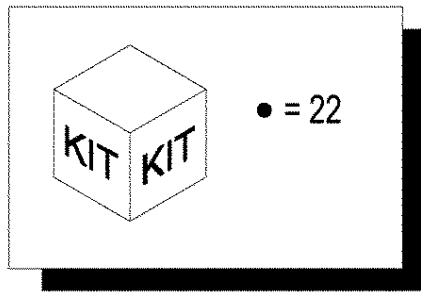
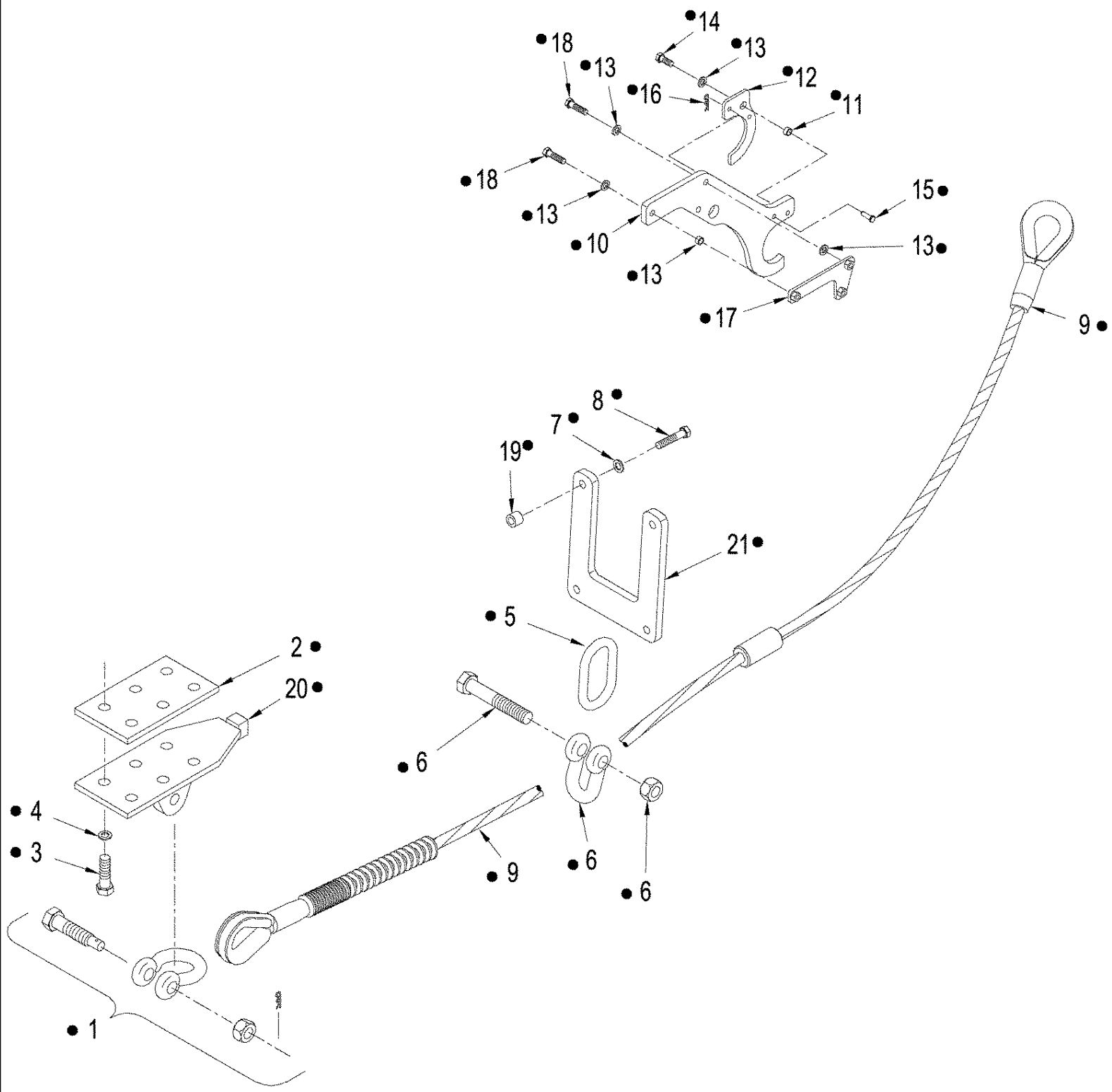


T9040 4WD TRACTOR, ASN (8/07-) - Chassis/Attachments

09-54 WEIGHTS - WHEEL

сылка	Номер детали	Кол-во	Описание
1	405829A1	2	WEIGHT, 500 lbs., Order From Machinery Price List
1	405830A1	2	WEIGHT, 1000 lbs., Order From Machinery Price List
2	86625266	12	WASHER, M17.5 x 30 x 4, HT,
3	412066	6	NUT, LOCK, M16 x 2, CI 8,
4	86639152	6	BOLT, Hex, M16 x 200, 10.9, , Use With 500 lbs. Weight
4	43281	6	BOLT, Hex, M16 x 120, 10.9, , Use With 1000 lbs. Weight

09-55 TOW CABLE

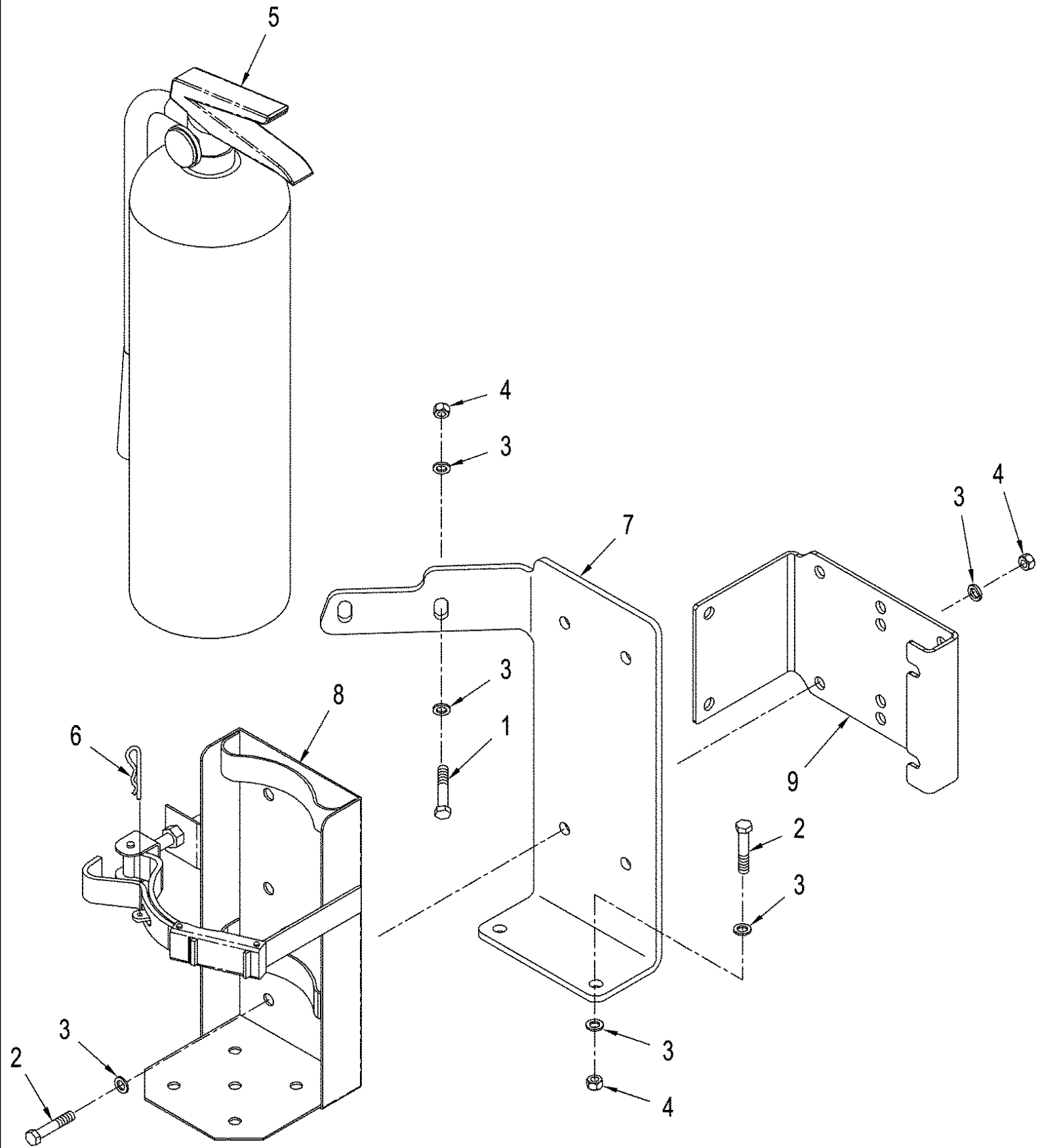


T9040 4WD TRACTOR, ASN (8/07-) - Chassis/Attachments

09-55 TOW CABLE

сылка	Номер детали	Кол-во	Описание
1	87539843	1	SHACKLE, Inc. Hardware
2	87548081	1	PLATE, MOUNTING,
3	827-24080	6	BOLT,
4	896-11024	6	WASHER, M24 x 44.5 x 5, HT,
5	409753A1	1	LINK,
6	369838A1	1	SHACKLE,
7	86625260	4	WASHER, M20 x 37.5 x 4, HT,
8	9843612	4	BOLT, Hex, M20 x 100, 10.9,
9	379523A1	1	CABLE ASSY., Tow
10	408795A1	1	HOOK, Side
11	435501A1	1	SPACER,
12	408796A1	1	LATCH, Side Hook
13	86639326	7	WASHER, M17.5 x 34 x 5, HT,
14	374835	1	BOLT, Hex, M16 x 40, 10.9,
15	86639102	1	SPLIT PIN/SAFETY PIN, Clevis, 12 x 40 mm
16	435425A1	1	PIN, 1/8
17	385380A1	1	PLATE ASSY.,
18	9847468	3	BOLT, Hex, M16 x 70, 10.9,
19	409751A1	4	SPACER, M20 x 40, with 450 Series Axle
20	87548080	1	PLATE, MOUNTING, Tow Cable
21	408793A1	1	PLATE, Axle Cable
22	719546003	1	KIT, Tow Cable, Inc. 1 - 21

09-56 FIRE EXTINGUISHER



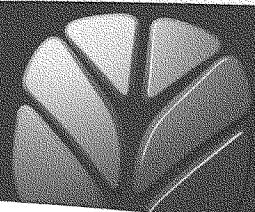
09-56 FIRE EXTINGUISHER

сылка	Номер детали	Кол-во	Описание
	719972003	1	DIA KIT, TRACTOR, Fire Extinguisher, Inc. 1 - 9
1	43248	2	BOLT, Hex, M10 x 40, 10.9, Full Thd,
2	9515003	6	BOLT, Hex, M10 x 30, 10.9, Full Thd,
3	86625253	14	WASHER, M11 x 24 x 2,
4	412141	8	NUT, LOCK, M10 x 1.5, Cl 8,
5	NSS	1	NOT SERVICED SEPARATELY, Extinguisher, Fire, 10 lb., ABC
6	1980543C1	1	SPLIT PIN/SAFETY PIN,
7	87417139	1	BRACKET, SUPPORTING, Left-Hand Stair Mount, If Used
8	87427312	1	BRACKET, SUPPORTING, Fender Mount, If Used
9	87420884	1	BRACKET, SUPPORTING, Toolbox Mount, If Used

1

T9030

New Holland



2

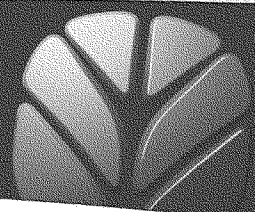
New Holland

T9030

3

T9040

New Holland



4

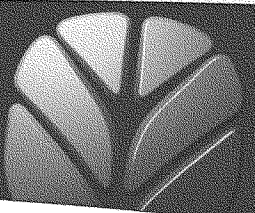
New Holland

T9040

5

T9050

New Holland



6

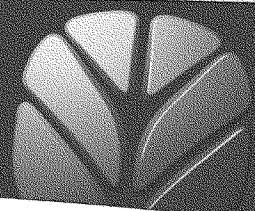
New Holland

T9050

7

T9060

New Holland



8

New Holland

T9060

9

HD

09-57 DECALS - HOOD

сылка	Номер детали	Кол-во	Описание
1	87515909	1	DECAL, Hood, LH, T9030
2	87515910	1	DECAL, Hood, RH, T9030
3	87515911	1	DECAL, Hood, LH, T9040
4	87515912	1	DECAL, Hood, RH, T9040
5	87515913	1	DECAL, Hood, LH, T9050
6	87515914	1	DECAL, Hood, RH, T9050
7	87515915	1	DECAL, Hood, LH, T9060
8	87515916	1	DECAL, Hood, RH, T9060
9	441882A1	2	DECAL, Heavy Duty

WARNING

AVOID INJURY OR DEATH

BEFORE STARTING ENGINE:

1. Read the operator's manual for safety information and operating instructions.
2. Read all tractor safety signs.
3. Be sure other people are clear of tractor and equipment.
4. Start engine only from seat.
5. Shields are for your protection. Keep them in place.

OPERATION:

1. Always buckle and adjust seat belt.
2. No riders on tractor or equipment.
3. Training seat for training operators only. do not allow children to ride or operate tractor.
4. Keep hands, feet and clothing away from power driven parts.
5. For road travel, use flashing warning lamps and keep the SMV emblem visible.
6. Do not pull with elastic tow ropes. Elastic stores energy and sudden release will cause an uncontrolled rope recoil.
7. Stay clear of hinge area when engine is running. Never turn steering wheel unless everyone is clear of equipment.

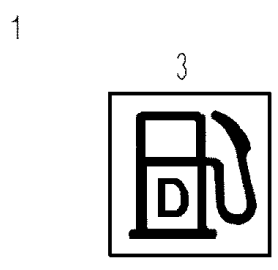
TRACTORS CAN BE UPSET:

1. Reduce speed on turns and rough ground.
2. Avoid steep slopes.
3. Avoid rear upset. Pull only from drawbar, never higher.

WHEN TRACTOR HAS STOPPED:

1. Engage park brake.
2. Lower implement to ground.
3. Disengage PTO, stop engine and wait for all movement to stop before servicing or cleaning equipment.

329726A1



WARNING

NO CLEARANCE FOR PERSON WHEN TRACTOR TURNS

TO PREVENT PERSONAL INJURY:

Stay clear of hinge area when engine is running. Shut off engine before servicing hinge area. Install articulation cylinder locking blocks before lifting tractor, transporting tractor on another vehicle, performing maintenance in hinge area or operating stationary PTO equipment. Be sure to remove locking blocks before driving tractor. Keep driveline shields in place.

329726B2

2

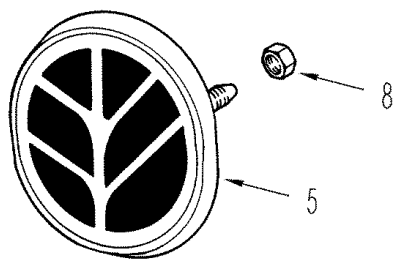
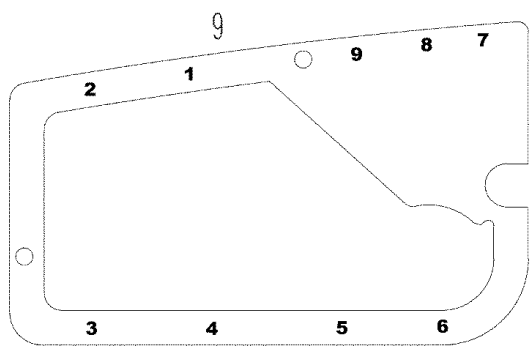
4

WARNING

ENTANGLEMENT HAZARD KEEP CLEAR

- Always keep PTO driveline shields in place to avoid entanglement.
- Be sure implements are matched to tractor PTO speeds.
- Center and lock drawbar when using PTO.

337947A



6

FUSE BLOCK 2

FUSE NUMBER	AMPERE SIZE	CIRCUIT IDENTIFICATION
10	20	FUEL INJECTOR
11	20	FUEL INJECTOR
12	20	FUEL INJECTOR
13	20	FUEL INJECTOR
14	20	FUEL INJECTOR
15	20	FUEL INJECTOR
16	20	FUEL INJECTOR
17	20	FUEL INJECTOR
18	20	FUEL INJECTOR
19	20	FUEL INJECTOR
20	20	FUEL INJECTOR
21	20	FUEL INJECTOR
22	20	FUEL INJECTOR
23	20	FUEL INJECTOR
24	20	FUEL INJECTOR
25	20	FUEL INJECTOR
26	20	FUEL INJECTOR
27	20	FUEL INJECTOR
28	20	FUEL INJECTOR
29	20	FUEL INJECTOR
30	20	FUEL INJECTOR
31	20	FUEL INJECTOR
32	20	FUEL INJECTOR
33	20	FUEL INJECTOR
34	20	FUEL INJECTOR
35	20	FUEL INJECTOR
36	20	FUEL INJECTOR
37	20	FUEL INJECTOR
38	20	FUEL INJECTOR
39	20	FUEL INJECTOR
40	20	FUEL INJECTOR
41	20	FUEL INJECTOR
42	20	FUEL INJECTOR
43	20	FUEL INJECTOR
44	20	FUEL INJECTOR
45	20	FUEL INJECTOR
46	20	FUEL INJECTOR
47	20	FUEL INJECTOR
48	20	FUEL INJECTOR
49	20	FUEL INJECTOR
50	20	FUEL INJECTOR
51	20	FUEL INJECTOR
52	20	FUEL INJECTOR
53	20	FUEL INJECTOR
54	20	FUEL INJECTOR
55	20	FUEL INJECTOR
56	20	FUEL INJECTOR
57	20	FUEL INJECTOR
58	20	FUEL INJECTOR
59	20	FUEL INJECTOR
60	20	FUEL INJECTOR
61	20	FUEL INJECTOR
62	20	FUEL INJECTOR
63	20	FUEL INJECTOR
64	20	FUEL INJECTOR
65	20	FUEL INJECTOR
66	20	FUEL INJECTOR
67	20	FUEL INJECTOR
68	20	FUEL INJECTOR
69	20	FUEL INJECTOR
70	20	FUEL INJECTOR
71	20	FUEL INJECTOR
72	20	FUEL INJECTOR
73	20	FUEL INJECTOR
74	20	FUEL INJECTOR
75	20	FUEL INJECTOR
76	20	FUEL INJECTOR
77	20	FUEL INJECTOR
78	20	FUEL INJECTOR
79	20	FUEL INJECTOR
80	20	FUEL INJECTOR
81	20	FUEL INJECTOR
82	20	FUEL INJECTOR
83	20	FUEL INJECTOR
84	20	FUEL INJECTOR
85	20	FUEL INJECTOR
86	20	FUEL INJECTOR
87	20	FUEL INJECTOR
88	20	FUEL INJECTOR
89	20	FUEL INJECTOR
90	20	FUEL INJECTOR
91	20	FUEL INJECTOR
92	20	FUEL INJECTOR
93	20	FUEL INJECTOR
94	20	FUEL INJECTOR
95	20	FUEL INJECTOR
96	20	FUEL INJECTOR
97	20	FUEL INJECTOR
98	20	FUEL INJECTOR
99	20	FUEL INJECTOR
100	20	FUEL INJECTOR

FUSE BLOCK 1

FUSE NUMBER	AMPERE SIZE	CIRCUIT IDENTIFICATION
1	10	IGNITION
2	10	IGNITION
3	10	IGNITION
4	10	IGNITION
5	10	IGNITION
6	10	IGNITION
7	10	IGNITION
8	10	IGNITION
9	10	IGNITION
10	10	IGNITION
11	10	IGNITION
12	10	IGNITION
13	10	IGNITION
14	10	IGNITION
15	10	IGNITION
16	10	IGNITION
17	10	IGNITION
18	10	IGNITION
19	10	IGNITION
20	10	IGNITION
21	10	IGNITION
22	10	IGNITION
23	10	IGNITION
24	10	IGNITION
25	10	IGNITION
26	10	IGNITION
27	10	IGNITION
28	10	IGNITION
29	10	IGNITION
30	10	IGNITION
31	10	IGNITION
32	10	IGNITION
33	10	IGNITION
34	10	IGNITION
35	10	IGNITION
36	10	IGNITION
37	10	IGNITION
38	10	IGNITION
39	10	IGNITION
40	10	IGNITION
41	10	IGNITION
42	10	IGNITION
43	10	IGNITION
44	10	IGNITION
45	10	IGNITION
46	10	IGNITION
47	10	IGNITION
48	10	IGNITION
49	10	IGNITION
50	10	IGNITION
51	10	IGNITION
52	10	IGNITION
53	10	IGNITION
54	10	IGNITION
55	10	IGNITION
56	10	IGNITION
57	10	IGNITION
58	10	IGNITION
59	10	IGNITION
60	10	IGNITION
61	10	IGNITION
62	10	IGNITION
63	10	IGNITION
64	10	IGNITION
65	10	IGNITION
66	10	IGNITION
67	10	IGNITION
68	10	IGNITION
69	10	IGNITION
70	10	IGNITION
71	10	IGNITION
72	10	IGNITION
73	10	IGNITION
74	10	IGNITION
75	10	IGNITION
76	10	IGNITION
77	10	IGNITION
78	10	IGNITION
79	10	IGNITION
80	10	IGNITION
81	10	IGNITION
82	10	IGNITION
83	10	IGNITION
84	10	IGNITION
85	10	IGNITION
86	10	IGNITION
87	10	IGNITION
88	10	IGNITION
89	10	IGNITION
90	10	IGNITION
91	10	IGNITION
92	10	IGNITION
93	10	IGNITION
94	10	IGNITION
95	10	IGNITION
96	10	IGNITION
97	10	IGNITION
98	10	IGNITION
99	10	IGNITION
100	10	IGNITION

874253B

7

FUSE BLOCK 2

FUSE NUMBER	AMPERE SIZE	CIRCUIT IDENTIFICATION
10	20	FUEL INJECTOR
11	20	FUEL INJECTOR
12	20	FUEL INJECTOR
13	20	FUEL INJECTOR
14	20	FUEL INJECTOR
15	20	FUEL INJECTOR
16	20	FUEL INJECTOR
17	20	FUEL INJECTOR
18	20	FUEL INJECTOR
19	20	FUEL INJECTOR
20	20	FUEL INJECTOR
21	20	FUEL INJECTOR
22	20	FUEL INJECTOR
23	20	FUEL INJECTOR
24	20	FUEL INJECTOR
25	20	FUEL INJECTOR
26	20	FUEL INJECTOR
27	20	FUEL INJECTOR
28	20	FUEL INJECTOR
29	20	FUEL INJECTOR
30	20	FUEL INJECTOR
31	20	FUEL INJECTOR
32	20	FUEL INJECTOR
33	20	FUEL INJECTOR
34	20	FUEL INJECTOR
35	20	FUEL INJECTOR
36	20	FUEL INJECTOR
37	20	FUEL INJECTOR
38	20	FUEL INJECTOR
39	20	FUEL INJECTOR
40	20	FUEL INJECTOR
41	20	FUEL INJECTOR
42	20	FUEL INJECTOR
43	20	FUEL INJECTOR
44	20	FUEL INJECTOR
45	20	FUEL INJECTOR
46	20	FUEL INJECTOR
47	20	FUEL INJECTOR
48	20	FUEL INJECTOR
49	20	FUEL INJECTOR
50	20	FUEL INJECTOR
51	20	FUEL INJECTOR
52	20	FUEL INJECTOR
53	20	FUEL INJECTOR
54	20	FUEL INJECTOR
55	20	FUEL INJECTOR
56	20	FUEL INJECTOR
57	20	FUEL INJECTOR
58	20	FUEL INJECTOR
59	20	FUEL INJECTOR
60	20	FUEL INJECTOR
61	20	FUEL INJECTOR
62	20	FUEL INJECTOR
63	20	FUEL INJECTOR
64	20	FUEL INJECTOR
65	20	FUEL INJECTOR
66	20	FUEL INJECTOR
67	20	FUEL INJECTOR
68	20	FUEL INJECTOR
69	20	FUEL INJECTOR
70	20	FUEL INJECTOR
71	20	FUEL INJECTOR
72	20	FUEL INJECTOR
73	20	FUEL INJECTOR
74	20	FUEL INJECTOR
75	20	FUEL INJECTOR
76	20	FUEL INJECTOR
77	20	FUEL INJECTOR
78	20	FUEL INJECTOR
79	20	FUEL INJECTOR
80	20	FUEL INJECTOR
81	20	FUEL INJECTOR
82	20	FUEL INJECTOR
83	20	FUEL INJECTOR
84	20	FUEL INJECTOR
85	20	FUEL INJECTOR
86	20	FUEL INJECTOR
87	20	FUEL INJECTOR
88	20	FUEL INJECTOR
89	20	FUEL INJECTOR
90	20	FUEL INJECTOR
91	20	FUEL INJECTOR
92	20	FUEL INJECTOR
93	20	FUEL INJECTOR
94	20	FUEL INJECTOR
95	20	FUEL INJECTOR
96	20	FUEL INJECTOR
97	20	FUEL INJECTOR
98	20	FUEL INJECTOR
99	20	FUEL INJECTOR
100	20	FUEL INJECTOR

FUSE BLOCK 1

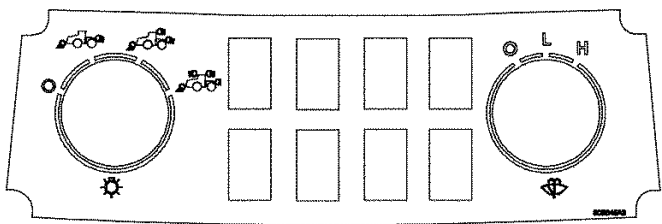
FUSE NUMBER	AMPERE SIZE	CIRCUIT IDENTIFICATION
1	10	IGNITION
2	10	IGNITION
3	10	IGNITION
4	10	IGNITION
5	10	IGNITION
6	10	IGNITION
7	10	IGNITION
8	10	IGNITION
9	10	IGNITION
10	10	IGNITION
11	10	IGNITION
12	10	IGNITION
13	10	IGNITION
14	10	IGNITION
15	10	IGNITION
16	10	IGNITION
17	10	IGNITION
18	10	IGNITION
19	10	IGNITION
20	10	IGNITION
21	10	IGNITION
22	10	IGNITION
23	10	IGNITION
24	10	IGNITION
25	10	IGNITION
26	10	IGNITION
27	10	IGNITION
28	10	IGNITION
29	10	IGNITION
30	10	IGNITION
31	10	IGNITION
32	10	IGNITION
33	10	IGNITION
34	10	IGNITION
35	10	IGNITION
36	10	IGNITION
37	10	IGNITION
38	10	IGNITION
39	10	IGNITION
40	10	IGNITION
41	10	IGNITION
42	10	IGNITION
43	10	IGNITION
44	10	IGNITION
45	10	IGNITION
46	10	IGNITION
47	10	IGNITION
48	10	IGNITION
49	10	IGNITION
50	10	IGNITION
51	10	IGNITION
52	10	IGNITION
53	10	IGNITION
54	10	IGNITION
55	10	IGNITION
56	10	IGNITION
57	10	IGNITION
58	10	IGNITION
59	10	IGNITION
60	10	IGNITION
61	10	IGNITION
62	10	IGNITION
63	10	IGNITION
64	10	IGNITION
65	10	IGNITION
66	10	IGNITION
67	10	IGNITION
68	10	IGNITION
69	10	IGNITION
70	10	IGNITION
71	10	IGNITION
72	10	IGNITION
73	10	IGNITION
74	10	IGNITION
75	10	IGNITION
76	10	IGNITION
77	10	IGNITION
78	10	IGNITION
79	10	IGNITION
80	10	IGNITION
81	10	IGNITION
82	10	IGNITION
83	10	IGNITION
84	10	IGNITION
85	10	IGNITION
86	10	IGNITION
87	10	IGNITION
88	10	IGNITION
89	10	IGNITION
90	10	IGNITION
91	10	IGNITION
92	10	IGNITION
93	10	IGNITION
94	10	IGNITION
95	10	IGNITION
96	10	IGNITION
97	10	IGNITION
98	10	IGNITION
99	10	IGNITION
100	10	IGNITION

874253B

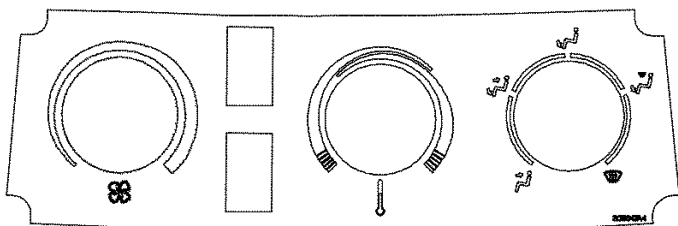
09-58 DECALS

сылка	Номер детали	Кол-во	Описание
1	325926A2	1	DECAL, Safety Warning
2	341953A2	2	DECAL, Articulation Warning
3	435668A1	1	DECAL, Fuel
4	327567A3	1	DECAL, Power Takeoff, Warning
5	404992A1	1	DECAL, New Holland
6	87624282	1	DECAL, Fuse / Relay, Power Shift Transmission
7	87624283	1	DECAL, Fuse / Relay, Manual Shift Transmission
8	9847773	2	NUT, Flg, M5 x .8
9	387030A1	1	DECAL, Main Electronics

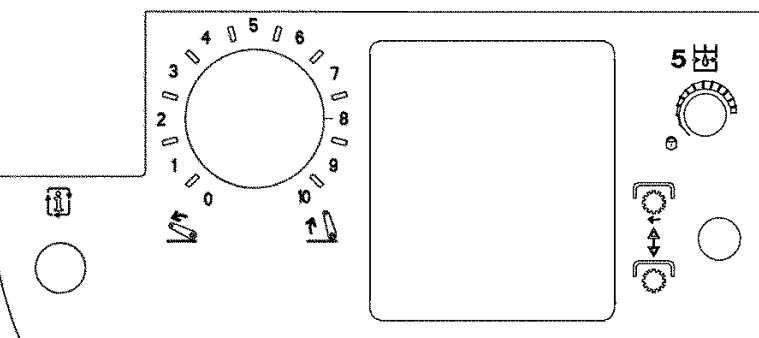
1



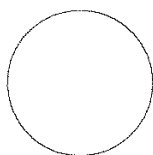
4



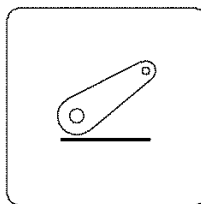
10



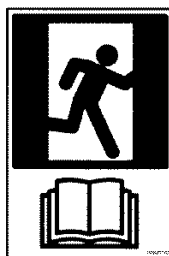
9



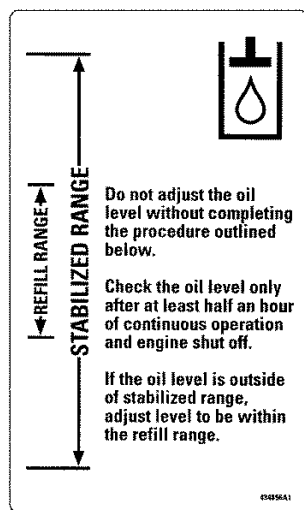
12



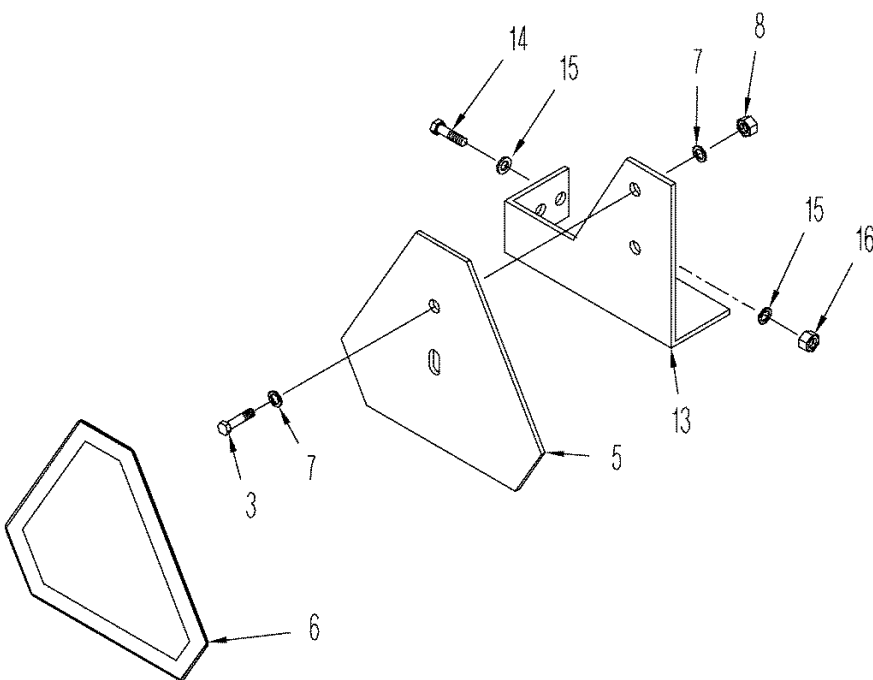
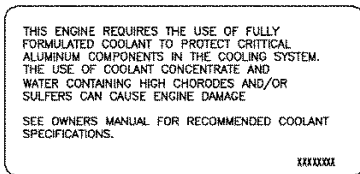
17



2



11



T9040 4WD TRACTOR, ASN (8/07-) - Chassis/Attachments

09-59 DECALS

сылка	Номер детали	Кол-во	Описание
1	431230A1	1	DECAL, Light Panel
2	434856A1	1	DECAL, Hydraulic Oil Level
3	281032	2	BOLT, Hex, 1/4"-20 x 3/4", G8, Full Thd,
4	87450974	1	DECAL, Climate Control, With Automatic Temperature Control
	311860A1	1	EMBLEM, Slow Moving Vehicle (SMV), Inc. 4, 5
5	NSS	1	NOT SERVICED SEPARATELY, Plate, Mounting, SMV
6	311858A1	1	DECAL,
7	87361	2	WASHER, 1/4", SAE,
8	7770	2	NUT, 1/4"-20, G5,
9	87403322	1	DECAL, Insert, Without Power Takeoff
10	87314394	1	DECAL, RH Armrest, Without Three Point Hitch
11	399083A1	1	DECAL, Coolant
12	393821A1	1	DECAL, Three Point Hitch
13	431187A1	1	BRACKET,
14	43248	2	BOLT, Hex, M10 x 40, 10.9, Full Thd,
15	86624176	4	WASHER, M10 x 20 x 2,
16	86514720	2	NUT, LOCK, M10 x 1.5
17	329051A1	1	DECAL, Emergency Exit

T9040 4WD TRACTOR, ASN (8/07-) - Chassis/Attachments

09-60 DECALS

сылка	Номер детали	Кол-во	Описание
1	411564A1	1	DECAL, Range / Gear Shift, 24 Speed, With Manual Shift Transmission
2	431156A2	1	DECAL, Maintenance
3	410704A1	1	DECAL, Instruction Seat
4	87427097	1	DECAL, DANGER, Battery
5	87423866	1	DECAL, Remote Hitch Safety
6	82029421	1	DECAL, WARNING, Radiator Pressure
7	87427096	1	DECAL, Pos. (+) Post
8	87427317	1	DECAL, Neg. (-) Post
9	389794A1	1	DECAL, Hydraulic Coupler, Black, 5 Spool Application
9	432771A1	1	DECAL, Hydraulic Coupler, Green
9	432772A1	1	DECAL, Hydraulic Coupler, Blue
9	432773A1	1	DECAL, Hydraulic Coupler, Ginger
9	440438A1	1	DECAL, Hydraulic Coupler, Grey
10	418215A1	1	DECAL, Ignition Switch
11	87368125	1	DECAL, WARNING, Front Weights
12	A187743	1	DECAL, WARNING, Ground Speed Radar
13	8603092	1	DECAL, WARNING□□DECAL, WARNING□□, WARNING, Do Not Use Ether, T9050, T9030 / 9040

