

ART

NOT

AVAILABLE

DLR STOCK MANDATORY STOCKING LIST

Ref	Part Number	Qty	Description
	87414866	1	RELAY,
	121410A1	5	FUSE, 5 Amp
	121411A1	5	FUSE, 7.5 Amp
	121412A1	5	FUSE, 10 Amp
	121413A1	5	FUSE, 15 Amp
	121414A1	5	FUSE, 20 Amp
	121415A1	5	FUSE, 25 Amp
	121416A1	5	FUSE, 30 Amp
	325289A1	1	BELT, Water Pump, TJ480 / 530, T9050 / 9060
	87366407	1	BELT, Accessory Drive, Alternator & A/C, T9050 / 9060, TJ480 / 530
	87282333	1	BELT, Accessory Drive, TJ380 /430, T9030 / 9040
	355341A1	1	SWITCH, Clutch
	87357396	1	VALVE, SOLENOID, Pulse With Modulation
	87443710	1	FILTER, AIR, Primary
	87443713	1	FILTER, AIR, Secondary
	368459A1	2	RELAY, 70 Amp
	370632A1	1	TUBE,
	371739A1	2	COIL, Solenoid
	87409372	2	Head, Filter, Trans.
	375512A1	2	O-RING,
	375514A1	2	SEAL, OIL, PTO
	375553A1	2	GASKET,
	87408613	1	FILTER, CAB, Recirculated Air
	417927A1	1	SWITCH, Plunger, T9030 / 9040, TJ380 /430
	427581A1	1	GASKET, Master Clutch, TJ380 /430, T9030 / 9040
	428676A1	2	O-RING, Filter
	87408714	2	FILTER, Conical
	86018758	1	FILTER, HYDRAULIC OIL, Main Hydraulic (Below Battery)
	1931099	1	FILTER, ENGINE OIL, , T9030 / 9040, TJ380 /430
	441700A1	1	FILTER, Oil, TJ480 / 530, T9050 / 9060
	87395356	1	FILTER, FUEL, , T9050 / 9060, TJ480 / 530
	441702A1	1	FILTER, COOLANT, , TJ480 / 530, T9050 / 9060
	A186004	1	SENSOR, Engine RPM
	B505572	72	OIL, HYDRAULIC, 5 Gal

ART

NOT

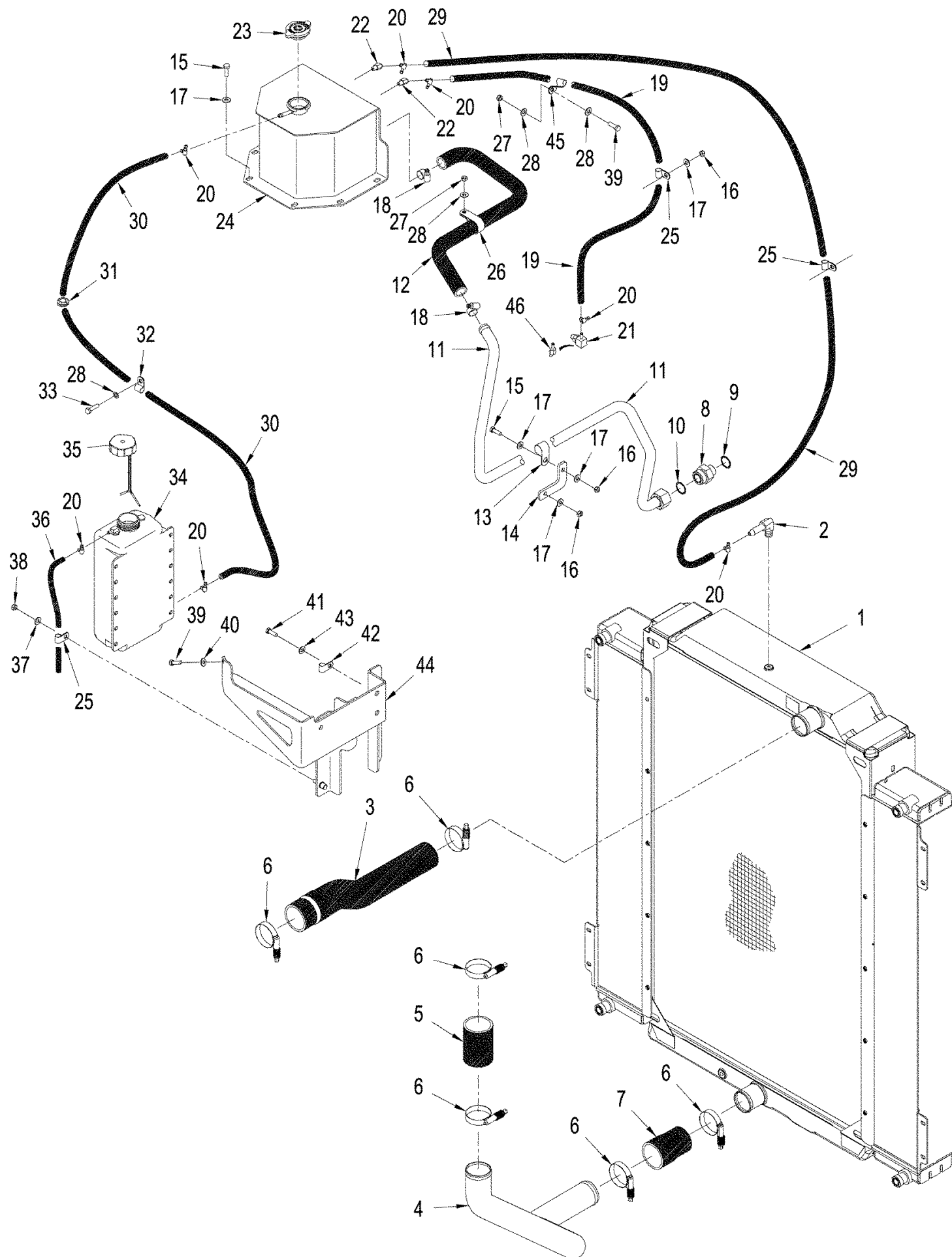
AVAILABLE

DLR STOCK RECOMMENDED STOCKING LIST

Ref	Part Number	Qty	Description
	43263	8	BOLT, Hex, M12 x 60, 10.9,
	392530	6	NUT, M16, CI 10,
	9843612	2	BOLT, Hex, M20 x 100, 10.9,
	9846950	8	BOLT, Hex, M20 x 90, 10.9,
	14458081	2	O-RING, -122, CI 7, 1.112" ID x .103" Thk,
	86624983	6	BOLT, Hex, M16 x 110, 10.9,
	86625266	12	WASHER, M17.5 x 30 x 4, HT,
	86637742	4	O-RING, -246, 70 Duro, 4.484" ID x .139" Thk,
	86639034	4	BOLT, Hex, M16 x 320, 10.9, Full Thd,
	86639145	2	BOLT, Hex, M20 x 130, 10.9,
	827-22080	10	BOLT, Hex, M22 x 80, 10.9, Full Thd,
	86639171	10	BOLT, Hex, M22 x 130, 10.9,
	86639318	10	WASHER,
	86639325	2	WASHER, M10 x 24.5 x 3, HT,
	177250A1	1	SWITCH, LIGHTS,
	228273A1	6	BOLT, M20 x 110, CL 10.9, Hub
	235676A1	1	CONNECTOR,
	239942A3	1	SEAL, Axle
	256305A2	1	POTENTIOMETER, Draft Control
	259012A1	1	POTENTIOMETER,
	86994156	2	FILTER, AIR, A/C
	87432424	1	SEAL, Axle
	279266A1	1	SWITCH,
	365414A1	1	MIRROR, Manual
	360580A1	1	MIRROR, Electric
	A177462	1	MIRROR, Interior
	324437A1	1	MIRROR, REPLACEMENT,
	329737A1	1	HOSE,
	87407241	1	HOSE, Lower Radiator, TJ380 /430, T9030 / 9040
	87437992	1	TUBE, Lower Radiator, TJ480 / 530, T9050 / 9060
	363226A1	1	BUMPER, Door
	87434676	1	SENDER UNIT, Fuel
	371737A1	2	VALVE, SOLENOID,
	371738A1	2	KIT, O-Ring
	375720A1	1	PIN, Drawbar, Cat. 4, 2"
	376530A1	2	SUPPORT, Step
	393878A1	1	PIN, Quick Release
	87454949	1	UNIT, Armrest Controller
	404450A1	2	SENSOR, Trans.
	451767A1	1	BEARING, Pillow Block
	87406903	2	COLLAR CLAMP,
	418506A1	1	SWITCH, Park Brake
	427514A1	2	SEAL, OIL,
	427524A1	2	BREATHING,
	428156A1	1	PLUG,

DLR STOCK RECOMMENDED STOCKING LIST

Ref	Part Number	Qty	Description
	428159A1	2	SEAL, OIL,
	428165A1	2	O-RING,
	86000308	1	KIT, Spider Bearing, 8C
	435439A1	2	MOUNT, RUBBER,
	92269C1	2	LAMP, WORK,
	433479A1	1	CAP, Fuel
	L115548	2	CLAMP,
	L115549	2	CLAMP, , T9030 / 9040, TJ380 /430
	S8820S00F	2	SEAL, OIL,
	87409372	2	Head, Filter, Trans.



TJ530 TRACTOR (1/06-) - Engine

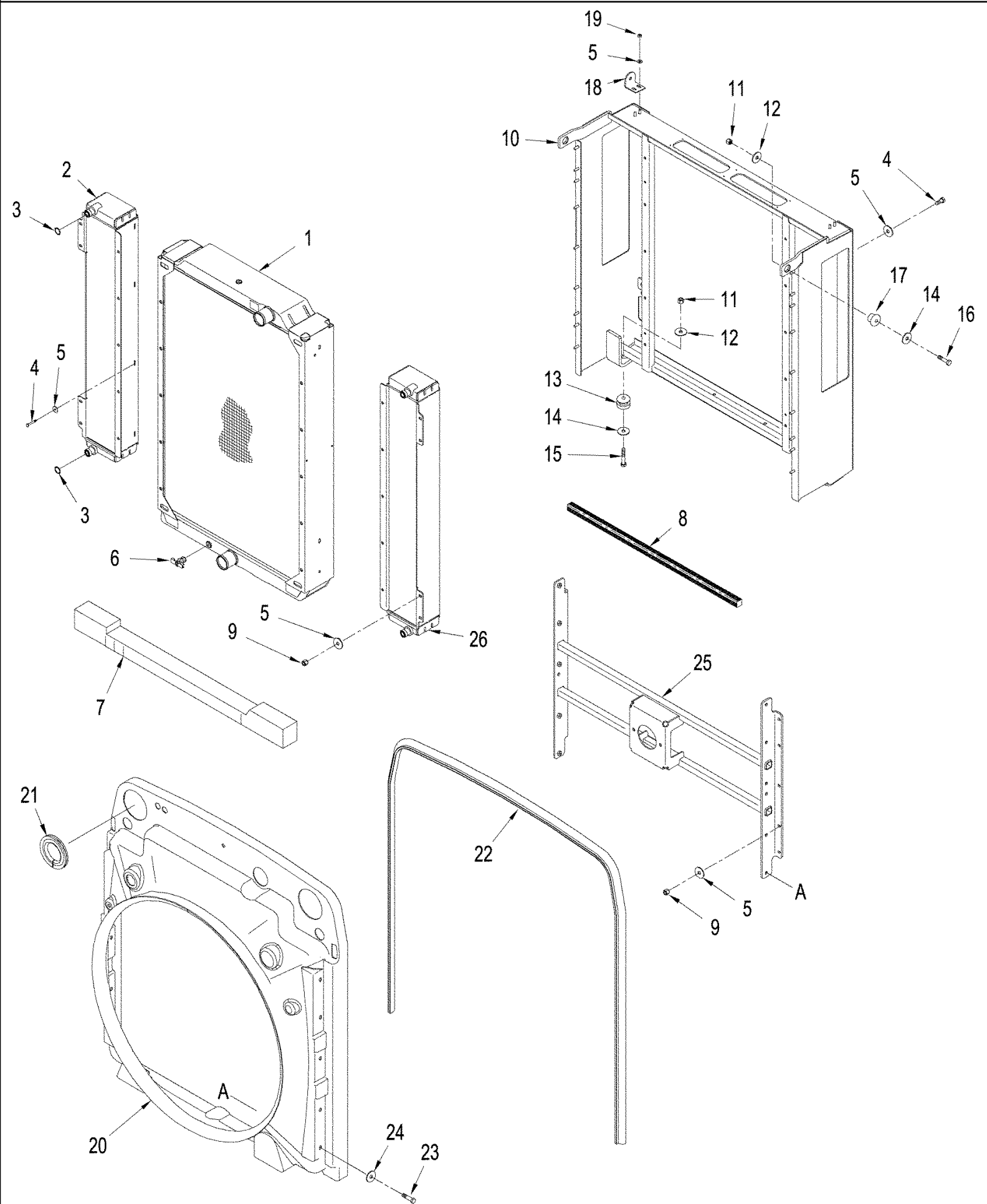
02-02 RADIATOR AND HOSES, TJ480 / 530 & T9050 / 9060

Ref	Part Number	Qty	Description
1	87434388	1	RADIATOR, See Figure: 02-04
2	86637719	1	FITTING, 90c, 1/4" Hose x 1/8" NPTF, Barbed,
3	87304009	1	HOSE, LARGE, Upper Radiator
4	87527082	1	TUBE, Lower Radiator
5	87548058	1	TUBE, Rubber Connector
6	L115548	6	CLAMP, Hose
7	87437994	1	HOSE ASSY., Rubber Connector
8	86639051	1	CONNECTOR, HYD., 1 7/16"-12 ORFS x M27 x 1.5 ORB, Inc. 9 & 10
9	86639045	1	O-RING, CI 6, 23.6MM ID x 2.9 Thk,
10	9824050	1	O-RING, -021, 90 Duro, .926" ID x .070" Thk,
11	87303942	1	TUBE, Engine Coolant
12	86624128	1	FITTING, 1/4" Hose x 1/8" NPTF, Barbed, Engine Coolant
13	515-25254	2	CLAMP, 1", Insul, 1/2" Bolt,
14	413537A1	1	BRACKET, Mounting
15	43234	7	BOLT, Hex, M8 x 25, 10.9,
16	43362	8	NUT, M8, CI 10,
17	86625263	24	WASHER, M8 x 20 x 1.6,
18	507586	2	CLAMP, HOSE, #20, 0.81/1.75 Type F Worm,
19	87438034	1	HOSE, Dearation Tank to Engine Vent
20	574518	6	CLAMP, HOSE, #4, 0.25/0.62 Type M Worm,
21	293823A2	1	FITTING, , Used with 480 Machines - BSN Z7F202492 and 530 Machines - BSN Z7F202479.
22	86625232	2	FITTING, 45c, 1/4" Hose x 1/8" NPTF, Barbed,
23	A170241	1	CAP, RADIATOR, 103 kpa
24	87384580	1	TANK, Dearation
25	86010402	4	CLAMP, 1/2", Insul, 3/8" Bolt,
26	412250	1	NUT, LOCK, M8 x 1.25, CI 8,
27	86500689	3	NUT, M10, CI 10,
28	86624176	6	WASHER, M10 x 20 x 2,
29	87521350	1	HOSE, Dearation Tank to Radiator
30	86508618	1	BOLT, Hex, M10 x 45, 10.9, Dearation Tank to Coolant Recovery Bottle
31	248-2146	1	GROMMET, 5/8" ID x 7/8" Groove Dia,
32	257492	3	CLAMP, 9/16", Insul, 3/8" Bolt,
33	9861444	2	BOLT, Hex, M10 x 20, 10.9, Full Thd,
34	87324174	1	BOTTLE, Coolant Recovery
35	238903A1	1	CAP, FILLER, Coolant Recovery Bottle
36	435460A1	1	HOSE, Overflow, Coolant Recovery Bottle
37	86624184	4	WASHER, M8 x 16 x 1.6,
38	412250	4	NUT, LOCK, M8 x 1.25, CI 8,
39	9846677	2	BOLT, Hex, M10 x 25, 10.9, Full Thd,
40	86625253	1	WASHER, M11 x 24 x 2,
41	9824642	2	BOLT, Hex, M12 x 35, 10.9,
42	86639004	1	CLAMP, 9/16", Insul, 1/2" Bolt,
43	86625255	6	WASHER, M13.5 x 24.5 x 3, HT,
44	87437846	1	BRACKET, Mounting, Coolant Recovery Bottle
45	363660R1	1	CLIP,

TJ530 TRACTOR (1/06-) - Engine

02-02 RADIATOR AND HOSES, TJ480 / 530 & T9050 / 9060

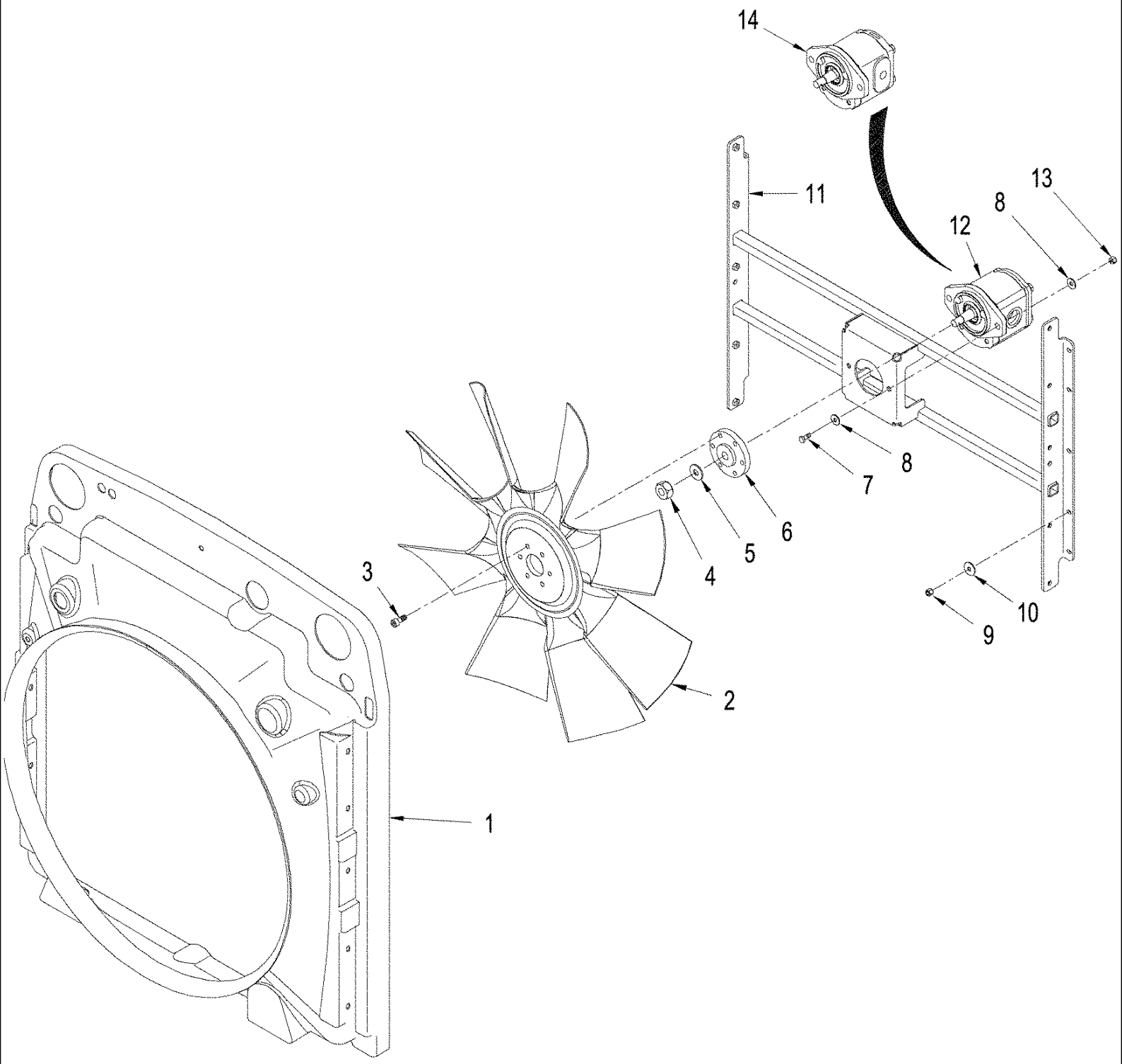
Ref	Part Number	Qty	Description
46	87580873	1	STEM, 45, Used with 480 Machines - ASN Z7F202492 and 530 Machines - ASN Z7F202479



TJ530 TRACTOR (1/06-) - Engine

02-04 RADIATOR MOUNTING AND SHROUD, TJ480 / 530 & T9050 / 9060

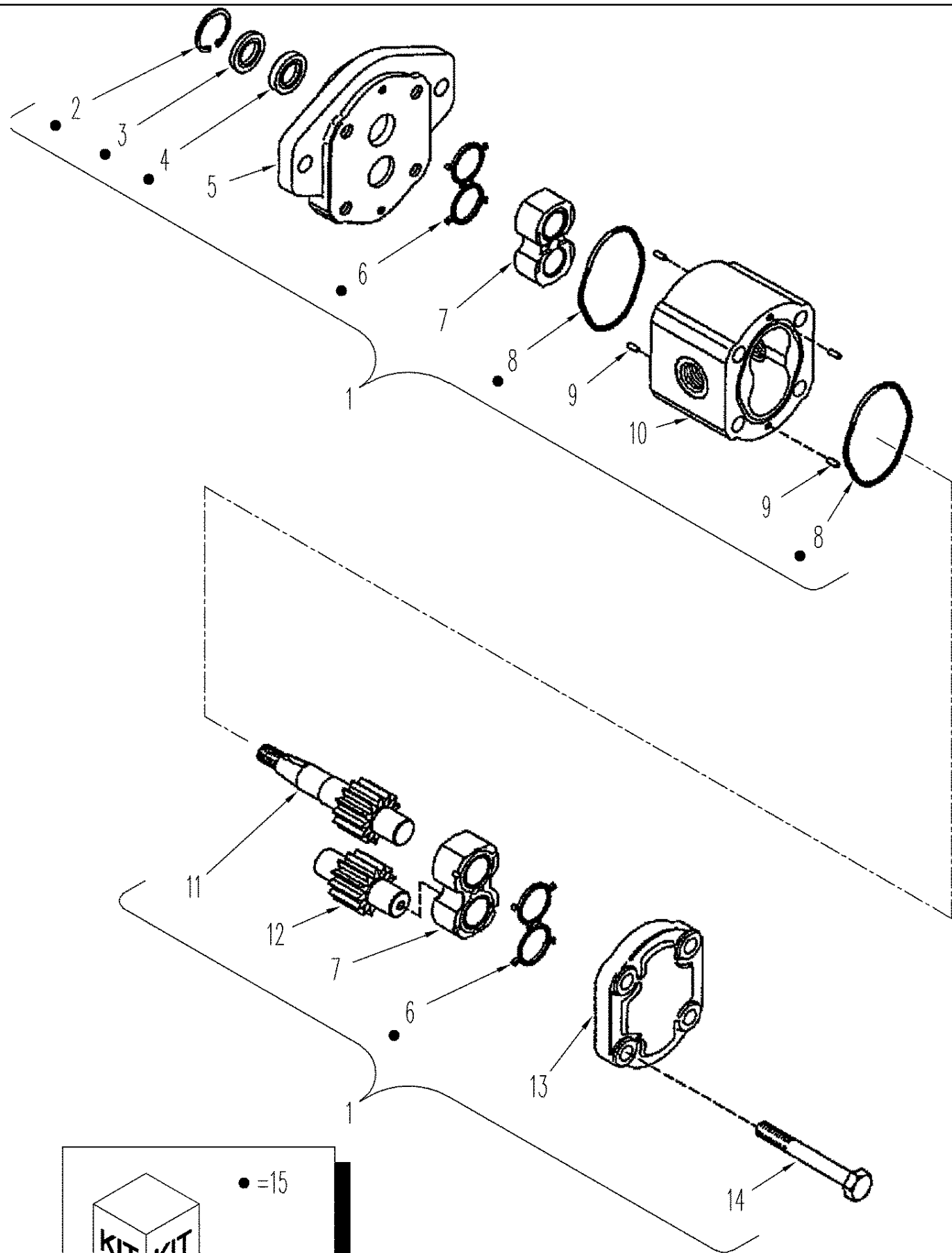
Ref	Part Number	Qty	Description
1	87434388	1	RADIATOR,
2	87304000	1	COOLER, OIL,
3	9991976	4	O-RING, -018, 90 Duro, .739" ID x .070" Thk,
4	43233	14	BOLT, Hex, M8 x 20, 10.9,
5	86625263	46	WASHER, M8 x 20 x 1.6,
6	9672304	1	TUBE, Radiator Drain
7	87303991	1	FOAM, Lower Radiator
8	87438141	1	SEAL, Lower Shroud
9	412250	18	NUT, LOCK, M8 x 1.25, CI 8,
10	87355485	1	SUPPORT,
11	832-10412	4	NUT, LOCK, M12 x 1.75, CI 8,
12	435433A1	4	WASHER, 13.5 x 44.5 x 3mm
13	435465A1	2	MOUNT, RUBBER, Isolator
14	86625255	4	WASHER, M13.5 x 24.5 x 3, HT,
15	412085	2	BOLT, Hex, M12 x 80, 10.9,
16	43263	2	BOLT, Hex, M12 x 60, 10.9,
17	L13142	2	BUSHING, Engine Mount
18	361250A1	2	BRACKET, Mounting, Upper Radiator Frame
19	43362	4	NUT, M8, CI 10,
20	87303558	1	SHROUD, Fan, 38"
21	328196A1	2	SEAL, Bulb
22	87350512	1	SEAL,
23	9846677	10	BOLT, Hex, M10 x 25, 10.9, Full Thd,
24	86625253	10	WASHER, M11 x 24 x 2,
25	87303554	1	BRACKET, Mounting, Hydraulic Fan
26	87389872	1	COOLER, OIL,

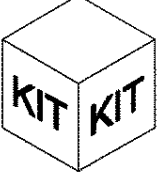


TJ530 TRACTOR (1/06-) - Engine

02-05 HYDRAULIC FAN DRIVE - MOUNTING

Ref	Part Number	Qty	Description
1	87303558	1	SHROUD, Fan, 38"
2	87438155	1	FAN, 38"
3	863-10020	6	SCREW, Hex Soc Hd, M10 x 20, 12.9,
4	429-1110	1	NUT, 5/8"-18, G8,
5	495-11066	1	WASHER, 5/8", SAE, .656" x 1.312" x .095"
6	87387504	1	FAN, Fan
7	827-12045	2	BOLT, Hex, M12 x 45, 10.9, Full Thd,
8	896-11012	4	WASHER, M13.5 x 24.5 x 3, HT,
9	832-10408	10	NUT, LOCK, M8 x 1.25, CI 8,
10	895-15008	10	WASHER, M8 x 20 x 1.6,
11	87303554	1	BRACKET, Mounting
12	87408786	1	MOTOR, HYDRAULIC, Fan Drive, 33 cc, See Figure: 02-06, BSN Z6F200242
13	832-10412	2	NUT, LOCK, M12 x 1.75, CI 8,
14	87356899	1	MOTOR, HYDRAULIC, Fan Drive, 33 cc, See Figure: 02-06 (01), ASN Z6F200242

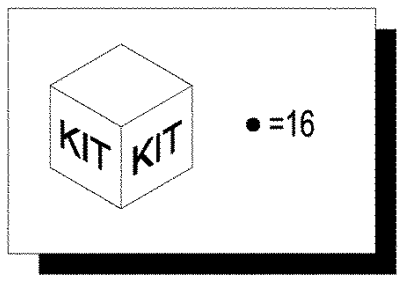
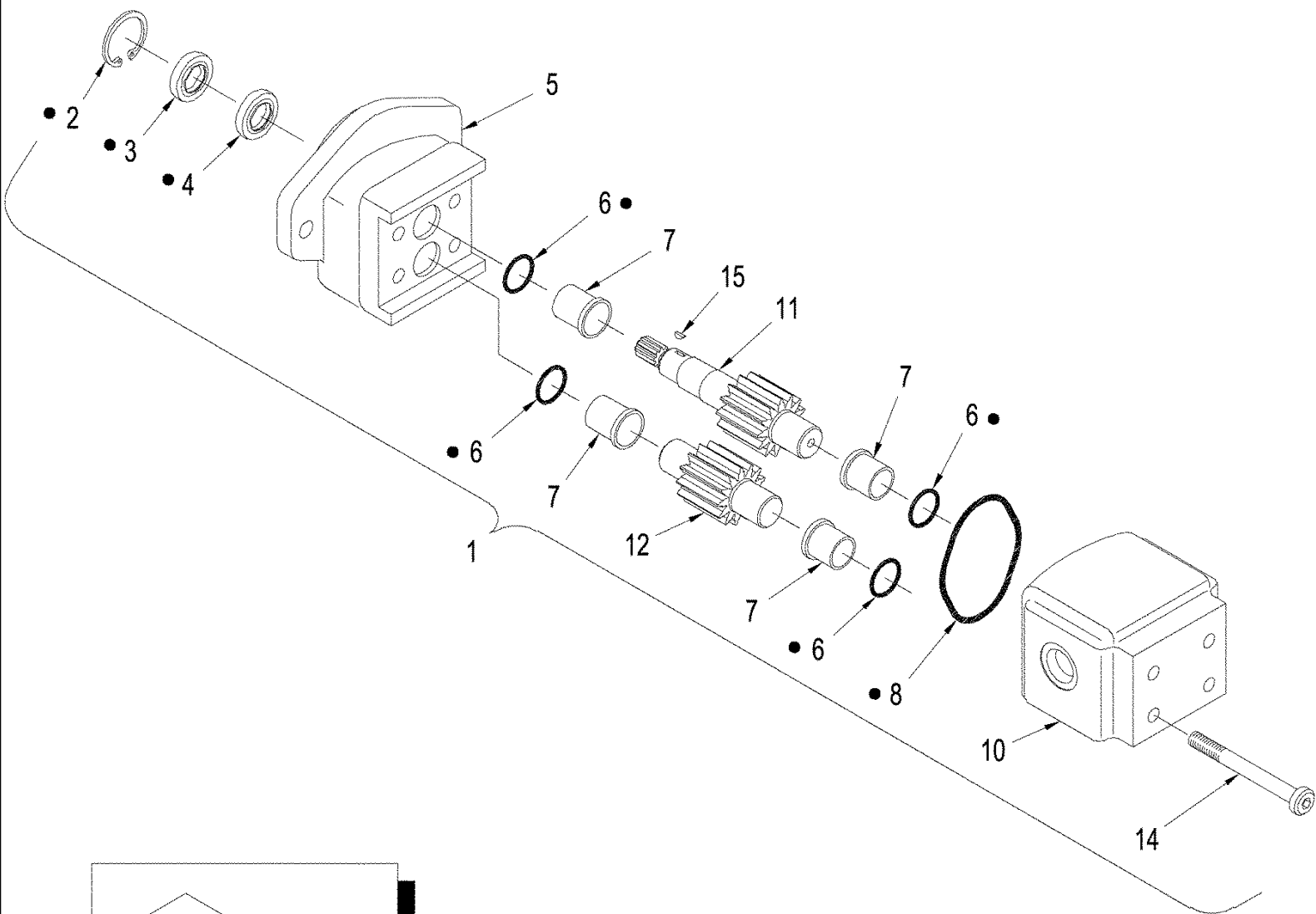


 • =15

TJ530 TRACTOR (1/06-) - Engine

02-06 HYDRUALIC FAN MOTOR ASSY, BSN Z6F200242

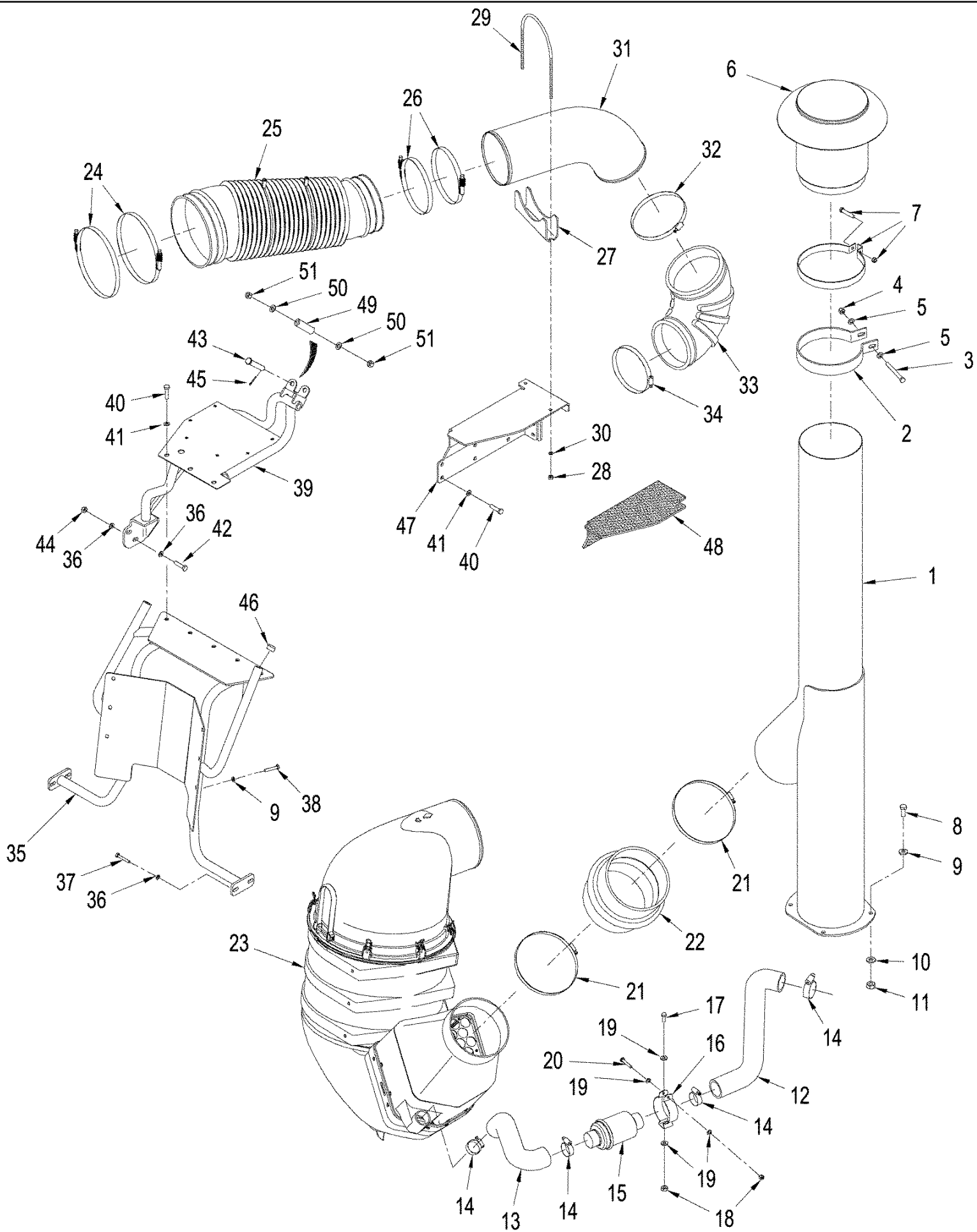
Ref	Part Number	Qty	Description
1	397444A1	1	MOTOR, HYDRAULIC, Hydraulic Fan Drive
2	NSS	1	NOT SERVICED SEPARATELY, Ring, Snap
3	NSS	1	NOT SERVICED SEPARATELY, Seal, Dust
4	NSS	1	NOT SERVICED SEPARATELY, Seal, Shaft
5	NSS	1	NOT SERVICED SEPARATELY, Flange
6	NSS	2	NOT SERVICED SEPARATELY, Seal
7	NSS	2	NOT SERVICED SEPARATELY, Plate, Wear
8	NSS	2	NOT SERVICED SEPARATELY, O-Ring
9	NSS	4	NOT SERVICED SEPARATELY, Pin, Dowel
10	NSS	1	NOT SERVICED SEPARATELY, Housing, Gear, 28 cc
11	NSS	1	NOT SERVICED SEPARATELY, Shaft, Drive Gear
12	NSS	1	NOT SERVICED SEPARATELY, Shaft, Idler Gear
13	NSS	1	NOT SERVICED SEPARATELY, Cover, End
14	NSS	4	NOT SERVICED SEPARATELY, Bolt
15	435698A1	1	KIT, Seal



TJ530 TRACTOR (1/06-) - Engine

02-06(01) HYDRUALIC FAN MOTOR ASSY, ASN Z6F200242

Ref	Part Number	Qty	Description
1	87356899	1	MOTOR, HYDRAULIC, Inc. 1 - 15
2	NSS	1	NOT SERVICED SEPARATELY, Ring, Snap
3	NSS	1	NOT SERVICED SEPARATELY, Seal, Dust
4	NSS	1	NOT SERVICED SEPARATELY, Seal, Shaft
5	NSS	1	NOT SERVICED SEPARATELY, Flange
6	NSS	2	NOT SERVICED SEPARATELY, Seal
7	NSS	4	NOT SERVICED SEPARATELY, Bushing
8	NSS	1	NOT SERVICED SEPARATELY, O-Ring
9	NSS	4	NOT SERVICED SEPARATELY, Washer
10	NSS	1	NOT SERVICED SEPARATELY, Housing, Gear
11	NSS	1	NOT SERVICED SEPARATELY, Shaft, Drive Gear
12	NSS	1	NOT SERVICED SEPARATELY, Shaft, Idler Gear
13	NSS	4	NOT SERVICED SEPARATELY, Nut
14	NSS	4	NOT SERVICED SEPARATELY, Bolt
15	NSS	1	NOT SERVICED SEPARATELY, Key, Woodruff
16	435698A1	1	KIT, Seal



TJ530 TRACTOR (1/06-) - Engine

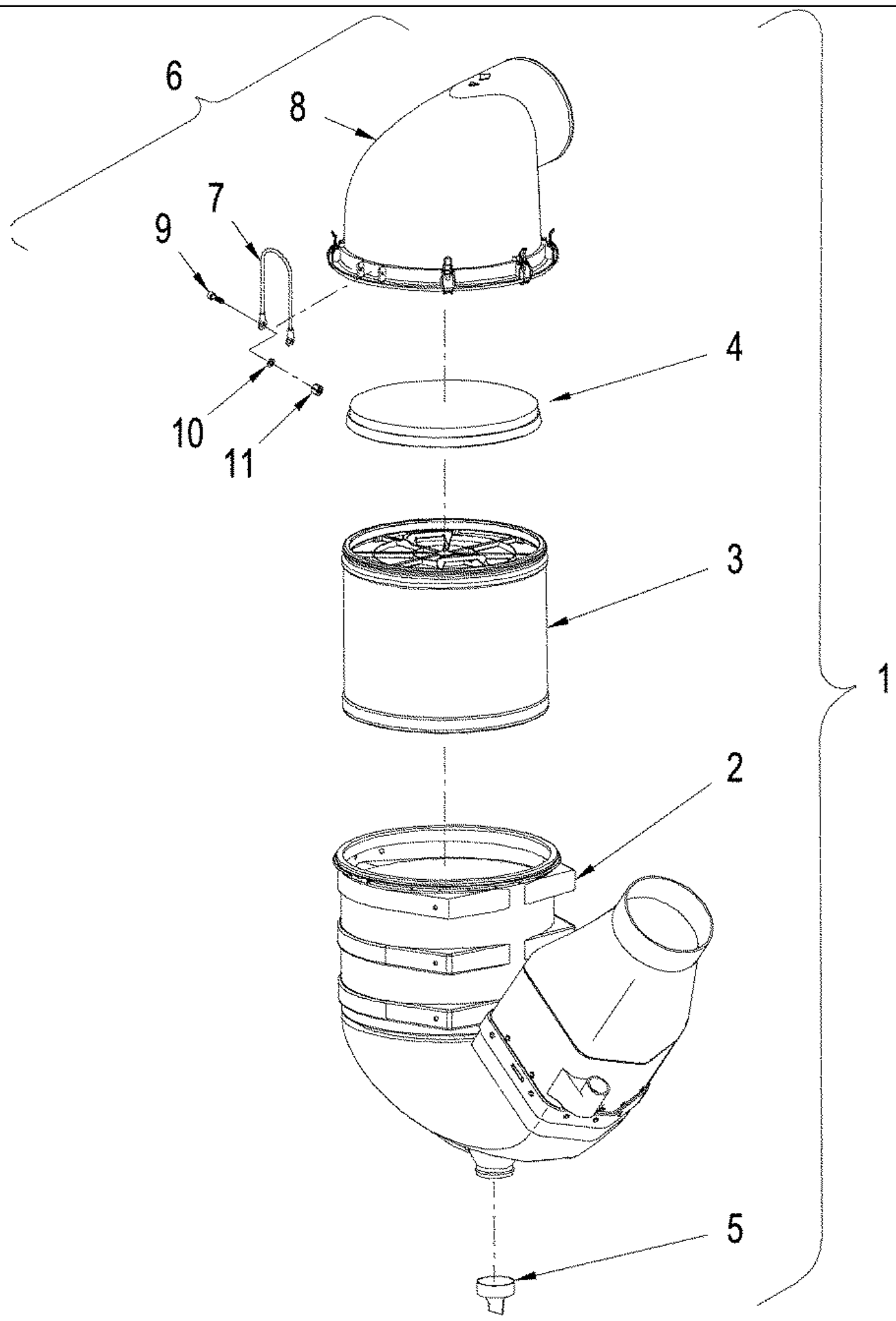
02-08 AIR INDUCTION SYSTEM, TJ480 / 530 & T9050 / 9060

Ref	Part Number	Qty	Description
1	87673448	1	TUBE, AIR INTAKE,
2	87644727	1	CLAMP, Muffler
3	43253	1	BOLT, Hex, M10 x 100, 10.9,
4	412141	1	NUT, LOCK, M10 x 1.5, CI 8,
5	86624176	1	WASHER, M10 x 20 x 2,
6	87443716	1	PRESCREENER ASSY., Muffler, Inc. 7
7	87443800	1	CLAMP, COLLAR,
8	43248	4	BOLT, Hex, M10 x 40, 10.9, Full Thd,
9	86625252	10	WASHER, M10 x 21.5 x 2.5, HT,
10	86639325	4	WASHER, M10 x 24.5 x 3, HT,
11	100037	4	NUT, M10 x 1.5, CI 8,
12	87630063	1	HOSE, Aspirator, Check Valve to Muffler
13	87304243	1	HOSE, Aspirator, Air Cleaner to Check Valve
14	86625019	4	CLAMP, HOSE, 1.75/2.625 HD Worm, W/liner,
15	87443913	1	VALVE, Check
16	87300581	1	CLAMP, Check Valve
17	43235	1	BOLT, Hex, M8 x 30, 10.9,
18	412250	4	NUT, LOCK, M8 x 1.25, CI 8,
19	86624184	3	WASHER, M8 x 16 x 1.6,
20	86639210	1	BOLT, Hex, M8 x 45, 10.9,
21	214-32144	2	CLAMP, HOSE, 8.25/9.125 HD Worm, W/liner, Hose
22	87443802	1	HOSE, 203 mm (8")
23	87443705	1	AIR CLEANER, See Figure: 02-09
24	87443916	2	CLAMP, SPECIAL,
25	87367573	1	DUCT, AIR, Intake
26	87437258	2	CLAMP,
27	87309822	1	BRACKET, SUPPORTING, Intake
28	86050277	2	NUT, LOCK, 5/16"-18, GB, 5/16", G8
29	87310919	1	U-BOLT,
30	87362	2	WASHER, 5/16" SAE,
31	87690960	1	TUBE, AIR INTAKE,
32	86637710	1	CLAMP, HOSE, 7.25/8.125 HD Worm, W/liner, 8"
33	87327365	1	TUBE, AIR INTAKE, , TJ480, T9050
33	87317551	1	TUBE, AIR INTAKE, , TJ530, T9060
34	86633350	1	CLAMP, HOSE, 6.25/7.125 HD Worm, W/liner, 7"
35	87521399	1	SUPPORT, Rear Hood
36	896-11012	4	WASHER, M13.5 x 24.5 x 3, HT,
37	627-12040	4	BOLT, Hex, M12 x 40, 10.9, Full Thd,
38	627-10020	6	BOLT, Hex, M10 x 20, 10.9, Full Thd,
39	87445268	1	TUBE, SUPPORT, Hood, BSN Z7F202470
39	87589705	1	SUPPORT, Hood, ASN Z7F202470
40	627-12030	8	BOLT, Hex, M12 x 30, 10.9,
41	896-15012	8	WASHER, M12 x 28.5 x 4, HT,
42	627-12040	3	BOLT, Hex, M12 x 40, 10.9, Full Thd,
43	728-16100	1	PIN, CLEVIS, M16 x 100, , BSN Z7F202470

TJ530 TRACTOR (1/06-) - Engine

02-08 AIR INDUCTION SYSTEM, TJ480 / 530 & T9050 / 9060

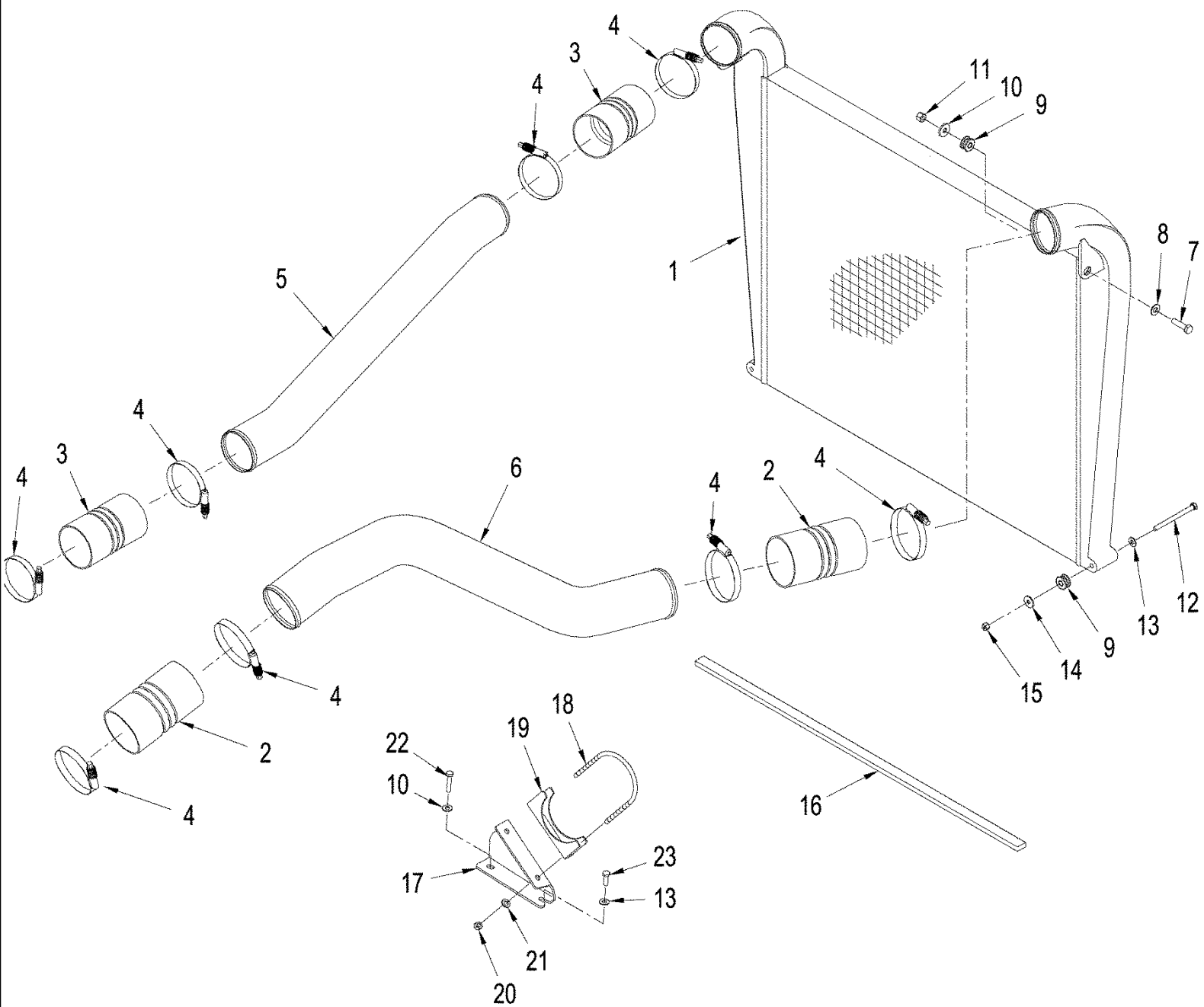
Ref	Part Number	Qty	Description
44	829-1412	3	NUT, M12, CI 10,
45	733-4032	1	PIN, SPLIT (COTTER), M4 x 32, , BSN Z7F202470
46	353-408	2	PLUG, Dome, .750" hole, Nylon,
47	87309821	1	BRACKET, Air Intake Tube, BSN Z7F202470
47	87580202	1	SUPPORT, Air Intake Tube, ASN Z7F202470
48	87310874	1	INSULATION, FOAM, Ait Intake, ASN Z7F202470
49	827-10120	1	BOLT, Hex, M10 x 120, 10.9, , ASN Z7F202470
50	87550203	1	BUSHING, GUIDE, Latch Pin, ASN Z7F202470
51	832-10410	2	NUT, LOCK, M10 x 1.5, CI 8, , ASN Z7F202470



TJ530 TRACTOR (1/06-) - Engine

02-09 AIR CLEANER ASSEMBLY

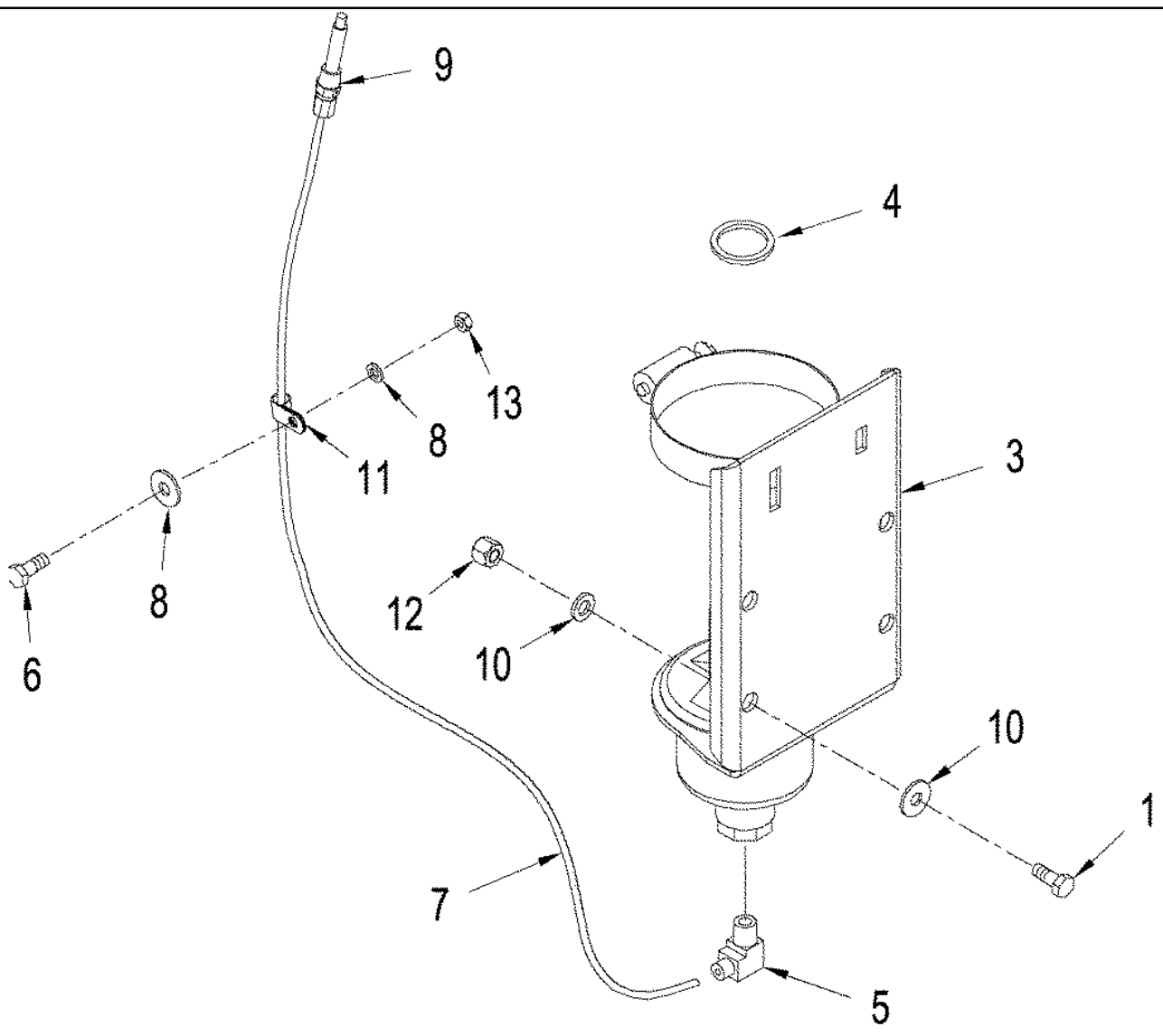
Ref	Part Number	Qty	Description
1	87444727	1	FILTER, AIR, Cleaner, Inc. 2 thru 6, T9030 / 9040, TJ380 /430
1	87443705	1	AIR CLEANER, Cleaner, Inc. 2 thru 6, TJ480 / 530, T9050 / 9060
2	87367918	1	PRE-CLEANER ASSY, AIR, , TJ380 /430, T9030 / 9040
2	87368008	1	PRE-CLEANER ASSY, AIR, , TJ480 / 530, T9050 / 9060
3	87443710	1	FILTER, AIR, Primary Element
4	87443713	1	FILTER, AIR, Safety Element
5	S113982	1	CAP, Rubber
6	87443715	1	COVER, FILTER, Cover, Air , Inc. 7 - 11
7	87389246	1	HANDLE,
8	87341276	1	COVER, TOP,
9	627-6016	2	BOLT, Hex, M6 x 16, 10.9,
10	892-11006	2	WASHER, LOCK, M6,
11	829-1406	2	NUT, M6, CI 10,



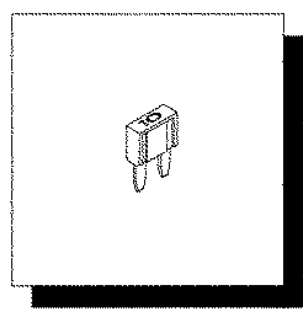
TJ530 TRACTOR (1/06-) - Engine

02-11 AIR COOLER MOUNTING, TJ480 / 530 & T9050 / 9060

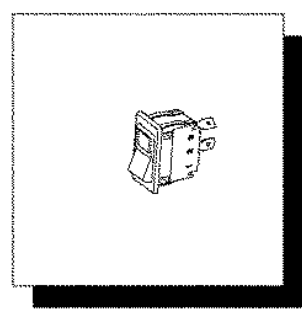
Ref	Part Number	Qty	Description
1	87434343	1	COOLER, Charged Air
2	251400A1	2	BELLOWS, RH
3	87306140	2	BELLOWS, LH
4	87599617	10	CLAMP, SPECIAL,
5	87434347	1	TUBE, AIR INTAKE, Charged Air, LH
6	87364150	1	TUBE, Charged Air, RH
7	43248	2	BOLT, Hex, M10 x 40, 10.9, Full Thd,
8	86624186	2	WASHER, 13/32" x 1 1/8" x .134",
9	434177A1	4	MOUNT, RUBBER,
10	86625253	1	WASHER, M11 x 24 x 2,
11	412141	2	NUT, LOCK, M10 x 1.5, CI 8,
12	86516527	2	BOLT, Hex, M8 x 110, 10.9,
13	87447450	2	ISOLATOR, Cooler Mounting
14	87024879	2	WASHER, .344" x 1" x .098" Thk
15	412250	2	NUT, LOCK, M8 x 1.25, CI 8,
16	87438150	1	SEAL, Foam, Lower Air Cooler
17	87343564	1	BRACKET, Mounting
18	87343552	1	U-BOLT,
19	87343557	1	CLAMP, Charged Air Intake
20	9628503	2	NUT, 3/8"-16, G5,
21	495-51041	2	WASHER, 3/8",
22	827-10050	2	BOLT, Hex, M10 x 50, 10.9,
23	496-81028	2	WASHER, 13/32" x 1 1/4" x .134", HDN,



14



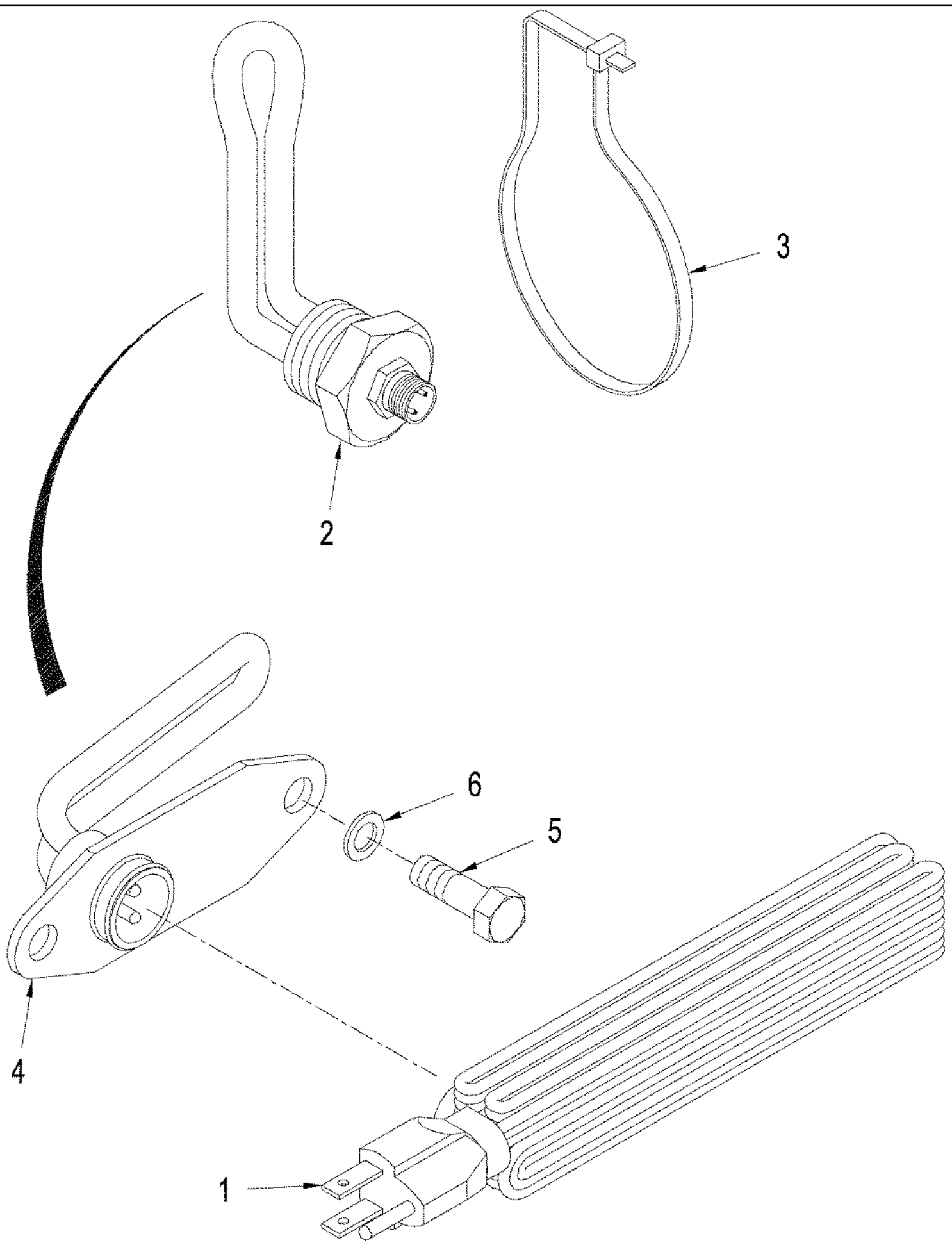
2



TJ530 TRACTOR (1/06-) - Engine

02-12 ETHER START SYSTEM

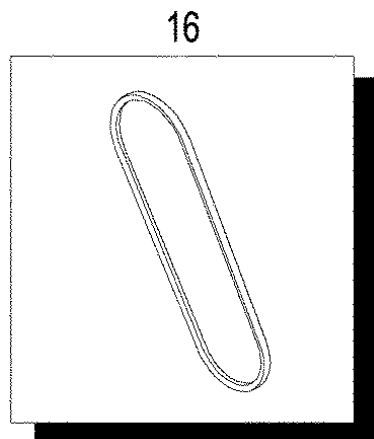
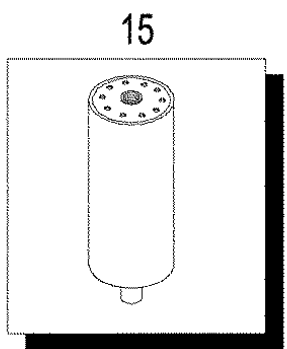
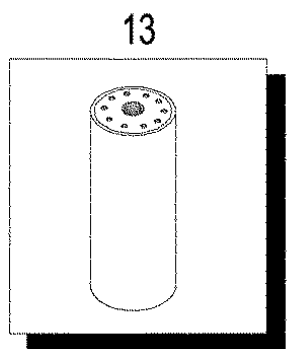
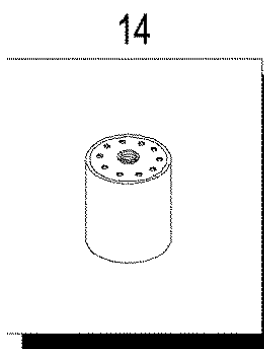
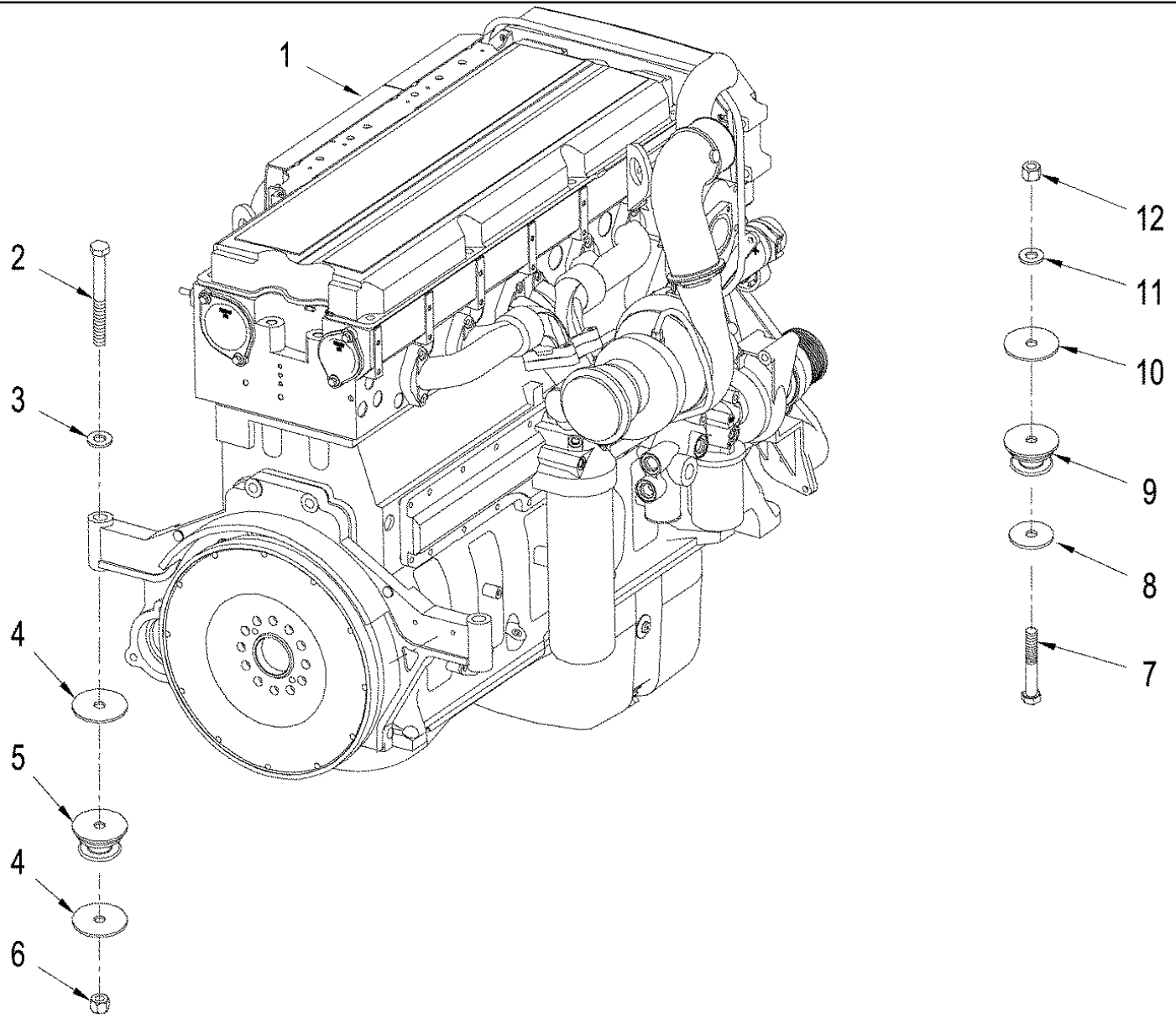
Ref	Part Number	Qty	Description
1	86505530	4	BOLT, Hex, M6 x 20, 10.9,
2	229364A1	1	SWITCH, Rocker, Ether Start
	392355A1	1	SOLENOID, Control, Electrical, Inc. 3 - 5
3	NSS	1	NOT SERVICED SEPARATELY, Valve, Control
4	392377A1	1	GASKET, Ether Start
5	48565	1	ELBOW, 90e, 5/16"-24 x 1/8" NPT, Comp, 90, 1/8 tube OD x 1/8 PT
6	627-8020	1	BOLT, Hex, M8 x 20, 10.9,
7	87335472	1	HOSE, Ether
8	895-11008	2	WASHER, M8 x 16 x 1.6,
9	339866A2	1	NOZZLE INJECTION, Atomizer
10	86624181	8	WASHER, M6,
11	515-2332	1	CLAMP, 1/4", Insul, 3/8" Bolt,
12	86500688	4	NUT, M6, CI 10,
13	829-1408	1	NUT, M8, CI 10,
14	121412A1	1	FUSE, 10 Amp



TJ530 TRACTOR (1/06-) - Engine

02-13 BLOCK HEATER

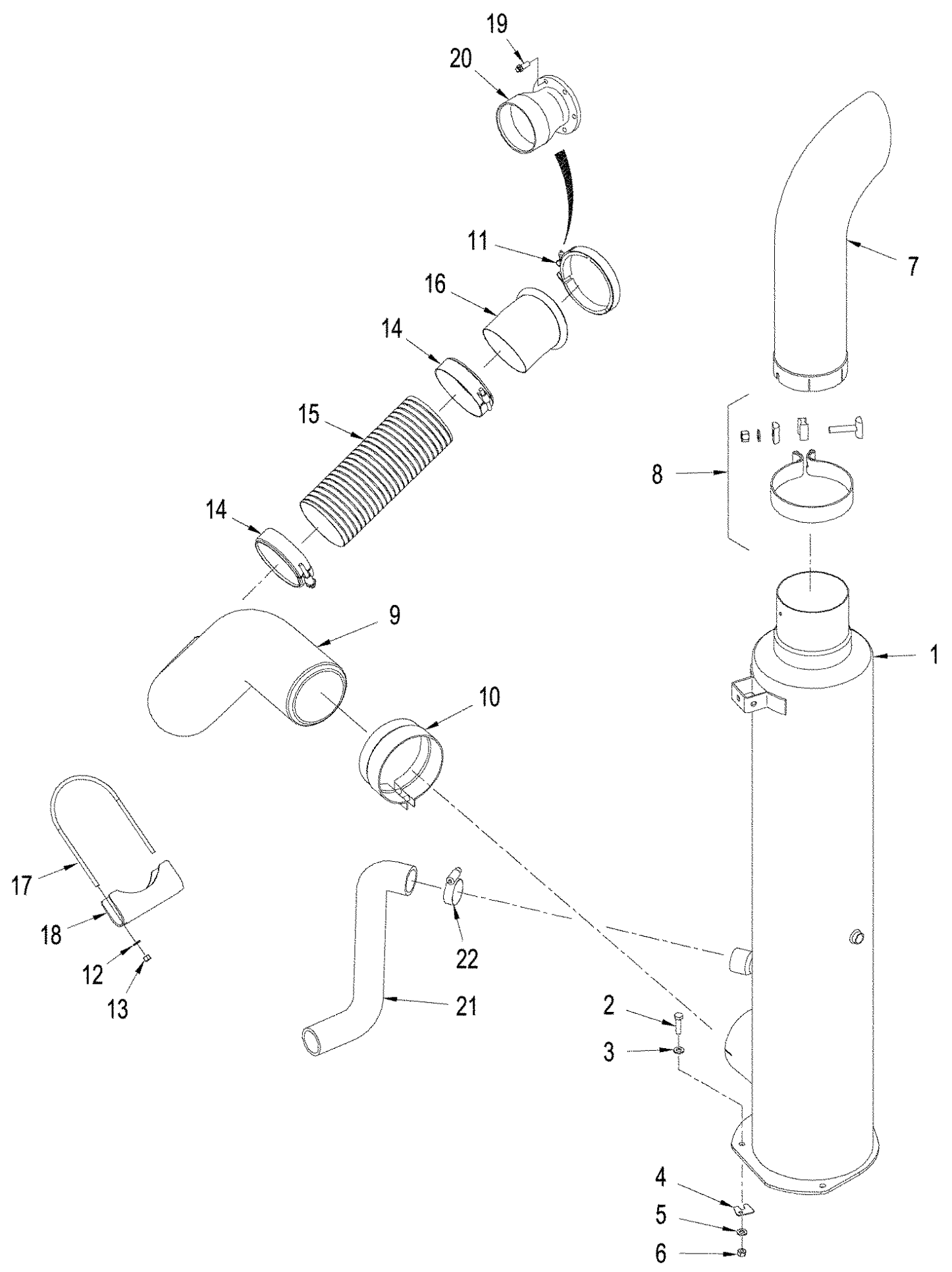
Ref	Part Number	Qty	Description
1	196466A1	1	CABLE, ELECTRIC, 1829 mm (72 in)
2	87413582	1	HEATER, 120V, T9030 / 9040, TJ380 /430
3	19-135	1	STRAP,
4	338862A1	1	HEATER, 120V, T9050 / 9060 - For block heater gasket order P/N 3688557 from Cummins, TJ480 / 530 - For block heater gasket order P/N 3688557 from Cummins
5	9861444	2	BOLT, Hex, M10 x 20, 10.9, Full Thd, , TJ480 / 530, T9050 / 9060
6	86625251	2	WASHER, M10 x 18 x 1.6, , T9050 / 9060, TJ480 / 530



TJ530 TRACTOR (1/06-) - Engine

02-15 ENGINE MOUNTING AND ATTACHING PARTS, TJ480 / 530 & T9050 / 9060

Ref	Part Number	Qty	Description
1	NSS	1	NOT SERVICED SEPARATELY, Engine, Cummins
2	827-20220	2	BOLT, Hex, M20 x 220, 10.9,
3	896-15020	2	WASHER, M20 x 44.5 x 5, HT,
4	379611A1	4	WASHER, Engine Mounting, Rear
5	361187A1	2	ISOLATOR, Rubber, Engine Mounting
6	832-10420	2	NUT, LOCK, M20 x 2.5, CI 8,
7	86624983	2	BOLT, Hex, M16 x 110, 10.9,
8	86637662	2	WASHER, Engine Mounting, Front
9	435439A1	2	MOUNT, RUBBER, Engine
10	435471A1	2	WASHER, .656" x 3.50" x .187" Thk, Engine Mounting, Front
11	86624156	2	WASHER, 21/32" x 1 1/2" x .188", HDN, .656" x 1.50" x .188" Thk
12	412066	2	NUT, LOCK, M16 x 2, CI 8,
13	441700A1	1	FILTER, Engine Oil
14	441702A1	1	FILTER, COOLANT,
15	87395356	1	FILTER, FUEL,
16	325289A1	1	BELT, Water Pump
16	87366407	1	BELT, Accessory Drive, Alternator & A/C

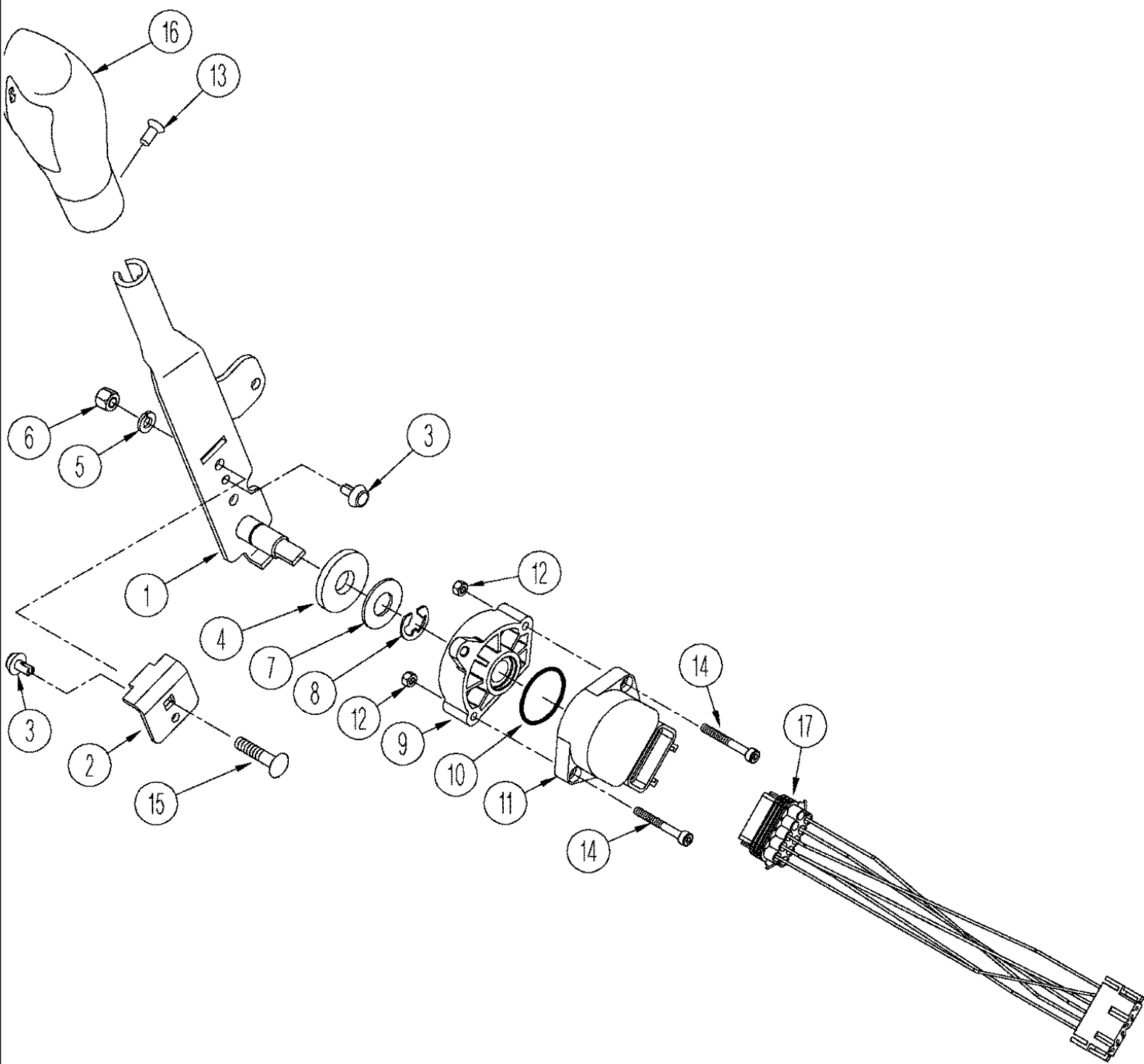


TJ530 TRACTOR (1/06-) - Engine

02-17 EXHAUST SYSTEM, TJ480 / 530 & T9050 / 9060

Ref	Part Number	Qty	Description
1	87443197	1	MUFFLER, with Spark Arrestor
1	87350582	1	MUFFLER, without Spark Arrestor
2	43248	4	BOLT, Hex, M10 x 40, 10.9, Full Thd,
3	86625252	4	WASHER, M10 x 21.5 x 2.5, HT,
4	404824A1	AR	SHIM, Engine Mounting
5	86639325	2	WASHER, M10 x 24.5 x 3, HT,
6	100037	4	NUT, M10 x 1.5, CI 8,
7	87430632	1	ELBOW, Exhaust, Inc. 8
8	87430634	1	CLAMP, Muffler
9	87319256	1	TUBE, Exhaust, Double Wall
10	357686A1	1	CLAMP, Exhaust
11	31-1316	1	MOUNTING CLIP, , TJ530, T9050
12	87362	2	WASHER, 5/16" SAE,
13	86050277	2	NUT, LOCK, 5/16"-18, GB,
14	87406903	2	COLLAR CLAMP, Exhaust
15	87376393	1	TUBE, Flexible
16	87319225	1	FLANGE,
17	87407079	1	U-BOLT, 6"
18	87443358	1	BRACKET, SUPPORTING, Support
19	86639302	6	SCREW, 12 Pt Hd, M10 x 25, 12.9, , TJ480, T9040
20	87327027	1	ELBOW, Exhaust, T9040, TJ480
21	43248	1	BOLT, Hex, M10 x 40, 10.9, Full Thd, Aspirator
22	86500689	1	NUT, M10, CI 10, Hose

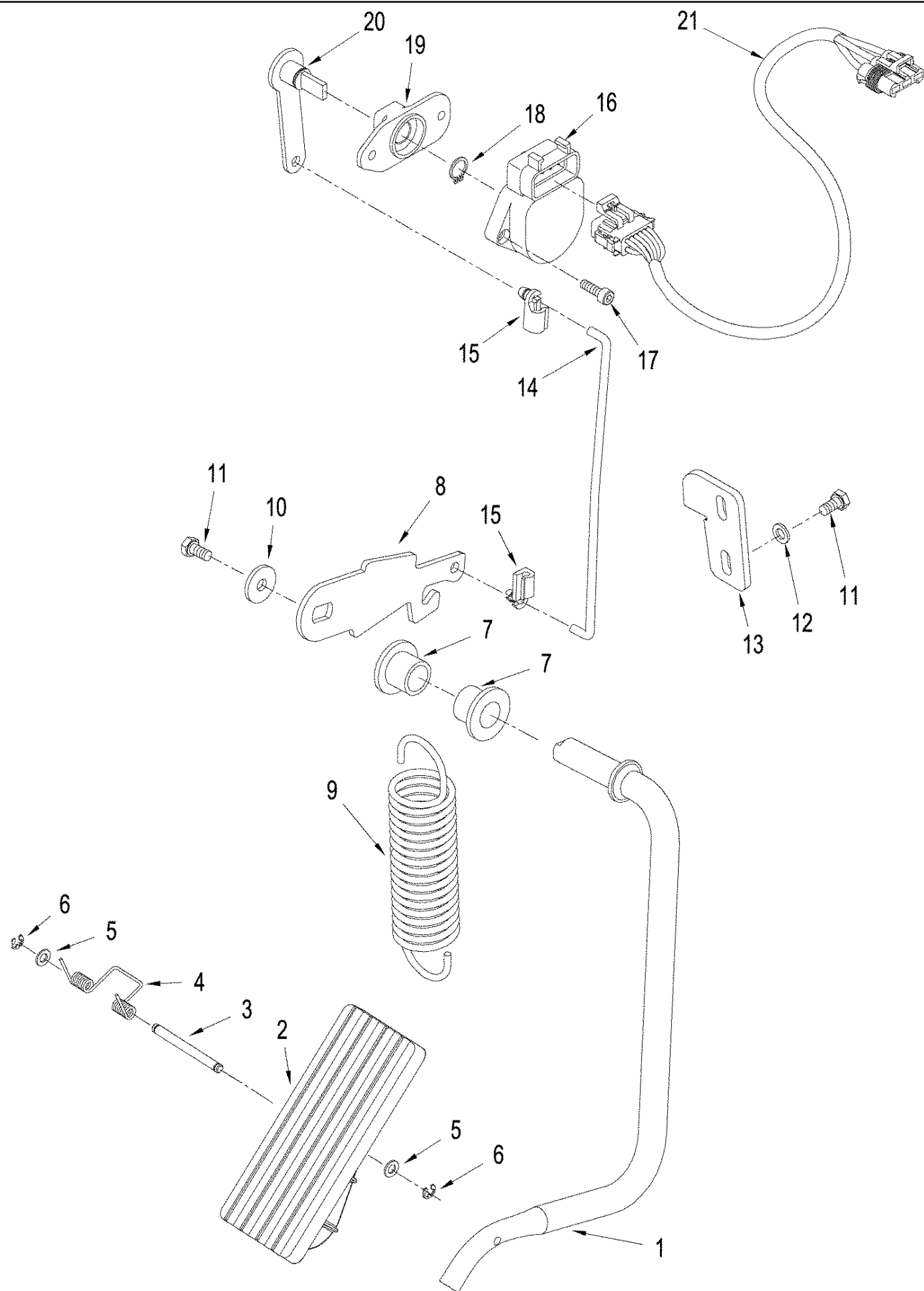
03-01 THROTTLE



TJ530 TRACTOR (1/06-) - Fuel System

03-01 THROTTLE

Ref	Part Number	Qty	Description
1	414193A2	1	BRACKET, Throttle, With Manual Shift Transmission with ARU, With Power Shift Transmission
1	410029A2	1	BRACKET, Throttle, With Manual Shift Transmission without ARU
2	258734A2	1	SUPPORT, Throttle Friction Device
3	259040A1	2	PAD, WEAR,
4	237486A1	1	WASHER,
5	86517328	1	WASHER, LOCK, M6,
6	393392	1	NUT, LOCK, M6 x 1, CI 8,
7	88538	1	WASHER, LOCK, Ext-Int Tooth, 1/4",
9	239491A1	1	BUSHING,
10	9824051	1	O-RING, -.025, 90 Duro, 1.176" ID x .070" Thk,
11	259012A1	1	POTENTIOMETER, Throttle Control, With Power Shift Transmission, With Manual Shift Transmission with ARU
11	402751A1	1	POTENTIOMETER, Throttle Control, With Manual Shift Transmission without ARU
12	385681	2	NUT, LOCK, M4 x .7, CI 8,
13	86639303	1	SCREW, Hex Soc Flat Hd, M5 x 12, 10.9,
14	86639295	2	SCREW, Socket, M4 x 35; 8.8
15	86512441	1	BOLT, CARRIAGE, Short NK, M6 x 30, CI8.8, Full Thd,
16	413805A1	1	HANDLE, Throttle, See Figure : 06-01, With Manual Shift Transmission with ARU
16	413804A2	1	HANDLE, Throttle, See Figure, 06-01, With Power Shift Transmission
16	431530A1	1	HANDLE, Throttle, See Figure(s) : 06-01, With Manual Shift Transmission without ARU
17	276352A1	1	HARNESS, Electronic Throttle, With Power Shift Transmission, With Manual Shift Transmission with ARU
8	9635806	1	CIRCLIP, #50, .392" Dia, E-Type,



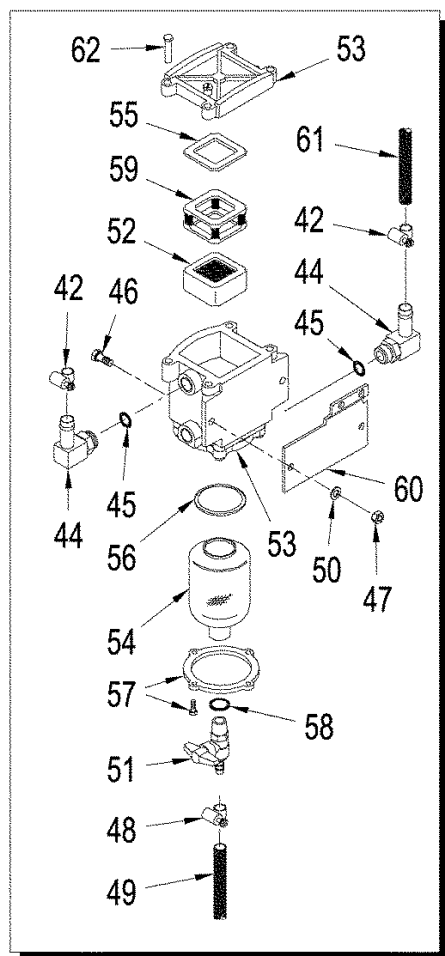
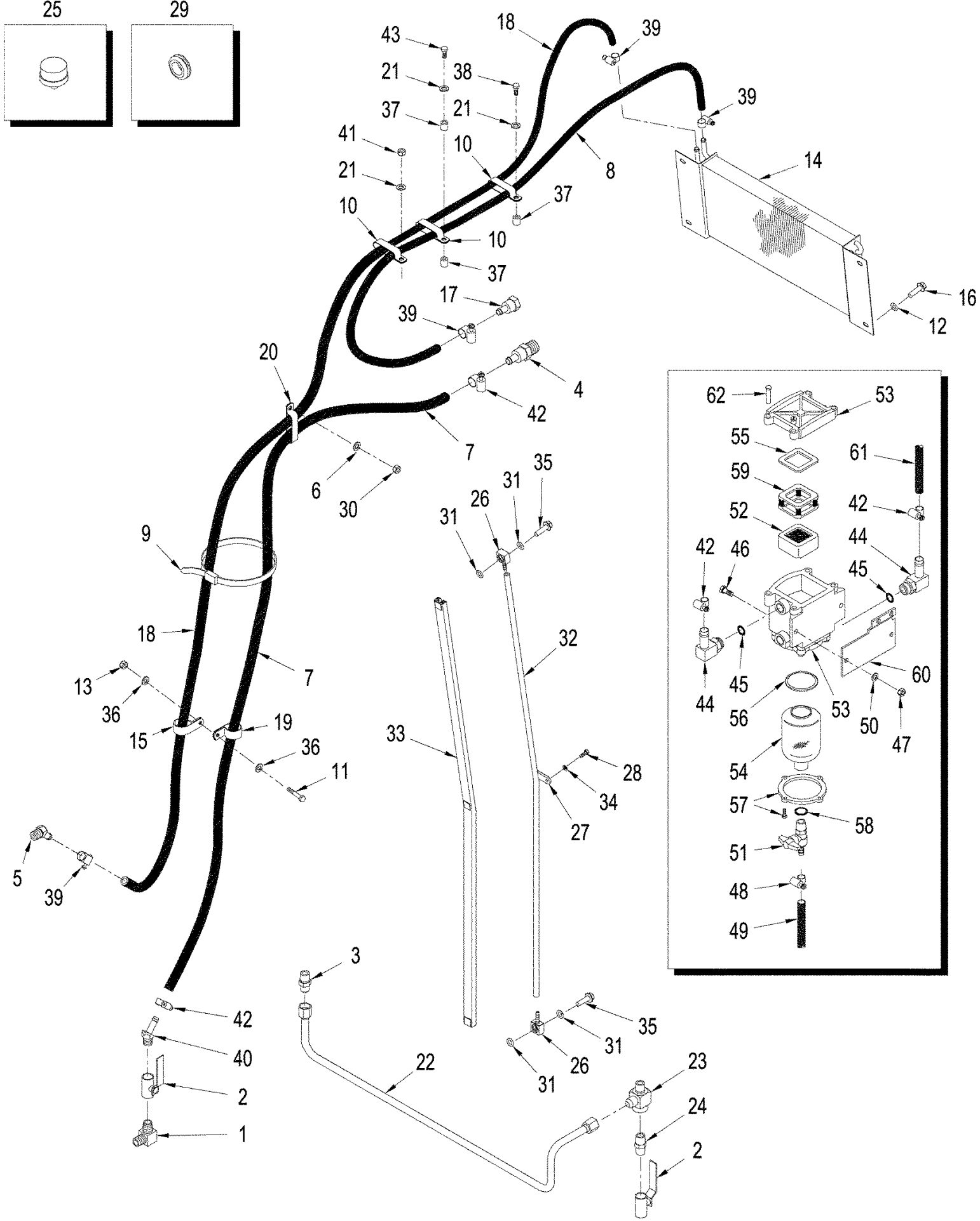
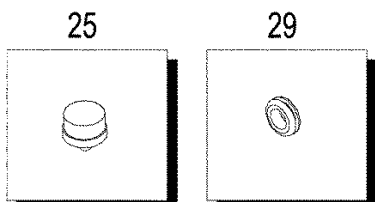
TJ530 TRACTOR (1/06-) - Fuel System

03-02 THROTTLE - DECELARATOR CONTROL, ASN Z6F202011

Ref	Part Number	Qty	Description
1	328353A2	1	ROD, Decelerator
2	298842A1	1	SKID/SHOE, Foot Throttle
3	255291A1	1	PIN, Foot Throttle
4	256776A1	1	SPRING,
6	86632599	2	CIRCLIP, M5,
7	300891A1	2	BEARING, Support
8	248844A1	1	LEVER, Decel
9	278211A1	1	SPRING, Extension
10	396-41028	1	WASHER, 6,6 x 25 x 1.6 mm
11	86508616	3	BOLT, Hex, M6 x 12, 10.9,
12	86624181	2	WASHER, M6,
13	281115A1	1	BRACKET, Decel Stop
14	281125A1	1	ROD, Potentiometer Connecting
15	435473A1	2	RETAINER, Plastic Rod
16	259012A1	1	POTENTIOMETER, Throttle Control
17	86639296	2	SCREW, M5 x 16; 8.8
18	300624	1	RING, SNAP, M12, Ext,
19	258524A2	1	BUSHING,
20	313273A2	1	PIN,
21	87545500	1	HARNESS, Decel

TJ530 TRACTOR (1/06-) - Fuel System

03-04 FUEL LINES, TJ480 / 530 & T9050 / 9060



TJ530 TRACTOR (1/06-) - Fuel System

03-04 FUEL LINES, TJ480 / 530 & T9050 / 9060

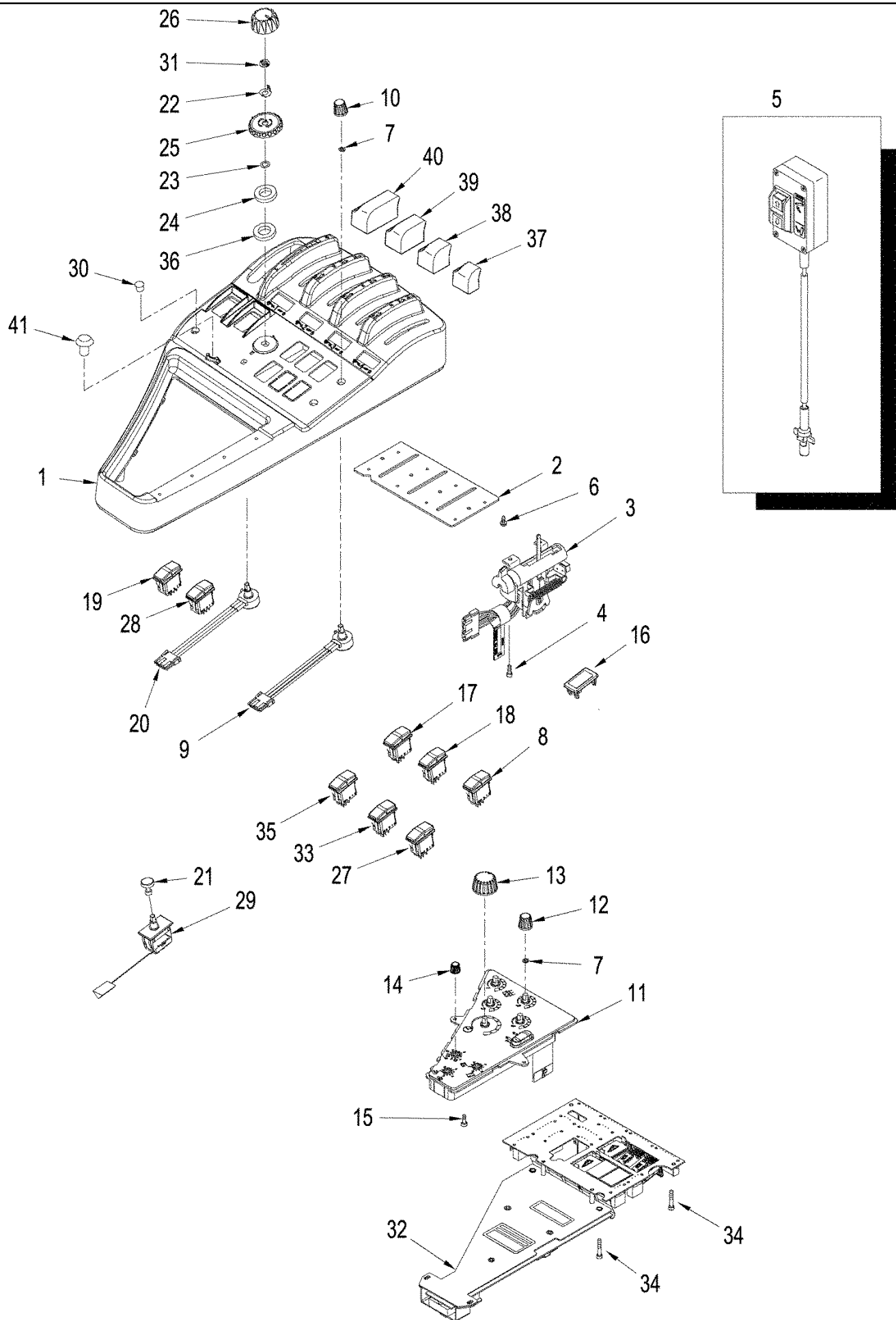
Ref	Part Number	Qty	Description
1	86637715	1	ELBOW, 90e, 1/2"-14 Male,
2	435446A1	2	VALVE, SHUT-OFF,
3	242680	1	CONNECTOR, HYD., 7/8"-14, 37e x 1/2"-14, NPTF,
4	435459A1	1	FITTING, 7/8 fem sw x 31/64 barb, Socketless
5	86637718	1	FITTING, 45e, 1/2" Hose x 1/2" NPTF Beaded,
6	86624176	5	WASHER, M10 x 20 x 2,
7	296077A1	1	HOSE, 3657 mm (144 in), Supply, Cut From : 443096A1
8	87438352	1	HOSE, 2450 mm (96-1/2 in), Hot Return, Cut From : 443086A1
9	327144A1	1	CLAMP, Dual Tie
10	L101181	4	CLAMP,
11	86639039	3	BOLT, M8 x 35; 10.9
12	896-15008	4	WASHER, M8 x 21.5 x 2.5, HT,
13	86528579	3	NUT, LOCK, M8 x 1.25, CI 10,
14	87434394	1	COOLER, Fuel
15	86594406	3	CLAMP, 5/8", Insul, 3/8" Bolt,
16	627-8016	4	BOLT, Hex, M8 x 16, 10.9,
17	435462A1	1	FITTING, 7/8"
18	87438353	1	HOSE, 5855 mm (230-1/2 in), Cold Return, Cut From : 443086A1
19	86624005	3	CLAMP, 3/4", Insul, 3/8" Bolt,
20	R54363	4	CLAMP, Double Hose
22	335041A2	1	LINE, Crossover
21	86624184	3	WASHER, M8 x 16 x 1.6,
23	86637792	1	TEE, 1/2 PT x 1/2 PT x 7/8 fl
24	86637713	1	CONNECTOR, HYD., 1/2"-14 NPTF,
25	435545A1	1	BREATHER,
26	352767A1	2	CONNECTOR, HYD.,
27	402800A1	1	BRACKET, Mounting, Sight Guage
28	86639037	1	BOLT, Hex, M6 x 16, 10.9,
29	86637779	2	GROMMET, 3/4" ID x 1 1/16" Groove Dia,
30	86500689	4	NUT, M10, CI 10,
31	337248A1	4	O-RING,
32	337240A1	1	HOSE, 1222 mm (48 in), Sight Guage, Cut From : 337242A1
33	349868A1	1	CHANNEL, Sight Guage
34	86624181	1	WASHER, M6,
35	86511845	2	BOLT, Hex Flg, M10 x 35, 8.8,
36	86625263	6	WASHER, M8 x 20 x 1.6,
37	A27328	3	SPACER,
38	86625005	1	BOLT, Hex, M8 x 60, 10.9,
39	86625020	4	CLAMP, HOSE, #06, .44/.78 Type F Worm,
40	86637716	1	FITTING, 45e, 5/8" Hose x 1/2" NPTF Beaded,
41	627-8025	1	BOLT, Hex, M8 x 25, 10.9,
42	82012722	6	CLAMP, HOSE, 1/2 - 29/32 dia
43	86516395	1	BOLT, Hex, M8 x 90, 10.9,
44	217-349	2	FITTING, 90e, 5/8" Hose x 7/8"-14 ORB Beaded, Inc. 45
45	237-6010	1	O-RING, 10-1, 90 Duro, .755" ID x .097" Thk,

TJ530 TRACTOR (1/06-) - Fuel System

03-04 FUEL LINES, TJ480 / 530 & T9050 / 9060

Ref	Part Number	Qty	Description
46	614-8020	2	BOLT, Hex, M8 x 20, 8.8,
47	829-1408	2	NUT, M8, CI 10,
48	214-1406	1	CLAMP, HOSE, #06, .44/.78 Type F Worm,
49	87414236	1	HOSE, Drain
50	895-11008	4	WASHER, M8 x 16 x 1.6,
	87408709	1	FILTER, Fuel Strainer, Inc. 51 - 58
51	369844A1	1	DRAINCOCK/TAP, SUPPLY,
52	87408710	1	FILTER, Fuel, 30 micron
53	NSS	1	NOT SERVICED SEPARATELY, Housing, Fuel Strainer
54	87408711	1	FILTER,
55	87333676	1	GASKET, Fuel Strainer
56	87331930	1	GASKET, Auxiliary Fuel Bowl
57	87333671	1	RING, Retainer
58	369843A1	1	GASKET,
59	87333679	1	SPRING, Filter Frame
60	87341631	1	BRACKET, Fuel Filter
61	87313728	1	HOSE, 485 mm (19")
62	87608457	1	BOLT, SPECIAL,

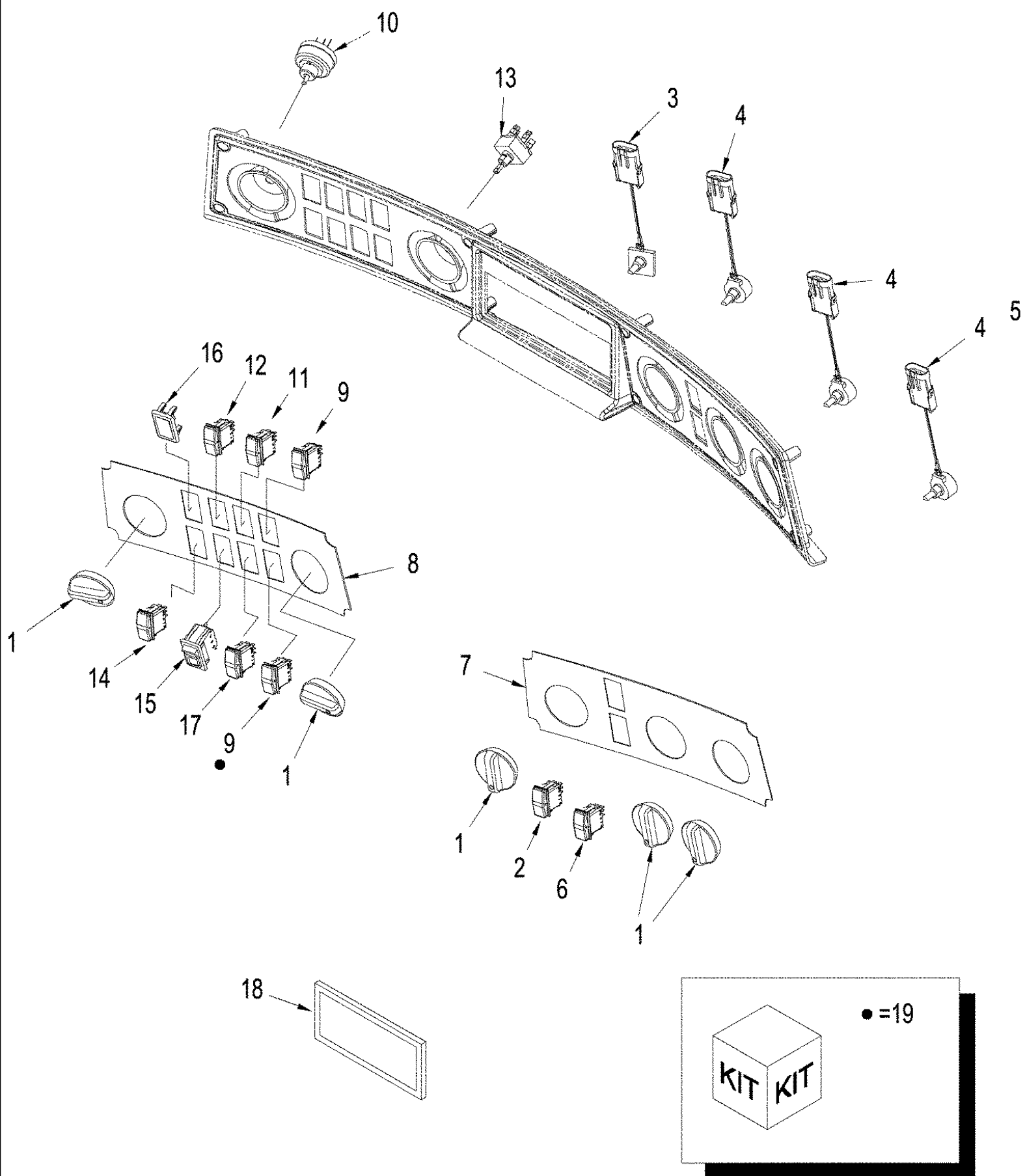
04-01 CONTROLS - RIGHT HAND ARMREST CONSOLE



TJ530 TRACTOR (1/06-) - Electrical System

04-01 CONTROLS - RIGHT HAND ARMREST CONSOLE

Ref	Part Number	Qty	Description
1	87314389	1	CONSOLE, Armrest Console, Right Hand, See Figure : 09-20
	87395318	1	CONTROL, Electronic, Inc. 2 - 4
2	230098A1	1	PLATE, Mounting
3	87395299	4	VALVE, CONTROL, Remote Auxiliary Valve
4	86637785	8	SCREW, Sltd Pan Hd, #8-32 x 3/8",
5	382247A1	1	SWITCH, Remote, Three Point Hitch
6	86639294	4	SCREW, Hex Soc Hd, M4 x 20, 8.8,
7	A39888	2	NUT, 5 Spool Application
8	86989947	1	SWITCH, Fifth Auxiliary Valve
9	256305A2	1	POTENTIOMETER, Flow Control, 5 Spool Application
10	276797A1	1	KNOB, Flow Control, 5 Spool Application
11	339735A1	1	PANEL, Secondary, With Three Point Hitch
11	238290A4	1	PANEL, Secondary, Without Three Point Hitch
12	276797A1	4	KNOB, Flow Control
13	187820A1	1	BUTTON, Remote Valve Timer Control
14	223433A1	2	KNOB, Electronic Draft Control, With Three Point Hitch
15	86639117	2	SCREW, SELF TAPPING, Pan Hd, M4.2 x 16,
16	406324A2	2	PLUG, Switch Hole
17	87361920	1	SWITCH, Rocker, Differential Lock, Rear
18	87361921	1	SWITCH, Rocker, Differential Lock, Front
19	86990406	1	SWITCH, Hitch Position
20	87399301	1	POTENTIOMETER, Three Point Hitch Position
21	411705A3	1	KNOB, Power Takeoff
22	87436077	1	WASHER, Stainless Steel
23	87435947	1	SPRING,
24	87435853	1	RING, Friction, Position Control
25	87435194	1	KNOB, Wheel, Indicator Position
26	87434770	1	KNOB, Knob, Hitch Position Control, With Reynolds Drawbar
27	86989951	1	SWITCH, Scraper, If Used, With Reynolds Drawbar
28	87422017	1	SWITCH, Head Land / Turn Sequence
29	414495A1	1	SWITCH, Power Takeoff
30	86625127	1	PLUG, Dome, .375" hole, Nylon, 3/8, Without Three Point Hitch
31	87435946	1	WASHER, , Without Three Point Hitch
32	87524858	1	CONTROL, Armrest Controller
33	87414465	1	SWITCH, Autoshift
34	87536486	6	SCREW, M4 x 10; 12.9
35	87414327	1	SWITCH, EDC, Slip Limit Control
35	87308327	1	SWITCH, Engine Brake, If Used
36	87435852	1	SPACER,
37	400161A3	4	KNOB, Remote Control, Black
38	400160A3	1	KNOB, Remote Control, Ginger
39	400159A3	1	KNOB, Remote Control, Blue
40	400158A3	1	KNOB, Remote Control, Green
41	87323840	1	SWITCH, Switch, Intellisteer, If Used

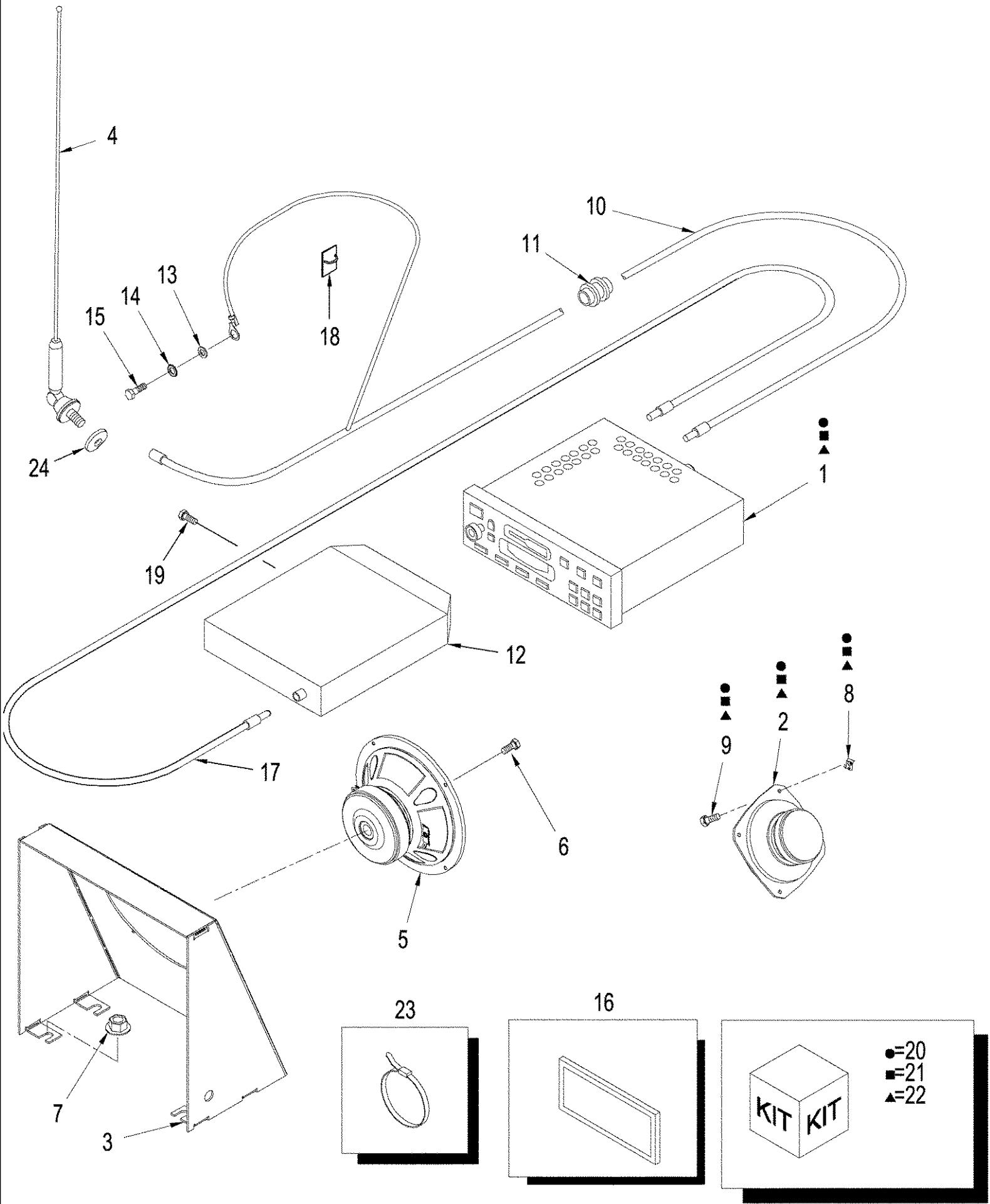


TJ530 TRACTOR (1/06-) - Electrical System

04-02 PANEL, CONTROL - COMPONENTS

Ref	Part Number	Qty	Description
1	1331046C2	5	CAP, WASHER,
2	87454558	1	SWITCH, Climate Control
3	92100C2	1	SWITCH, Blower Motor
4	418107A1	AR	POTENTIOMETER,
5	345439A1	1	POTENTIOMETER, Vent Motor
6	87305994	1	SWITCH, Defog
7	87450974	1	DECAL, Climate Control, See Figure: 9-58
8	431230A1	1	DECAL, Light Panel, See Figures: 9-58
9	86989939	2	SWITCH, WINDSHIELD WIPER, Lower/Rear Wiper
10	177250A1	1	SWITCH, LIGHTS, Rotary
11	86989955	1	SWITCH, Cruise Control
12	87414325	1	SWITCH, Strobe Lamp
13	345262A1	1	SWITCH, Front Washer / Wiper
14	87442098	1	SWITCH, LIGHTS, Road Lamp / Flasher
15	330116A1	1	SWITCH, Auxiliary Power
16	86000535	4	PLUG, 1.427" x .62", Plastic,
17	86989953	1	SWITCH, Cruise Control, Increase/Decrease
18	1535219C1	1	COVER, , Without Radio
19	719518003	1	KIT, Rear Wiper / Washer, See Figure: 04-05

04-03 RADIO AND SPEAKERS

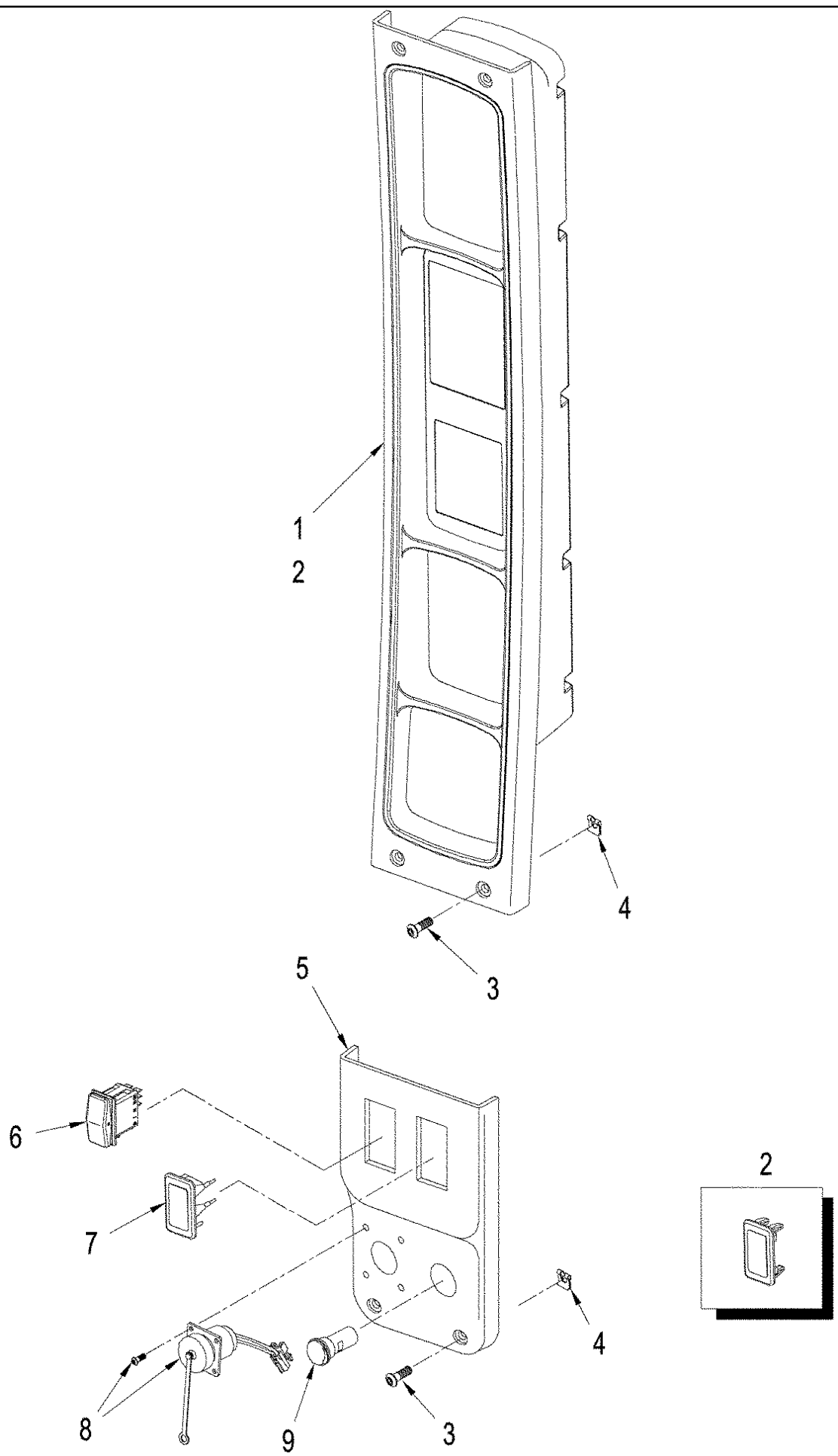


TJ530 TRACTOR (1/06-) - Electrical System

04-03 RADIO AND SPEAKERS

Ref	Part Number	Qty	Description
1	87552288	1	RADIO, AM / FM / WB
1	355623A2	1	RADIO, AM / FM / WB / Cassette
1	325061A2	1	RADIO, AM / FM / WB / Cassette / CD Changer Ready
2	258342A2	2	SPEAKER, Co-Axial
3	388445A1	1	HOUSING, Subwoofer
4	360215A1	1	Radio
5	388444A1	1	SPEAKER, Subwoofer, 8"
6	760-14316	4	SCREW, SELF TAPPING, Pan Hd, M4.2 x 16,
7	86505868	4	NUT, M8, Flg Ser,
8	177269A1	8	NUT, Special
9	1270741C1	8	SCREW, SELF TAPPING, Cross Pan Hd, #8 x 1", Pointed
10	360432A2	1	HARNESS, Antenna, Inc. 11
11	NSS	1	NOT SERVICED SEPARATELY, Grommet
12	317688A1	1	Player, Compact Disc, Delco, 6 Disc
13	86624181	1	WASHER, M6,
14	86625265	1	WASHER, LOCK, Ext Tooth, M6,
15	86639137	1	SCREW, SELF TAPPING, Hex Hd, M6.3 x 13,
16	1535219C1	1	COVER, , Without Radio
17	449071A1	1	HARNESS, CD Changer, 5486 mm (216 in)
18	388489A1	1	CLIP, ELECTRICAL,
18	435436A1	AR	MOUNT, RUBBER, Adhesive Backed
19	86625213	3	SCREW, Hex Soc Hd, M5 x 12, 8.8, Socket, M5 x 12
20	334229A1	1	KIT, AM / FM / WB / Cassette / CD, Inc. 1, 2, 8, 9
21	186158A1	1	KIT, AM / FM / WB, Inc. 1, 2, 8, 9
22	719582003	1	KIT, Single CD Player / Radio
23	440567A1	1	CABLE ASSY., Tie
23	435437A1	1	STRAP, CABLE, 3/16" x 7 1/4", 7-1/4"
24	87343754	1	SPACER, , Austrailian Application

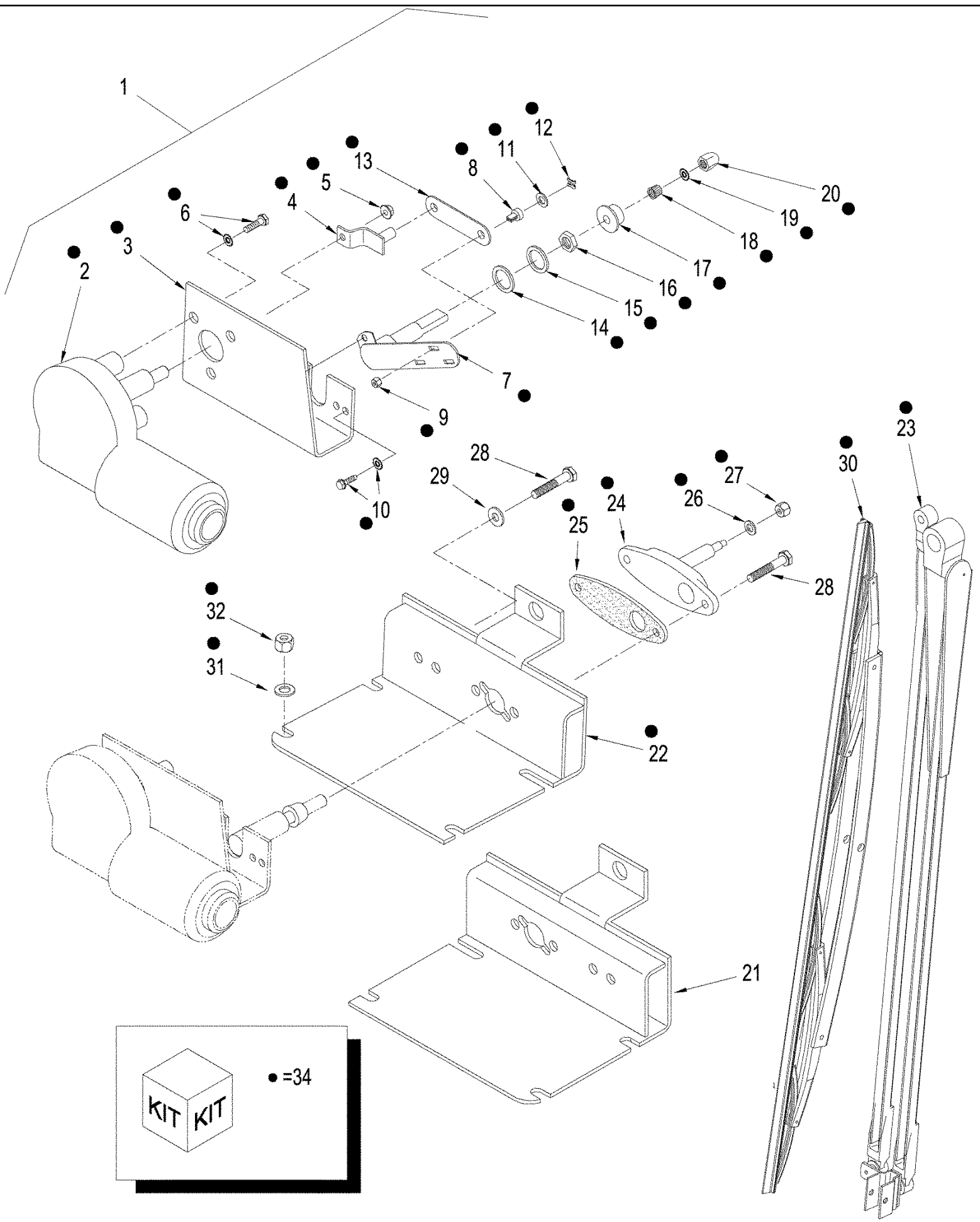
04-04 INSTRUMENT CLUSTER & ROPS POST CONTROLS



TJ530 TRACTOR (1/06-) - Electrical System

04-04 INSTRUMENT CLUSTER & ROPS POST CONTROLS

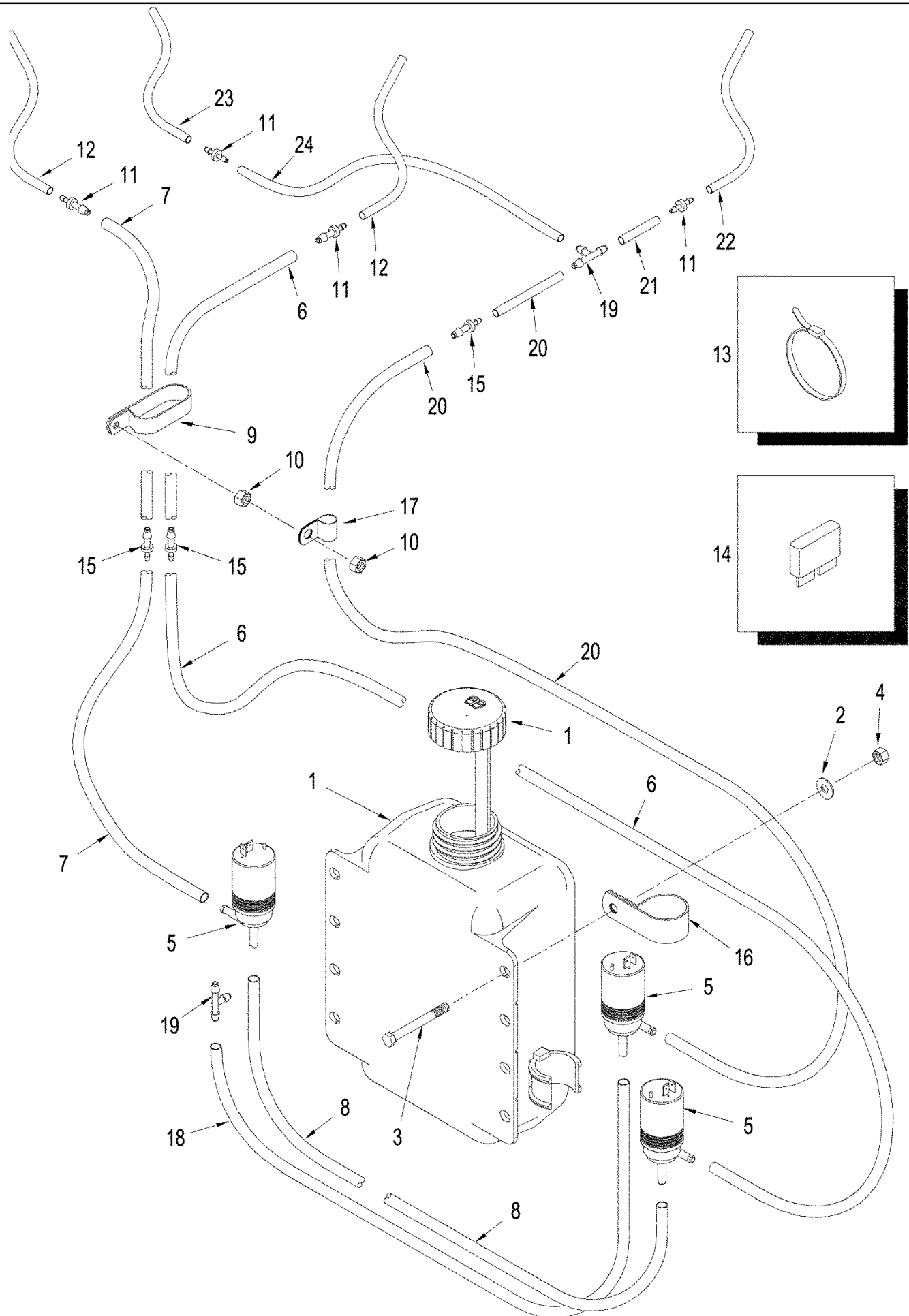
Ref	Part Number	Qty	Description
1	87350680	1	MODULE, Basic, BSN Z6F2020903
1	87549277	1	MODULE, Basic, ASN Z6F2020903
1	87350681	1	MODULE, Deluxe, BSN Z6F2020903
1	87520583	1	MODULE, Deluxe, ASN Z6F2020903
2	NSS	1	NOT SERVICED SEPARATELY, Software, Not Illustrated, Download Software from Service Tool.
3	260-16516	6	SCREW, SELF TAPPING, Cross Pan Hd, #10 x 1",
4	177269A1	6	NUT, Spring
5	394338A1	1	BEZEL, ROPs Post
6	418506A1	1	SWITCH, Park Brake, With Manual Shift Transmission
7	409808A1	1	INDICATOR, Transmission Hi / Lo, With Manual Shift Transmission
8	227739A2	1	CONNECTOR, ELEC, Power Port
9	87452321	1	OUTLET, Power
10	406324A2	AR	PLUG, Blank Opening



TJ530 TRACTOR (1/06-) - Electrical System

04-05 WIPER, WINDSHIELD - MOUNTING

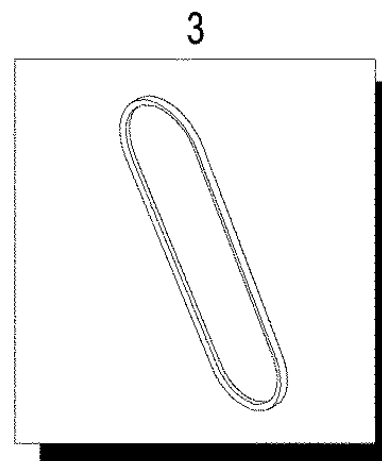
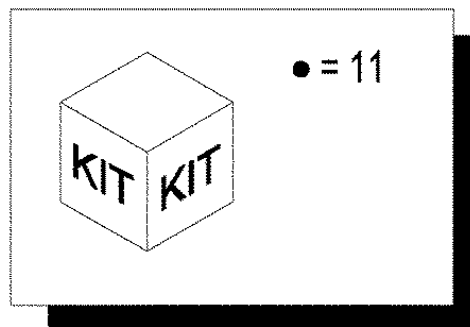
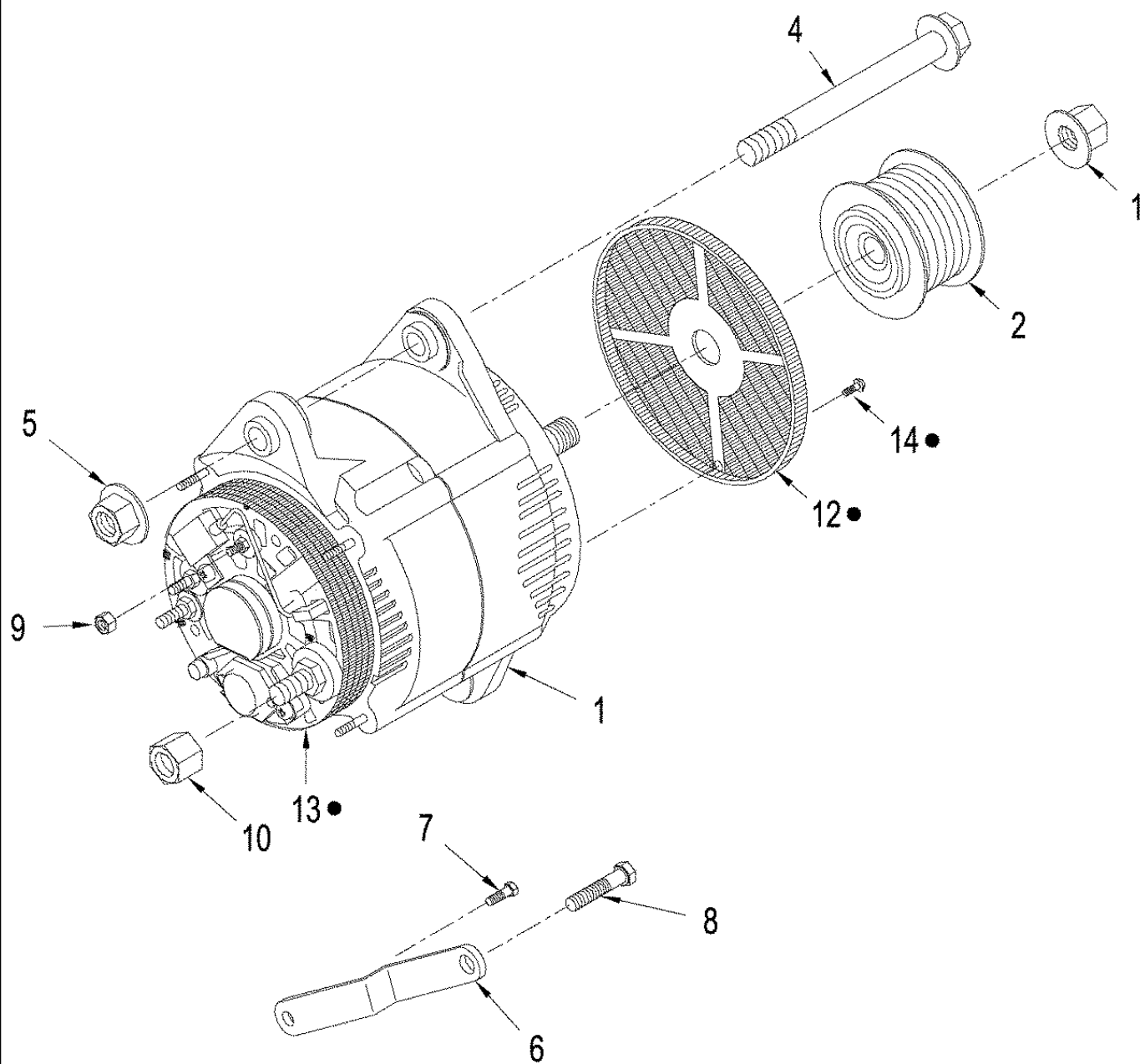
Ref	Part Number	Qty	Description
	87408490	AR	WIPER MOTOR, Front, Upper, Inc. 2 - 20, 22, 24 - 29
	248812A4	1	WIPER MOTOR, Rear, Upper, Inc. 2 - 20, 22, 24 - 29
1	87307954	1	WIPER MOTOR, Repair, Front, Upper, Inc. 2 - 20
1	87308180	1	WIPER MOTOR, Upper, Rear, Inc. 2 - 20
1	87308226	1	WIPER MOTOR, Fonr, Lower, RH, Inc. 2 - 20
1	87308230	1	WIPER MOTOR, Front, Lower, LH, Inc. 2 - 20
2	87307958	1	WIPER MOTOR, Rear Upper
3	60-6633T1	1	SUPPORT, Wiper Motor
4	87307957	1	ARM, Wiper Motor
5	825-5148	1	NUT, M8, Flg Ser,
6	444867A1	3	SCREW, Button Hd
7	60-6581T91	1	DRIVE ASSY.,
8	NSS	1	NOT SERVICED SEPARATELY, Pin
9	NSS	1	NOT SERVICED SEPARATELY, Nut
10	281024	2	SCREW, Slotted Pan Hd, #10-32 x 1/2", Inc. Lock Washer
11	1-2684	2	WASHER,
12	1-2685	2	CLIP, Spring
13	1-2683	1	LINK,
14	V41916	1	WASHER, Fiber
15	495-81032	1	WASHER, 23/32" x 1 1/4" x .060", Steel
16	V23571	1	NUT,
17	V23568	1	CAP,
18	V23569	1	GUIDE, Knob, Knurled
19	60-6634T1	1	PLATE, LOCKING, Washer
20	60-6635T1	1	NUT,
21	87362320	1	PLATE, MOUNTING, Lower Front, RH
22	87362317	1	PLATE, MOUNTING, Upper / Lower, LH
23	87557932	AR	WIPER ARM, 20"
	435472A1	1	PIVOT ASSY., Pantograph, Inc. 24 - 27
24	NSS	1	NOT SERVICED SEPARATELY, Body, Pantograph
25	2-4190T1	1	GASKET, Mounting
26	2-4191T1	1	WASHER,
27	2-4192T1	1	NUT,
28	86637928	3	BOLT, Hex, 1/4"-28 x 1 1/2", G5,
29	87361	1	WASHER, 1/4", SAE,
30	334715A1	2	BLADE, Wiper, 660 mm (26"), Lower Front
30	353273A1	2	BLADE, Wiper, 559 mm (22"), Upper Front / Rear
31	86624184	10	WASHER, M8 x 16 x 1.6,
32	86528579	4	NUT, LOCK, M8 x 1.25, CI 10,
33	126844A1	1	PLUG, Switch Hole, Not Illustrated
34	719518003	1	KIT, Rear Washer / Wiper, See Figure(s): 04-03, 04-17



TJ530 TRACTOR (1/06-) - Electrical System

04-06 WINDSHIELD WASHER

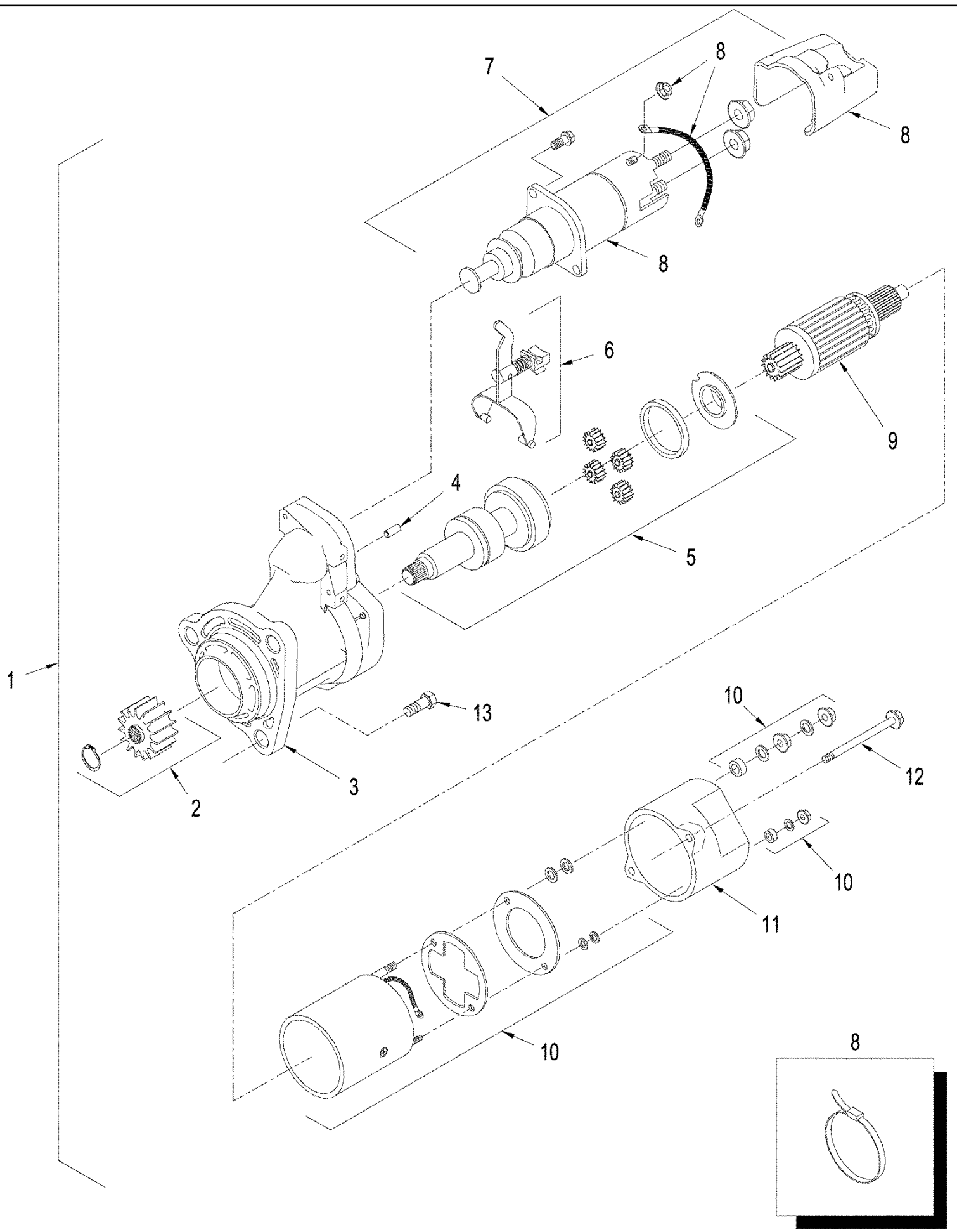
Ref	Part Number	Qty	Description
1	313576A1	1	RESERVOIR, Windsheild Washer
2	895-11008	4	WASHER, M8 x 16 x 1.6,
3	811-8030	4	BOLT, CARRIAGE, Short NK, M8 x 30, CI8.8, Full Thd,
4	829-1408	7	NUT, M8, CI 10,
5	1964696C2	3	PUMP, Windsheild Washer fluid
6	398715A1	1	HOSE, 4775 mm (188 in), Front Wiper
7	398714A1	1	HOSE, 3302 mm (130 in), Rear Wiper
8	31-2422	2	HOSE, 254 mm (10 in), Cut From 4-1056
9	369708A1	4	CLAMP, Hose
10	829-1410	AR	NUT, M10, CI 10,
11	31-2364	4	FITTING, 3/16 x 7/64
12	31-2608	2	HOSE, 200 mm (8 in), Rear Wiper
13	435437A1	6	STRAP, CABLE, 3/16" x 7 1/4", 7-1/4"
14	121414A1	1	FUSE, 20 Amp
14	121416A1	1	FUSE, 30 Amp
15	324203A1	2	VALVE, CHECK,
16	515-24349	1	CLAMP, 1 3/8", Insul, 7/16" Bolt,
17	515-2495	4	CLAMP, 3/8", Insul, 7/16" Bolt,
18	31-2866	1	HOSE, 160 mm (24 in), Cut From 4-1056T1
19	31-2363	3	TEE,
20	31-2936	1	HOSE, 4775 mm (188 in), Cut From 4-1056T1
21	384139A1	1	HOSE ASSY.,
22	384141A1	1	HOSE ASSY.,
24	384140A1	1	HOSE ASSY.,
23	384142A1	1	HOSE ASSY., 250 mm (10 in), Cut From 31-2607T1



TJ530 TRACTOR (1/06-) - Electrical System

04-08 ALTERNATOR - MOUNTING, TJ480 / 530 & T9030 / 9040

Ref	Part Number	Qty	Description
1	87439314	1	ALTERNATOR, 150 Amp
1	87439319	1	ALTERNATOR, 175 Amp
2	87439321	1	PULLEY,
3	87366407	1	BELT, Accessory Drive, Alternator & A/C
4	NSS	1	NOT SERVICED SEPARATELY, Bolt, Mounting, Order From Your Cummins Engine Dealer
5	NSS	1	NOT SERVICED SEPARATELY, Nut, Flg, Order From Your Cummins Engine Dealer
6	NSS	1	NOT SERVICED SEPARATELY, Brace, Order From Your Cummins Engine Dealer
7	NSS	1	NOT SERVICED SEPARATELY, Bolt, Order From Your Cummins Engine Dealer
8	NSS	1	NOT SERVICED SEPARATELY, Bolt, Order From Your Cummins Engine Dealer
9	NSS	4	NOT SERVICED SEPARATELY, Nut, Order From Your Cummins Engine Dealer
10	NSS	1	NOT SERVICED SEPARATELY, Nut, Order From Your Cummins Engine Dealer
11	87612406	1	KIT, Debris Screen, Inc. 12 - 14
12	NSS	1	NOT SERVICED SEPARATELY, Screen, Front
13	NSS	1	NOT SERVICED SEPARATELY, Screen, Rear
14	NSS	4	NOT SERVICED SEPARATELY, Screw

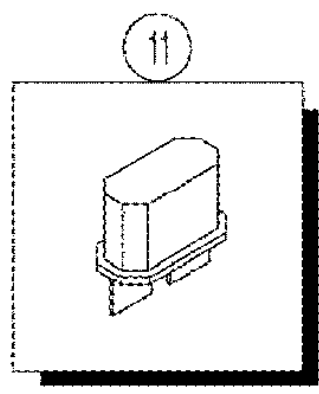
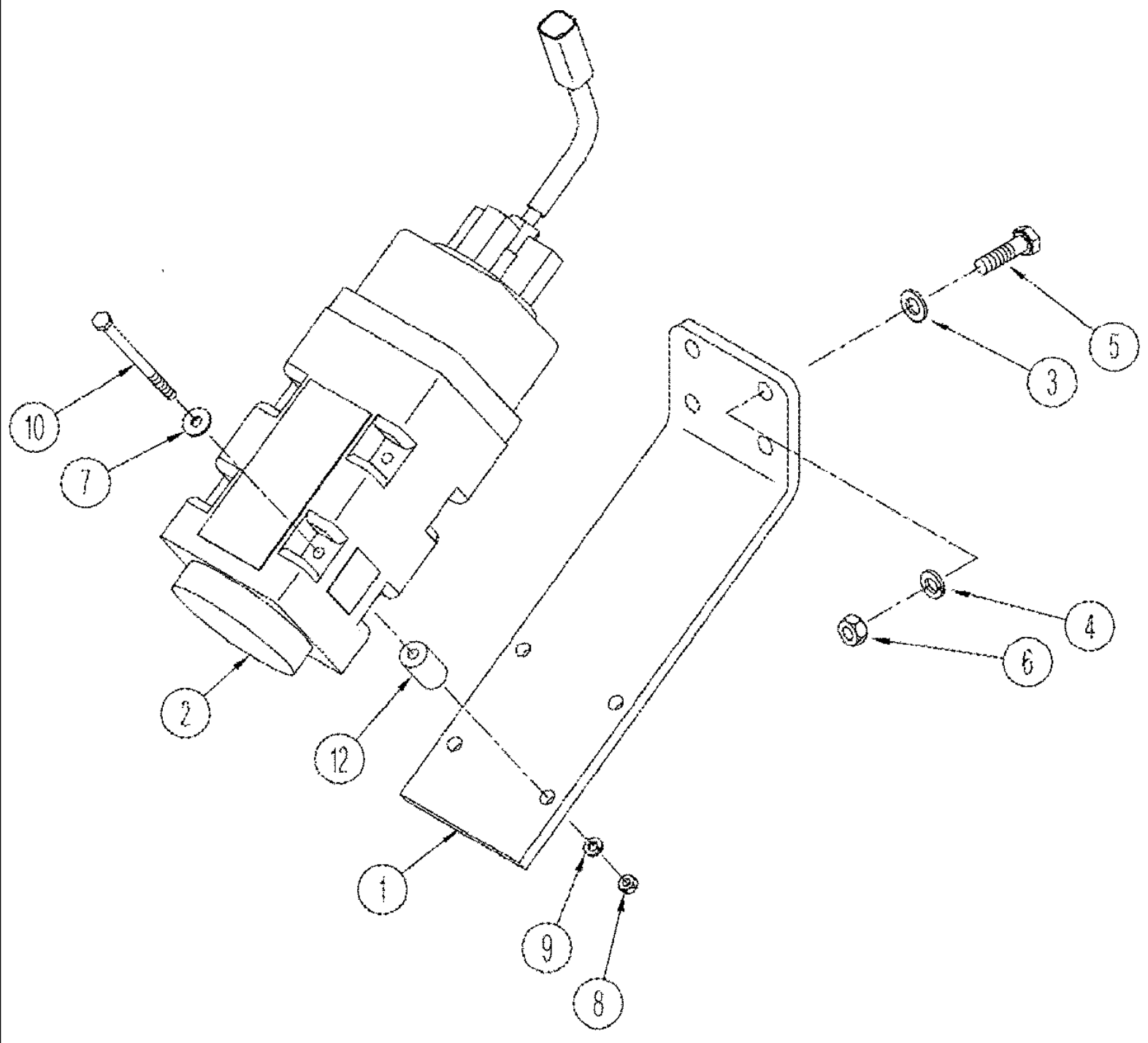


TJ530 TRACTOR (1/06-) - Electrical System

04-09 STARTER ASSY.

Ref	Part Number	Qty	Description
1	87439326	1	STARTING MOTOR, Starter, 24V, 39MT-HD, Delco Remy, Inc. 2 - 12
2	87429796	1	PINION, Assy.
3	NSS	1	NOT SERVICED SEPARATELY, Housing
4	NSS	1	NOT SERVICED SEPARATELY, Pin, Roll
5	87429799	1	DRIVE ASSY., without Pinion
6	87429793	1	LEVER ASSY.,
7	87429797	1	SOLENOID, Assy., 24V, with Jump Start Shield
8	87454482	1	KIT, FIP, Jump Start
9	87429802	1	ARMATURE, 24V
10	87429794	1	BRUSH ASSY., 24V
11	87429800	1	HOUSING, Communicator End
12	87429804	2	BOLT,
13	NSS	3	NOT SERVICED SEPARATELY, Bolt, Mounting, 2 x 1/16, G8.8, Order from Your Engine Dealer

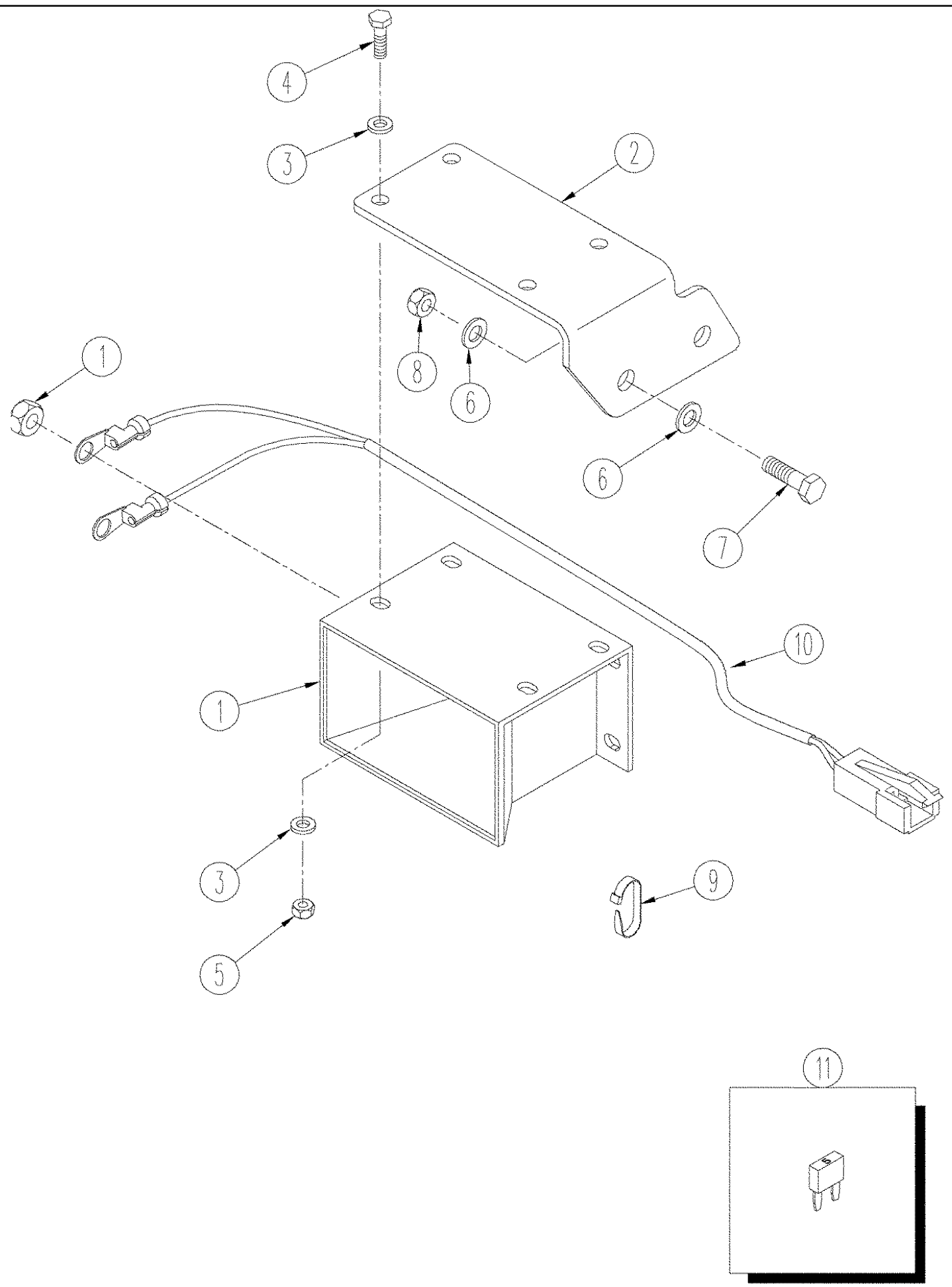
04-10 GROUND SPEED SENSOR



TJ530 TRACTOR (1/06-) - Electrical System

04-10 GROUND SPEED SENSOR

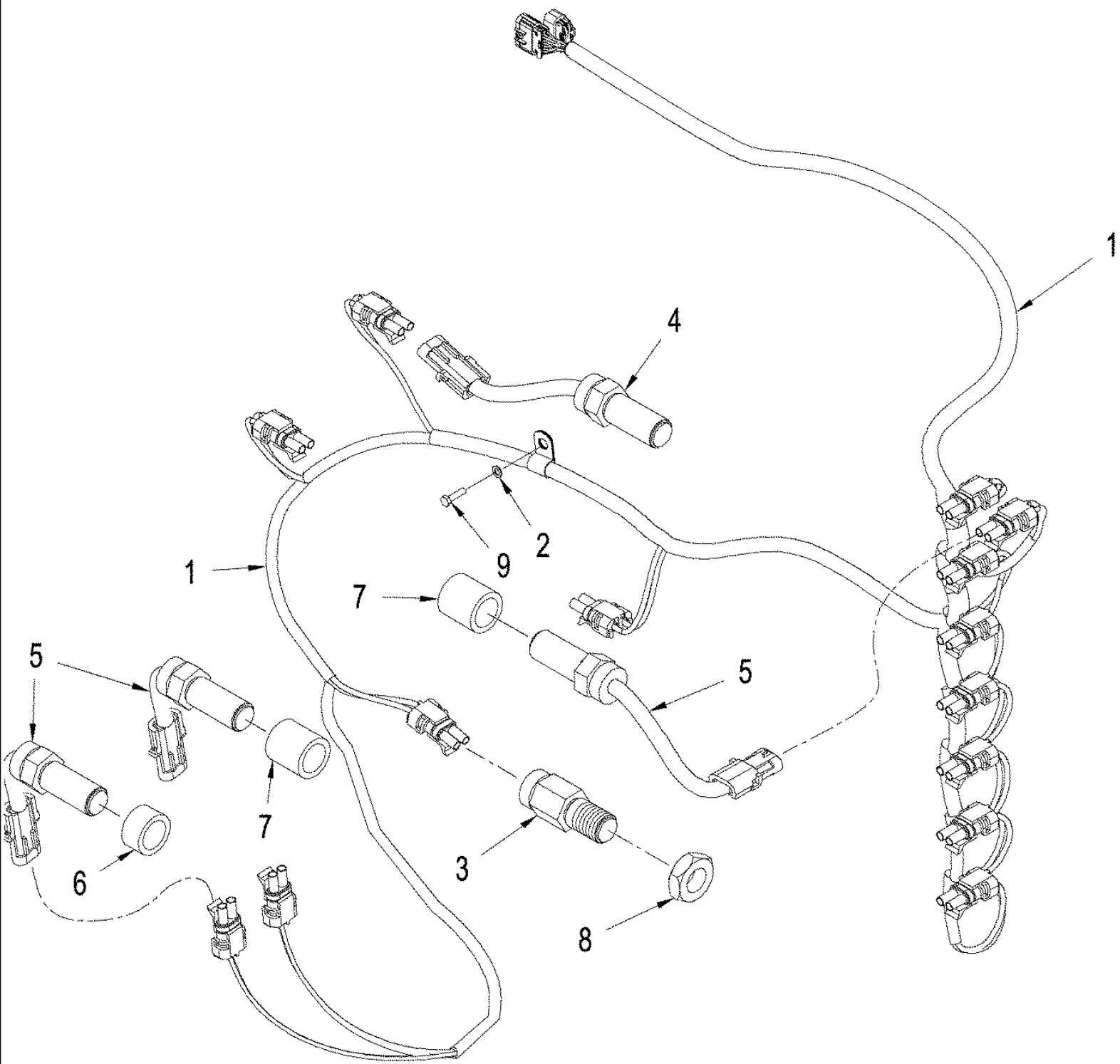
Ref	Part Number	Qty	Description
	719571003	1	KIT, Ground Speed, Inc. 1 - 12
1	414936A1	1	SUPPORT, Bracket, Radar Mounting
2	228760A1	1	RADAR, Ground Speed
3	86624176	4	WASHER, M10 x 20 x 2,
4	140028	4	WASHER, LOCK, M10,
5	86624978	4	BOLT, Hex, M10 x 35, 10.9, Full Thd,
6	86500689	4	NUT, M10, CI 10,
7	86624182	4	WASHER, M6 x 18 x 1.6,
8	86500688	4	NUT, M6, CI 10,
9	86517328	4	WASHER, LOCK, M6,
10	86639208	4	BOLT, Hex, M6 x 100, 10.9,
11	121412A1	1	FUSE, 10 AMP
12	414937A1	4	SPACER,



TJ530 TRACTOR (1/06-) - Electrical System

04-11 ALARM - BACK-UP

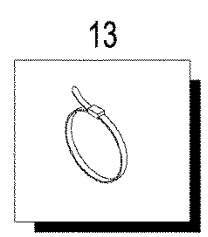
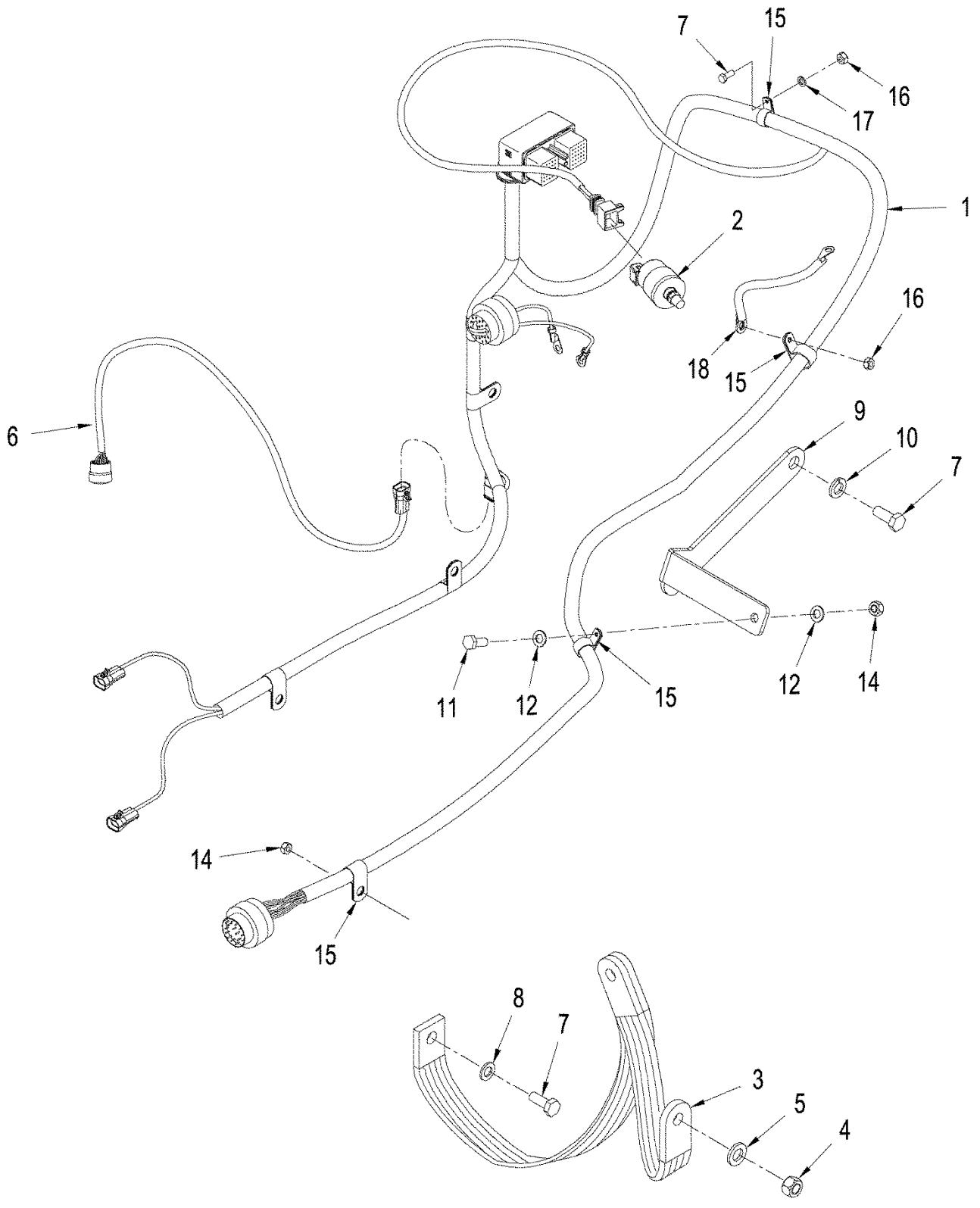
Ref	Part Number	Qty	Description
1	D121972	1	ALARM, Inc. Nuts
2	440134A1	1	BRACKET, Mounting, Alarm Backup
3	86639317	8	WASHER, M6 x 13 x 2, HT,
4	86624176	4	WASHER, M10 x 20 x 2,
5	86500688	4	NUT, M6, CI 10,
6	86624176	4	WASHER, M10 x 20 x 2,
7	86624978	2	BOLT, Hex, M10 x 35, 10.9, Full Thd,
8	86500689	2	NUT, M10, CI 10,
9	435437A1	2	STRAP, CABLE, 3/16" x 7 1/4", 7"
10	391364A1	1	HARNESS, Alarm Backup
11	121410A1	1	FUSE, 5 amp



TJ530 TRACTOR (1/06-) - Electrical System

04-12 HARNESS - TRANSMISSION, POWER SHIFT

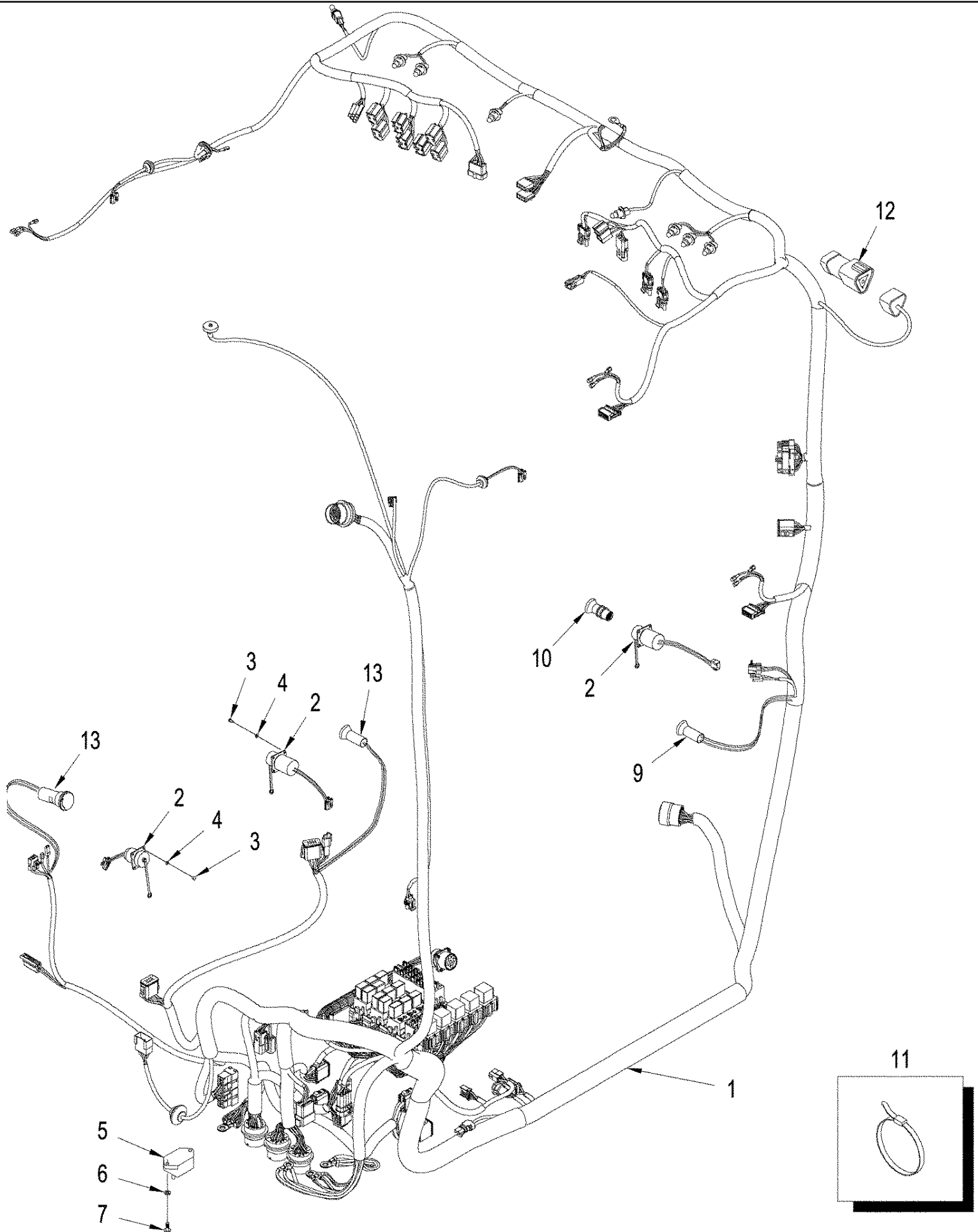
Ref	Part Number	Qty	Description
1	87332140	1	HARNESS, Transmission, PowerShift
2	86625261	8	WASHER, M5 x 10 x 1,
3	A186004	1	SENSOR, Engine Speed
4	86987513	1	SENSOR, Pressure
5	87449451	3	SENSOR, Gear Speed
6	87351750	1	SPACER, 29.385 mm
7	87351748	2	SPACER, 15.217 mm
8	934120R1	4	NUT, Thin, M20 x 1.5, M20, CL10
9	627-8016	1	BOLT, Hex, M8 x 16, 10.9,



TJ530 TRACTOR (1/06-) - Electrical System

04-14 HARNESS - ENGINE, TJ480 / 530

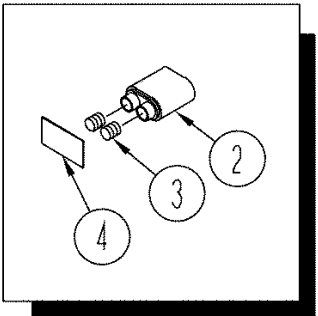
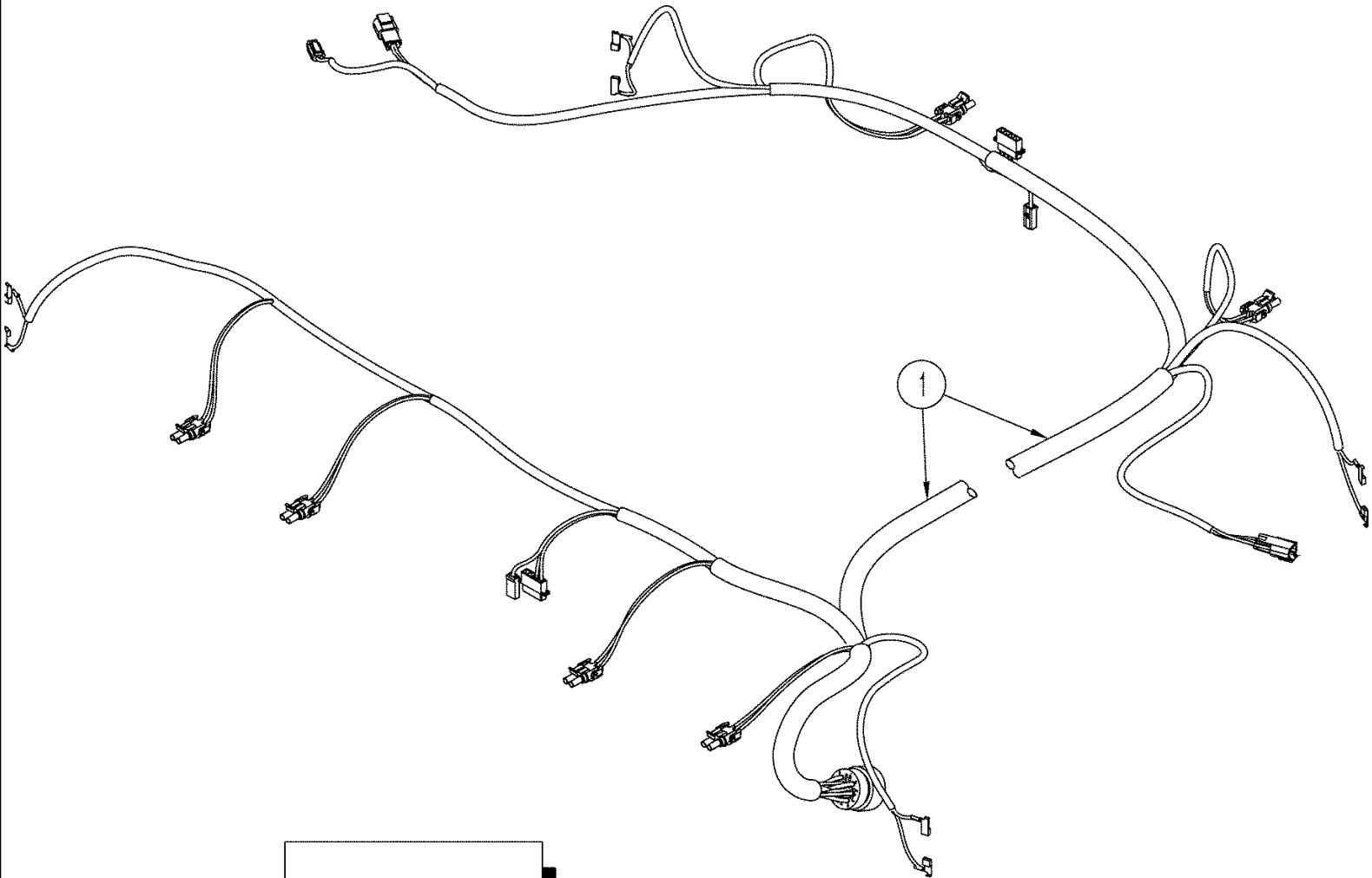
Ref	Part Number	Qty	Description
1	87325747	1	HARNESS, Engine
2	293797A1	1	SWITCH, Air Restriction
3	87397281	1	Strap, Ground, Strap, Ground Starter to Engine
4	337475	1	NUT, M12, CI 10,
5	86625255	1	WASHER, M13.5 x 24.5 x 3, HT,
6	87308658	1	HARNESS, Fan Drive
7	9846677	6	BOLT, Hex, M10 x 25, 10.9, Full Thd,
8	895-11010	1	WASHER, M10 x 20 x 2,
9	87422995	1	BRACKET, Support, Engine Harness
10	412123	2	WASHER, LOCK, M12,
11	43233	3	BOLT, Hex, M8 x 20, 10.9,
12	86624184	4	WASHER, M8 x 16 x 1.6,
13	L11541	AR	STRAP, Cable, 7 - 8"
14	829-1408	2	NUT, M8, CI 10,
15	515-23254	5	CLAMP, 1", Insul, 3/8" Bolt,
16	829-1410	3	NUT, M10, CI 10,
17	892-11010	3	WASHER, LOCK, M10,
18	87353517	1	CABLE, GROUND, A/C Compressor



TJ530 TRACTOR (1/06-) - Electrical System

04-15 HARNESS - MAIN CAB, DELUXE AND LUXURY CABS

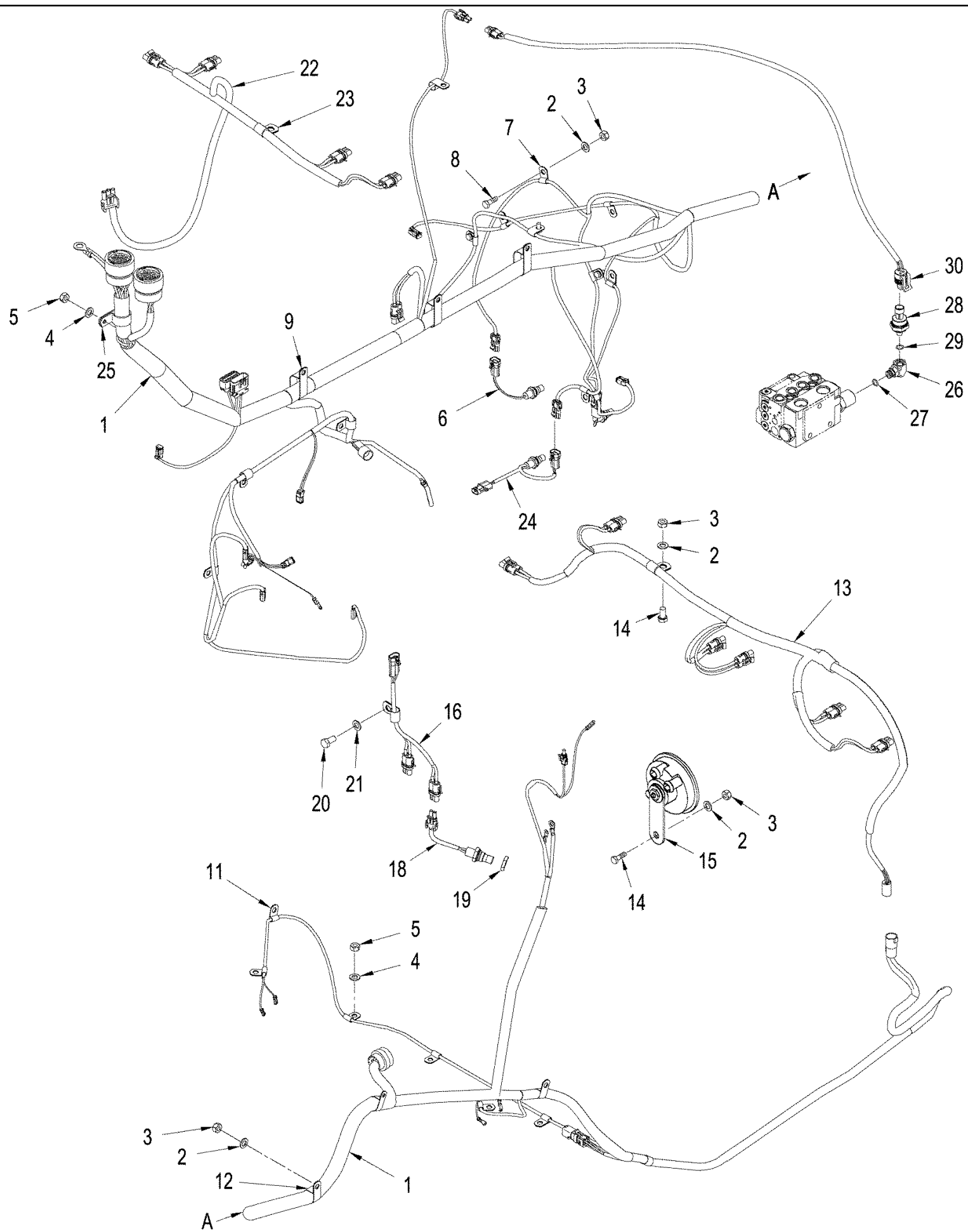
Ref	Part Number	Qty	Description
	87366657	1	MODULE, Electronics, Inc. 1, See Figure: 04-23, With Power Shift Transmission, BSN Z6F202001
	87366658	1	MODULE, Electronics, Inc. 1, See Figure : 04-23, With Manual Shift Transmission, BSN Z6F202001
1	NSS	1	NOT SERVICED SEPARATELY, Harness, Main Cab, With Manual Shift Transmission, BSN Z6F202001
1	87601590	1	Cab, ASN Z6F202001
1	87601591	1	Cab, ASN Z6F202001
2	227739A2	3	CONNECTOR, ELEC, Power
3	383986A1	12	RIVET,
4	86639310	12	WASHER, M3,
5	435435A1	1	CIRCUIT BREAKER,
6	86624181	2	WASHER, M6,
7	86511829	2	SCREW, Cross Pan Hd, M6 x 16,
8	87541092	1	SWITCH, Differential Lock
9	87452321	1	OUTLET, Power
10	388810A1	1	ELEMENT, Pop-Out Lighter
11	L18331	1	STRAP, CABLE, Tie
12	84058092	1	CONNECTOR, TERMINAL, 120 Ohm Resistor,
13	388813A1	2	OUTLET, Power
14	388811A1	1	LIGHTER, CIGARETTE, Not Illustrated



TJ530 TRACTOR (1/06-) - Electrical System

04-16 HARNESS - CAB ROOF

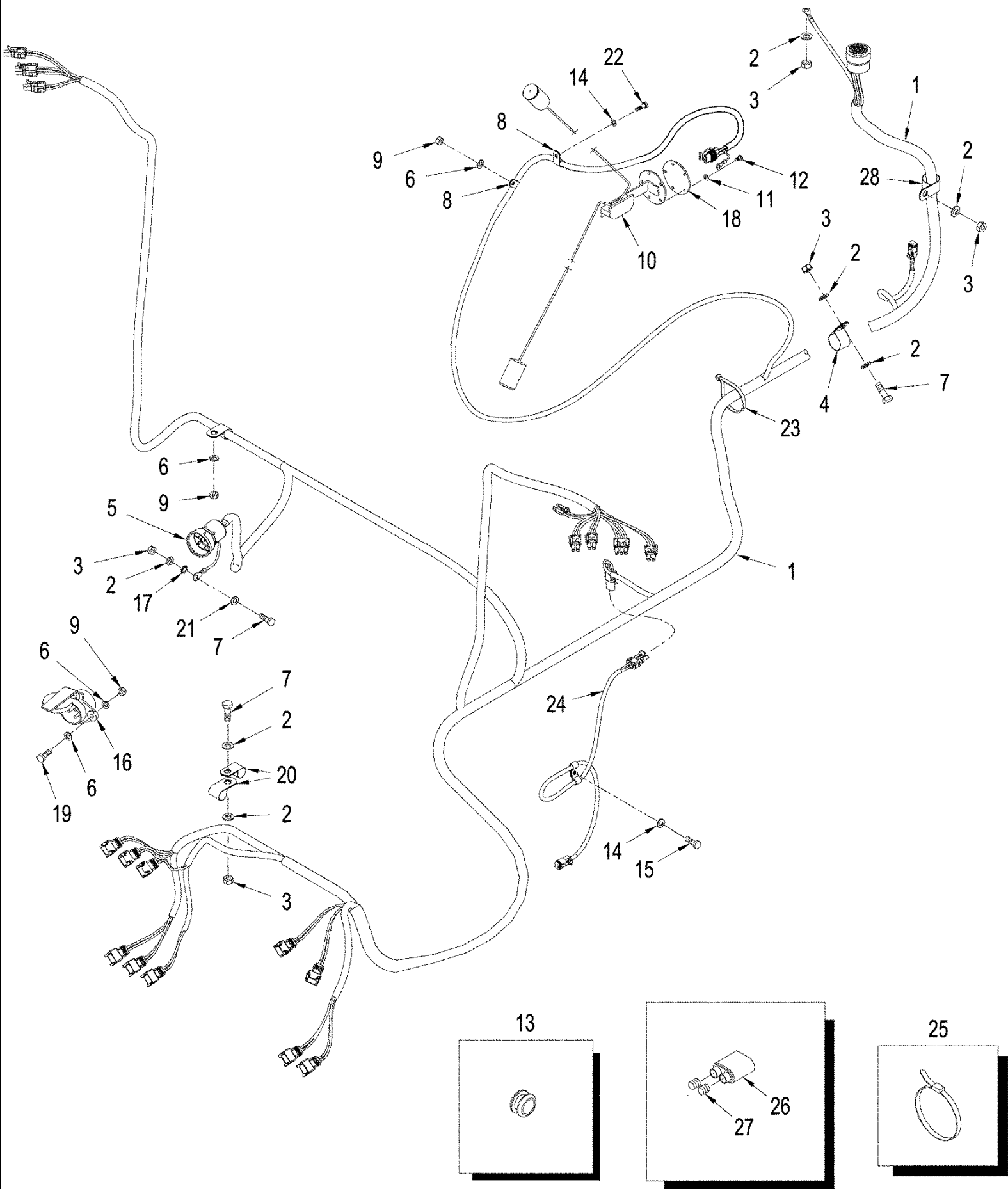
Ref	Part Number	Qty	Description
1	373457A1	1	HARNESS,
2	245483C1	2	CONNECTOR, ELEC, Two Cavity, Without Field Lights
3	225127C1	4	TERMINAL CONNECTOR, Type V4
4	408658A1	2	DECAL, Cover, Without Field Lights



TJ530 TRACTOR (1/06-) - Electrical System

04-17 HARNESS - FRONT FRAME

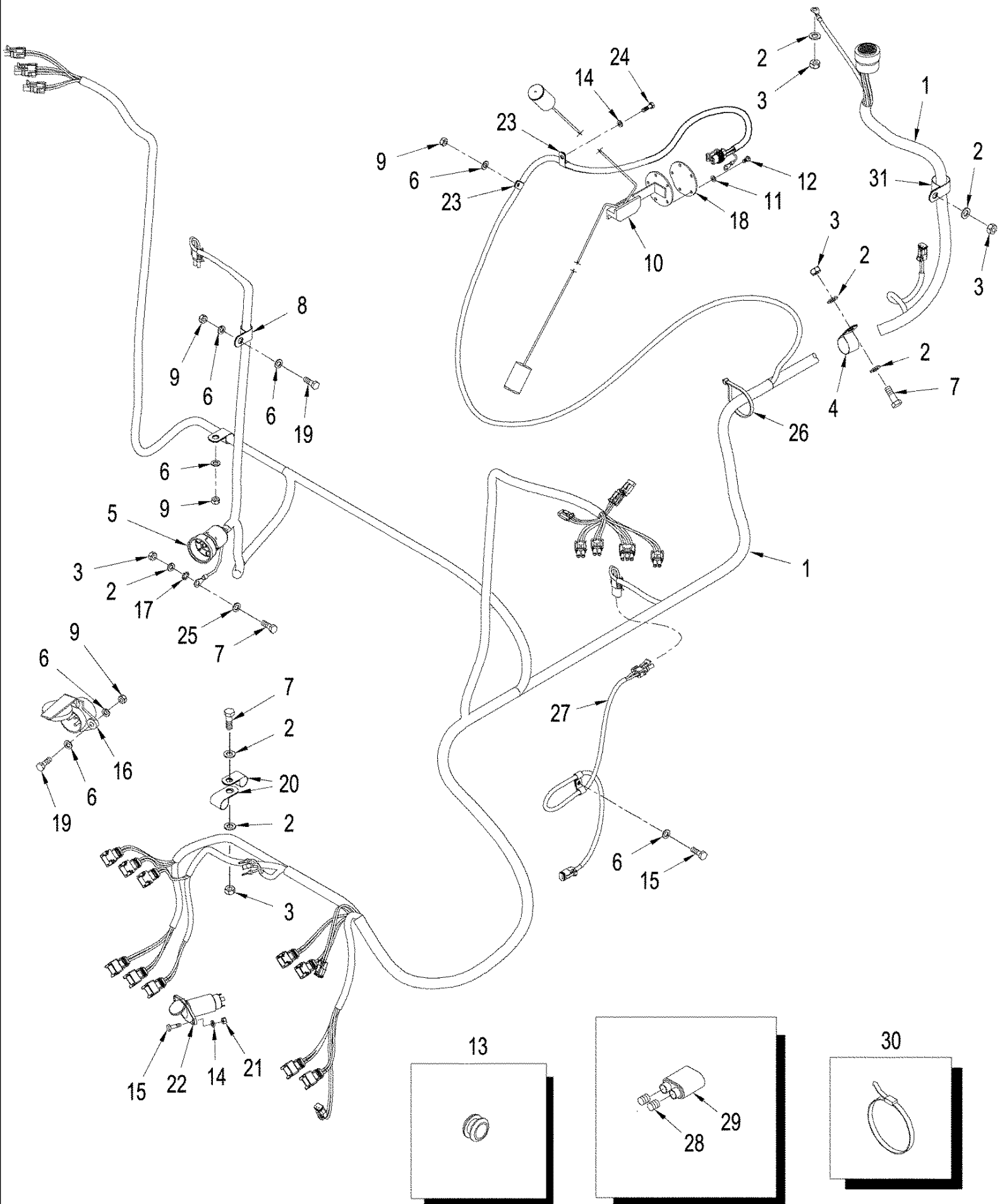
Ref	Part Number	Qty	Description
1	87332559	1	HARNESS, Front Frame, BSN Z6F202001
1	87550731	1	HARNESS, Front Frame, ASN Z6F202001
2	86624184	13	WASHER, M8 x 16 x 1.6,
3	43362	10	NUT, M8, CI 10,
4	86624176	5	WASHER, M10 x 20 x 2,
5	86500689	4	NUT, M10, CI 10,
6	330124A1	1	SWITCH, Temperature, Axle Lube
7	86639010	1	CLAMP, 3/8", Insul, 1/2" Bolt,
8	120103	3	BOLT, Hex, M8 x 16, 8.8,
9	L111928	5	CLAMP, Double
10	435437A1	2	STRAP, CABLE, 3/16" x 7 1/4", Tie
10	L11541	2	STRAP, Tie, Steering Harness
11	86572009	1	CLAMP, 3/8", Insul, 3/8" Bolt,
12	86637995	1	CLAMP, 1 1/16", Insul, 3/8" Bolt,
13	87445193	1	HARNESS, Light Bar, T9030 / 9040, TJ380 /430
13	87369666	1	HARNESS, Light Bar, TJ480 / 530, T9050 / 9060
14	300506	2	BOLT, Hex, M6 x 25, 8.8,
15	237582A1	1	HORN, FC9
16	87332146	1	HARNESS, Manual Transmission
17	87450246	1	HARNESS, Power Shift Transmission
18	A186004	1	SENSOR, Transmission Gear Speed
19	934120R1	1	NUT, Thin, M20 x 1.5, Jam, M20, CL10
20	388113	1	BOLT, Hex, M12 x 16, 8.8, Full Thd,
21	86625255	1	WASHER, M13.5 x 24.5 x 3, HT,
22	371122A2	1	HARNESS, Lower Wipers
23	515-2295	1	CLAMP, 3/8", Insul, 5/16" Bolt,
24	339529A1	1	SWITCH, Pressure, Park Brake
25	515-25381	1	CLAMP, 1 1/2", Insul, 1/2" Bolt,
26	87539795	1	ELBOW, 90, M12 or x 14, Inc. 27
27	637-63093	1	O-RING, CI 6, 9.3MM ID x 2.2 Thk,
28	375644A1	1	Pressure, Inc. 29
29	637-63113	1	O-RING, CI 6, 11.3MM ID x 2.2 Thk,
30	87551744	2	HARNESS, WIRE, Steering Pressure Sensor



TJ530 TRACTOR (1/06-) - Electrical System

04-18 HARNESS - REAR FRAME, WITH ELECTRONIC REMOTE, WITHOUT THREE POINT HITCH

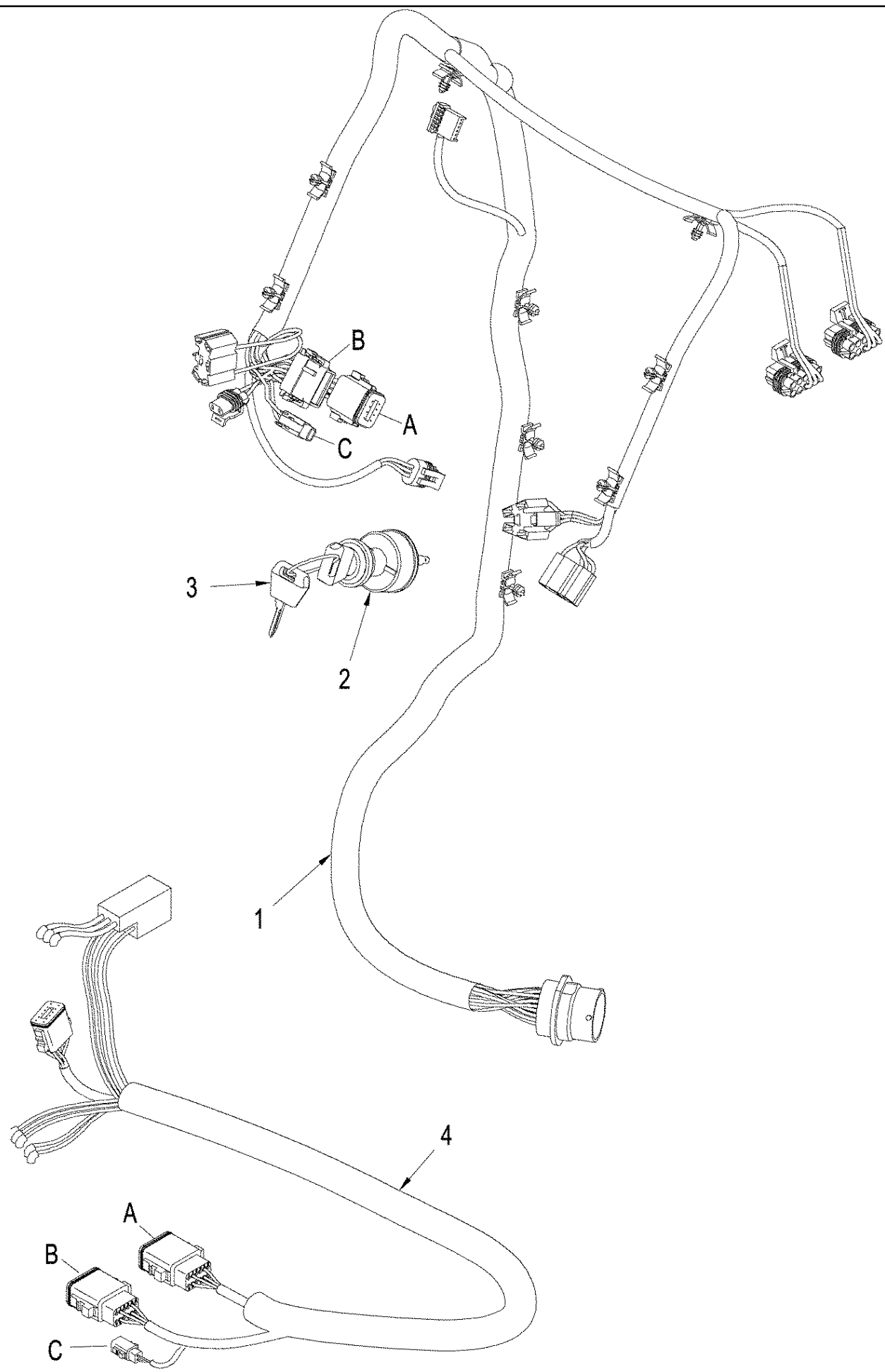
Ref	Part Number	Qty	Description
1	87354881	1	HARNESS, Rear Frame
2	86624176	8	WASHER, M10 x 20 x 2,
3	86500689	8	NUT, M10, CI 10,
4	515-23381	2	CLAMP, 1 1/2", Insul, 3/8" Bolt,
5	481849C1	1	COVER,
6	86624184	12	WASHER, M8 x 16 x 1.6,
7	614-10030	4	BOLT, Hex, M10 x 30, 8.8,
8	86010402	2	CLAMP, 1/2", Insul, 3/8" Bolt,
9	43362	9	NUT, M8, CI 10,
10	87434676	1	SENDER UNIT, Fuel Level, Inc. 18
11	895-11005	6	WASHER, M5 x 10 x 1,
12	614-5010	6	BOLT, Hex, M5 x 10, 8.8, Full Thd,
13	328265A1	3	GROMMET,
14	86624181	1	WASHER, M6,
15	120100	4	BOLT, Hex, M6 x 20, 8.8,
16	121645C1	1	SOCKET/RECEPTACLE,
17	86632602	1	WASHER, LOCK, Ext Tooth, M10,
18	104812C3	1	GASKET,
19	43234	2	BOLT, Hex, M8 x 25, 10.9,
20	515-2595	1	CLAMP, 3/8", Insul, 1/2" Bolt,
21	140028	1	WASHER, LOCK, M10,
22	86977726	1	BOLT, Hex, M6 x 12, 8.8,
23	440567A1	1	CABLE ASSY., Cable
24	392227A1	1	HARNESS, Differential Lock
25	435437A1	2	STRAP, CABLE, 3/16" x 7 1/4", Tie, 184 mm (7-1/4 in)
26	245483C1	4	CONNECTOR, ELEC, , Without Field Lights
27	225127C1	8	TERMINAL CONNECTOR, Type V4



TJ530 TRACTOR (1/06-) - Electrical System

04-19 HARNESS - REAR FRAME, WITH ELECTRONIC REMOTE AND THREE POINT HITCH

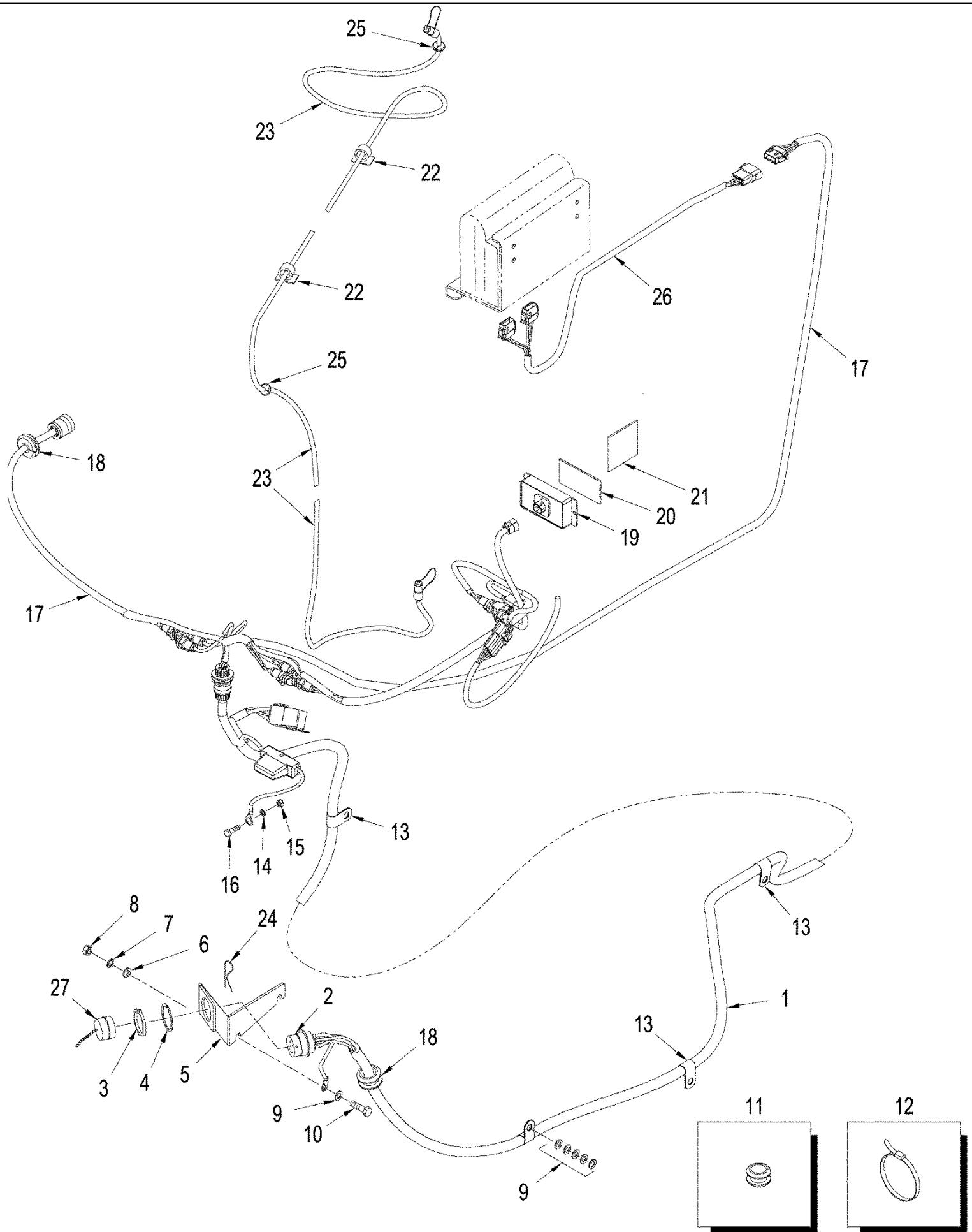
Ref	Part Number	Qty	Description
1	87354879	1	HARNESS, Rear Frame
2	86624176	8	WASHER, M10 x 20 x 2,
3	86500689	8	NUT, M10, CI 10,
4	515-23381	2	CLAMP, 1 1/2", Insul, 3/8" Bolt,
5	481849C1	1	COVER,
6	86624184	12	WASHER, M8 x 16 x 1.6,
7	614-10030	4	BOLT, Hex, M10 x 30, 8.8,
8	86639003	1	CLAMP, 3/8", Insul, 7/16" Bolt,
9	43362	10	NUT, M8, CI 10,
10	87434676	1	SENDER UNIT, Fuel Level, Inc. 18
11	895-11005	6	WASHER, M5 x 10 x 1,
12	614-5010	5	BOLT, Hex, M5 x 10, 8.8, Full Thd,
13	328265A1	3	GROMMET,
14	86624181	3	WASHER, M6,
15	120100	2	BOLT, Hex, M6 x 20, 8.8,
16	121645C1	1	SOCKET/RECEPTACLE,
17	86632602	1	WASHER, LOCK, Ext Tooth, M10,
18	104812C3	1	GASKET, Fuel Level Sender
19	43234	5	BOLT, Hex, M8 x 25, 10.9,
20	86639010	1	CLAMP, 3/8", Insul, 1/2" Bolt,
21	86500688	2	NUT, M6, CI 10,
22	367322A1	1	CONNECTOR, Remote, Three Point Hitch
23	86010402	2	CLAMP, 1/2", Insul, 3/8" Bolt,
24	86977726	1	BOLT, Hex, M6 x 12, 8.8,
25	140028	1	WASHER, LOCK, M10,
26	440567A1	1	CABLE ASSY.,
27	392227A1	1	HARNESS, Differential Lock
28	225127C1	8	TERMINAL CONNECTOR, Type V4
29	245483C1	4	CONNECTOR, ELEC, , Without Field Lights
30	435437A1	2	STRAP, CABLE, 3/16" x 7 1/4", 184 mm (7-1/4 in)
31	515-25254	1	CLAMP, 1", Insul, 1/2" Bolt,



TJ530 TRACTOR (1/06-) - Electrical System

04-20 HARNESS - FRONT CONSOLE

Ref	Part Number	Qty	Description
1	87332145	1	HARNESS, Front Console, With Manual Shift Transmission
1	87332137	1	HARNESS, Front Console, With Power Shift Transmission
2	87416177	1	SWITCH, IGNITION, Inc. 3
3	86502201	1	SET OF 2 KEYS, Ignition
	86993721	1	CONTROL, Transmission, With Self-Cancel, Inc. 4, Also See Figure: 05-03, With Power Shift Transmission
	414332A1	1	CONTROL, Transmission, With Self-Cancel, Inc. 4, Also See Figure: 05-02, With Manual Shift Transmission
4	375681A1	1	HARNESS, Transmission Control, With Self-Cancel, With Power Shift Transmission
4	416123A1	1	HARNESS, WIRE, Transmission Control, With Self-Cancel, With Manual Shift Transmission

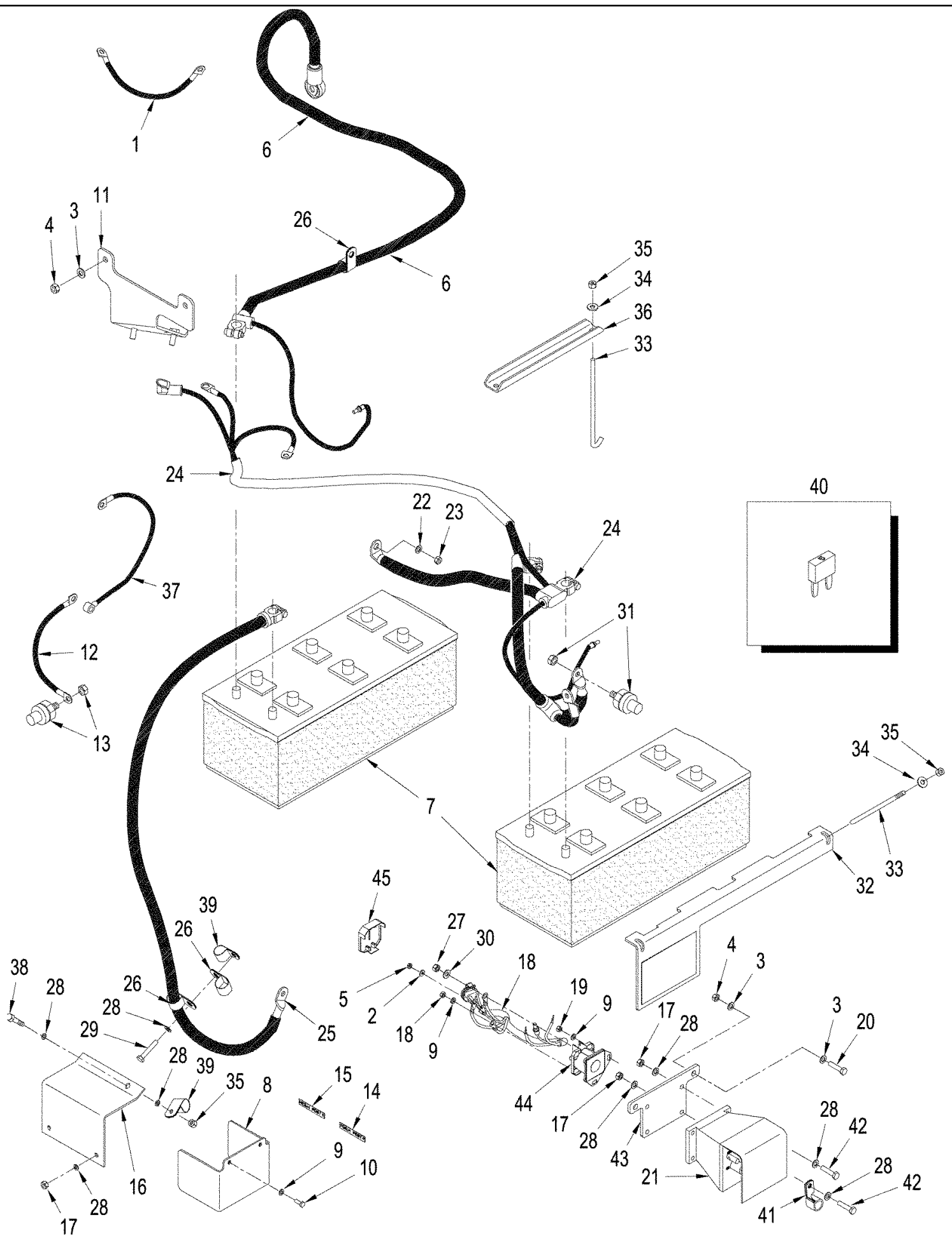


TJ530 TRACTOR (1/06-) - Electrical System

04-21 HARNESS - FLEX CONTROL

Ref	Part Number	Qty	Description
1	405029A2	1	HARNESS, Flex Control Chassis
2	352506A1	1	CONNECTOR, ELEC, Flex Control
3	459329C1	1	NUT,
4	459330C1	1	WASHER, LOCK,
5	405387A2	1	PLATE, Implement Connector
6	86632602	1	WASHER, LOCK, Ext Tooth, M10,
7	140028	2	WASHER, LOCK, M10,
8	86500689	2	NUT, M10, CI 10,
9	86625251	7	WASHER, M10 x 18 x 1.6,
10	86624978	2	BOLT, Hex, M10 x 35, 10.9, Full Thd,
11	328265A1	1	GROMMET,
12	435437A1	3	STRAP, CABLE, 3/16" x 7 1/4",
13	86598598	2	CLAMP, 3/4", Insul, 1/2" Bolt,
14	86509828	1	WASHER, LOCK, M5,
15	86509265	1	NUT, M5, CI 10,
16	86632597	1	BOLT, Hex, M5 x 12, 8.8, Full Thd,
17	87364530	1	HARNESS, Cab
18	86632690	1	GROMMET, 3/4" ID x 1 7/16" Groove Dia, Str Cut,
19	284638A2	1	CONNECTOR, ELEC, Active
20	406450A1	2	FASTENER, Dual Lock
21	406449A1	2	FASTENER, Dual Lock
22	169850C2	2	ANCHOR, Harness
23	405687A1	1	CABLE, Receiver
25	86624019	1	GROMMET, 3/8" ID x 5/8" Groove Dia, Str Cut,
26	87414764	1	HARNESS, Flex Control Jumper
27	245041C1	1	CAP, Flex Control Connector
24	86637652	2	PIN, SPLIT (COTTER), Int, 9/64" x .054",

04-22 BATTERIES



TJ530 TRACTOR (1/06-) - Electrical System

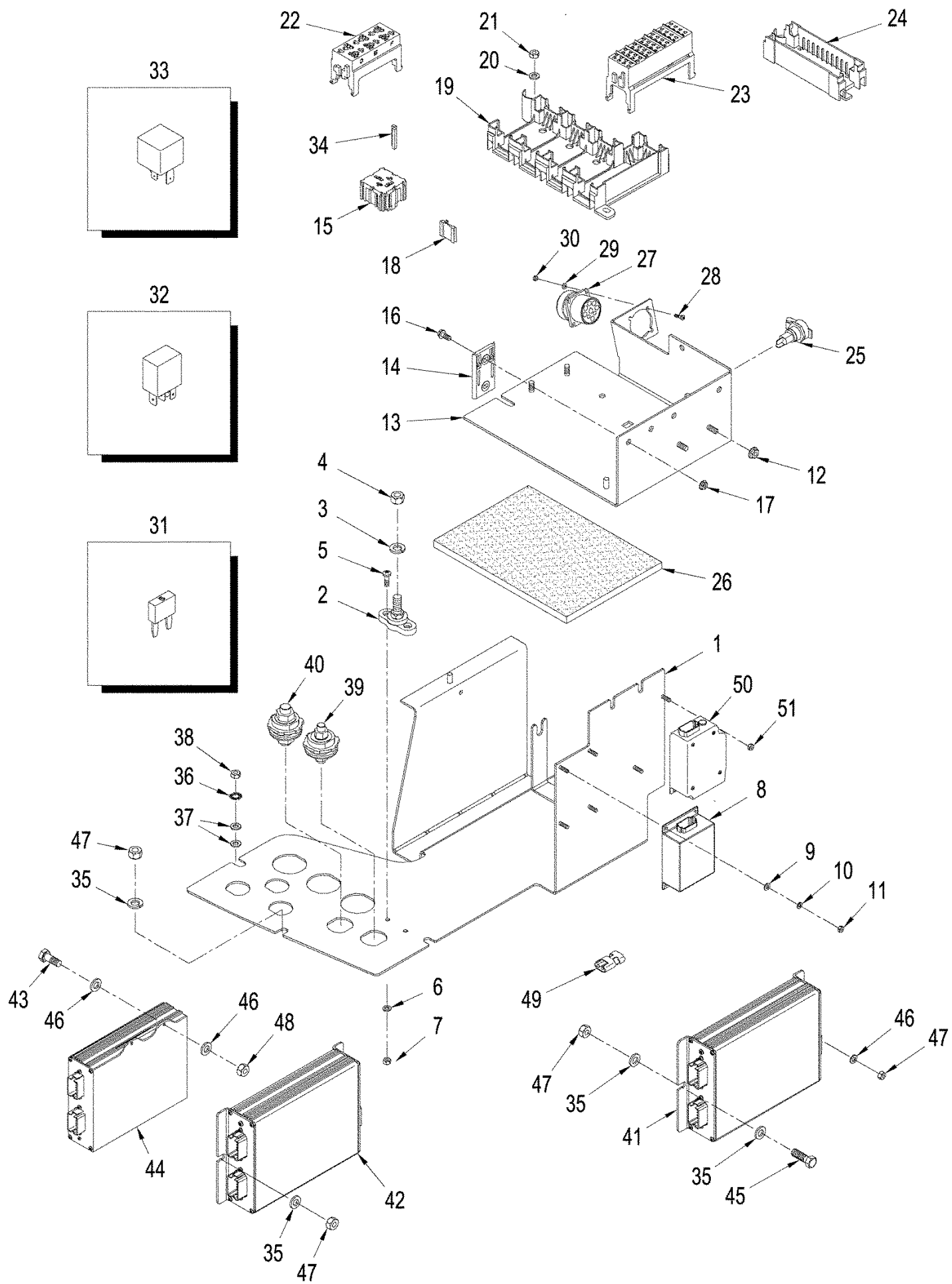
04-22 BATTERIES

Ref	Part Number	Qty	Description
1	364590A1	1	CABLE, Circuit Breaker
2	88612	1	WASHER, #10,
3	86511323	6	WASHER, M10 x 20 x 2,
4	86500689	4	NUT, M10, CI 10,
5	87825	1	NUT, #10-32,
6	87439131	1	CABLE, Starter, 24V
7	F925DSW	2	BATTERY, WET, 1000 cca, for purchase in the United States
7	9673907WDS	2	BATTERY, WET, 1000 cca, for purchase in Canada
8	87437207	1	SHIELD, Relay
9	9824259	4	WASHER, M6 x 12 x 1.6,
10	86639037	2	BOLT, Hex, M6 x 16, 10.9,
11	365035A6	1	BRACKET, Cab Harness
12	87426208	1	CABLE, Ground, Jump Start, 24V
13	A187583	1	STUD, Terminal, Jump Start
14	87427096	1	DECAL, Charging Post
15	87427317	1	DECAL, Negative (-) Post
16	87413792	1	SHIELD, Battery Terminals
17	43362	6	NUT, M8, CI 10,
18	87417510	1	HARNESS, Relay 12 / 24V
19	86500688	2	NUT, M6, CI 10,
20	9515003	2	BOLT, Hex, M10 x 30, 10.9, Full Thd,
21	80389120	1	SWITCH, ASSY, Relay, Inc. 40
22	86624177	1	WASHER, M12 x 24 x 2.5,
23	337475	1	NUT, M12, CI 10,
24	87439132	1	CABLE, Cab Power, 12V
25	87418058	1	CABLE, Ground, 24V
26	86625038	3	CLAMP, 1", Insul, 1/2" Bolt,
27	9635082	2	NUT, 5/16"-18, G5,
28	86511315	11	WASHER, M8 x 16 x 1.6,
29	86639210	1	BOLT, Hex, M8 x 45, 10.9,
30	87362	2	WASHER, 5/16" SAE,
31	582785C91	1	CONNECTOR, TERMINAL, Jump Start
32	87425760	1	PLATE, Battery Hold Down, Side
33	87413678	2	ROD, Battery Hold Down
34	896-15008	4	WASHER, M8 x 21.5 x 2.5, HT,
35	412250	5	NUT, LOCK, M8 x 1.25, CI 8,
36	87413679	1	CHANNEL, Battery Hold Down, Center
37	87437248	1	CABLE, Relay, Chasis Ground
38	43228	1	BOLT, Hex, M6 x 80, 10.9,
39	86639011	2	CLAMP, J, 3/4", Insul, 3/8" Bolt,
40	420580	2	PLATE, Fuse, 80 Amp
41	R43926	1	CLAMP, 90 Twist
42	86639039	4	BOLT, M8 x 35, CL10.9
43	87417495	1	PLATE, Mounting, Relay Switch
44	183038A1	1	SWITCH, SOLENOID, w/ Barrier

TJ530 TRACTOR (1/06-) - Electrical System

04-22 BATTERIES

Ref	Part Number	Qty	Description
45	178148A1	1	COVER, Solenoid



TJ530 TRACTOR (1/06-) - Electrical System

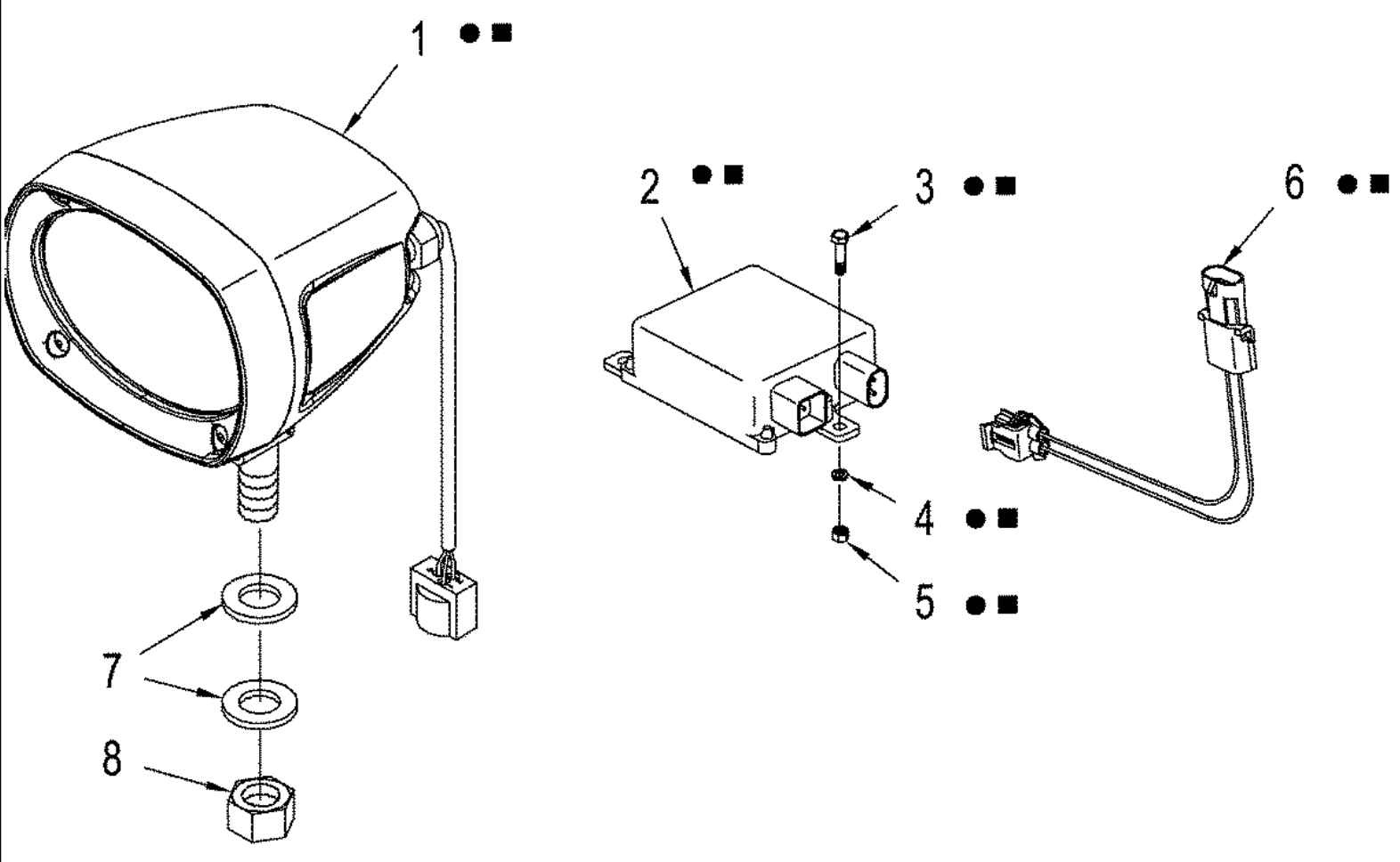
04-23 ELECTRONIC MODULE ASSY

Ref	Part Number	Qty	Description
1	87416914	1	BRACKET, Mounting, RH Armrest Module
2	435434A1	1	BLOCK, Junction
3	140028	1	WASHER, LOCK, M10,
4	9628503	1	NUT, 3/8"-16, G5,
5	86511826	2	SCREW, Cross Pan Hd, M5 x 16,
6	86625261	2	WASHER, M5 x 10 x 1,
7	86509265	2	NUT, M5, CI 10,
8	397346A1	1	FLASHER UNIT, Interface Module
9	86624179	4	WASHER, M4,
10	86639307	4	WASHER, Lock, M4
11	86625075	4	NUT, LOCK, M4 x .7, CI 8,
12	86511444	3	NUT, M6, Flg Ser,
	87366657	1	MODULE, Electronics, Inc. 13 - 34, Also See Figure: 04-15, With Power Shift Transmission, BSN Z6F202001
	87366658	1	MODULE, Electronics, Inc. 13 - 34, Also See Figure: 04-15, With Manual Shift Transmission, BSN Z6F202001
13	87416914	1	BRACKET, , BSN Z6F202001
13	87416911	1	, ASN Z6F202001
14	367147A1	3	BRACKET, Mounting
15	367145A1	5	BLOCK, Terminal
16	86639263	3	SCREW, Hex Wash Hd, M5 x 12,
17	43416	3	NUT,
18	430116A1	AR	LOCK,
19	191135A1	1	BASE, Terminal Block Mounting
20	86624181	4	WASHER, M6,
21	86500688	3	NUT, M6, CI 10,
22	144417A1	3	BLOCK, CONNECTING,
23	144421A1	2	BLOCK, CONNECTING,
24	194319A1	1	TERMINAL,
25	300655A1	1	SOCKET, POWER,
26	349062A1	1	PAD, RUBBER,
27	310057A1	1	CONNECTOR, ELEC,
28	86639260	4	SCREW, M3 x 12; 4.8
29	86639310	4	WASHER, M3,
30	86508812	4	NUT, M3, CI 8,
31	121416A1	AR	FUSE, 30 amp
31	121414A1	AR	FUSE, 20 amp
31	121413A1	AR	FUSE, 15 amp
31	121415A1	AR	FUSE, 25 amp
31	121412A1	AR	FUSE, 10 amp
31	121411A1	AR	FUSE, 5 amp
31	368224A1	2	DIODE, Mini, 1 amp, Differential Lock
32	87414866	AR	RELAY, 20 amp
33	368459A1	AR	RELAY, 70 amp
34	367146A1	4	WEDGE,

TJ530 TRACTOR (1/06-) - Electrical System

04-23 ELECTRONIC MODULE ASSY

Ref	Part Number	Qty	Description
35	86624184	4	WASHER, M8 x 16 x 1.6,
36	86632602	2	WASHER, LOCK, Ext Tooth, M10,
37	86624176	4	WASHER, M10 x 20 x 2,
38	86500689	2	NUT, M10, CI 10,
39	A187523	1	BLOCK, CONNECTING, Junction, With Manual Shift Transmission
39	190158A1	1	BLOCK, , With Power Shift Transmission
40	311430A1	1	BLOCK,
41	87354994	1	CONTROL UNIT, Three Point Hitch , Download Software from Service Tool.
42	313776A4	1	CONTROL UNIT, Auxiliary, Download Software from Service Tool.
43	840-1616	2	SCREW, Cross Pan Hd, M6 x 16,
44	87573403	1	MODULE, Transmission, Download Software from Service Tool., BSN Z6F202012
44	87587161	1	MODULE, Transmission, Download Software from Service Tool., ASN Z6F202012
45	43232	1	SCREW,
46	86625261	5	WASHER, M5 x 10 x 1,
47	80043362	3	NUT,
48	832-10405	2	NUT, LOCK, M5 x .8, CI 8,
49	87537124	1	CONNECTOR, TERMINAL, Jumper, Can
50	86989612	1	MODULE, ISO ECU, If Used
51	832-10406	2	NUT, LOCK, M6 x 1, CI 8,



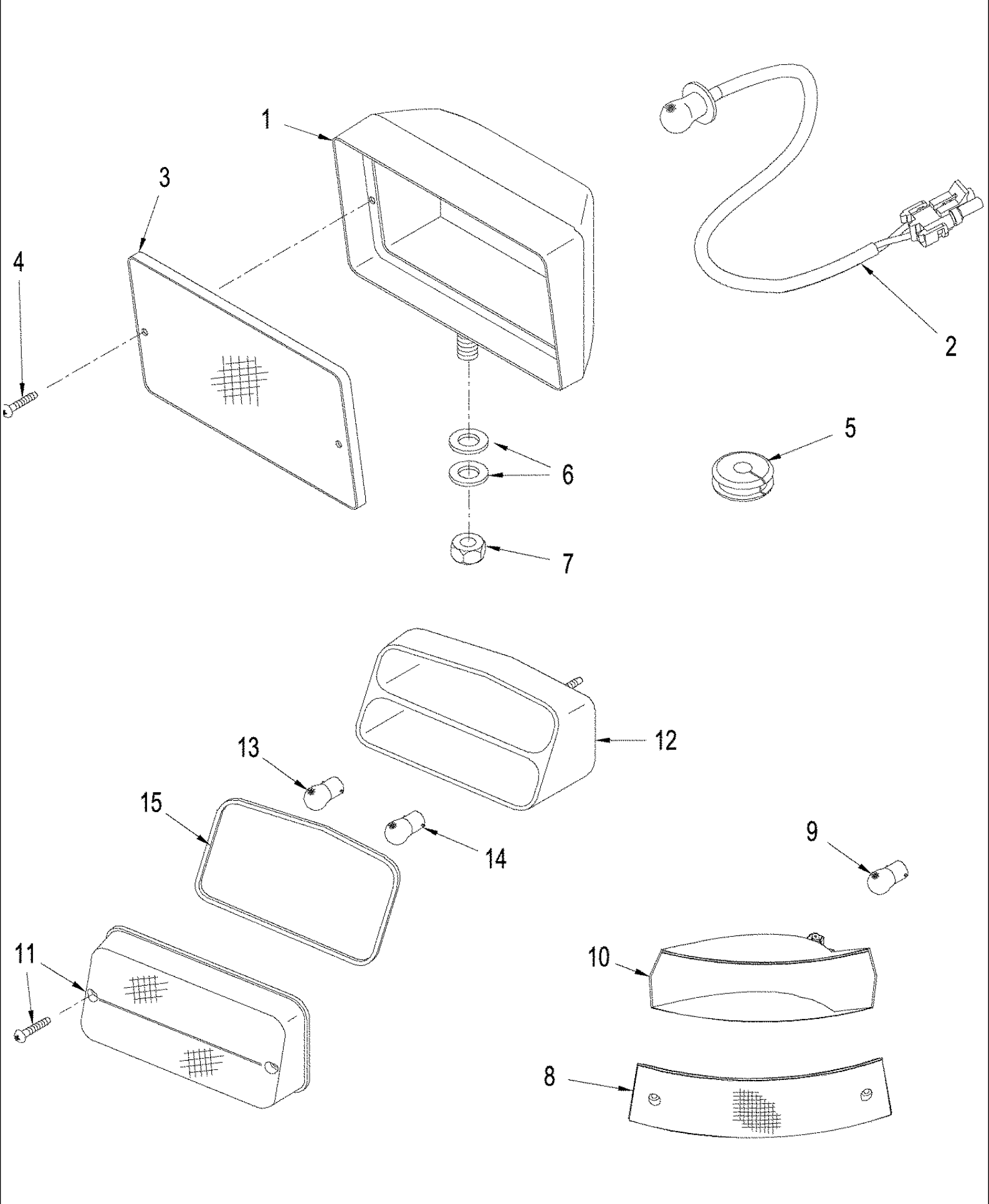
KIT

● = 9
■ = 10

TJ530 TRACTOR (1/06-) - Electrical System

04-24 LAMPS - REAR FRAME, H.I.D.

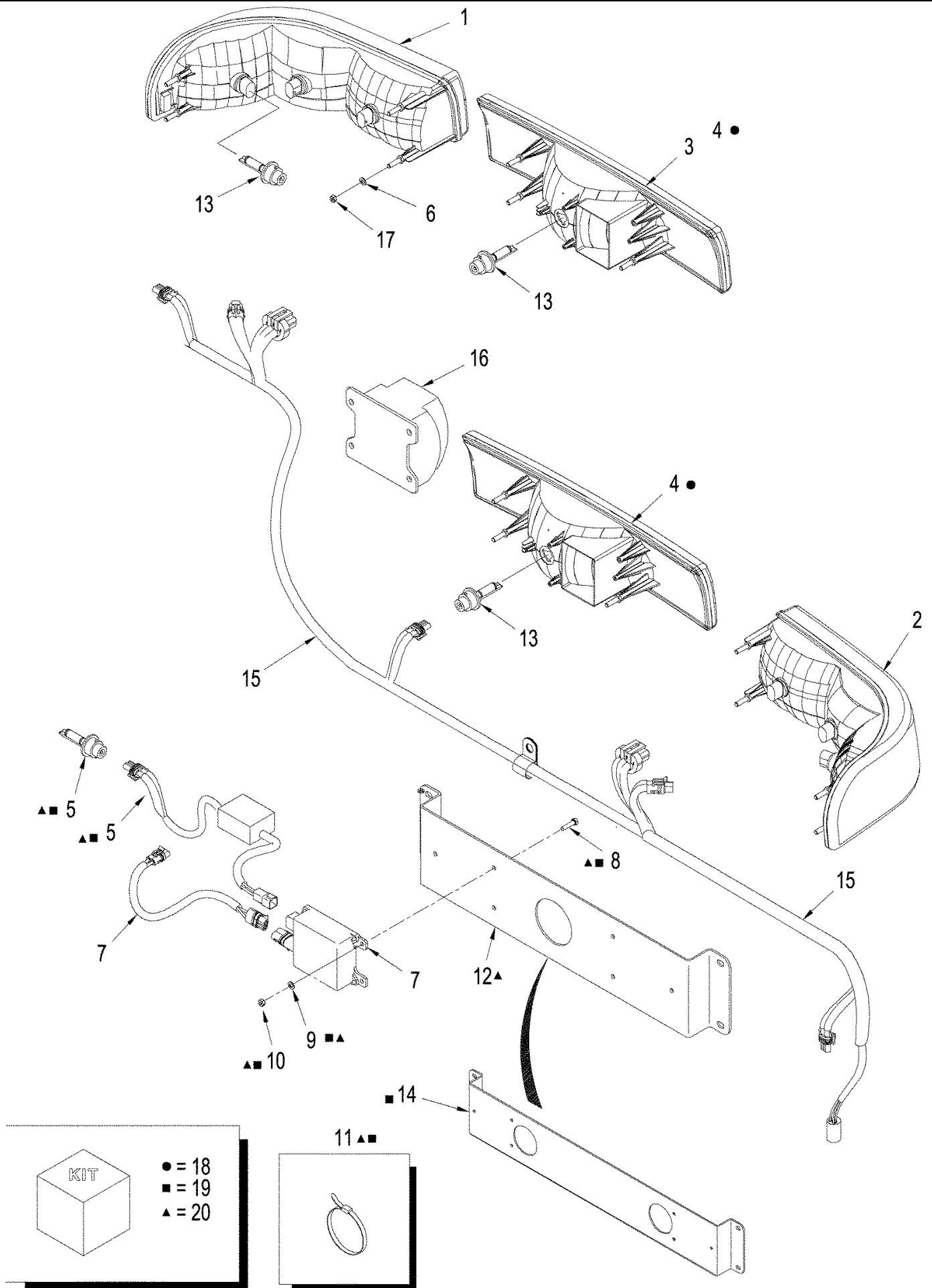
Ref	Part Number	Qty	Description
1	87419587	2	LAMP, Flood
1	87419591	2	LAMP, Trap
2	447742A1	AR	Ballast,
3	120098	8	BOLT, Hex, M5 x 20, 8.8, Full Thd,
4	9824326	8	WASHER, M5,
5	86639241	8	NUT, LOCK, M5 x .8, CI 8,
6	87419583	AR	CABLE, Ballast to Rear Harness
7	86625256	8	WASHER, M12 x 28.5 x 4, HT,
8	86500689	4	NUT, M10, CI 10,
9	719618003	1	KIT, FIP, H.I.D., Rear Flood, Inc. 1 - 6
10	719702013	1	KIT, FIP, H.I.D., Rear Trap, Inc. 1 - 6



TJ530 TRACTOR (1/06-) - Electrical System

04-25 LAMPS - REAR FRAME AND FIELD

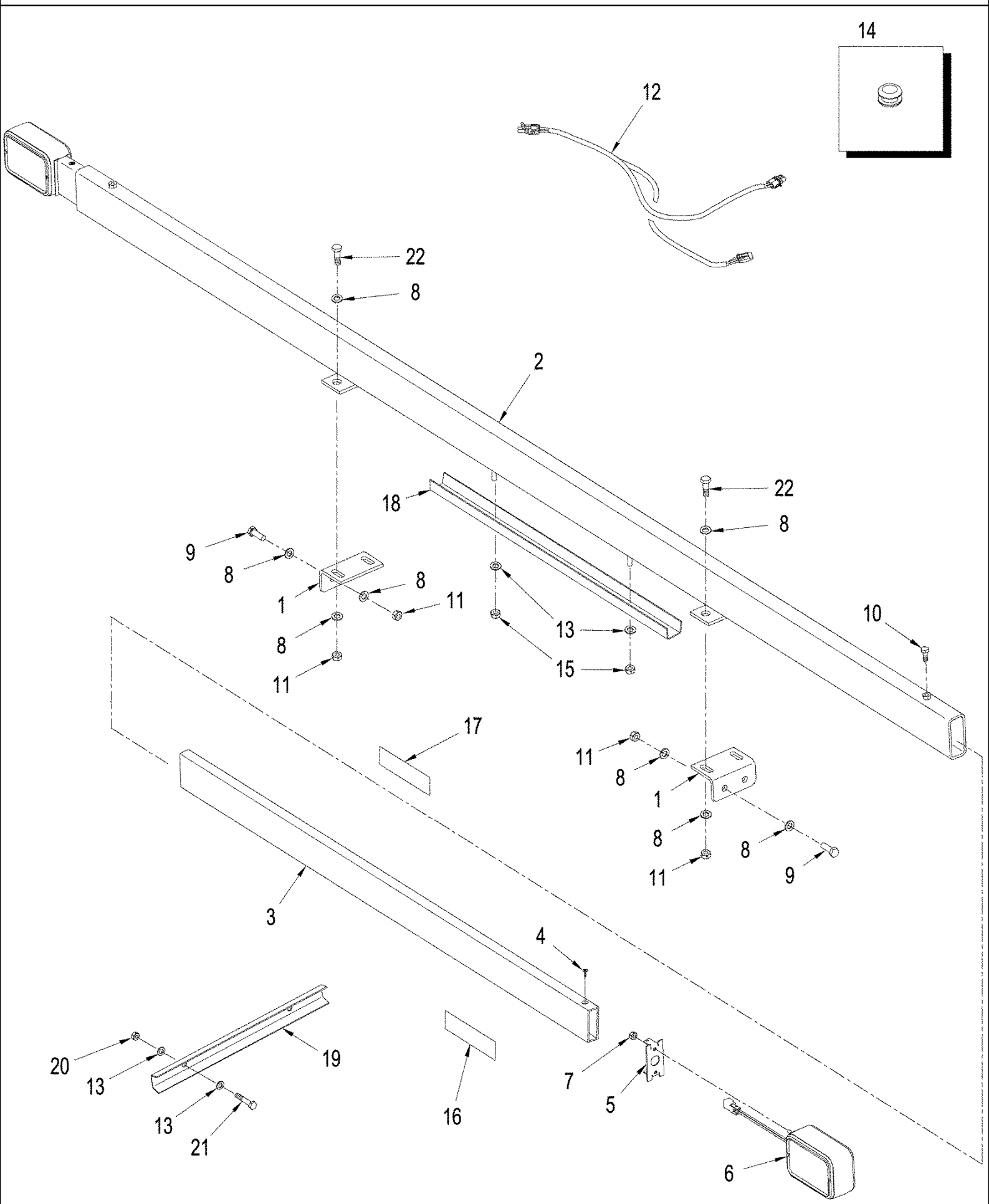
Ref	Part Number	Qty	Description
	92269C1	AR	LAMP, WORK, Inc. 1 - 4
1	1964806C1	1	BEZEL, Work Lamp
2	1312210C2	1	BULB, 12V, 55W
3	276498A1	1	LENS, Work Lamp
4	86637784	2	SCREW, SELF TAPPING, Cross Pan Hd, #6 x 3/4",
5	87030421	2-4	GROMMET, 3/8" ID x 1 1/4" Groove Dia, Str Cut,
6	86625256	4-8	WASHER, M12 x 28.5 x 4, HT,
7	86500689	2-4	NUT, M10, CI 10,
	320246A1	4	LAMP, Cab Roof, Warning / Hazard, Inc. 8 - 10
8	183748A1	1	LENS, Amber
9	529068	1	BULB, #1156, 12V,
10	NSS	1	NOT SERVICED SEPARATELY, Housing, Cab Roof Warning / Hazard Lamp
	82026300	1	LAMP, TAIL, Rear Frame, Right Hand, Inc. 11 - 15
	82026301	1	LAMP, TAIL, Rear Frame, Left Hand, Inc. 11 - 15
11	87357815	1	LENS, LH, Red /Amber
11	87357816	1	LENS, RH, Red / Amber
12	14148090	1	BULB, Housing
13	14148190	1	BULB, 12V-21W
14	14144690	1	BULB, 12V-21/5W, Double Filament
15	87357827	1	GASKET, Rear Lamp



TJ530 TRACTOR (1/06-) - Electrical System

04-26 HEADLAMPS

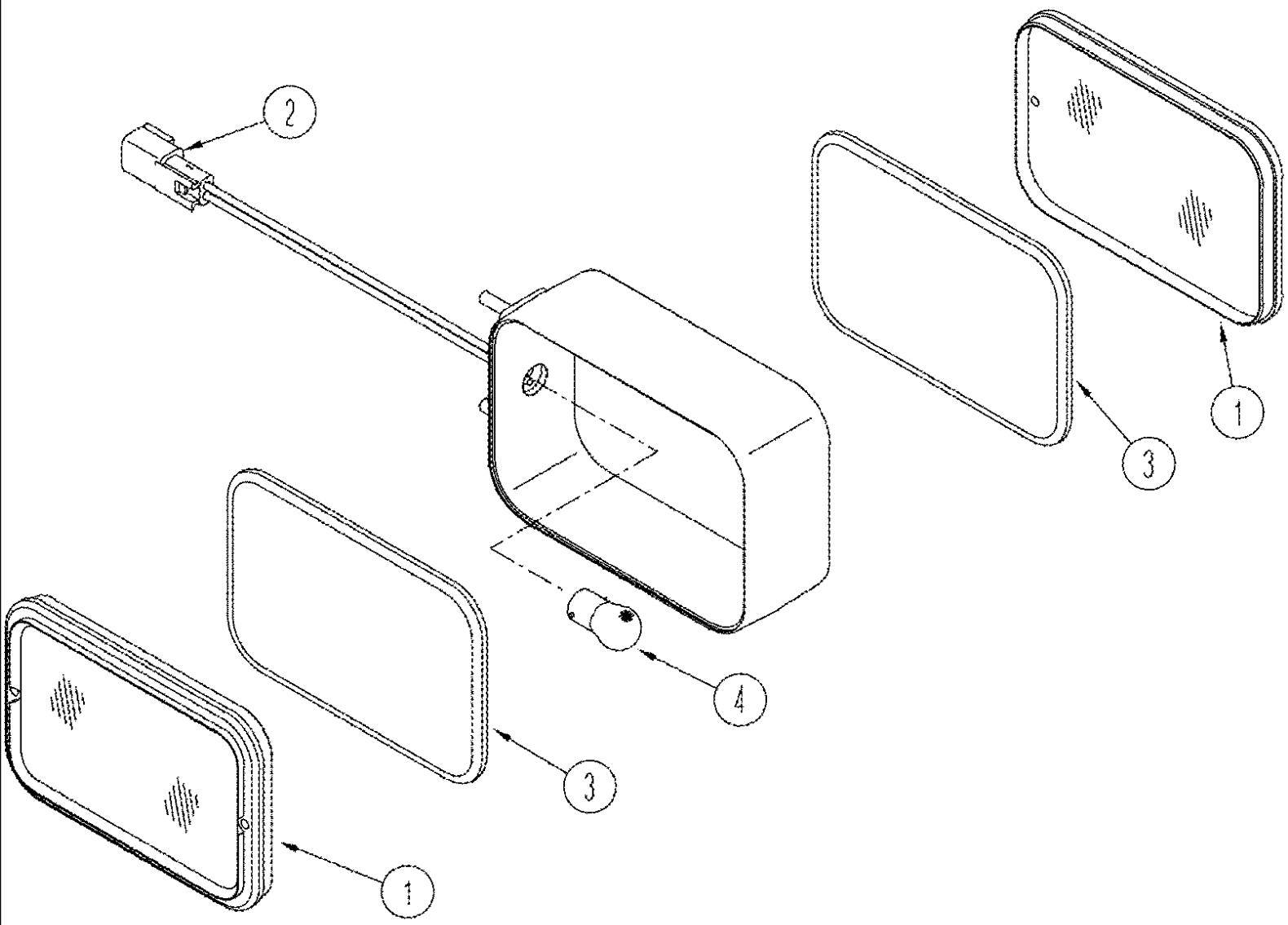
Ref	Part Number	Qty	Description
1	395574A1	1	HEADLAMP, LH, Hi / Low, Road & Work Lamp, Front Grille, Inc. 13
2	395573A1	1	HEADLAMP, RH, Hi / Low, Road & Work Lamp, Front Grille, Inc. 13
3	395576A1	1	HEADLAMP, Center, Halogen, T9030 / 9040, TJ380 /430
3	395577A1	1	HEADLAMP, Center, High Intensity Discharge (H.I.D), TJ380 /430, T9030 / 9040
4	402631A1	2	HEADLAMP, Center, Halogen, TJ480 / 530, T9050 / 9060
4	402632A1	2	LIGHT, Center, High Intensity Discharge (H.I.D), T9050 / 9060, TJ480 / 530
5	87366792	2	BULB, 885-12V, Worklight / Headlamp
6	86517328	10	WASHER, LOCK, M6,
7	87366790	2	Ballast, Front Jumper, RH & LH Lamps
8	614-5020	AR	BOLT, Hex, M5 x 20, 8.8, Full Thd,
9	895-11005	AR	WASHER, M5 x 10 x 1,
10	832-10405	AR	NUT, LOCK, M5 x .8, CI 8,
11	435437A1	4	STRAP, CABLE, 3/16" x 7 1/4", Cable
12	87433036	1	BRACKET, Ballast, H.I.D., T9030 / 9040, TJ380 /430
13	323093A1	2	BULB, Halogen Worklamp, 885-12V
14	87448000	1	FIXING BRACKET, H.I.D Ballast, TJ480 / 530, T9050 / 9060
15	87369663	1	HARNESS, Light Bar, TJ380 /430, T9030 / 9040
15	87369666	1	HARNESS, H.I.D. Light Bar, TJ480 / 530, T9050 / 9060
16	87325207	1	BOX, Light, T9050 / 9060, TJ480 / 530
17	86500688	10	NUT, M6, CI 10,
18	719511026	1	KIT, H.I.D. Front Corner, Inc. 4, TJ480 / 530, T9050 / 9060
19	719511036	1	KIT, H.I.D. Front Corners, Inc. 5, 8 - 11, 14, T9050 / 9060, TJ480 / 530
20	719619026	1	KIT, H.I.D. Front Corners, Inc. 5, 8 - 12, T9030 / 9040, TJ380 /430



TJ530 TRACTOR (1/06-) - Electrical System

04-27 LAMPS - MARKER

Ref	Part Number	Qty	Description
1	402164A2	2	BRACKET, Mounting, Marker Lamps
2	402085A1	1	SUPPORT, Center, Marker Lamps
3	402090A1	1	TUBE, Inner, Marker Lamps
4	86639265	2	SCREW, Hex Flat Hd, M5 x 12, 4.8,
5	362496A1	1	BRACKET, Support, Marker Lamp
6	367321A1	1	LAMP, Warning, See Figure: 04-28
7	86509265	2	NUT, M5, CI 10,
8	86624176	16	WASHER, M10 x 20 x 2,
9	9515003	4	BOLT, Hex, M10 x 30, 10.9, Full Thd,
10	43233	2	BOLT, Hex, M8 x 20, 10.9,
11	86500689	8	NUT, M10, CI 10,
12	87520424	1	HARNESS, Marker Lights
13	86624184	2	WASHER, M8 x 16 x 1.6,
14	86637782	2	GROMMET, 3/8" ID x 1" Groove Dia, Str Cut,
15	86528579	2	NUT, LOCK, M8 x 1.25, CI 10,
16	297221A1	4	DECAL, Red and Orange
17	297223A1	4	DECAL, Yellow
18	402168A1	1	CHANNEL, Wire Guard
19	413188A1	1	CHANNEL, Wire Harness
20	43362	4	NUT, M8, CI 10,
21	86639210	2	BOLT, Hex, M8 x 45, 10.9,
22	9515003	4	BOLT, Hex, M10 x 30, 10.9, Full Thd,

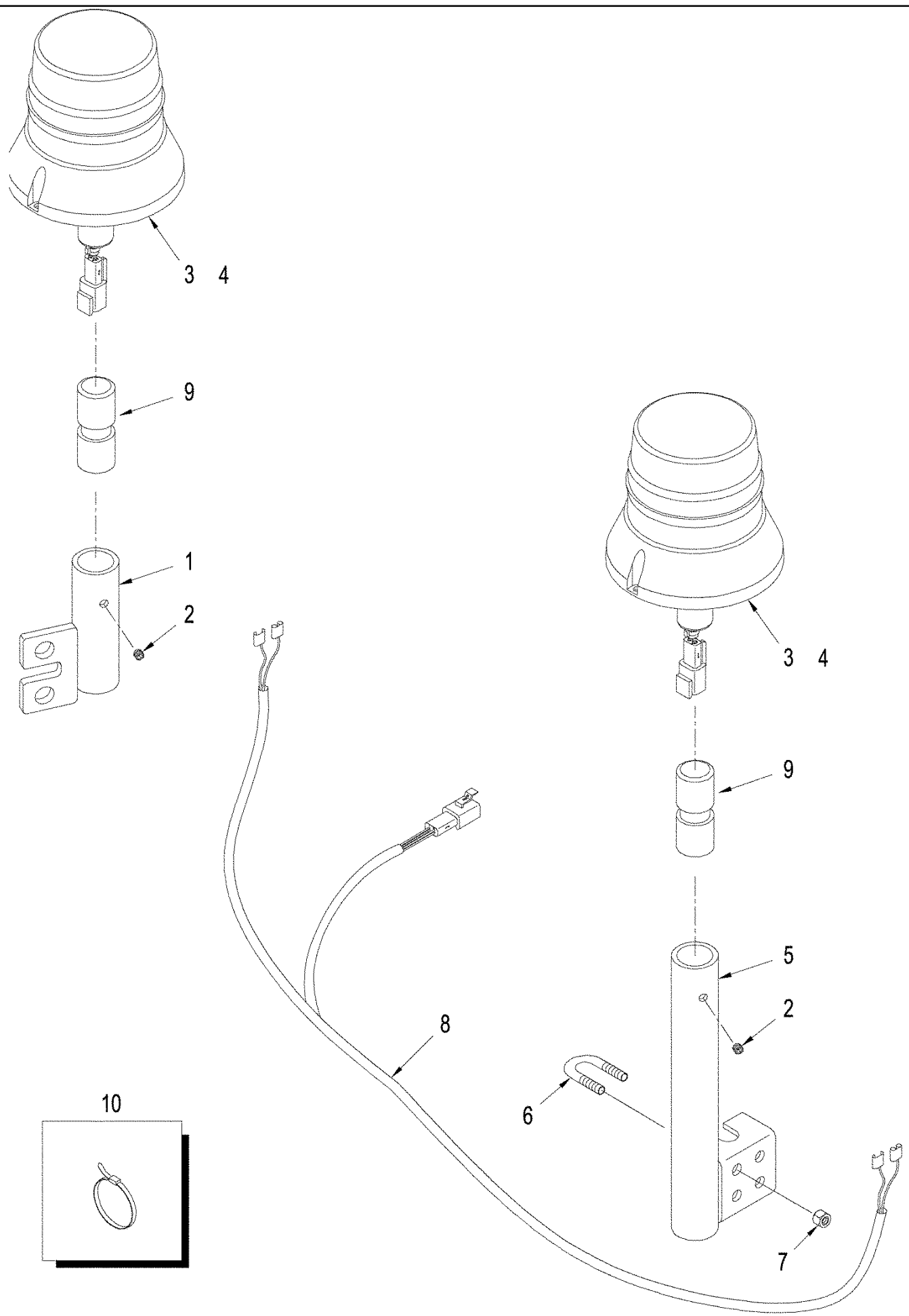


TJ530 TRACTOR (1/06-) - Electrical System

04-28 LAMPS - SIDE MARKER WARNING

Ref	Part Number	Qty	Description
	367321A1	1	LAMP, Warning, Inc. 1 - 4
1	232212A1	2	LENS, Amber
2	222136A1	1	CONNECTOR, ELEC,
3	233561A1	2	O-RING,
4	529068	1	BULB, #1156, 12V,

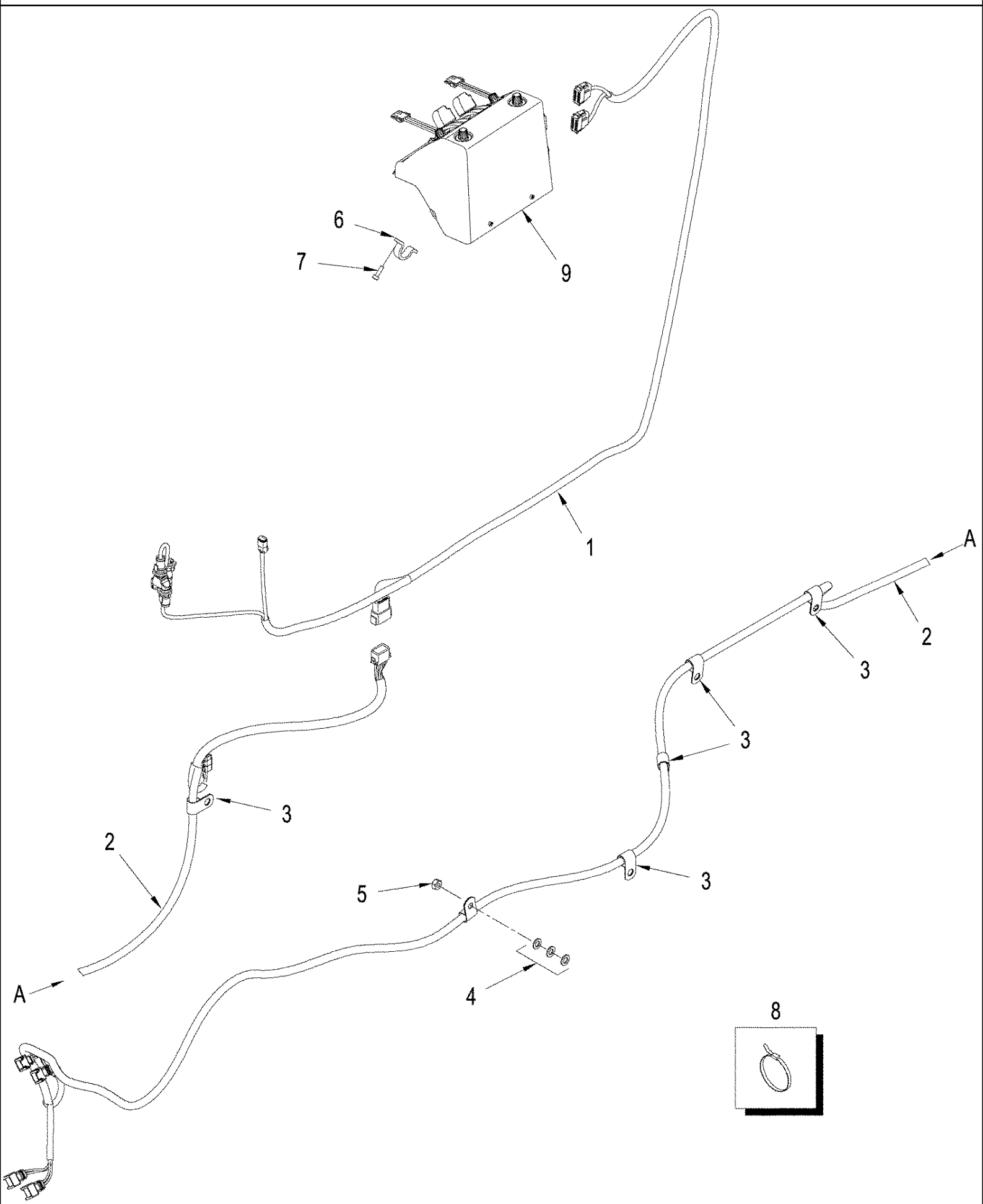
04-29 LAMP - STROBE



TJ530 TRACTOR (1/06-) - Electrical System

04-29 LAMP - STROBE

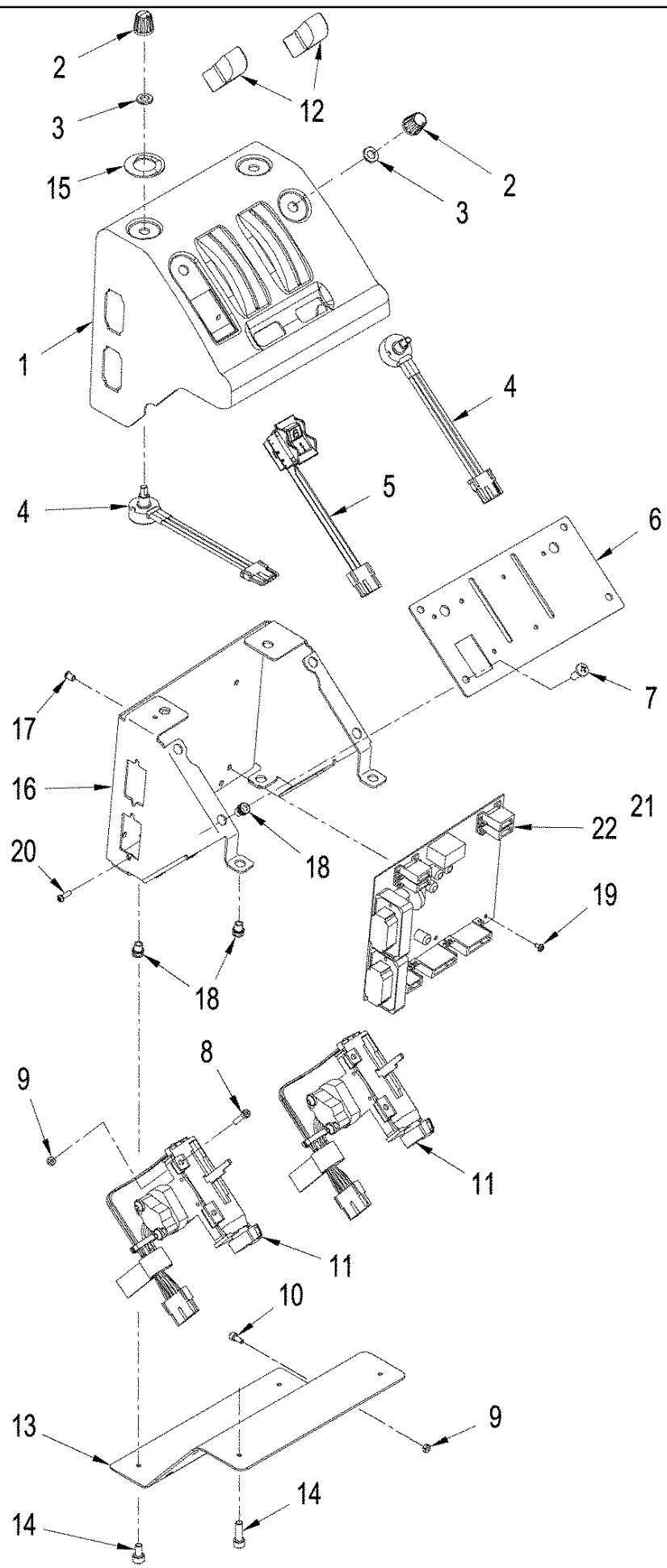
Ref	Part Number	Qty	Description
1	383983A1	1	BRACKET, Mounting
2	86639305	1	SET SCREW, Hex Soc, M6 x 6, Cup Pt,
3	175048A1	1	BEACON, Strobe, Inc. 4
4	323095A1	1	BULB,
5	387938A2	1	SUPPORT ASSY., Mounting, Europe Option
6	253105A1	2	U-BOLT, M8, Europe Option
7	412250	4	NUT, LOCK, M8 x 1.25, Cl 8, , Europe Option
8	396484A1	1	HARNESS, Beacon Light, Europe Option
8	87325934	1	HARNESS, Beacon Light
9	244106A1	1	CONNECTOR, ELEC, Tube Support
10	L18331	1	STRAP, CABLE,



TJ530 TRACTOR (1/06-) - Electrical System

04-30 WIRING - MEGA FLOW HYDRAULIC CONTROLS

Ref	Part Number	Qty	Description
1	430834A1	1	HARNESS, Cab, Mega Flow
2	430835A1	1	HARNESS, Chassis, Mega Flow
3	86598598	6	CLAMP, 3/4", Insul, 1/2" Bolt,
4	86624176	3	WASHER, M10 x 20 x 2,
5	86500689	1	NUT, M10, CI 10,
6	412027A2	2	CLAMP, Pipe
7	86642446	4	SCREW, Socket, M6 x 20, CL8.8
8	435437A1	2	STRAP, CABLE, 3/16" x 7 1/4",
9	87518269	1	CONTROL UNIT, Box Assy., Mega Flow, See Figure: 04-31
	719576003	1	KIT, Mega Flow, Inc. 6, See Figure: 04-31

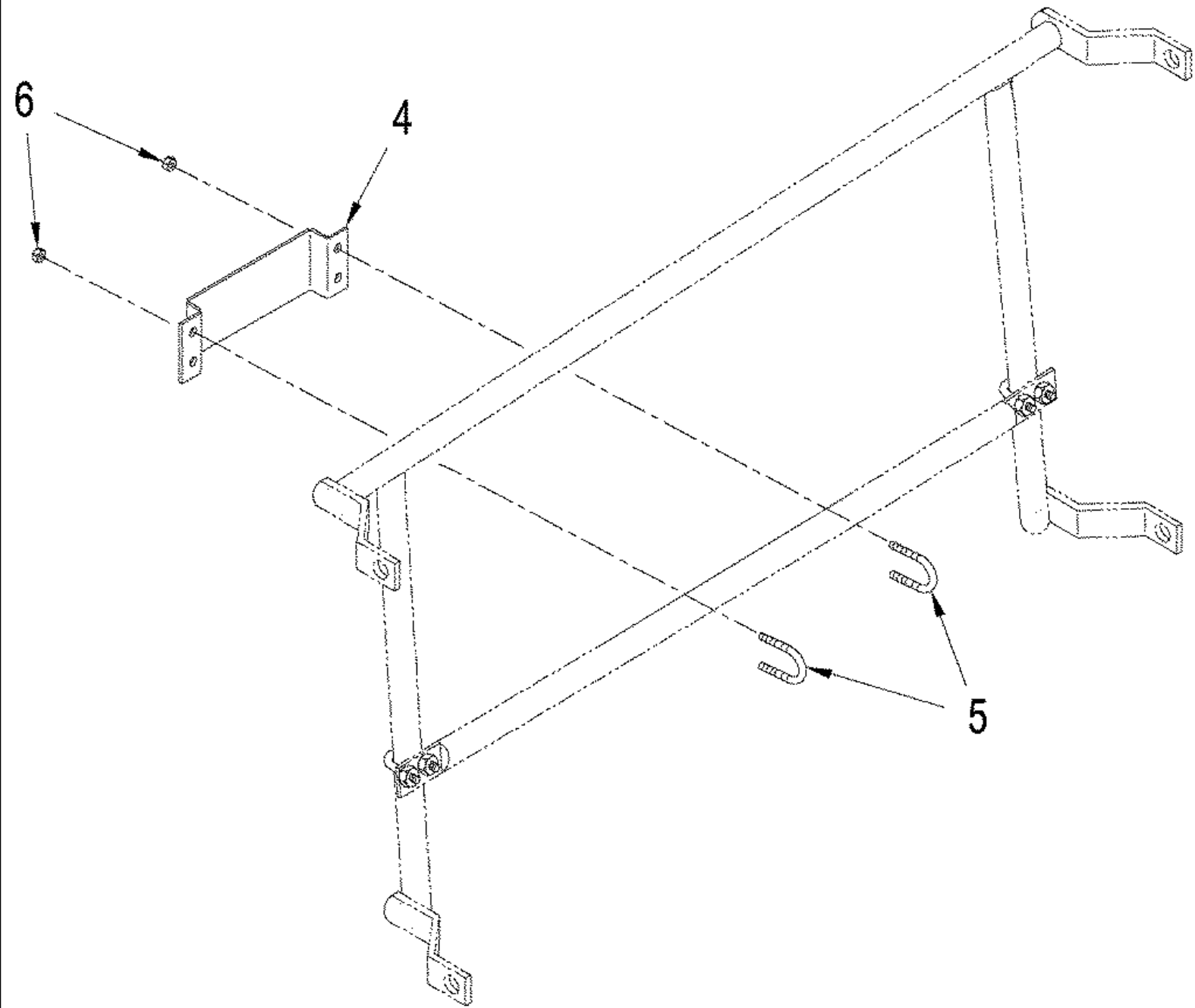
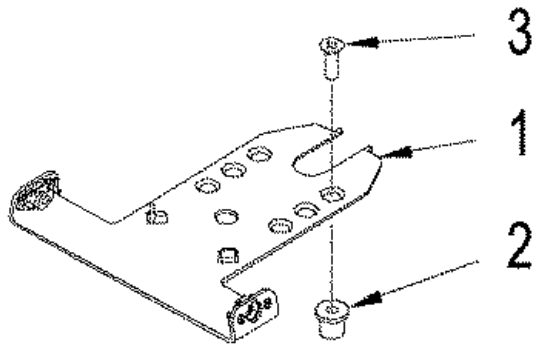


TJ530 TRACTOR (1/06-) - Electrical System

04-31 MEGA FLOW HYDRAULIC CONTROLS

Ref	Part Number	Qty	Description
	87518269	1	CONTROL UNIT, Box Assy., Mega Flow, Inc. 1 - 9 & 11 - 22
1	418147A4	1	COVER ASSY, Mega Flow Controls
2	276797A1	4	KNOB, Flow Control
3	444868A1	8	NUT, 3/4"
4	256305A2	4	POTENTIOMETER, Draft Control
5	413148A1	1	SWITCH, Mega Flow
6	NSS	1	NOT SERVICED SEPARATELY, Plate, Mounting
7	444867A1	4	SCREW,
8	86639294	4	SCREW, Hex Soc Hd, M4 x 20, 8.8,
9	100012	4	NUT, M4, CI 8,
10	86639292	2	SCREW, Socket, M4 x 10; 8.8
11	87395299	2	VALVE, CONTROL, Electrohydraulic
12	409724A2	2	KNOB, Remote Lever, Mega Flow
13	418148A2	1	COVER, Plate
14	86642445	4	SCREW, Socket, M6 x 12; 8.8
15	438237A1	1	DECAL, Flow Control
16	411981A3	1	BRACKET, Mounting, Mega Flow Controls
17	412295A1	5	SPACER,
18	404287A1	12	INSERT,
19	47112222	5	SCREW, M4 x 6
20	25-HT00012	5	SCREW,
21	NSS	1	NOT SERVICED SEPARATELY, Software
22	412070A1	1	BOARD, PRINTED CIRCUIT,
	719576003	1	KIT, Mega Flow, Inc. 1 - 9, 11 - 22, See Figure: 04-30

04-32 MOUNTING - FLEX CONTROL

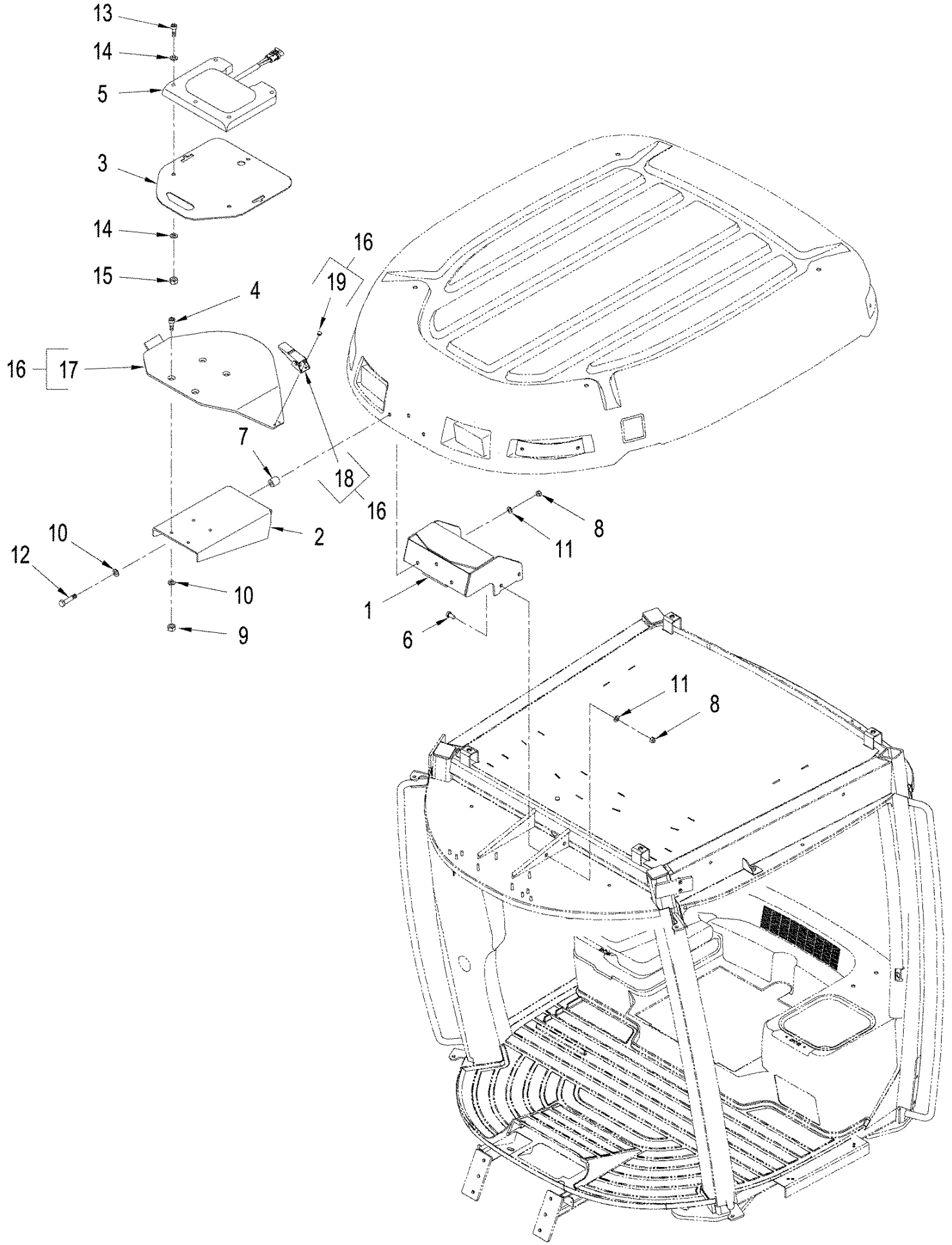


TJ530 TRACTOR (1/06-) - Electrical System

04-32 MOUNTING - FLEX CONTROL

Ref	Part Number	Qty	Description
1	279293A2	1	SUPPORT, Bracket, Beacon
2	D135342	4	ISOLATOR,
3	14305221	4	SCREW, Hex Soc Hd, M6 x 16, 8.8,
4	87414515	1	MOUNTING PARTS, AFS Display
5	19-6258	2	U-BOLT,
6	425-104	4	NUT, 1/4"-20, G5,

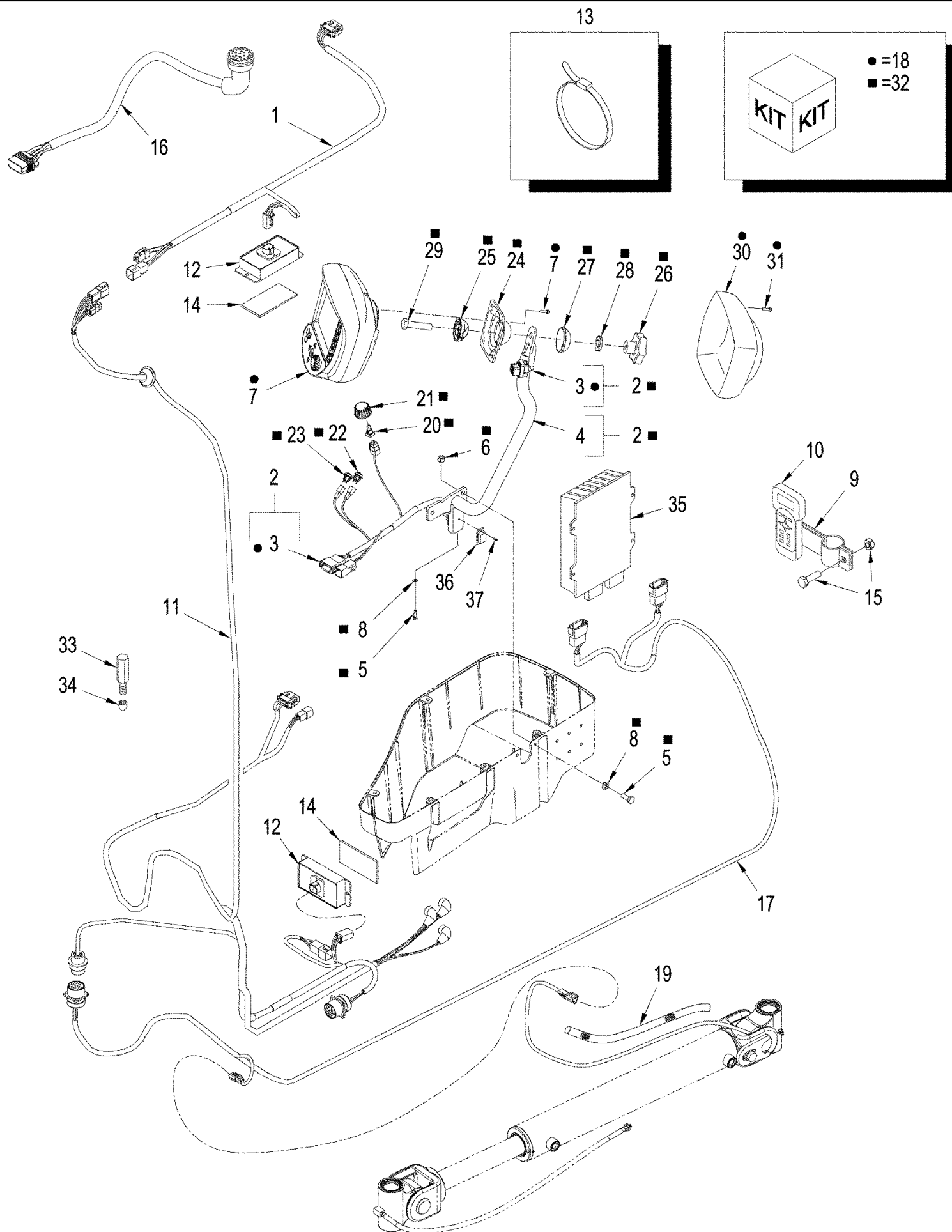
04-33 INTELLISTEER, GPS - MOUNTING



TJ530 TRACTOR (1/06-) - Electrical System

04-33 INTELLISTEER, GPS - MOUNTING

Ref	Part Number	Qty	Description
1	87304763	1	MOUNTING PARTS, GPS Mounting
2	87304768	1	BRACKET, GPS Mounting
3	87568855	1	PLATE, MOUNTING, Portable GPS Receiver
4	374897	4	SCREW, Hex Flat Hd, M8 x 25, 4.8,
5	87308224	1	MODULE, GPS Receiver
6	9861444	4	BOLT, Hex, M10 x 20, 10.9, Full Thd,
7	87304771	3	SPACER,
8	86500689	7	NUT, M10, CI 10,
9	43362	4	NUT, M8, CI 10,
10	86624184	7	WASHER, M8 x 16 x 1.6,
11	86624176	7	WASHER, M10 x 20 x 2,
12	827-10055	3	BOLT, Hex, M10 x 55, 10.9,
13	814-8060	3	BOLT, Hex, M8 x 60, 8.8,
14	895-11006	6	WASHER, M6,
15	825-5146	3	NUT, M6, Flg Ser,
16	87528080	1	PLATE, BASE, GPS Mounting Assy., Inc. 17 - 19
17	87528045	1	PLATE, BASE, GPS Mounting
18	87308870	1	LATCH, GPS Mounting
19	87308841	2	RIVET, Pop, 5/32" x .425",

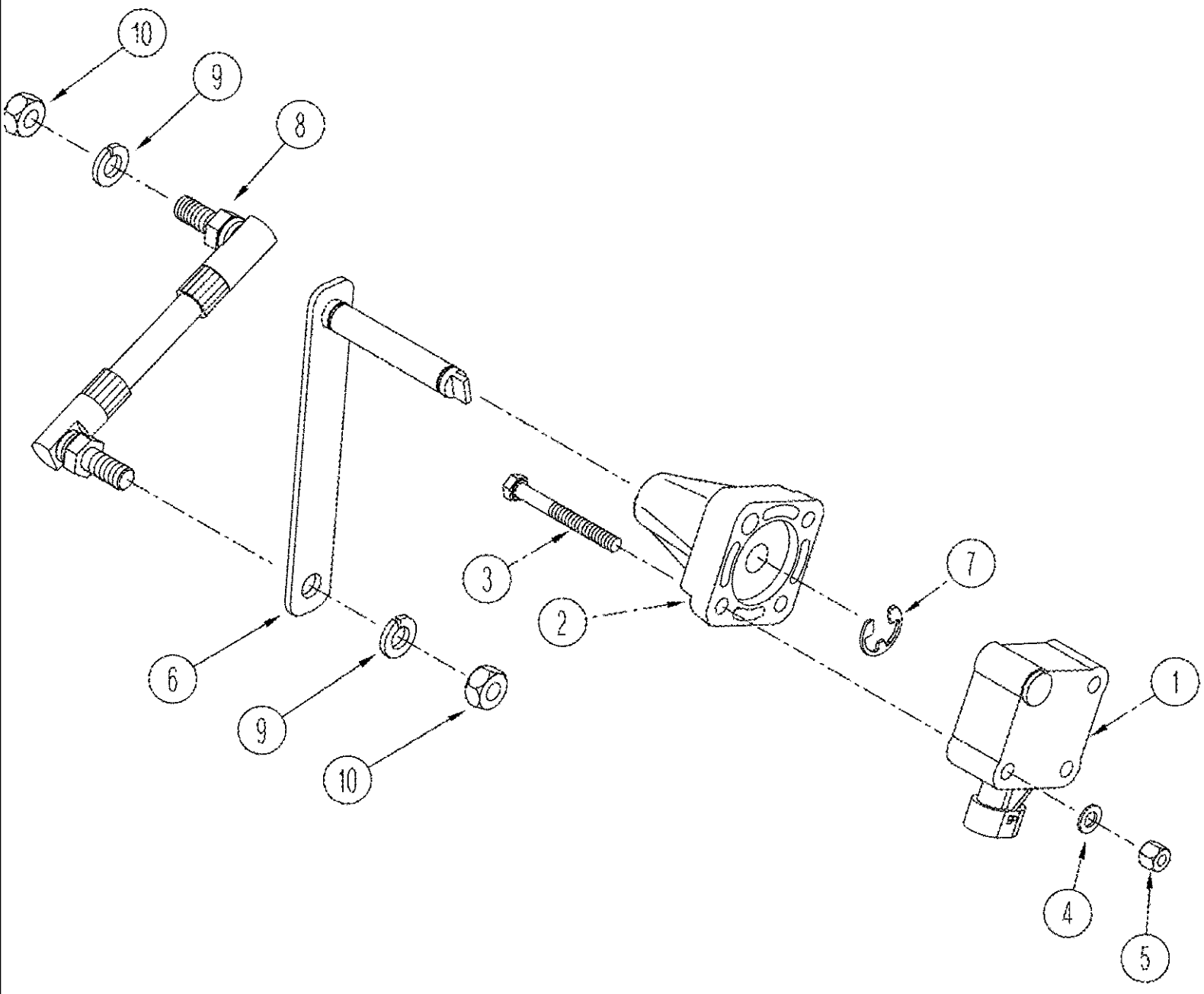


TJ530 TRACTOR (1/06-) - Electrical System

04-34 INTELLISTEER PLUS MOUNTING & RELEATED PARTS

Ref	Part Number	Qty	Description
1	87580504	1	HARNESS, Auto Guidance, Cab Roof
2	87566063	1	HARNESS, Monitor, Inc. 3, 4, 36 & 37
3	NSS	1	NOT SERVICED SEPARATELY, Harness, Virtual Terminal
4	NSS	1	NOT SERVICED SEPARATELY, Tube, Mounting
5	43233	3	BOLT, Hex, M8 x 20, 10.9,
6	43362	3	NUT, M8, CI 10,
7	NSS	1	NOT SERVICED SEPARATELY, Monitor, Intelliview Plus, Wide Color Virtual Terminal, Order from INTELLISTEER Pricebook.
8	895-11008	3	WASHER, M8 x 16 x 1.6,
9	87428367	1	BRACKET, Mounting
10	87428366	1	MODULE, Radio, RDL
11	87584843	1	HARNESS, Cab
12	284638A2	2	CONNECTOR, ELEC, Active Terminator
13	L11541	15	STRAP, Tie
14	406450A1	4	FASTENER, Velcro
15	87428369	1	SET, Bolt
16	87428396	1	CABLE ASSY., RTK Radio to Antenna
17	87331556	1	HARNESS, Chassis
18	719631026	1	KIT, Virtual Terminal Display, Inc. 7, 30, 31
19	A64737	1	SLEEVE, Protective
20	87365742	1	SWITCH, Optical
21	87454709	1	KNOB, Encoder
22	87453959	1	SWITCH, Escape
23	87453957	1	SWITCH, Home
24	87325557	1	PLATE, MOUNTING, Ball Joint
25	82038414	1	PROTECTION CAP, Ball
26	87353504	1	KNOB, Monitor Mounting
27	82039389	1	WASHER, CUP, Ball Joint
28	896-15012	1	WASHER, M12 x 28.5 x 4, HT,
29	814-12050	1	BOLT, Hex, M12 x 50, 8.8,
30	87325765	1	COVER, Ball Joint
31	87536486	6	SCREW, M4 x 16, CL12.9
32	87555071	1	DIA KIT, TRACTOR, Mounting, Inc. 2, 5 - 8, 20 - 29 & 31
33	87423195	4	SPACER,
34	440570A1	4	STUD,
35	87346979	1	CONTROL, Module, NAV II
36	87588663	1	COVER, CAP, USB
37	440-1044	2	SCREW, Cross Oval Hd, #4-40 x 1/4",

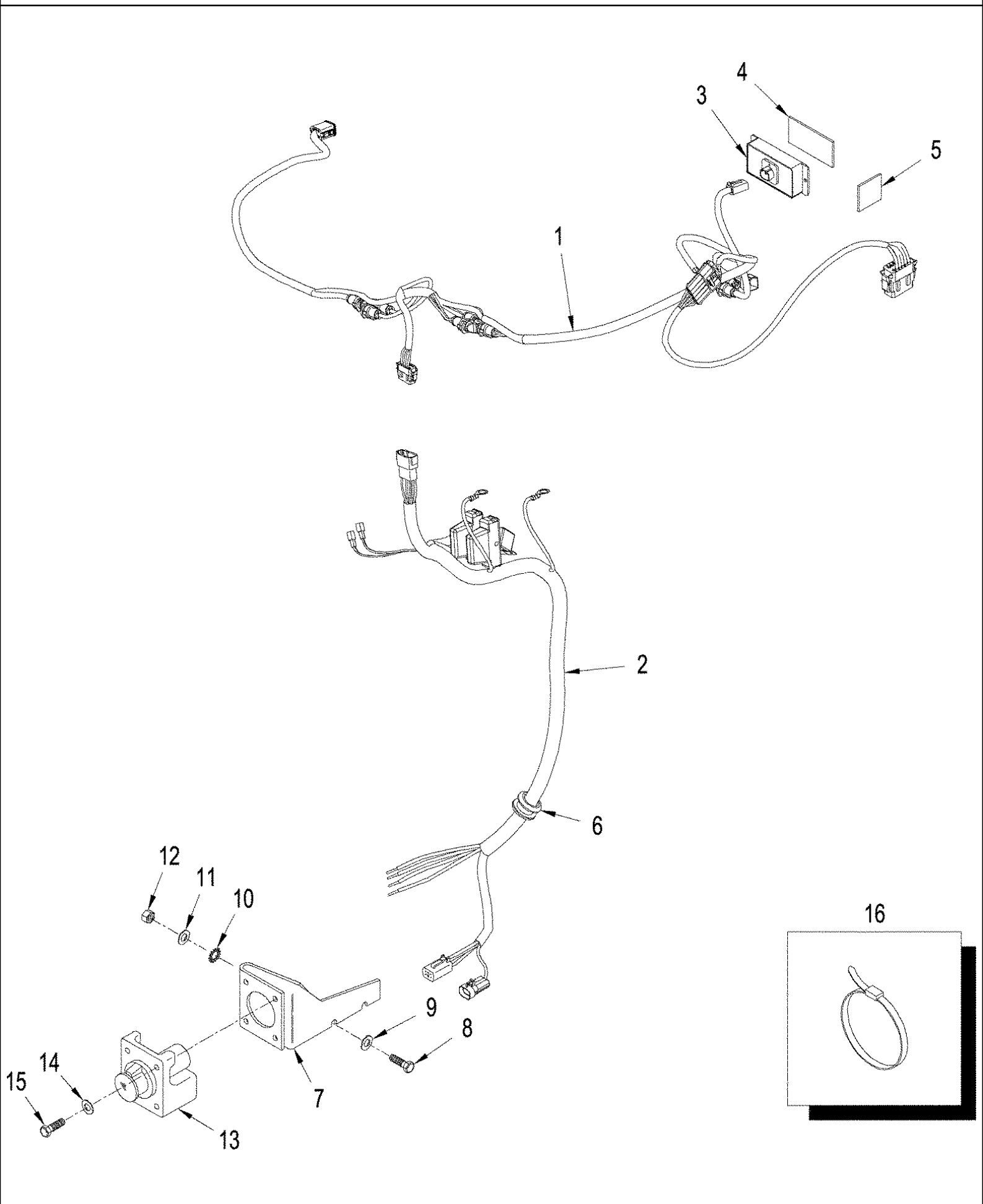
04-35 SENSOR - HITCH POSITION



TJ530 TRACTOR (1/06-) - Electrical System

04-35 SENSOR - HITCH POSITION

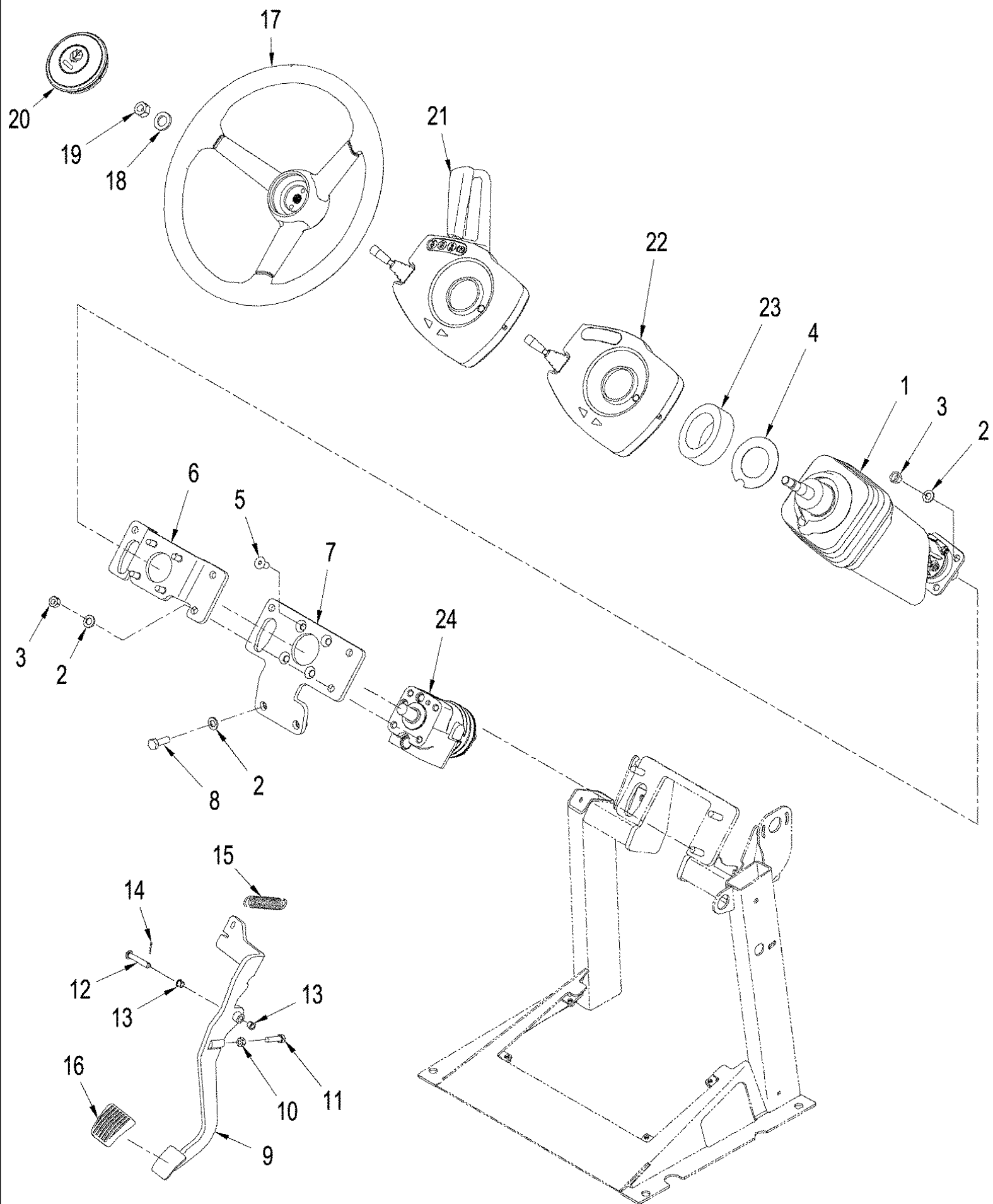
Ref	Part Number	Qty	Description
1	283659A1	1	SENSOR, Hitch Position
2	305020A2	1	BUSHING,
3	86639027	3	BOLT, Hex, M5 x 45, 8.8, Full Thd,
4	86625261	3	WASHER, M5 x 10 x 1,
5	86639241	3	NUT, LOCK, M5 x .8, CI 8,
6	353926A1	1	ARM, Sensor
7	86639141	2	CIRCLIP, M10, Retaining
8	358978A1	1	ROD, Tie
9	80681	2	WASHER, LOCK, 5/16",
10	43362	2	NUT, M8, CI 10,



TJ530 TRACTOR (1/06-) - Electrical System

04-36 HARNESS - ISO IMPLEMENT

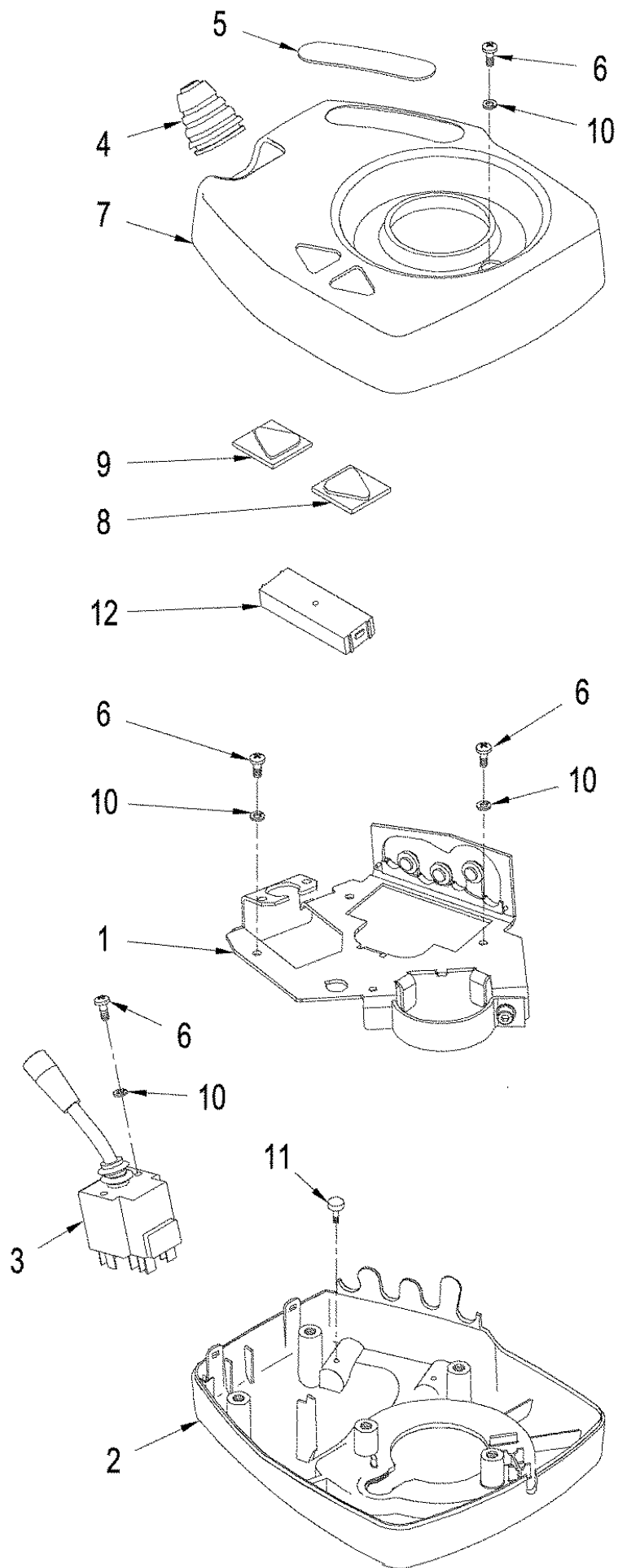
Ref	Part Number	Qty	Description
1	87566384	1	HARNESS, ISO Cab
2	87342623	1	HARNESS, ISO Chasis
3	284638A2	1	CONNECTOR, ELEC, Active Terminator
4	406450A1	2	FASTENER, Dual Lock
5	406449A1	1	FASTENER, Dual Lock
6	328265A1	1	GROMMET,
7	87359272	1	BRACKET, Connector
8	627-10035	2	BOLT, Hex, M10 x 35, 10.9, Full Thd,
9	895-18010	2	WASHER, M10 x 18 x 1.6,
10	893-11010	2	WASHER, LOCK, Ext Tooth, M10, Tooth
11	892-11010	2	WASHER, LOCK, M10, Spring
12	829-1410	2	NUT, M10, CI 10,
13	87418273	1	CONNECTOR, ELEC, Receptacle Box
14	895-11006	4	WASHER, M6,
15	779-14625	4	SCREW, SELF TAPPING,
16	435437A1	11	STRAP, CABLE, 3/16" x 7 1/4", 175 - 200 mm



TJ530 TRACTOR (1/06-) - Steering System

05-01 STEERING WHEEL AND COLUMN

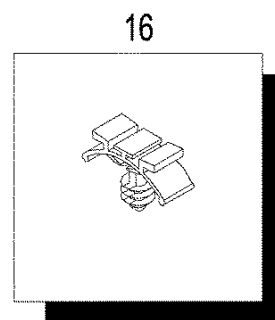
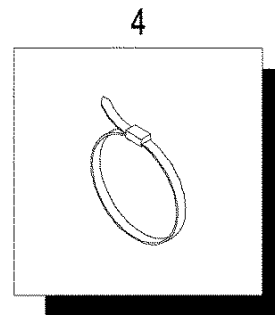
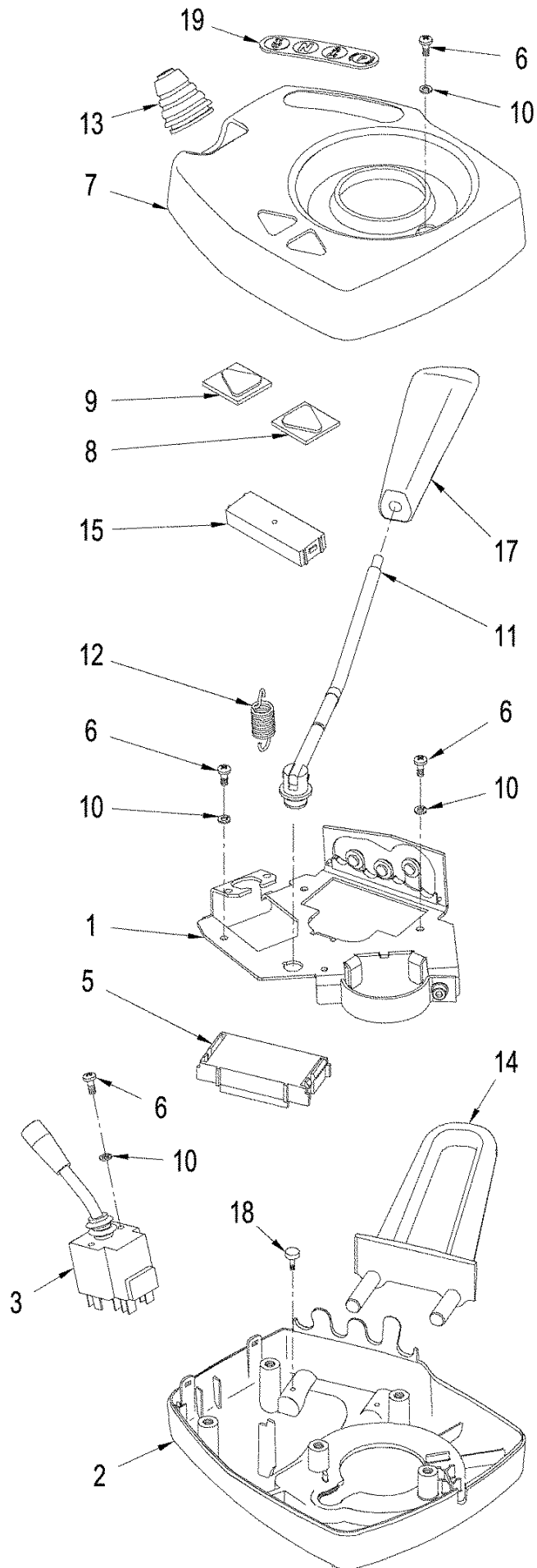
Ref	Part Number	Qty	Description
1	87387459	1	STEERING COLUMN, See Figure: 05-04
2	895-11010	9	WASHER, M10 x 20 x 2,
3	829-1410	7	NUT, M10, CI 10,
4	1977448C2	1	WASHER, Support
5	220056A1	4	SCREW, Hex Soc Flat Hd, M10 x 20, 8.8,
6	87448525	1	BRACKET, Mounting, Steering Column
7	87309685	1	BRACKET, Mounting, Column / Pump
8	614-10030	2	BOLT, Hex, M10 x 30, 8.8,
9	87448446	1	PEDAL, with Steering Adjustment
10	86639231	1	NUT, M8, CI 10,
11	86637961	1	BOLT, Hex, M8 x 30, 8.8, Full Thd,
12	86639111	1	PIN, CLEVIS, M8 x 45,
13	282892A1	2	BUSHING, Nylon
14	86639115	1	PIN, SPLIT (COTTER), M2 x 12,
15	311812A1	1	SPRING, Extension
16	323657A1	1	PAD, Foot Release Pedal
17	301200A1	1	WHEEL (STEERING), , Deluxe Cab
17	359033A1	1	WHEEL (STEERING), , Luxury Cab
18	86625266	1	WASHER, M17.5 x 30 x 4, HT,
19	86639148	1	NUT, M14 x 1.5, CI 8,
20	399142A1	1	CAP,
21	86993721	1	CONTROL, Transmission, with Self Cancel, See Figure: 05-03, Power Shift Transmission
22	414332A1	1	CONTROL, Transmission, with Self Cancel, See Figure: 05-02, Manual Shift Transmission
23	253679A1	1	RING, Magnetic
24	87426127	1	STEERING HYDRAULIC, Control Valve, See Figure: 05-12



TJ530 TRACTOR (1/06-) - Steering System

05-02 TRANSMISSION CONTROL ASSY - MANUAL SHIFT TRANSMISSION

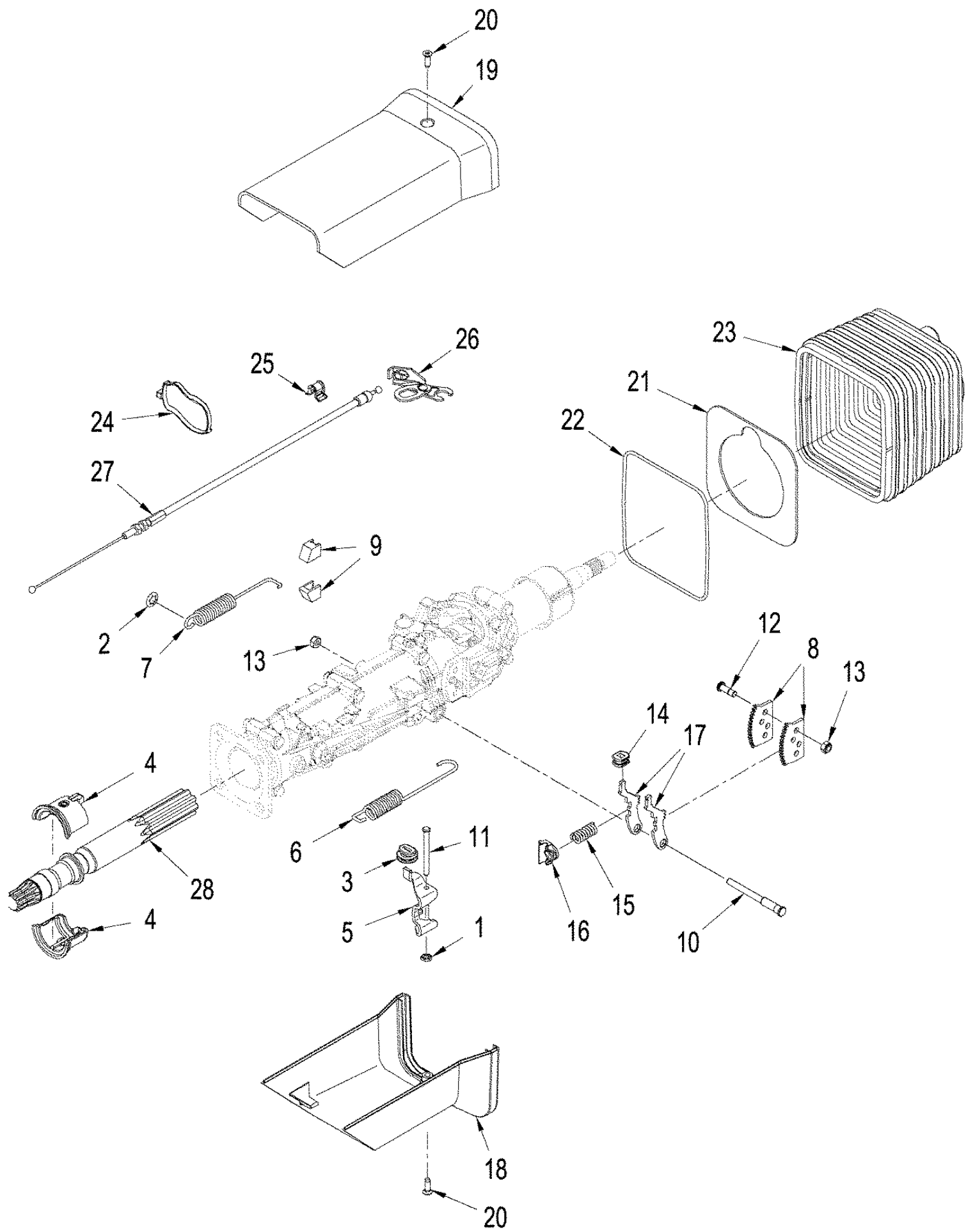
Ref	Part Number	Qty	Description
	414332A1	1	CONTROL, Transmission, Inc. 1 - 3, 5 - 10, 12 & 13, With Self Cancel
1	325362A1	1	CHASSIS, Transmission Control
2	NSS	1	NOT SERVICED SEPARATELY, Housing, Lower
3	284777A1	1	SWITCH, Turn Signal, With Self Cancel
4	325068A1	1	BELLOWS,
5	414330A1	1	DECAL, Transmission Control Symbols
6	86585706	7	SCREW, Cross Pan Hd, M4 x 10,
7	NSS	1	NOT SERVICED SEPARATELY, Housing, Upper
8	303466A1	1	SYMBOLS, Right-Hand Turn
9	303467A1	1	SYMBOLS, Left-Hand Turn
10	86639307	7	WASHER, Lock, M4
11	905974R1	2	SCREW, SELF TAPPING, Pan Hd, M2.9 x 13,
12	303465A2	1	LAMP, Flasher, With Self Cancel



TJ530 TRACTOR (1/06-) - Steering System

05-03 TRANSMISSION CONTROL ASSY - POWER SHIFT TRANSMISSION

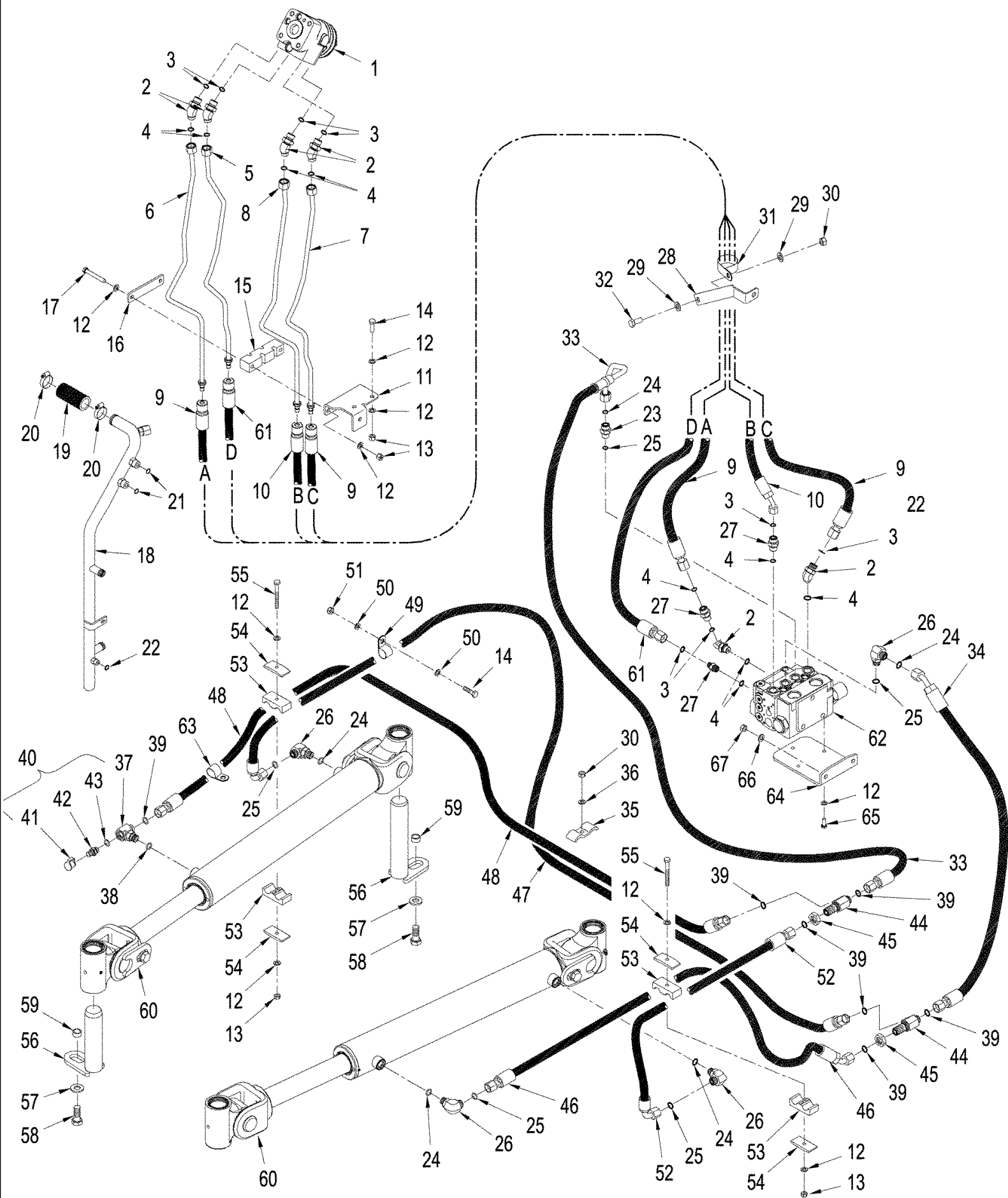
Ref	Part Number	Qty	Description
	86993721	1	CONTROL, Transmission, Inc. 1 - 3, 5 - 15, 17 - 19, With Self Cancel
1	325362A1	1	CHASSIS, Transmission Control
2	325065A1	1	HOUSING, Lower
3	284777A1	1	SWITCH, Turn Signal, With Self Cancel
4	435437A1	1	STRAP, CABLE, 3/16" x 7 1/4", 7"
5	447256A2	1	SWITCH, FNRP, Without Nuetral Start
6	86585706	7	SCREW, Cross Pan Hd, M4 x 10,
7	325064A1	1	HOUSING, Upper
8	303466A1	1	SYMBOLS, Right-Hand
9	303467A1	1	SYMBOLS, Left-Hand
10	86639307	7	WASHER, Lock, M4
11	325363A1	1	LEVER, FNRP
12	250939A1	1	SPRING,
13	325068A1	1	BELLOWS,
14	325066A2	1	GUARD,
15	303465A2	1	LAMP, Flasher
16	392699A1	1	FASTENER,
17	325533A1	1	HANDLE, FNRP
18	905974R1	2	SCREW, SELF TAPPING, Pan Hd, M2.9 x 13,
19	358353A1	1	SYMBOLS, FNRP



TJ530 TRACTOR (1/06-) - Steering System

05-04 STEERING COLUMN ASSEMBLY

Ref	Part Number	Qty	Description
	87387459	1	STEERING COLUMN, Steering, Inc. 1 - 27
	87377005	1	KIT, SERVICE, Renovation, Inc. 1 - 17
1	NSS	1	NOT SERVICED SEPARATELY, Washer, Lock
2	NSS	1	NOT SERVICED SEPARATELY, Washer, Lock
3	NSS	1	NOT SERVICED SEPARATELY, Bushing, Telescoping Spring
4	NSS	2	NOT SERVICED SEPARATELY, Bearing, Axial
5	NSS	1	NOT SERVICED SEPARATELY, Arm, Regulating
6	NSS	1	NOT SERVICED SEPARATELY, Spring, Tilt Return
7	NSS	1	NOT SERVICED SEPARATELY, Spring, Telescoping
8	NSS	2	NOT SERVICED SEPARATELY, Plate, Tilt Position
9	NSS	2	NOT SERVICED SEPARATELY, Stop, Tilt, 24"
10	NSS	1	NOT SERVICED SEPARATELY, Clevis, Pin
11	NSS	1	NOT SERVICED SEPARATELY, Screw, Hook
12	NSS	2	NOT SERVICED SEPARATELY, Screw, M6 x 18
13	NSS	3	NOT SERVICED SEPARATELY, Nut, Locking, M6
14	NSS	1	NOT SERVICED SEPARATELY, Bushing, Catch
15	NSS	1	NOT SERVICED SEPARATELY, Spring, Catch
16	NSS	1	NOT SERVICED SEPARATELY, Spring, Seat
17	NSS	2	NOT SERVICED SEPARATELY, Catch
	87377007	1	KIT, SERVICE, Cover, Inc. 18 - 20
18	NSS	1	NOT SERVICED SEPARATELY, Cover, Upper
19	NSS	1	NOT SERVICED SEPARATELY, Cover, Lower
20	NSS	2	NOT SERVICED SEPARATELY, Screw, M5 x 16
	87377012	1	KIT, SERVICE, Boot, Inc. 21 - 23
21	NSS	1	NOT SERVICED SEPARATELY, Plate, Support
22	NSS	1	NOT SERVICED SEPARATELY, Wire, Support
23	NSS	1	NOT SERVICED SEPARATELY, Boot
	87377013	1	KIT, SERVICE, Release Lever, Inc. 24 - 27
24	NSS	1	NOT SERVICED SEPARATELY, Tie, Cable
25	NSS	1	NOT SERVICED SEPARATELY, Retainer, Cable
26	NSS	1	NOT SERVICED SEPARATELY, Lever, Release
27	NSS	1	NOT SERVICED SEPARATELY, Cable



TJ530 TRACTOR (1/06-) - Steering System

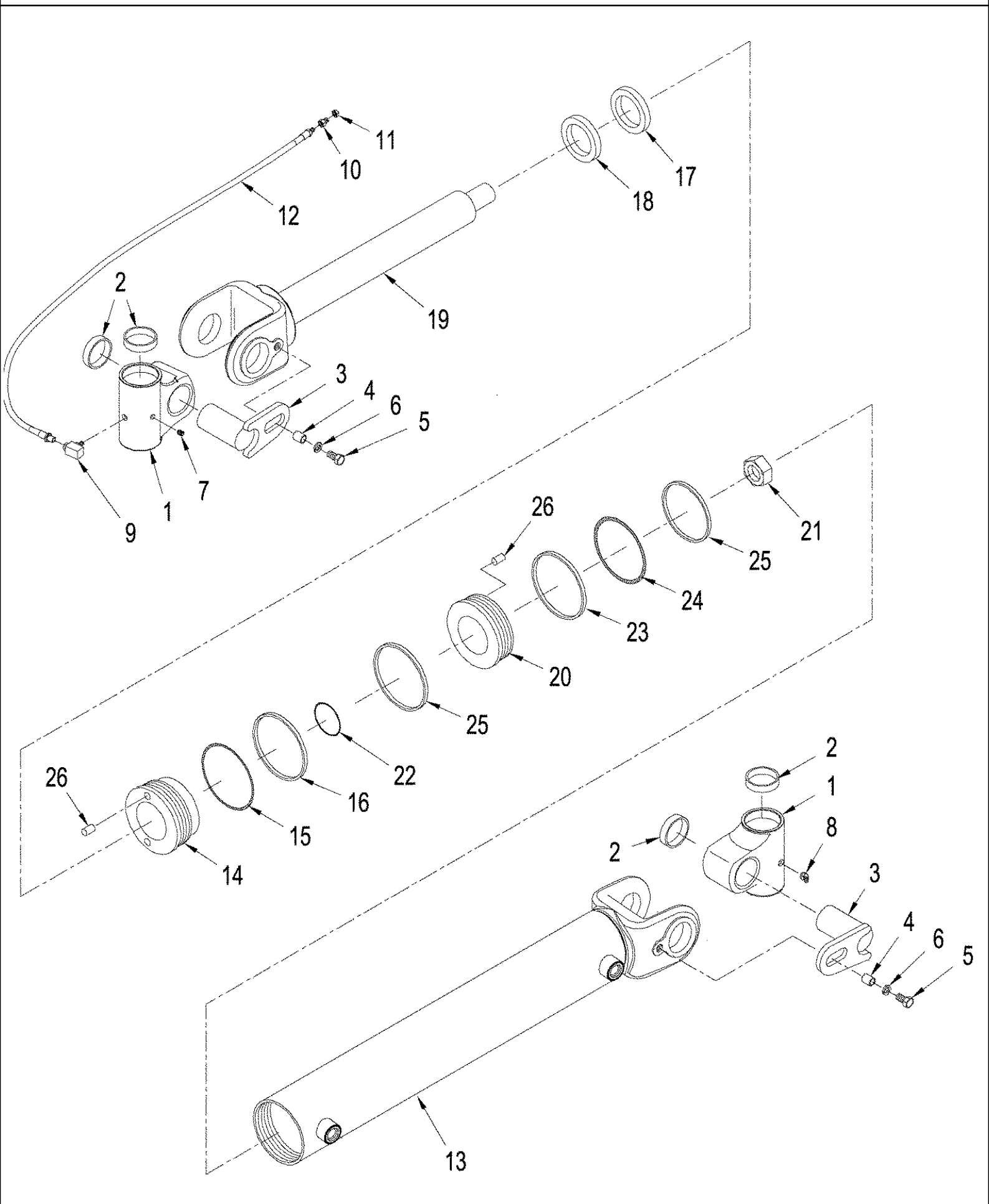
05-05 HYDRAULICS - STEERING

Ref	Part Number	Qty	Description
1	87426127	1	STEERING HYDRAULIC, Orbital, Steering Control, See Figure: 05-08
2	700-446	6	ELBOW, 45ε, 11/16"-18 ORFS x M18 x 1.5 ORB, 45, M18 or x 11/16 fc sl, Inc. 3 & 4
3	637-64236	6	O-RING, CI 6, 23.6MM ID x 2.9 Thk,
4	238-6012	6	O-RING, -012, 90 Duro, .364" ID x .070" Thk,
5	87312091	1	TUBE, Port 'P', Steering Orbital to Priority Valve
6	87312093	1	TUBE, Port 'T', Steering Orbital to Priority Valve
7	87312089	1	TUBE, Port 'L', Steering Orbital to Priority Valve
8	87312087	1	TUBE, Port 'R', Steering Orbital to Priority Valve
9	87312095	2	HOSE, 838 mm (33"), Steering Orbital to Priority Valve
10	87312096	1	HOSE, 785 mm (31"), Steering Orbital to Priority Valve
11	87347856	1	BRACKET, Tube Holder
12	86624184	24	WASHER, M8 x 16 x 1.6,
13	412250	14	NUT, LOCK, M8 x 1.25, CI 8,
14	43234	6	BOLT, Hex, M8 x 25, 10.9,
15	87403324	1	BRACKET, SUPPORTING, Tube Mounting
16	87436024	1	MOUNTING PARTS, Plate, Steering Control Tubes
17	86625005	2	BOLT, Hex, M8 x 60, 10.9,
18	87439775	1	TUBE ASSY., Return, to Hydraulic Tank
19	435413A1	1	HOSE, 38 mm (1-1/2"), to Hydraulic Tank
20	86624194	2	CLAMP, HOSE, #36, 1.81/2.75 Type F Worm,
21	9992069	2	O-RING, -016, 90 Duro, .614" ID x .070" Thk,
22	9992298	1	O-RING, -014, 90 Duro, .489" ID x .070" Thk,
23	86579676	1	CONNECTOR, HYD., 13/16"-16 ORFS x M18 x 1.5 ORB, Inc. 24 & 25
24	86639043	1	O-RING, 90 Duro, 15.3 ID x 2.2 thk
25	9992298	1	O-RING, -014, 90 Duro, .489" ID x .070" Thk,
26	86579691	4	ELBOW, 90ε, 13/16"-18 ORFS x M18 x 1.5 ORB, Inc. 24 & 25
27	86579673	2	CONNECTOR, HYD., 11/16"-16 ORFS x M18 x 1.5 ORB, Inc. 3 & 4
28	87304378	1	BRACKET, Mounting, Steering Control Hoses
29	86625255	3	WASHER, M13.5 x 24.5 x 3, HT,
30	337475	3	NUT, M12, CI 10,
31	515-25508	1	CLAMP, 2", Insul, 1/2" Bolt,
32	398792	1	BOLT, Hex, M12 x 25, 10.9,
33	87304379	1	HOSE ASSY.,
34	87439175	1	HOSE ASSY., 1257 mm (49-1/2")
35	242563A1	1	CLAMP,
36	412123	1	WASHER, LOCK, M12,
37	364967A1	1	TEE, M18 or x 12 fc sl, Inc. 38 & 39
38	86639043	1	O-RING, 90 Duro, 15.3 ID x 2.2 thk
39	9992298	1	O-RING, -014, 90 Duro, .489" ID x .070" Thk,
40	178889A1	1	FITTING, Diagnostic, Inc. 41 - 43
41	86502604	1	DUST CAP,
42	NSS	1	NOT SERVICED SEPARATELY, Fitting
43	86639042	1	O-RING, CI 6, 11.3MM ID x 2.2 Thk,
44	86639080	2	TEE, 13/16"-16 ORFS, Blkd Run, Inc. 39
45	86639083	2	NUT, LOCK, 13/16"-16, ORFS Blkhhd,

TJ530 TRACTOR (1/06-) - Steering System

05-05 HYDRAULICS - STEERING

Ref	Part Number	Qty	Description
46	87439172	1	HOSE ASSY., 991 mm (39"), Articulation Cylinder to Priority Valve
47	87312871	1	HOSE, 1170 mm (46"), Articulation Cylinder to Priority Valve
48	367243A1	1	HOSE ASSY., 1605 mm (63"), Articulation Cylinder to Priority Valve
49	86637996	1	CLAMP, 1 1/8", Insul, 3/8" Bolt,
50	86625263	2	WASHER, M8 x 20 x 1.6,
51	43362	2	NUT, M8, CI 10,
52	367244A1	1	HOSE, 550 mm (21-1/2"), Articulation Cylinder to Priority Valve
53	435470A1	4	CLAMP,
54	435468A1	4	PLATE, Cover
55	86556137	2	BOLT, Hex, M8 x 70, 10.9,
56	435506A1	2	PIN,
57	86624189	4	WASHER, 21/32" x 1 5/16" x .150",
58	374835	4	BOLT, Hex, M16 x 40, 10.9,
59	435501A1	4	SPACER,
60	406999A1	2	CYLINDER STEERING,
61	87312097	1	HOSE, 892 mm (35"), Steering Orbital to Priority Valve
62	87442925	1	VALVE, CONTROL, Priority / EHPS, See Figure: 08-12, BSN Z7F202170
62	87585897	1	VALVE, HYDRAULIC, Priority / EHPS, See Figure: 08-12, ASN Z7F202170
63	515-23206	6	CLAMP, 13/16", Insul, 3/8" Bolt,
64	87438129	1	BRACKET, SUPPORTING, Priority Valve, BSN Z7F202275
64	87550230	1	BRACKET, Priority Valve, ASN Z7f202275
65	627-8020	3	BOLT, Hex, M8 x 20, 10.9, , Used on Power Shift Models
65	627-8016	3	BOLT, Hex, M8 x 16, 10.9, , Used with Manual Shift Models
66	895-11010	2	WASHER, M10 x 20 x 2,
67	829-1410	2	NUT, M10, CI 10,

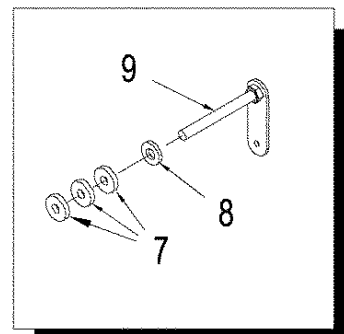
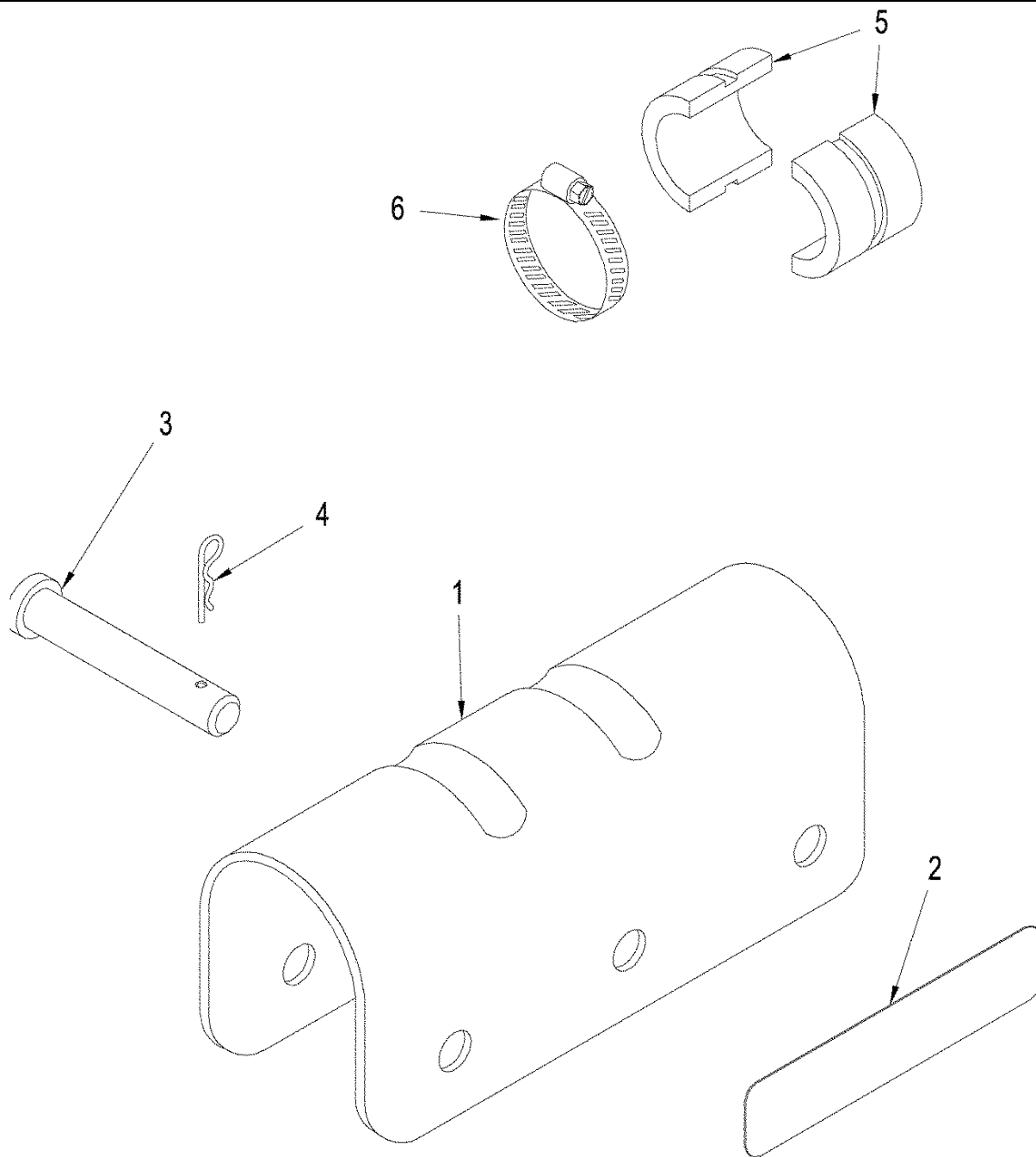


TJ530 TRACTOR (1/06-) - Steering System

05-06 CYLINDER ASSY - ARTICULATION

Ref	Part Number	Qty	Description
1	409685A1	2	JOINT,
2	D95143	8	SEAL,
3	435504A1	2	PIN,
4	435501A1	2	SPACER,
5	86529976	2	BOLT, Hex, M16 x 35, 10.9,
6	86625266	2	WASHER, M17.5 x 30 x 4, HT,
7	86637724	2	PLUG, Hex Soc, 1/8"-27 NPTF, Hex Socket, 1/8 PT
8	80717	1	NIPPLE, LUBE, 45c, 1/8" NPT x 7/8" lg,
9	84015293	1	ELBOW, 90c, 1/8"-27 Female x 1/8"-27 Male, 90, 1/8 PT x fem PT
10	F53473	1	NUT,
11	86636814	1	NIPPLE, LUBE, 1/4"-28 x .52" lg, 1/4 x 1/2 special, Grease
12	1339090C1	1	HOSE, 838 mm (33 in)
	406999A1	1	CYLINDER STEERING, Inc. 13 - 26
13	NSS	1	NOT SERVICED SEPARATELY, Barrel
14	387652A1	1	CAP CYLINDER END,
15	NSS	1	NOT SERVICED SEPARATELY, Ring
16	NSS	1	NOT SERVICED SEPARATELY, O-Ring
17	NSS	1	NOT SERVICED SEPARATELY, Seal
18	NSS	1	NOT SERVICED SEPARATELY, Wiper
19	387650A1	1	ROD, PISTON,
20	387648A1	1	PISTON,
21	86016798	1	NUT, LOCK, 1 1/4"-12, GC,
22	NSS	1	NOT SERVICED SEPARATELY, O-Ring
23	NSS	1	NOT SERVICED SEPARATELY, Ring, Piston
24	NSS	1	NOT SERVICED SEPARATELY, Seal, Piston
25	NSS	2	NOT SERVICED SEPARATELY, Ring, Wear
26	NSS	1	NOT SERVICED SEPARATELY, Screw
	387654A1	1	PACKAGE, SEALS, Inc. 15 - 18, 22 - 26

05-07 LOCK ARTICULATION

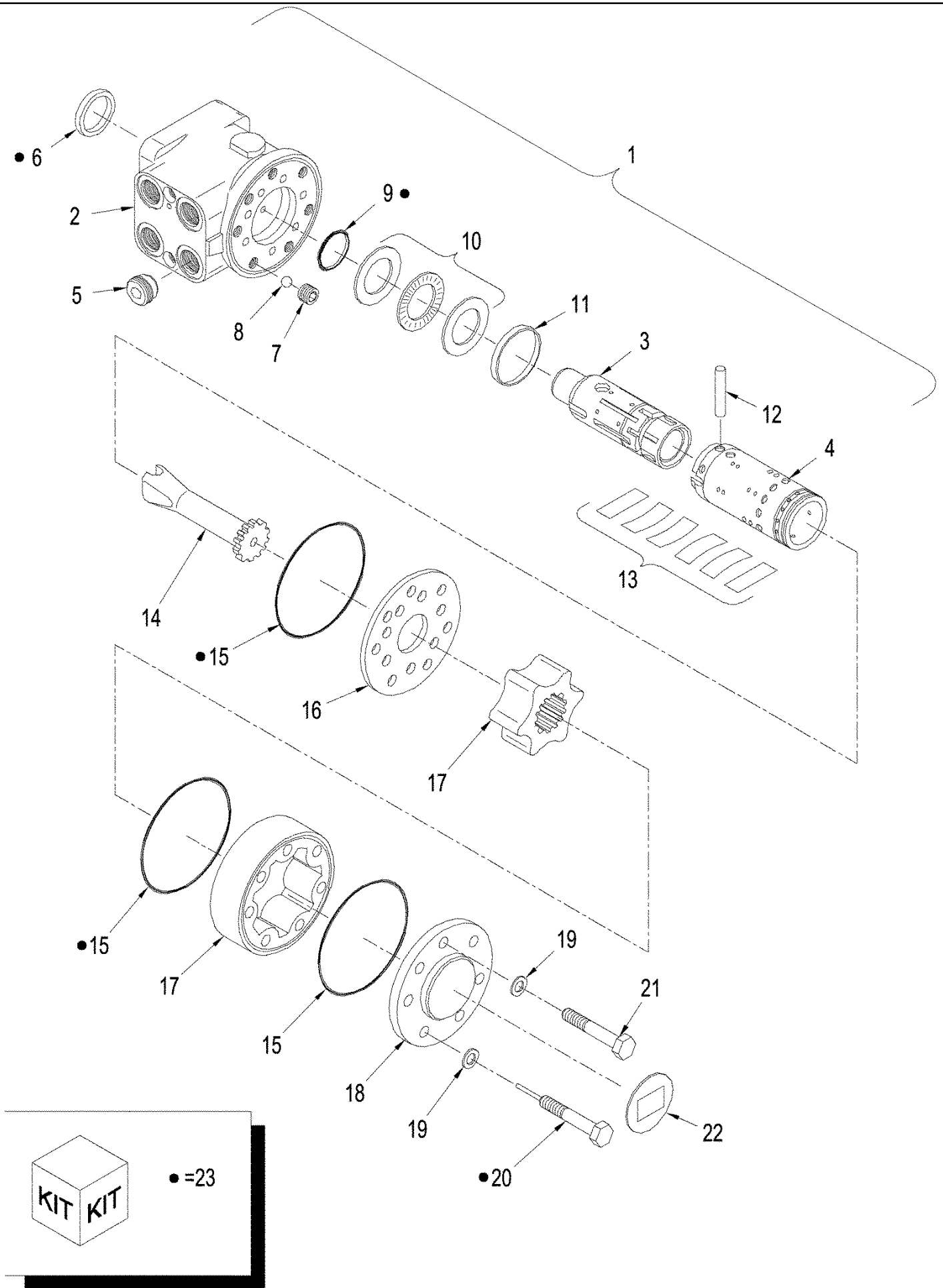


TJ530 TRACTOR (1/06-) - Steering System

05-07 LOCK ARTICULATION

Ref	Part Number	Qty	Description
1	345096A2	1	LOCK, Articulation, 214mm (8 in), With Stops
1	403817A2	1	LOCK, Articulation, Without Stops
1	344882A2	1	LOCKING-DEVICE, Articulation, Scraper Model
2	440518A1	1	DECAL,
3	86637938	1	PIN, CLEVIS, 1/2" x 3 1/4", Clevis
4	435425A1	1	PIN, 1/8"
5	370865A1	4	STOP, Articulation
6	86625034	2	CLAMP, HOSE, #64, 3.56/4.50 Type F Worm,
7	321232A1	2	BUSHING,
8	896-15012	1	WASHER, M12 x 28.5 x 4, HT,
9	406390A1	1	HANDLE, Mounting, Articulation Lock

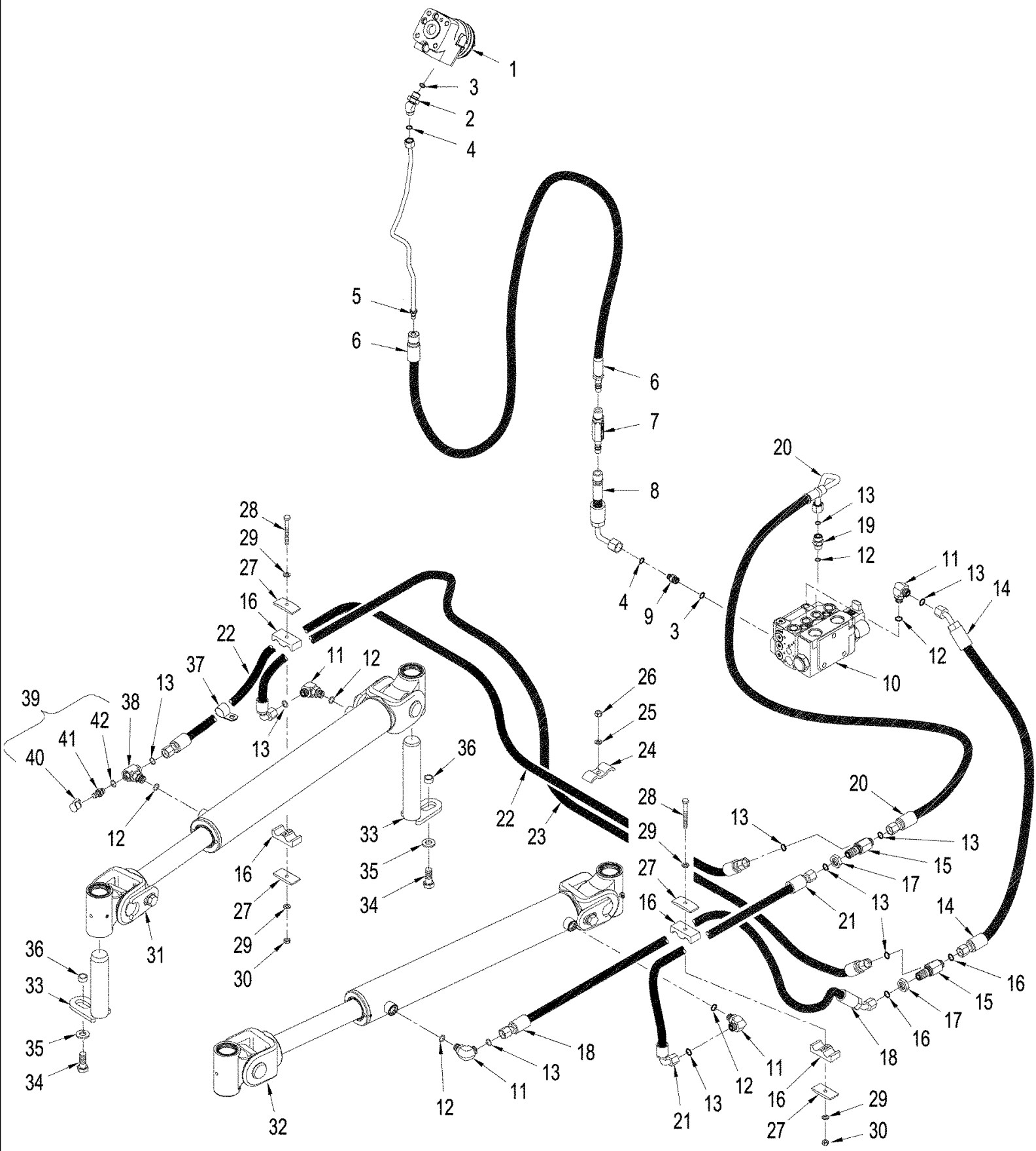
05-08 STEERING CONTROL VALVE



TJ530 TRACTOR (1/06-) - Steering System

05-08 STEERING CONTROL VALVE

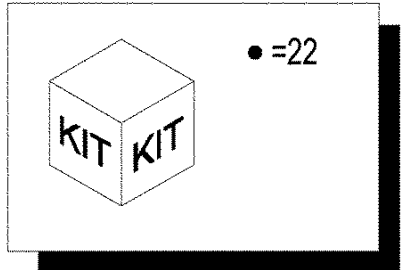
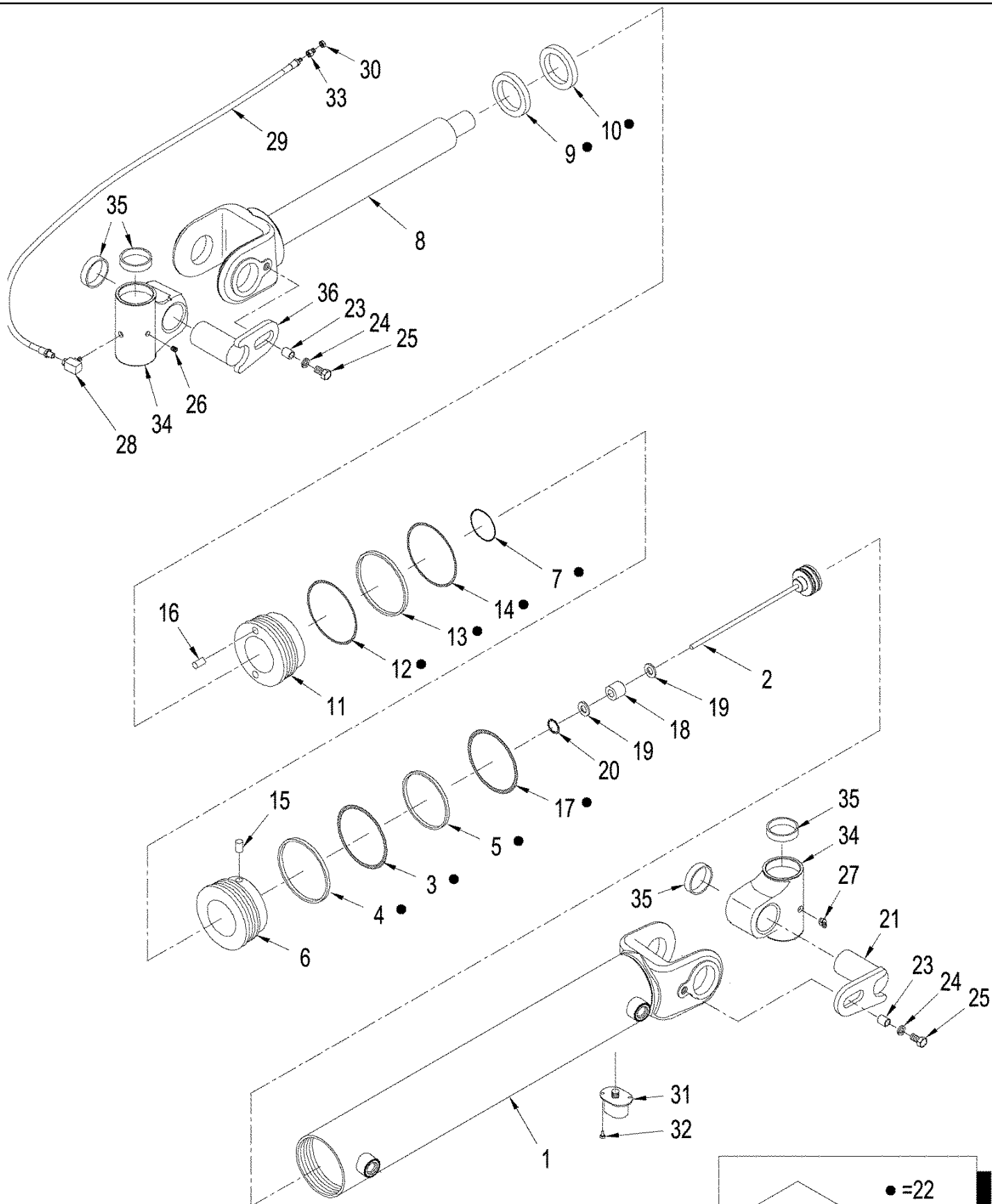
Ref	Part Number	Qty	Description
1	87426127	1	STEERING HYDRAULIC, Steering Control Orbital, Inc. 2 - 22
2	NSS	1	NOT SERVICED SEPARATELY, Housing
3	NSS	1	NOT SERVICED SEPARATELY, Spool
4	NSS	1	NOT SERVICED SEPARATELY, Sleeve
5	NSS	1	NOT SERVICED SEPARATELY, Valve, Check
6	NSS	1	NOT SERVICED SEPARATELY, Seal, Dust Ring
7	NSS	1	NOT SERVICED SEPARATELY, Bushing
8	NSS	1	NOT SERVICED SEPARATELY, Ball
9	NSS	1	NOT SERVICED SEPARATELY, O-Ring
10	NSS	1	NOT SERVICED SEPARATELY, Bearing Assy.
11	NSS	1	NOT SERVICED SEPARATELY, Ring
12	NSS	1	NOT SERVICED SEPARATELY, Pin, Cross
13	NSS	6	NOT SERVICED SEPARATELY, Springs
14	NSS	1	NOT SERVICED SEPARATELY, Shaft, Cardan
15	NSS	3	NOT SERVICED SEPARATELY, O-Ring
16	NSS	1	NOT SERVICED SEPARATELY, Plate, Distributor
17	NSS	1	NOT SERVICED SEPARATELY, Gear Wheel, Set
18	NSS	1	NOT SERVICED SEPARATELY, Cover, End
19	NSS	7	NOT SERVICED SEPARATELY, Washer
20	NSS	1	NOT SERVICED SEPARATELY, Screw, with Pin
21	NSS	6	NOT SERVICED SEPARATELY, Screw
22	NSS	1	NOT SERVICED SEPARATELY, Plate, Name
23	87345879	1	KIT, Steering Valve Seal, Inc. 6, 9, 15, & 19



TJ530 TRACTOR (1/06-) - Steering System

05-09 INTELLISTEER - HYDRAULIC, STEERING

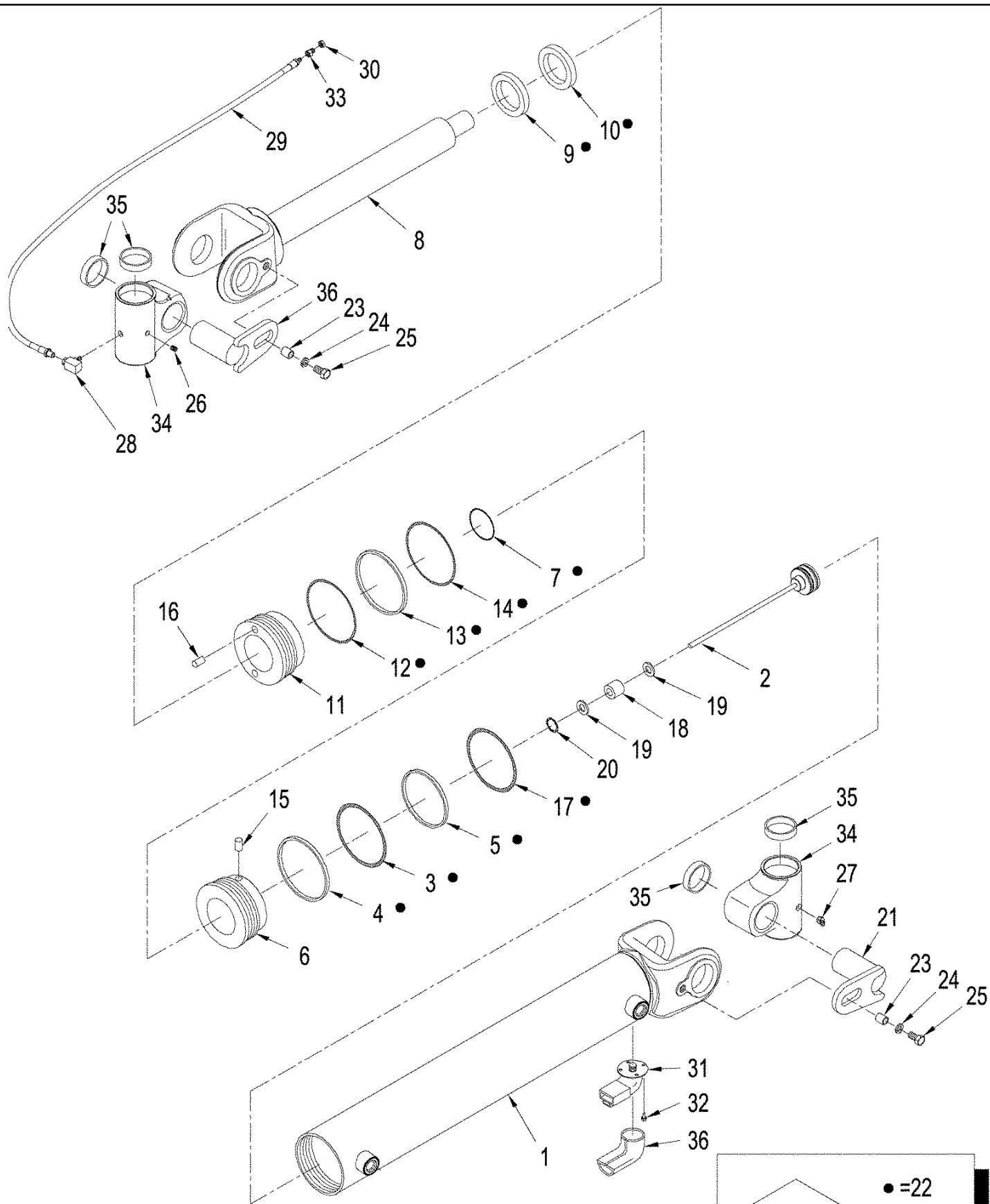
Ref	Part Number	Qty	Description
1	87426127	1	STEERING HYDRAULIC, Orbital Control, See Figure: 05-08
2	700-446	1	ELBOW, 45e, 11/16"-18 ORFS x M18 x 1.5 ORB, Inc. 3 & 4
3	637-64236	6	O-RING, CI 6, 23.6MM ID x 2.9 Thk,
4	238-6012	6	O-RING, -012, 90 Duro, .364" ID x .070" Thk,
5	87312091	1	TUBE, Port 'P', Steering Control to Priority Valve
6	87347199	1	HOSE, Steering Control to Priority Valve
7	87452749	1	SWITCH, PRESSURE, In-Line Flow
8	87347197	1	HOSE, 160 mm (6-1/4"), Adapter
9	700-106	1	CONNECTOR, HYD., 11/16"-16 ORFS x M18 x 1.5 ORB, Inc. 3 & 4
10	87436468	1	VALVE, CONTROL, EHPS / Priority, See Figure: 08-12, BSN Z7F202186
10	87585898	1	VALVE, HYDRAULIC, EHPS / Priority, See Figure: 08-12, ASN Z7F202186
11	700-305	4	ELBOW, 90e, 13/16"-18 ORFS x M18 x 1.5 ORB, Inc. 12 & 13
12	637-63153	1	O-RING, CI 6, 15.3MM ID x 2.2 Thk,
13	238-6014	1	O-RING, -014, 90 Duro, .489" ID x .070" Thk,
14	87439175	1	HOSE ASSY., 1257 mm (49-1/2"), Priority Valve to Articulation Cylinder
15	701-423	2	TEE, 13/16"-16 ORFS, Blkd Run, Inc. 13
16	50-2551T1	4	CLAMP,
17	701-903	2	NUT, LOCK, 13/16"-16, ORFS Blkhd,
18	87439172	1	HOSE ASSY., 991 mm (39"), Priority Valve to Articulation Cylinder
19	700-102	1	CONNECTOR, HYD., 13/16"-16 ORFS x M18 x 1.5 ORB, Inc. 12 & 13
20	87304379	1	HOSE ASSY., 1308 mm (51-1/2"), Priority Valve to Articulation Cylinder
21	367244A1	1	HOSE, 550 mm (21-1/2"), Priority Valve to Articulation Cylinder
22	367243A1	1	HOSE ASSY., 1605 mm (63"), Priority Valve to Articulation Cylinder
23	87312871	1	HOSE, 1170 mm (45"), Priority Valve to Articulation Cylinder
24	242563A1	1	CLAMP,
25	892-11012	1	WASHER, LOCK, M12,
26	829-1412	3	NUT, M12, CI 10,
27	435468A1	4	PLATE, Cover
28	86556137	2	BOLT, Hex, M8 x 70, 10.9,
29	895-11008	4	WASHER, M8 x 16 x 1.6,
30	832-10408	2	NUT, LOCK, M8 x 1.25, CI 8,
31	87529571	1	CYLINDER STEERING, Articulation, with Sensor, See Figure: 05-10, BSN Z7F202169
31	87552147	1	CYLINDER STEERING, Articulation, with Sensor, See Figure: 05-10 (01), ASN Z7F202169
32	406999A1	1	CYLINDER STEERING, Articulation, without Sensor, See Figure: 05-06
33	435506A1	2	PIN, 9-1/2"
34	627-16040	4	BOLT, Hex, M16 x 40, 10.9,
35	496-21066	4	WASHER, 21/32" x 1 5/16" x .150",
36	435501A1	4	SPACER,
37	515-23206	1	CLAMP, 13/16", Insul, 3/8" Bolt,
38	364967A1	1	TEE, M18 or x 12 fc sl, Inc. 12 & 13
39	178889A1	1	FITTING, Diagnostic Assy., Inc. 40 - 42
40	86502604	1	DUST CAP, Dust
41	NSS	1	NOT SERVICED SEPARATELY, Fitting, Diagnostic
42	637-63113	1	O-RING, CI 6, 11.3MM ID x 2.2 Thk,



TJ530 TRACTOR (1/06-) - Steering System

05-10 INTELLISTEER - CYLINDER ASSY., ARTICULATION, WITH SENSOR, BSN Z7F202169

Ref	Part Number	Qty	Description
	87529571	1	CYLINDER STEERING, Inc. 1 - 20
1	87397776	1	CASE, Barrel
2	87328593	1	CYLINDER, Rod Sensor, Rear Articulation
3	NSS	1	NOT SERVICED SEPARATELY, O-Ring
4	NSS	1	NOT SERVICED SEPARATELY, SEAL, Piston
5	NSS	1	NOT SERVICED SEPARATELY, RING, Wear
6	87397773	1	PISTON,
7	NSS	1	NOT SERVICED SEPARATELY, O-Ring
8	87397775	1	SHAFT, Rod
9	NSS	1	NOT SERVICED SEPARATELY, WIPER
10	NSS	1	NOT SERVICED SEPARATELY, SEAL, U-Cup
11	87397774	1	HEAD,
12	NSS	1	NOT SERVICED SEPARATELY, O-Ring
13	NSS	1	NOT SERVICED SEPARATELY, RING, Backup
14	NSS	1	NOT SERVICED SEPARATELY, O-Ring
15	NSS	1	NOT SERVICED SEPARATELY, Set Screw
16	NSS	1	NOT SERVICED SEPARATELY, SCREW, Set, 1/4" x 3/8"
17	NSS	1	NOT SERVICED SEPARATELY, O-Ring
18	87397843	1	MAGNET,
19	87397844	2	SPACER,
20	87532453	1	RING, SNAP, Retaining
21	435504A1	2	PIN,
22	87397777	1	KIT, SEALS, Inc. 3 - 5, 7, 9, 10, 12 - 14, 17
23	435501A1	2	SPACER,
24	86625266	2	WASHER, M17.5 x 30 x 4, HT,
25	86529976	2	BOLT, Hex, M16 x 35, 10.9,
26	217-429	2	PLUG, Hex Soc, 1/8"-27 NPTF, Socket Hd, 1/8"
27	80717	1	NIPPLE, LUBE, 45c, 1/8" NPT x 7/8" lg,
28	84015293	1	ELBOW, 90c, 1/8"-27 Female x 1/8"-27 Male, 90, 1/8" NPTF Male x Female
29	1339090C1	1	HOSE,
30	F53473	1	NUT,
31	87364410	1	CONNECTOR, ELEC, Socket, 4 Pin
32	87022296	4	SCREW, Cross Pan Hd, M3 x 8,
33	86636814	1	NIPPLE, LUBE, 1/4"-28 x .52" lg,
34	409685A1	2	JOINT,
35	D95143	8	SEAL, Wiper, Rod



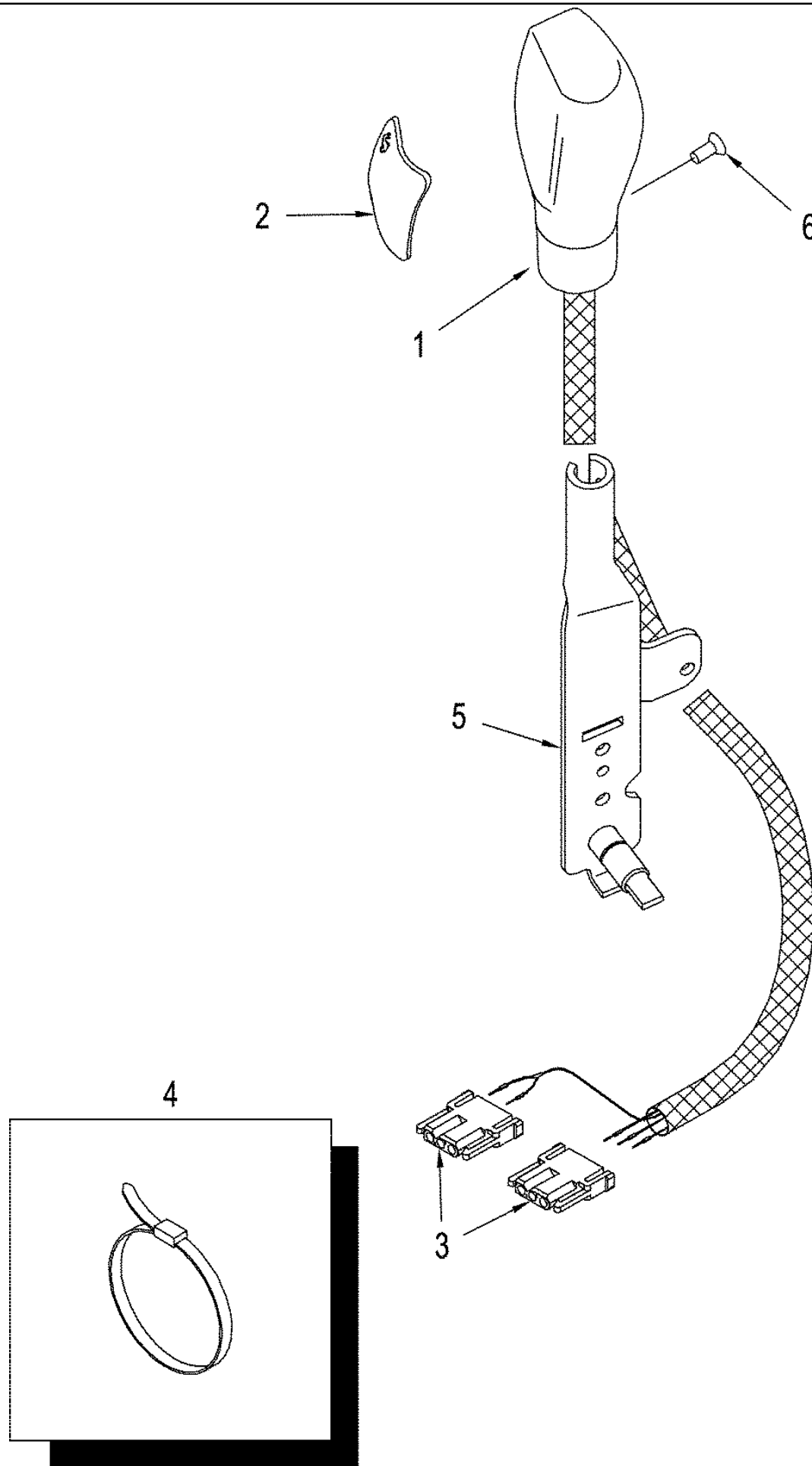
• = 22

A logo consisting of a 3D cube with the word "KIT" written on two of its visible faces.

TJ530 TRACTOR (1/06-) - Steering System

05-10(01) INTELLISTEER - CYLINDER ASSY., ARTICULATION, WITH SENSOR, ASN Z7F202169

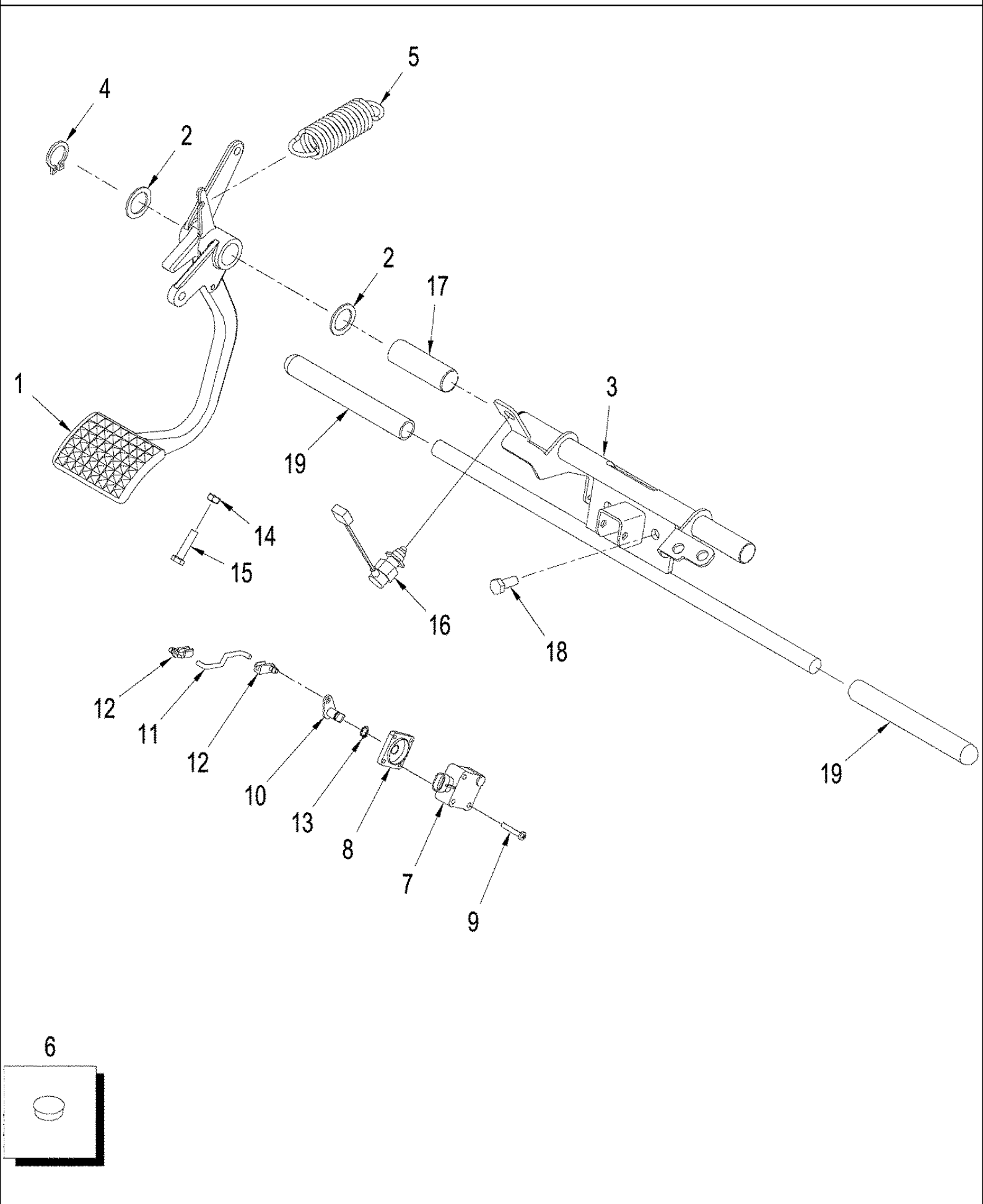
Ref	Part Number	Qty	Description
	87552147	1	CYLINDER STEERING, Articulation, with Sensor, Inc. 1 - 20
1	87397776	1	CASE, Barrel
2	87552145	1	SENSOR, Rod Sensor, Rear Articulation
3	NSS	1	NOT SERVICED SEPARATELY, O-Ring
4	NSS	1	NOT SERVICED SEPARATELY, SEAL, Piston
5	NSS	1	NOT SERVICED SEPARATELY, RING, Wear
6	87397773	1	PISTON,
7	NSS	1	NOT SERVICED SEPARATELY, O-Ring
8	87397775	1	SHAFT, Rod
9	NSS	1	NOT SERVICED SEPARATELY, WIPER
10	NSS	1	NOT SERVICED SEPARATELY, SEAL, U-Cup
11	87397774	1	HEAD,
12	NSS	1	NOT SERVICED SEPARATELY, O-Ring
13	NSS	1	NOT SERVICED SEPARATELY, RING, Backup
14	NSS	1	NOT SERVICED SEPARATELY, O-Ring
15	NSS	1	NOT SERVICED SEPARATELY, Set Screw
16	NSS	1	NOT SERVICED SEPARATELY, SCREW, Set, 1/4" x 3/8"
17	NSS	1	NOT SERVICED SEPARATELY, O-Ring
18	87397843	1	MAGNET,
19	87397844	2	SPACER,
20	87532453	1	RING, SNAP, Retaining
21	70-6013T2	2	PIN,
22	87397777	1	KIT, SEALS, Inc. 3 - 5, 7, 9, 10, 12 - 14, 17
23	435501A1	2	SPACER,
24	86625266	2	WASHER, M17.5 x 30 x 4, HT,
25	86529976	2	BOLT, Hex, M16 x 35, 10.9,
26	217-429	2	PLUG, Hex Soc, 1/8"-27 NPTF,
27	80717	1	NIPPLE, LUBE, 45c, 1/8" NPT x 7/8" lg,
28	84015293	1	ELBOW, 90c, 1/8"-27 Female x 1/8"-27 Male,
29	1339090C1	1	HOSE, Grease
30	F53473	1	NUT,
31	276426A1	1	CONNECTOR, ELEC, Socket, 4 Pin
32	87022296	4	SCREW, Cross Pan Hd, M3 x 8,
33	219-20	1	NIPPLE, LUBE, 1/4"-28 x .52" lg,
34	409685A1	2	JOINT,
35	D95143	8	SEAL, Wiper, Rod
36	87552166	1	SEAL, Connector, Rubber Boot



06-01 TRANSMISSION AND THROTTLE CONTROL

Ref	Part Number	Qty	Description
	413804A2	1	HANDLE, Throttle, with skip-shift button, Inc. 1 - 3, With Power Shift Transmission
	431530A1	1	HANDLE, Throttle, Inc. 1 - 3, With Manual Shift Transmission without ARU
	413805A1	1	HANDLE, Throttle, Inc. 1 - 3, With Manual Shift Transmission with ARU
1	NSS	1	NOT SERVICED SEPARATELY, Handle
2	414628A1	1	DECAL,
3	235676A1	2	CONNECTOR, , With Manual Shift Transmission with ARU, With Power Shift Transmission
3	276424A1	1	CONNECTOR, WIRE, , With Manual Shift Transmission without ARU
4	435437A1	2	STRAP, CABLE, 3/16" x 7 1/4", 7"
5	414193A2	1	BRACKET, Support, Throttle / Transmission Shifter, With Power Shift Transmission, With Manual Shift Transmission with ARU
5	410029A2	1	BRACKET, Support, Throttle / Transmission Shifter, With Manual Shift Transmission without ARU
6	86642447	1	SCREW, Socket, M5 x 12

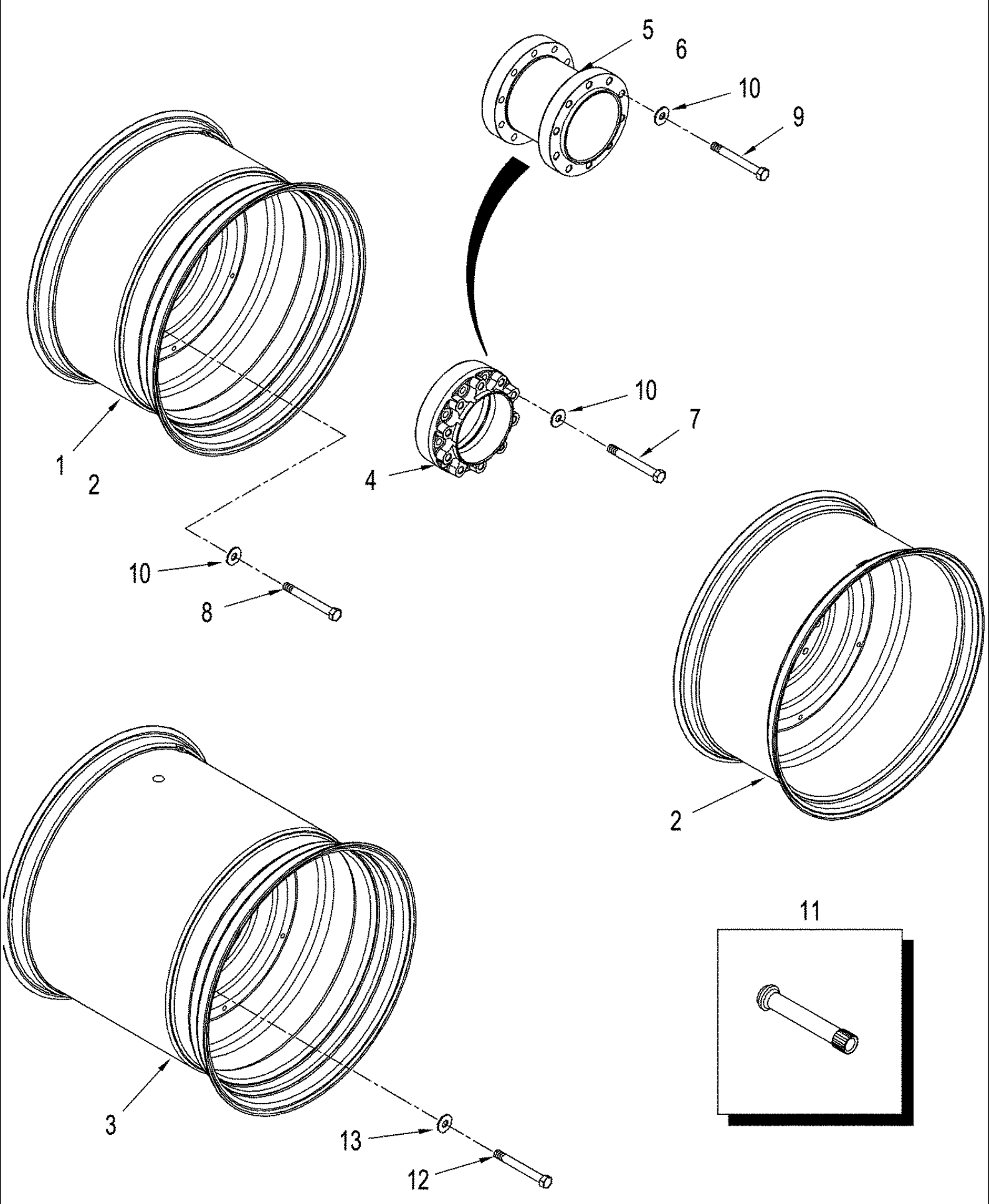
06-05 CLUTCH PEDAL, POWER SHIFT TRANSMISSION



TJ530 TRACTOR (1/06-) - Power Train

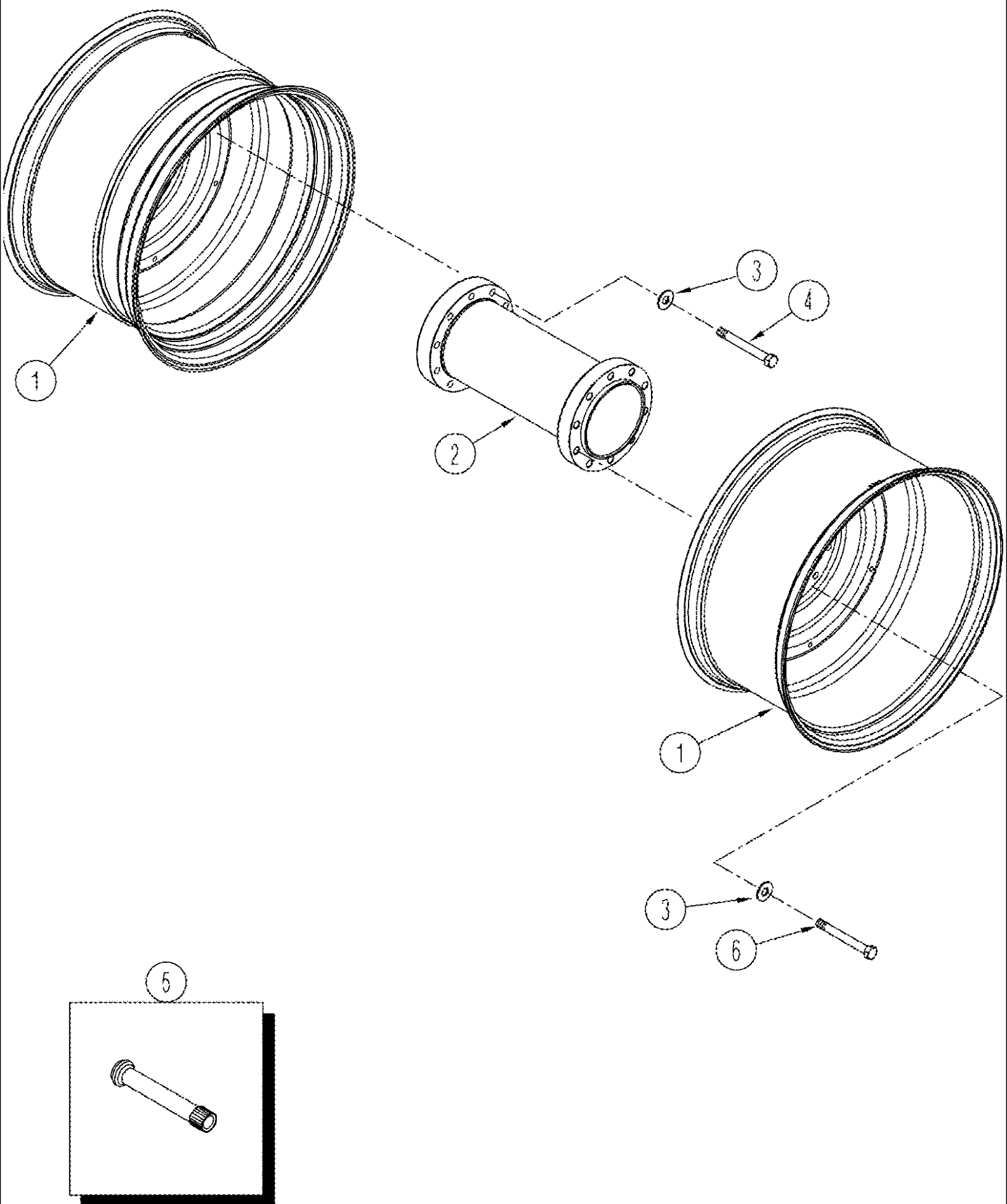
06-05 CLUTCH PEDAL, POWER SHIFT TRANSMISSION

Ref	Part Number	Qty	Description
1	222462A2	1	PEDAL, Clutch
2	281093A1	2	WASHER,
3	87448885	1	SUPPORT, Tube, Clutch / Brake Pedal
4	370002	1	RING, SNAP, M25, Ext,
5	278210A1	1	SPRING,
6	86625130	1	PLUG, Dome, 1.250" hole, Nylon, Clutch Cable Clearance Hole
7	283659A1	1	SENSOR, Clutch Position
8	305155A2	1	BUSHING,
9	86502967	2	SCREW, Cross Pan Hd, M5 x 30,
10	322409A1	1	PIN,
11	222463A2	1	LINK,
12	435473A1	2	RETAINER, Clip
13	3991509	1	RING, SNAP, M10, Ext, Retaining
14	43362	1	NUT, M8, CI 10,
15	86639039	1	BOLT, Hex, M8 x 35, 8.8, Full Thd
16	355341A1	1	SWITCH, Plunger
17	281893A1	1	BEARING, Pivot
18	43139	2	SCREW,
19	321961A1	2	MOLDING,



06-06 WHEELS SINGLE AND DUALS WITH SPACERS

Ref	Part Number	Qty	Description
1	402881A1	4	RIM, DW27TB x 32, Single, For Tires: 30.5L-32
2	395702A1	AR	RIM, MW23Ax42, Single or Dual, For Tires: 710/70R42
2	395694A1	AR	RIM, MW23Ax38, Single or Dual, For Tires: 710/70R38, 750/65-38, 710/70R38, 710/65-38
2	395705A1	AR	RIM, W16A x 46, Single or Dual, For Tires: 480/80R46, 520/85R46, 18.4R46
2	395693A1	AR	RIM, WH18A x 38, Single or Dual, For Tires: 520/85R38, 20.8R38
2	395698A1	AR	RIM, WH18A x 42, Single or Dual, For Tires: 520/85R42, 20.8R42
2	395700A1	AR	RIM, MW20A x 42, Single or Dual, For Tires: 620/70R42
2	402882A1	AR	RIM, MW28A x 42, Single or Dual, For Tires: 900/50R42, 850/55-42
2	409213A1	AR	RIM, MW25 x 38, Single or Dual, For Tires: 800/70R38
2	395697A1	AR	RIM, W16A x 42, Single or Dual, For Tires: 480/80R42, 18.4R42
2	402880A1	AR	RIM, W12 x 54, Single or Dual, For Tires: 380/90R54
2	395704A1	AR	RIM, W13 x 46, Single or Dual, For Tires: 420/80R46, 14.9R46
2	87451221	AR	WHEEL, 46 x FDW20A, Single or Dual, For Tires: 620/70R46
3	87312788	4	WHEEL, 32 x DWM44, Scraper Model, For Tires: 76 x 50-32, Used with Single Wheel Dual Hub Application
4	405822A1	1	SPACER, 127 mm (5 in)
5	405823A1	1	SPACER, 254 mm (10 in)
6	405824A1	1	SPACER, 330 mm (13 in)
7	86639173	10	BOLT, Hex, M22 x 150, 10.9, M22x160
8	827-22080	10	BOLT, Hex, M22 x 80, 10.9, Full Thd,
9	86639171	10	BOLT, Hex, M22 x 130, 10.9,
10	86639318	10	WASHER, 24 x 44 x 4 mm
11	A20058	AR	VALVE STEM,
12	412398	64	BOLT, Hex, M16 x 50, 10.9, , Used with Single Wheel Dual Hub Application, Scraper Model
13	86625266	64	WASHER, M17.5 x 30 x 4, HT, , Scraper Model, Used with Single Wheel Dual Hub Application

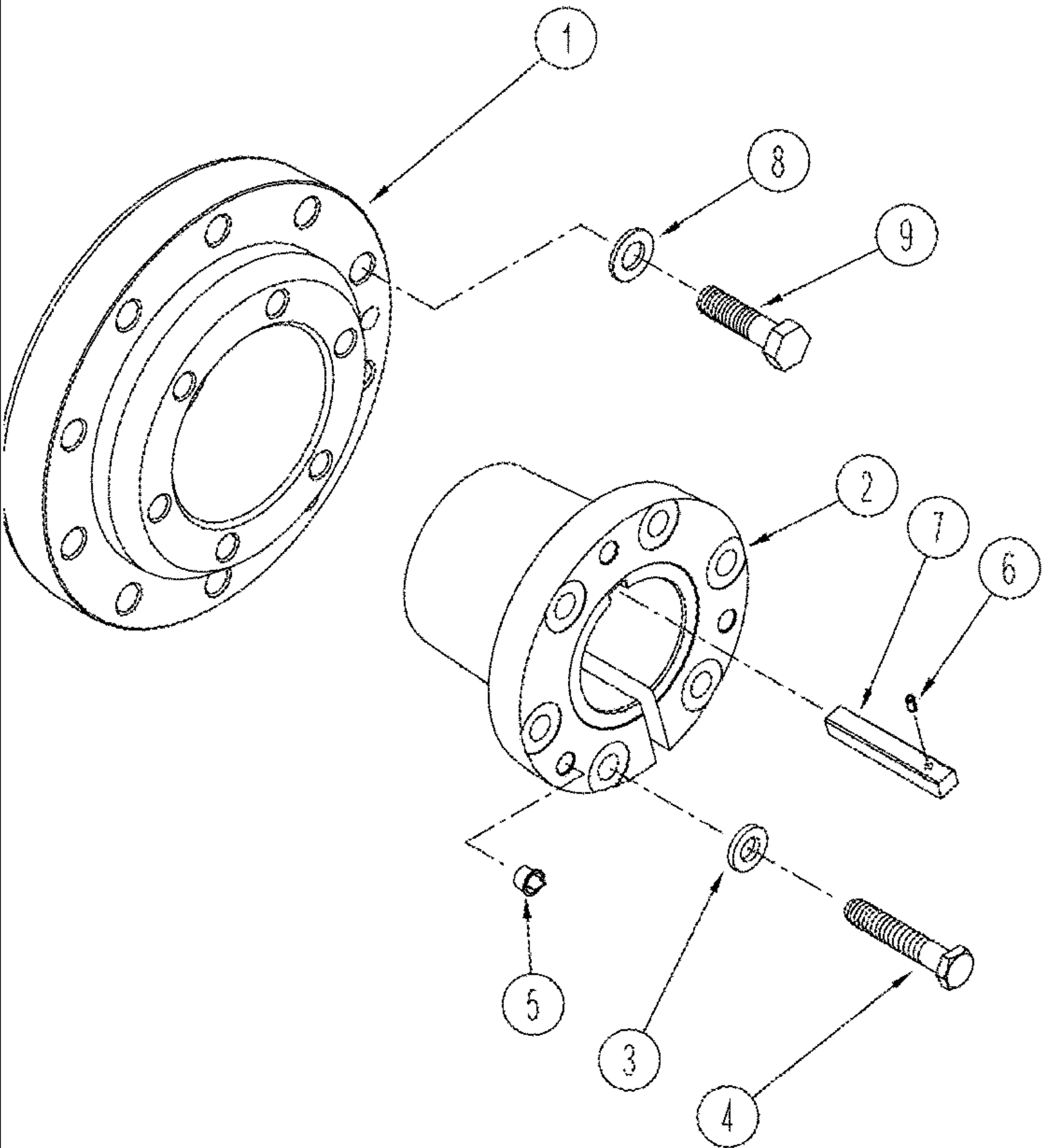


TJ530 TRACTOR (1/06-) - Power Train

06-07 WHEELS TRIPLES WITH SPACERS

Ref	Part Number	Qty	Description
1	395705A1	12	RIM, W16Ax46, For Tires: 480/80R46, 520/85R46, 18.4R46
1	395698A1	12	RIM, WH18Ax42, For Tires: 520/85R42, 20.8R42
2	409987A1	1	SPACER, 711 mm (28")
3	86639318	10	WASHER, 24 x 44 x 4 mm
4	86639172	10	BOLT, Hex, M22 x 140, 10.9,
5	A20058	AR	VALVE STEM,
6	827-22080	10	BOLT, Hex, M22 x 80, 10.9, Full Thd,

06-08 HUB ASSEMBLY MOUNTING

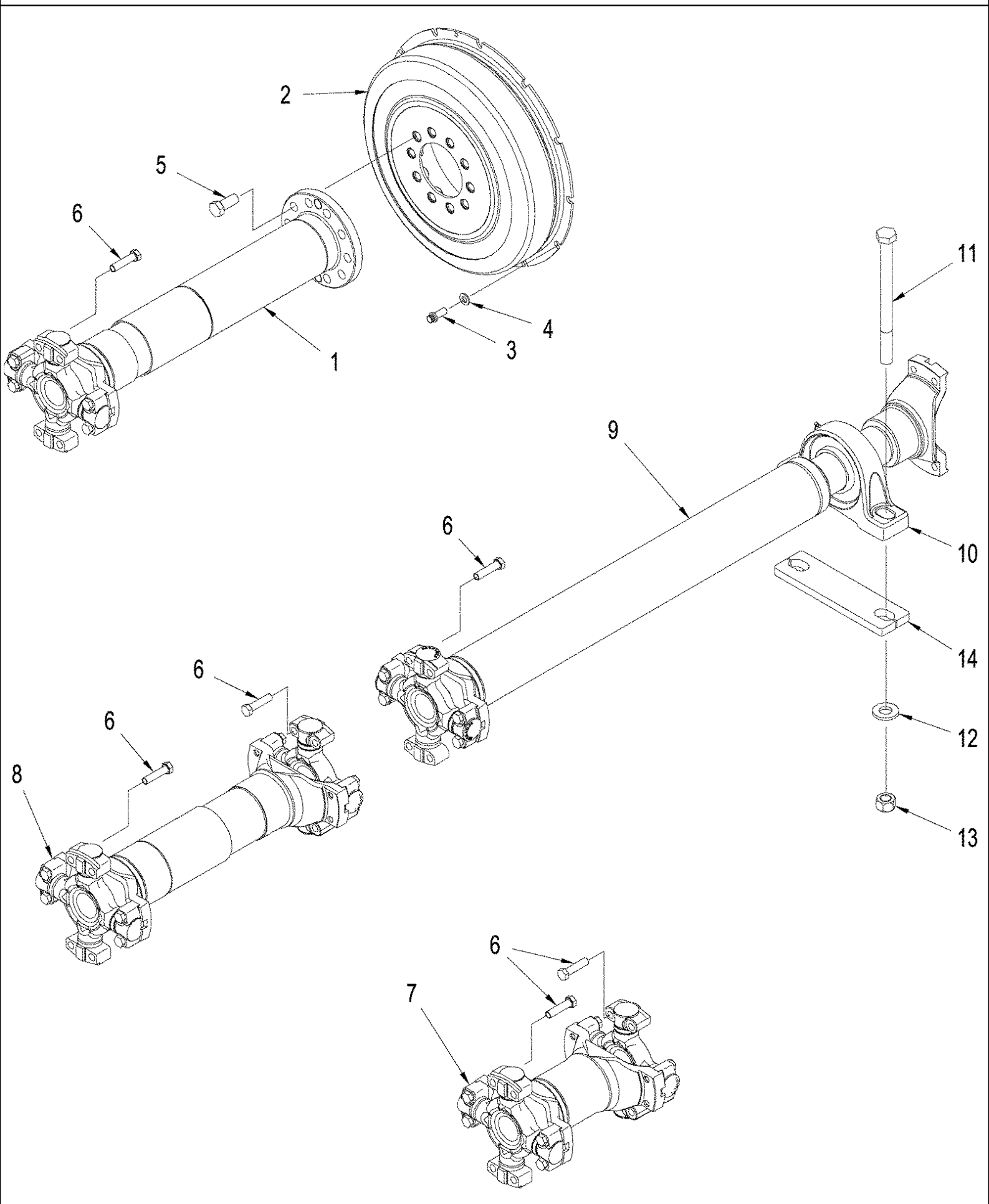


TJ530 TRACTOR (1/06-) - Power Train

06-08 HUB ASSEMBLY MOUNTING

Ref	Part Number	Qty	Description
	405821A1	1	HUB, Inc. 1-5
1	405812A1	1	HUB,
2	405816A1	1	BUSHING, 115 mm (4-1/2")
3	396-31081	6	WASHER, 13/16" x 1 1/2" x .219", HDN,
4	228273A1	6	BOLT, CL 10.9, M20 x 110
5	303401A1	3	PLUG, Plastic
6	86977782	4	PIN, LOCK, 1/4" x 1/2", Slotted,
7	A63219	4	KEY, 3/4" x 6"
8	86639318	40	WASHER, 24 x 44 x 4 mm
9	827-22080	40	BOLT, Hex, M22 x 80, 10.9, Full Thd,

06-09 DRIVE SHAFT MOUNTING

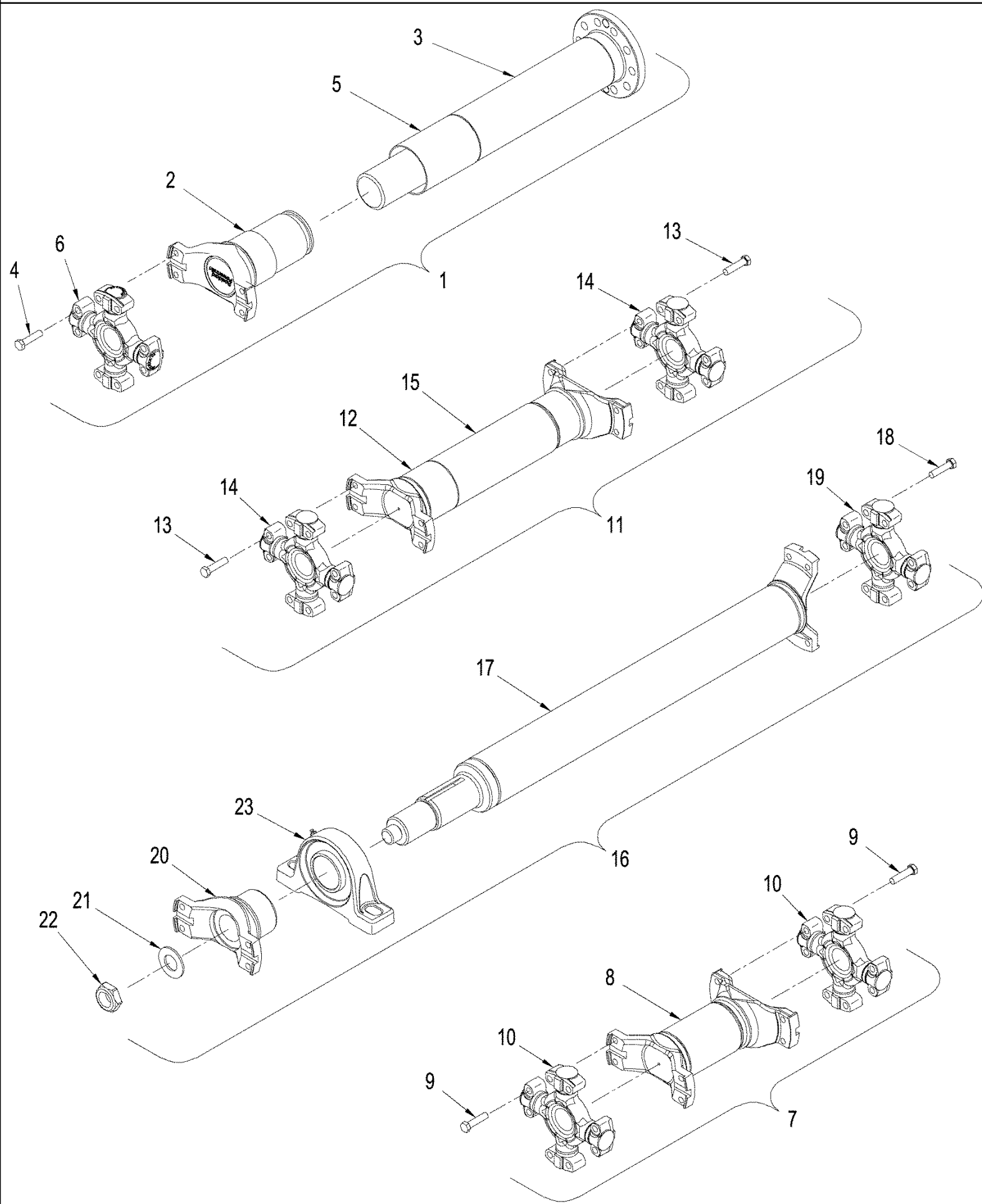


TJ530 TRACTOR (1/06-) - Power Train

06-09 DRIVE SHAFT MOUNTING

Ref	Part Number	Qty	Description
1	87440506	1	SHAFT, DRIVE, Input, 8C, See Figure: 6-10, with 450 Series Axle, With Manual Shift Transmission
1	87440505	1	SHAFT, DRIVE, Input, 8C, See Figure: 6-10, with 450 Series Axle, With Power Shift Transmission
1	87440503	1	SHAFT, DRIVE, Input, 8C, See Figure: 6-10, With Power Shift Transmission, with 500 Series Axle
2	378758A2	1	DAMPER, Vibration, Also Order 86639139
3	86639139	12	SCREW, 12 Pt Flg, Hd, 7/16"-14 x 1, Flange, 7/16 x 1; 8
4	496-81010	12	WASHER,
5	88685	10	BOLT, Hex, 5/8"-11 x 1 1/2", G8, Full Thd,
6	337476	24	BOLT, Hex, M12 x 50, 10.9, , with 450 Series Axle
6	43263	24	BOLT, Hex, M12 x 60, 10.9, , 500 Series Axle
7	402186A1	1	SHAFT, DRIVE, Front Axle, See Figure: 06-10, 450 Series Axle
7	402191A1	1	SHAFT, DRIVE, Front Axle, See Figure: 06-10, with 500 Series Axle
8	402187A1	1	SHAFT, DRIVE, Articulation, See Figure: 06-10, with 450 Series Axle
8	402192A1	1	SHAFT, DRIVE, Articulation, See Figure: 06-10, 500 Series Axle
9	402188A1	1	SHAFT, DRIVE, Rear Axle, See Figure: 06-10, with 450 Series Axle
9	402193A1	1	SHAFT, DRIVE, Rear Axle, See Figure: 06-10, with 500 Series Axle
10	451767A1	1	BEARING, Support, Pillow Block, See Figure: 06-10
11	86639168	2	BOLT, Hex, M20 x 250, 10.9,
12	86639327	2	WASHER, 22 x 44 x 5 mm
13	9847024	2	NUT, M20, CI 10,
14	406056A1	1	SPACER,

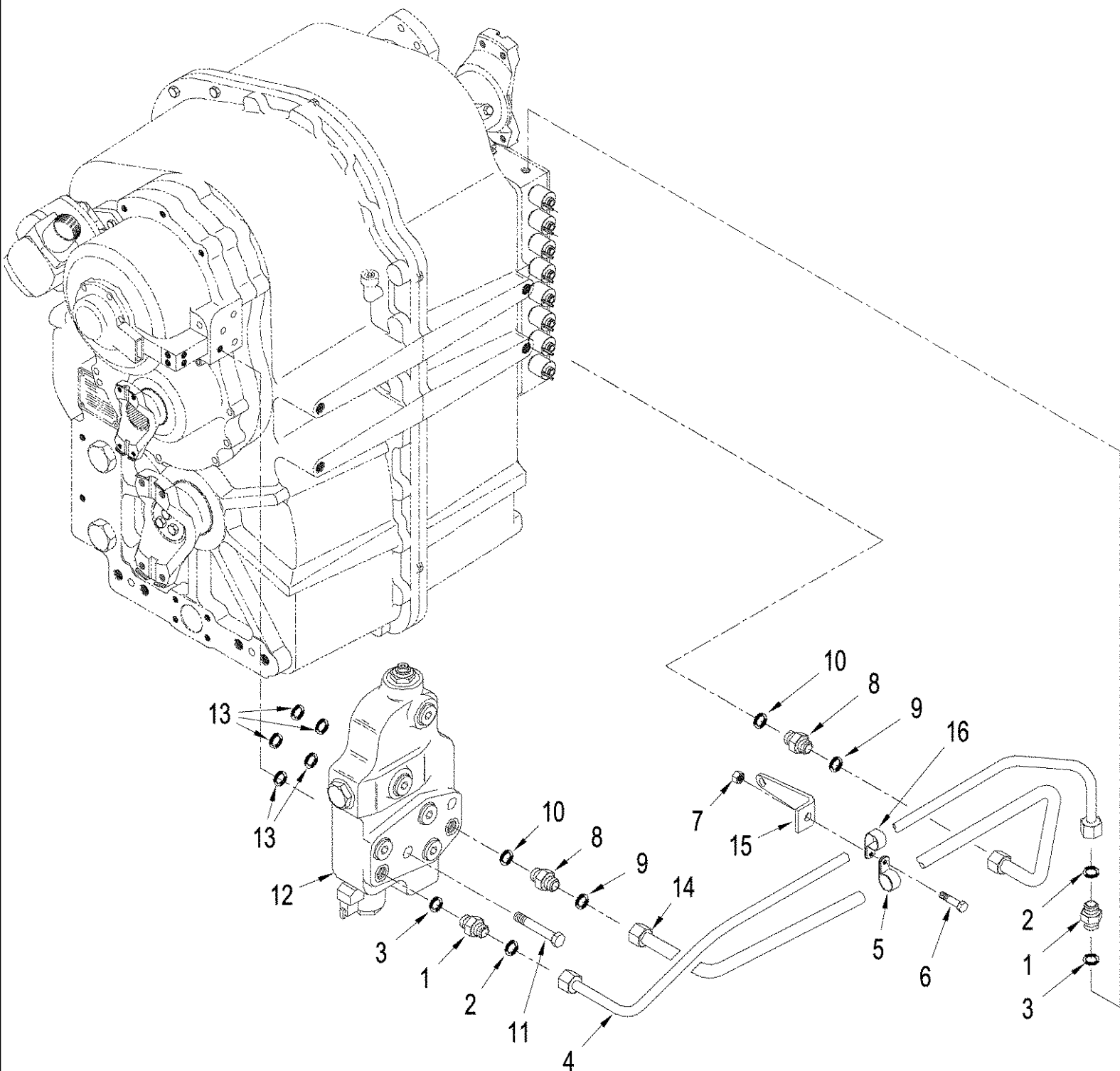
06-10 DRIVE SHAFT



TJ530 TRACTOR (1/06-) - Power Train

06-10 DRIVE SHAFT

Ref	Part Number	Qty	Description
1	87440506	1	SHAFT, DRIVE, Input, 8C, Inc. 2 - 6, with 450 Series Axle, With Manual Shift Transmission
1	87440505	1	SHAFT, DRIVE, Input, 8C, Inc. 2 - 6, with 450 Series Axle, With Power Shift Transmission
1	87440503	1	SHAFT, DRIVE, Input, 8,5C, Inc. 2 - 6, With Power Shift Transmission, with 500 Series Axle
2	NSS	1	NOT SERVICED SEPARATELY, Shaft, Slip Yoke
3	NSS	1	NOT SERVICED SEPARATELY, Shaft, Flanged
4	337476	4	BOLT, Hex, M12 x 50, 10.9, , with 450 Series Axle
4	43263	4	BOLT, Hex, M12 x 60, 10.9, , with 500 Series Axle
5	404151A1	1	SEAL, Dust
6	86000308	1	KIT, 8C, with 450 Series Axle
6	309093A1	1	SPIDER ASSY., 8,5C, with 500 Series Axle
7	402186A1	1	SHAFT, DRIVE, Front Axle, Inc. 8 - 10, with 450 Series Axle
7	402191A1	1	SHAFT, DRIVE, Front Axle, Inc. 8 - 10, with 500 Series Axle
8	NSS	1	NOT SERVICED SEPARATELY, Shaft
9	337476	8	BOLT, Hex, M12 x 50, 10.9, , with 450 Series Axle
9	43263	8	BOLT, Hex, M12 x 60, 10.9, , with 500 Series Axle
10	431621A1	2	SPIDER ASSY., 8C, with 450 Series Axle
10	309093A1	2	SPIDER ASSY., 8,5C, with 500 Series Axle
11	402187A1	1	SHAFT, DRIVE, Articulation, Inc. 12 - 15, with 450 Series Axle
11	402192A1	1	SHAFT, DRIVE, Articulation, Inc. 12 - 15, with 500 Series Axle
12	NSS	1	NOT SERVICED SEPARATELY, Shaft
13	337476	8	BOLT, Hex, M12 x 50, 10.9, , with 450 Series Axle
13	43263	8	BOLT, Hex, M12 x 60, 10.9, , with 500 Series Axle
14	431621A1	2	SPIDER ASSY., 8C, with 450 Series Axle
14	309093A1	2	SPIDER ASSY., 8,5C, with 500 Series Axle
15	404151A1	1	SEAL,
16	402188A1	1	SHAFT, DRIVE, Rear Axle, Inc. 17 - 18, with 450 Series Axle
16	402193A1	1	SHAFT, DRIVE, Rear Axle, Inc. 17 - 18, with 500 Series Axle
17	NSS	1	NOT SERVICED SEPARATELY, Shaft
18	337476	4	BOLT, Hex, M12 x 50, 10.9, , with 450 Series Axle
18	43263	4	BOLT, Hex, M12 x 60, 10.9, , with 500 Series Axle
19	431621A1	1	SPIDER ASSY., 8C, with 450 Series Axle
19	309093A1	1	SPIDER ASSY., 8,5C, with 500 Series Axle
20	404451A1	1	YOKE, 8C, with 450 Series Axle
20	407633A1	1	YOKE, 8,5C, with 500 Series Axle
21	86637815	1	WASHER, 1 5/16" x 2 1/2" x .150",
22	86637649	1	NUT, LOCK, 1 1/4"-18,
23	451767A1	1	BEARING, Support, Pillow Block

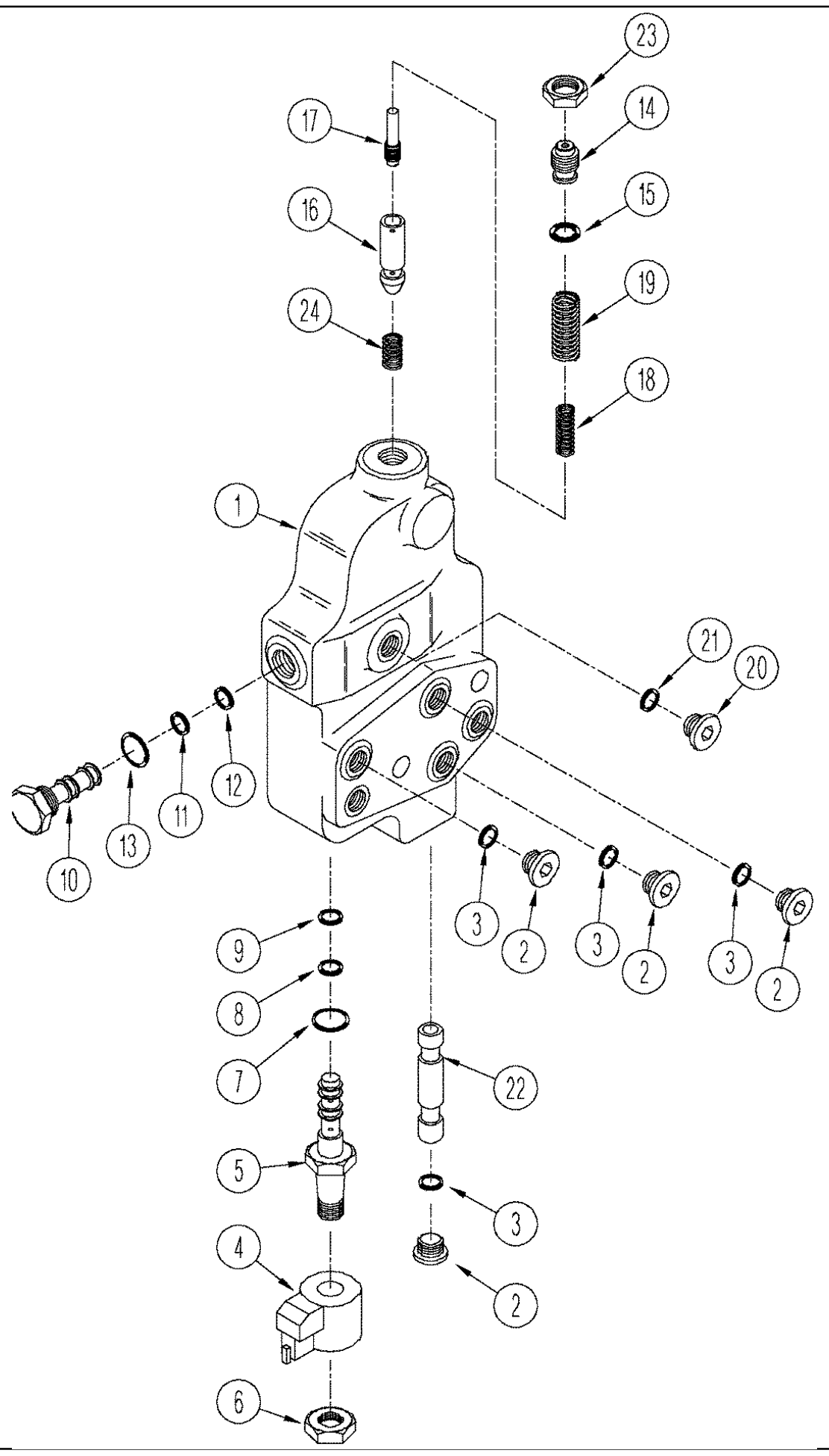


TJ530 TRACTOR (1/06-) - Power Train

06-12 POWER TAKEOFF - CLUTCH LUBRICATION, POWER SHIFT TRANSMISSION

Ref	Part Number	Qty	Description
1	86579671	2	CONNECTOR, HYD., 11/16"-16 ORFS x M14 x 1.5 ORB, Inc. 2, 3
3	86639042	1	O-RING, CI 6, 11.3MM ID x 2.2 Thk,
4	87436852	1	TUBE ASSY.,
5	86625036	1	CLAMP, 1/2", Insul, 5/16" Bolt,
6	43233	1	BOLT, Hex, M8 x 20, 10.9,
7	43362	1	NUT, M8, CI 10,
8	86579691	2	ELBOW, 90e, 13/16"-18 ORFS x M18 x 1.5 ORB, Includes 9, 10
9	9992298	1	O-RING, -014, 90 Duro, .489" ID x .070" Thk,
10	86639043	1	O-RING, 15.3 ID x 2.2 W
11	355788	2	BOLT, Hex, M10 x 70, 10.9,
12	413944A1	1	VALVE, P.T.O., See Figure: 06-13
13	14458081	5	O-RING, -122, CI 7, 1.112" ID x .103" Thk,
14	414550A1	1	TUBE ASSY.,
15	414553A1	1	BRACKET,
16	86637978	1	CLAMP, 3/8", Insul, 5/16" Bolt,
2	9993141	1	O-RING, -012, 90 Duro, .364" ID x .070" Thk,

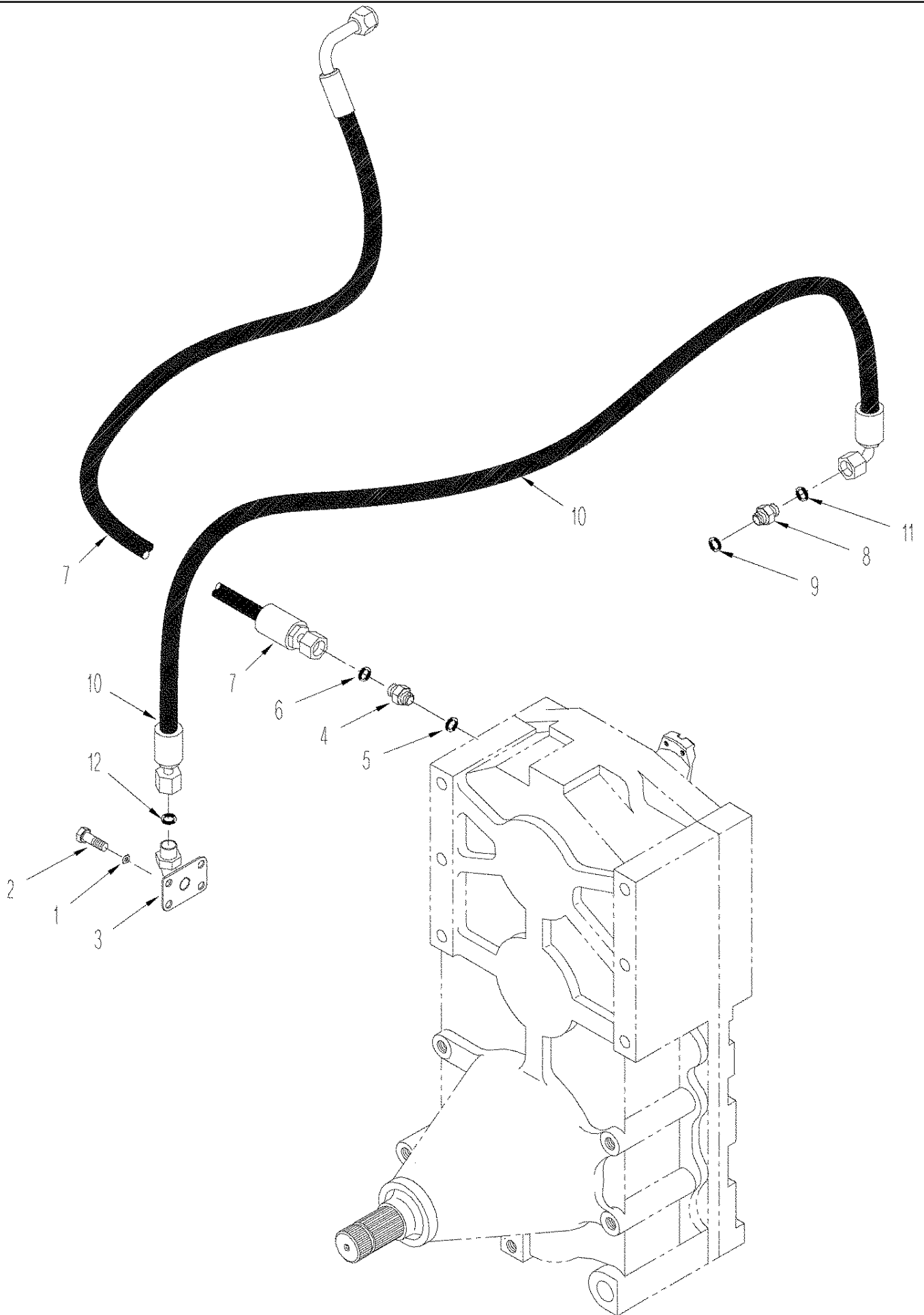
06-13 VALVE ASSY POWER TAKE OFF



TJ530 TRACTOR (1/06-) - Power Train

06-13 VALVE ASSY POWER TAKE OFF

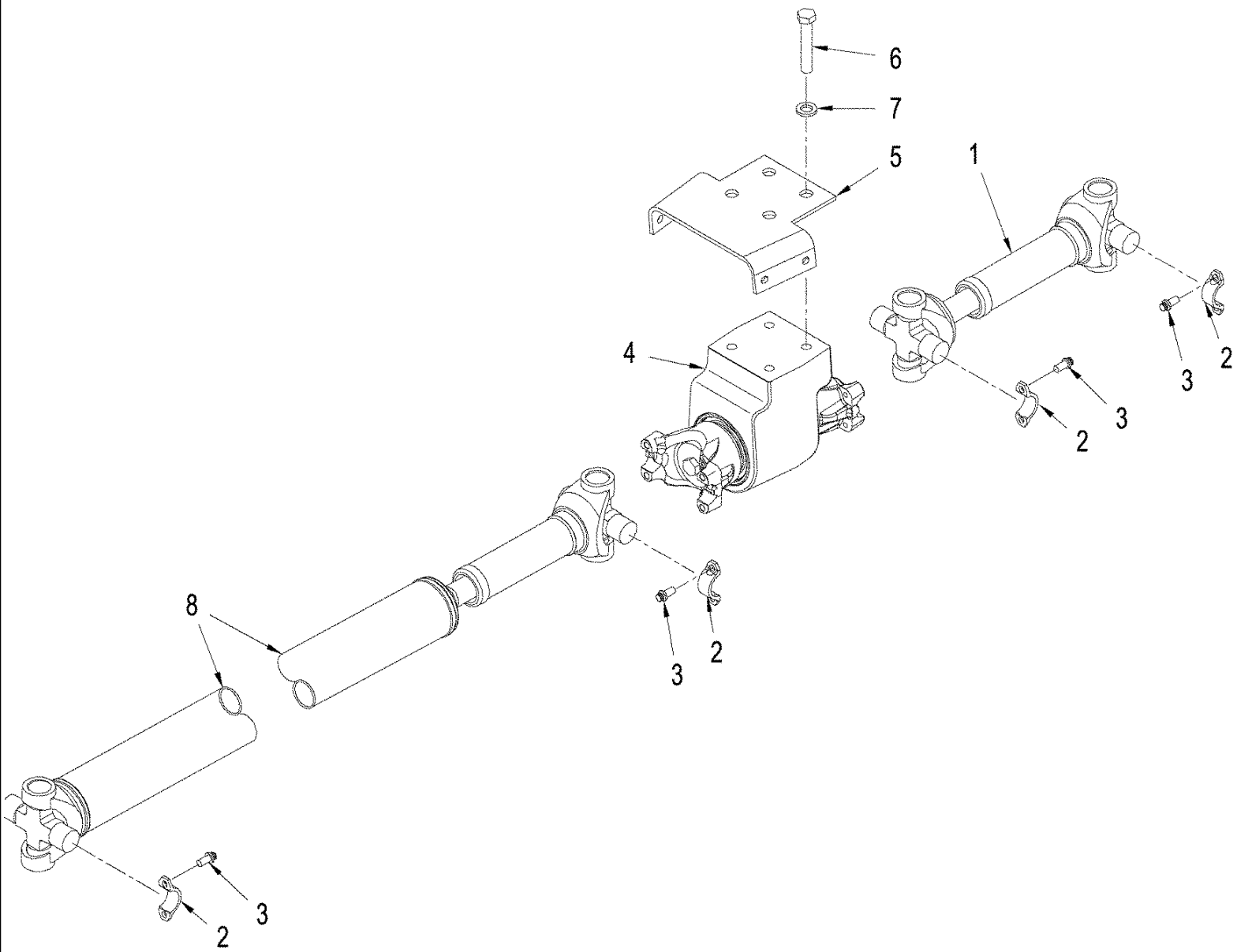
Ref	Part Number	Qty	Description
	413944A1	1	VALVE, Control, Power Takeoff, Inc. 1 - 24
1	NSS	1	NOT SERVICED SEPARATELY, Body
2	221578A1	4	PLUG, Hex Soc, M18 x 1.5, ORB, Includes 3
3	86639043	4	O-RING, 15.3 ID x 2.2
	318822A1	1	VALVE, SOLENOID, Solenoid, Inc. 4 - 9
4	NSS	1	NOT SERVICED SEPARATELY, Coil
5	NSS	1	NOT SERVICED SEPARATELY, Valve, Solenoid
6	NSS	1	NOT SERVICED SEPARATELY, Nut
7	128825	1	O-RING, 8-1, 90 Duro, .644" ID x .087" Thk,
8	130282	1	O-RING, -014, 70 Duro, .489" ID x .070" Thk,
9	129270	1	O-RING, 5-1, 90 Duro, .414" ID x .072" Thk,
	315514A1	1	PLUG, Inc. 10 - 13
10	NSS	1	NOT SERVICED SEPARATELY, Plug
11	9992298	1	O-RING, -014, 90 Duro, .489" ID x .070" Thk,
12	272217	1	O-RING, -013, 90 Duro, .426" ID x .070" Thk,
13	128825	1	O-RING, 8-1, 90 Duro, .644" ID x .087" Thk,
	345794A1	1	PLUG, Inc. 14, 15
14	NSS	1	NOT SERVICED SEPARATELY, Plug
15	86639045	1	O-RING, CI 6, 23.6MM ID x 2.9 Thk,
16	319664A1	1	SLEEVE,
17	319665A1	1	PISTON,
18	319661A1	1	SPRING, Inner
19	319660A1	1	SPRING, Outer
20	221576A1	1	PLUG, Hex Soc, M14 x 1.5, ORB, Includes 21
21	86639042	1	O-RING, CI 6, 11.3MM ID x 2.2 Thk,
22	320036A1	1	SPOOL,
23	322118A1	1	NUT, Special
24	319659A1	1	SPRING,



TJ530 TRACTOR (1/06-) - Power Train

06-14 POWER TAKEOFF - LUBRICATION

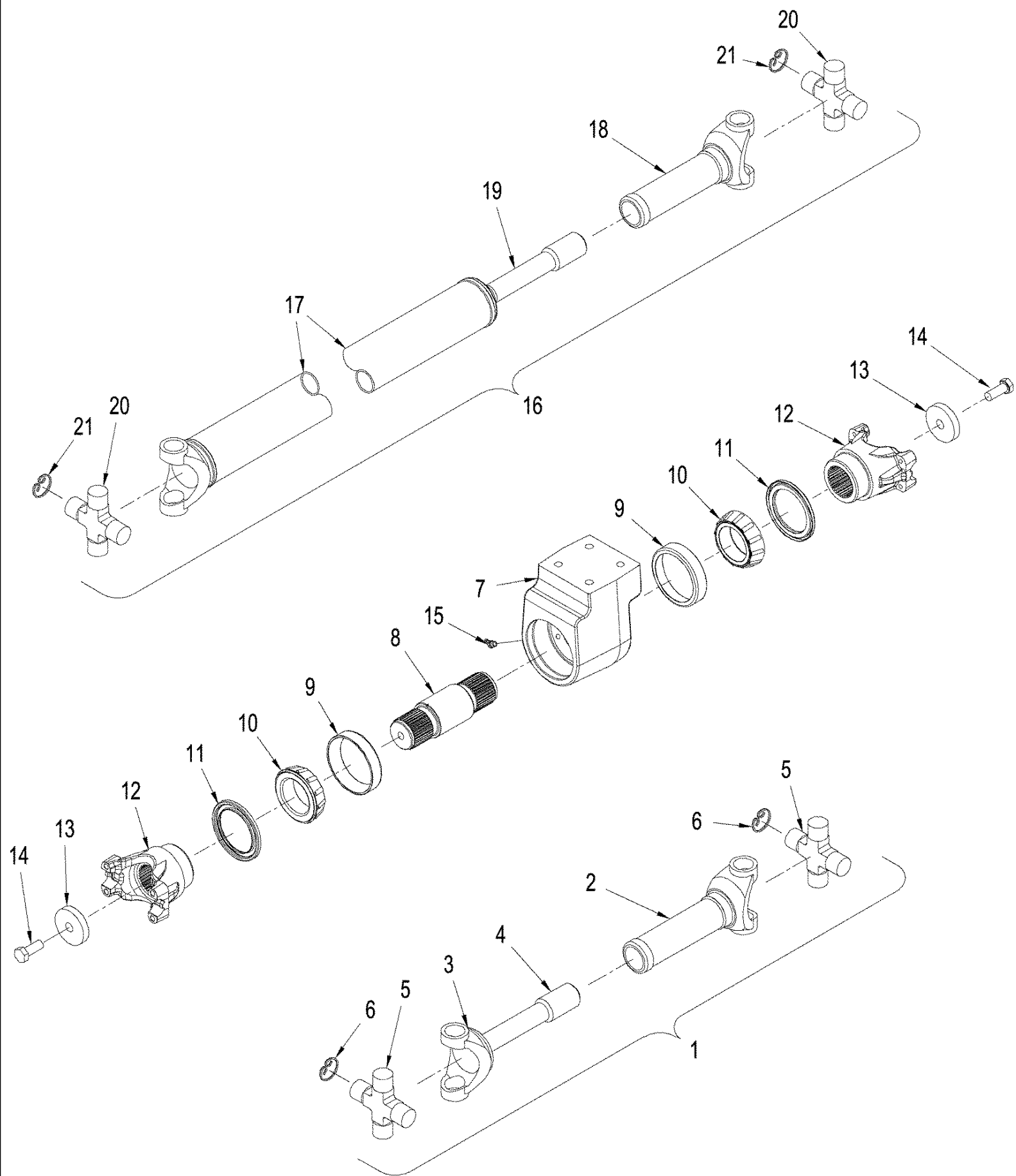
Ref	Part Number	Qty	Description
1	86632602	4	WASHER, LOCK, Ext Tooth, M10,
2	9846677	4	BOLT, Hex, M10 x 25, 10.9, Full Thd,
3	86992408	1	FITTING, Flange
4	86579676	3	CONNECTOR, HYD., 13/16"-16 ORFS x M18 x 1.5 ORB, Inc. 14, 15
5	86639043	1	O-RING, 15,3 ID x 2,2
6	9992298	1	O-RING, -014, 90 Duro, .489" ID x .070" Thk,
7	86994526	1	HOSE ASSY., 1270 mm (50 in)
8	86579680	1	CONNECTOR, HYD., 1"-14 ORFS x M22 x 1.5 ORB, Inc. 9, 11
9	86642449	1	O-RING, CI 6, 13.3MM ID x 2.2 Thk,
10	86994525	1	HOSE ASSY., 3251 mm (128 in), Rear Axle to PTO, 450 Series Axle
10	87400234	1	HOSE ASSY., 1803 mm (71 in), Rear Axle to PTO, 500 Series Axle
11	9992069	2	O-RING, -016, 90 Duro, .614" ID x .070" Thk,
12	9992298	1	O-RING, -014, 90 Duro, .489" ID x .070" Thk,



TJ530 TRACTOR (1/06-) - Power Train

06-15 POWER TAKEOFF - DRIVE SHAFT MOUNTING

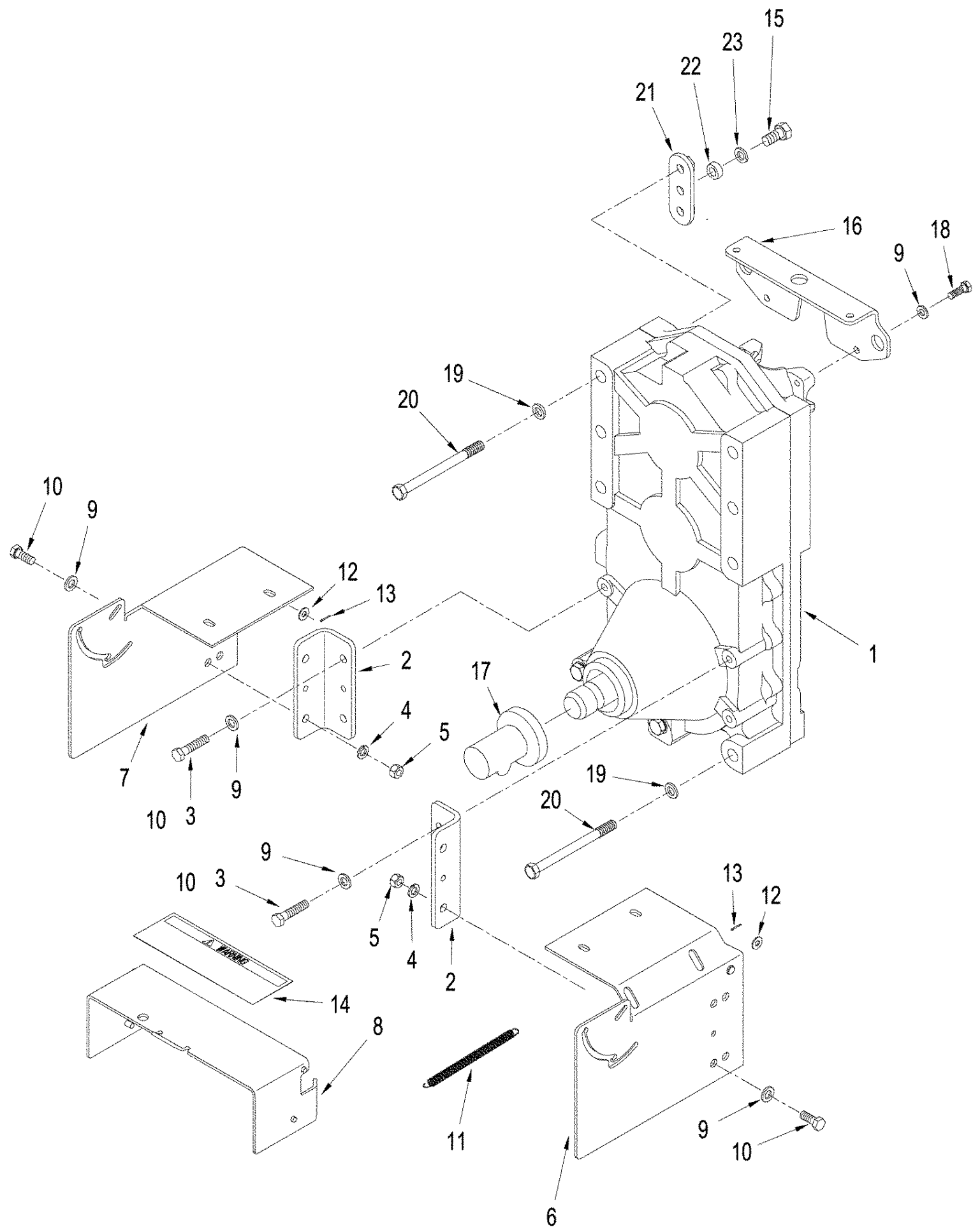
Ref	Part Number	Qty	Description
1	404798A1	1	SHAFT, Articulation, See Figure: 06-16
2	L116943	8	SPIDER, U-JOINT,
3	86639301	16	SCREW, 12 Pt Hd, M10 x 20, 12.9,
4	NSS	1	NOT SERVICED SEPARATELY, Bearing Assy, Hanger, See Figure: 06-16
5	404604A1	1	BRACKET, Mounting, Hanger Bearing
6	86577946	4	BOLT, Hex, M16 x 80, 10.9, , with 450 Series Axle
6	86521733	4	BOLT, Hex, M16 x 90, 10.9, , with 500 Series Axle
7	86625266	4	WASHER, M17.5 x 30 x 4, HT,
8	404799A1	1	SHAFT, DRIVE, Rear, See Figure: 06-16



TJ530 TRACTOR (1/06-) - Power Train

06-16 POWER TAKEOFF - DRIVE SHAFT ASSEMBLIES

Ref	Part Number	Qty	Description
1	404798A1	1	SHAFT, Articulation, Inc. 2 - 6
2	NSS	1	NOT SERVICED SEPARATELY, Yoke, Slip
3	NSS	1	NOT SERVICED SEPARATELY, Shaft
4	443088A1	1	RETAINER, SEAL,
5	S300313	2	SPIDER ASSY., Inc. 6
6	S92378	4	SNAP RING, Retaining
7	399447A1	1	HOUSING, BEARING, Hanger
8	399446A1	1	SHAFT,
9	435535A1	2	BEARING, CUP, Cup
10	435536A1	2	BEARING, CONE, Cone
11	435537A1	2	SEAL,
12	398554A1	2	YOKE,
13	435427A1	2	WASHER, 5/8" x 2-3/4" x 1/2"
14	374835	2	BOLT, Hex, M16 x 40, 10.9,
15	80717	1	NIPPLE, LUBE, 45c, 1/8" NPT x 7/8" lg,
16	404799A1	1	SHAFT, DRIVE, Rear, Inc. 17 - 21
17	NSS	1	NOT SERVICED SEPARATELY, Shaft
18	NSS	1	NOT SERVICED SEPARATELY, Yoke, Slip
19	443088A1	1	RETAINER, SEAL,
20	S300313	2	SPIDER ASSY., Inc. 21
21	S92378	4	SNAP RING, Retaining

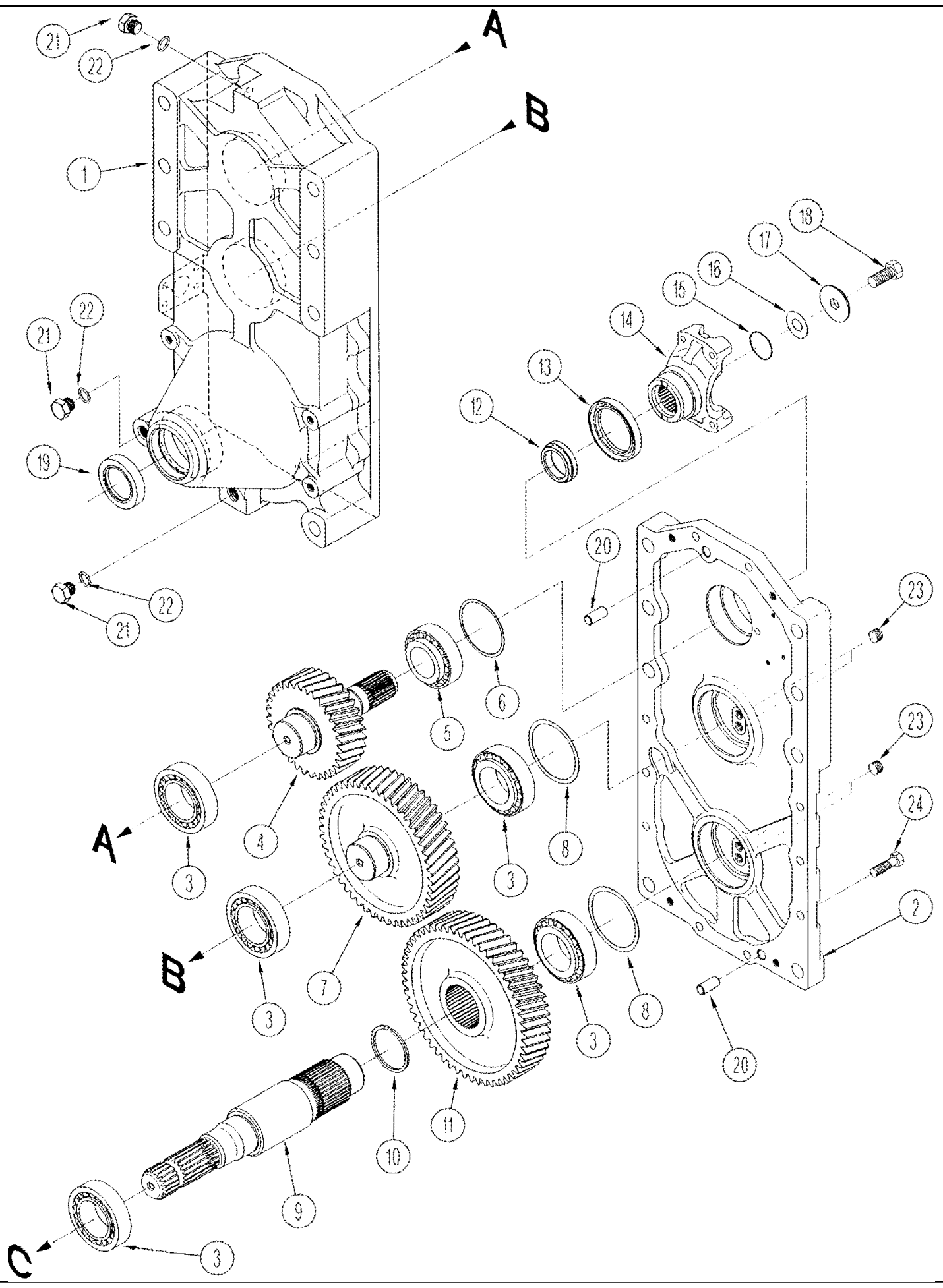


TJ530 TRACTOR (1/06-) - Power Train

06-17 POWER TAKEOFF - SAFETY SHEILDS

Ref	Part Number	Qty	Description
1	403073A1	1	GEARBOX ASSY, Transfer, See Figure: 06-18
2	405394A1	2	BRACE, Mounting, PTO Safety Shields
3	827-12055	4	BOLT, Hex, M12 x 55, 10.9, , With Three Point Hitch
4	412123	4	WASHER, LOCK, M12,
5	337475	4	NUT, M12, CI 10,
6	405396A1	1	COVER, PTO Safety, RH
7	405395A1	1	COVER, PTO Safety, LH
8	405397A1	1	SHIELD, Flip-up
9	86625255	10	WASHER, M13.5 x 24.5 x 3, HT,
10	43260	6	BOLT, Hex, M12 x 30, 10.9, , With Three Point Hitch
10	43260	10	BOLT, Hex, M12 x 30, 10.9, , Without Three Point Hitch
11	365853A1	2	SPRING,
12	86625263	2	WASHER, M8 x 20 x 1.6,
13	86639115	2	PIN, SPLIT (COTTER), M2 x 12,
14	327567A3	1	DECAL, PTO Safety Sheild, See Figure: 09-54
15	86639032	2	BOLT, Hex, M16 x 25, 10.9, Full Thd,
16	405398A1	1	BRACKET, Optional PTO, If Used
17	383716A1	1	SHIELD, PTO Sheild
18	9515003	2	BOLT, Hex, M10 x 30, 10.9, Full Thd,
19	86625260	4	WASHER, M20 x 37.5 x 4, HT,
20	827-20230	4	BOLT, Hex, M20 x 230, 10.9,
21	259389A1	2	PLATE,
22	435501A1	2	SPACER,
23	86625266	2	WASHER, M17.5 x 30 x 4, HT,

06-18 POWER TAKEOFF TRANSFER CASE ASSEMBLY

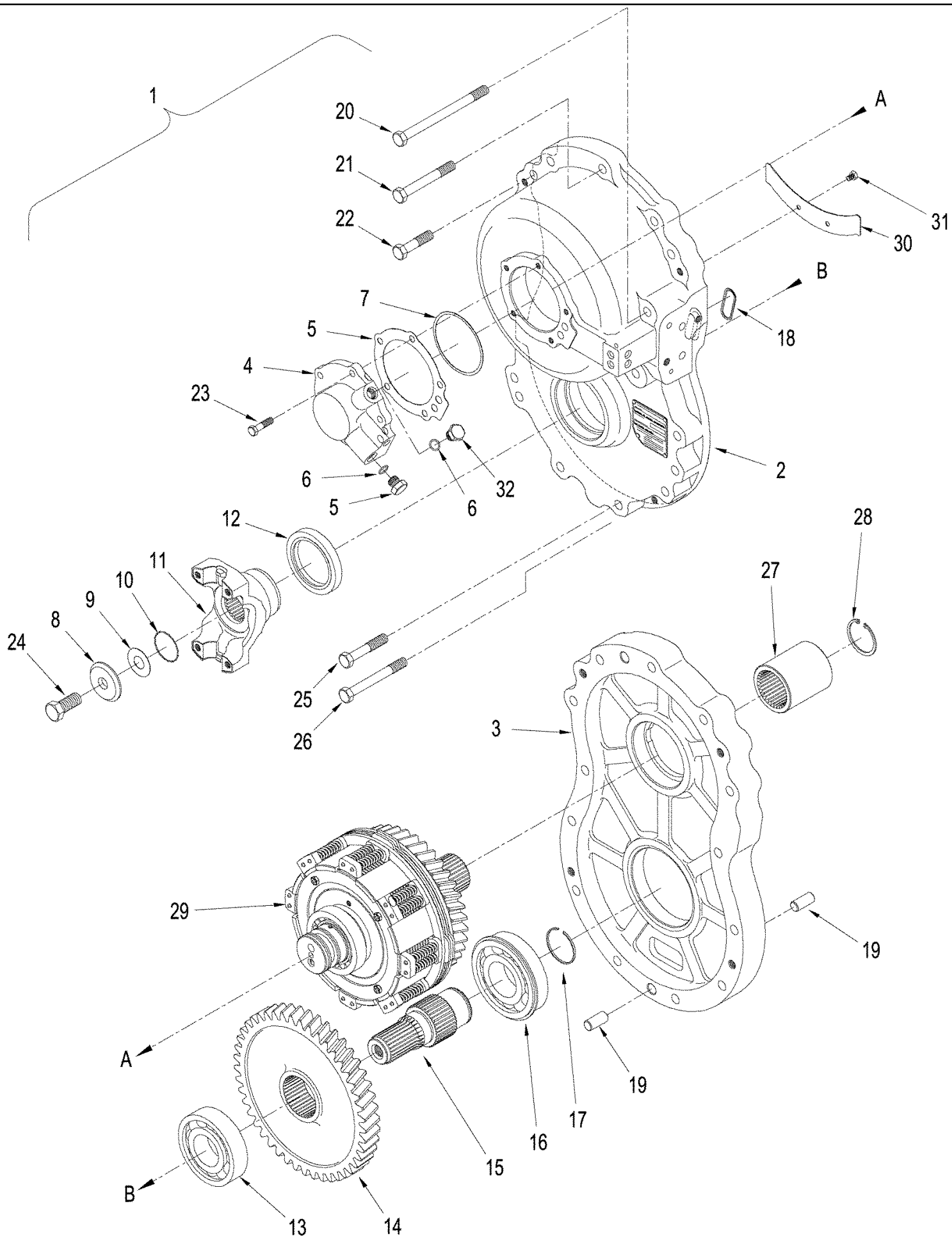


TJ530 TRACTOR (1/06-) - Power Train

06-18 POWER TAKEOFF TRANSFER CASE ASSEMBLY

Ref	Part Number	Qty	Description
	403073A1	1	GEARBOX ASSY, Transfer, Inc. 1 - 24
1	375500A1	1	HOUSING, Rear
2	375501A1	1	HOUSING, Front
3	428183A1	5	BEARING,
4	375502A1	1	GEAR, Input
5	375503A1	1	BEARING,
6	375504A1	AR	SHIM,
6	375505A1	AR	SHIM,
6	375506A1	AR	SHIM,
6	375507A1	AR	SHIM,
7	375508A1	1	GEAR, Idler
8	428665A1	AR	SHIM, 0,10 mm (0,004 in)
8	428666A1	AR	SHIM, 0,30 mm (0,012 in)
8	428667A1	AR	SHIM, 0,50 mm (0,020 in)
8	428668A1	AR	SHIM, 0,70 mm (0,027 in)
8	428669A1	AR	SHIM, 0,15 mm (0,006 in)
9	375509A1	1	SHAFT, Output
10	S2240S00F	1	SNAP RING, Retaining
11	375510A1	1	GEAR, Output
12	375511A1	1	SPACER,
13	S8820S00F	1	SEAL, OIL,
14	398447A1	1	YOKE,
15	375512A1	1	O-RING,
16	S9950S00F	AR	SHIM, 0,10 mm (0,004 in)
16	S9960S00F	AR	SHIM, 0,30 mm (0,012 in)
16	S9970S00F	AR	SHIM, 0,51 mm (0,020 in)
16	S9980S00F	AR	SHIM, 0,71 mm (0,027 in)
17	S8860S00F	1	WASHER, THRUST,
18	86637960	1	BOLT, Hex, M16 x 1.5 x 35, 10.9, Full Thd,
19	375514A1	1	SEAL, OIL,
20	427530A1	2	DOWEL,
21	86589753	3	PLUG, M18 x 15, Inc. 22
22	86639043	3	O-RING, 15.3 ID x 2.2
23	375515A1	4	PLUG,
24	86637969	10	BOLT, Hex, M12 x 1.25 x 25, 8.8, Full Thd,

06-19 POWER TAKEOFF CLUTCH ASSEMBLY

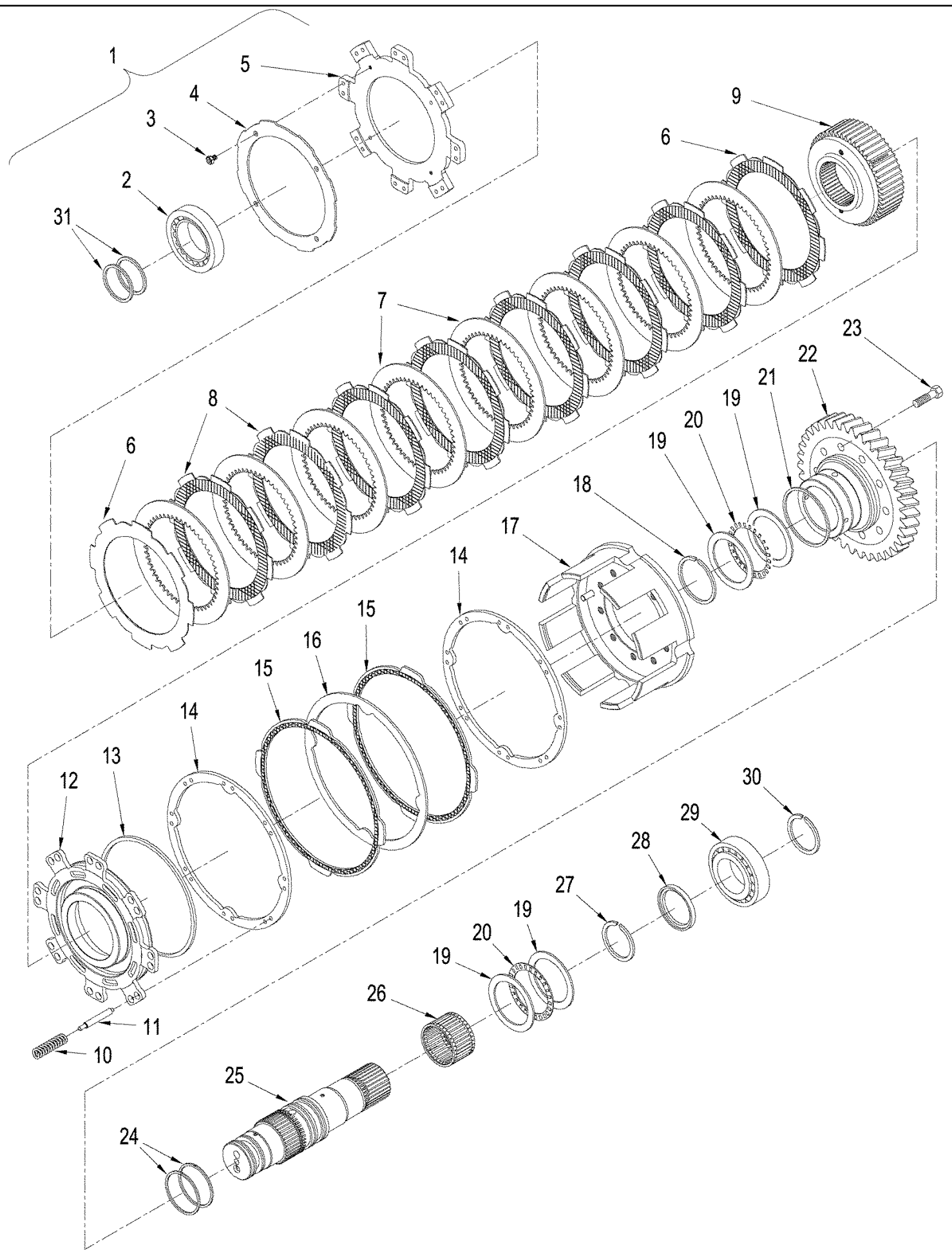


TJ530 TRACTOR (1/06-) - Power Train

06-19 POWER TAKEOFF CLUTCH ASSEMBLY

Ref	Part Number	Qty	Description
1	87601931	1	CLUTCH, PTO, Inc. 2 - 32
2	375550A1	1	HOUSING, Front
3	375551A1	1	HOUSING, Rear
4	375552A1	1	HOUSING,
5	375553A1	1	GASKET, Housing
6	86639042	9	O-RING, CI 6, 11.3MM ID x 2.2 Thk,
7	S9910S00F	AR	SHIM, 0,10 mm (0,004 in)
7	S9920S00F	AR	SHIM, 0,30 mm (0,012 in)
7	S9930S00F	AR	SHIM, 0,50 mm (0,020 in)
7	S9940S00F	AR	SHIM, 0,70 mm (0,027 in)
8	S8860S00F	1	WASHER, THRUST,
9	S9950S00F	AR	SHIM, 0,10 mm (0,004 in)
9	S9960S00F	AR	SHIM, 0,30 mm (0,012 in)
9	S9970S00F	AR	SHIM, 0,51 mm (0,020 in)
9	S9980S00F	AR	SHIM, 0,71 mm (0,027 in)
10	375512A1	1	O-RING,
11	398447A1	1	YOKE,
12	S8820S00F	1	SEAL, OIL,
13	ST293	1	BEARING, BALL,
14	375554A1	1	GEAR, Driven
15	375555A1	1	SHAFT, Output
16	375559A1	1	BEARING, BALL, Roller
17	375560A1	1	SNAP RING, Snap
18	375556A1	1	GASKET, Cover
19	427530A1	4	DOWEL,
20	SM8124208	2	BOLT,
21	86642436	4	SCREW, M12 x 1,5; 8.8
22	86642440	2	BOLT, M12 x 1,25; 8.8
23	43128	5	BOLT, Hex, M8 x 30, 8.8,
24	86637960	1	BOLT, Hex, M16 x 1.5 x 35, 10.9, Full Thd,
25	86642437	2	BOLT, M12 x 1,25; 8.8
26	86642439	7	BOLT, M12 x 1,25; 8.8
27	428660A1	1	SLEEVE, , Used on Power Shift Models
28	300647	1	RING, SNAP, M47, Int, , Used on Power Shift Models
29	NSS	1	NOT SERVICED SEPARATELY, 7, Input, See Figure: 06-20
30	376972A1	1	TROUGH,
31	86977726	2	BOLT, Hex, M6 x 12, 8.8,
32	220064A1	9	PLUG, M14 x 1.5, ORB, Inc. 6

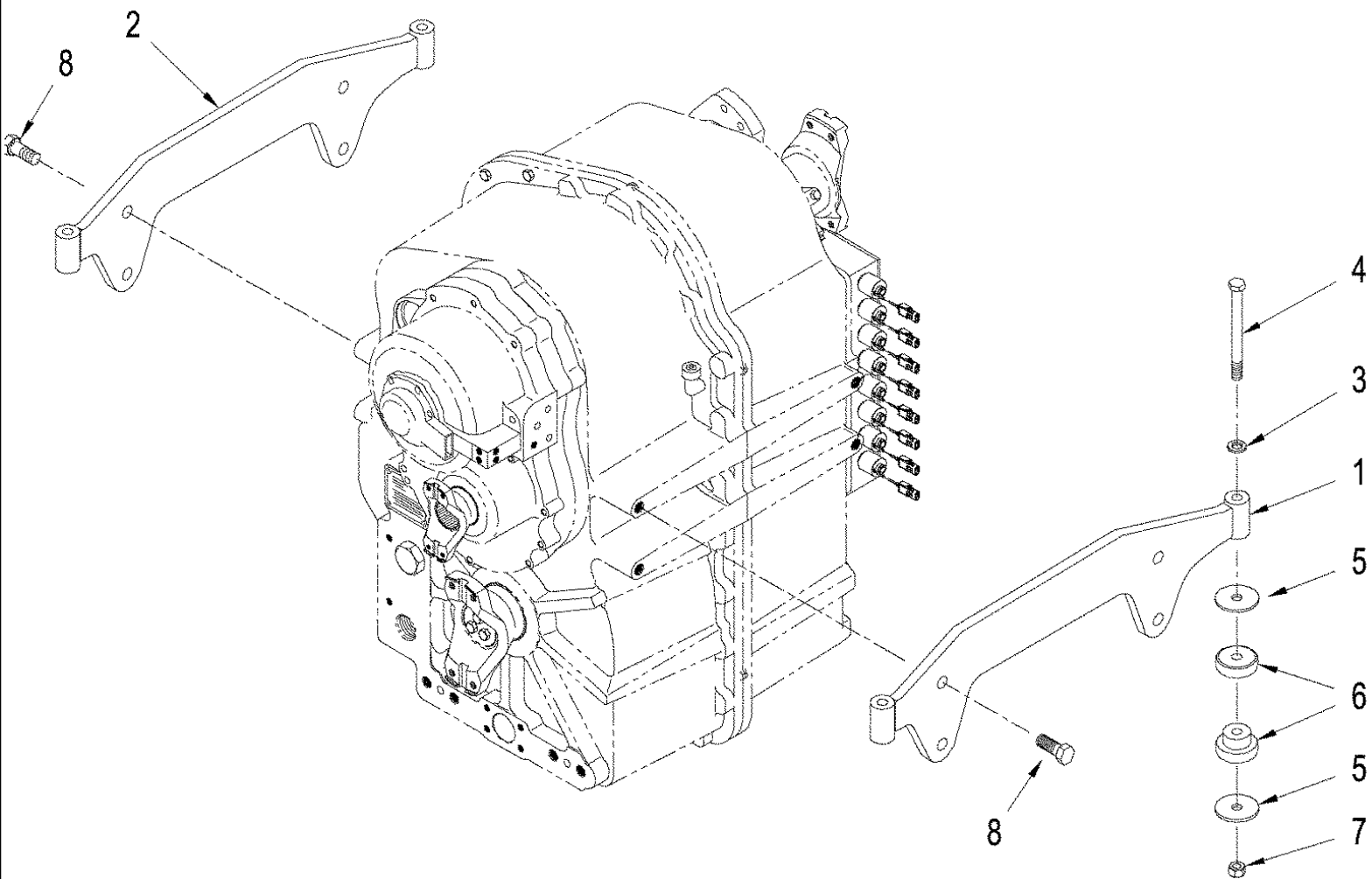
06-20 POWER TAKEOFF INPUT SHAFT ASSEMBLY



TJ530 TRACTOR (1/06-) - Power Train

06-20 POWER TAKEOFF INPUT SHAFT ASSEMBLY

Ref	Part Number	Qty	Description
1	87601933	1	SHAFT, PTO, Input
2	S8730S00F	1	BEARING, ROLLER,
3	375523A1	4	BOLT,
4	375525A1	1	PLATE,
5	375527A1	1	PLATE,
6	375528A1	2	DISC, CLUTCH, Face, 7
7	S2080S00F	8	DISC, CLUTCH, 2,4 mm
8	375529A1	7	DISC, CLUTCH, Face, 7
9	375530A1	1	HUB,
10	375531A1	16	SPRING, COIL, Brake Return
11	375532A1	16	PIN,
12	375533A1	1	PISTON,
13	352834A1	1	RING, Seal
14	375534A1	2	PLATE, BRAKE, Steel Brake
15	375535A1	2	PLATE, BRAKE, Brake Face
16	375536A1	1	PLATE, BRAKE, Steel Brake
17	375538A1	1	DRUM,
18	S2240S00F	1	SNAP RING, Retaining
19	S2220S00F	4	WASHER, THRUST, 2,4 mm
20	572182R1	2	BEARING, THRUST,
21	S5510S00F	1	RING,
22	375540A1	1	PINION,
23	86637966	10	BOLT, Hex, M10 x 1.25 x 35, 8.8, Full Thd,
24	375541A1	2	RETAINER, SEAL, Seal
25	87601935	1	SHAFT, PTO, Input
26	375543A1	1	BEARING,
27	375544A1	1	RING, SNAP, Retaining
28	375545A1	1	WASHER,
29	375546A1	1	BEARING, CUP,
29	186621A1	1	BEARING, CONE,
30	375547A1	AR	RING, SNAP, Retaining
30	375548A1	AR	RING, SNAP, Retaining
30	375544A1	AR	RING, SNAP, Retaining
31	S3070S00F	2	RING, Seal

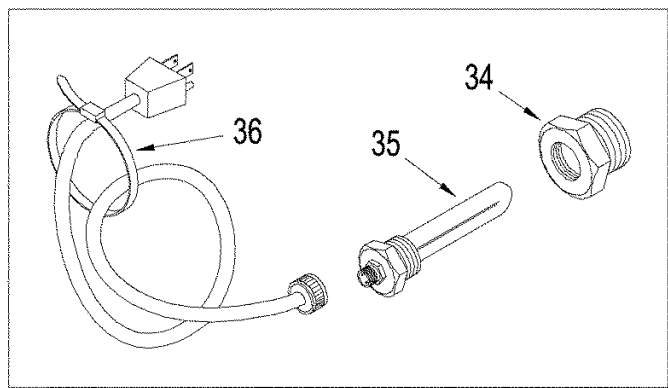
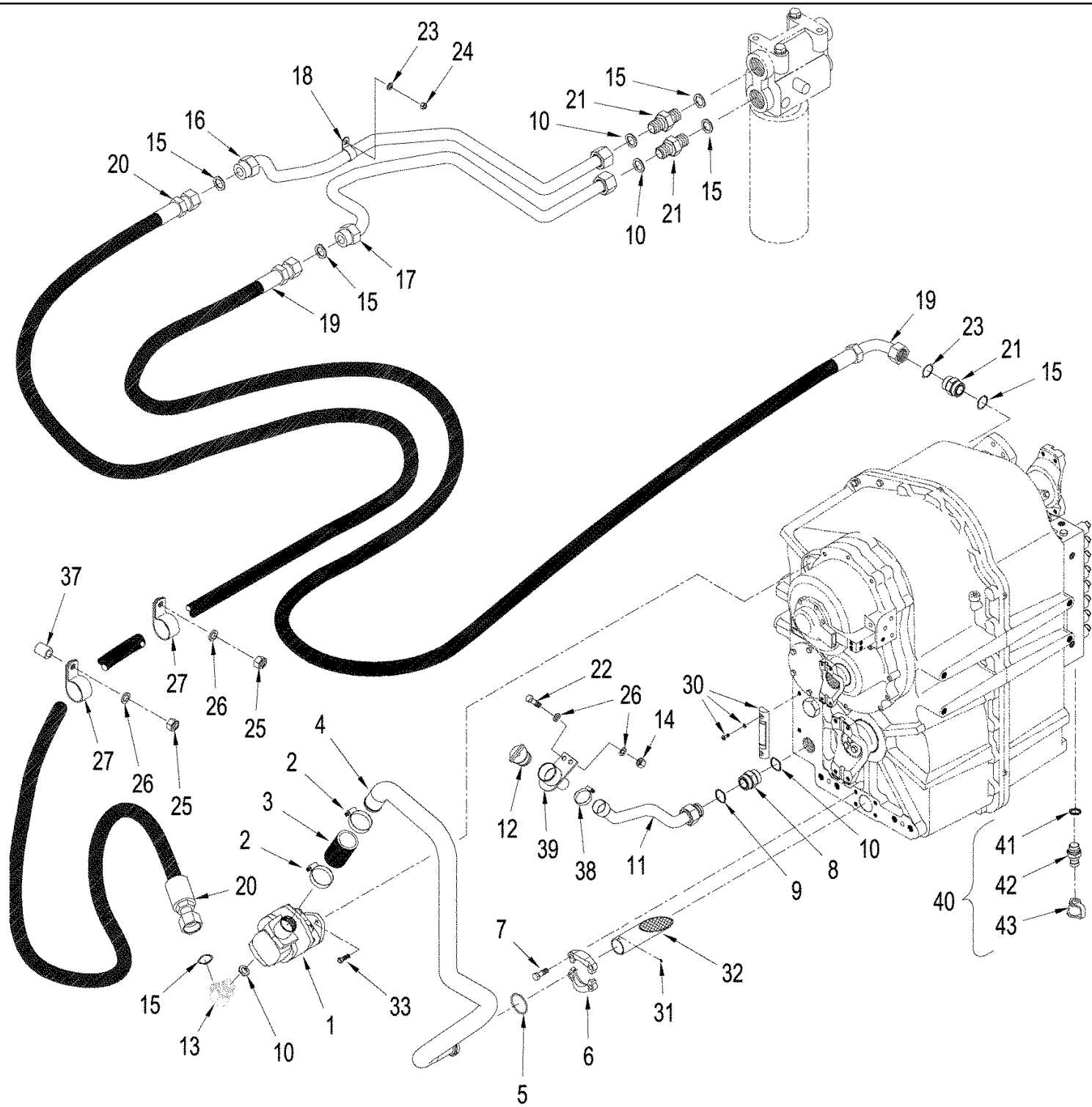


TJ530 TRACTOR (1/06-) - Power Train

06-22 TRANSMISSION MOUNTING - POWER SHIFT

Ref	Part Number	Qty	Description
1	408706A1	1	PLATE, Transmission Mounting, LH
2	87335427	1	PLATE, MOUNTING, Transmission, RH
3	86639318	4	WASHER, 24 x 44 x 4 mm
4	86642453	4	BOLT, M22 x 190; 10.9
5	76088717	8	WASHER,
6	340967A1	4	MOUNT, RUBBER,
7	86642454	4	NUT, M22; 10
8	9843495	1	BOLT, Hex, M20 x 60, 10.9,

06-24 TRANSMISSION LUBRICATION, WITH POWER SHIFT TRANSMISSION



06-24 TRANSMISSION LUBRICATION, WITH POWER SHIFT TRANSMISSION

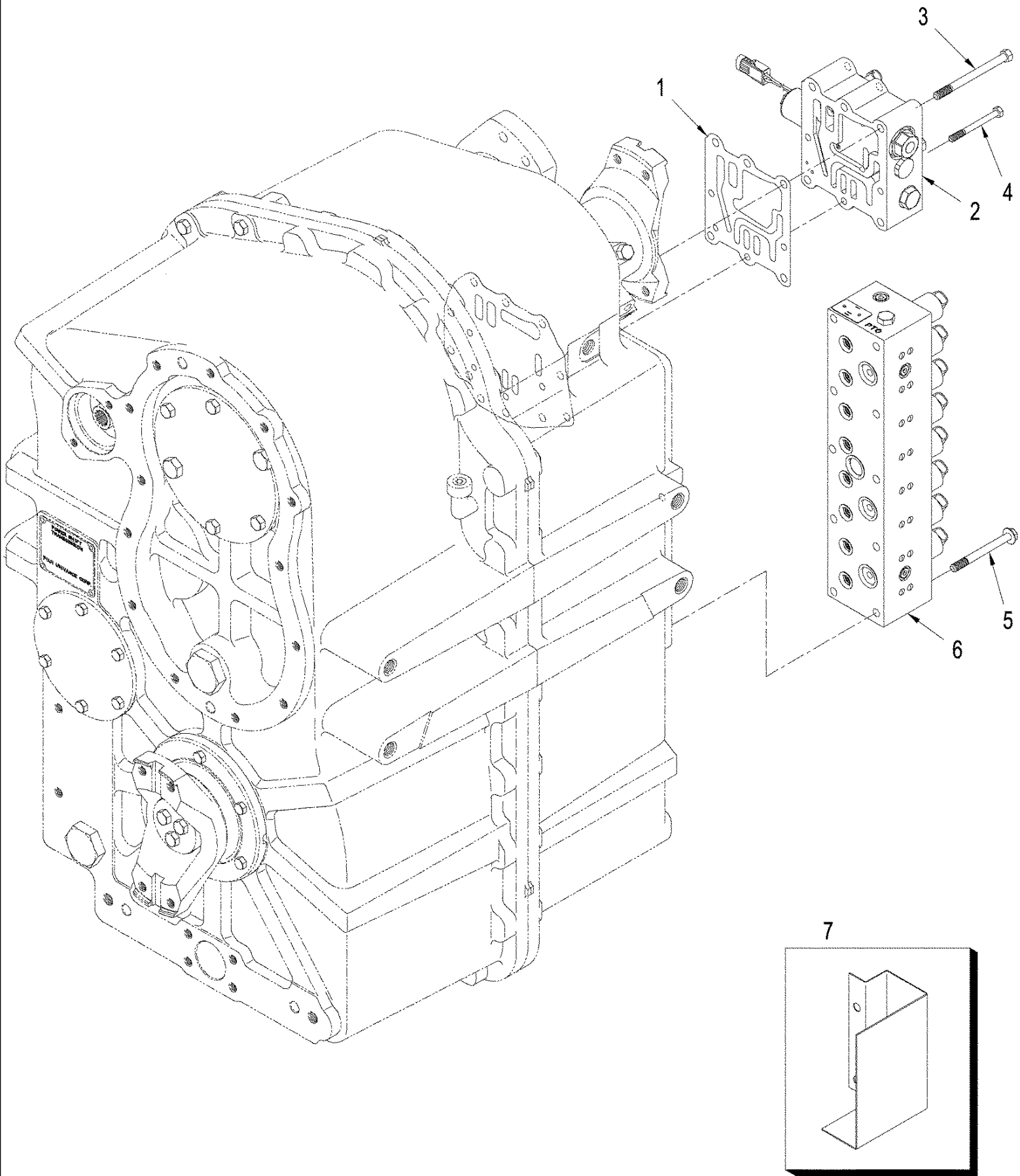
Ref	Part Number	Qty	Description
1	370546A1	1	PUMP, Oil
2	86637709	2	CLAMP, HOSE, 1.25/2.625 HD Worm,
3	435454A1	1	HOSE, 102 mm (4 "), Transmission to Oil Pump
4	408581A1	1	TUBE, Transmission to Oil Pump
5	86637769	1	O-RING, -228, 90 Duro, 2.234" ID x .139" Thk,
6	A14141	2	FLANGE,
7	9824642	4	BOLT, Hex, M12 x 35, 10.9,
8	86579685	1	CONNECTOR, HYD., 1 11/16"-12 ORFS x M42 x 2 ORB, Inc. 9, 10
9	9824051	1	O-RING, -025, 90 Duro, 1.176" ID x .070" Thk,
10	86639046	3	O-RING, CI 6, 29.6MM ID x 2.9 Thk,
11	419491A3	1	HOSE, Transmission Fill
12	325737A1	1	CAP, Transmisison Fill
13	86580180	1	ELBOW, 90e, 1 7/16"-12 ORFS x M33 x 2 ORB, Inc. 10, 15
14	412141	2	NUT, LOCK, M10 x 1.5, CI 8,
15	9824050	4	O-RING, -021, 90 Duro, .926" ID x .070" Thk,
16	87305825	1	TUBE ASSY., Transmission Pump to Filter
17	87338377	1	TUBE, HYD, Filter to Transmission Return
18	9827902	3	CLAMP, 1", Insul, 3/8" Bolt,
19	87305833	1	HOSE ASSY., 775 mm (30-1/2 in), Supply, Oil Pump to Filter
20	87305831	1	HOSE ASSY., 1399 mm (55 in), Outlet, Filter to Transmission
21	86580179	3	CONNECTOR, HYD., 1 7/16"-12 ORFS x M22 x 2 ORB, Inc. 22, 23
22	86508618	2	BOLT, Hex, M10 x 45, 10.9,
23	86624184	4	WASHER, M8 x 16 x 1.6,
24	43362	3	NUT, M8, CI 10,
25	86500689	2	NUT, M10, CI 10,
26	86624184	4	WASHER, M8 x 16 x 1.6,
27	515-24317	8	CLAMP, 1 1/4", Insul, 7/16" Bolt,
28	43362	2	NUT, M8, CI 10,
29	86624184	3	WASHER, M8 x 16 x 1.6,
30	L116247	1	GAUGE, Sight, Inc. Hardware
31	S14701960	1	BALL,
32	370551A1	1	TUBE ASSY.,
33	412160	2	BOLT, Hex, M10 x 1.25 x 30, CI8.8, Full Thd,
	186135A1	1	KIT, Transmission Heater, Inc. 34 - 36
34	367930A1	1	ADAPTER,
35	385486A1	1	HEATER ASSY., 120 V, with Cord Set
35	387062A1	1	HEATER UNIT, 240 V, with Cord Set
36	435437A1	5	STRAP, CABLE, 3/16" x 7 1/4", 7"
37	432444A1	1	SPACER,
38	84674	1	CLAMP, HOSE, #28, 1.31/2.25 Type F Worm,
39	414480A2	1	TUBE ASSY., Fill
40	178889A1	1	FITTING, Diagnostic, Inc. 41 - 43
41	86639042	1	O-RING, CI 6, 11.3MM ID x 2.2 Thk,
42	NSS	1	NOT SERVICED SEPARATELY, Fitting
43	86502604	1	DUST CAP,

TJ530 TRACTOR (1/06-) - Power Train

06-24 TRANSMISSION LUBRICATION, WITH POWER SHIFT TRANSMISSION

Ref	Part Number	Qty	Description
44	214-1420	1	CLAMP, HOSE, #20, 0.81/1.75 Type F Worm,
45	429193A1	1	TUBE ASSY., Fitting, 1-1/4" barb x 1-11/16" fc sl

06-40 POWER SHIFT TRANSMISSION - VALVE AND PUMP MOUNTING

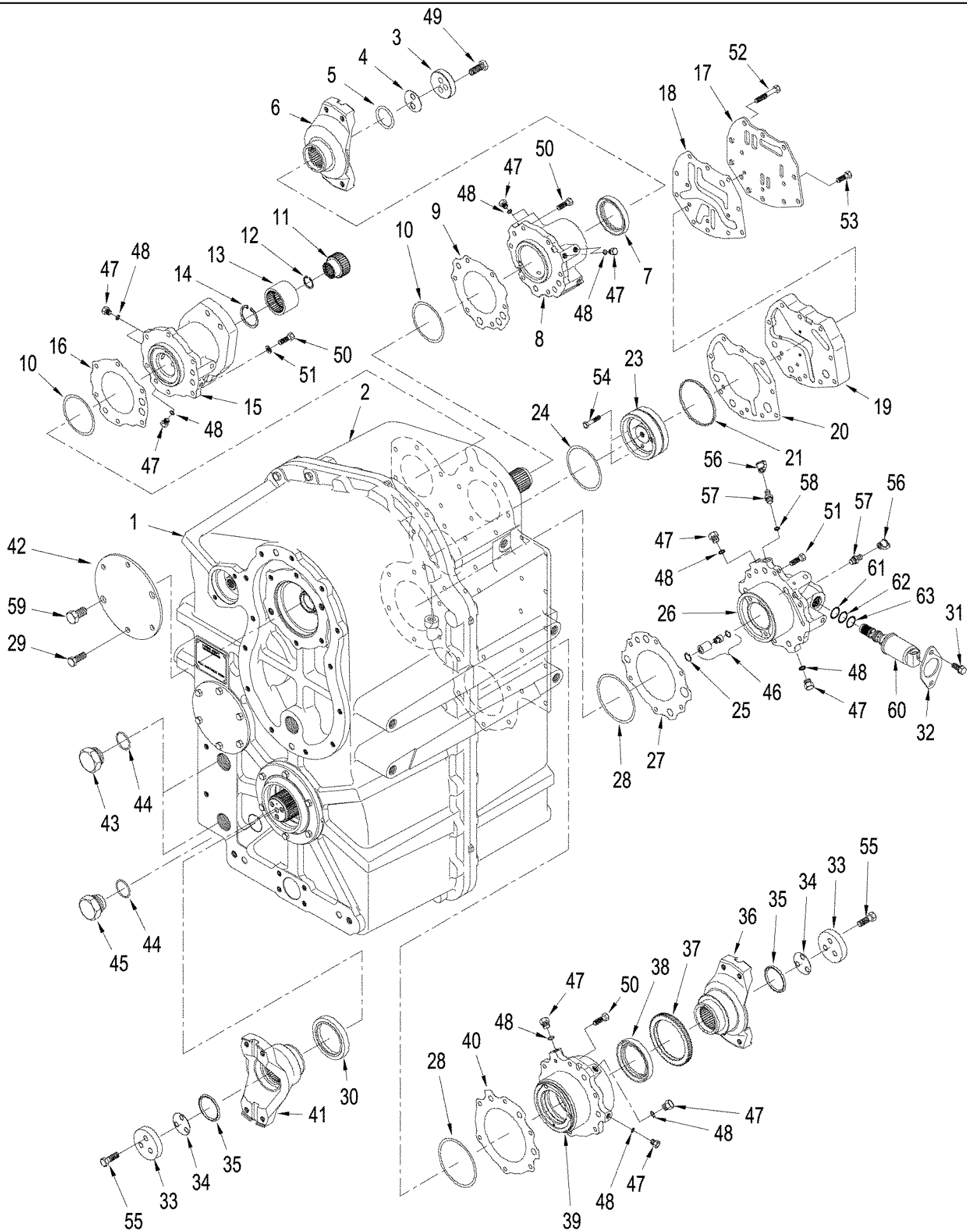


TJ530 TRACTOR (1/06-) - Power Train

06-40 POWER SHIFT TRANSMISSION - VALVE AND PUMP MOUNTING

Ref	Part Number	Qty	Description
1	87351408	1	GASKET, Regulator
2	87350388	1	VALVE, Regulator, See Figure: 06-52
3	86637968	5	BOLT, Hex, M10 x 1.25 x 120, 8.8,
4	120108	3	BOLT, Hex, M8 x 80, 8.8, Full Thd,
5	87362227	10	BOLT, M10 x 90, CL8.8
6	87350421	1	VALVE, Control, Range Selector, See Figure: 06-53
7	87335429	1	COVER, Solenoid

06-41 POWER SHIFT TRANSMISSION - COVERS AND YOKES



TJ530 TRACTOR (1/06-) - Power Train

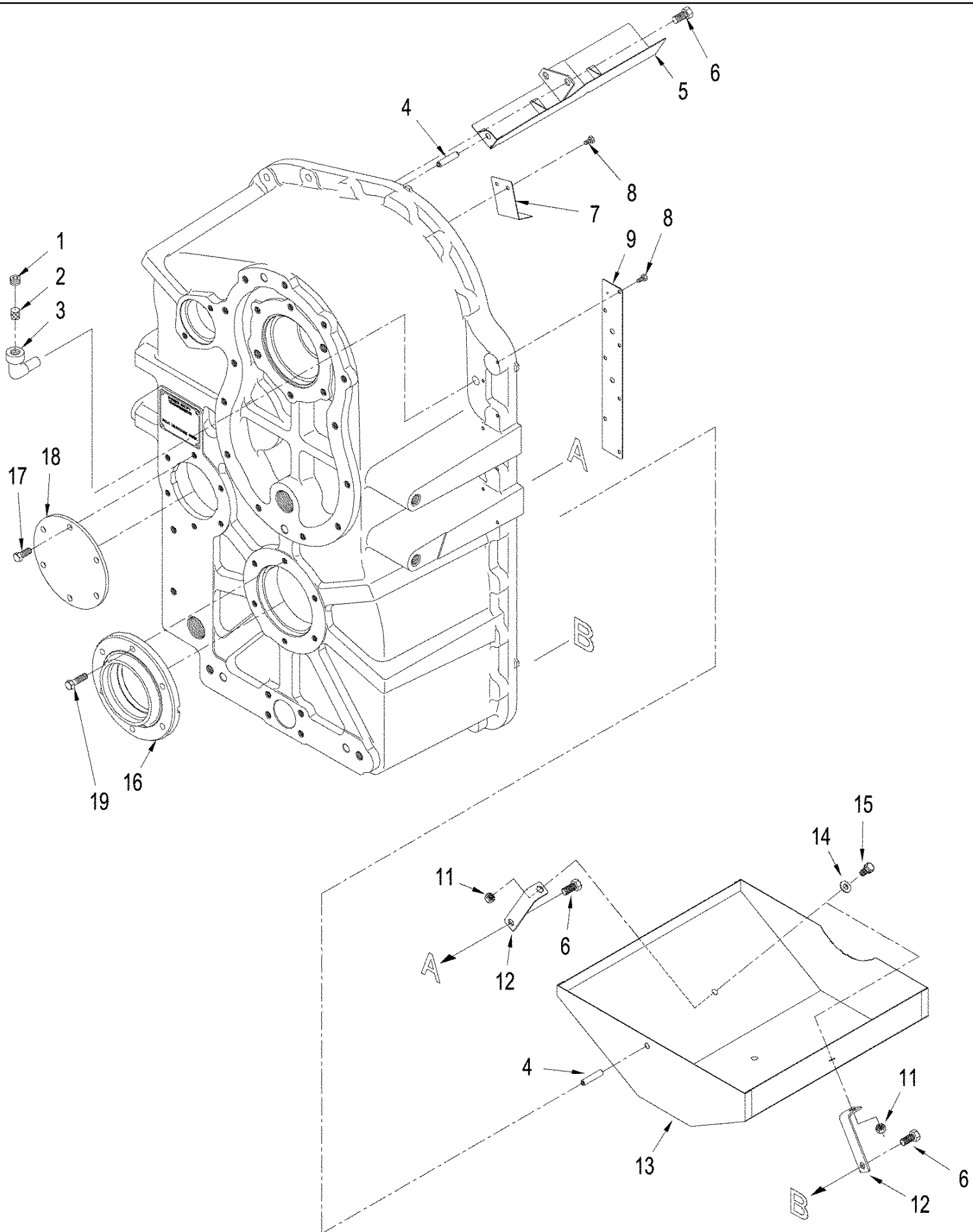
06-41 POWER SHIFT TRANSMISSION - COVERS AND YOKES

Ref	Part Number	Qty	Description
1	87350466	1	TRANSMISSION HOUSING, Rear
2	87350479	1	HOUSING, Transmission, Front
3	427539A1	1	PLATE, RETAINING,
4	427560A1	AR	SHIM, 0,10 mm (0,004 in)
4	427561A1	AR	SHIM, 0,30 mm (0,012 in)
4	427562A1	AR	SHIM, 0,50 mm (0,020 in)
5	428162A1	1	O-RING,
6	373136A1	1	COUPLING FLANGE, 8C, Input, with 450 Series Axle
6	362563A1	1	COUPLING FLANGE, 8.5C, Input, with 500 Series Axle
7	428159A1	1	SEAL, OIL,
8	362564A1	1	RETAINER, Input
9	362565A1	1	GASKET, Input Retainer
10	359242A1	AR	SHIM, 0,1 mm (0,004 in)
10	359243A1	AR	SHIM, 0,15 mm (0,006 in)
10	359244A1	AR	SHIM, 0,3 mm (0,012 in)
10	359251A1	AR	SHIM, 0,5 mm (0,020 in)
11	362566A1	1	ADAPTER,
12	800-2128	1	RING, SNAP, M28, Int,
13	362567A1	1	COUPLING,
14	428681A1	1	SNAP RING,
15	87542516	1	RETAINER, Second Shaft
16	362569A1	1	GASKET, Mounting, Second Shaft
17	87351326	1	PLATE,
18	87351331	1	GASKET, Valve
19	87351392	1	PLATE, Ditch
20	87351393	1	GASKET, Mounting, Third Shaft
21	362574A1	1	O-RING,
23	87362252	1	RETAINER, Bearing, Third Shaft
24	359252A1	AR	SHIM, 0,1 mm (0,004 in)
24	359253A1	AR	SHIM, 0,15 mm (0,006 in)
24	362576A1	AR	SHIM, 0,3 mm (0,012 in)
24	362577A1	AR	SHIM, 0,5 mm (0,020 in)
25	100-2156	1	RING, SNAP, 0.562", Int, #56,
26	87351399	1	VALVE, MANIFOLD, Clutch
27	362580A1	1	GASKET, Clutch Manifold Valve
28	427564A1	AR	SHIM, 0,10 mm (0,004 in)
28	427565A1	AR	SHIM, 0,15 mm (0,006 in)
28	427566A1	AR	SHIM, 0,30 mm (0,012 in)
28	427567A1	AR	SHIM, 0,50 mm (0,020 in)
28	427568A1	AR	SHIM, 0,70 mm (0,027 in)
29	86637974	4	BOLT, Hex, M12 x 1.25 x 25, 8.8, Full Thd,
30	87351325	1	SEAL, OIL,
31	614-8020	2	BOLT, Hex, M8 x 20, 8.8,
32	87351402	1	PLATE, Valve Retainer
33	427515A1	2	PLATE, RETAINING,

TJ530 TRACTOR (1/06-) - Power Train

06-41 POWER SHIFT TRANSMISSION - COVERS AND YOKES

Ref	Part Number	Qty	Description
34	427517A1	AR	SHIM, 0,10 mm (0,004 in)
34	427519A1	AR	SHIM, 0,30 mm (0,012 in)
35	428165A1	2	O-RING,
36	373137A1	1	COUPLING FLANGE, 8C, Output, with 450 Series Axle
36	362598A1	1	COUPLING FLANGE, 8,5C, Output, with 500 Series Axle
37	362601A1	1	RING, Speed Pick-up
38	427514A1	2	SEAL, OIL,
39	362602A1	1	RETAINER, Output
40	362603A1	1	GASKET, Output Retainer
41	87351323	1	YOKE, 8C, Output, with 450 Series Axle
41	87351322	1	YOKE, 8,5C, Output, with 500 Series Axle
42	427558A1	1	COVER, Power Takeoff
43	303493A1	2	PLUG, Hex Soc, M42 x 2, ORB, Inc. 44
44	86639047	3	O-RING, CI 6, 38.6MM ID x 2.9 Thk,
45	375456A1	1	PLUG, DRAIN, M42 orb x 2, Inc. 46
46	87350436	1	VALVE, CHECK, 4,45 mm
47	220064A1	14	PLUG, M14 x 1.5, ORB, Inc. 50
48	637-63113	1	O-RING, CI 6, 11.3MM ID x 2.2 Thk,
49	514-915	2	BOLT, Hex, M14 x 1.5 x 35, 8.8, Full Thd,
50	86637966	24	BOLT, Hex, M10 x 1.25 x 35, 8.8, Full Thd,
51	140028	6	WASHER, LOCK, M10,
52	412159	2	BOLT, Hex, M10 x 1.25 x 25, 8.8, Full Thd,
53	86642434	4	BOLT, M10 x 60
54	120106	2	BOLT, Hex, M8 x 40, 8.8, Full Thd,
55	86642438	6	BOLT, Hex, M12 x 1.25 x 35, 10.9, Full Thd,
	178889A1		FITTING, Diagnostic, Inc. 56, 57
56	H434163	1	DUST CAP, Dust
57	NSS	1	NOT SERVICED SEPARATELY, Fitting, Diagnostic, Inc. 62
58	86639042	1	O-RING, CI 6, 11.3MM ID x 2.2 Thk,
59	427559A1	2	SCREW,
60	87357396	1	VALVE, SOLENOID, Pulse with Modulation, Inc. 61 - 63
61	87014033	1	O-RING, -019, CI 7, .801" ID x .070" Thk,
62	238-7016	1	O-RING, -016, CI 7, .614" ID x .070" Thk,
63	238-7015	1	O-RING, -015, CI 7, .551" ID x .070" Thk,

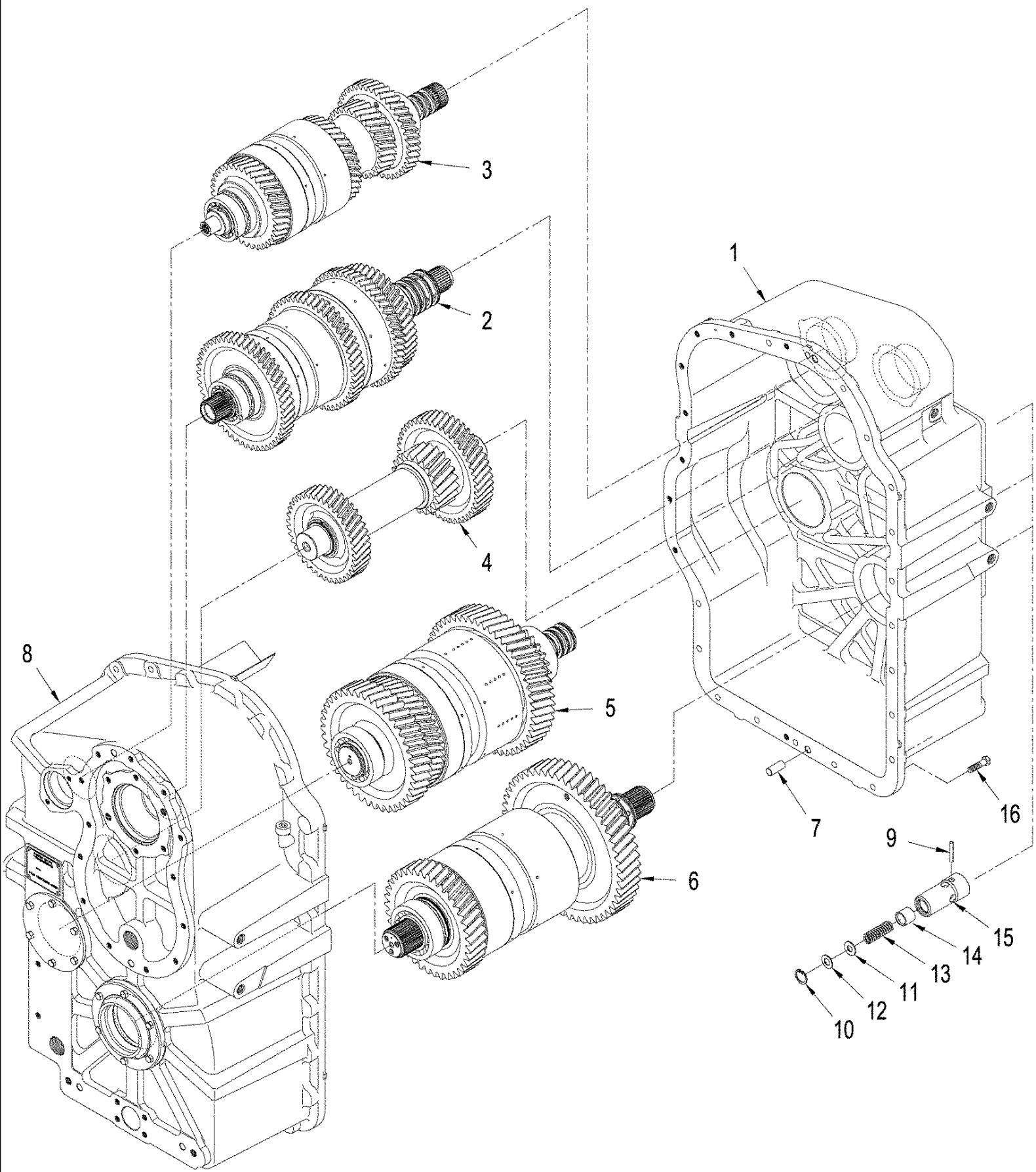


TJ530 TRACTOR (1/06-) - Power Train

06-42 POWER SHIFT TRANSMISSION - REAR HOUSING

Ref	Part Number	Qty	Description
1	428156A1	1	PLUG,
2	427524A1	1	BREATHER,
3	370632A1	1	TUBE, Breather
4	838-51040	1	PIN, LOCK, M10 x 40, Slotted, Roll
5	87350473	1	GUTTER, Oil
6	86637974	2	BOLT, Hex, M12 x 1.25 x 25, 8.8, Full Thd,
7	370634A1	1	TROUGH, Second
8	86977726	9	BOLT, Hex, M6 x 12, 8.8,
9	370635A2	1	BAFFLE, Air
10	87350466	1	TRANSMISSION HOUSING, Rear
11	222008	2	NUT, LOCK, M10
12	370637A1	2	BRACKET, Mounting, Oil Baffle
13	87350496	1	BAFFLE, Transmission Oil
14	86624176	2	WASHER, M10 x 20 x 2,
15	86637962	2	BOLT, Hex, M10 x 1.25 x 20, 8.8, Full Thd,
16	87350470	1	RETAINER, Output, Rear
17	514-712	6	BOLT, Hex, M10 x 1.25 x 25, 8.8, Full Thd,
18	87350468	1	COVER, Rear
19	514-730	6	BOLT, Hex, M10 x 1.25 x 35, 8.8, Full Thd,

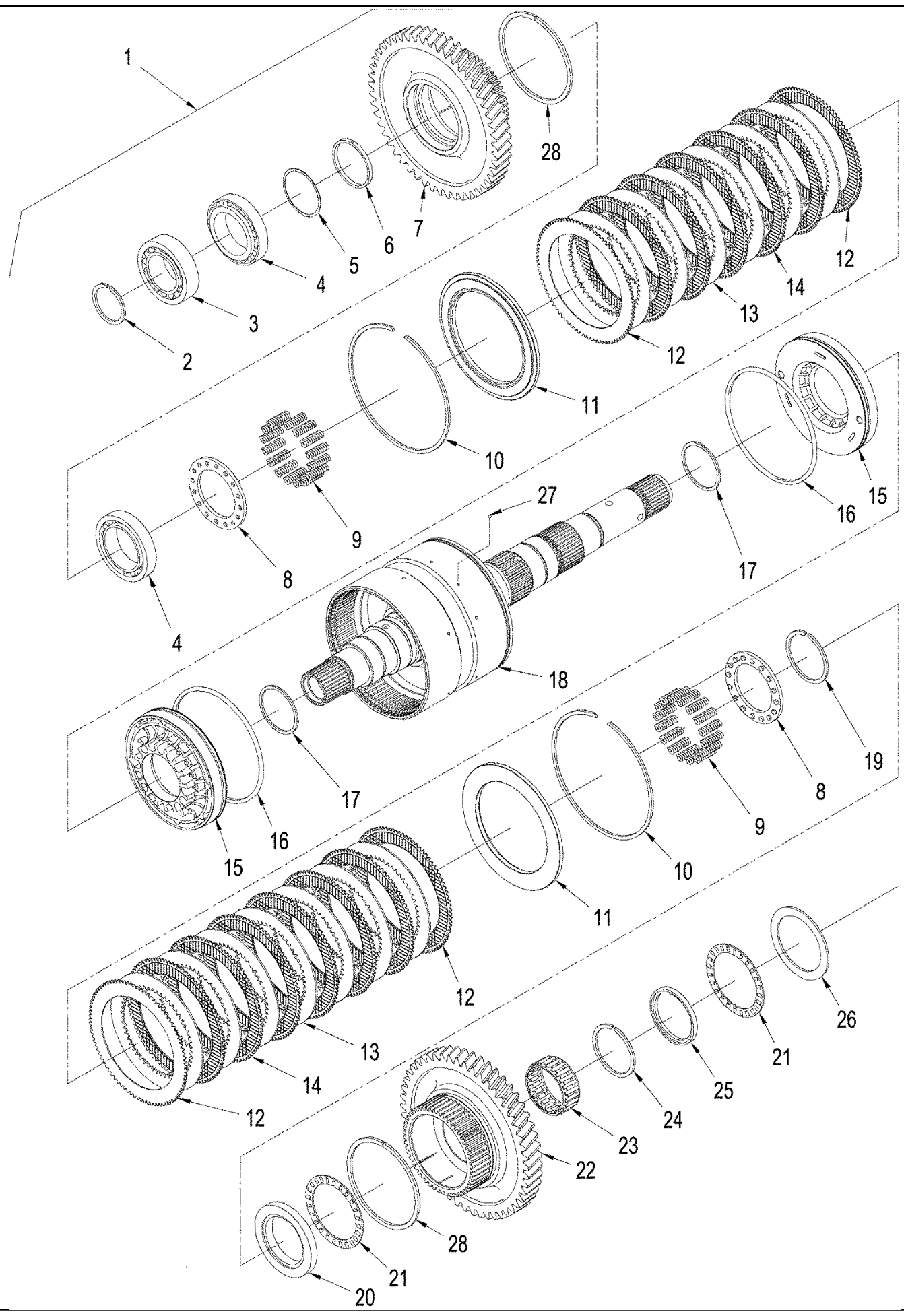
06-43 POWER SHIFT TRANSMISSION - HOUSING AND CLUTCHES



06-43 POWER SHIFT TRANSMISSION - HOUSING AND CLUTCHES

Ref	Part Number	Qty	Description
1	87350479	1	HOUSING, Front
2	87350228	1	SHAFT, CLUTCH INPUT, Input, 8C, (8" Yoke) See Figure: 06-44 & 06-45, BSN Z6F202012
2	87552053	1	SHAFT, CLUTCH INPUT, Input, 8C, (8" Yoke) See Figure: 06-44 & 06-45, ASN Z6F202012
2	87350227	1	SHAFT, CLUTCH INPUT, Input, 8,5C, (8.5" Yoke) See Figure: 06-44 & 06-45, BSN Z6F202012
2	87552050	1	SHAFT, CLUTCH INPUT, Input, 8,5C, (8.5" Yoke) See Figure(s): 06-44 & 06-45, ASN Z6F202012
3	87350268	1	SHAFT, CLUTCH INPUT, Second, 8C, (8" Yoke) See Figure: 06-46
3	87350264	1	SHAFT, CLUTCH INPUT, Second, 8,5C, (8.5" Yoke) See Figure: 06-46
4	REF	1	INSTRUCTION, Shaft, Third, See Figure: 06-47
5	87350312	1	SHAFT, CLUTCH INPUT, Fourth, 8C, (8" Yoke) See Figure(s): 06-48 & 06-49
5	87350309	1	SHAFT, CLUTCH INPUT, Fourth, 8,5C, (8.5" Yoke) See Figure(s): 06-48 & 06-49
6	87350349	1	SHAFT, CLUTCH INPUT, Fifth, 8C, (8" Yoke) See Figure(s): 06-50 & 06-51
6	87350342	1	SHAFT, CLUTCH INPUT, Fifth, 8,5C, (8.5" Yoke) See Figure(s): 06-50 & 06-51
7	427530A1	2	DOWEL,
8	87350466	1	TRANSMISSION HOUSING, Rear
9	86642455	4	PIN, Roll
10	370025	4	RING, SNAP, M12, Int, Retaining
11	86625261	4	WASHER, M5 x 10 x 1,
12	370542A1	4	SHIM,
13	370543A1	4	SPRING, Check Valve
14	370544A1	4	SPOOL, Drain
15	370545A1	4	CAP, Press
16	86642435	25	BOLT, Hex, M12 x 1.25 x 45, 8.8, Full Thd,

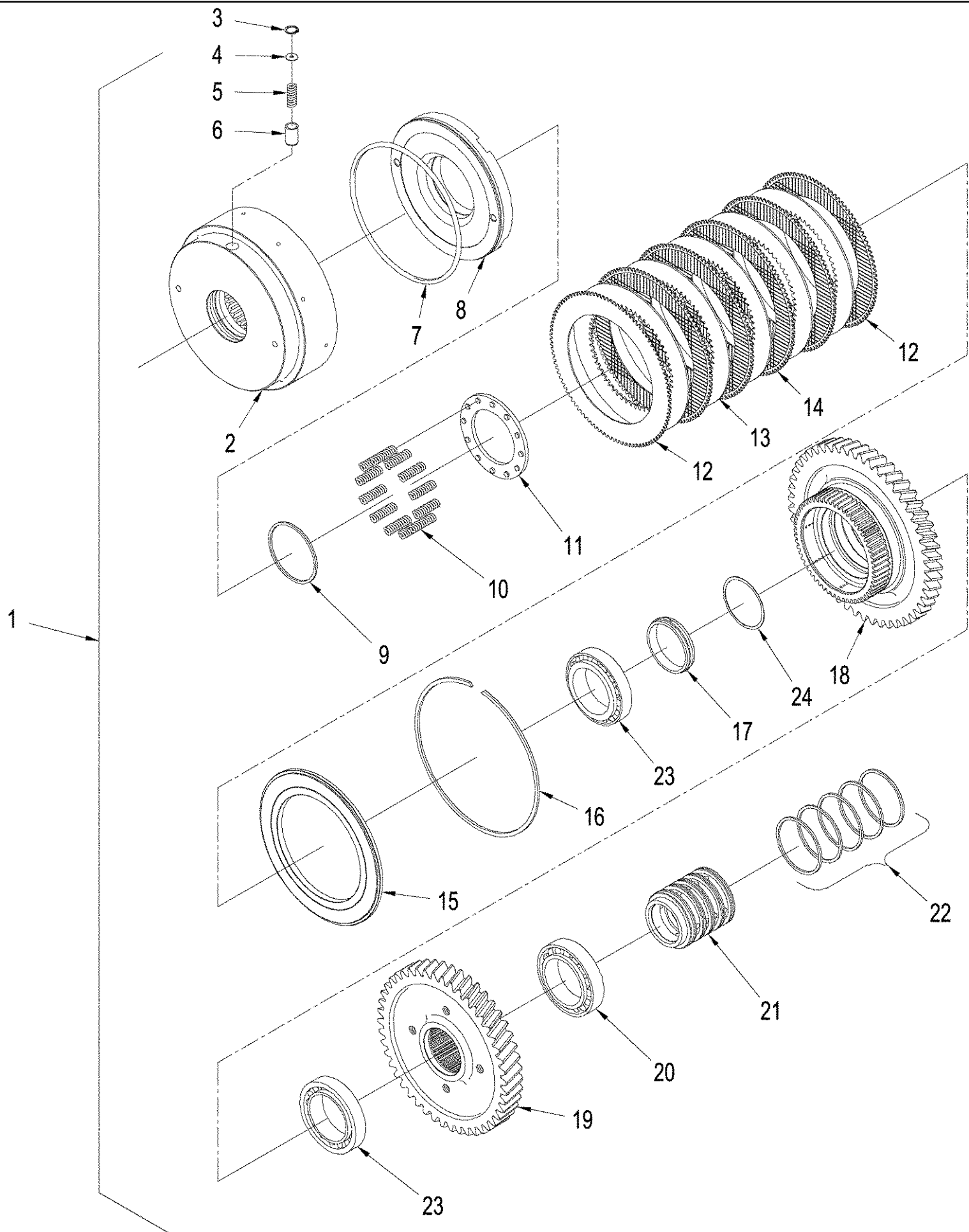
06-44 POWER SHIFT TRANSMISSION - INPUT SHAFT ASSY



06-44 POWER SHIFT TRANSMISSION - INPUT SHAFT ASSY

Ref	Part Number	Qty	Description
1	87350228	1	SHAFT, CLUTCH INPUT, 8C, (8" Yoke) Inc. 2 - 28, Also See Figure: 06-45, BSN Z6F202012
1	87552053	1	SHAFT, CLUTCH INPUT, 8C, (8" Yoke) Inc. 2 - 28, Also, See Figure: 06-45, ASN Z6F202012
1	87350227	1	SHAFT, CLUTCH INPUT, 8,5C, (8.5" Yoke) Inc. 2 - 28, Also See Figure: 06-45, BSN Z6F202012
1	87552050	1	SHAFT, CLUTCH INPUT, 8,5C, (8.5" Yoke) Inc. 2 - 28, Also See Figure: 06-45, ASN Z6F202012
2	352378A1	AR	SNAP RING, 2,5 mm
2	352394A1	AR	SNAP RING, 2,6 mm
2	352397A1	AR	SNAP RING, 2,7 mm
2	352400A1	AR	SNAP RING, 2,8 mm
2	352815A1	AR	SNAP RING, 2,9 mm
2	352816A1	AR	SNAP RING, 3,0 mm
3	428183A1	1	BEARING, Cone
4	E135785	4	BEARING, Roller
5	352818A1	AR	SHIM, 0,15 mm
5	352819A1	AR	SHIM, 0,18 mm
5	352820A1	AR	SHIM, 0,20 mm
5	352821A1	AR	SHIM, 0,25 mm
5	352822A1	AR	SHIM, 0,30 mm
5	352823A1	AR	SHIM, 0,50 mm
6	352825A1	1	SPACER,
7	87350229	1	GEAR, 1R
8	87350230	2	PLATE, Springs
9	362616A1	32	SPRING, Return
10	352829A1	2	SNAP RING,
11	87350231	2	PLATE, Clutch End, 8C
11	87431390	2	PLATE, Clutch End, 8,5C
12	352831A1	4	DISC, CLUTCH, Face, 7"
13	S2080S00F	AR	DISC, CLUTCH, 2,4 mm, If Used
13	S2090S00F	AR	DISC, CLUTCH, 2,1 mm, If Used.
14	352832A1	11-13	DISC, CLUTCH, Face, 7"
15	87350236	2	PISTON, 7"
16	87431391	2	RING, Seal
17	S2610S00F	2	RING, Piston
18	87350255	1	SHAFT, Drum, Input, 8C
18	87350251	1	SHAFT, Drum, Input, 8,5C
19	428163A1	1	SNAP RING, Retaining
20	353059A1	1	WASHER, THRUST,
21	87640391	2	BEARING, NEEDLE, Needle
22	87350258	1	GEAR, 1M
23	87350260	1	BEARING, NEEDLE, Cone
24	358866A1	1	SNAP RING,
25	358867A1	1	SPACER,
26	358908A1	1	WASHER, THRUST, Thrust
27	S14701960	1	BALL,
28	87431394	2	RING, Seal

06-45 POWER SHIFT TRANSMISSION - INPUT SHAFT ASSY

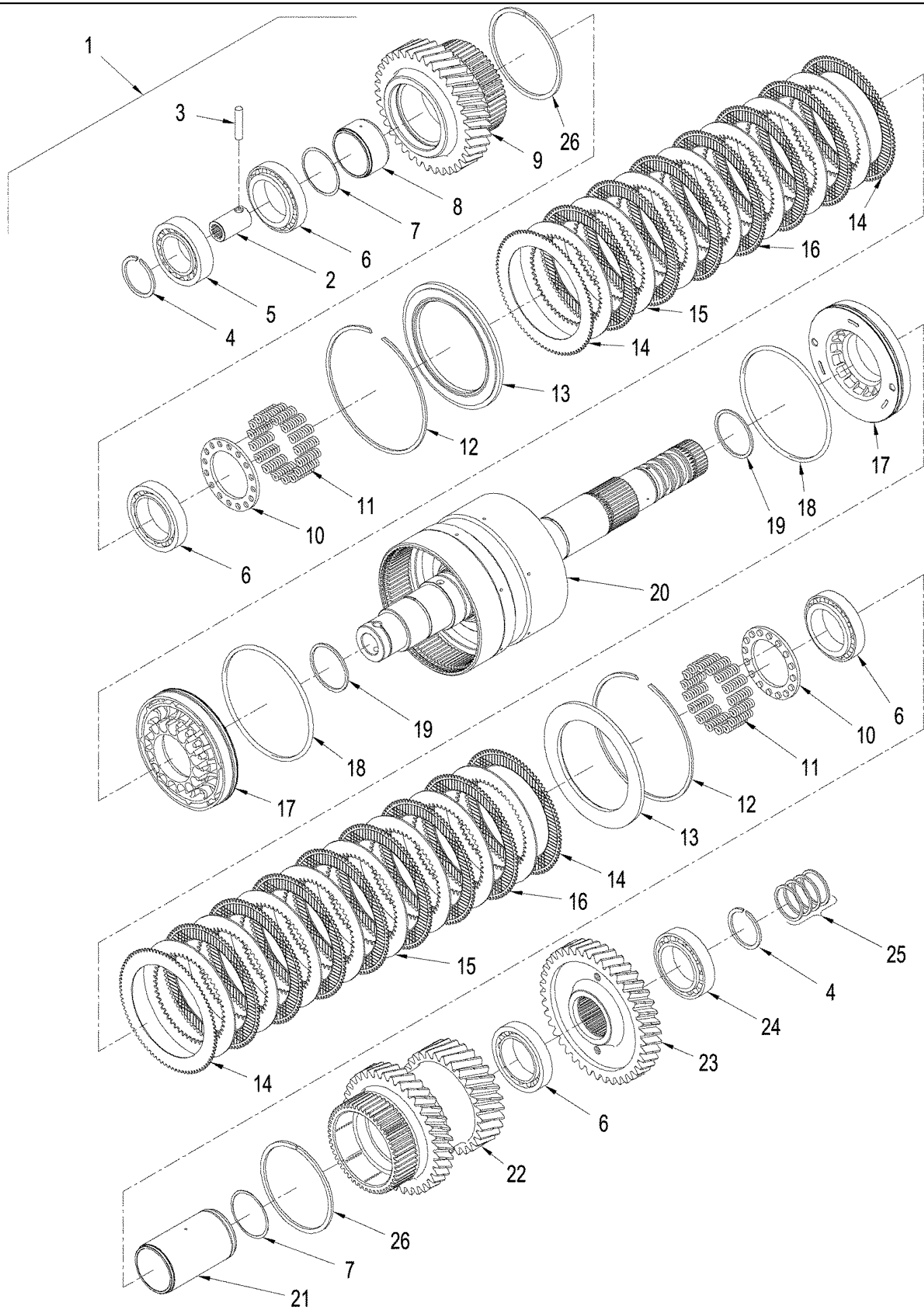


TJ530 TRACTOR (1/06-) - Power Train

06-45 POWER SHIFT TRANSMISSION - INPUT SHAFT ASSY

Ref	Part Number	Qty	Description
1	87350228	1	SHAFT, CLUTCH INPUT, 8C, (8" Yoke) Inc. 2 - 25, Also See Figure: 06-44, BSN Z6F202012
1	87552053	1	SHAFT, CLUTCH INPUT, 8C, (8" Yoke) Inc. 2 - 25, Also See Figure: 06-44, ASN Z6F202012
1	87350227	1	SHAFT, CLUTCH INPUT, 8,5C, (8.5" Yoke) Inc. 2 - 25, Also See Figure: 06-44, BSN Z6F202012
1	87552050	1	SHAFT, CLUTCH INPUT, 8,5C, (8.5" Yoke) Inc. 2 - 25, Also See Figure: 06-44, ASN Z6F202012
2	358918A1	1	DRUM, 1F, Clutch, BSN Z6F202012
2	87552054	1	DRUM, 1F, Clutch, ASN Z6F202012
3	86642451	1	CIRCLIP, Snap, BSN Z6F202012
4	S3220S00F	1	SHIM, 0,70 mm (0,028 in), BSN Z6F202012
5	S3210S00F	1	SPRING, , BSN Z6F202012
6	S3200S00F	1	VALVE, DRAIN, , BSN Z6F202012
7	87431393	1	RING, Seal, BSN Z6F202012
7	87431391	1	RING, Seal, ASN Z6F202012
8	358970A1	1	PISTON, , BSN Z6F202012
8	87552055	1	PISTON, , ASN Z6F202012
9	S5510S00F	1	RING,
10	358971A1	12	SPRING, Return, BSN Z6F202012
10	358971A1	20	SPRING, Return, ASN Z6F202012
11	358972A1	1	PLATE, Retaining, BSN Z6F202012
11	87552056	1	SPRING, Plate, ASN Z6F202012
12	370555A1	2	DISC, CLUTCH, Face
13	S4110S00F	5	DISC, CLUTCH, 2,1 mm
13	S4070S00F	5	DISC, CLUTCH, 2,4 mm
14	370556A1	4	DISC, CLUTCH, Face, 8
15	442803A1	1	PLATE, End
16	428108A1	1	SNAP RING,
17	359203A1	1	SPACER, 1F Bearing
18	359204A1	1	GEAR, 1F
19	87350261	1	GEAR, DRIVING,
20	533725R91	1	BEARING, Roller
21	359207A1	1	CARRIER, Seal
22	S4150S00F	5	RING, Seal
23	E135785	2	BEARING, Roller
24	352818A1	AR	SHIM, 0,15 mm
24	352819A1	AR	SHIM, 0,18 mm
24	352820A1	AR	SHIM, 0,20 mm
24	352821A1	AR	SHIM, 0,25 mm
24	352822A1	AR	SHIM, 0,30 mm
24	352823A1	AR	SHIM, 0,50 mm

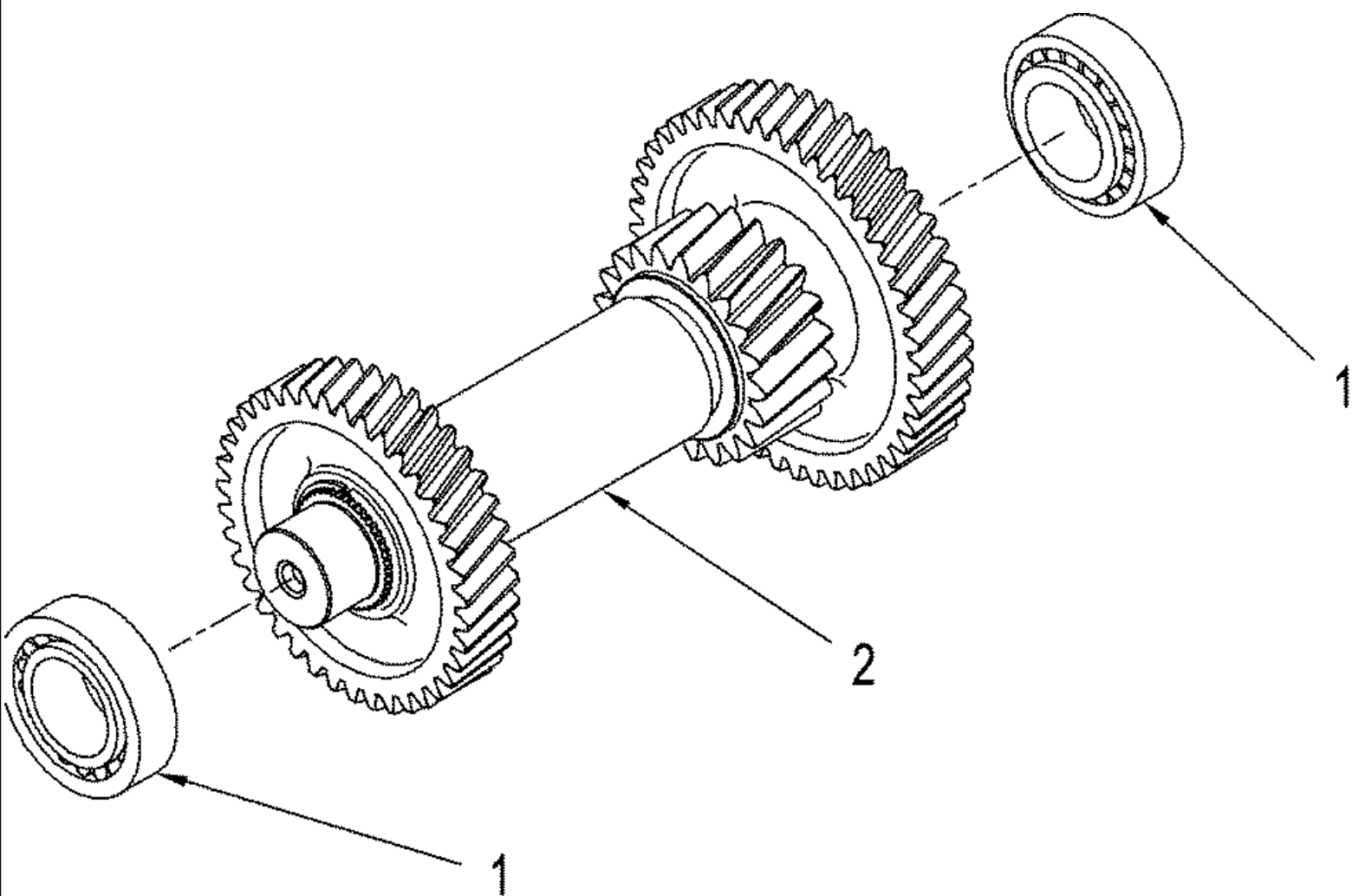
06-46 POWER SHIFT TRANSMISSION - SECOND SHAFT ASSY



TJ530 TRACTOR (1/06-) - Power Train

06-46 POWER SHIFT TRANSMISSION - SECOND SHAFT ASSY

Ref	Part Number	Qty	Description
1	87350268	1	SHAFT, CLUTCH INPUT, Second, 8C, Inc. 2 - 26
1	87350264	1	SHAFT, CLUTCH INPUT, Second, 8,5C, Inc. 2 - 26
2	428673A1	1	COUPLING, SPLINED,
3	428674A1	1	DOWEL, Dowel
4	352378A1	AR	SNAP RING, 2,5 mm
4	352394A1	AR	SNAP RING, 2,6 mm
4	352397A1	AR	SNAP RING, 2,7 mm
4	352400A1	AR	SNAP RING, 2,8 mm
4	352815A1	AR	SNAP RING, 2,9 mm
4	352816A1	AR	SNAP RING, 3,0 mm
5	428183A1	1	BEARING, Roller
6	E135785	4	BEARING, Roller
7	352818A1	AR	SHIM, 0,15 mm
7	352819A1	AR	SHIM, 0,18 mm
7	352820A1	AR	SHIM, 0,20 mm
7	352821A1	AR	SHIM, 0,25 mm
7	352822A1	AR	SHIM, 0,30 mm
7	352823A1	AR	SHIM, 0,50 mm
8	87350273	1	SPACER, Bearing
9	87350277	1	GEAR, 2R
10	87350230	2	PLATE, Spring
11	362616A1	32	SPRING, Return
12	352829A1	2	SNAP RING,
13	87350231	2	PLATE, Clutch End, 8C
13	87431390	2	PLATE, Clutch End, 8,5C
14	352831A1	4	DISC, CLUTCH, Face, 7"
15	S2080S00F	AR	DISC, CLUTCH, 2,4 mm, If Used
15	S2090S00F	AR	DISC, CLUTCH, 2,1 mm, If Used.
16	352832A1	11-13	DISC, CLUTCH, Face, 7"
17	87350236	2	PISTON, 7"
18	87431391	2	RING, Seal
19	S2610S00F	2	RING, Piston
20	87350301	1	SHAFT, Drum, 8C
20	87350293	1	SHAFT, Drum, 8,5C
21	87350305	1	SPACER, 2F Bearing
22	87350306	1	GEAR, 2M
23	87350307	1	GEAR, DRIVEN, Driven
24	359206A1	1	BEARING, ROLLER, TAPERED,
25	S3070S00F	4	RING, Seal
26	87431394	2	RING, Seal

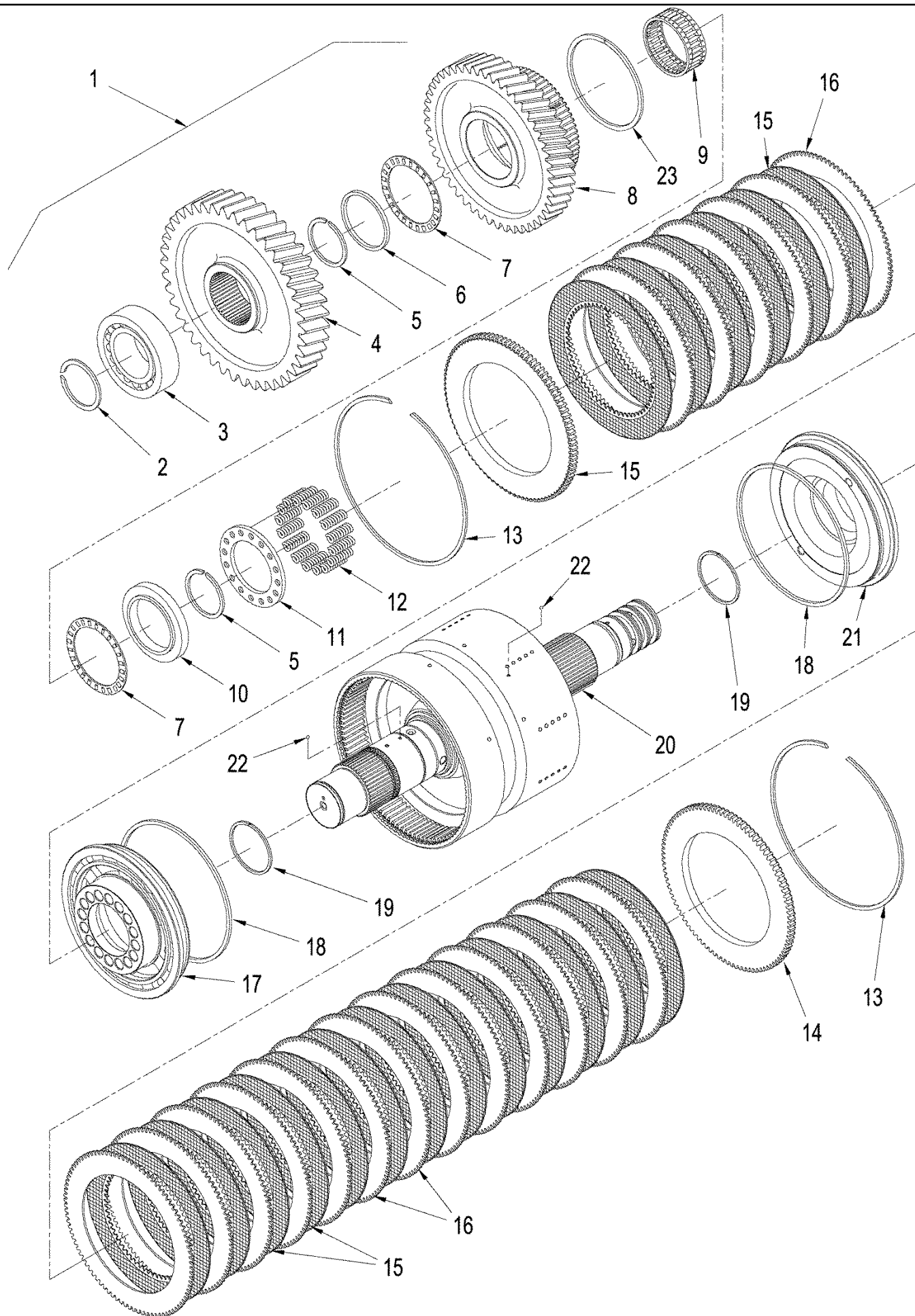


TJ530 TRACTOR (1/06-) - Power Train

06-47 POWER SHIFT TRANSMISSION - THIRD SHAFT ASSY

Ref	Part Number	Qty	Description
1	87431397	2	BEARING, Roller
2	87350476	1	SHAFT, GEAR, Third

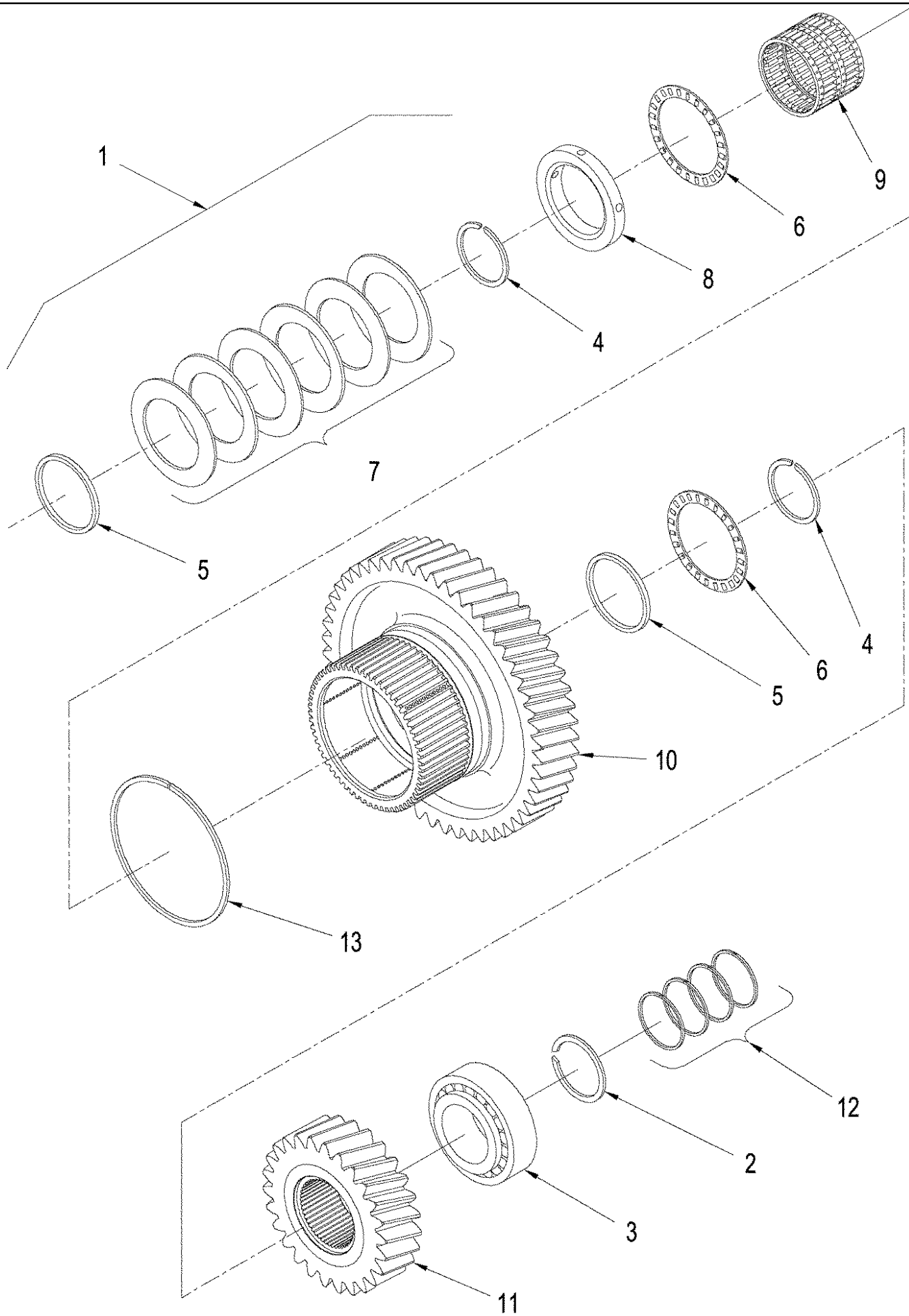
06-48 POWER SHIFT TRANSMISSION - FOURTH SHAFT ASSY



TJ530 TRACTOR (1/06-) - Power Train

06-48 POWER SHIFT TRANSMISSION - FOURTH SHAFT ASSY

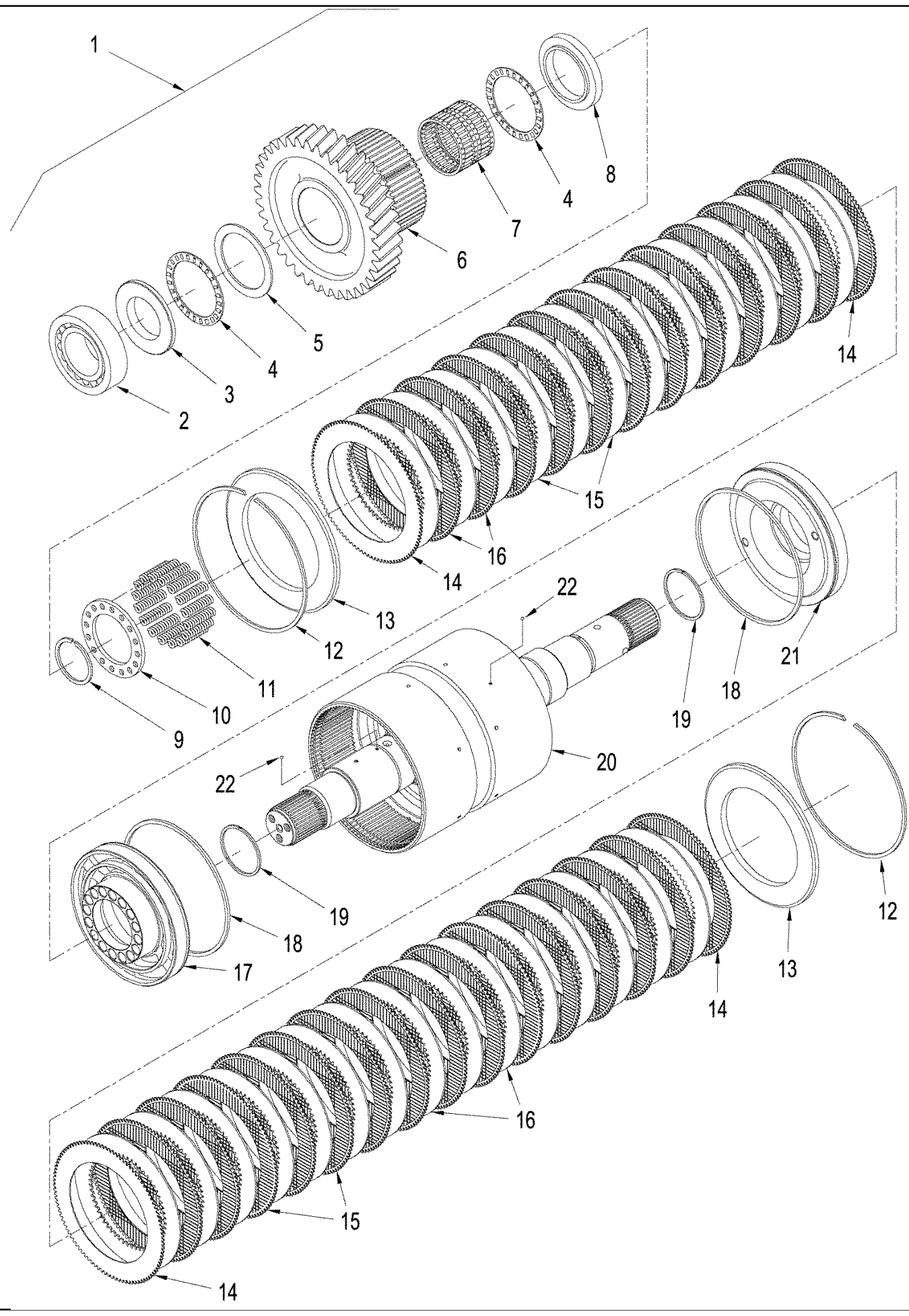
Ref	Part Number	Qty	Description
1	87350312	1	SHAFT, CLUTCH INPUT, Fourth, 8C, Inc. 2 - 23, Also See Figure: 06-49
1	87350309	1	SHAFT, CLUTCH INPUT, Fourth, 8,5C, Inc. 2 - 23, Also See Figure: 06-49
2	427674A1	AR	SHIM, Retaining, 2,50 mm
2	427675A1	AR	SHIM, Retaining, 2,60 mm
2	427676A1	AR	SHIM, Retaining, 2,70 mm
2	427678A1	AR	SHIM, Retaining, 2,80 mm
2	427679A1	AR	SHIM, Retaining, 2,90 mm
2	427680A1	AR	SHIM, Retaining, 3,00 mm
3	428675A1	2	BEARING, Roller
4	87350315	1	GEAR, DRIVING,
5	S5040S00F	4	RING, Retaining
6	362611A1	3	SPACER, Needle Bearing
7	87640391	4	BEARING, NEEDLE,
8	87350316	1	GEAR, DRIVEN,
9	87350319	1	BEARING, NEEDLE,
10	87350321	1	WASHER, THRUST,
11	362615A1	1	PLATE, Spring Retainer
12	362616A1	16	SPRING, Return
13	359235A1	2	SNAP RING,
14	87350325	2	PLATE, END, Clutch End, 8C
14	362617A1	2	PLATE, Clutch End, 8,5C
15	362618A1	19	DISC, CLUTCH, Face
16	362628A1	AR	DISC, CLUTCH, 2,4 mm, Steel, If Used
16	362629A1	AR	DISC, CLUTCH, 2,6 mm, Steel, If Used
17	364822A1	1	PISTON, 9" RR Clutch
18	87431400	2	RING, Seal
19	S4410S00F	2	RING, Seal
20	87350328	1	SHAFT, Drum, 8C
20	87350326	1	SHAFT, Drum, 8,5C
21	364825A1	1	PISTON, 9" FR Clutch
22	S14701960	2	BALL,
23	392073A1	2	SEALRING,



06-49 POWER SHIFT TRANSMISSION - FOURTH SHAFT ASSY

Ref	Part Number	Qty	Description
1	87350312	1	SHAFT, CLUTCH INPUT, Fourth, Inc. 1 - 12, Also See Figure: 06-48
1	87350309	1	SHAFT, CLUTCH INPUT, Fourth, Inc. 2 - 13, Also See Figure: 06-48
2	427674A1	AR	SHIM, Retaining, 2,50 mm
2	427675A1	AR	SHIM, Retaining, 2,60 mm
2	427676A1	AR	SHIM, Retaining, 2,70 mm
2	427678A1	AR	SHIM, Retaining, 2,80 mm
2	427679A1	AR	SHIM, Retaining, 2,90 mm
2	427680A1	AR	SHIM, Retaining, 3,00 mm
3	428675A1	2	BEARING, Roller
4	S5040S00F	4	RING, Retaining
5	362611A1	3	SPACER, Needle Bearing
6	87640391	4	BEARING, NEEDLE,
7	364826A1	6	PLATE, Spring
8	87350331	1	WASHER, THRUST,
9	S5070S00F	2	BEARING, NEEDLE,
10	87350334	1	GEAR, DRIVEN, 4F
11	87350339	1	GEAR, DRIVING, 4F
12	87431401	4	RING, Seal
13	392073A1	1	SEALRING,

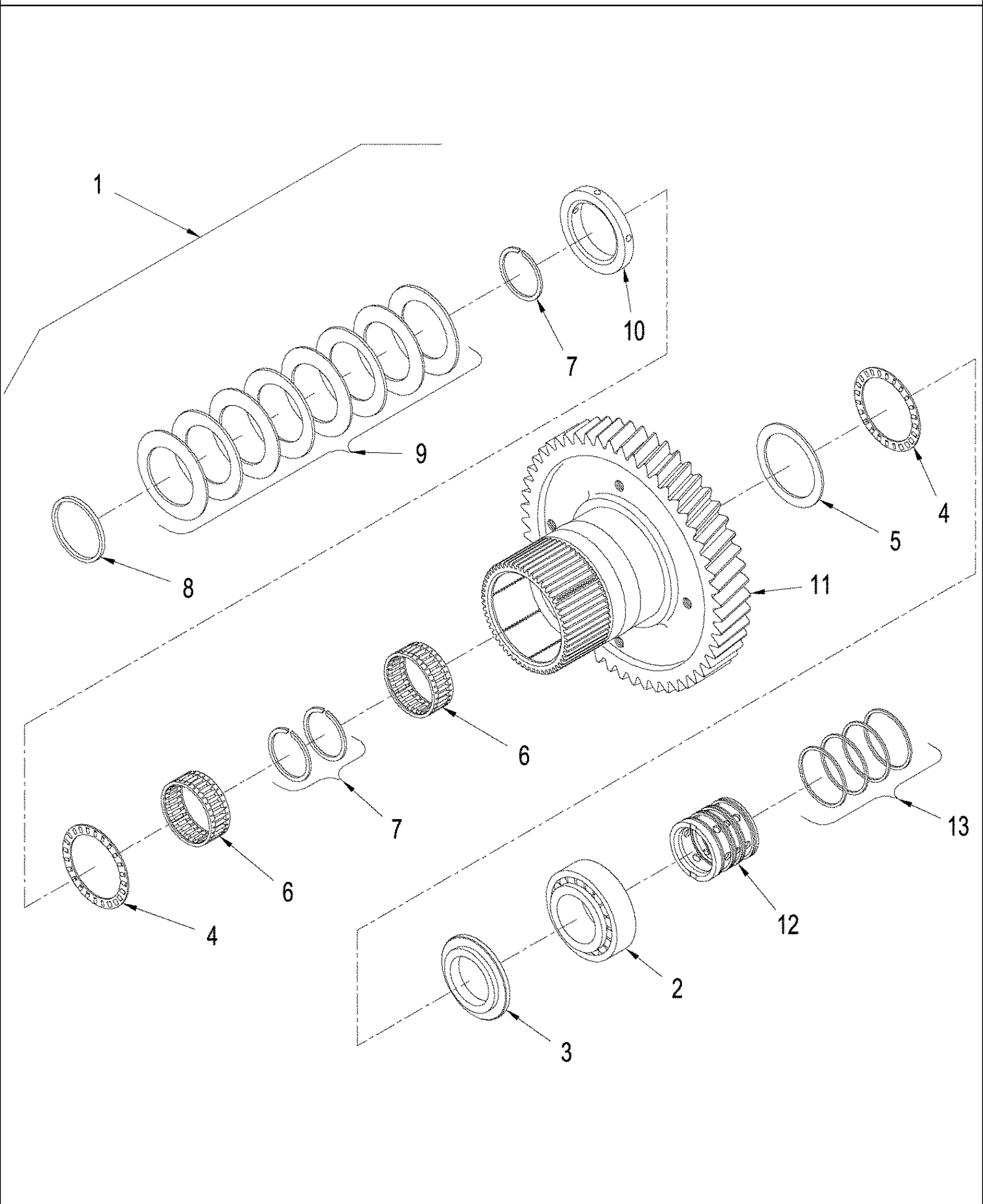
06-50 POWER SHIFT TRANSMISSION - FIFTH SHAFT ASSY



TJ530 TRACTOR (1/06-) - Power Train

06-50 POWER SHIFT TRANSMISSION - FIFTH SHAFT ASSY

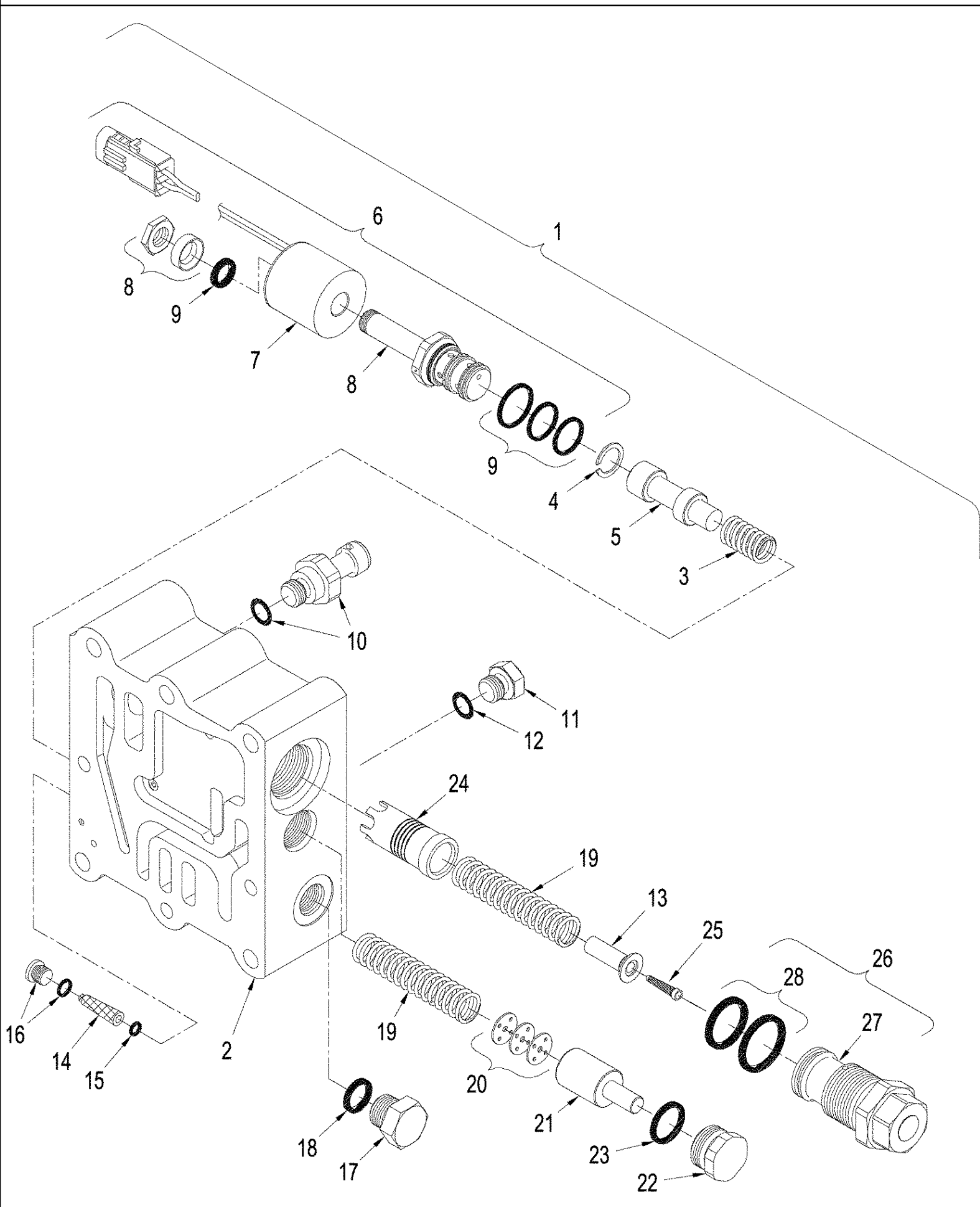
Ref	Part Number	Qty	Description
1	87350349	1	SHAFT, CLUTCH INPUT, Fifth, 8C, Inc. 2 - 22, Also See Figure: 06-51
1	87350342	1	SHAFT, CLUTCH INPUT, Fifth, 8,5C, 2 - 22, Also See Figure: 06-51
2	428675A1	1	BEARING, Taper
3	364831A1	1	WASHER, THRUST,
4	87640391	2	BEARING, NEEDLE, Needle
5	358908A1	1	WASHER, THRUST,
6	87350355	1	GEAR, DRIVEN, 5R
7	S5070S00F	1	BEARING, NEEDLE,
8	87350321	1	WASHER, THRUST,
9	S5040S00F	4	RING, Retaining
10	362615A1	1	PLATE, Spring Retaining
11	364833A1	16	SPRING, Return
12	428108A1	2	SNAP RING,
13	87350360	2	PLATE, 8C
13	370554A1	2	DISC, CLUTCH, 8,5C
14	370555A1	4	DISC, CLUTCH, Face
15	S4070S00F	AR	DISC, CLUTCH, 2,4 mm, If Used
15	S4110S00F	AR	DISC, CLUTCH, 2,1 mm, If Used
16	370556A1	25	DISC, CLUTCH, 8", Face
17	370558A1	1	PISTON, 8" RR Clutch
18	87431400	2	RING, Seal
19	S4410S00F	2	RING, Piston
20	87350368	1	SHAFT, Drum, 8C
20	87350363	1	SHAFT, Drum, 8,5C
21	370562A1	1	PISTON, 8" FR Clutch
22	S14701960	2	BALL,



TJ530 TRACTOR (1/06-) - Power Train

06-51 POWER SHIFT TRANSMISSION - FIFTH SHAFT ASSY

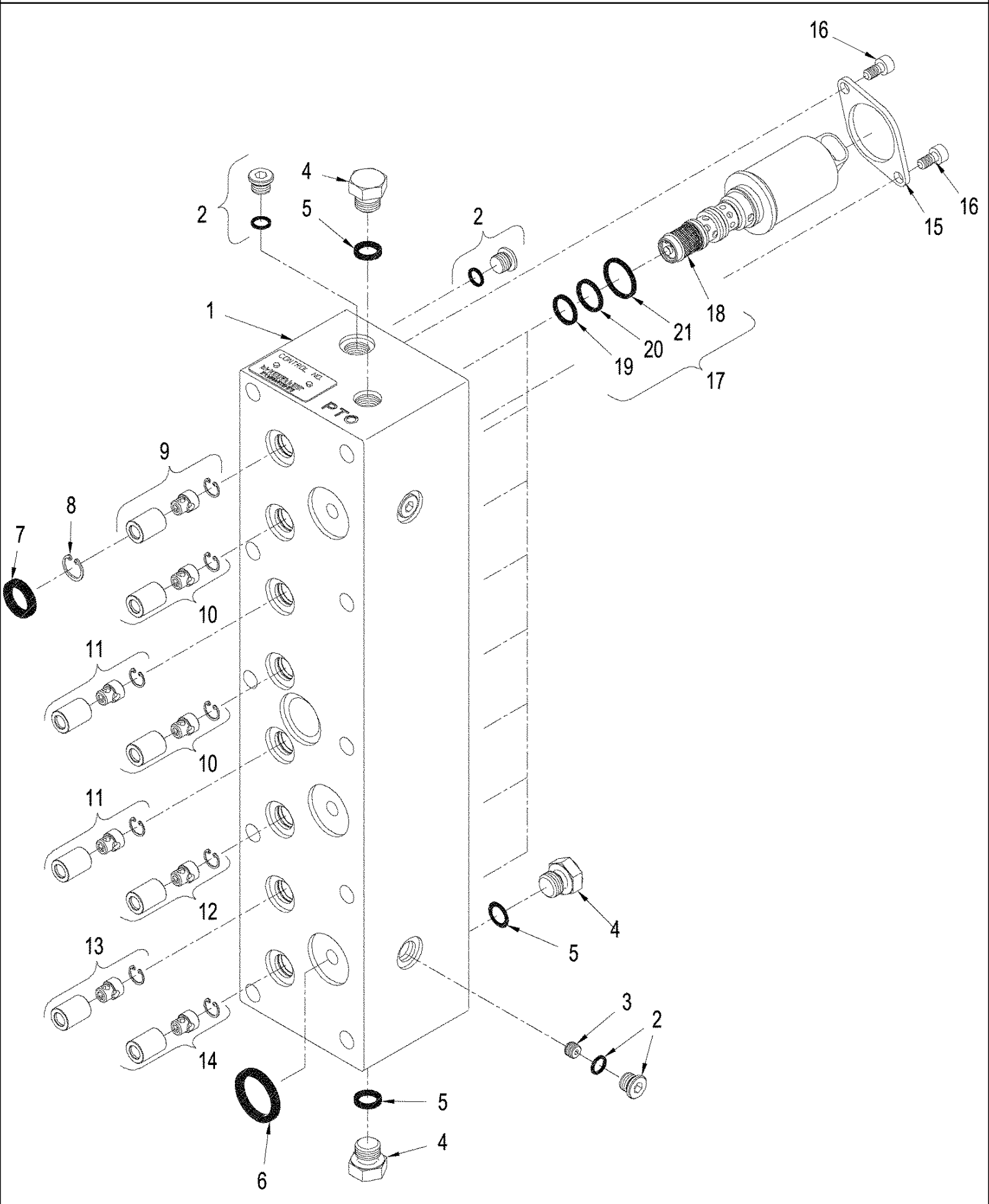
Ref	Part Number	Qty	Description
1	87350349	1	SHAFT, CLUTCH INPUT, Fifth, 8C, Inc. 2 - 13, Also See Figure: 06-50
1	87350342	1	SHAFT, CLUTCH INPUT, Fifth, 8,5C, Inc. 2 - 13, Also See Figure: 06-50
2	428675A1	1	BEARING, Roller
3	364831A1	1	WASHER, THRUST,
4	87640391	2	BEARING, NEEDLE,
5	358908A1	1	WASHER, THRUST,
6	S5070S00F	1	BEARING, NEEDLE,
7	S5040S00F	4	RING, Retaining
8	362611A1	1	SPACER, Needle Bearing
9	364826A1	8	PLATE, Spring
10	87350331	1	WASHER, THRUST,
11	87350374	1	GEAR, DRIVEN, 5F
12	370568A1	1	CARRIER, Piston
13	S4150S00F	4	RING, Seal



TJ530 TRACTOR (1/06-) - Power Train

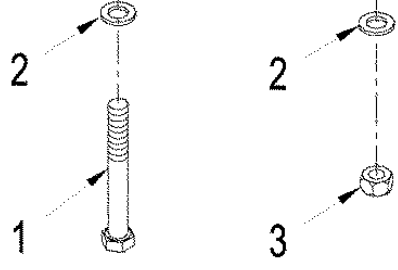
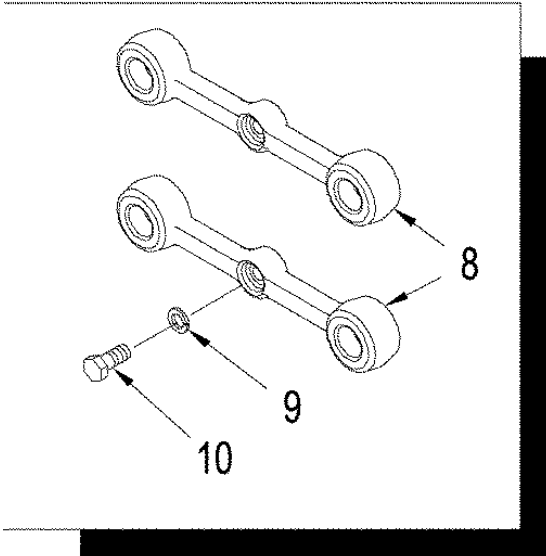
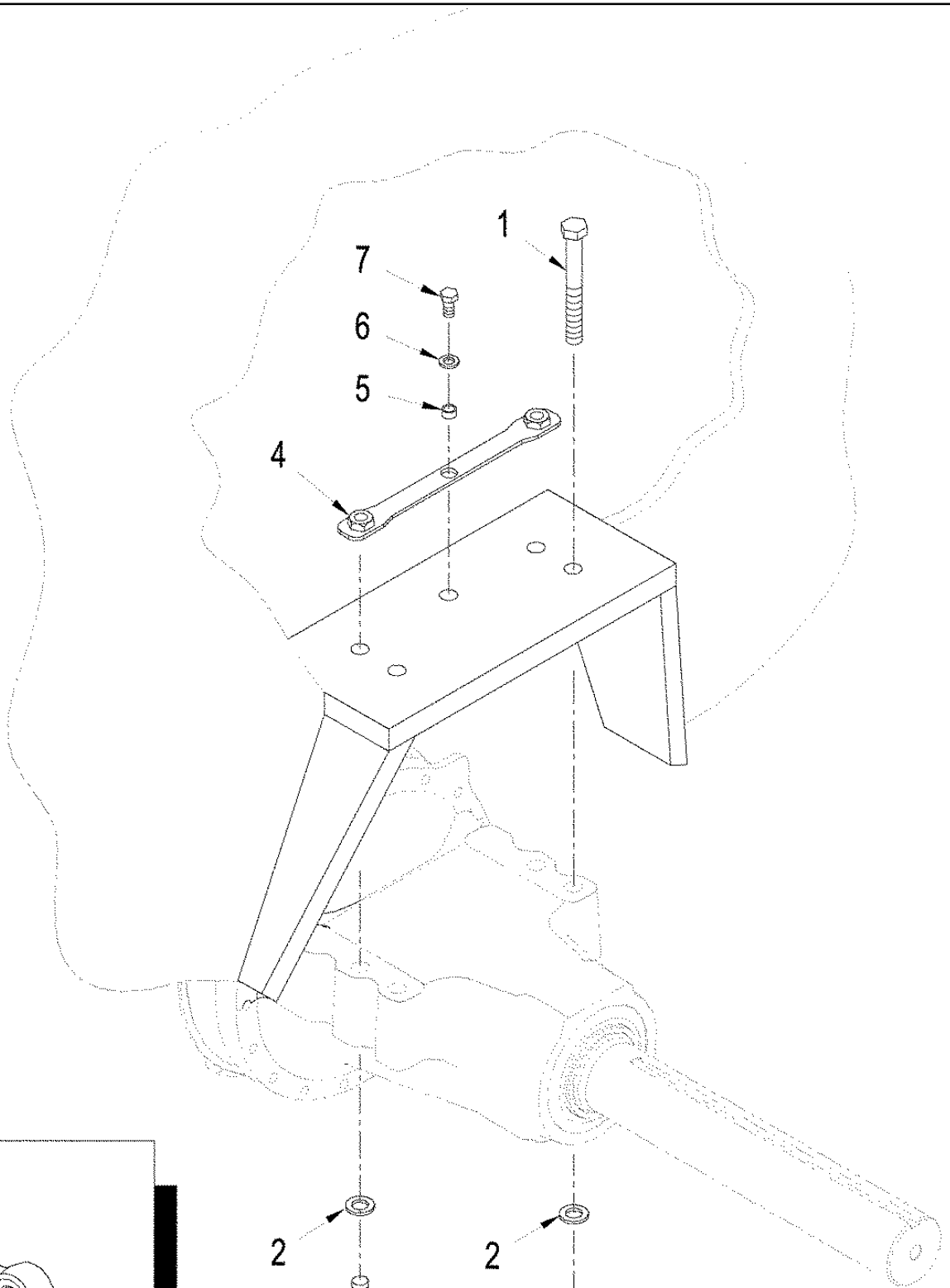
06-52 POWER SHIFT TRANSMISSION - REGULATOR VALVE ASSY

Ref	Part Number	Qty	Description
1	87350388	1	VALVE, Regulator, Inc. 2 - 26
2	NSS	1	NOT SERVICED SEPARATELY, Body, Valve
3	370596A1	1	SPRING,
4	428679A1	1	SNAP RING,
5	370597A1	1	SPOOL,
6	371737A1	1	VALVE, SOLENOID, 3-way, Inc. 7 - 9
7	371739A1	2	COIL, 3-Way Solenoid
8	NSS	1	NOT SERVICED SEPARATELY, Pilot Assy.
9	371738A1	1	KIT, O-Ring
10	404450A1	1	SENSOR, Pressure
11	220064A1	1	PLUG, M14 x 1.5, ORB, Inc. 12
12	86639042	1	O-RING, CI 6, 11.3MM ID x 2.2 Thk,
13	87350417	1	COVER, FILTER, Relief
14	87408714	1	FILTER, Conical
15	428676A1	1	O-RING,
16	428678A1	1	PLUG, Inc. O-Ring
17	220066A1	1	PLUG, M18 x 1.5, ORB, Inc. 18
18	86639043	1	O-RING,
19	398443A1	2	SPRING,
20	398445A1	AR	SHIM,
21	398444A1	1	VALVE, Lube Spool
22	87431407	1	PLUG, Inc. 23
23	87431408	1	O-RING,
24	87350419	1	SPOOL, Main Pressure
25	87362229	1	SCREEN, FILTER,
26	87350395	1	VALVE, PILOT, Assy., Inc. 27 - 28
27	NSS	1	NOT SERVICED SEPARATELY, Valve, Pilot
28	87350407	1	KIT, O-Ring



06-53 POWER SHIFT TRANSMISSION - RANGE SELECTOR VALVE

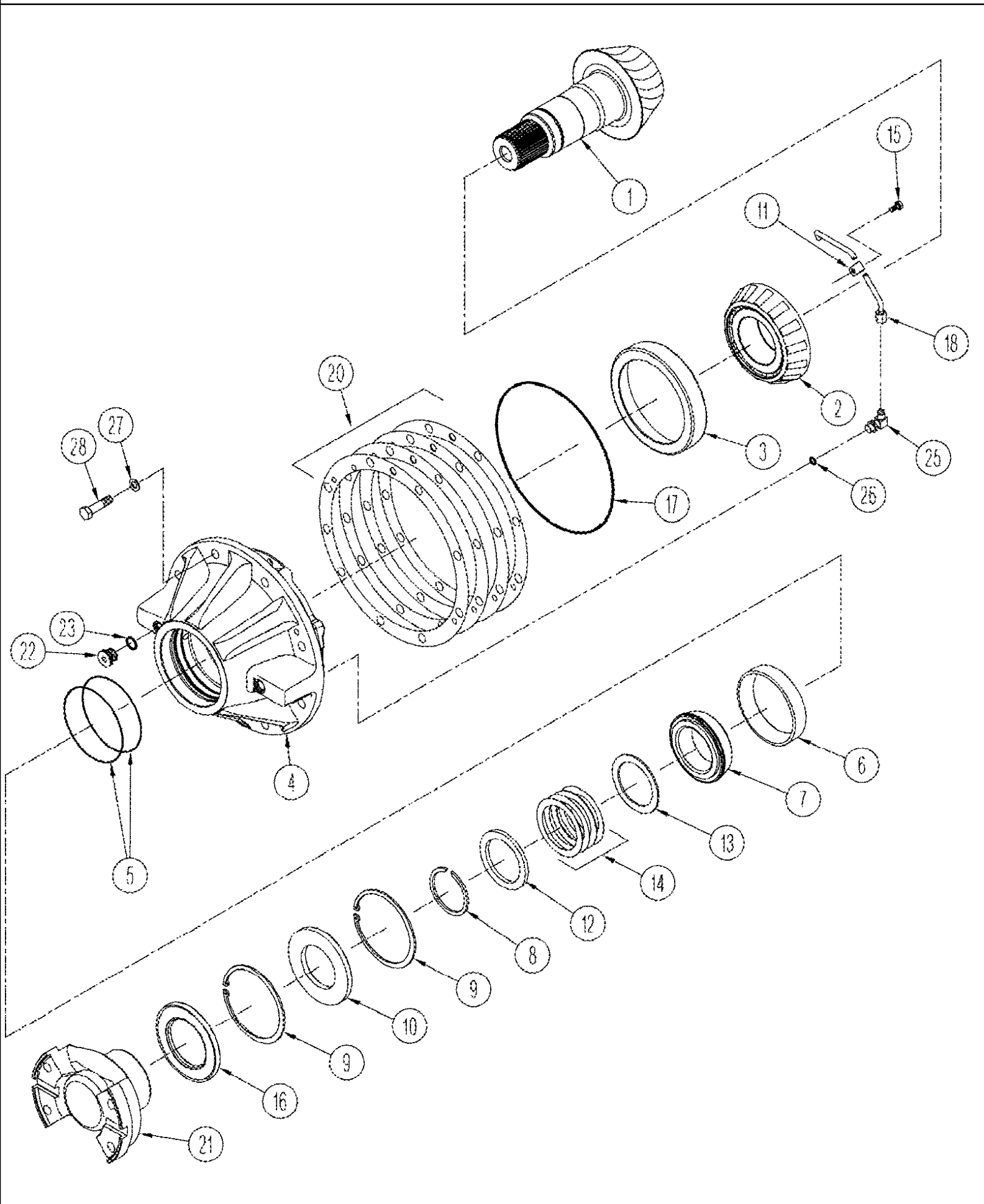
Ref	Part Number	Qty	Description
	87350421	1	VALVE, Range Selector, Inc. 1 - 17
1	NSS	1	NOT SERVICED SEPARATELY, Body, Valve
2	87350425	7	PLUG, STOP,
3	87350428	2	ORIFICE, Orifice
4	220064A1	10	PLUG, M14 x 1.5, ORB, M14 - 1,5, Inc. 5
5	86639042	1	O-RING, CI 6, 11.3MM ID x 2.2 Thk,
6	238-5214	4	O-RING, -214, 70 Duro, .984" ID x .139" Thk,
7	238-5208	8	O-RING, -208, 70 Duro, .609" ID x .139" Thk,
8	100-2156	8	RING, SNAP, 0.562", Int, #56,
9	87350429	1	VALVE, CHECK, Check, 3,45 mm
10	87350431	2	VALVE, CHECK, Check, 2,51 mm
11	87350432	2	VALVE, CHECK, Check, 2,36 mm
12	87350433	1	VALVE, CHECK, Check, 2,82 mm
13	87350434	1	VALVE, CHECK, Check, 5,54 mm
14	87350435	1	VALVE, CHECK, Check, 4,80 mm
15	87350463	8	PLATE, Valve Retainer
16	864-6012	16	SCREW, Hex Soc Hd, M6 x 12, 8.8,
17	87357396	8	VALVE, SOLENOID, PWM Solenoid, 18 - 21
18	NSS	1	NOT SERVICED SEPARATELY, Body, Valve
19	87014033	1	O-RING, -019, CI 7, .801" ID x .070" Thk,
20	238-7016	1	O-RING, -016, CI 7, .614" ID x .070" Thk,
21	238-7015	1	O-RING, -015, CI 7, .551" ID x .070" Thk,



TJ530 TRACTOR (1/06-) - Power Train

06-54 AXLE MOUNTING

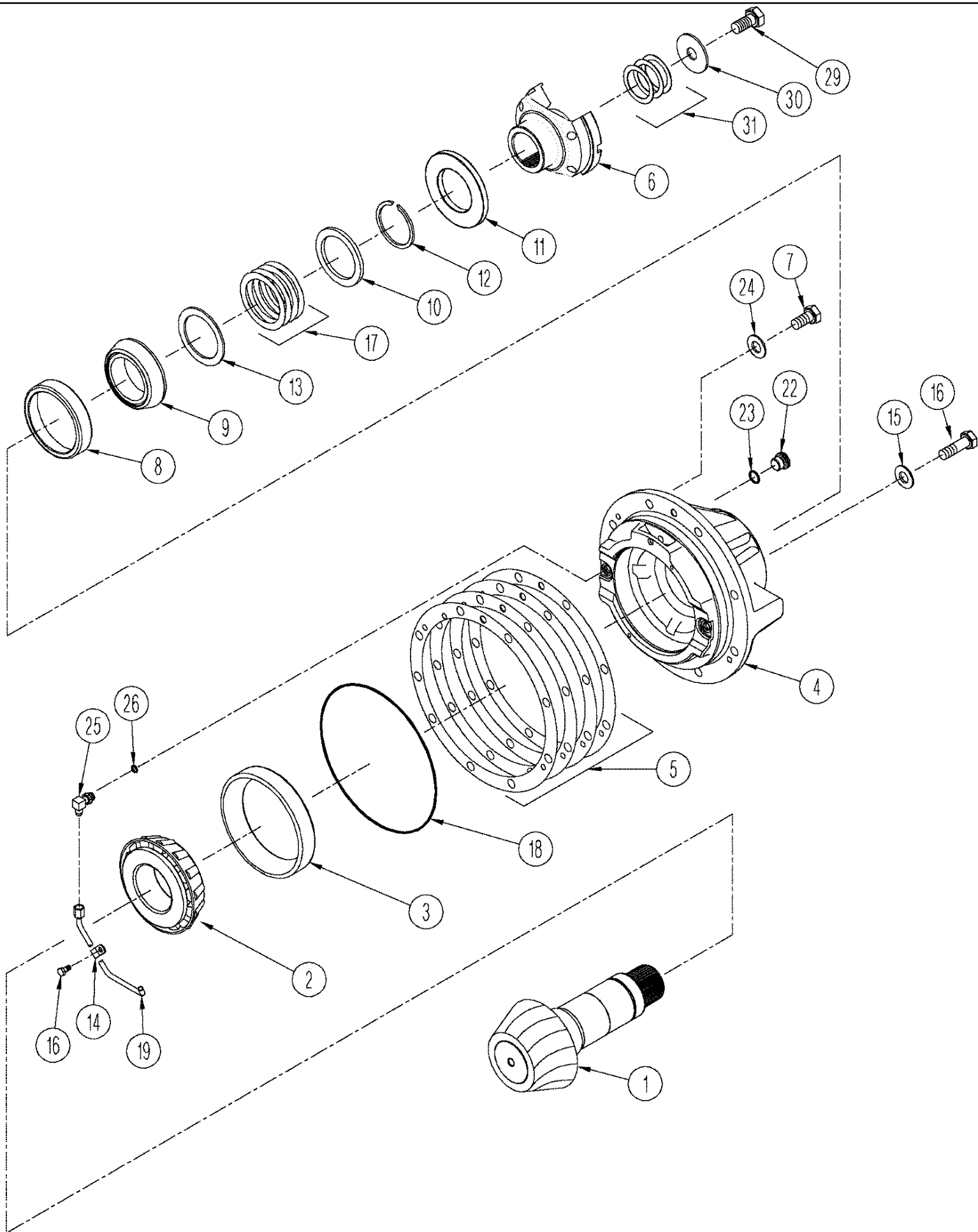
Ref	Part Number	Qty	Description
1	86528190	1	BOLT, Hex, M24 x 200, 10.9, , with 450 Series Axle
1	86639187	1	BOLT, Hex, M24 x 270, 10.9, , with 500 Series Axle
2	86639319	8	WASHER, 26 x 44 x 5 mm
3	9848973	AR	NUT, M24, CI 10, (4) Rear Axle and (8) Front Axle
4	296050A1	2	PLATE, Mounting, Rear Axle
5	435501A1	2	SPACER,
6	86625266	2	WASHER, M17.5 x 30 x 4, HT,
7	86508623	2	BOLT, Hex, M16 x 30, 10.9, Full Thd,
8	316659A1	2	PLATE, SPACER, Rear Axle, with 450 Series Axle
9	412123	2	WASHER, LOCK, M12, , with 450 Series Axle
10	337563	2	BOLT, Hex, M12 x 40, 10.9, Full Thd, , with 450 Series Axle



TJ530 TRACTOR (1/06-) - Power Train

06-62 500 SERIES AXLE ASSY - FRONT COVER

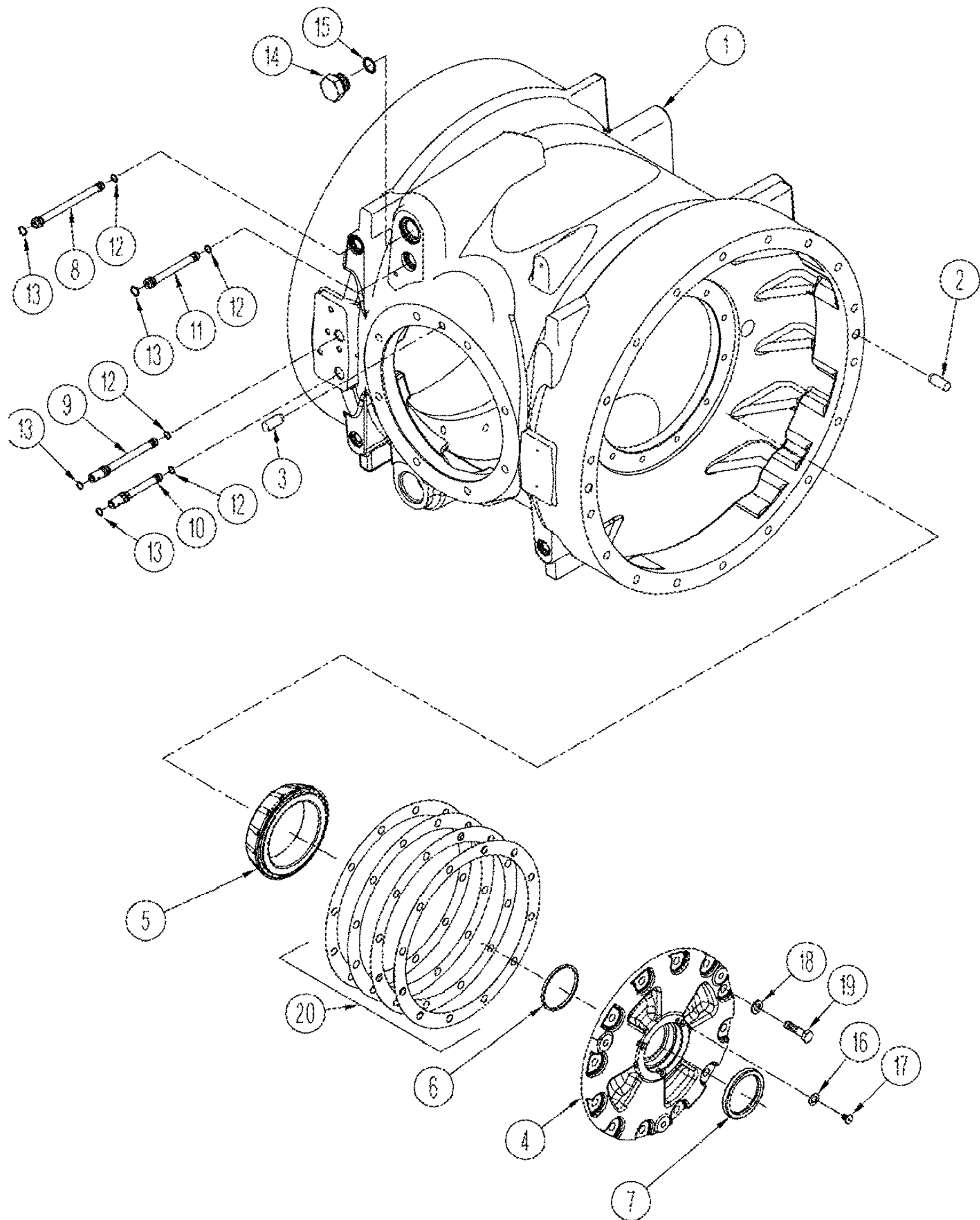
Ref	Part Number	Qty	Description
	87522606	1	GEAR SET, Pinion Shaft and Gears, Inc. 1, See Figure(s) : 06-65 & 06-66
1	NSS	1	NOT SERVICED SEPARATELY, Shaft, Pinion
2	248118A1	1	BEARING, CONE,
3	248114A1	1	BEARING SET,
4	328421A5	1	COVER, Front Axle
5	14458081	1	O-RING, -122, CI 7, 1.112" ID x .103" Thk,
6	191440A1	1	BEARING, CUP,
7	67190R91	1	BEARING, CONE,
8	229515A1	1	SNAP RING, Retaining, M4
9	86534066	2	RING, SNAP, 5.50", Int, #550,
10	87432424	1	SEAL, Pinion, Input Shaft
11	853764	1	CLAMP, 5/16", Insul, 5/16" Bolt,
12	228968A2	1	SPACER, Thick
13	191713A1	1	SPACER, Thin
14	191709A1	AR	SHIM, 0,076 mm
14	191711A1	AR	SHIM, 0,101 mm
14	191712A1	AR	SHIM, 0.130 mm
14	220785A1	AR	SHIM, 0,508 mm
15	43232	1	SCREW,
16	284186A1	1	SEAL,
17	86625090	1	O-RING, -276, 70 Duro, 10.984" ID x .139" Thk,
18	284180A1	1	PIPE, Lubrication
19	9617873	2	O-RING, 6-1, 90 Duro, .468" ID x .078" Thk, Not Illustrated
20	279714A4	AR	SHIM, 0,076 mm
20	279715A4	AR	SHIM, 0,101 mm
20	279716A4	AR	SHIM, 0,130 mm
20	279717A4	AR	SHIM, 0,508 mm
21	284184A1	1	YOKE, 8,5 C
22	221578A1	1	PLUG, Hex Soc, M18 x 1.5, ORB, Inc. 23
23	86639043	1	O-RING, 15.3 ID x 2.2 W
24	9625178	1	PLUG, Hex Soc, 9/16"-18 ORB, Not Illustrated
25	86985636	1	ELBOW, Orificed, 5/16 x 3/8, Inc. 26
26	9617873	1	O-RING, 6-1, 90 Duro, .468" ID x .078" Thk,
27	86639323	8	WASHER, M17.5 x 30 x 4, HT,
28	9843611	8	BOLT, Hex, M16 x 55, 10.9, Full Thd,
29	221578A1	1	PLUG, Hex Soc, M18 x 1.5, ORB, Inc. 30, Not Illustrated
30	86639043	1	O-RING, 15.3 ID x 2.2 W



TJ530 TRACTOR (1/06-) - Power Train

06-63 500 SERIES AXLE ASSY - REAR COVER

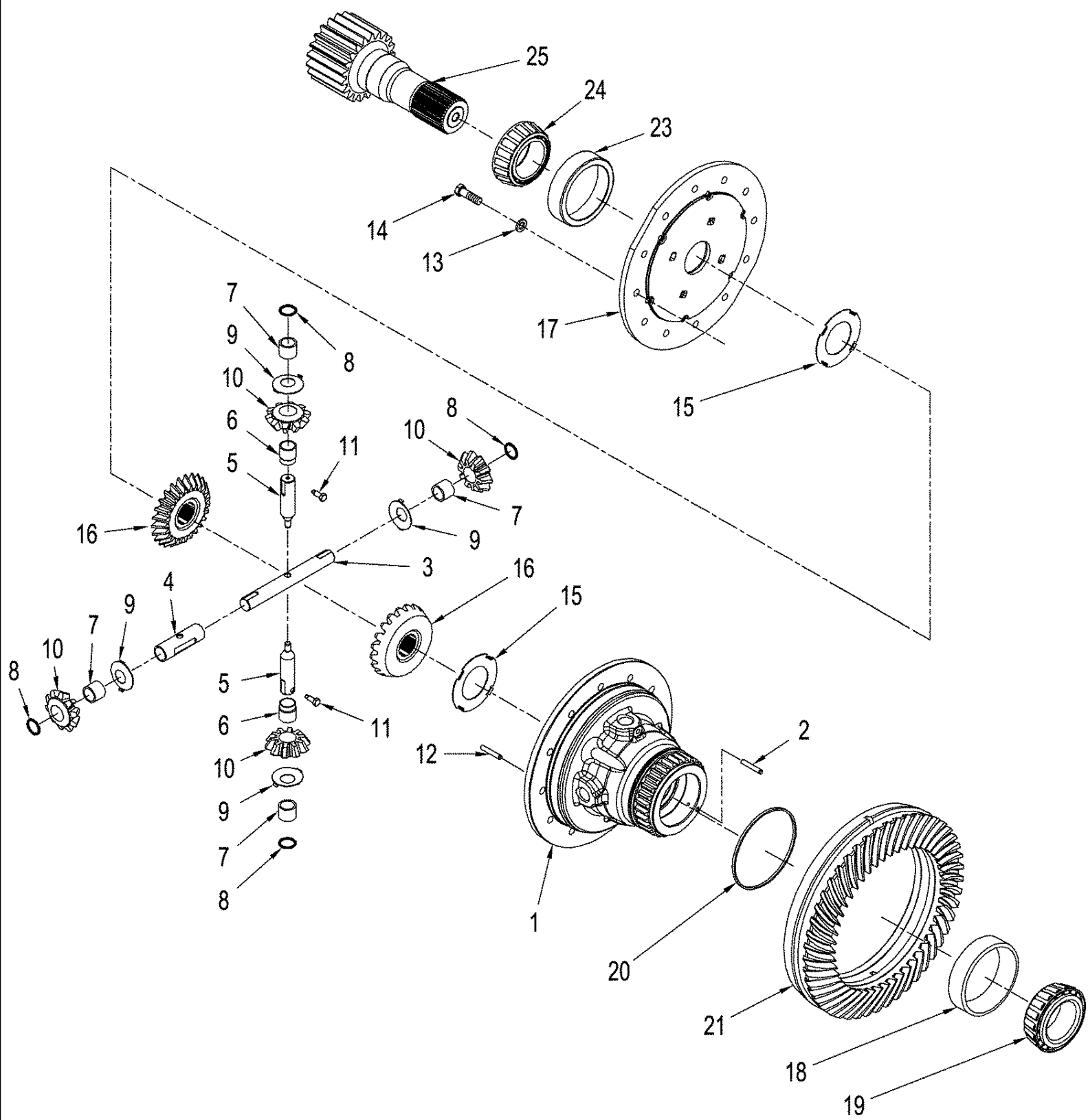
Ref	Part Number	Qty	Description
	87522604	1	GEAR SET, Set, Pinion Shaft and Gears, Inc. 1, See Figure(s) : 06-65 & 06-66
1	NSS	1	NOT SERVICED SEPARATELY, Shaft, Pinion
2	248118A1	1	BEARING, CONE,
3	248114A1	1	BEARING SET,
4	328422A5	1	COVER, Rear Axle
5	279714A4	AR	SHIM, 0,076 mm
5	279715A4	AR	SHIM, 0,101 mm
5	279716A4	AR	SHIM, 0,130 mm
5	279717A4	AR	SHIM, 0,508 mm
6	284185A1	1	YOKE, 8,5 C
7	9843611	8	BOLT, Hex, M16 x 55, 10.9, Full Thd,
8	191440A1	1	BEARING, CUP,
9	67190R91	1	BEARING, CONE,
10	228968A2	1	SPACER, Thick
11	87432424	1	SEAL, Oil, Pinion Input Shaft
12	229515A1	1	SNAP RING, Retaining, M4
13	191713A1	1	SPACER, Thin
14	853764	1	CLAMP, 5/16", Insul, 5/16" Bolt,
15	86639333	3	WASHER, 5/16",
16	43232	4	SCREW,
17	191709A1	1	SHIM, 0,076 mm
17	191711A1	1	SHIM, 0,101 mm
17	191712A1	1	SHIM, 0,130 mm
17	220785A1	1	SHIM, 0,508 mm
18	86625090	1	O-RING, -276, 70 Duro, 10.984" ID x .139" Thk,
19	313377A1	1	PIPE, Lubrication
20	221578A1	1	PLUG, Hex Soc, M18 x 1.5, ORB, Inc. 21, Not Illustrated
21	86639043	1	O-RING, 15.3 ID x 2.2
22	9625178	1	PLUG, Hex Soc, 9/16"-18 ORB, Not Illustrated, Inc. 28
24	86639323	8	WASHER, M17.5 x 30 x 4, HT,
25	86985636	1	ELBOW, Orficed, 5/16 x 3/8, Inc. 26
26	9617873	1	O-RING, 6-1, 90 Duro, .468" ID x .078" Thk,
27	9625178	1	PLUG, Hex Soc, 9/16"-18 ORB, Not Illustrated, Inc. 28
29	9780064	1	BOLT, Hex, M24 x 110, 10.9,
30	228967A2	1	WASHER, Retaining
31	178545A1	AR	SHIM, 0,076 mm
31	178546A1	AR	SHIM, 0,101 mm
31	178547A1	AR	SHIM, 0,130 mm
31	220779A1	AR	SHIM, 0,508 mm
23	9993141	1	O-RING, -012, 90 Duro, .364" ID x .070" Thk,
28	9993141	1	O-RING, -012, 90 Duro, .364" ID x .070" Thk,



TJ530 TRACTOR (1/06-) - Power Train

06-64 500 SERIES AXLE ASSY - CENTER AND LEFT-HAND CARRIER

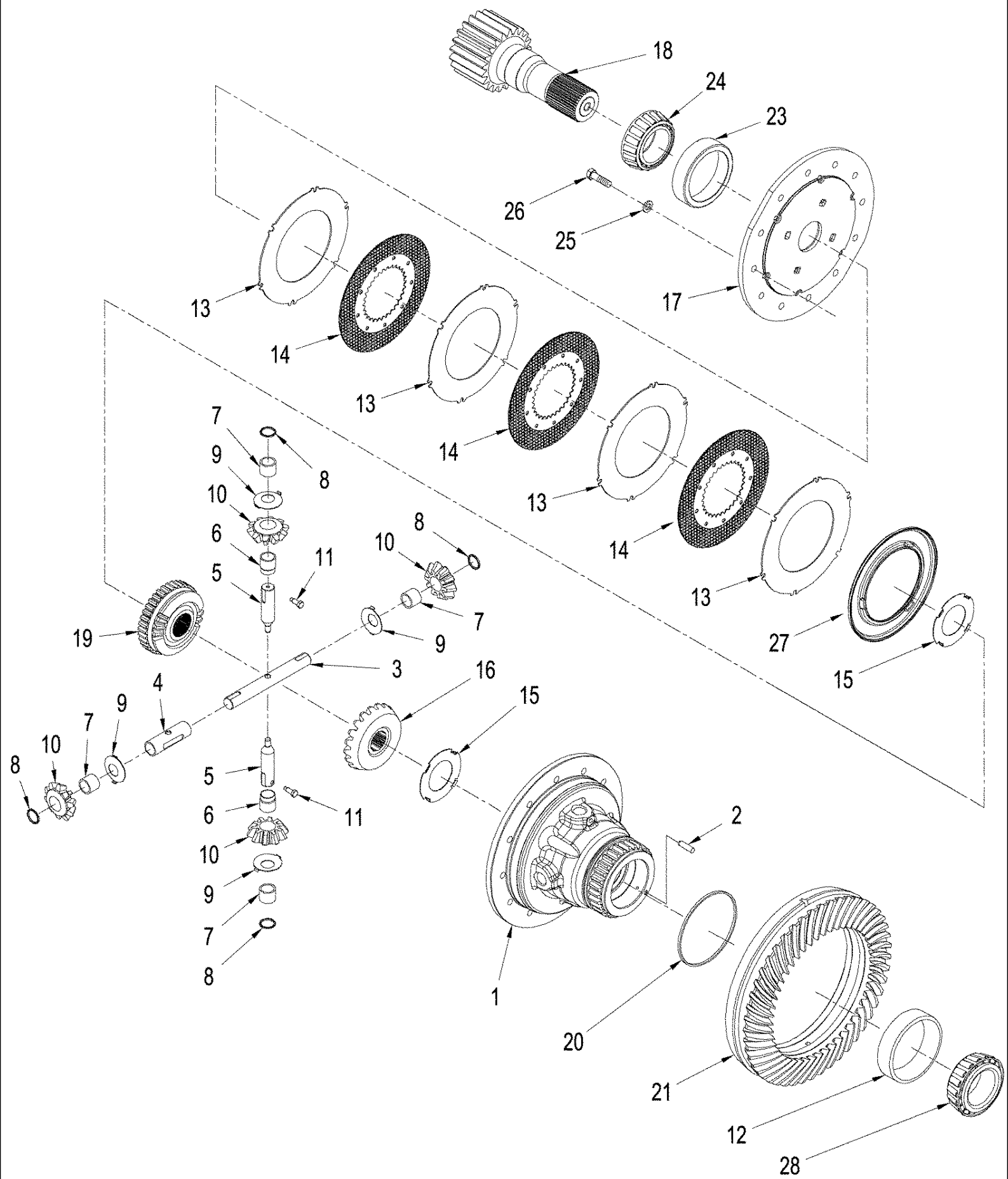
Ref	Part Number	Qty	Description
	87402395	1	HOUSING, AXLE, Assy., Center. Inc. 1 - 3
1	NSS	1	NOT SERVICED SEPARATELY, Housing, Center
2	86639248	6	DOWEL, M16 x 40,
3	86639247	1	DOWEL, M12 x 25,
4	369765A1	1	CARRIER, BEARING,
5	253932A1	1	BEARING, CONE,
6	139060C2	1	RING,
7	139059C1	1	SEAL,
8	284188A1	1	TUBE, Jumper, Service Brake
9	86985628	1	TUBE, Jumper, Lubrication
10	86985628	1	TUBE, Jumper, Lubrication
11	298567A1	1	TUBE, Jumper, Park Brake
12	272217	4	O-RING, -013, 90 Duro, .426" ID x .070" Thk,
13	165212	4	O-RING, -015, 90 Duro, .551" ID x .070" Thk,
14	220069A1	1	PLUG, M33 x 2, ORB, Inc. 15
15	86639046	1	O-RING, CI 6, 29.6MM ID x 2.9 Thk,
16	86639334	3	WASHER, 33/64" x 7/8" x .049",
17	86639264	3	SCREW, Hex Flat Hd, M8 x 12, 4.8,
18	86639321	12	WASHER, 13.5 x 24 x 3 mm
19	412087	12	BOLT, Hex, M12 x 45, 10.9, Full Thd,
20	255121A1	AR	SHIM, 0,076 mm
20	255122A1	AR	SHIM, 0,101 mm
20	255123A1	AR	SHIM, 0,130 mm
20	255124A1	AR	SHIM, 0,508 mm



TJ530 TRACTOR (1/06-) - Power Train

06-65 500 SERIES AXLE ASSY - DIFFERENTIAL, WITHOUT DIFFERENTIAL LOCKS

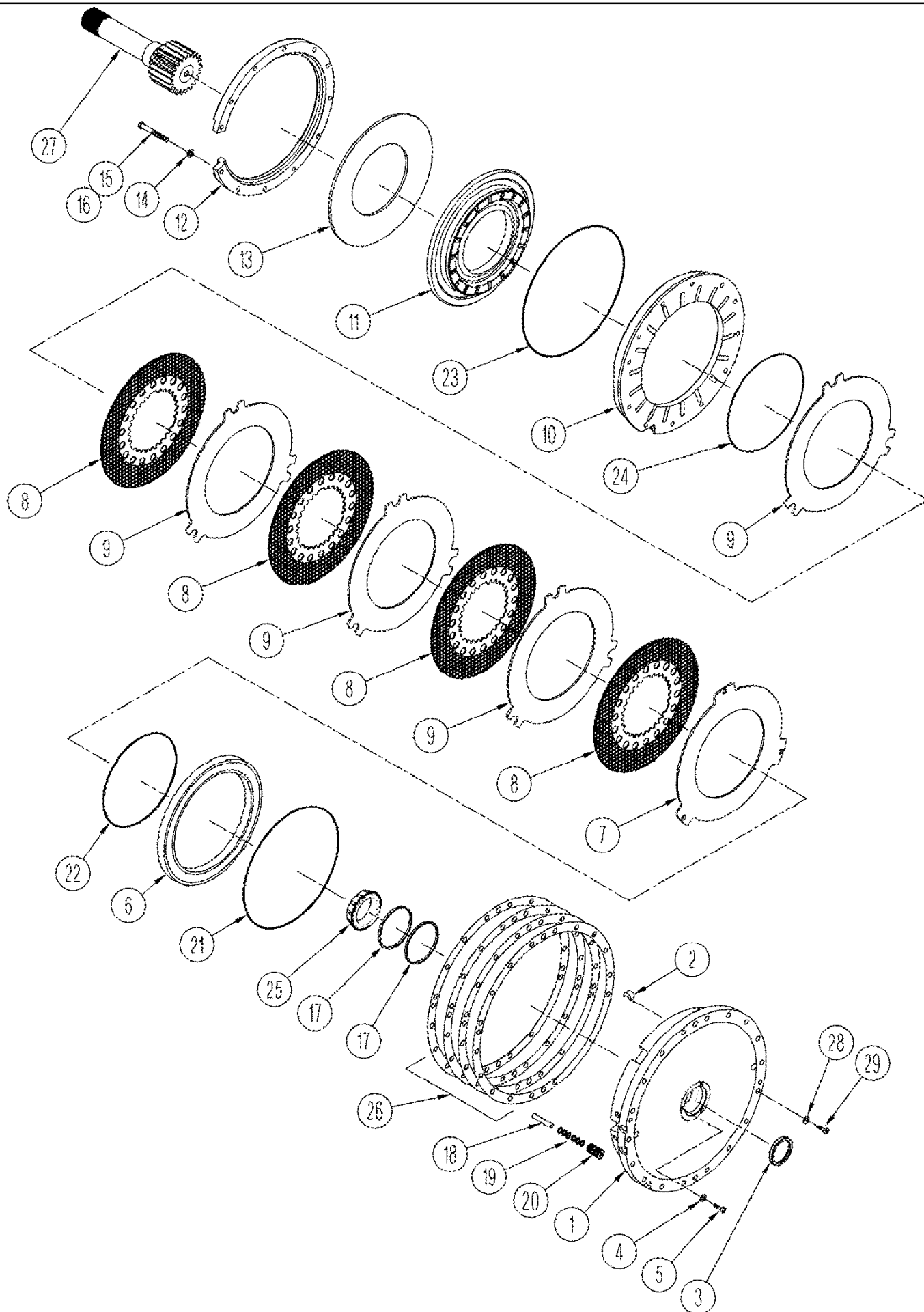
Ref	Part Number	Qty	Description
	87522603	1	DIFFERENTIAL ASSY, Without Diff Lock, Inc. 1, 2
1	NSS	1	NOT SERVICED SEPARATELY, Housing, Differential
2	87520606	1	PLUG, 10 mm
3	92907C1	1	SHAFT, Pinion, Long
4	1289349C1	1	SPACER, Long Pinion
5	92906C1	2	SHAFT, SHORT, Pinion
6	1289350C1	2	SPACER,
7	1270697C1	112	NEEDLE, 28 Per Gear
8	1289348C1	4	RING, Retaining
9	92718C2	4	WASHER,
10	92905C1	4	PINION,
11	1997421C1	2	BOLT, Cross Pin
12	137023A1	6	DOWEL, 10 x 60 mm
13	86625266	24	WASHER, M17.5 x 30 x 4, HT,
14	9843611	24	BOLT, Hex, M16 x 55, 10.9, Full Thd,
15	87629650	2	WASHER, THRUST,
16	1259633C3	2	GEAR, Bevel, 20T
17	87597982	1	COVER, Housing
18	622337C1	1	BEARING, CUP,
19	622336C1	1	BEARING, CONE,
20	148939C1	1	SEAL,
	87522606	1	GEAR SET, Pinion Shaft and Gears, Front Axle, Inc. 21, See Figure: 06-62
	87522604	1	GEAR SET, Set, Pinion Shaft and Gears, Rear Axle, Not Illustrated, Inc. 22, See Figure: 06-63
21	NSS	1	NOT SERVICED SEPARATELY, Gear, Drive, Front Axle, 53 T
22	NSS	1	NOT SERVICED SEPARATELY, Gear, Drive, Rear Axle, Not Illustrated
23	253931A1	1	BEARING SET,
24	253932A1	1	BEARING, CONE,
25	279719A2	1	SUN GEAR, Short



TJ530 TRACTOR (1/06-) - Power Train

06-66 500 SERIES AXLE ASSY - DIFFERENTIAL, WITH DIFFERENTIAL LOCKS

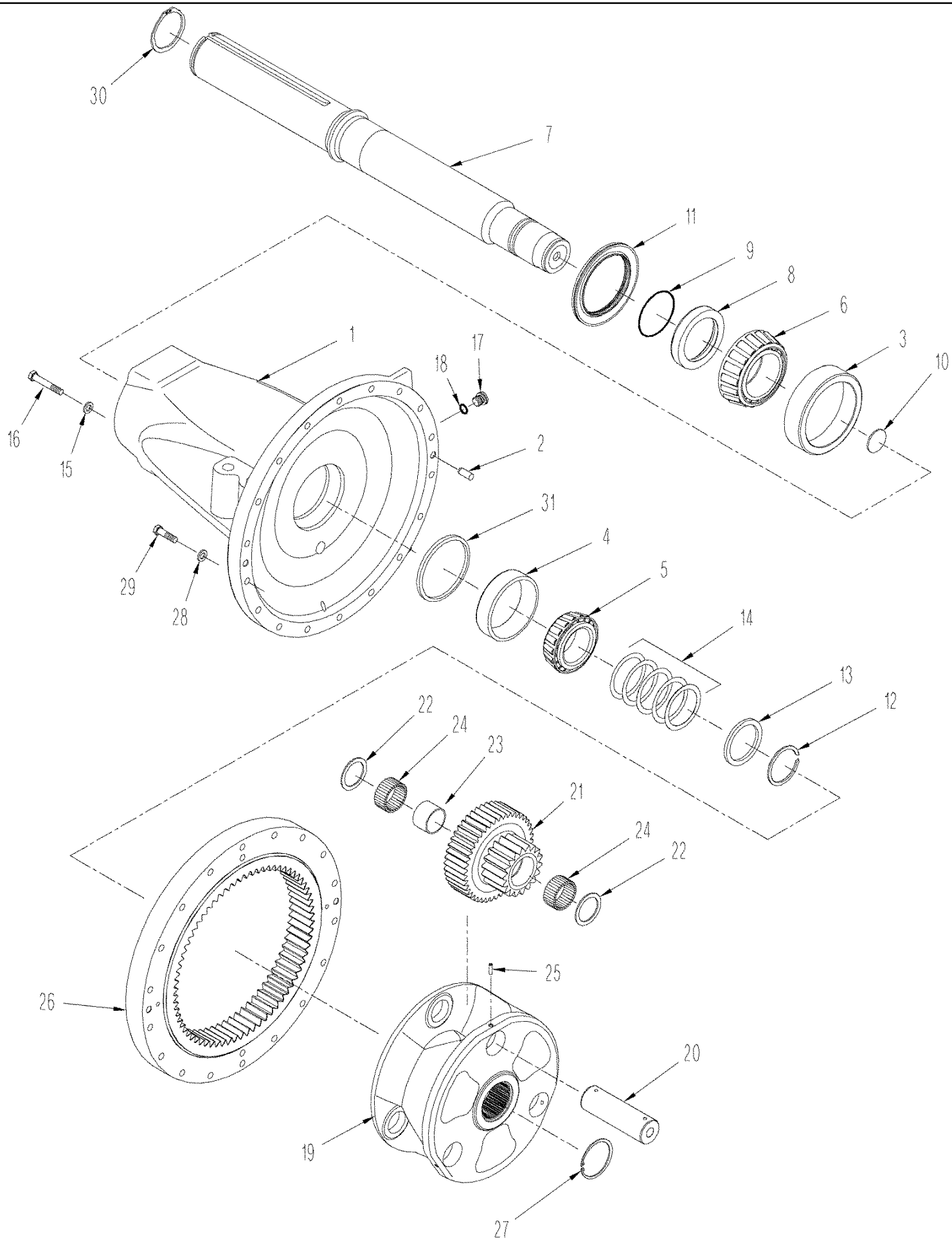
Ref	Part Number	Qty	Description
	87522603	1	DIFFERENTIAL ASSY, With Diff Lock, Inc. 1, 2
1	NSS	1	NOT SERVICED SEPARATELY, Housing, Differential
2	87520606	1	PLUG, 10 mm
3	92907C1	1	SHAFT, Pinion, Long
4	1289349C1	1	SPACER, Long Pinion
5	92906C1	2	SHAFT, SHORT, Pinion
6	1289350C1	2	SPACER,
7	1270697C1	112	NEEDLE, 28 Per Gear
8	1289348C1	4	RING, Retaining
9	92718C2	4	WASHER,
10	92905C1	4	PINION,
11	1997421C1	2	BOLT, Cross Pin
13	87452270	4	PLATE, Separator
14	120679C1	3	PLATE, Friction
15	87629650	2	WASHER, THRUST,
16	1259633C3	1	GEAR, Bevel, 20T
17	87629958	1	Housing
18	279719A2	1	SUN GEAR, Short
19	1259634C3	1	PINION, Lock
20	148939C1	1	SEAL,
	87522606	1	GEAR SET, Pinion Shaft and Gears, Front Axle, Inc. 21, See Figure: 06-62
	87522604	1	GEAR SET, Set, Pinion Shaft and Gears, Rear Axle, Not Illustrated, Inc. 22, See Figure: 06-63
21	NSS	1	NOT SERVICED SEPARATELY, Gear, Drive, 53 T
22	NSS	1	NOT SERVICED SEPARATELY, Cover, Drive, Rear Axle, Not Illustrated
23	253931A1	1	BEARING SET,
24	253932A1	1	BEARING, CONE,
25	86625266	24	WASHER, M17.5 x 30 x 4, HT,
26	9843611	24	BOLT, Hex, M16 x 55, 10.9, Full Thd,
27	1997422C1	1	PISTON, Brake
28	622336C1	1	BEARING, CONE,



TJ530 TRACTOR (1/06-) - Power Train

06-67 500 SERIES AXLE ASSY - BRAKE AND RIGHT-HAND CARRIER

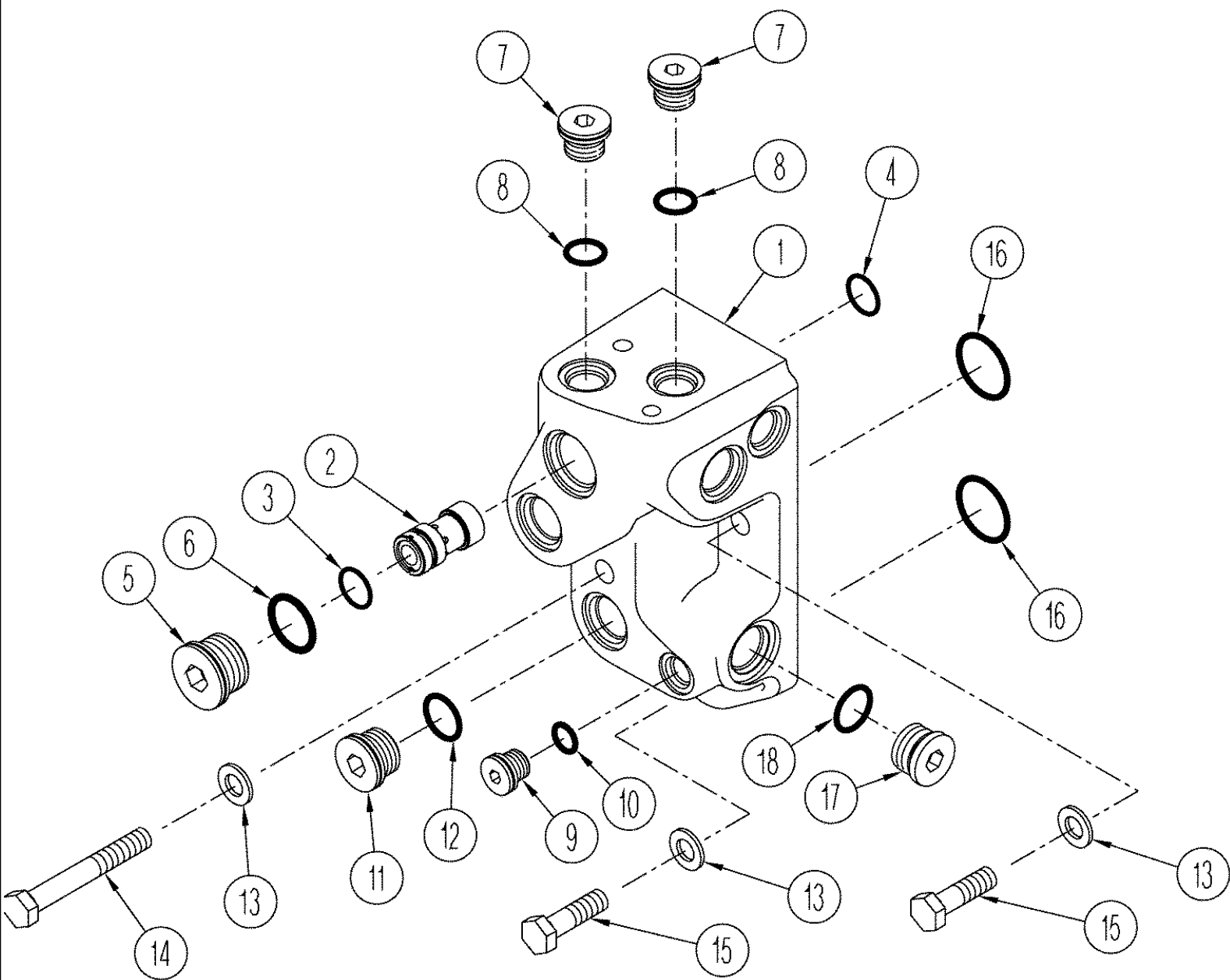
Ref	Part Number	Qty	Description
	398453A1	1	CARRIER, Assy., RH BrakeInc. 1, 2
1	NSS	1	NOT SERVICED SEPARATELY, Carrier, Brake
2	NSS	1	NOT SERVICED SEPARATELY, Plug, Expansion, 6,5 mm
3	139059C1	1	SEAL,
4	86639334	3	WASHER, 33/64" x 7/8" x .049",
5	86639264	3	SCREW, Hex Flat Hd, M8 x 12, 4.8,
6	353364A1	1	PISTON, Service Brake
7	228194A3	1	PLATE, Return
8	353363A1	4	PLATE, Friction
9	228193A1	4	PLATE, Separator
10	353367A3	1	PLATE, Backing
11	353369A1	1	PISTON, Park Brake
12	279707A1	1	SNAP RING, Retaining
13	226320A1	1	SPRING,
14	86639321	12	WASHER, 13.5 x 24 x 3 mm
15	86508622	10	BOLT, Hex, M12 x 100, 10.9,
16	412605	2	BOLT, Hex, M12 x 90, 10.9,
17	388308A1	2	SEAL, Ring
	363254A1	3	ADJUSTER, Inc. 18 - 20
18	86637802	1	DOWEL, 1/2" x 3",
19	86637643	6	RING, SNAP, #50, Ext,
20	1342928C1	12	WASHER, Thrust
21	86637774	1	O-RING, 1/8 ID x 15; 7
22	86637771	1	O-RING, -277, CI 7, 11.484" ID x .139" Thk,
23	86637775	1	O-RING, 1/8 ID x 16; 7
24	86637772	1	O-RING, 1/8 ID x 12; 7
25	622336C1	1	BEARING, CONE,
26	279709A1	AR	SHIM, 0,076 mm
26	279710A1	AR	SHIM, 0,101 mm
26	279711A1	AR	SHIM, 0,130 mm
26	279712A1	AR	SHIM, 0,508 mm
27	279718A2	1	SHAFT, Long
28	86639322	18	WASHER, M12 x 28.5 x 3, HT,
29	86589011	18	BOLT, Hex, M14 x 3 x 55, 10.9,



TJ530 TRACTOR (1/06-) - Power Train

06-68 500 SERIES AXLE ASSY - FINAL DRIVE

Ref	Part Number	Qty	Description
	435221A1	1	CARRIER, AXLE, Assy., Final Drive, Inc. 1 - 4
1	NSS	1	NOT SERVICED SEPARATELY, Housing, Final Drive
2	86639248	2	DOWEL, M16 x 40,
3	237698A1	1	BEARING, CUP,
4	A136253	1	BEARING SET,
5	NSS	1	NOT SERVICED SEPARATELY, Bearing, Cone
6	237700A1	1	BEARING, CONE,
	435219A1	1	SHAFT ASSY., Axle, 115 mm (4-1/2 in), Inc. 7 - 10
7	NSS	1	NOT SERVICED SEPARATELY, Shaft, Axle, 115 mm (4-1/2 in)
8	87593684	1	BUSHING, Outboard
9	86637742	1	O-RING, -246, 70 Duro, 4.484" ID x .139" Thk,
10	1981270C1	1	INSERT,
11	239942A3	1	SEAL,
12	435222A1	1	SNAP RING, Retaining
13	436752A1	1	RING, THRUST, Retaining
14	437392A1	1	SHIM,
14	437393A1	1	SHIM,
14	437394A1	1	SHIM,
14	437395A1	1	SHIM,
14	437396A1	1	SHIM,
15	86639333	4	WASHER, 5/16",
16	43232	4	SCREW,
17	221578A1	1	PLUG, Hex Soc, M18 x 1.5, ORB, Inc. 18
18	86639043	1	O-RING, 15.3 ID x 2.2
19	435215A1	1	CARRIER, AXLE, Planetary, 44T / 18T, Large Spline
20	357483A1	3	SHAFT,
21	357347A2	3	GEAR, 18 T / 44 T
22	397449A1	6	WASHER, THRUST,
23	377650A1	3	SPACER,
24	360785A1	1	NEEDLE, 58 per gear
25	86639256	3	PIN, M8 x 26, Coiled,
26	357346A1	2	GEAR, 69 T
27	86637645	2	RING, SNAP, #350, Ext,
28	86639323	36	WASHER, M17.5 x 30 x 4, HT,
29	87015550	36	BOLT, Hex, M16 x 130, 10.9,
30	301615	4	RING, SNAP, Retaining, 115 mm
31	435216A1	2	SPACER,

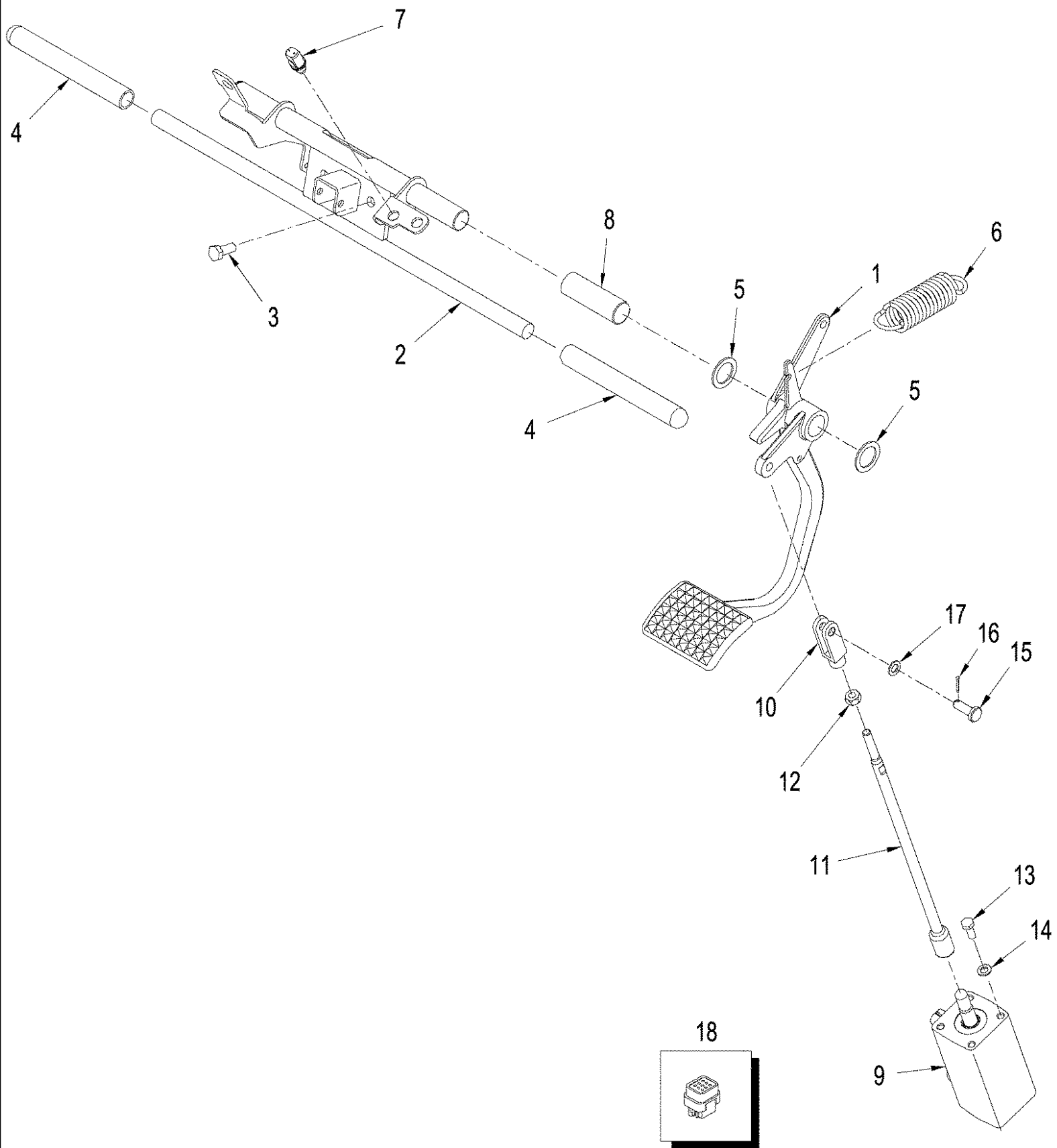


TJ530 TRACTOR (1/06-) - Power Train

06-69 AXLE ASSY - JET PUMP

Ref	Part Number	Qty	Description
1	428862A1	1	PUMP, LUBE, Housing
2	347294A3	1	PUMP, Jet
3	9861410	1	O-RING, -017, 90 Duro, .676" ID x .070" Thk,
4	49861	1	O-RING, -110, 70 Duro, .362" ID x .103" Thk,
5	221580A1	1	PLUG, Hex Soc, M27 x 2, ORB, Inc. 6
6	86639045	1	O-RING, CI 6, 23.6MM ID x 2.9 Thk,
7	221578A1	2	PLUG, Hex Soc, M18 x 1.5, ORB, Inc. 8
8	86639043	2	O-RING, 15.3 ID x 2.2
9	221576A1	1	PLUG, Hex Soc, M14 x 1.5, ORB, Inc. 10
10	86639042	1	O-RING, CI 6, 11.3MM ID x 2.2 Thk,
11	221579A1	1	PLUG, Hex Soc, M22 x 1.5, ORB, Inc. 12
12	86639044	1	O-RING, CI 6, 19.3MM ID x 2.2 Thk,
13	86624176	3	WASHER, M10 x 20 x 2,
14	86639212	1	BOLT, Hex, M10 x 75, 10.9,
15	86625011	2	BOLT, Hex, M10 x 35, 10.9, Full Thd,
16	14458081	2	O-RING, -122, CI 7, 1.112" ID x .103" Thk,
17	86625138	1	PLUG, Hex Soc, 7/8"-14 ORB, Inc. 18
18	167269	1	O-RING, 10-1, 90 Duro, .755" ID x .097" Thk,

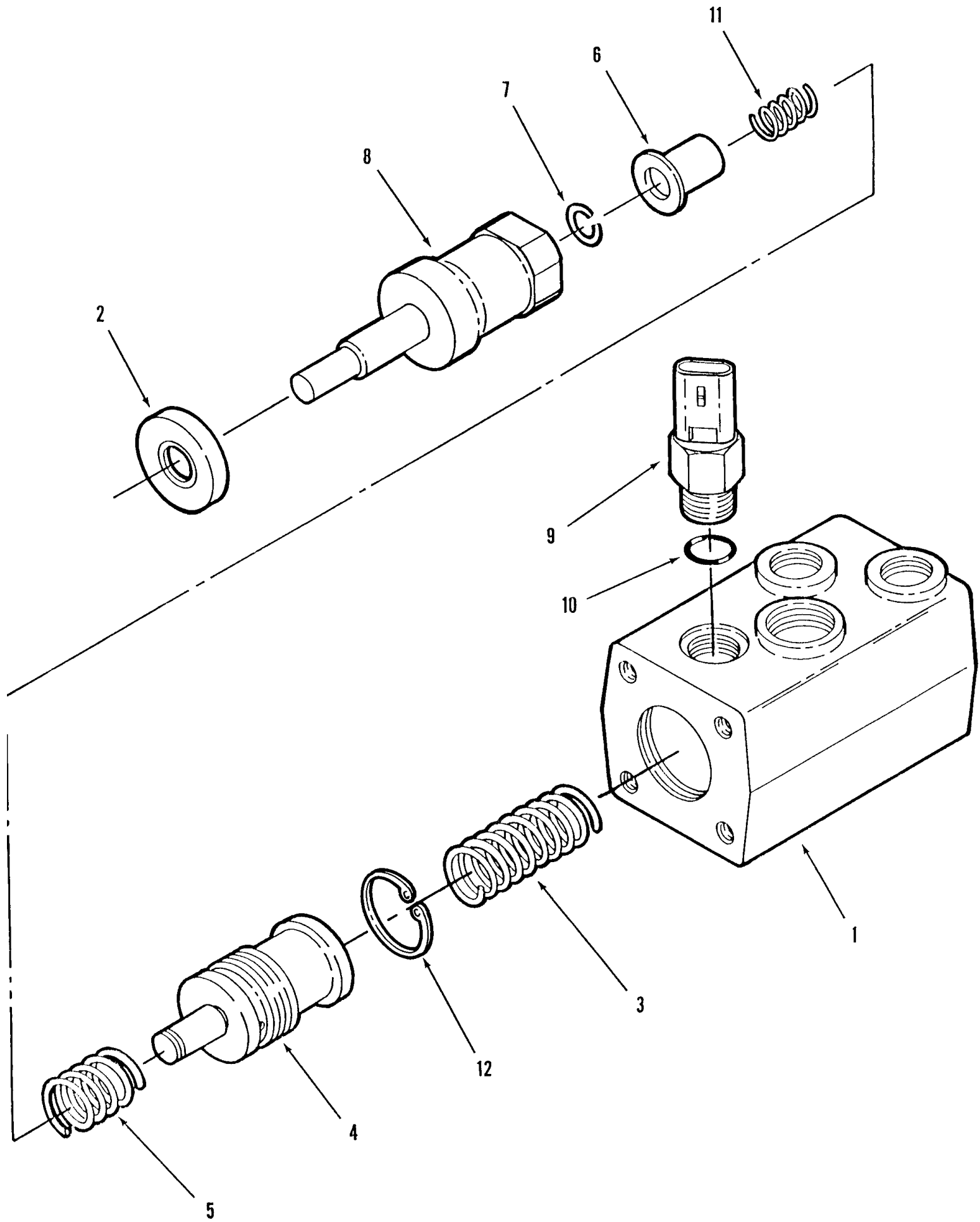
07-01 BRAKE CONTROL



TJ530 TRACTOR (1/06-) - Brakes

07-01 BRAKE CONTROL

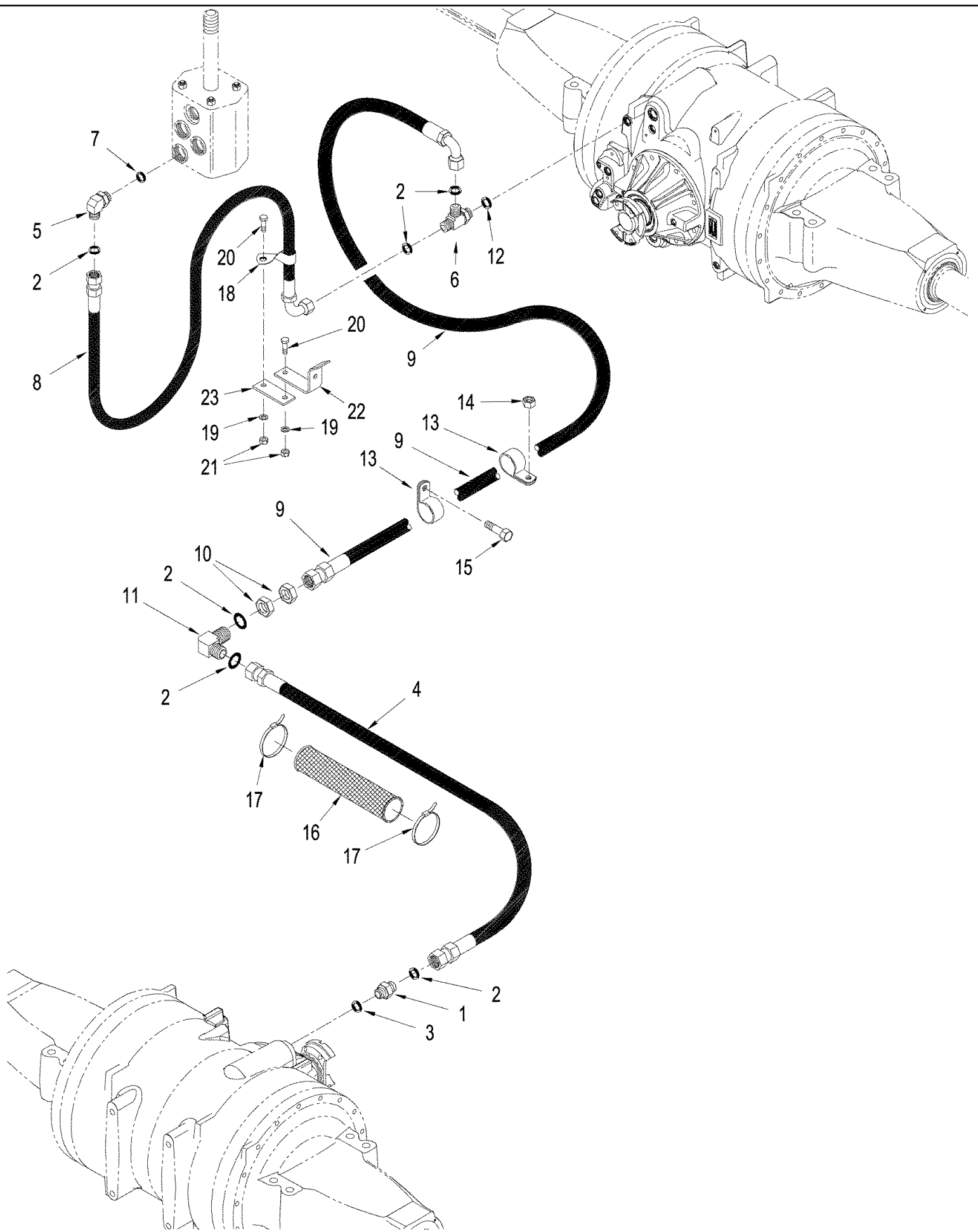
Ref	Part Number	Qty	Description
1	222462A2	1	PEDAL, Brake
2	87448885	1	SUPPORT, Pedal, Brake / Clutch
3	43139	2	SCREW,
4	321961A1	2	MOLDING, Rubber
5	281093A1	2	WASHER,
6	278210A1	1	SPRING, Extension
7	279265A2	1	SWITCH, Brake Light
8	281893A1	1	BEARING, Pivot
9	302822A3	1	VALVE, Brake, See Figure(s) : 07-02
10	1537272C1	1	CLEVIS, M10 x 40
11	369851A1	1	ROD,
12	86500689	1	NUT, M10, CI 10,
13	43233	4	BOLT, Hex, M8 x 20, 10.9,
14	86624184	4	WASHER, M8 x 16 x 1.6,
15	86639108	1	PIN, CLEVIS, M10 x 30, 10 x 30 mm
16	86639116	1	PIN, SPLIT (COTTER), M2.5 x 12,
17	86625251	1	WASHER, M10 x 18 x 1.6,
18	345471A1	1	SWITCH, Differential Lock



TJ530 TRACTOR (1/06-) - Brakes

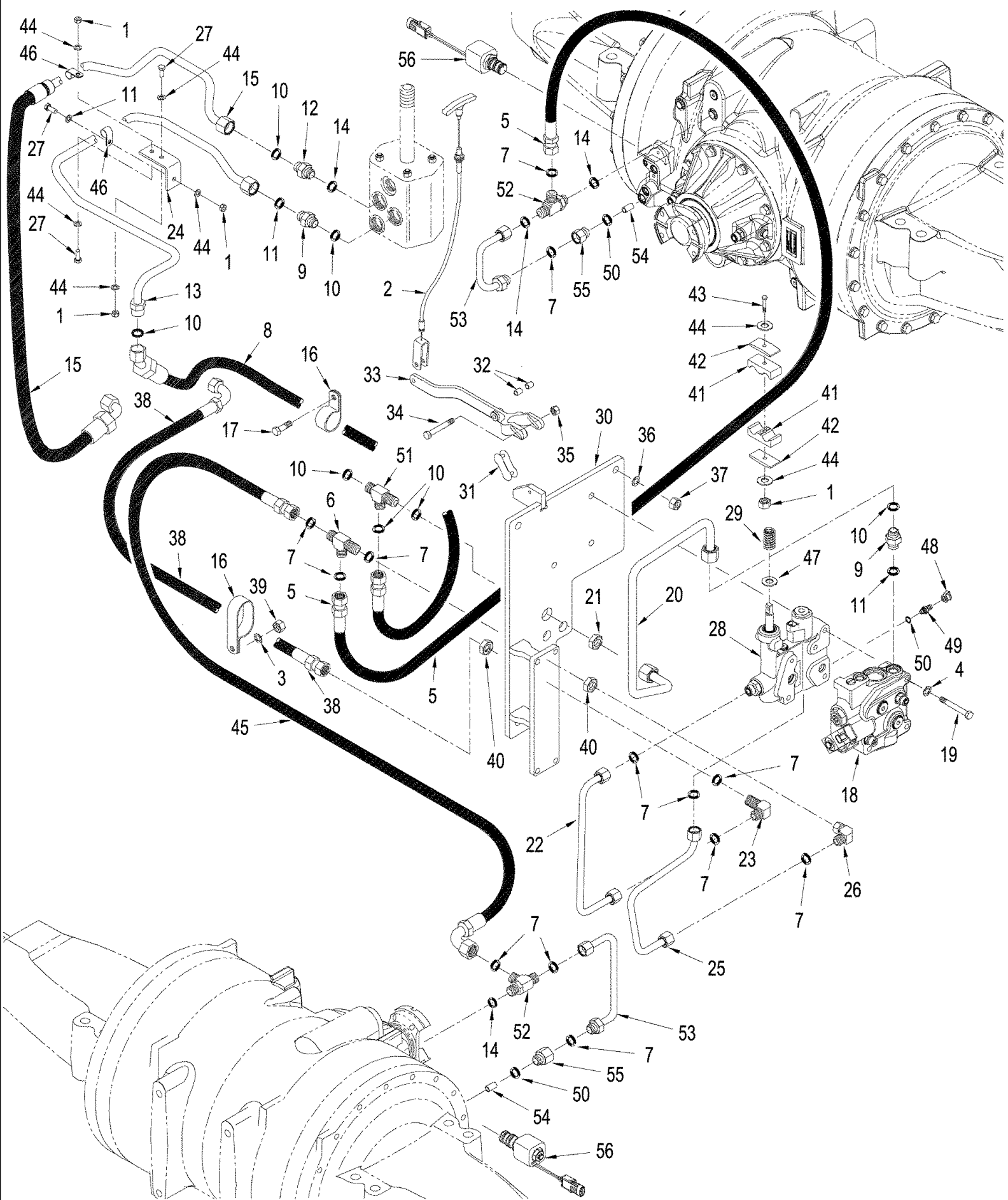
07-02 BRAKE VALVE ASSY

Ref	Part Number	Qty	Description
	302822A3	1	VALVE, Brake Assy., Inc. 1 - 10
1	NSS	1	NOT SERVICED SEPARATELY, Housing, Brake
2	195806A1	1	SEAL,
3	185613A1	1	SPRING,
4	280297A1	1	SPOOL,
5	291105A1	1	SPRING, Outer
6	291107A1	1	RETAINER,
7	229659A1	1	RING, SNAP, Retaining
8	291106A1	1	STEM,
9	279266A1	1	SWITCH, Inc. 10
10	86513328	1	O-RING, 3-1, .301" ID x .064" Thk,
11	291104A1	1	SPRING,
12	167111	1	RING, SNAP, 1.50", Int, #150,



07-06 500 SERIES AXLE HYDRAULICS - SERVICE BRAKE CIRCUIT

Ref	Part Number	Qty	Description
1	401760A1	1	VALVE, Check, 13/16 fc sl x 22 or, Inc. 2, 3
2	9992298	6	O-RING, -014, 90 Duro, .489" ID x .070" Thk,
3	86639044	1	O-RING, CI 6, 19.3MM ID x 2.2 Thk,
4	391243A2	1	HOSE ASSY., 2184 mm (86")
5	86579691	1	ELBOW, 90e, 13/16"-18 ORFS x M18 x 1.5 ORB, Inc. 2, 7
6	86639058	1	TEE, 13/16"-16 ORFS x M22 x 1.5 ORB Run, Inc. 2, 12
7	86639043	1	O-RING, 15.3 ID x 2.2
8	87364344	1	HOSE, 1105 mm (43-1/2")
9	353609A1	1	HOSE ASSY., 2115 mm (83")
10	86639083	2	NUT, LOCK, 13/16"-16, ORFS Blkhd,
11	86639079	1	ELBOW, 90e, 13/16"-16, ORFS, Blkhd, Inc. 2
12	86639044	1	O-RING, CI 6, 19.3MM ID x 2.2 Thk,
13	86637979	2	CLAMP, 13/16", Insul, 3/8" Bolt, P-type
14	43362	1	NUT, M8, CI 10,
15	43234	1	BOLT, Hex, M8 x 25, 10.9,
16	S120426	1	SLEEVE,
17	L18331	1	STRAP, CABLE, Tie
18	R43926	1	CLAMP, 90 Twist, 3/4"
19	895-15008	1	WASHER, M8 x 20 x 1.6,
20	627-8030	1	BOLT, Hex, M8 x 30, 10.9,
21	832-10408	1	NUT, LOCK, M8 x 1.25, CI 8,



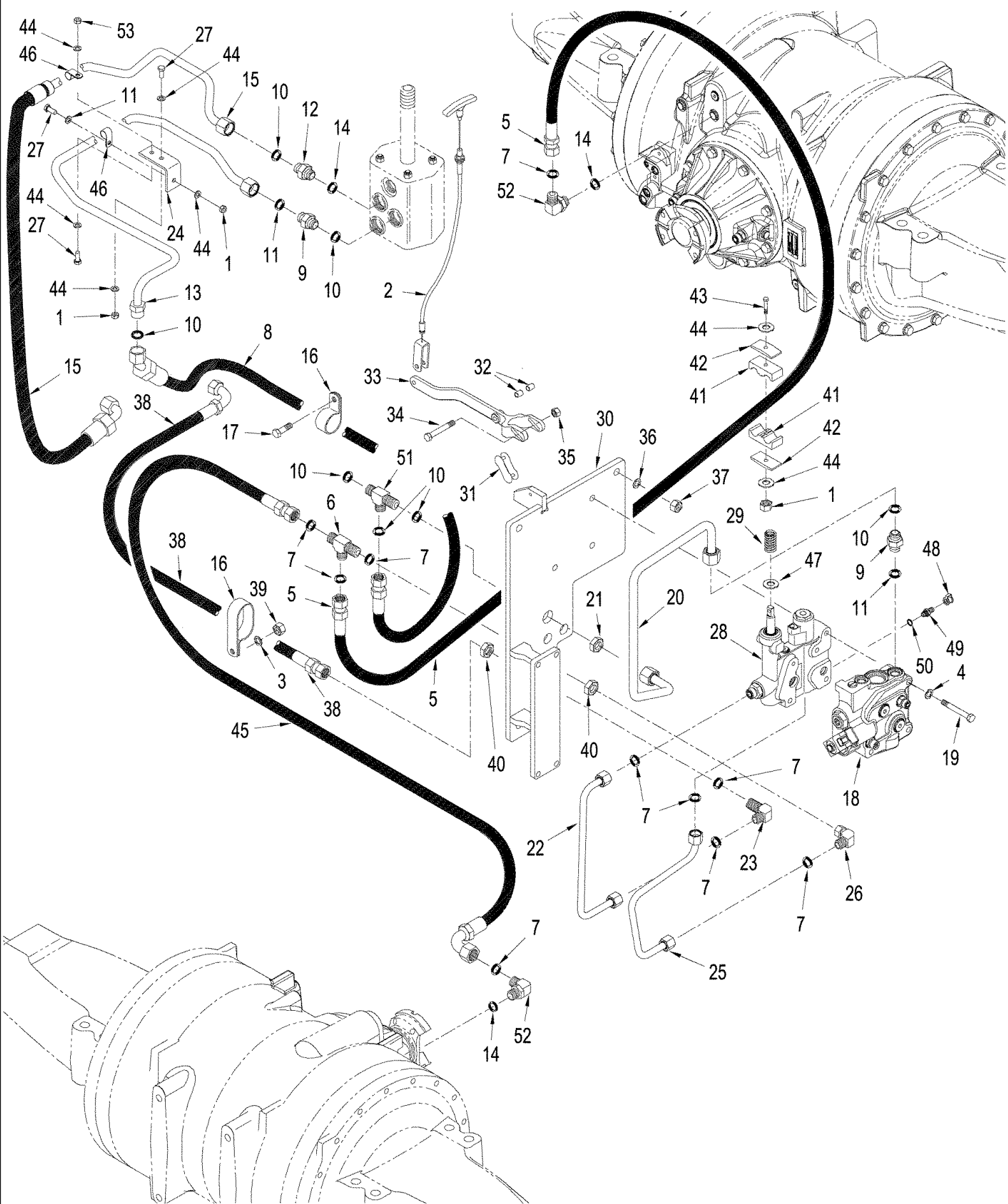
TJ530 TRACTOR (1/06-) - Brakes

07-07 500 SERIES AXLE HYDRAULICS - PARK BRAKE CIRCUIT, WITH DIFFERENTIAL LOCKS

Ref	Part Number	Qty	Description
1	43362	4	NUT, M8, CI 10,
2	349863A2	1	CABLE, Tow Valve, See Figure 08-14 for Mounting & Related Parts.
3	86624176	2	WASHER, M10 x 20 x 2,
4	86625251	3	WASHER, M10 x 18 x 1.6,
5	428171A1	1	HOSE ASSY., 2235 mm (88 in)
6	86639080	1	TEE, 13/16"-16 ORFS, Blkd Run,
7	9992298	8	O-RING, -014, 90 Duro, .489" ID x .070" Thk,
8	87309670	1	HOSE, 1170 mm (46 in)
9	86579679	2	CONNECTOR, HYD., 1"-14 ORFS x M18 x 1.5 ORB, Inc. 10, 11
10	9992069	7	O-RING, -016, 90 Duro, .614" ID x .070" Thk,
11	86639043	2	O-RING, 15.3 ID x 2.2
12	86579680	1	CONNECTOR, HYD., 1"-14 ORFS x M22 x 1.5 ORB, Includes 10, 14
13	87345208	1	TUBE, Brake Supply
14	86639044	2	O-RING, CI 6, 19.3MM ID x 2.2 Thk,
15	87365244	1	TUBE, Return
16	515-24206	2	CLAMP, 13/16", Insul, 7/16" Bolt, P-type
17	43233	1	BOLT, Hex, M8 x 20, 10.9,
18	411104A2	1	VALVE, Regulator, See Figure: 08-11
19	86639150	3	BOLT, Hex, M10 x 150, 10.9,
20	449827A2	1	TUBE ASSY., Regulator to Mounting Plate Tee
21	86639085	1	NUT, LOCK, 1"-14, ORFS Blkhd,
22	449796A1	1	TUBE ASSY., Tow Valve to Hydraulic Return
23	86639079	1	ELBOW, 90e, 13/16"-16, ORFS, Blkhd, Inc. 7
24	87345210	1	BRACKET, Mounting, Brake Tubes
25	449798A1	1	TUBE ASSY., Lower Tow Valve to Mounting Plate Tee
26	84989383	1	ELBOW, 90e, 13/16"-16 ORFS x 13/16"-16 Fem Sw, Inc. 7
27	627-8020	1	BOLT, Hex, M8 x 20, 10.9,
28	87679712	1	VALVE, Control, Tow Block, See Figure: 08-13
29	361897A1	1	SPRING,
30	449830A1	1	PLATE ASSY., Mounting, Tow Valve
31	86637776	1	LINK, CHAIN, Tow Valve Arm
32	392748A1	2	SPACER,
33	390918A3	1	ARM, Tow Valve
34	86639207	1	BOLT, Hex, M6 x 70, 10.9,
35	412250	1	NUT, LOCK, M8 x 1.25, CI 8,
36	86624177	3	WASHER, M12 x 24 x 2.5,
37	337475	3	NUT, M12, CI 10,
38	87414079	1	HOSE ASSY.,
39	86500689	2	NUT, M10, CI 10,
40	86639083	3	NUT, LOCK, 13/16"-16, ORFS Blkhd,
41	435470A1	2	CLAMP, Hose
42	435468A1	2	PLATE,
43	86556137	1	BOLT, Hex, M8 x 70, 10.9,
44	86624184	8	WASHER, M8 x 16 x 1.6,
45	352112A3	1	HOSE ASSY., 2336 mm (92 in)

07-07 500 SERIES AXLE HYDRAULICS - PARK BRAKE CIRCUIT, WITH DIFFERENTIAL LOCKS

Ref	Part Number	Qty	Description
46	515-22159	2	CLAMP, 5/8", Insul, 5/16" Bolt,
47	86639323	1	WASHER, M17.5 x 30 x 4, HT,
	178889A1	1	FITTING, Diagnostic, Inc. 48, 49
48	86502604	1	DUST CAP, Dust
49	NSS	1	NOT SERVICED SEPARATELY, Fitting, Diagnostic, Inc. 50
50	86639042	3	O-RING, CI 6, 11.3MM ID x 2.2 Thk,
51	86639081	1	TEE, 1"-14 ORFS, Blkd Run, Inc. 10
52	86639058	2	TEE, 13/16"-16 ORFS x M22 x 1.5 ORB Run, Inc. 7, 14
53	416697A1	2	TUBE ASSY., Jumper
	341195A1	2	ORIFICE, Inc. 54, 55
54	86639306	2	SET SCREW, Hex Soc, M8 x 12, Cup Pt,
55	86579674	2	CONNECTOR, HYD., 13/16"-16 ORFS x M14 x 1.5 ORB, Inc. 60, 61
56	384977A1	2	VALVE, Solenoid, Differential Lock, See Figure: 07-09



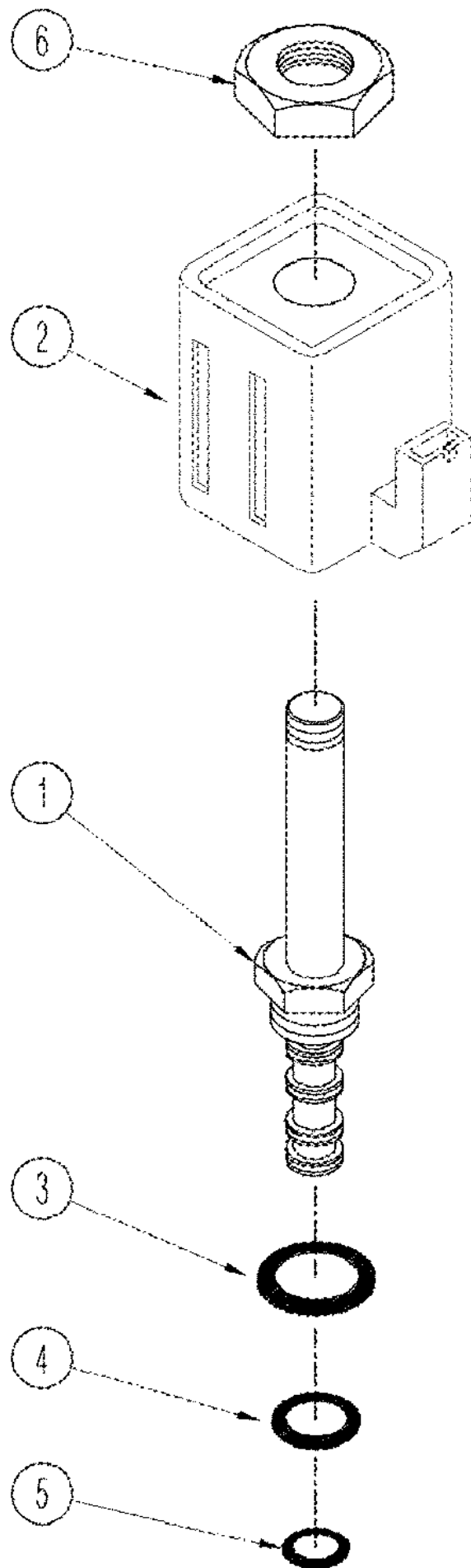
07-08 500 SERIES AXLE HYDRAULICS - PARK BRAKE CIRCUIT,WITHOUT DIFFERENTIAL LOCKS

Ref	Part Number	Qty	Description
1	43362	1	NUT, M8, CI 10,
2	349863A2	1	CABLE, Tow Valve, See Figure: 08-14 for Mounting & Related Parts
3	86624176	2	WASHER, M10 x 20 x 2,
4	86625251	3	WASHER, M10 x 18 x 1.6,
5	428171A1	1	HOSE ASSY., 2235 mm (88 in)
6	86639080	1	TEE, 13/16"-16 ORFS, Blkd Run,
7	9992298	3	O-RING, -014, 90 Duro, .489" ID x .070" Thk,
8	87416123	1	HOSE ASSY., 2286 mm (90 in)
9	86579679	2	CONNECTOR, HYD., 1"-14 ORFS x M18 x 1.5 ORB, Inc. 10, 11
10	9992069	2	O-RING, -016, 90 Duro, .614" ID x .070" Thk,
11	86639043	2	O-RING, 15.3 ID x 2.2
12	86579680	1	CONNECTOR, HYD., 1"-14 ORFS x M22 x 1.5 ORB, Inc. 10, 14
13	87345208	1	TUBE, Brake Supply
14	86639044	2	O-RING, CI 6, 19.3MM ID x 2.2 Thk,
15	87365244	1	TUBE, Return
16	515-24206	2	CLAMP, 13/16", Insul, 7/16" Bolt, P-type
17	43233	1	BOLT, Hex, M8 x 20, 10.9,
18	411104A2	1	VALVE, Regulator, See Figure: 08-11
19	86639150	3	BOLT, Hex, M10 x 150, 10.9,
20	449827A2	1	TUBE ASSY., Regulator to Mounting Plate Tee
21	86639085	1	NUT, LOCK, 1"-14, ORFS Blkhd,
22	449796A1	1	TUBE ASSY., Tow Valve to Hydraulic Return
23	86639079	1	ELBOW, 90e, 13/16"-16, ORFS, Blkhd, Inc. 7
24	87345210	1	BRACKET, Mounting, Brake Tubes
25	449798A1	1	TUBE ASSY.,
26	84989383	1	ELBOW, 90e, 13/16"-16 ORFS x 13/16"-16 Fem Sw, Inc. 7
27	627-8020	3	BOLT, Hex, M8 x 20, 10.9,
28	87679712	1	VALVE, Control, Tow Block, See Figure: 08-13
29	361897A1	1	SPRING,
30	449830A1	1	PLATE ASSY., Mounting, Tow Valve
31	86637776	1	LINK, CHAIN, Tow Valve Arm
32	392748A1	2	SPACER,
33	390918A3	1	ARM, Tow Valve
34	86639207	1	BOLT, Hex, M6 x 70, 10.9,
35	412250	1	NUT, LOCK, M8 x 1.25, CI 8,
36	86624177	3	WASHER, M12 x 24 x 2.5,
37	337475	3	NUT, M12, CI 10,
38	87414079	1	HOSE ASSY.,
39	86500689	2	NUT, M10, CI 10,
40	86639083	3	NUT, LOCK, 13/16"-16, ORFS Blkhd,
41	435470A1	2	CLAMP,
42	435468A1	2	PLATE,
43	86556137	1	BOLT, Hex, M8 x 70, 10.9,
44	86624184	8	WASHER, M8 x 16 x 1.6,
45	352112A3	1	HOSE ASSY., 2336 mm (92 in)

TJ530 TRACTOR (1/06-) - Brakes

07-08 500 SERIES AXLE HYDRAULICS - PARK BRAKE CIRCUIT,WITHOUT DIFFERENTIAL LOCKS

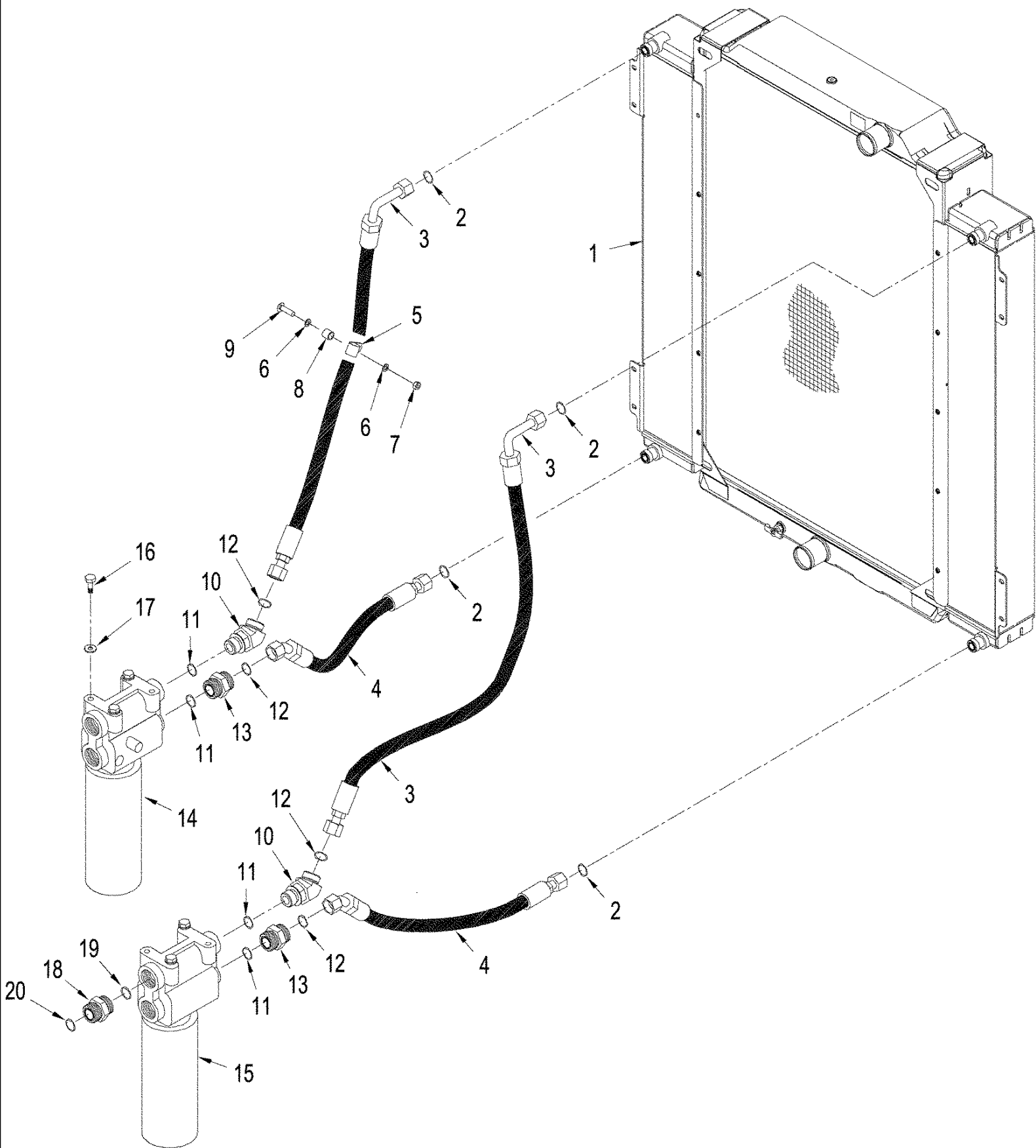
Ref	Part Number	Qty	Description
46	515-22159	2	CLAMP, 5/8", Insul, 5/16" Bolt,
47	86639323	1	WASHER, M17.5 x 30 x 4, HT,
	178889A1	1	FITTING, Diagnostic, Inc. 48, 49
48	86502604	1	DUST CAP, Dust
49	NSS	1	NOT SERVICED SEPARATELY, Fitting, Diagnostic, Inc. 50
50	86639042	1	O-RING, CI 6, 11.3MM ID x 2.2 Thk,
51	86639081	1	TEE, 1"-14 ORFS, Blkd Run, Inc. 52
52	86579692	2	ELBOW, 90e, 13/16"-18 ORFS x M22 x 1.5 ORB, Inc. 7, 14



TJ530 TRACTOR (1/06-) - Brakes

07-09 VALVE ASSY - DIFFERENTIAL LOCK

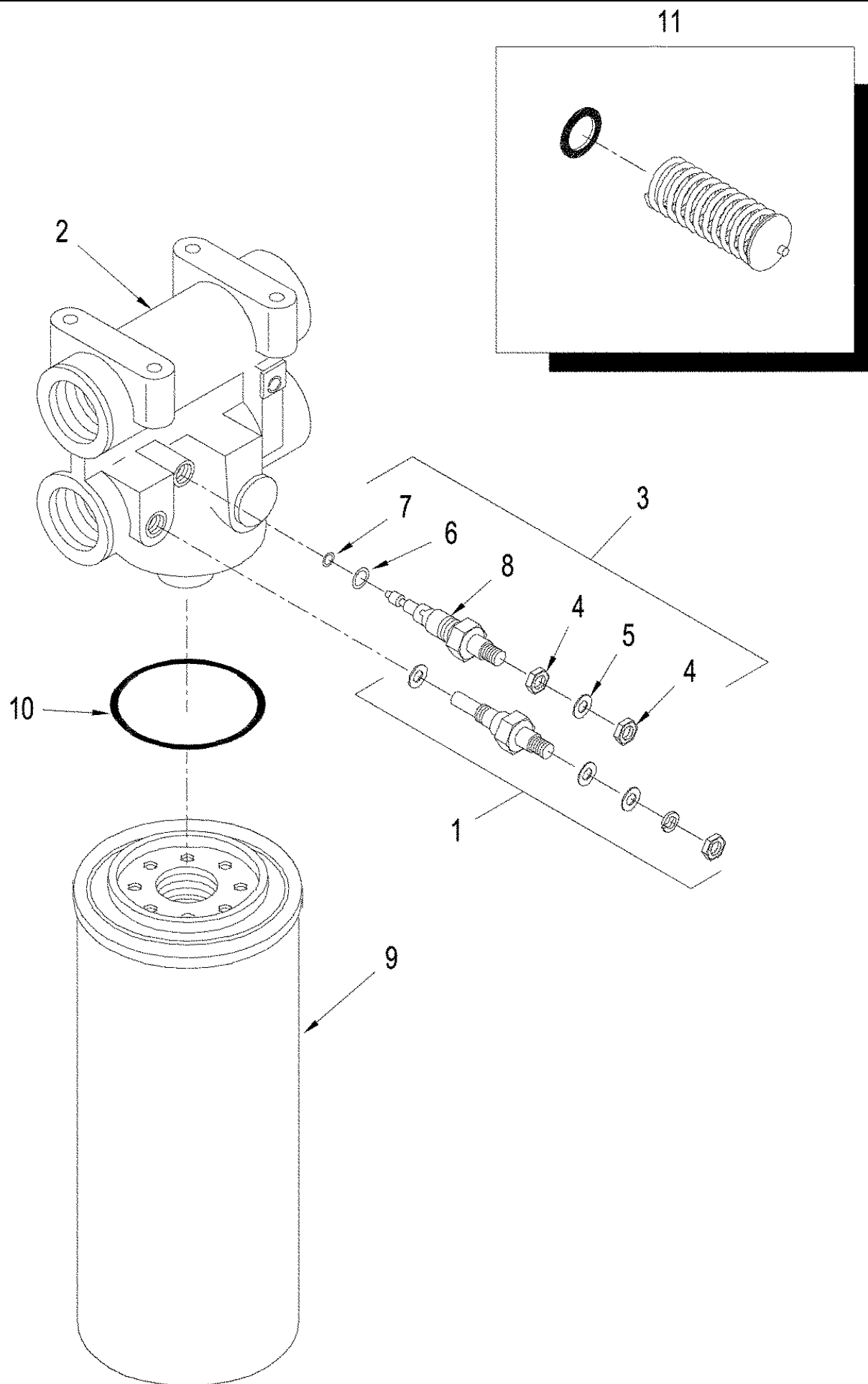
Ref	Part Number	Qty	Description
	384977A1	1	VALVE, Differential Lock, Inc. 1 - 6
1	384976A1	1	CARTRIDGE,
2	353941A1	1	COIL,
3	167269	1	O-RING, 10-1, 90 Duro, .755" ID x .097" Thk,
4	14453280	1	O-RING, -015, 70 Duro, .551" ID x .070" Thk,
5	130282	1	O-RING, -014, 70 Duro, .489" ID x .070" Thk,
6	NSS	1	NOT SERVICED SEPARATELY, Nut



TJ530 TRACTOR (1/06-) - Hydraulic System

08-02 HYDRAULIC OIL COOLER, TJ480 / 530 & T9050 / 9060

Ref	Part Number	Qty	Description
1	87434388	1	RADIATOR, See Figure: 02-04
2	9991976	4	O-RING, -018, 90 Duro, .739" ID x .070" Thk,
3	87440661	2	HOSE ASSY., 1181 mm (46-1/2")
4	87440659	2	HOSE ASSY., 685 mm (27")
5	86625038	2	CLAMP, 1", Insul, 1/2" Bolt,
6	86625251	2	WASHER, M10 x 18 x 1.6,
7	86500689	2	NUT, M10, CI 10,
8	87307825	2	SPACER,
9	811-10040	2	BOLT, CARRIAGE, Short NK, M10 x 40, CI8.8, Full Thd,
10	86639056	2	ELBOW, 45e, 13/16"-18 ORFS x M18 x 1.5 ORB, Inc. 11 & 12
11	86639045	1	O-RING, CI 6, 23.6MM ID x 2.9 Thk,
12	9991976	1	O-RING, -018, 90 Duro, .739" ID x .070" Thk,
13	86579682	2	CONNECTOR, HYD., 1 3/16"-12 ORFS x M27 x 2 ORB, Inc. 11 & 12
14	REF	1	INSTRUCTION, Filter, Transmission, LH, See Figure: 08-04
15	REF	1	INSTRUCTION, Filter, Axle Lubrication, RH, See Figure: 08-04
16	627-10025	4	BOLT, Hex, M10 x 25, 10.9, Full Thd,
17	895-11010	4	WASHER, M10 x 20 x 2,
18	700-105	2	CONNECTOR, HYD., 1 7/16"-12 ORFS x M22 x 2 ORB, Inc. 19 & 20
19	637-64296	2	O-RING, CI 6, 29.6MM ID x 2.9 Thk,
20	238-6021	2	O-RING, -021, 90 Duro, .926" ID x .070" Thk,

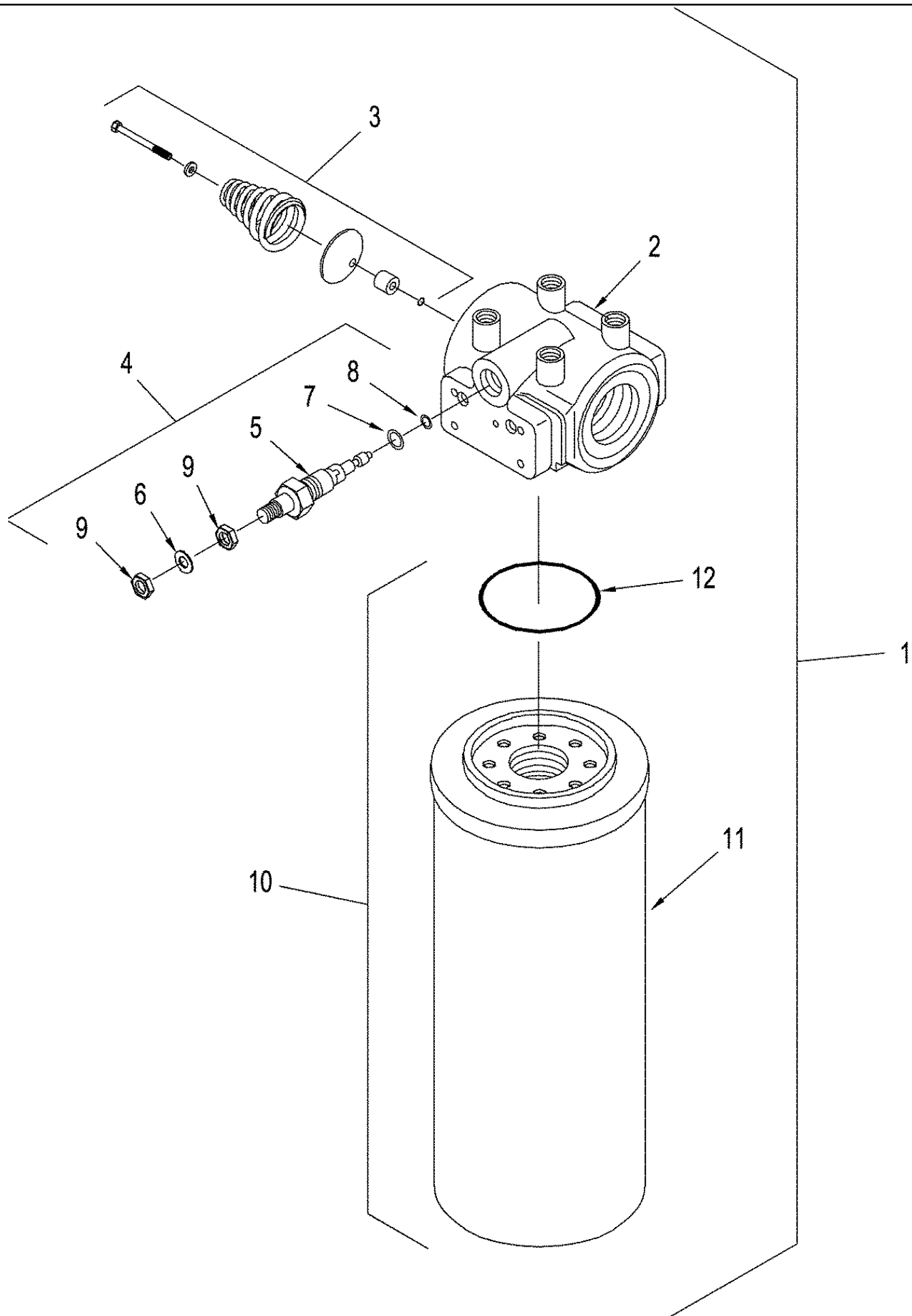


TJ530 TRACTOR (1/06-) - Hydraulic System

08-04 OIL FILTER - AXLE AND TRANSMISSION

Ref	Part Number	Qty	Description
1	302557A2	2	SENDER UNIT, Temperature
2	87524853	1	Head, Filter, Axle Lubrication, RH
2	87524852	1	Head, Filter, Transmission Lubrication, LH
3	N6755	1	INDICATOR, Switch, Restriction, Inc. 4 - 8
4	86625058	2	NUT, #10-32, LH,
5	280254	1	WASHER, LOCK, Int Tooth, #10,
6	9617873	1	O-RING, 6-1, 90 Duro, .468" ID x .078" Thk,
7	9672548	1	O-RING, -011, 70 Duro, .301" ID x .070" Thk,
8	NSS	1	NOT SERVICED SEPARATELY, Switch, Indicator Restriction
9	86989735	1	FILTER, HYDRAULIC OIL, Inc. 10
10	1986552C2	1	O-RING,
11	443097A1	1	KIT, Check Valve, Outline

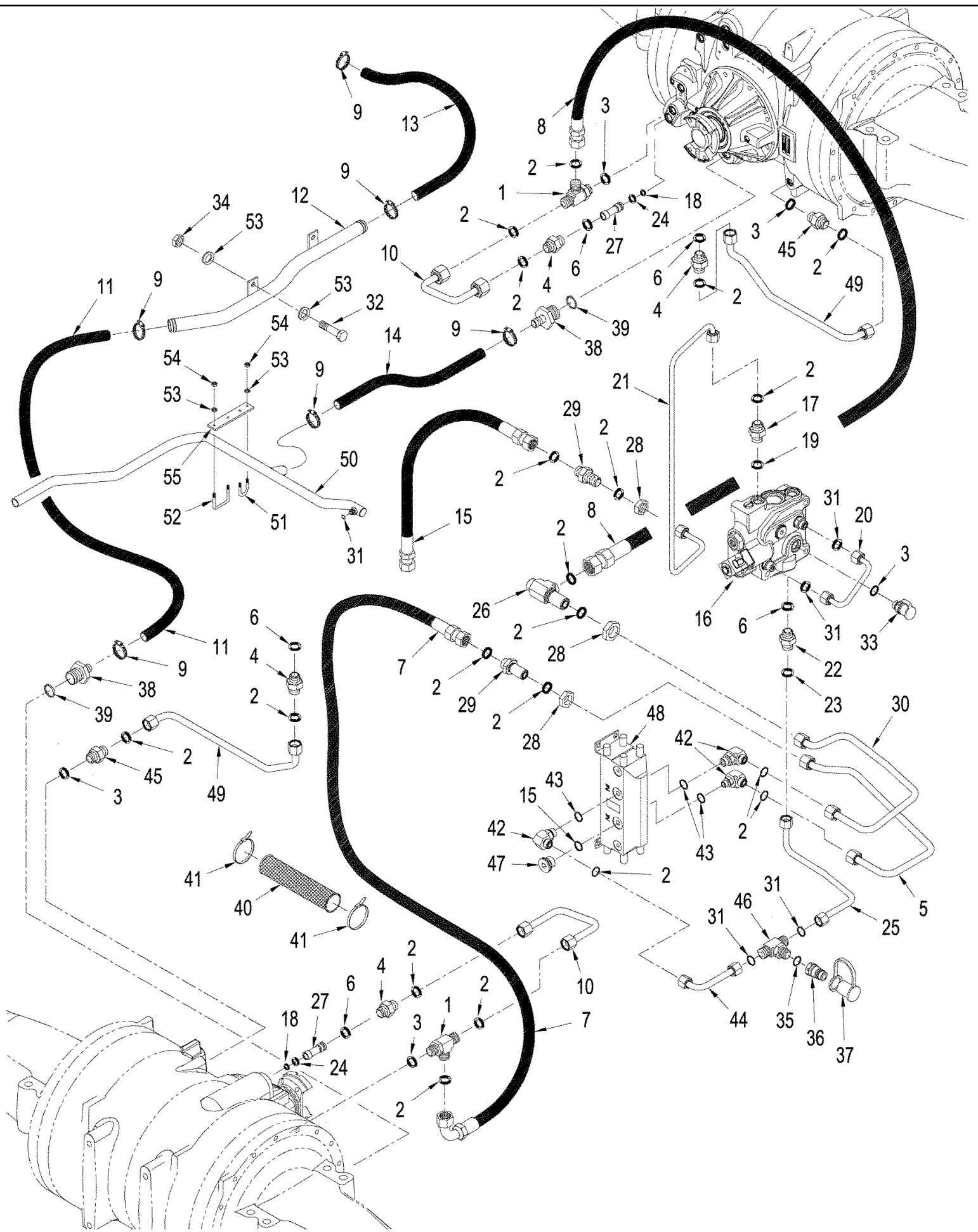
08-05 OIL FILTER - MAIN HYDRAULICS (BELOW BATTERY)



TJ530 TRACTOR (1/06-) - Hydraulic System

08-05 OIL FILTER - MAIN HYDRAULICS (BELOW BATTERY)

Ref	Part Number	Qty	Description
1	86991559	1	FILTER ASSY, Inc. 2 - 12
2	87409374	1	Head, Filter,
3	NSS	1	NOT SERVICED SEPARATELY, Valve, By-Pass
4	N6755	1	INDICATOR, Restriction, Inc. 5 - 9
5	NSS	1	NOT SERVICED SEPARATELY, Indicator
6	280254	1	WASHER, LOCK, Int Tooth, #10,
7	9617873	1	O-RING, 6-1, 90 Duro, .468" ID x .078" Thk,
8	9672548	1	O-RING, -011, 70 Duro, .301" ID x .070" Thk,
9	86625058	2	NUT, #10-32, LH,
10	86018758	1	FILTER, HYDRAULIC OIL, Inc. 11 & 12
11	NSS	1	NOT SERVICED SEPARATELY, Element
12	NSS	1	NOT SERVICED SEPARATELY, O-Ring



TJ530 TRACTOR (1/06-) - Hydraulic System

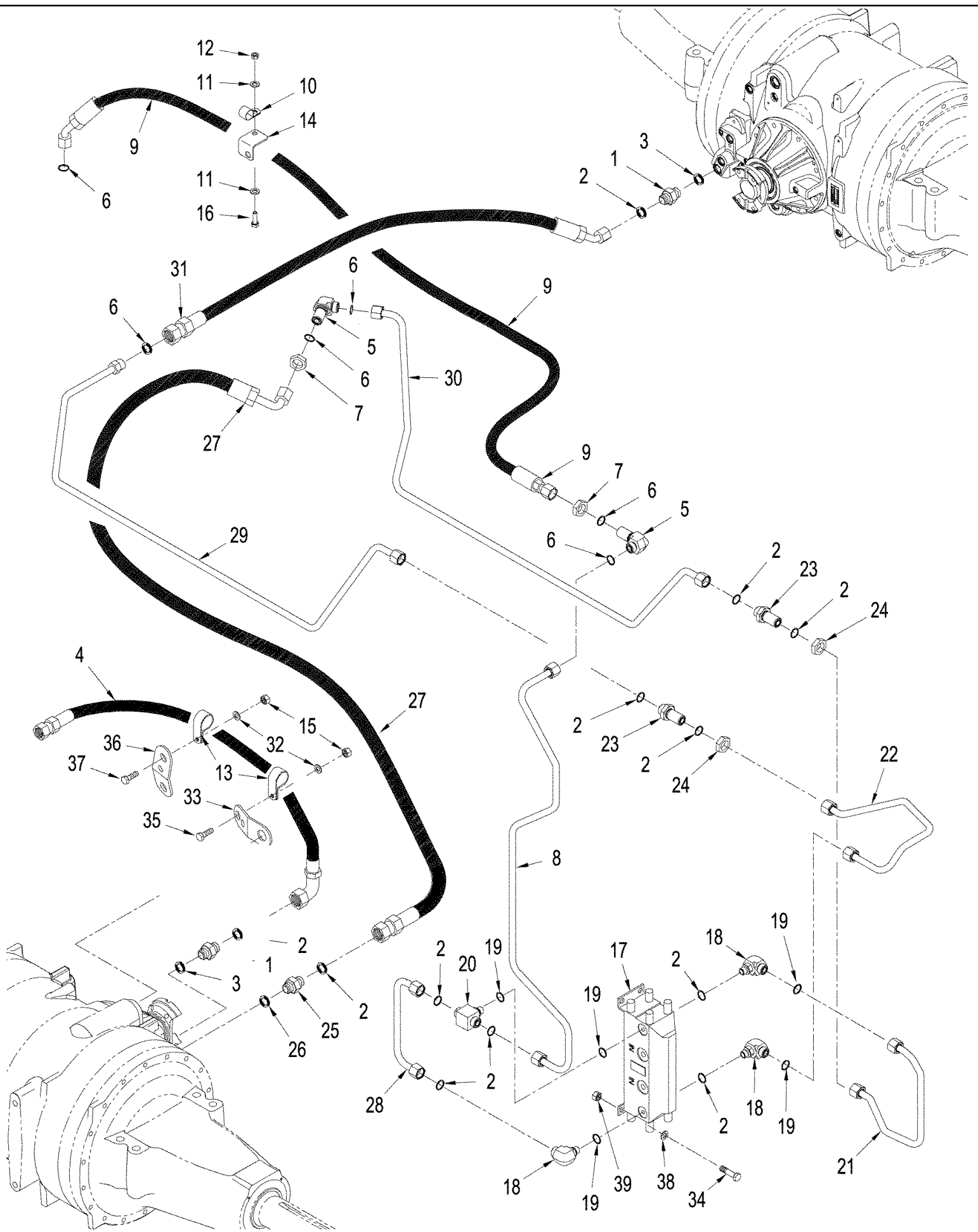
08-08 500 SERIES AXLE HYDRAULICS - LUBRICATION CIRCUIT

Ref	Part Number	Qty	Description
1	86639058	2	TEE, 13/16"-16 ORFS x M22 x 1.5 ORB Run, Inc. 2, 3
2	9992298	15	O-RING, -014, 90 Duro, .489" ID x .070" Thk,
3	86639044	5	O-RING, CI 6, 19.3MM ID x 2.2 Thk,
4	86579676	4	CONNECTOR, HYD., 13/16"-16 ORFS x M18 x 1.5 ORB, Inc. 2, 6
5	449815A2	1	TUBE ASSY.,
6	86639043	3	O-RING, 15,3 ID x 2,2
7	353607A3	1	HOSE ASSY., 2165 mm (85 in)
8	87413874	1	HOSE ASSY.,
9	507586	6	CLAMP, HOSE, #20, 0.81/1.75 Type F Worm, No. 20
10	451013A1	2	TUBE ASSY., Jumper
11	353649A1	1	HOSE, 1346 mm (53 in), Cut From : 443082A1
12	87376395	1	TUBE, HYD,
13	87390647	1	HOSE, Rear Axle to Hydraulic Tank
14	395933A1	1	HOSE, 356 mm (14 in), Cut From : S118383
15	80167266	1	O-RING,
16	411104A2	1	VALVE, Regulator, See Figure: 08-11
17	86579675	1	CONNECTOR, HYD., 13/16"-16 ORFS x M16 x 1.5 ORB, Inc. 2, 19
18	9672548	2	O-RING, -011, 70 Duro, .301" ID x .070" Thk,
19	86642449	1	O-RING, CI 6, 13.3MM ID x 2.2 Thk,
20	413338A1	1	TUBE ASSY., Jumper
21	449800A1	1	TUBE ASSY.,
22	86579676	1	CONNECTOR, HYD., 13/16"-16 ORFS x M18 x 1.5 ORB, Inc. 23, 24
23	9992298	1	O-RING, -014, 90 Duro, .489" ID x .070" Thk,
24	128999	2	O-RING, -111, 70 Duro, .424" ID x .103" Thk,
25	87307521	2	TUBE ASSY.,
26	86639079	1	ELBOW, 90e, 13/16"-16, ORFS, Blkhd, Inc. 2
27	87400028	2	ORIFICE, Pinnion Cover
28	86639083	3	NUT, LOCK, 13/16"-16, ORFS Blkhd,
29	X4837565	2	FITTING, 13/16 fc sl x blkhd, Inc. 2
30	449813A2	1	TUBE ASSY.,
32	43234	2	BOLT, Hex, M8 x 25, 10.9,
33	358968A1	1	COUPLING, M18 orb x 1,5, Diagnostic, Inc. 3
34	43362	6	NUT, M8, CI 10,
35	86639043	1	O-RING, 15,3 ID x 2,2 mm
36	392690A1	1	COUPLING, Diagnostic
37	399032A1	1	CAP, Dust
38	390348A1	2	STEM, M33 orb x barb, Axle Drain, Inc. 39
39	86639046	2	O-RING, CI 6, 29.6MM ID x 2.9 Thk,
40	334783A1	1	SLEEVE,
41	L18331	2	STRAP, CABLE,
42	9992307	4	ELBOW, 90e, 13/16"-16 x 3/4"-18 Adj, ORFS, Inc. 43, 2
43	86642448	1	O-RING, CI 6, 9.3MM ID x 2.2 Thk,
44	87307544	1	TUBE ASSY.,
45	86579678	2	CONNECTOR, HYD., 13/16"-16 ORFS x M22 x 1.5 ORB, Inc. 2, 3
46	700-447	1	TEE, 13/16"-16 ORFS x M22 x 1.5 ORB Br, Inc. 2

TJ530 TRACTOR (1/06-) - Hydraulic System

08-08 500 SERIES AXLE HYDRAULICS - LUBRICATION CIRCUIT

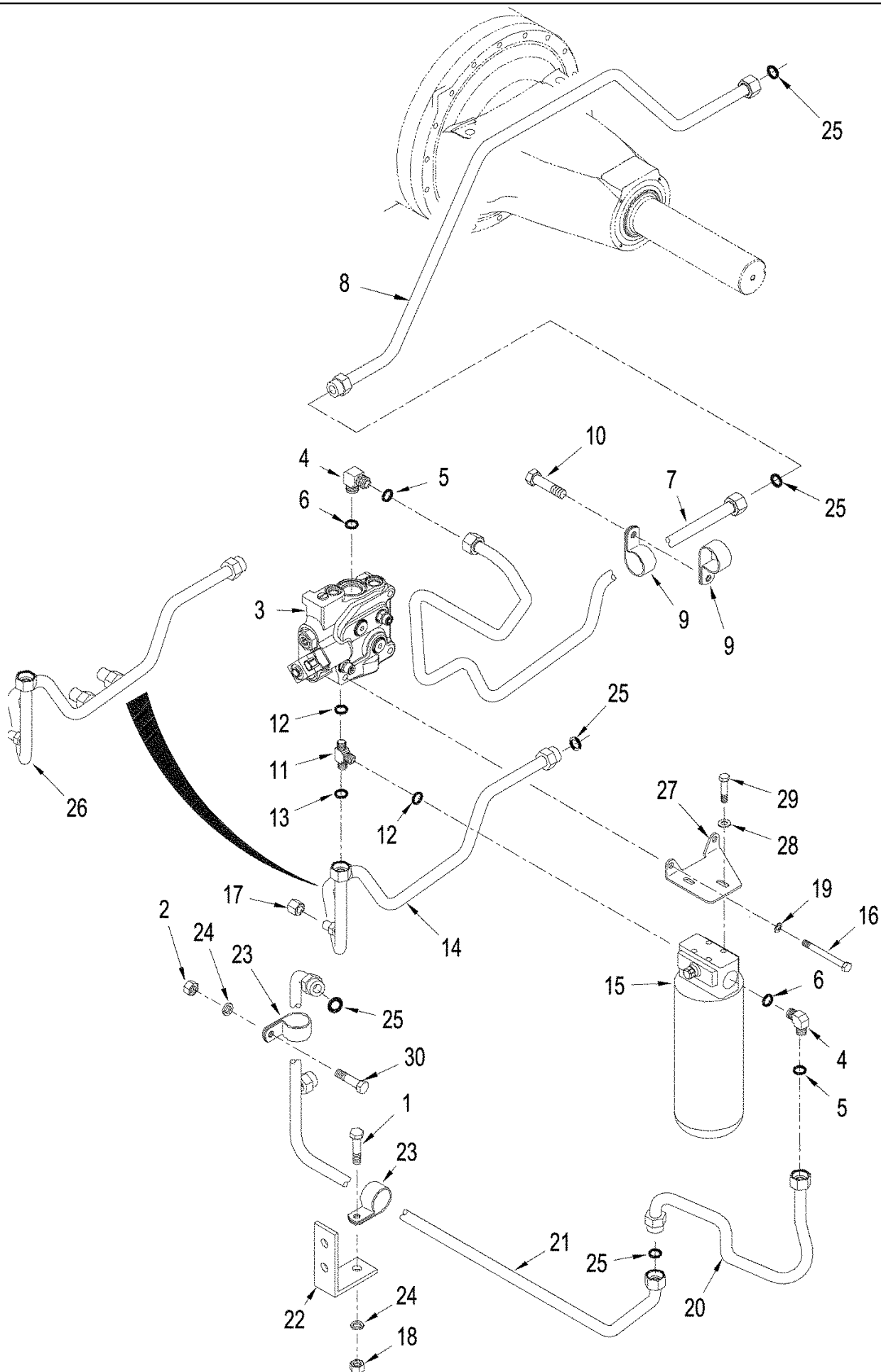
Ref	Part Number	Qty	Description
47	86590562	1	PLUG, Hex Soc, 3/4"-16 ORB, Soc Hd, 3/4" or, Inc. 56
48	434727A1	1	MOTOR-PUMP, Axle Air / Lube
49	87400024	2	TUBE ASSY., Final Drive, Long
50	409614A1	1	TUBE ASSY., Return
51	253105A1	2	U-BOLT,
52	396490A1	2	U-BOLT,
53	86624184	16	WASHER, M8 x 16 x 1.6,
54	86528579	8	NUT, LOCK, M8 x 1.25, CI 10,
55	409609A1	2	PLATE,
56	167266	1	O-RING, 12-1, 90 Duro, .924 ID x .116" Thk,
31	9993141	3	O-RING, -012, 90 Duro, .364" ID x .070" Thk,



TJ530 TRACTOR (1/06-) - Hydraulic System

08-09 500 SERIES AXLE HYDRAULICS - AIR AND LUBRICATION CIRCUIT

Ref	Part Number	Qty	Description
1	86579676	2	CONNECTOR, HYD., 13/16"-16 ORFS x M18 x 1.5 ORB, Inc. 2, 3
2	9992298	12	O-RING, -014, 90 Duro, .489" ID x .070" Thk,
3	86639043	1	O-RING, 15,3 ID x 2,2
4	436864A1	1	HOSE ASSY., 533 mm (21")
5	86639079	2	ELBOW, 90e, 13/16"-16, ORFS, Blkhd, Inc. 6, 7
6	9992298	3	O-RING, -014, 90 Duro, .489" ID x .070" Thk,
7	86639083	1	NUT, LOCK, 13/16"-16, ORFS Blkhd,
8	87381645	1	TUBE, Air Supply, Pump Motor
9	86992953	1	HOSE ASSY., 1715 mm (67-1/2 in)
10	86637979	3	CLAMP, 13/16", Insul, 3/8" Bolt,
11	86624184	2	WASHER, M8 x 16 x 1.6,
12	43362	2	NUT, M8, CI 10,
13	515-23190	2	CLAMP, 3/4", Insul, 3/8" Bolt, P-type
14	416102A1	1	SUPPORT, Bracket
15	43362	7	NUT, M8, CI 10,
16	43234	1	BOLT, Hex, M8 x 25, 10.9,
17	434727A1	2	MOTOR-PUMP, Axle Air / Lube
18	87016877	3	ELBOW, 90e, 13/16"-16 x 9/16"-18, Adj, ORFS, 90, M12 or x 13/16 fc sl, Inc. 2, 19
19	86642448	3	O-RING, CI 6, 9.3MM ID x 2.2 Thk,
20	87323932	1	FITTING, Special, 1/2 or x fc sl, Inc. 2, 19
21	449817A2	1	TUBE ASSY.,
22	86992542	1	TUBE ASSY.,
23	X4837565	2	FITTING, 13/16 fc sl x blkhd, Inc. 2
24	86639083	2	NUT, LOCK, 13/16"-16, ORFS Blkhd,
25	86579678	1	CONNECTOR, HYD., 13/16"-16 ORFS x M22 x 1.5 ORB, Inc. 2, 26
26	86639044	1	O-RING, CI 6, 19.3MM ID x 2.2 Thk,
27	87400117	1	HOSE ASSY., 2299 mm (90-1/2 in), Used without Power Take Off
28	449825A1	1	TUBE ASSY., Air Lube
29	449794A1	1	TUBE ASSY., Return, Charged Pressure
30	449823A1	1	TUBE ASSY.,
31	86993937	4	HOSE ASSY., 1194 mm (47 in)
32	86624184	4	WASHER, M8 x 16 x 1.6,
33	417271A1	1	BRACKET,
34	89515003	4	SCREW,
35	120104	1	BOLT, Hex, M8 x 20, 8.8,
36	417272A1	1	BRACKET,
37	43235	1	BOLT, Hex, M8 x 30, 10.9,
38	86625252	4	WASHER, M10 x 21.5 x 2.5, HT,
39	86500689	4	NUT, M10, CI 10,

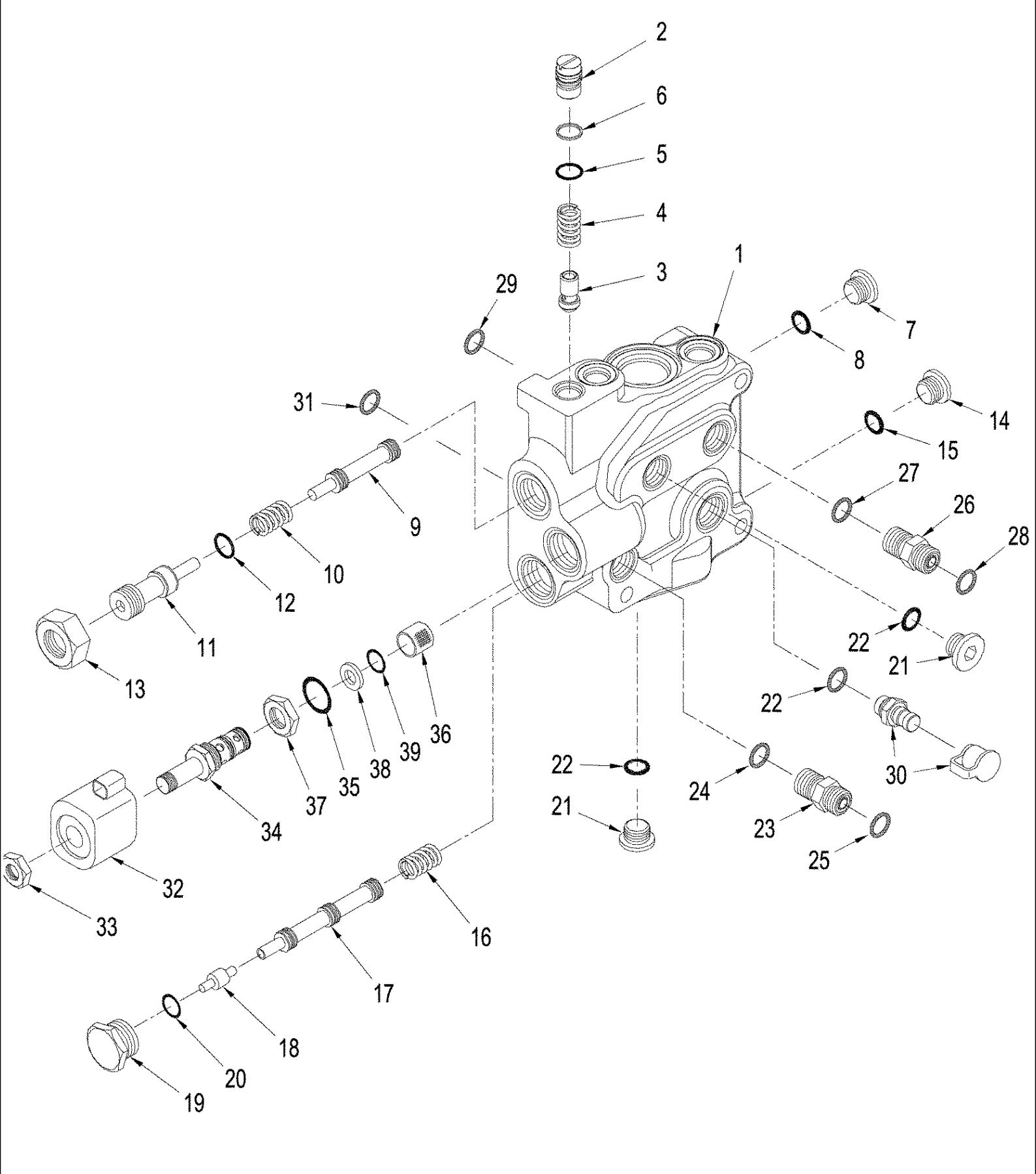


TJ530 TRACTOR (1/06-) - Hydraulic System

08-10 450 / 500 SERIES AXLE HYDRAULICS - COOLING CIRCUIT

Ref	Part Number	Qty	Description
1	43234	4	BOLT, Hex, M8 x 25, 10.9,
2	43362	3	NUT, M8, CI 10,
3	411104A2	1	VALVE, Regulator, See Figure: 08-11
4	86580180	2	ELBOW, 90°, 1 7/16"-12 ORFS x M33 x 2 ORB, Inc. 18 & 19
5	9824050	2	O-RING, -021, 90 Duro, .926" ID x .070" Thk,
6	86639046	2	O-RING, CI 6, 29.6MM ID x 2.9 Thk,
7	418818A1	1	TUBE ASSY.,
8	87439123	1	TUBE,
9	R15257	2	CLAMP,
10	9780069	2	BOLT, Hex, M8 x 40, 10.9,
11	328232A1	1	TEE, Inc. 12 & 13
12	86639046	2	O-RING, CI 6, 29.6MM ID x 2.9 Thk,
13	9824050	1	O-RING, -021, 90 Duro, .926" ID x .070" Thk,
14	87310970	1	TUBE, HYD, Pump Supply
15	86991559	1	FILTER ASSY, Main Hydraulic (Below Battery), See Figure: 08-05
16	86639150	3	BOLT, Hex, M10 x 150, 10.9,
17	9840576	1	CAP, 1"-14 ORFS, , With Electronic Three Point Hitch
18	832-10408	2	NUT, LOCK, M8 x 1.25, CI 8,
19	86625251	2	WASHER, M10 x 18 x 1.6,
20	418820A1	1	TUBE ASSY.,
21	416708A1	1	TUBE ASSY.,
22	451507A1	2	BRACKET,
23	86637977	3	CLAMP, 1", Insul, 5/16" Bolt,
24	86624184	3	WASHER, M8 x 16 x 1.6,
25	9824050	5	O-RING, -021, 90 Duro, .926" ID x .070" Thk,
26	418816A2	1	TUBE ASSY., Pump Supply, Used with Mega Flow Application
27	413322A1	1	BRACKET, Mounting, Main Hydraulic Filter
28	86625251	4	WASHER, M10 x 18 x 1.6,
29	9861444	4	BOLT, Hex, M10 x 20, 10.9, Full Thd,
30	627-8030	1	BOLT, Hex, M8 x 30, 10.9,

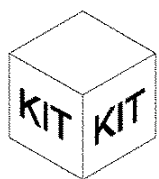
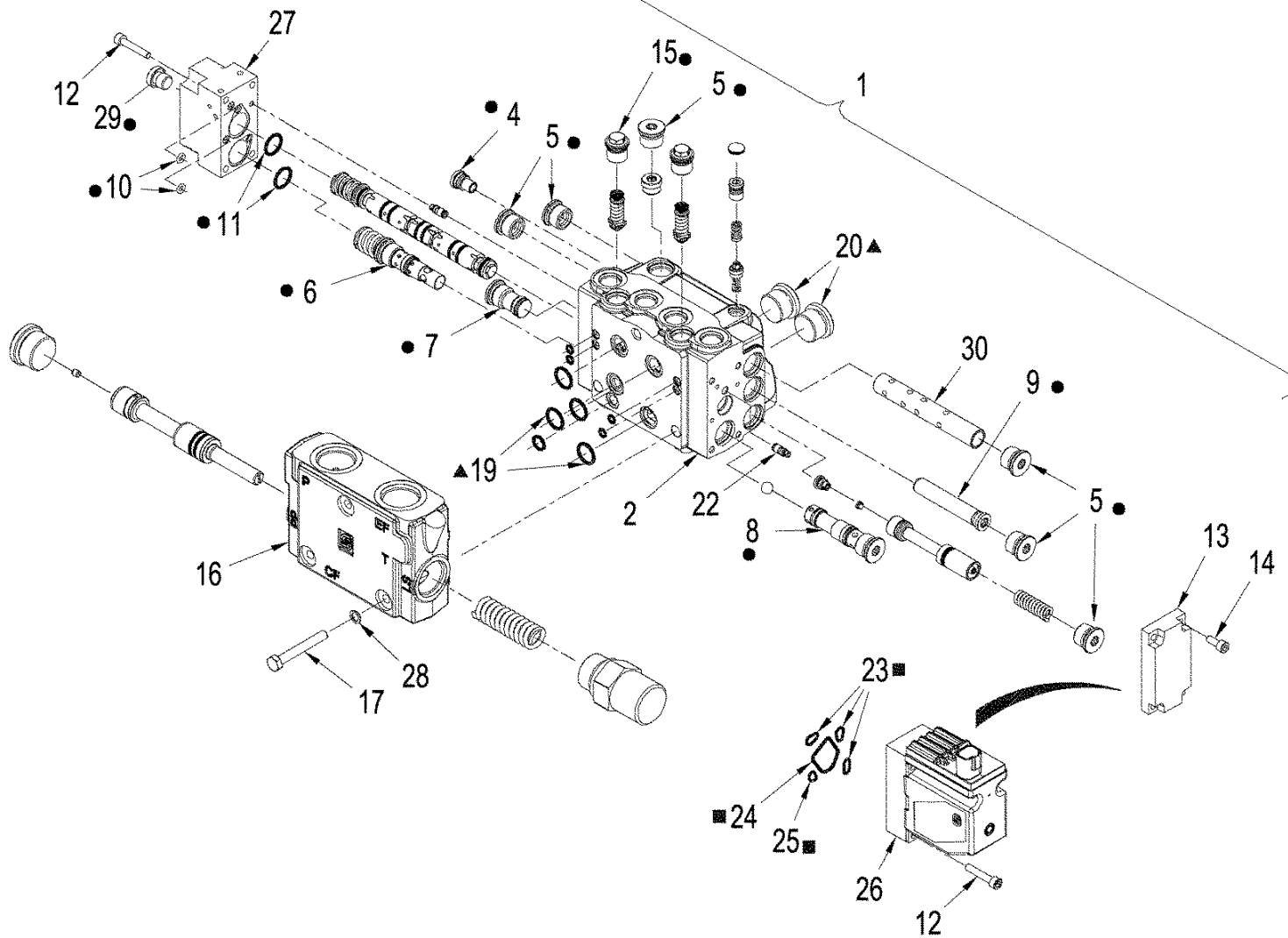
08-11 REGULATOR VALVE ASSY



TJ530 TRACTOR (1/06-) - Hydraulic System

08-11 REGULATOR VALVE ASSY

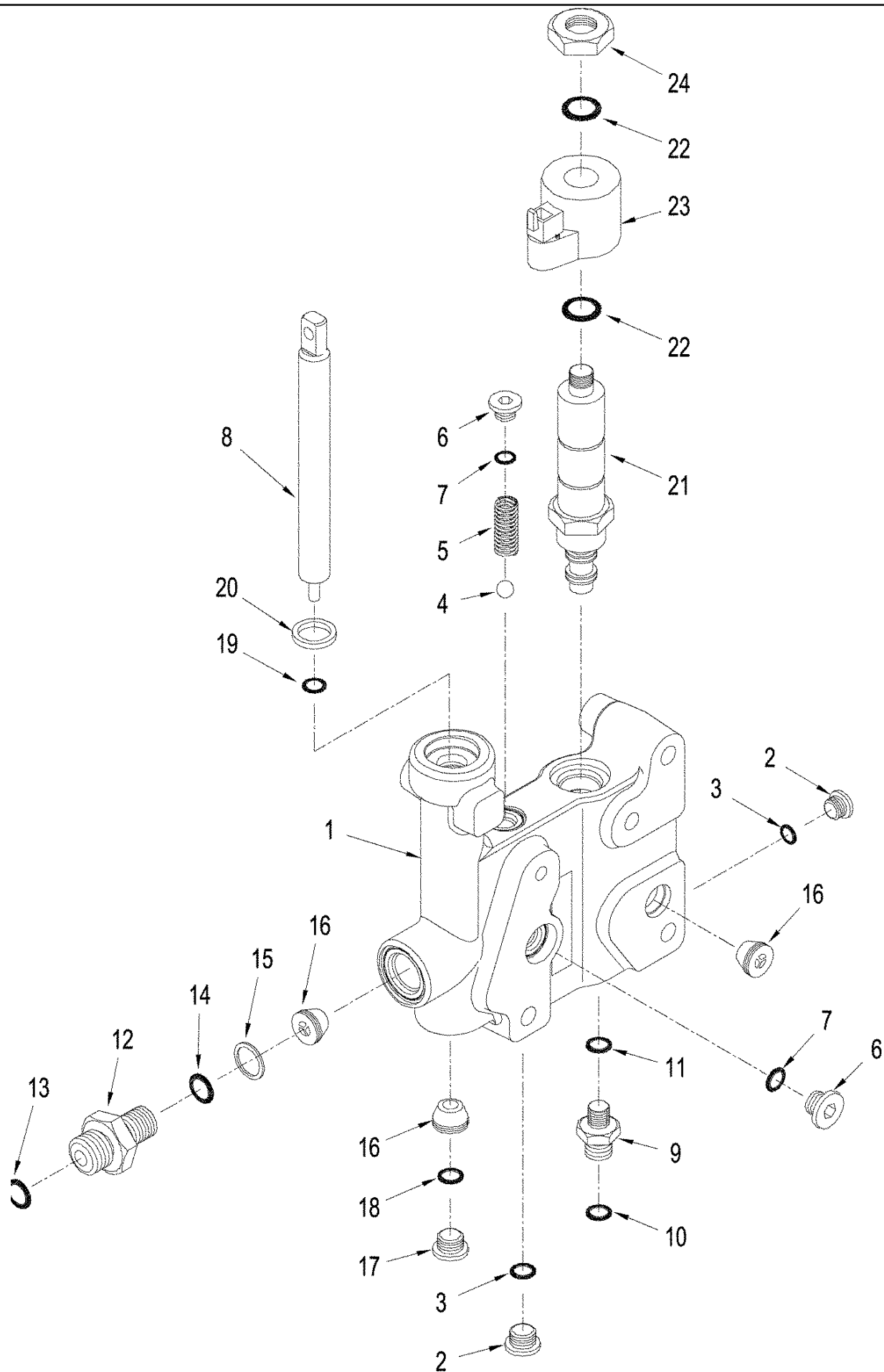
Ref	Part Number	Qty	Description
	411104A2	1	VALVE, Regulator, Inc. 1 - 36
1	NSS	1	NOT SERVICED SEPARATELY, Body
	1542563C1	1	VALVE, CHECK, Inc. 2 - 6
2	1994580C1	1	PLUG,
3	1543329C1	1	POPPET, VALVE,
4	1994581C1	1	SPRING,
5	165212	1	O-RING, -015, 90 Duro, .551" ID x .070" Thk,
6	G108723	1	RING,
7	221579A1	1	PLUG, Hex Soc, M22 x 1.5, ORB, Inc. 8
8	86639044	1	O-RING, CI 6, 19.3MM ID x 2.2 Thk,
9	119182A3	1	SPOOL,
10	176312A1	1	SPRING,
11	313941A1	1	PLUG,
12	167266	1	O-RING, 12-1, 90 Duro, .924 ID x .116" Thk,
13	86637729	1	NUT, LOCK, Bikhd, 1 1/16"-12,
	344573A1	1	PLUG, Inc. 14 - 15
14	NSS	1	NOT SERVICED SEPARATELY, Plug
15	86639044	1	O-RING, CI 6, 19.3MM ID x 2.2 Thk,
16	330105A1	1	SPRING,
17	330103A1	1	SPOOL,
18	330104A1	1	PIN,
19	9841223	1	PLUG, Hex Soc, 1 1/16"-12 ORB, Includes 20
20	9617873	1	O-RING, 6-1, 90 Duro, .468" ID x .078" Thk,
21	221578A1	3	PLUG, Hex Soc, M18 x 1.5, ORB, Inc. 22
22	86639043	3	O-RING, 15.3 ID x 2.2
	339487A2	1	CONNECTOR, HYD., Inc. 23 - 25
23	NSS	1	NOT SERVICED SEPARATELY, Adapter, 11/16 fc sl x 14 orb
24	86639042	1	O-RING, CI 6, 11.3MM ID x 2.2 Thk,
26	86579671	1	CONNECTOR, HYD., 11/16"-16 ORFS x M14 x 1.5 ORB, Inc. 27, 28
27	9992298	1	O-RING, -014, 90 Duro, .489" ID x .070" Thk,
29	86629585	1	O-RING, -118, 70 Duro, .862" ID x .103" Thk,
30	358968A1	1	COUPLING, Diagnostic, Inc. 22
31	14457081	2	O-RING, -112, CI 7, .487" ID x .103" Thk,
	87330331	1	SOLENOID, Inc. 32 - 39
32	298614A1	1	SOLENOID,
33	NSS	1	NOT SERVICED SEPARATELY, Nut
34	NSS	1	NOT SERVICED SEPARATELY, Valve, Cartridge, 2 gpm
35	167266	1	O-RING, 12-1, 90 Duro, .924 ID x .116" Thk,
36	NSS	1	NOT SERVICED SEPARATELY, Filter, Screen
37	87330336	1	SOLENOID, Solenoid Holder
38	G35540	1	RING, Backup
39	9991976	1	O-RING, -018, 90 Duro, .739" ID x .070" Thk,
25	9993141	1	O-RING, -012, 90 Duro, .364" ID x .070" Thk,
28	9993141	1	O-RING, -012, 90 Duro, .364" ID x .070" Thk,



- = 3
- ▲ = 18
- = 21

08-12 PRIORITY / STEERING CONTROL VALVE ASSEMBLY

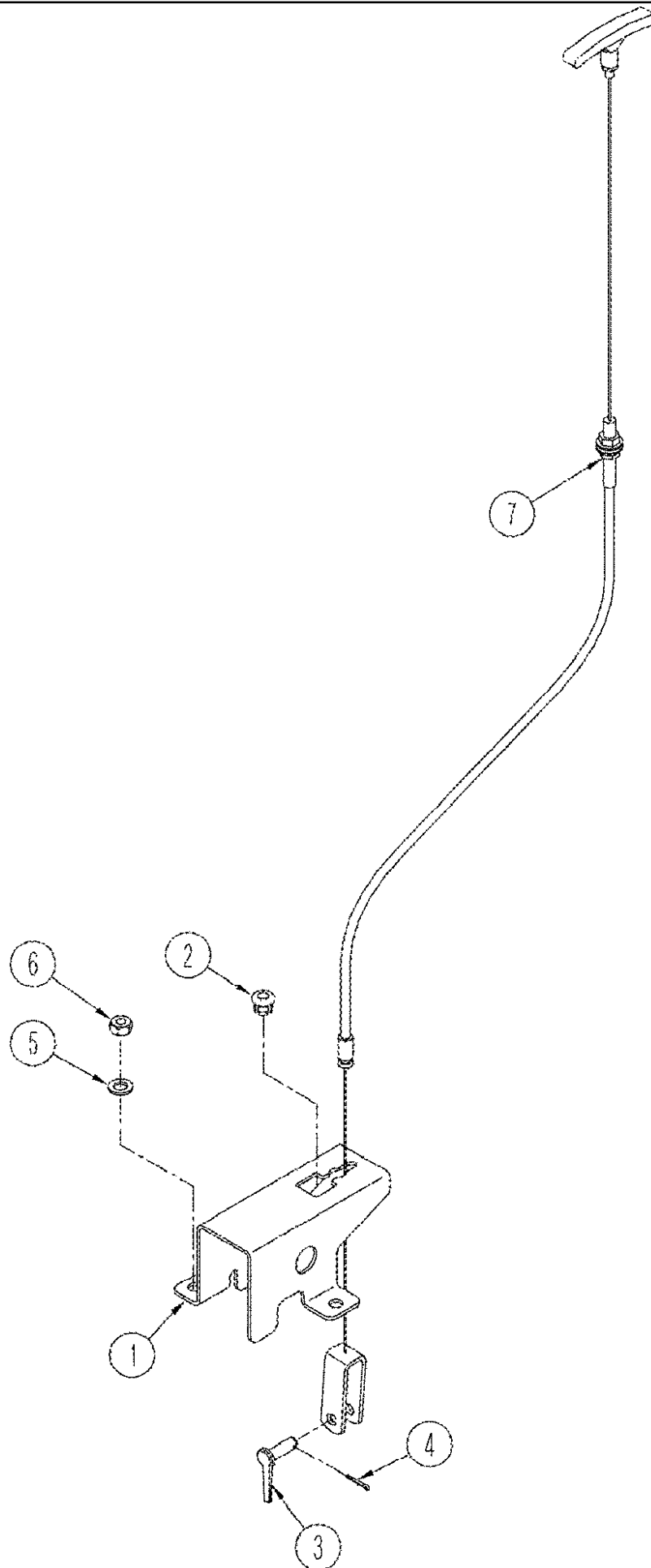
Ref	Part Number	Qty	Description
1	87442925	1	VALVE, CONTROL, Priority / EHPS, Inc. 2 - 20, BSN Z7F202170
1	87585897	1	VALVE, HYDRAULIC, Priority / EHPS, Inc. 2 - 20, ASN Z7F202170
1	87436468	1	VALVE, CONTROL, Priority / EHPS, Inc. 2 - 26, Used with INTELLIGUIDE Applications., BSN Z7F202170
1	87585898	1	VALVE, HYDRAULIC, Priority / EHPS, 2 - 26, Used with INTELLIGUIDE Applications., ASN Z7F202170
2	NSS	1	NOT SERVICED SEPARATELY, Housing, Steering Valve
3	87397327	1	KIT, SEALS, EHPS
4	NSS	1	NOT SERVICED SEPARATELY, Plug, w/ O-Ring
5	NSS	6	NOT SERVICED SEPARATELY, Plug, w/ O-Ring
6	NSS	1	NOT SERVICED SEPARATELY, Bushing, w/ O-Ring
7	NSS	1	NOT SERVICED SEPARATELY, Plug, w/ O-Ring
8	NSS	1	NOT SERVICED SEPARATELY, Plug, w/ O-Ring
9	NSS	1	NOT SERVICED SEPARATELY, Plug, w/ O-Ring
10	NSS	5	NOT SERVICED SEPARATELY, O-Ring
11	NSS	4	NOT SERVICED SEPARATELY, O-Ring
12	NSS	AR	NOT SERVICED SEPARATELY, Screw
13	NSS	1	NOT SERVICED SEPARATELY, Cover
14	NSS	4	NOT SERVICED SEPARATELY, Screw
15	NSS	2	NOT SERVICED SEPARATELY, Plug, w/ O-Ring
16	NSS	1	NOT SERVICED SEPARATELY, Housing, Priority Valve
17	NSS	3	NOT SERVICED SEPARATELY, Bolt
18	87397328	1	KIT, SEALS, OLS Priority Valve
19	NSS	2	NOT SERVICED SEPARATELY, O-Ring
20	NSS	2	NOT SERVICED SEPARATELY, Plug, w/ O-Ring
21	87397329	1	KIT, SEALS, PVE, Used with INTELLIGUIDE Applications.
22	87540544	2	VALVE, Valve, Shuttle, Used with INTELLIGUIDE Applications.
23	NSS	3	NOT SERVICED SEPARATELY, O-Ring, Used with INTELLIGUIDE Applications.
24	NSS	1	NOT SERVICED SEPARATELY, O-Ring, Used with INTELLIGUIDE Applications.
25	NSS	1	NOT SERVICED SEPARATELY, O-Ring, Used with INTELLIGUIDE Applications.
26	NSS	1	NOT SERVICED SEPARATELY, Solenoid, PVEH, Used with INTELLIGUIDE Applications.
27	NSS	1	NOT SERVICED SEPARATELY, Cover
28	NSS	3	NOT SERVICED SEPARATELY, Washer
29	NSS	1	NOT SERVICED SEPARATELY, Plug, w/ O-Ring
30	87637887	1	KIT, Steering Spool



TJ530 TRACTOR (1/06-) - Hydraulic System

08-13 TOW BLOCK VALVE ASSY

Ref	Part Number	Qty	Description
	87679712	1	VALVE, Control, Tow Block, Inc. 1 - 24
1	NSS	1	NOT SERVICED SEPARATELY, Body
2	86598044	2	PLUG, Hex Soc, M14 x 1.5, ORB, Inc. 3
3	86639042	3	O-RING, CI 6, 11.3MM ID x 2.2 Thk,
4	86637959	1	BALL, 6mm Dia, 6 mm
5	352025A1	1	SPRING, Brake
6	86598043	2	PLUG, Hex Soc, M12 x 1.5, ORB, M12 orb x 13, Inc. 7
7	86642448	2	O-RING, CI 6, 9.3MM ID x 2.2 Thk,
8	326300A1	1	SPOOL, Manual Pump
9	282839A1	1	PLUG, Inc. 10, 11
10	9993141	1	O-RING, -012, 90 Duro, .364" ID x .070" Thk,
11	86639043	1	O-RING, 15.3 ID x 2.2
12	86579678	1	CONNECTOR, HYD., 13/16"-16 ORFS x M22 x 1.5 ORB, Inc. 13, 14
13	9992298	1	O-RING, -014, 90 Duro, .489" ID x .070" Thk,
14	86639044	1	O-RING, CI 6, 19.3MM ID x 2.2 Thk,
15	86637953	1	WASHER, 11/32" x 11/16" x 0.89", HDN, 11/32 x 11/16 x 3/32
16	1994615C2	3	VALVE, CHECK,
17	86598047	1	PLUG, Hex Soc, M22 x 1.5, ORB, Inc. 18
18	86639044	1	O-RING, CI 6, 19.3MM ID x 2.2 Thk,
19	86637741	1	O-RING, -208, 70 Duro, .609" ID x .139" Thk,
20	A63399	1	SEAL, Oil Sensing
	234783A8	1	SOLENOID, Inc. 21 - 24
21	NSS	1	NOT SERVICED SEPARATELY, Solenoid
22	86637770	2	O-RING, -115, CI 7, .674" ID x .103" Thk,
23	NSS	1	NOT SERVICED SEPARATELY, Coil
24	252462A2	1	NUT,

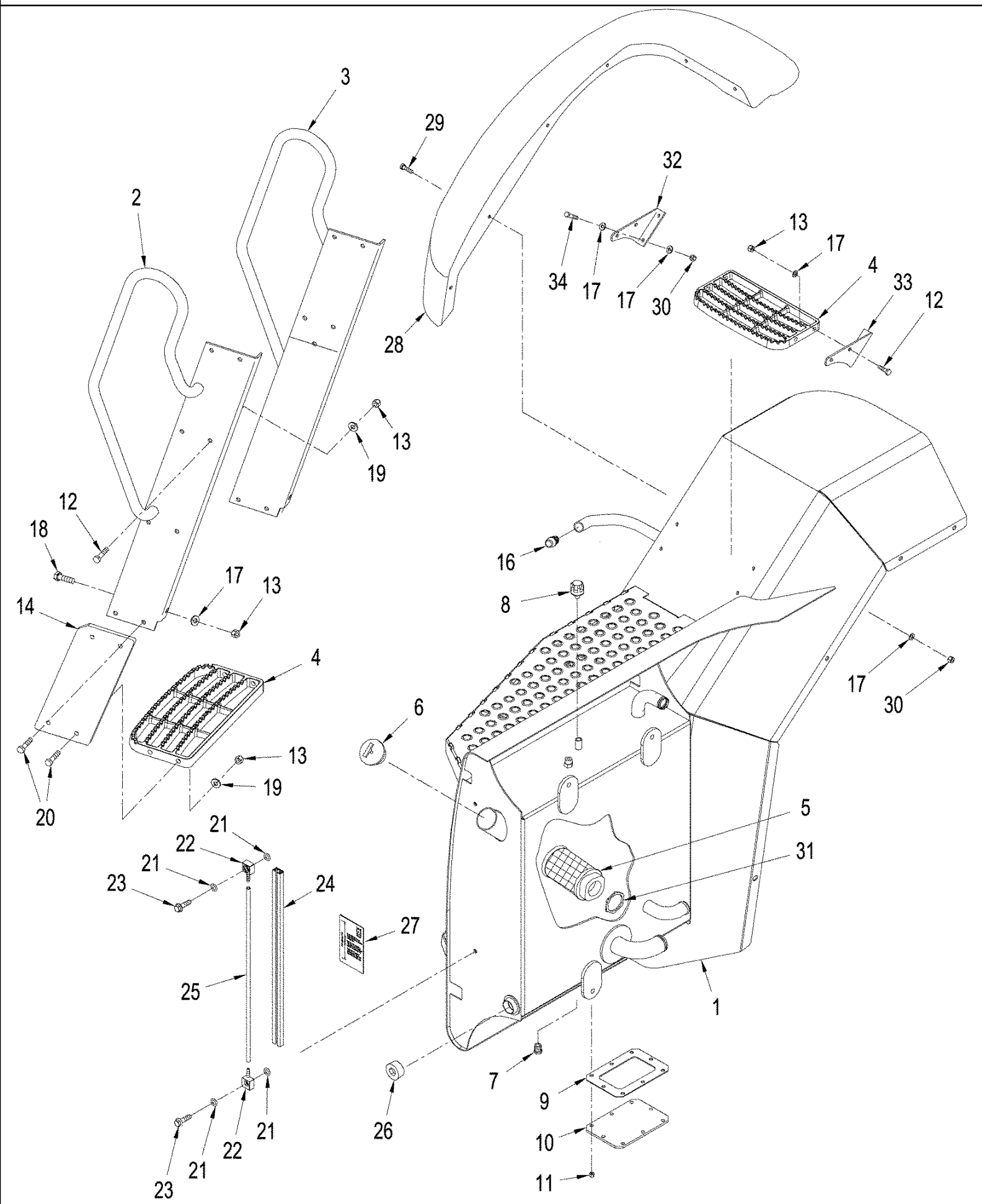


TJ530 TRACTOR (1/06-) - Hydraulic System

08-14 CABLE - TOW VALVE

Ref	Part Number	Qty	Description
1	344904A2	1	SUPPORT ASSY., Tow Valve Cable
2	A67295	1	PLUG,
3	86639013	1	PIN, CLEVIS, M8 x 25,
4	86637652	1	PIN, SPLIT (COTTER), Int, 9/64" x .054",
5	86624184	2	WASHER, M8 x 16 x 1.6,
6	43362	2	NUT, M8, CI 10,
7	349863A2	1	CABLE, Tow Valve

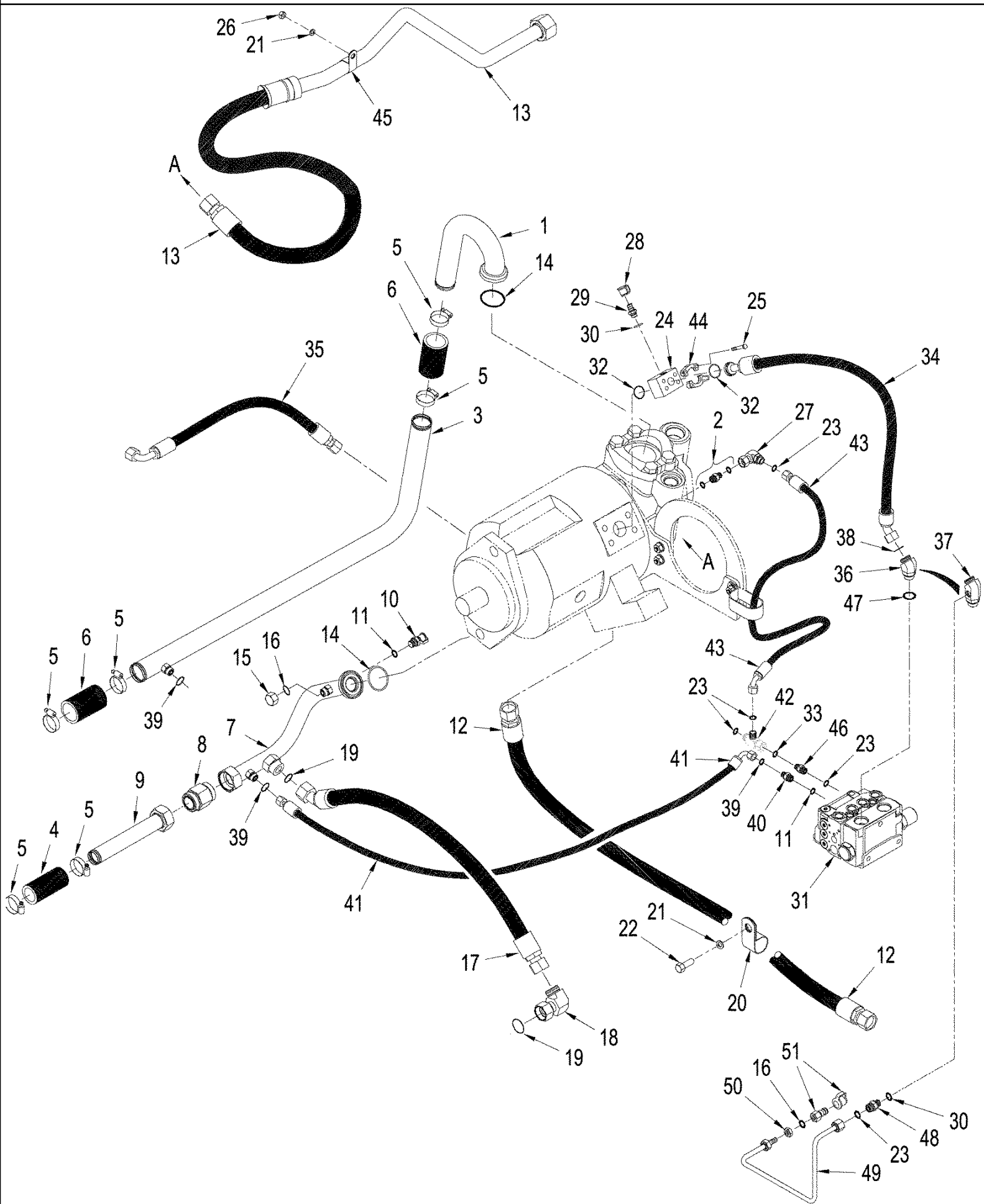
08-15 HYDRAULIC TANK



TJ530 TRACTOR (1/06-) - Hydraulic System

08-15 HYDRAULIC TANK

Ref	Part Number	Qty	Description
1	87313209	1	TANK, Hydraulic, w/ Front LH Fender
2	401394A1	1	LADDER, Rear, LH
3	401395A1	1	LADDER, Front, LH
4	87301185	5	STEP,
5	87408715	1	FILTER, STRAINER, Oil
6	254253A1	1	CAP, Oil Filter, if used
6	325737A1	1	CAP, Oil Filler, if used
7	86637723	1	PLUG, Hex Hd, 1/2"-14 NPTF,
8	1971726C1	1	BREATHER,
9	435031A1	1	GASKET, Hydraulic Access Cover
10	435030A1	1	COVER, Hydraulic Access
11	86528579	8	NUT, LOCK, M8 x 1.25, CI 10,
12	86624978	16	BOLT, Hex, M10 x 35, 10.9, Full Thd,
13	86514720	26	NUT, LOCK, M10 x 1.5
14	376530A1	2	SUPPORT, Step
15	V43471	2	BOLT,
16	363226A1	1	BUMPER,
17	86624176	10	WASHER, M10 x 20 x 2,
18	86636816	2	BOLT, CARRIAGE, M10 x 25; 8.8
19	86639325	8	WASHER, M10 x 24.5 x 3, HT,
20	86508618	8	BOLT, Hex, M10 x 45, 10.9,
21	337248A1	4	O-RING,
22	352767A1	2	CONNECTOR, HYD., Sight Gauge
23	86511845	2	BOLT, Hex Flg, M10 x 35, 8.8,
24	349869A1	1	CHANNEL, Sight Gauge
25	355179A1	1	HOSE, Sight Gauge
26	86637725	1	PLUG, Hex Soc, 1 1/4"-11 1/2 NPTF,
27	434856A1	1	DECAL, Hydraulic Oil Level, See Figure: 09-55
28	397307A3	1	FENDER, FRONT, Flare, LH
29	86624978	6	BOLT, Hex, M10 x 35, 10.9, Full Thd,
30	86500689	10	NUT, M10, CI 10,
31	435032A1	1	NUT, LOCK,
32	87442437	1	BRACKET, Step Support, Outboard
33	87442438	1	BRACKET, Step Support, In-board
34	627-10025	4	BOLT, Hex, M10 x 25, 10.9, Full Thd,



TJ530 TRACTOR (1/06-) - Hydraulic System

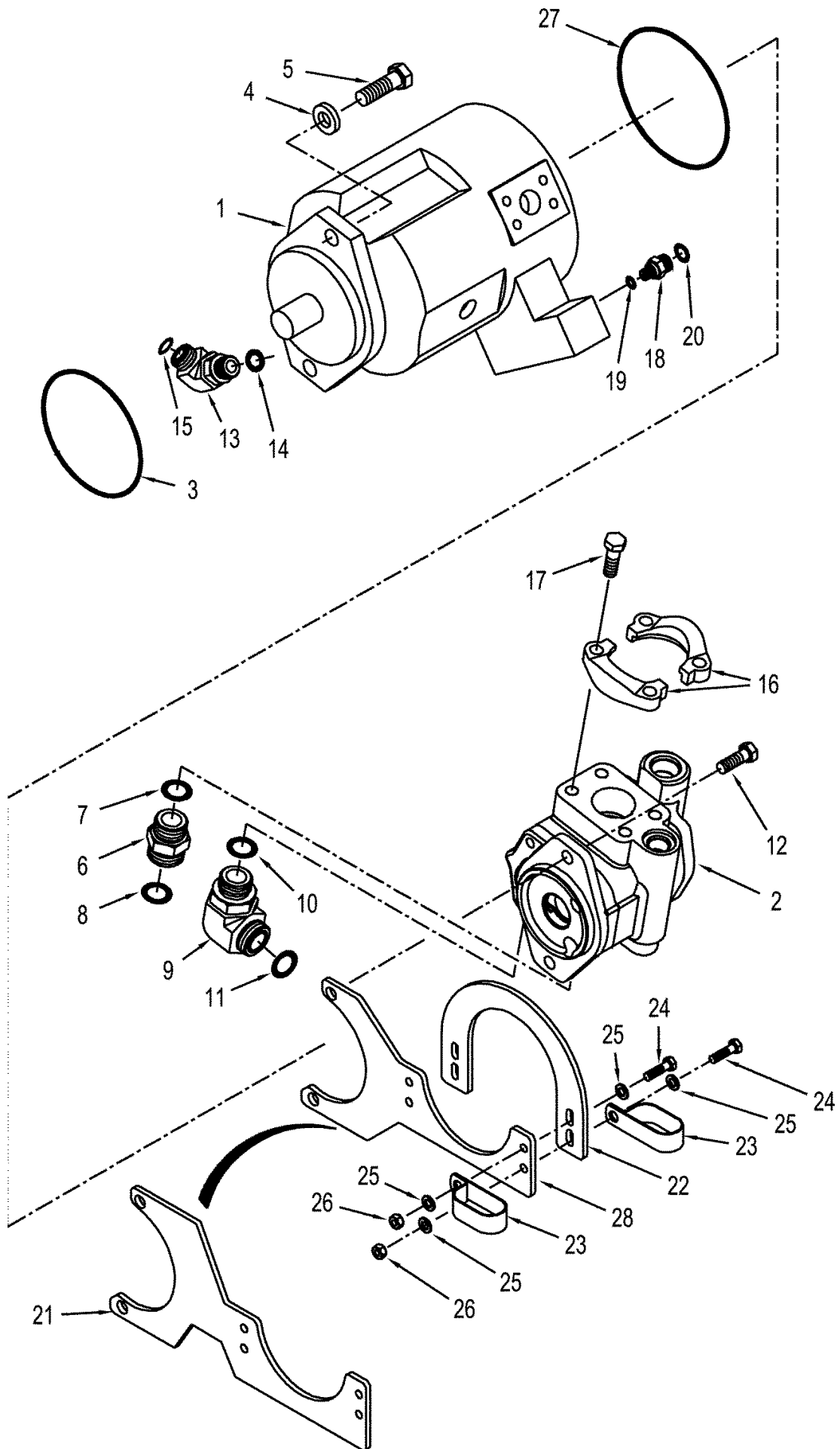
08-17 STANDARD HYDRAULICS - PUMP LUBRICATION CIRCUIT, POWER SHIFT TRANSMISSION

Ref	Part Number	Qty	Description
1	402484A2	1	TUBE ASSY.,
2	87400492	1	SCREEN, FILTER, with O-Rings
3	419665A2	1	TUBE ASSY.,
4	435413A1	1	HOSE, 114 mm (4-1/2 in)
5	86624194	6	CLAMP, HOSE, #36, 1.81/2.75 Type F Worm,
6	435454A1	2	HOSE, 102 mm (4 in), Cut From : 443069A1
7	87438195	1	TUBE ASSY., Inc. 15 & 16
8	87545498	1	VALVE, CHECK,
9	87307318	1	TUBE ASSY.,
10	358968A1	1	COUPLING, M18 orb x 1,5, Diagnostic, Inc. 11
11	86639043	1	O-RING, 15.3 ID x 2.2
12	327466A1	1	HOSE, 1486 mm (58")
13	87357616	1	HOSE,
14	86637769	2	O-RING, -228, 90 Duro, 2.234" ID x .139" Thk,
15	701-900	1	CAP, 11/16"-16 ORFS, Inc. 16
16	238-6012	2	O-RING, -012, 90 Duro, .364" ID x .070" Thk,
17	335104A2	1	HOSE ASSY., 925 mm (36 in), Regulator Valve to Piston Pump
18	84989413	1	ELBOW, 90e, 1 7/16"-12 ORFS x 1 7/16"-12 Fem Sw, Inc. 19
19	9824050	1	O-RING, -021, 90 Duro, .926" ID x .070" Thk,
20	86639002	1	CLAMP, 1 3/8", Insul, 7/16" Bolt,
21	86624184	12	WASHER, M8 x 16 x 1.6,
22	43235	1	BOLT, Hex, M8 x 30, 10.9,
23	238-6012	4	O-RING, -012, 90 Duro, .364" ID x .070" Thk,
24	398274A2	1	BLOCK,
25	86637941	4	SCREW, Hex Soc Hd, 3/8"-16 x 2 3/4",
26	9515003	2	BOLT, Hex, M10 x 30, 10.9, Full Thd,
27	701-319	1	ELBOW, 90e, 11/16"-16 ORFS x 11/16"-16 Fem Sw,
	178889A1	1	FITTING, Diagnostic, Inc. 28, 29
28	86502604	1	DUST CAP,
29	NSS	1	NOT SERVICED SEPARATELY, Fitting, Diagnostic, Inc. 30
30	86639042	1	O-RING, CI 6, 11.3MM ID x 2.2 Thk,
31	87436468	1	VALVE, CONTROL, Priority, See Figure: 08-15
32	238-6219	2	O-RING, -219, 90 Duro, 1.296" ID x .139" Thk,
33	238-6011	1	O-RING, -011, 90 Duro, .301" ID x .070" Thk,
34	87309930	1	HOSE, 840 mm (33 in), BSN Z7F202275
34	87565932	1	HOSE ASSY., 869 mm (34-1/2"), ASN Z7F202275
35	395875A1	1	HOSE ASSY., 775 mm (30-1/2")
36	86639054	1	ELBOW, 45e, 1 7/16"-12 ORFS x M33 x 2 ORB, Inc. 38 & 47, BSN Z7F202275
37	87550213	1	FITTING, 45, Special, Inc. 38 & 47, ASN Z7F202275
38	9824050	1	O-RING, -021, 90 Duro, .926" ID x .070" Thk,
39	9992298	2	O-RING, -014, 90 Duro, .489" ID x .070" Thk,
40	700-102	1	CONNECTOR, HYD., 13/16"-16 ORFS x M18 x 1.5 ORB, Inc. 11 & 39
41	87438228	1	HOSE ASSY., 1211 mm (47-1/2")
42	300209A1	1	VALVE, Shuttle
43	87389531	1	HOSE, 1820 mm (71-5/8")

TJ530 TRACTOR (1/06-) - Hydraulic System

08-17 STANDARD HYDRAULICS - PUMP LUBRICATION CIRCUIT, POWER SHIFT TRANSMISSION

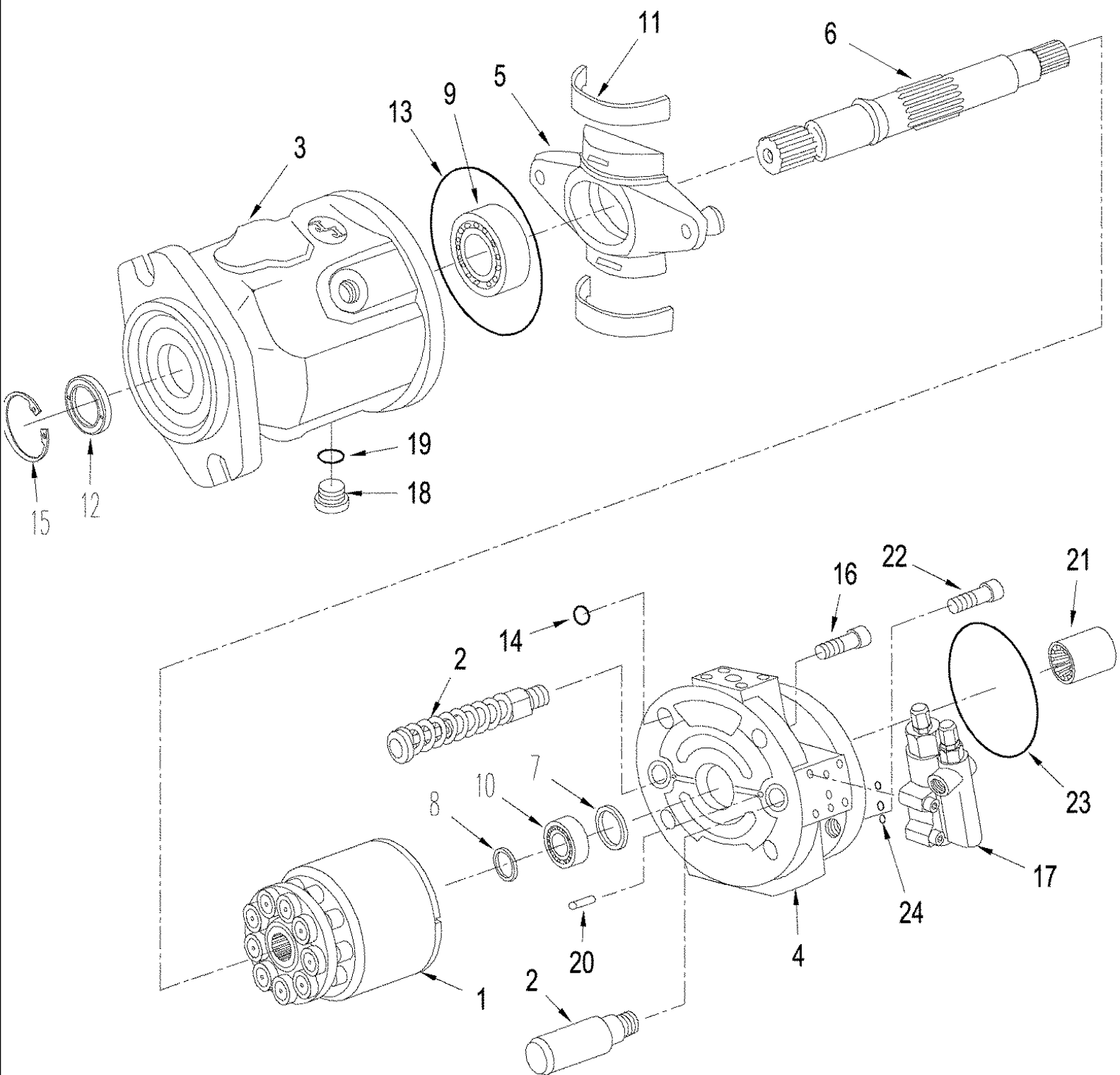
Ref	Part Number	Qty	Description
44	A12306	2	FLANGE, Split Clamp
45	515-23254	1	CLAMP, 1", Insul, 3/8" Bolt,
46	700-165	1	CONNECTOR, HYD., 11/16"-16 ORFS x M12 x 1.5 ORB, Inc. 23 & 33
47	86639046	1	O-RING, CI 6, 29.6MM ID x 2.9 Thk,
48	86579671	1	CONNECTOR, HYD., 11/16"-16 ORFS x M14 x 1.5 ORB, Inc. 23 & 30, ASN Z7F202275
49	87565927	1	TUBE, Diagnostic Priority, ASN Z7F202275
50	701-909	1	NUT, LOCK, 11/16"-16, Blkh, , ASN Z7F202275
51	190119A1	1	COUPLING, Diagnostic, ASN Z7F202275



TJ530 TRACTOR (1/06-) - Hydraulic System

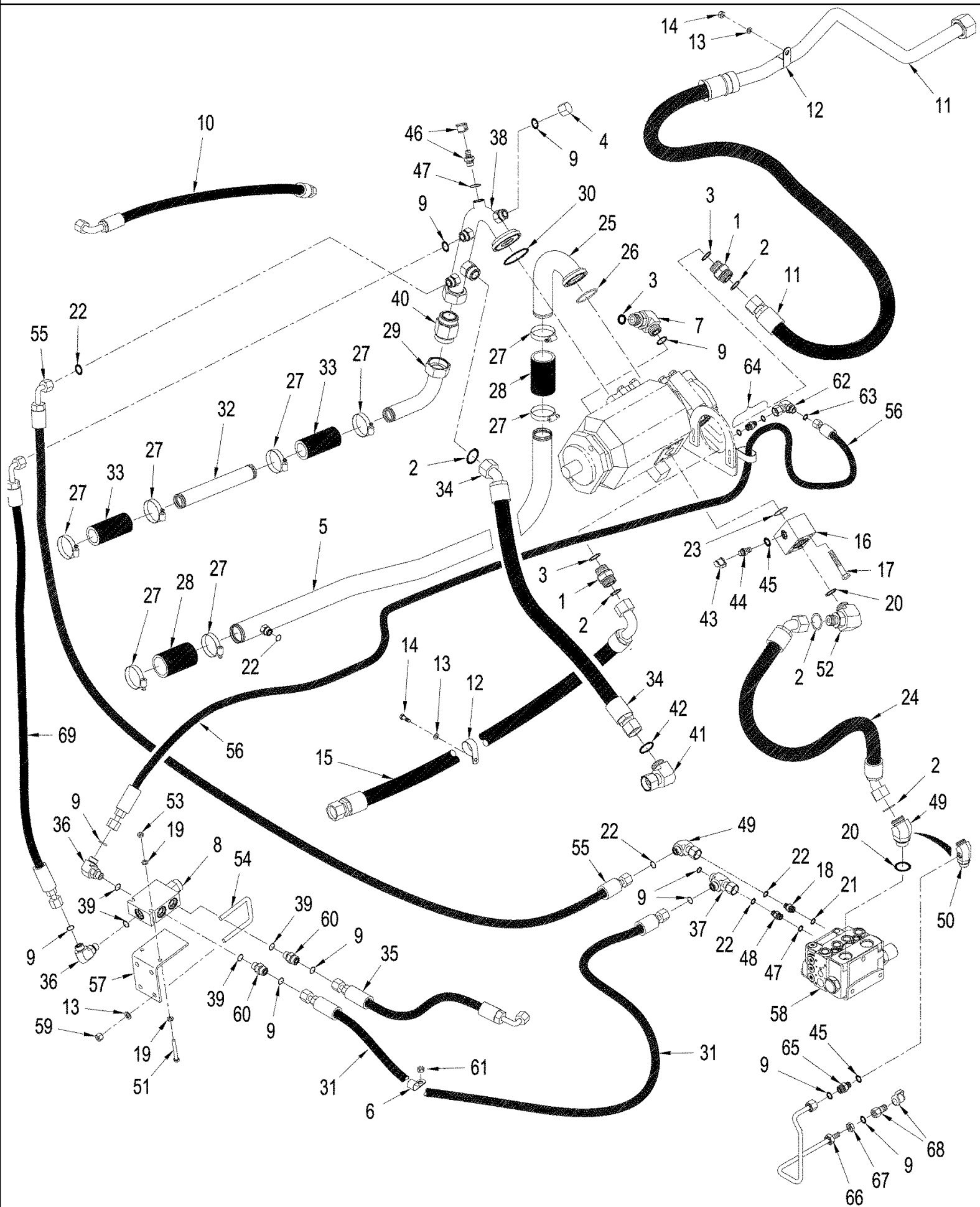
08-18 STANDARD HYDRAULICS - PUMP MOUNTING

Ref	Part Number	Qty	Description
1	87308197	1	PUMP, 71 cc, Piston, See Figure: 08-19
2	87427941	1	PUMP, HYDRAULIC, 100 cc, Gear, See Figure: 08-24
3	238-5250	1	O-RING, -250, 70 Duro, 4.984" ID x .139" Thk,
4	86637949	2	WASHER, 17/32" x 1 1/8" x .060",
5	412398	2	BOLT, Hex, M16 x 50, 10.9,
6	9824055	1	CONNECTOR, HYD., 1-7/16 fc x 1-5/16 Or, Inc. 7, 8
7	167268	1	O-RING, 16-1, 90 Duro, 1.171" ID x .116" Thk,
8	9824050	1	O-RING, -021, 90 Duro, .926" ID x .070" Thk,
9	201-308	1	ELBOW, 90e, 1 7/16"-12 x 1 5/8"-12, Adj, ORFS, Inc. 10, 11
10	167268	1	O-RING, 16-1, 90 Duro, 1.171" ID x .116" Thk,
11	9824050	1	O-RING, -021, 90 Duro, .926" ID x .070" Thk,
12	9824642	2	BOLT, Hex, M12 x 35, 10.9,
13	86505941	1	ELBOW, Inc. 14, 15
14	167269	1	O-RING, 10-1, 90 Duro, .755" ID x .097" Thk,
15	9992069	1	O-RING, -016, 90 Duro, .614" ID x .070" Thk,
16	A14141	4	FLANGE,
17	88904	8	BOLT, Hex, 1/2"-13 x 1 1/2", G8, Full Thd,
18	201-125	1	CONNECTOR, HYD., 11/16"-16 ORFS x 7/16"-20 ORB, Inc. 19 & 20
19	165202	1	O-RING, 4-1, 90 Duro, .351" ID x .072" Thk,
20	9993141	1	O-RING, -012, 90 Duro, .364" ID x .070" Thk,
21	87419158	1	BRACKET, Mounting, Tandem Pump, Manual Shift Transmission
22	87419159	1	PLATE,
23	L111928	2	CLAMP,
24	43235	4	BOLT, Hex, M8 x 30, 10.9,
25	86624184	8	WASHER, M8 x 16 x 1.6,
26	86528579	4	NUT, LOCK, M8 x 1.25, CI 10,
27	436514A1	1	O-RING,
28	87419160	1	BRACKET, Mounting, Tandem Pump, Power Shift Transmission



08-19 PISTON PUMP ASSY - STANDARD HYDRAULICS

Ref	Part Number	Qty	Description
	87308197	1	PUMP, 71 cc, Inc. 1 - 23
1	NSS	1	NOT SERVICED SEPARATELY, Cylinder Assy
2	NSS	1	NOT SERVICED SEPARATELY, Piston Assy, Control
3	NSS	1	NOT SERVICED SEPARATELY, Housing
4	NSS	1	NOT SERVICED SEPARATELY, Block
5	NSS	1	NOT SERVICED SEPARATELY, Plate, Swash
6	NSS	1	NOT SERVICED SEPARATELY, Shaft
7	NSS	1	NOT SERVICED SEPARATELY, Washer
8	NSS	1	NOT SERVICED SEPARATELY, Spacer
9	NSS	1	NOT SERVICED SEPARATELY, Bearing, Roller
10	NSS	1	NOT SERVICED SEPARATELY, Bearing, Roller
11	NSS	2	NOT SERVICED SEPARATELY, Support
12	NSS	1	NOT SERVICED SEPARATELY, Seal
13	NSS	1	NOT SERVICED SEPARATELY, O-Ring
14	NSS	4	NOT SERVICED SEPARATELY, O-Ring
15	NSS	1	NOT SERVICED SEPARATELY, Ring, Snap
16	NSS	4	NOT SERVICED SEPARATELY, Screw
17	87308198	1	COMPENSATOR, Compensator
18	NSS	1	NOT SERVICED SEPARATELY, Plug
19	NSS	1	NOT SERVICED SEPARATELY, O-Ring
20	NSS	1	NOT SERVICED SEPARATELY, Pin
21	NSS	1	NOT SERVICED SEPARATELY, Coupling
22	NSS	2	NOT SERVICED SEPARATELY, Screw
23	436514A1	1	O-RING,
24	8604965	3	O-RING,
	388293A1	1	KIT, SEALS, Inc. 12 - 14, 19, 23



TJ530 TRACTOR (1/06-) - Hydraulic System

08-21 HIGH OUTPUT HYDRAULICS - PUMP LUBRICATION, POWER SHIFT CIRCUIT

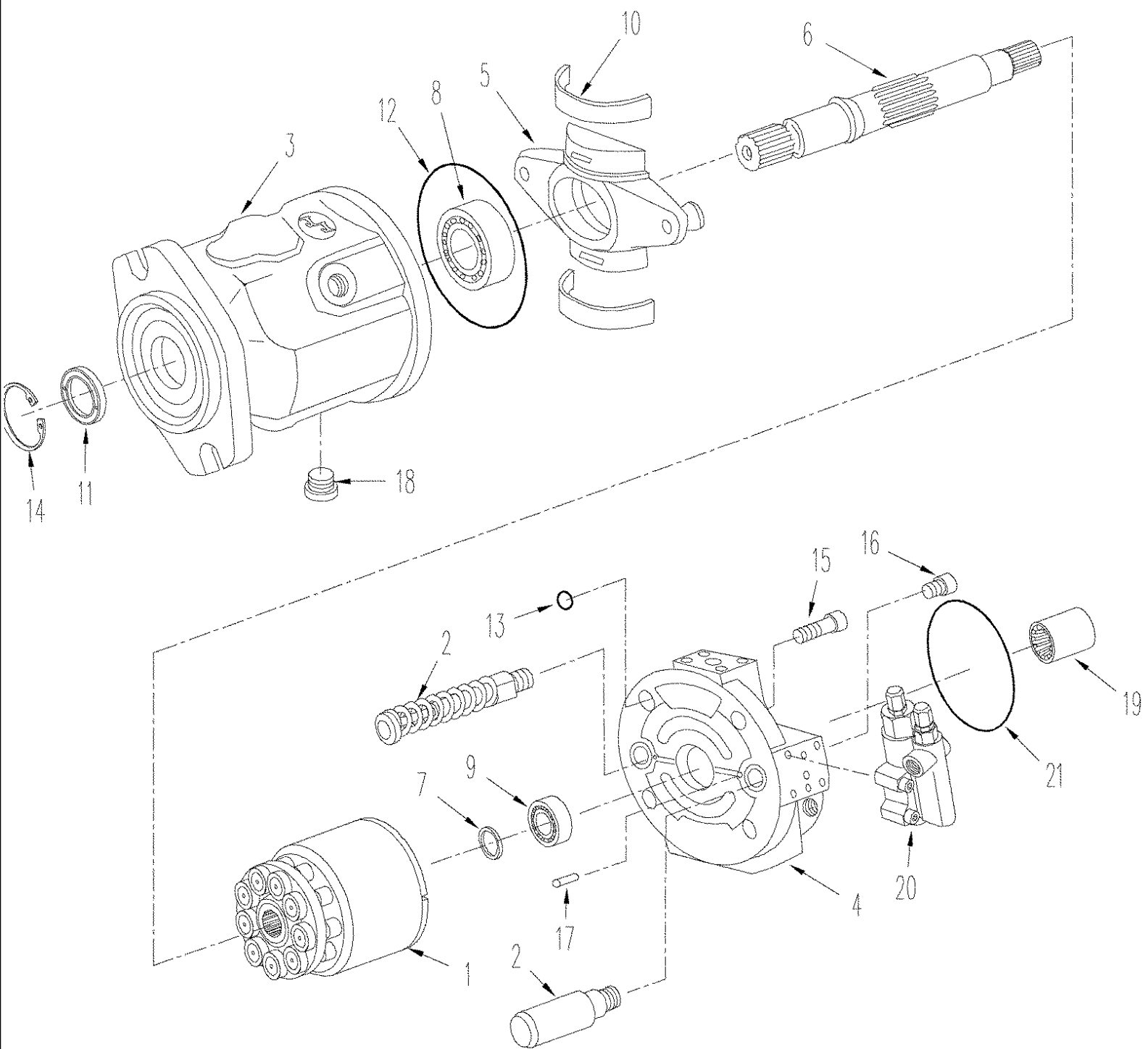
Ref	Part Number	Qty	Description
1	9824055	2	CONNECTOR, HYD., 1-7/16 fc x 1-5/16 Or, Inc. 2, 3
2	9824050	5	O-RING, -021, 90 Duro, .926" ID x .070" Thk,
3	167268	3	O-RING, 16-1, 90 Duro, 1.171" ID x .116" Thk,
4	9625546	1	CAP, 11/16"-16 ORFS,
5	413814A1	1	TUBE ASSY.,
6	515-23206	2	CLAMP, 13/16", Insul, 3/8" Bolt,
7	86637669	1	ELBOW, 90e, 1"-14 x 1 1/16"-12, Adj, ORFS, Inc. 3, 9
8	87319946	1	VALVE, Destroke Pump
9	238-6012	11	O-RING, -012, 90 Duro, .364" ID x .070" Thk,
10	363769A1	1	HOSE ASSY., 700 mm (27-1/2 in)
11	87357608	1	HOSE, 1625 mm (64 in)to Right Front Filter
12	515-23254	1	CLAMP, 1", Insul, 3/8" Bolt,
13	86624184	6	WASHER, M8 x 16 x 1.6,
14	829-1408	1	NUT, M8, CI 10,
15	335103A1	1	HOSE ASSY., 1525 mm (60 in), Charge Pump to Charge Tube
16	86992232	1	BLOCK, Pump, BSN Z7F202275
16	87565931	1	BLOCK, Pump, ASN Z7F202275
17	86637942	4	SCREW, Hex Soc Hd, 1/2"-13 x 2 1/2",
18	700-165	1	CONNECTOR, HYD., 11/16"-16 ORFS x M12 x 1.5 ORB, Inc. 21 & 22
19	86624181	4	WASHER, M6,
20	238-6222	1	O-RING, -222, 90 Duro, 1.484" ID x .139" Thk,
21	637-63093	1	O-RING, CI 6, 9.3MM ID x 2.2 Thk,
22	9992298	2	O-RING, -014, 90 Duro, .489" ID x .070" Thk,
23	9840589	1	O-RING, -029, 90 Duro, 1.489" ID x .070" Thk,
24	87441879	1	HOSE ASSY.,
25	405572A1	1	TUBE ASSY.,
26	86637769	1	O-RING, -228, 90 Duro, 2.234" ID x .139" Thk,
27	86624194	8	CLAMP, HOSE, #36, 1.81/2.75 Type F Worm,
28	435454A1	2	HOSE, 102 mm (4 in), Cut From : 443069A1
29	413812A1	1	TUBE,
30	511284	1	O-RING, -232, 70 Duro, 2.734" ID x .139" Thk,
31	87441950	1	HOSE ASSY., 724 mm (28-1/2"), to Destroke Valve Drain Port
32	87307313	1	TUBE ASSY.,
33	435413A1	2	HOSE, 114 mm (4-1/2 in), Cut From : 443067A1
34	335104A2	1	HOSE ASSY., 925 mm (36 in)
35	87434311	1	HOSE ASSY., 535 mm (21"), to Destroke Valve Sense Port
36	9840543	2	ELBOW, 90e, 11/16"-16 x 9/16"-18 Adj, ORFS, Inc. 9 & 39
37	300209A1	1	VALVE, Shuttle
38	87441760	1	TUBE ASSY., Piston Pump Supply, Inc. 9 & 67
39	9617873	2	O-RING, 6-1, 90 Duro, .468" ID x .078" Thk,
40	87545498	1	VALVE, CHECK,
41	84989413	1	ELBOW, 90e, 1 7/16"-12 ORFS x 1 7/16"-12 Fem Sw, Inc. 42
42	9824051	1	O-RING, -025, 90 Duro, 1.176" ID x .070" Thk,
	178889A1	1	FITTING, Diagnostic, Inc. 43 - 44
43	86502604	1	DUST CAP,

08-21 HIGH OUTPUT HYDRAULICS - PUMP LUBRICATION, POWER SHIFT CIRCUIT

Ref	Part Number	Qty	Description
44	NSS	1	NOT SERVICED SEPARATELY, Fitting, Diagnostic, Inc. 45
45	86639042	3	O-RING, CI 6, 11.3MM ID x 2.2 Thk,
46	358968A1	1	COUPLING, M18 orb x 1,5, Diagnostic, Inc. 47
47	86639043	1	O-RING, 15.3 ID x 2.2
48	700-102	1	CONNECTOR, HYD., 13/16"-16 ORFS x M18 x 1.5 ORB, Inc. 22 & 47
49	701-320	1	ELBOW, 90e, 13/16"-16 ORFS x 13/16"-16 Fem Sw, Inc. 22, BSN Z7F202275
50	87550213	1	FITTING, 45, Special, Inc. 2 & 22, ASN Z7F202275
51	86556136	2	BOLT, Hex, M6 x 50, 10.9,
52	700-318	2	ELBOW, 45e, 1 7/16"-12 ORFS x M33 x 2 ORB, Inc. 2 & 20
53	86500688	2	NUT, M6, CI 10,
54	396490A1	2	U-BOLT, M8
55	87441813	1	HOSE ASSY., 1403 mm (55-1/4")
56	87388638	1	HOSE, Destroke Outlet to Piston Pump Compenstator
57	87434200	1	BRACKET, Mounting, Destroke Valve
58	87442925	1	VALVE, CONTROL, Priority / EHPS, See Figure: 08-12, BSN Z7F202170
58	87585897	1	VALVE, HYDRAULIC, Priority / EHPS. See Figure: 08-12, ASN Z7F202170
59	412250	4	NUT, LOCK, M8 x 1.25, CI 8,
60	9993143	2	CONNECTOR, HYD., 11/16"-16 ORFS x 9/16"-18 ORB, Inc. 9, 39
61	86500688	2	NUT, M6, CI 10,
62	701-319	1	ELBOW, 90e, 11/16"-16 ORFS x 11/16"-16 Fem Sw,
63	238-6012	1	O-RING, -012, 90 Duro, .364" ID x .070" Thk,
64	1957867C1	1	SCREEN, FILTER, with O-Ring, ASN Z7F202275
65	700-101	1	CONNECTOR, HYD., 11/16"-16 ORFS x M14 x 1.5 ORB, Incl. 9, 45, ASN Z7F202275
66	87565927	1	TUBE, Diagnostic Priority, ASN Z7F202275
67	701-909	1	NUT, LOCK, 11/16"-16, Blkhd, , ASN Z7F202275
68	190119A1	1	COUPLING, Diagnostic, ASN Z7F202275
69	87441927	1	HOSE ASSY., 622 mm (24-1/2 in)

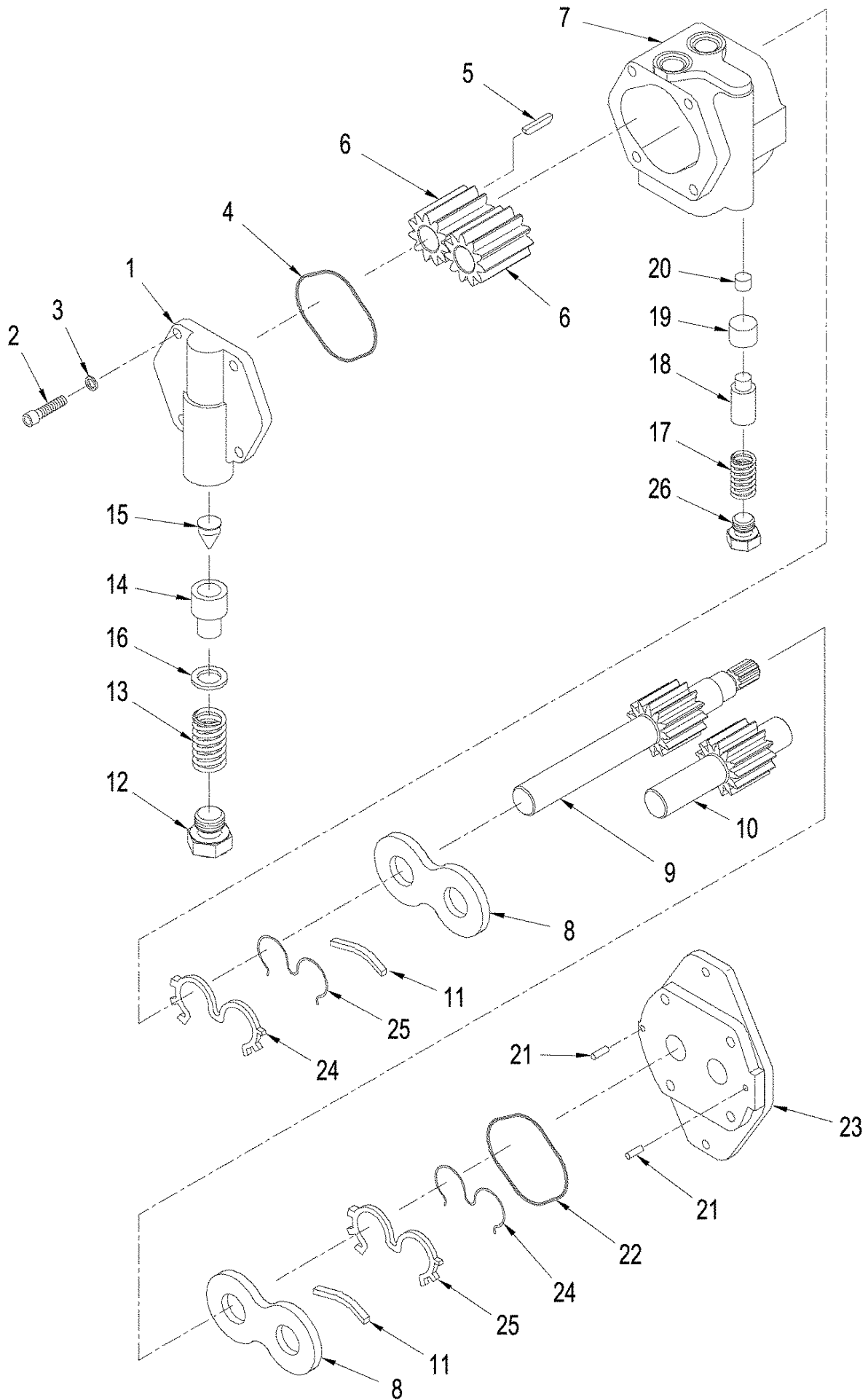
08-22 HIGH OUTPUT HYDRAULICS - PUMP MOUNTING

Ref	Part Number	Qty	Description
1	87308196	1	PUMP, 100 cc, Piston, See Figure: 08-23
2	496-81022	2	WASHER, .656" x 1.250" x .239" Thk
3	627-16050	2	BOLT, Hex, M16 x 50, 10.9,
4	510828	1	O-RING, -250, 70 Duro, 4.984" ID x .139" Thk,
5	87427941	1	PUMP, HYDRAULIC, Gear, See Figure: 08-24
6	A14141	2	FLANGE, Split
7	88904	8	BOLT, Hex, 1/2"-13 x 1 1/2", G8, Full Thd,
8	L14386	2	CLAMP, Split
9	43260	2	BOLT, Hex, M12 x 30, 10.9,
10	87419159	1	PLATE, Lower
11	87419459	1	BRACKET, Mounting, Gear / Piston Pump, Power Shift Transmission
11	87419160	1	BRACKET, Mounting, Gear / Piston Pump, Manual Shift Transmission
12	87362	8	WASHER, 5/16" SAE,
13	86528579	4	NUT, LOCK, M8 x 1.25, CI 10,
14	43235	4	BOLT, Hex, M8 x 30, 10.9,
15	L111928	2	CLAMP,
16	436514A1	1	O-RING,
17	201-125	1	CONNECTOR, HYD., 11/16"-16 ORFS x 7/16"-20 ORB, Inc. 18 & 19
18	237-6004	1	O-RING, 4-1, 90 Duro, .351" ID x .072" Thk,
19	238-6012	1	O-RING, -012, 90 Duro, .364" ID x .070" Thk,



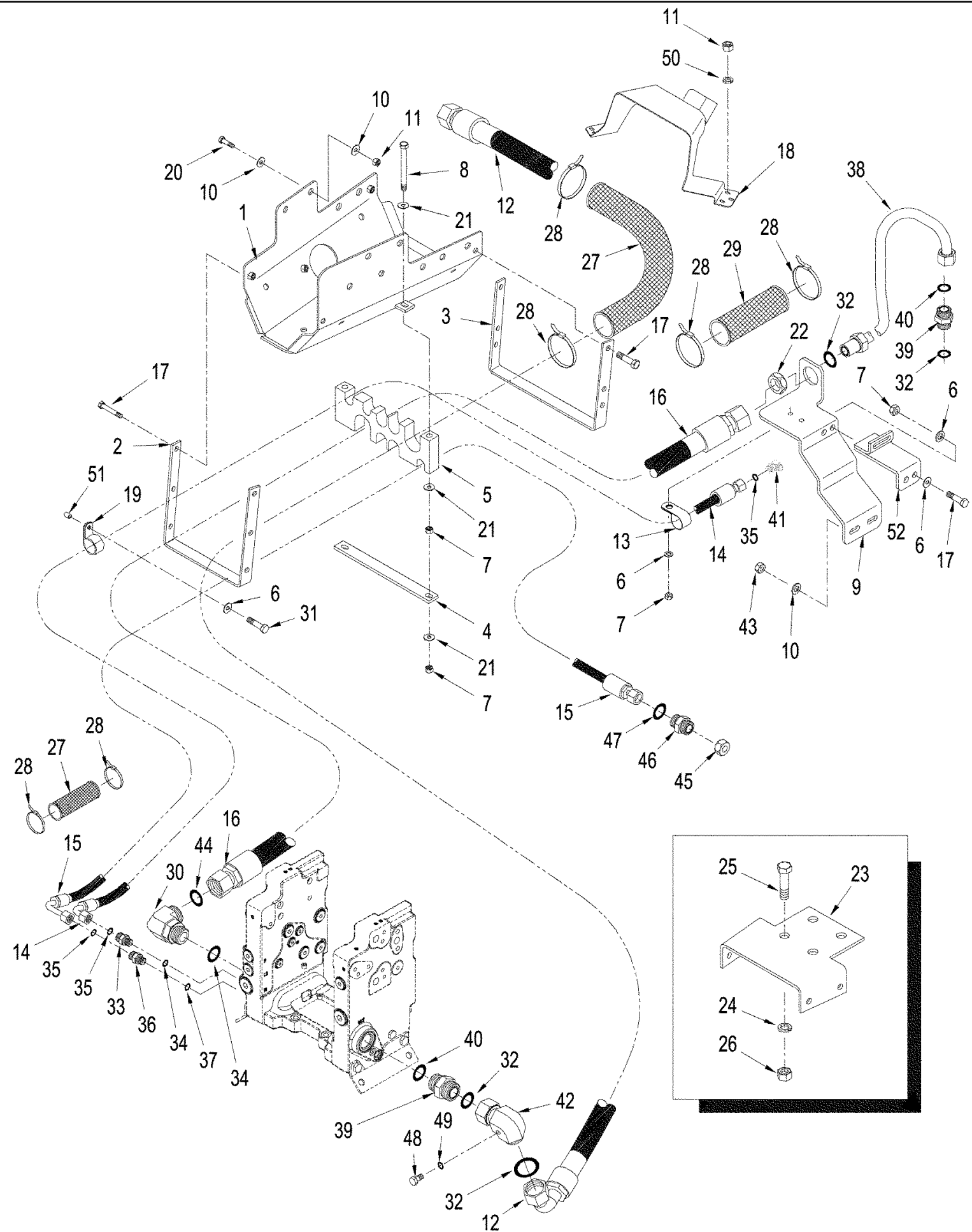
08-23 HIGH OUTPUT HYDRAULICS - PISTON PUMP ASSY

Ref	Part Number	Qty	Description
	87308196	1	PUMP, Piston, 100 cc, Inc. 1 - 20
1	NSS	1	NOT SERVICED SEPARATELY, Cylinder Assy
2	NSS	1	NOT SERVICED SEPARATELY, Piston Assy
3	NSS	1	NOT SERVICED SEPARATELY, Housing
4	NSS	1	NOT SERVICED SEPARATELY, Block
5	NSS	1	NOT SERVICED SEPARATELY, Plate, Swash
6	NSS	1	NOT SERVICED SEPARATELY, Shaft
7	NSS	1	NOT SERVICED SEPARATELY, Spacer
8	NSS	1	NOT SERVICED SEPARATELY, Bearing, Roller
9	NSS	1	NOT SERVICED SEPARATELY, Bearing, Roller
10	NSS	2	NOT SERVICED SEPARATELY, Bearing, Support
11	NSS	1	NOT SERVICED SEPARATELY, Seal
12	NSS	1	NOT SERVICED SEPARATELY, O-Ring
13	NSS	4	NOT SERVICED SEPARATELY, O-Ring
14	NSS	1	NOT SERVICED SEPARATELY, Ring, Retaining
15	NSS	4	NOT SERVICED SEPARATELY, Screw
16	NSS	1	NOT SERVICED SEPARATELY, 1-1/16"-12 Or
17	NSS	1	NOT SERVICED SEPARATELY, Pin, Dowel
18	NSS	2	NOT SERVICED SEPARATELY, Plug
19	NSS	1	NOT SERVICED SEPARATELY, Coupling
20	87308198	1	COMPENSATOR, Compensator
21	436514A1	1	O-RING,
	388292A1	1	KIT, SEALS, Inc. 11 - 13, 21



08-24 GEAR PUMP ASSY

Ref	Part Number	Qty	Description
	87427941	1	PUMP, HYDRAULIC, Gear, Inc. 1 - 26
1	NSS	1	NOT SERVICED SEPARATELY, Housing, Rear
2	NSS	8	NOT SERVICED SEPARATELY, Screw
3	NSS	8	NOT SERVICED SEPARATELY, Washer
4	NSS	1	NOT SERVICED SEPARATELY, Seal
5	NSS	1	NOT SERVICED SEPARATELY, Pin, Dowel
6	NSS	2	NOT SERVICED SEPARATELY, Gear
7	NSS	1	NOT SERVICED SEPARATELY, Housing, Gear
8	NSS	2	NOT SERVICED SEPARATELY, Plate, Thrust
9	NSS	1	NOT SERVICED SEPARATELY, Shaft, Gear
10	NSS	1	NOT SERVICED SEPARATELY, Shaft, Gear
11	NSS	2	NOT SERVICED SEPARATELY, Seal
	87427777	1	VALVE KIT, Gear Pump, 153 psi, Inc. 12 - 15
12	NSS	1	NOT SERVICED SEPARATELY, Plug
13	NSS	1	NOT SERVICED SEPARATELY, Spring
14	NSS	1	NOT SERVICED SEPARATELY, Poppet, Valve
15	NSS	1	NOT SERVICED SEPARATELY, Seat
16	NSS	1	NOT SERVICED SEPARATELY, Shim
	245847A1	1	PACKAGE, Pressure Relief, Gear Pump, 550 psi, Inc. 17 - 20, 26
17	NSS	1	NOT SERVICED SEPARATELY, Spring
18	NSS	1	NOT SERVICED SEPARATELY, Plunger
19	NSS	1	NOT SERVICED SEPARATELY, Poppet, Valve
20	NSS	1	NOT SERVICED SEPARATELY, Seat
21	NSS	2	NOT SERVICED SEPARATELY, Pin, Dowel
22	NSS	1	NOT SERVICED SEPARATELY, Seal
23	NSS	1	NOT SERVICED SEPARATELY, Housing, Front
24	NSS	2	NOT SERVICED SEPARATELY, Seal, Channel
25	NSS	2	NOT SERVICED SEPARATELY, Seal, Backup
26	NSS	1	NOT SERVICED SEPARATELY, Plug
	334450A1	1	KIT, SEALS, Repair, Inc. 11, 20, 22, 24, 25



TJ530 TRACTOR (1/06-) - Hydraulic System

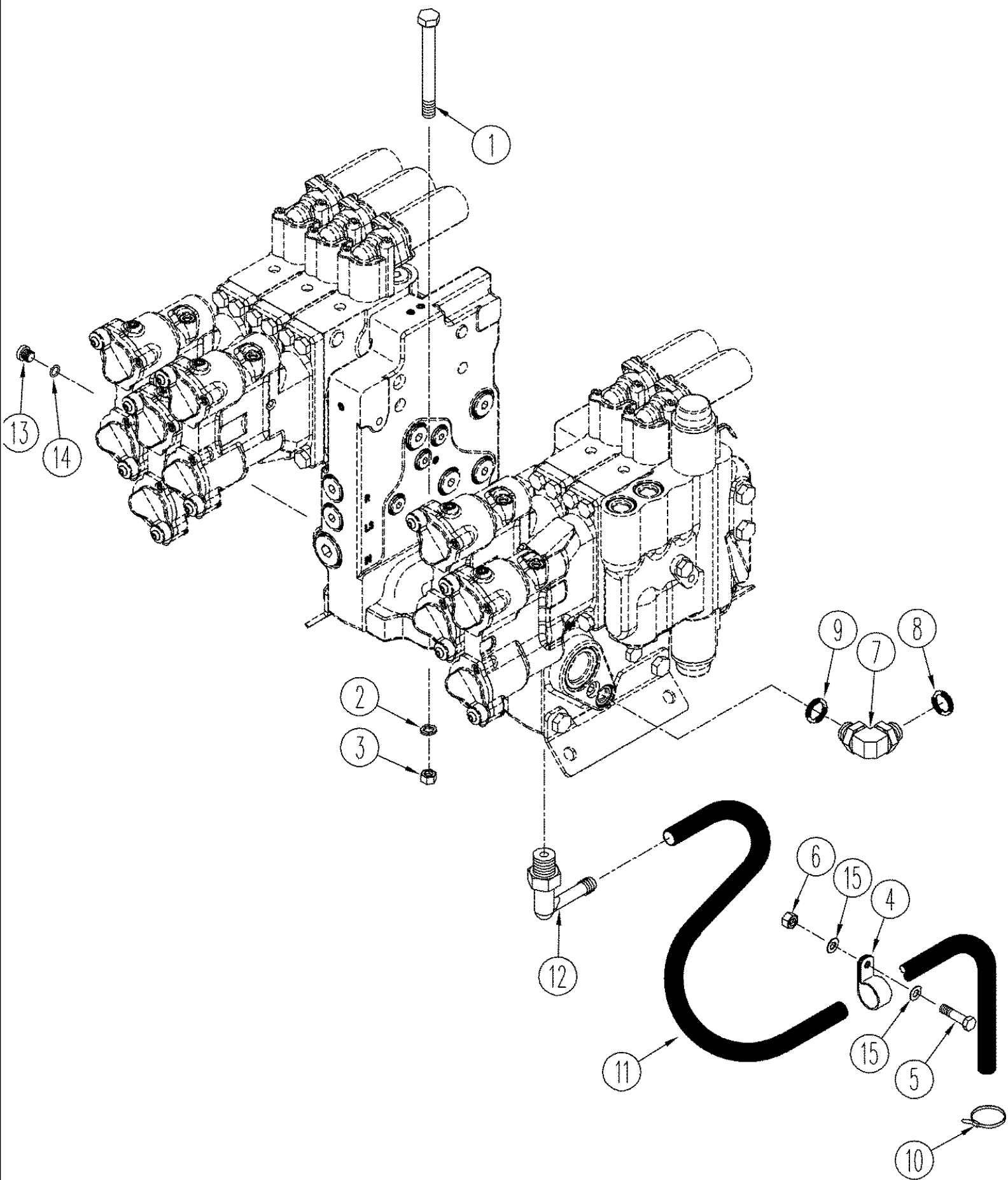
08-25 HYDRAULIC REMOTE HOSES ELECTRONIC REMOTE

Ref	Part Number	Qty	Description
1	87385879	1	BRACKET, Hoses
2	405517A1	1	BRACKET,
3	87388511	1	BRACKET,
4	405520A1	1	PLATE,
5	362419A1	1	CLAMP,
6	86624184	10	WASHER, M8 x 16 x 1.6,
7	43362	6	NUT, M8, CI 10,
8	86639040	2	BOLT, Hex, M8 x 100, 10.9, Full Thd,
9	87306262	1	BRACKET,
10	86624176	10	WASHER, M10 x 20 x 2,
11	86500689	8	NUT, M10, CI 10,
12	360134A2	1	HOSE ASSY., 3238 mm (127 in)
13	515-23206	1	CLAMP, 13/16", Insul, 3/8" Bolt,
14	87539204	1	HOSE, Regulator to Auxiliary Pump Supply, 3323 mm (131")
15	87394490	1	HOSE, Priority Valve to Auxiliary Load Sense, 4384 mm (172-1/2")
16	87438667	1	HOSE, from Priority Valve to Auxiliary Inlet, 3300 mm (130")
17	43127	7	BOLT, Hex, M8 x 25, 8.8,
18	405521A1	1	SHIELD,
19	86594406	1	CLAMP, 5/8", Insul, 3/8" Bolt,
20	86624177	4	WASHER, M12 x 24 x 2.5,
21	86625263	5	WASHER, M8 x 20 x 1.6,
22	701-908	1	NUT, LOCK, 1 7/16"-12, ORFS Blkhd,
23	404604A1	1	BRACKET, , Without Power Takeoff
24	86625266	4	WASHER, M17.5 x 30 x 4, HT,
25	827-16100	4	BOLT, Hex, M16 x 100, 10.9,
26	392530	4	NUT, M16, CI 10,
27	387840A1	2	SLEEVE, 610 mm (24 in)
28	L18331	6	STRAP, CABLE,
29	S120426	1	SLEEVE,
30	86580180	1	ELBOW, 90°, 1 7/16"-12 ORFS x M33 x 2 ORB, Includes 34, 44
31	86625003	1	BOLT, Hex, M8 x 50, 10.9,
32	9824050	4	O-RING, -021, 90 Duro, .926" ID x .070" Thk,
33	86579671	1	CONNECTOR, HYD., 11/16"-16 ORFS x M14 x 1.5 ORB, Inc. 34, 35
34	86639042	1	O-RING, CI 6, 11.3MM ID x 2.2 Thk,
35	9993141	3	O-RING, -012, 90 Duro, .364" ID x .070" Thk,
36	86580177	1	CONNECTOR, HYD., 11/16"-16 ORFS x M12 x 1.5 ORB, Includes 37, 35
37	86642448	1	O-RING, CI 6, 9.3MM ID x 2.2 Thk,
38	87438486	1	TUBE ASSY., EF Outlet
39	86580179	2	CONNECTOR, HYD., 1 7/16"-12 ORFS x M22 x 2 ORB, Includes 40, 32
40	86639046	1	O-RING, CI 6, 29.6MM ID x 2.9 Thk,
41	701-319	1	ELBOW, 90°, 11/16"-16 ORFS x 11/16"-16 Fem Sw, Incl. 35
42	311834A1	1	ELBOW, 90, 1-7/16 fc sl x swl, Inc. 32
43	832-10410	2	NUT, LOCK, M10 x 1.5, CI 8,
44	238-6014	1	O-RING, -014, 90 Duro, .489" ID x .070" Thk,
45	86639095	1	NUT, TUBE, 1"-14, ORFS,

TJ530 TRACTOR (1/06-) - Hydraulic System

08-25 HYDRAULIC REMOTE HOSES ELECTRONIC REMOTE

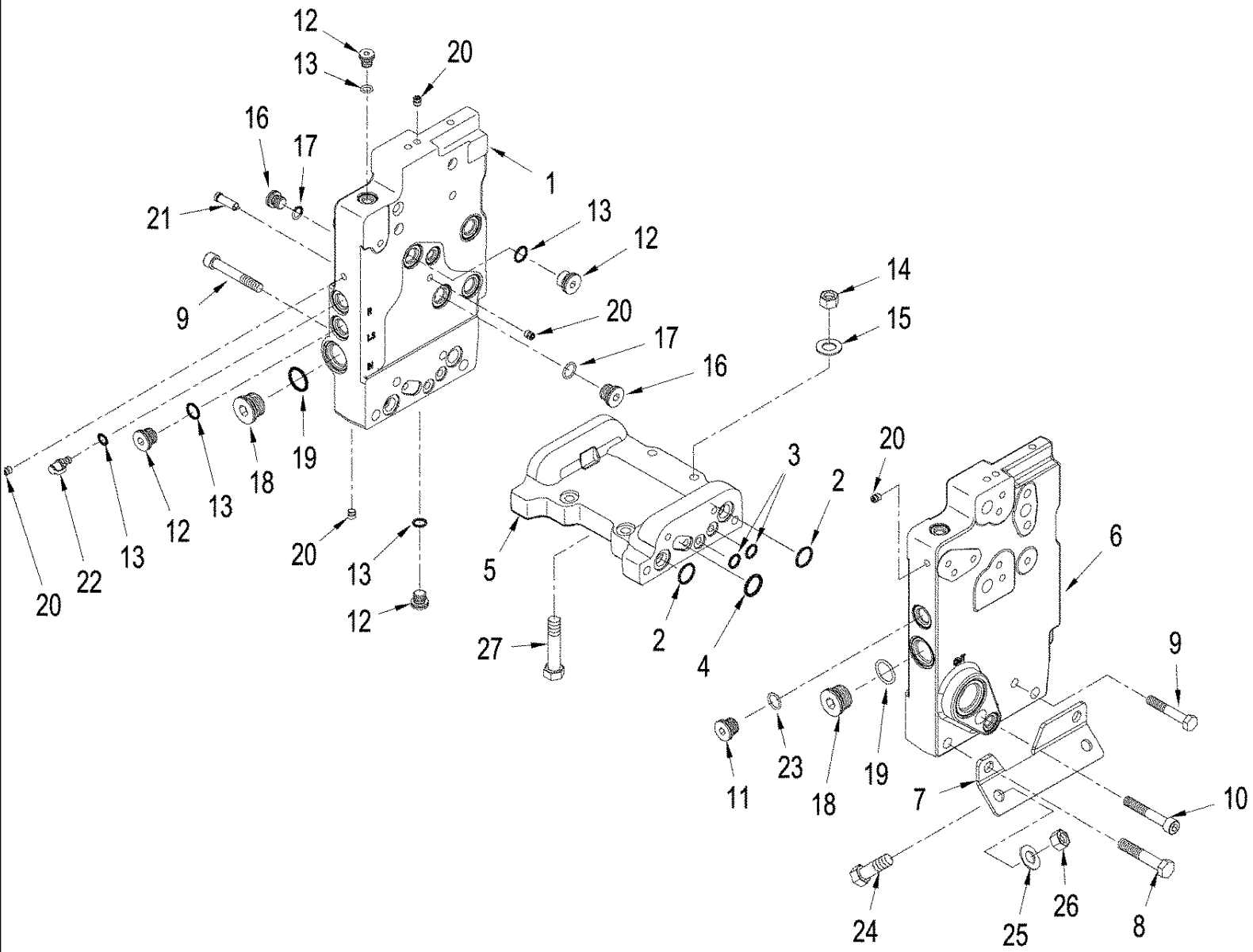
Ref	Part Number	Qty	Description
46	86622968	1	REDUCER, 13/16"-16 Male x 1"-14 Fem, ORFS, 5/8 fcsl x 1/2; Inc. 47
47	9992069	1	O-RING, -016, 90 Duro, .614" ID x .070" Thk,
48	86589753	1	PLUG, M18 x 15, Inc. 49
49	86639043	1	O-RING, 15.3 ID x 2.2
50	86625252	4	WASHER, M10 x 21.5 x 2.5, HT,
51	371838A1	1	SPACER,
52	87540204	1	BRACKET, Support



TJ530 TRACTOR (1/06-) - Hydraulic System

08-26 HYDRAULIC REMOTE CONTROL VALVE

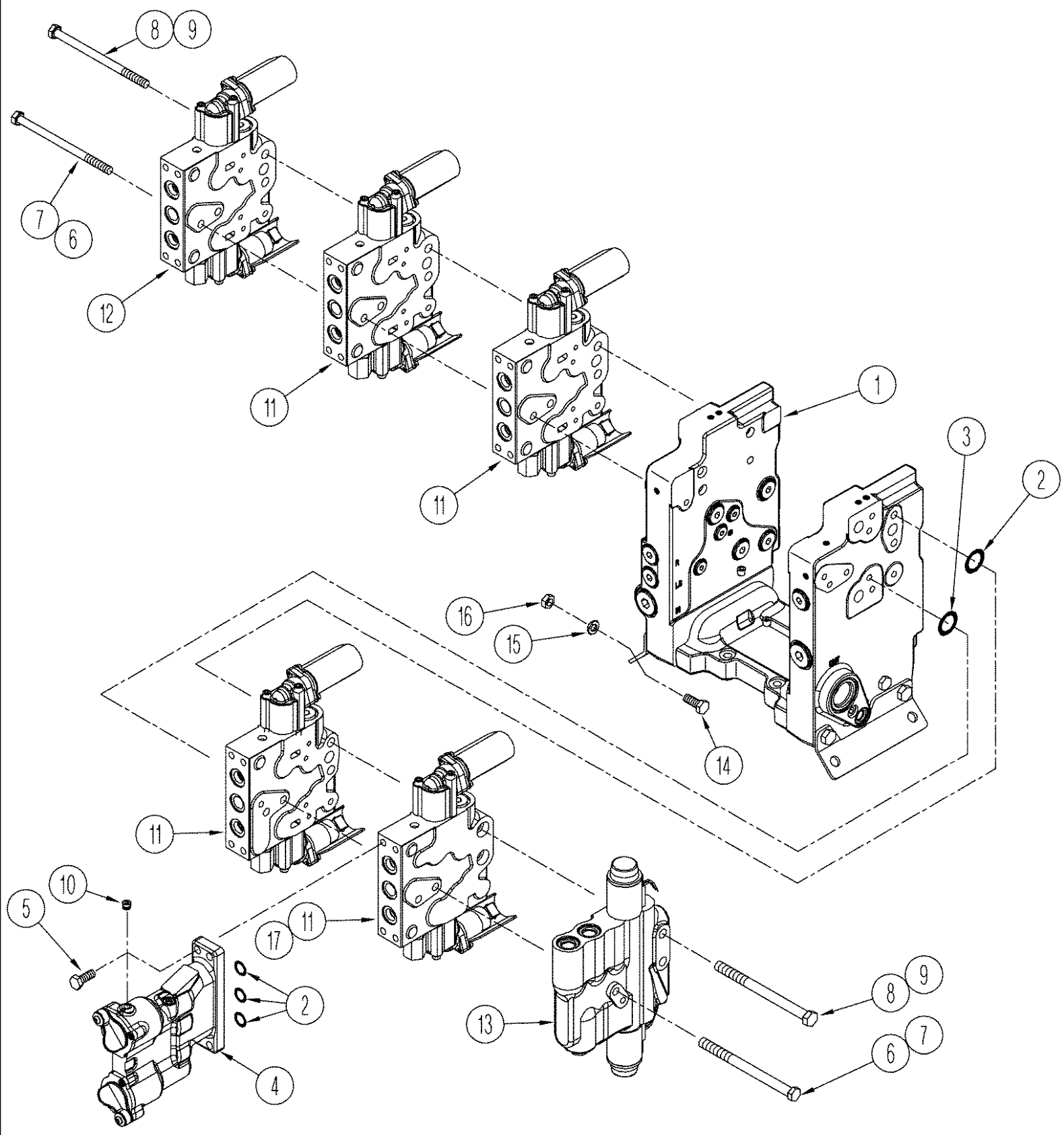
Ref	Part Number	Qty	Description
1	355788	2	BOLT, Hex, M10 x 70, 10.9,
2	86625252	2	WASHER, M10 x 21.5 x 2.5, HT,
3	86514720	2	NUT, LOCK, M10 x 1.5
4	9827902	2	CLAMP, 1", Insul, 3/8" Bolt,
5	9515003	2	BOLT, Hex, M10 x 30, 10.9, Full Thd,
6	86500689	2	NUT, M10, CI 10,
7	86579689	1	ELBOW, 90e, 13/16"-18 ORFS x M14 x 1.5 ORB, Inc. 8, 9
8	9992298	1	O-RING, -014, 90 Duro, .489" ID x .070" Thk,
9	86639042	1	O-RING, CI 6, 11.3MM ID x 2.2 Thk,
10	435437A1	2	STRAP, CABLE, 3/16" x 7 1/4", Tie
11	320374A1	AR	HOSE, Drain, 889 mm (35 in), Cut From : 443078A1
12	1289481C1	AR	ELBOW, 90, 1/4 stem x 1/8 PT
13	221576A1	1	PLUG, Hex Soc, M14 x 1.5, ORB, Inc. 14
14	86639042	1	O-RING, CI 6, 11.3MM ID x 2.2 Thk,
15	86624176	4	WASHER, M10 x 20 x 2,



TJ530 TRACTOR (1/06-) - Hydraulic System

08-27 MANIFOLD VALVE ASSY

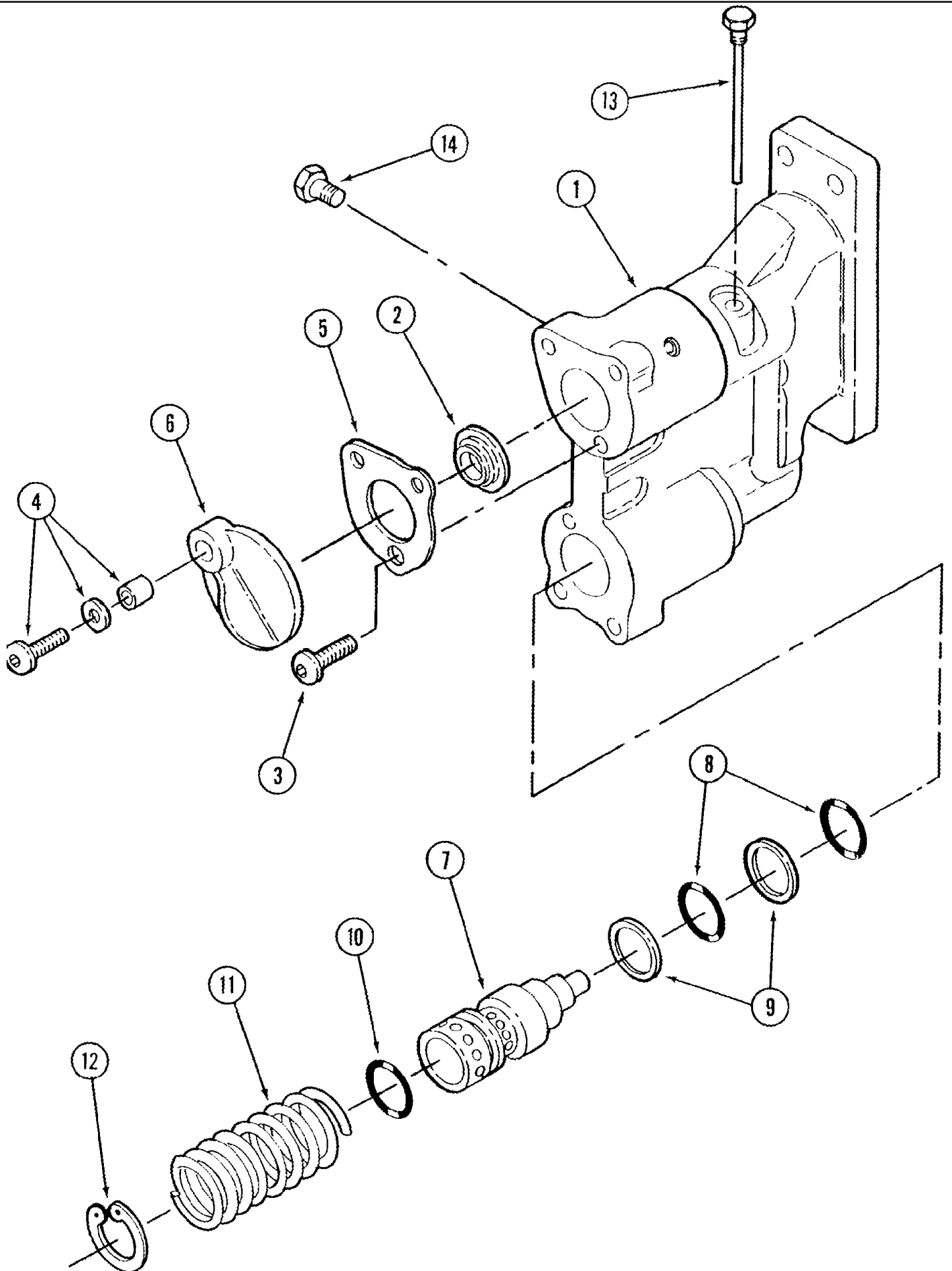
Ref	Part Number	Qty	Description
	87317169	1	VALVE, Inc. 1 - 21
1	NSS	1	NOT SERVICED SEPARATELY, Valve, Intake, Left-Hand
2	277634	4	O-RING, -117, 90 Duro, .799" ID x .103" Thk,
3	272344	4	O-RING, -112, 90 Duro, .487" ID x .103" Thk,
4	86505727	2	O-RING, -211, 70 Duro, .796" ID x .139" Thk,
5	NSS	1	NOT SERVICED SEPARATELY, Valve, Connector
6	NSS	1	NOT SERVICED SEPARATELY, Valve, Outlet, Right-Hand
7	338681A1	2	BRACKET, Mounting, Manifold
8	86639228	4	BOLT, Hex, M12 x 65, 10.9,
9	86508619	2	BOLT, Hex, M10 x 60, 10.9,
10	86639266	1	SCREW, Hex Soc Hd, M10 x 70, 12.9,
11	221579A1	1	PLUG, Hex Soc, M22 x 1.5, ORB, Includes 23
12	221578A1	10	PLUG, Hex Soc, M18 x 1.5, ORB, Includes 13
13	86639043	10	O-RING, 15,3 ID x 2,2
14	86514720	2	NUT, LOCK, M10 x 1.5
15	86625252	2	WASHER, M10 x 21.5 x 2.5, HT,
16	221576A1	7	PLUG, Hex Soc, M14 x 1.5, ORB, Includes 17
17	86639042	7	O-RING, CI 6, 11.3MM ID x 2.2 Thk,
18	221580A1	2	PLUG, Hex Soc, M27 x 2, ORB, Includes 19
19	86639045	2	O-RING, CI 6, 23.6MM ID x 2.9 Thk,
20	353828A1	13	PLUG, Expansion
21	334923A1	1	SCREEN,
22	358968A1	1	COUPLING, M18 orb x 1,5, Diagnostic, If Used, Inc. 13
23	86639044	1	O-RING, CI 6, 19.3MM ID x 2.2 Thk,
24	337563	4	BOLT, Hex, M12 x 40, 10.9, Full Thd,
25	86625255	4	WASHER, M13.5 x 24.5 x 3, HT,
26	412126	4	NUT, LOCK, M12 x 1.75, CI 8,
27	86508619	2	BOLT, Hex, M10 x 60, 10.9,



TJ530 TRACTOR (1/06-) - Hydraulic System

08-28 REMOTE VALVE ASSY - ELECTRONIC CONTROLLED

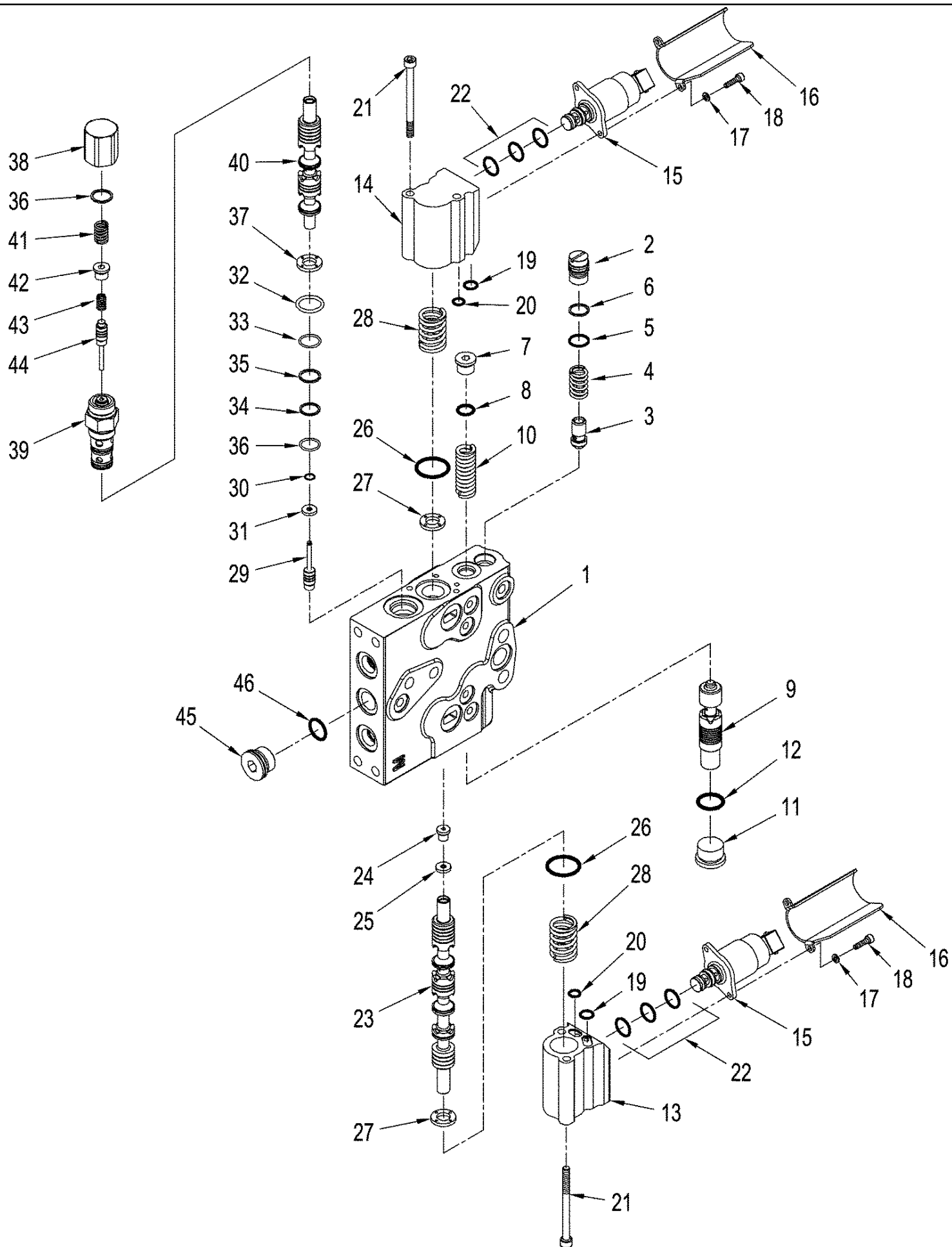
Ref	Part Number	Qty	Description
1	87317169	1	VALVE, See Figure: 08-27
2	277634	AR	O-RING, -117, 90 Duro, .799" ID x .103" Thk,
3	272344	AR	O-RING, -112, 90 Duro, .487" ID x .103" Thk,
4	435375A1	AR	COUPLING, BREAK AWAY, See Figure: 08-29, Mating Male Quick Connect Adapter is P/n 86544945.
5	9846677	AR	BOLT, Hex, M10 x 25, 10.9, Full Thd,
6	86556139	AR	BOLT, Hex, M10 x 110, 10.9,
7	86639227	AR	BOLT, Hex, M10 x 160, 10.9,
8	9501756	AR	BOLT, Hex, M12 x 110, 10.9,
9	86837481	AR	SCREW, Hex Soc Hd, M12 x 150, 12.9,
10	86637724	5	PLUG, Hex Soc, 1/8"-27 NPTF, Hex Socket, 1/8 PT
11	292295A3	AR	VALVE, Main, Four and Five Stack, See Figure: 08-30
12	393972A3	1	VALVE, Auxiliary, LH, See Figure: 08-30
13	319131A4	1	VALVE, Hitch, See Figure: 08-31
14	337563	AR	BOLT, Hex, M12 x 40, 10.9, Full Thd,
15	86625255	4	WASHER, M13.5 x 24.5 x 3, HT,
16	412126	4	NUT, LOCK, M12 x 1.75, Cl 8,
17	393973A3	1	VALVE, Auxiliary, RH, See Figure: 08-30



TJ530 TRACTOR (1/06-) - Hydraulic System

08-29 COUPLER VALVE ASSY

Ref	Part Number	Qty	Description
	435375A1	1	COUPLING, BREAK AWAY, Inc. 1 - 7, Mating Male Quick Connect Adapter is P/n 86544945.
1	NSS	1	NOT SERVICED SEPARATELY, Body
2	240969A1	2	SEAL, Dust
3	427104A1	4	SCREW,
4	240973A2	2	SCREW, With Sleeve and Washer
5	292326A1	2	PLATE, Cover
6	240974A2	2	COVER, DOOR, Dust
7	321623A2	2	COUPLING, QUICK, MALE,
	345193A1	1	KIT, SEALS, Coupler, Inc. 8 - 10
8	14454480	4	O-RING, -027, 70 Duro, 1.301" ID x .070" Thk,
9	93332C1	4	SEAL ASSY.,
10	345192A1	2	SEAL,
11	93330C1	2	SPRING, VALVE,
12	86013223	2	RING, SNAP, 1.625", Int, #162,
13	367755A1	2	RETAINER, Retaining
14	86642422	1	PLUG, Hex Socket, 1/4 PT



TJ530 TRACTOR (1/06-) - Hydraulic System

08-30 MAIN AND AUXILIARY VALVE ASSY - ELECTRONIC REMOTE

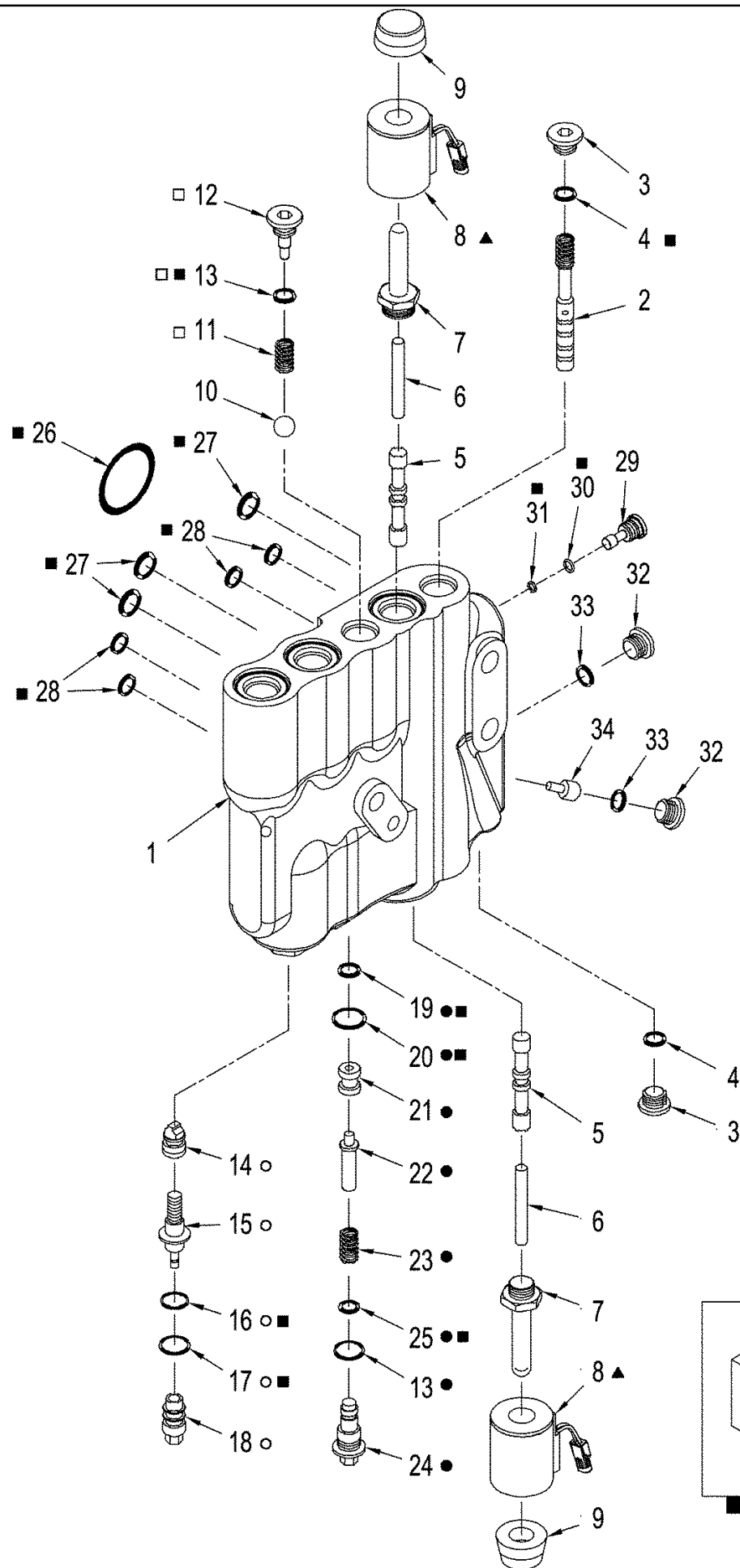
Ref	Part Number	Qty	Description
	292295A3	1	VALVE, Main, Inc. 1 - 46
	393972A3	1	VALVE, Auxiliary, LH, Inc. 1 - 46
	393973A3	1	VALVE, RH, Inc. 1 - 46
1	NSS	1	NOT SERVICED SEPARATELY, Body
	1542563C1	1	VALVE, CHECK, Logic, Inc. 2 - 6
2	NSS	1	NOT SERVICED SEPARATELY, Plug
3	1543329C1	1	POPPET, VALVE,
4	NSS	1	NOT SERVICED SEPARATELY, Spring
5	G108723	1	RING,
6	165212	1	O-RING, -015, 90 Duro, .551" ID x .070" Thk,
7	9625178	1	PLUG, Hex Soc, 9/16"-18 ORB, 3/8 orb, Inc. 8
8	167266	1	O-RING, 12-1, 90 Duro, .924 ID x .116" Thk,
9	292321A2	1	SPOOL,
10	301973A1	1	SPRING,
11	86625138	1	PLUG, Hex Soc, 7/8"-14 ORB, 5/8 orb, Includes 12
12	167269	1	O-RING, 10-1, 90 Duro, .755" ID x .097" Thk,
	336278A3	1	VALVE SECTION, HYD, EH Pilot Block, Inc. 13 - 20
	392403A2	1	VALVE, PILOT, EH Block, Inc. 14 - 22
13	NSS	1	NOT SERVICED SEPARATELY, Body
14	NSS	1	NOT SERVICED SEPARATELY, Body
15	278506A2	1	VALVE, SOLENOID, Proportional
16	353830A1	1	GUARD,
17	86639307	2	WASHER, Lock, 4 mm
18	86624126	2	SCREW, Hex Soc Hd, M4 x 16, 8.8,
19	86629543	1	O-RING, -012, 70 Duro, .364" ID x .070" Thk,
20	9672548	1	O-RING, -011, 70 Duro, .301" ID x .070" Thk,
21	86639300	2	SCREW, Socket, M6 x 75; 8.8
22	372228A1	1	SEAL, Kit
23	87410063	1	SPOOL,
24	86632547	1	PLUG, Hex Soc, 5/16"-24 ORB, Socket, 1/8 orb, Includes 25
25	167269	1	O-RING, 10-1, 90 Duro, .755" ID x .097" Thk,
26	9672549	2	O-RING, -120, 70 Duro, .987" ID x .103" Thk,
27	436518A1	2	WASHER, Centering
28	301969A2	2	SPRING, Return, Outer
	1957907C1	1	PISTON ASSY., Load Check, Inc. 29 - 31
29	NSS	1	NOT SERVICED SEPARATELY, Piston
30	NSS	1	NOT SERVICED SEPARATELY, Ring, Snap
31	NSS	1	NOT SERVICED SEPARATELY, Washer
	278550A2	1	VALVE, CHECK, Load, Inc. 32 - 44
32	9992069	1	O-RING, -016, 90 Duro, .614" ID x .070" Thk,
33	G103862	1	RING,
34	G108723	1	RING,
35	165212	1	O-RING, -015, 90 Duro, .551" ID x .070" Thk,
36	167269	2	O-RING, 10-1, 90 Duro, .755" ID x .097" Thk,
37	G108727	1	RING, BACK-UP,

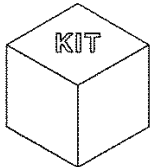
TJ530 TRACTOR (1/06-) - Hydraulic System

08-30 MAIN AND AUXILIARY VALVE ASSY - ELECTRONIC REMOTE

Ref	Part Number	Qty	Description
38	NSS	1	NOT SERVICED SEPARATELY, Cap
39	NSS	1	NOT SERVICED SEPARATELY, Poppet
40	NSS	1	NOT SERVICED SEPARATELY, Body, Valve
41	NSS	1	NOT SERVICED SEPARATELY, Spring
42	1957964C1	1	RETAINER, Spring
43	NSS	1	NOT SERVICED SEPARATELY, Spring
44	NSS	1	NOT SERVICED SEPARATELY, Poppet
45	86632547	1	PLUG, Hex Soc, 5/16"-24 ORB, Soc. Hd, 1/8 or, Includes 46
46	9617873	1	O-RING, 6-1, 90 Duro, .468" ID x .078" Thk,

08-31 HITCH VALVE ASSEMBLY - ELECTRONIC REMOTE



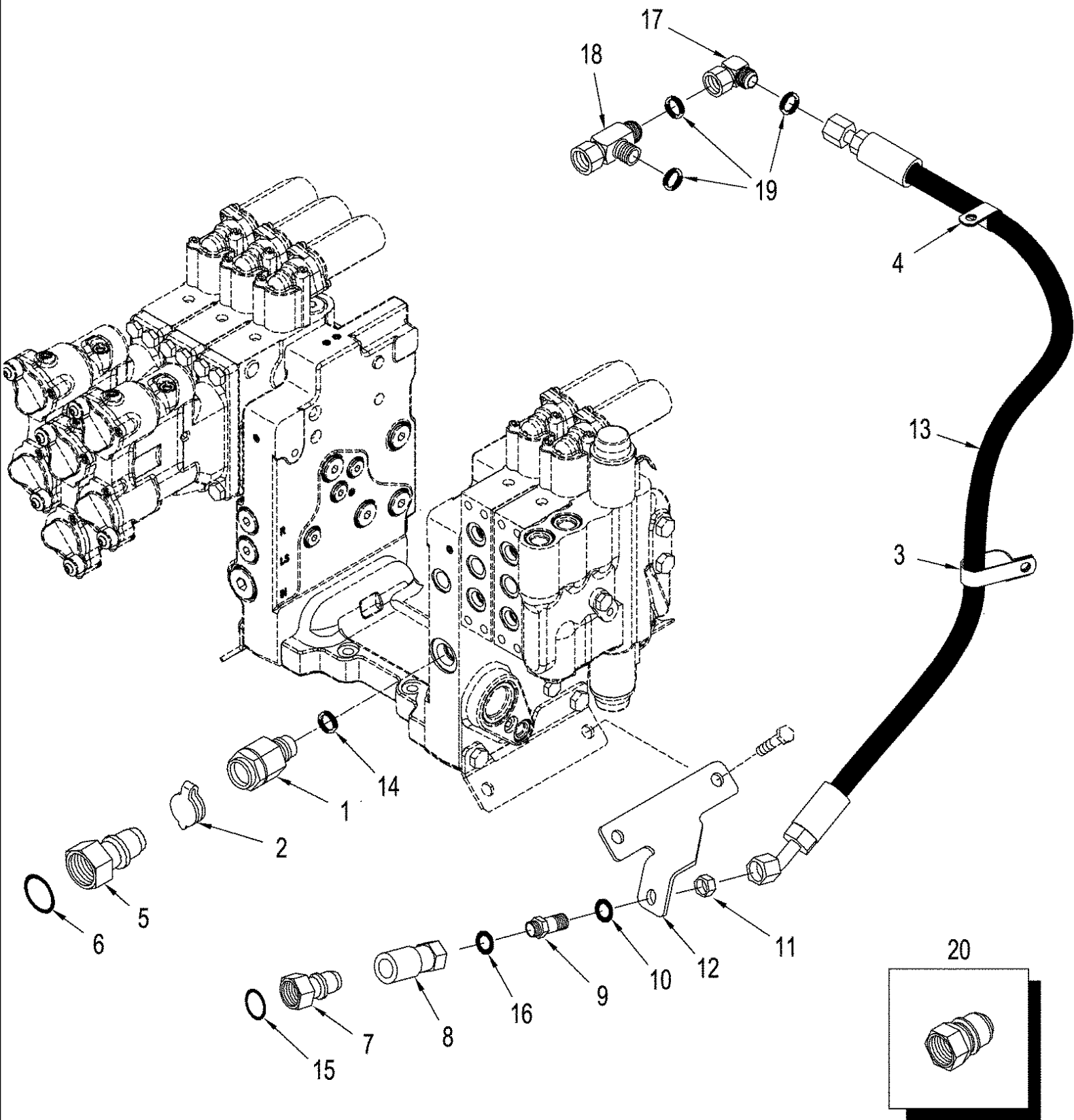
	● = 35
	■ = 36
	▲ = 37
	○ = 38
	□ = 39

TJ530 TRACTOR (1/06-) - Hydraulic System

08-31 HITCH VALVE ASSEMBLY - ELECTRONIC REMOTE

Ref	Part Number	Qty	Description
	319131A4	1	VALVE, Inc. 1 - 34
1	NSS	1	NOT SERVICED SEPARATELY, Housing
2	NSS	1	NOT SERVICED SEPARATELY, Spool
3	86590562	2	PLUG, Hex Soc, 3/4"-16 ORB, Hex, 3/4 Or, Inc. 4
4	128825	2	O-RING, 8-1, 90 Duro, .644" ID x .087" Thk,
5	188104A1	2	SPOOL, Pilot
6	188116A1	2	PIN,
7	188117A1	2	TUBE, Override
8	NSS	2	NOT SERVICED SEPARATELY, Coil
9	188106A1	2	NUT,
10	86637957	1	BALL, 20mm Dia, 20 mm, gr 28
11	188114A1	1	SPRING, Compression
12	373760A1	1	PLUG,
13	167269	2	O-RING, 10-1, 90 Duro, .755" ID x .097" Thk,
14	NSS	1	NOT SERVICED SEPARATELY, Poppet Valve
15	NSS	1	NOT SERVICED SEPARATELY, Stem, Servo
16	9672929	1	O-RING, .989" ID x .070" Thk
17	129740	1	O-RING, -023, 70 Duro, 1.051" ID x .070" Thk,
18	118111A1	1	TUBE,
19	9825770	1	O-RING, -011, 90 Duro, .301" ID x .070" Thk,
20	373767A1	1	RING, Backup
21	NSS	1	NOT SERVICED SEPARATELY, Seat
22	NSS	1	NOT SERVICED SEPARATELY, Valve
23	NSS	1	NOT SERVICED SEPARATELY, Compression
24	NSS	1	NOT SERVICED SEPARATELY, Plug
25	130282	1	O-RING, -014, 70 Duro, .489" ID x .070" Thk,
26	165217	1	O-RING, -142, 90 Duro, 2.362" ID x .103" Thk,
27	277634	3	O-RING, -117, 90 Duro, .799" ID x .103" Thk,
28	272344	5	O-RING, -112, 90 Duro, .487" ID x .103" Thk,
29	373761A1	1	PLUG,
30	165202	1	O-RING, 4-1, 90 Duro, .351" ID x .072" Thk,
31	86513328	2	O-RING, 3-1, .301" ID x .064" Thk,
32	86529630	2	PLUG, Hex Soc, 3/8"-24 ORB,
33	86513328	2	O-RING, 3-1, .301" ID x .064" Thk,
34	373758A1	1	VALVE, Check, Load Sense
35	373756A1	1	KIT, Relief
36	373757A1	1	KIT, Seal
37	243254A1	2	KIT, Solenoid
38	87430152	1	KIT, SERVICE, Meter Out
39	87423671	1	KIT, SPRING, Hitch Valve, Load Drop Check

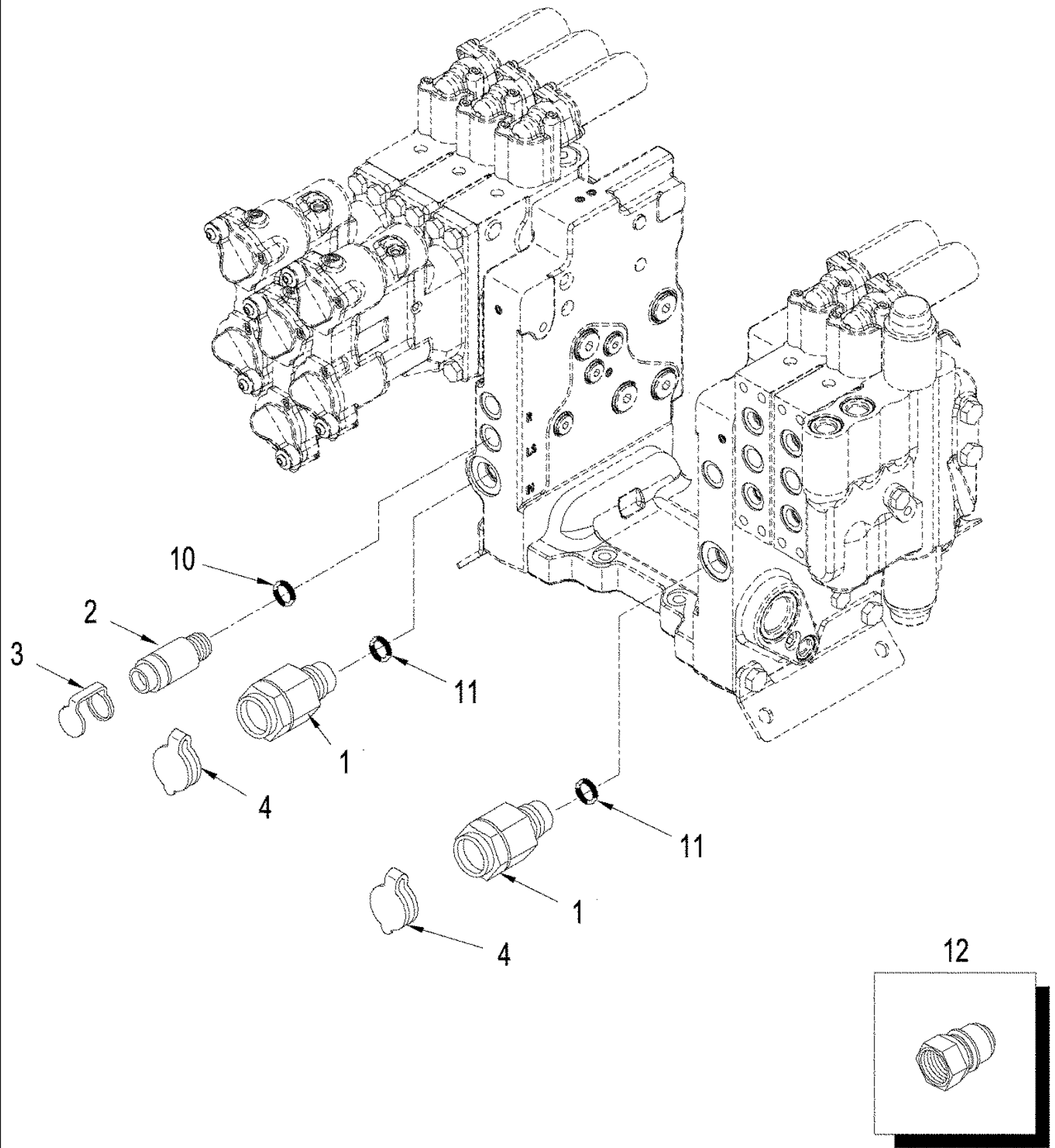
08-32 MOTOR RETURN



TJ530 TRACTOR (1/06-) - Hydraulic System

08-32 MOTOR RETURN

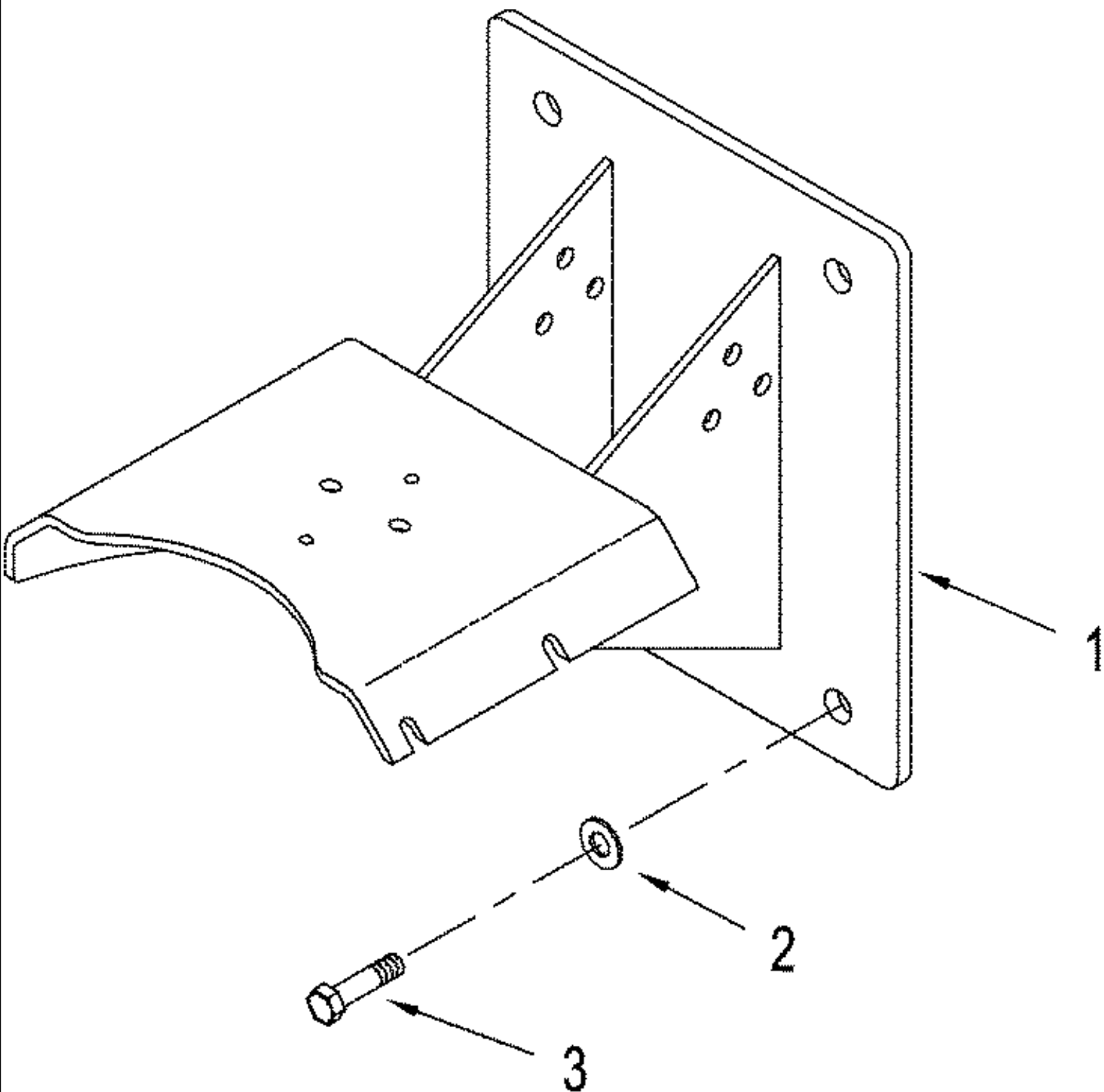
Ref	Part Number	Qty	Description
1	298291A1	1	BODY, Hydr., 3/4", Auxiliary, Main Return
2	334216A1	1	CAP, Dust
3	86637979	1	CLAMP, 13/16", Insul, 3/8" Bolt,
4	R54363	1	CLAMP,
5	347755A1	1	COUPLING, Hydr., 3/4" Male x 1-1/16" Female orb, Inc. 6
6	167266	1	O-RING, 12-1, 90 Duro, .924 ID x .116" Thk,
7	385358A1	1	COUPLING, Hydr., 1/2" Male x 3/8" Female orb, Inc. 15
8	385357A1	1	COUPLING, Hydr., Female
9	436249A1	1	FITTING, 3/4" or x 13/16" fc sl, Inc. 10 & 16
10	9992298	1	O-RING, -014, 90 Duro, .489" ID x .070" Thk,
11	86639083	1	NUT, LOCK, 13/16"-16, ORFS Blkhd,
12	442477A2	1	BRACKET, Motor Drain
13	444060A1	1	HOSE ASSY., 2171 mm (85")
14	86598103	2	O-RING, CI 6, 23.6MM ID x 2.9 Thk,
15	128825	1	O-RING, 8-1, 90 Duro, .644" ID x .087" Thk,
16	9617873	1	O-RING, 6-1, 90 Duro, .468" ID x .078" Thk,
17	84989383	1	ELBOW, 90e, 13/16"-16 ORFS x 13/16"-16 Fem Sw, Inc. 19
18	86514261	1	TEE, 13/16"-16 ORFS x 13/16"-16 Fem Sw Run, Inc. 19
19	9992298	4	O-RING, -014, 90 Duro, .489" ID x .070" Thk,
20	87335428	1	FITTING, Implement Coupler, 1/2"-14 nptf
20	87335430	1	FITTING, Implement Coupler, 3/4"-16 orb
20	87335431	1	FITTING, Implement Coupler, 7/8"-14 orb
	719517003	1	KIT, Motor Return / Power Beyond, Inc: 1 - 13, See Figure: 08-33



TJ530 TRACTOR (1/06-) - Hydraulic System

08-33 COUPLERS - POWER BEYOND

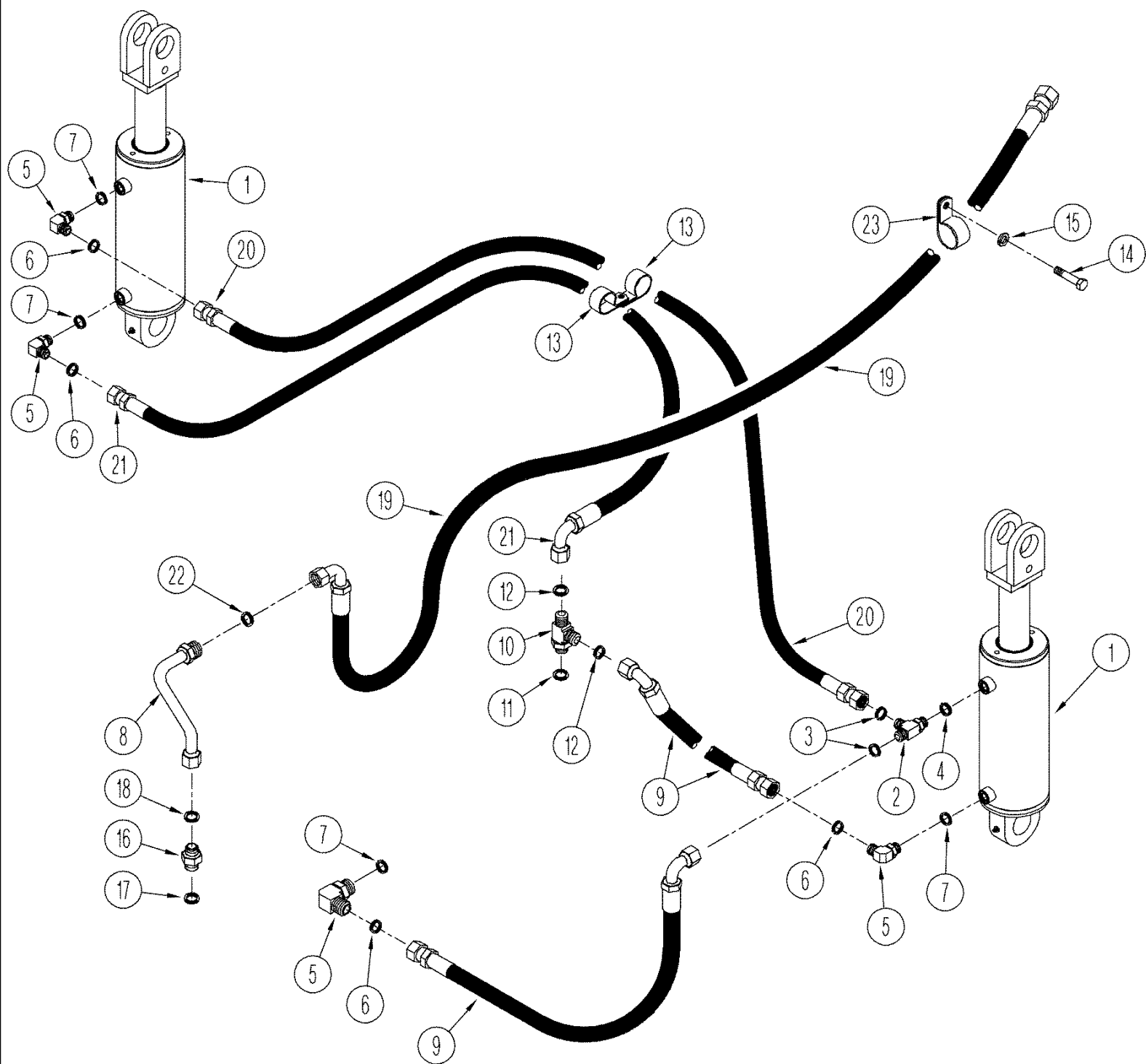
Ref	Part Number	Qty	Description
1	298291A1	2	BODY, Hydr., 3/4", Auxiliary
2	294603A1	1	BODY, Hydr., 1/4", Auxiliary
3	334218A1	1	CAP, Dust
4	334216A1	2	CAP, Dust
5	347755A1	2	COUPLING, Hydr., 3/4", Inc. 10, Not Illustrated
6	167266	2	O-RING, 12-1, 90 Duro, .924 ID x .116" Thk, Not Illustrated
7	347756A1	2	COUPLING, Hydr., 1/4", Inc. 8, Not Illustrated
8	9617873	2	O-RING, 6-1, 90 Duro, .468" ID x .078" Thk,
6	167266	2	O-RING, 12-1, 90 Duro, .924 ID x .116" Thk, Not Illustrated
9	385358A1	1	COUPLING, Hydr., 3/8", Case Drain, Not Illustrated
10	86598101	1	O-RING, CI 6, 15.3MM ID x 2.2 Thk,
11	86598103	2	O-RING, CI 6, 23.6MM ID x 2.9 Thk,
12	87335428	1	FITTING, Implement Coupler, 1/2"-14 nptf
12	87335430	1	FITTING, Implement Coupler, 3/4"-16 orb
12	87335431	1	FITTING, Implement Coupler, 7/8"-14 orb
	719517003	1	KIT, Motor Return / Power Beyond, Inc. 1 - 9, See Figure: 08-32



TJ530 TRACTOR (1/06-) - Hydraulic System

08-34 COUPLER MOUNTS - WITHOUT POWER TAKEOFF AND THREE POINT HITCH

Ref	Part Number	Qty	Description
1	87311759	1	MOUNTING PARTS, Auxiliary Valve
2	86625260	4	WASHER, M20 x 37.5 x 4, HT,
3	9843612	4	BOLT, Hex, M20 x 100, 10.9,



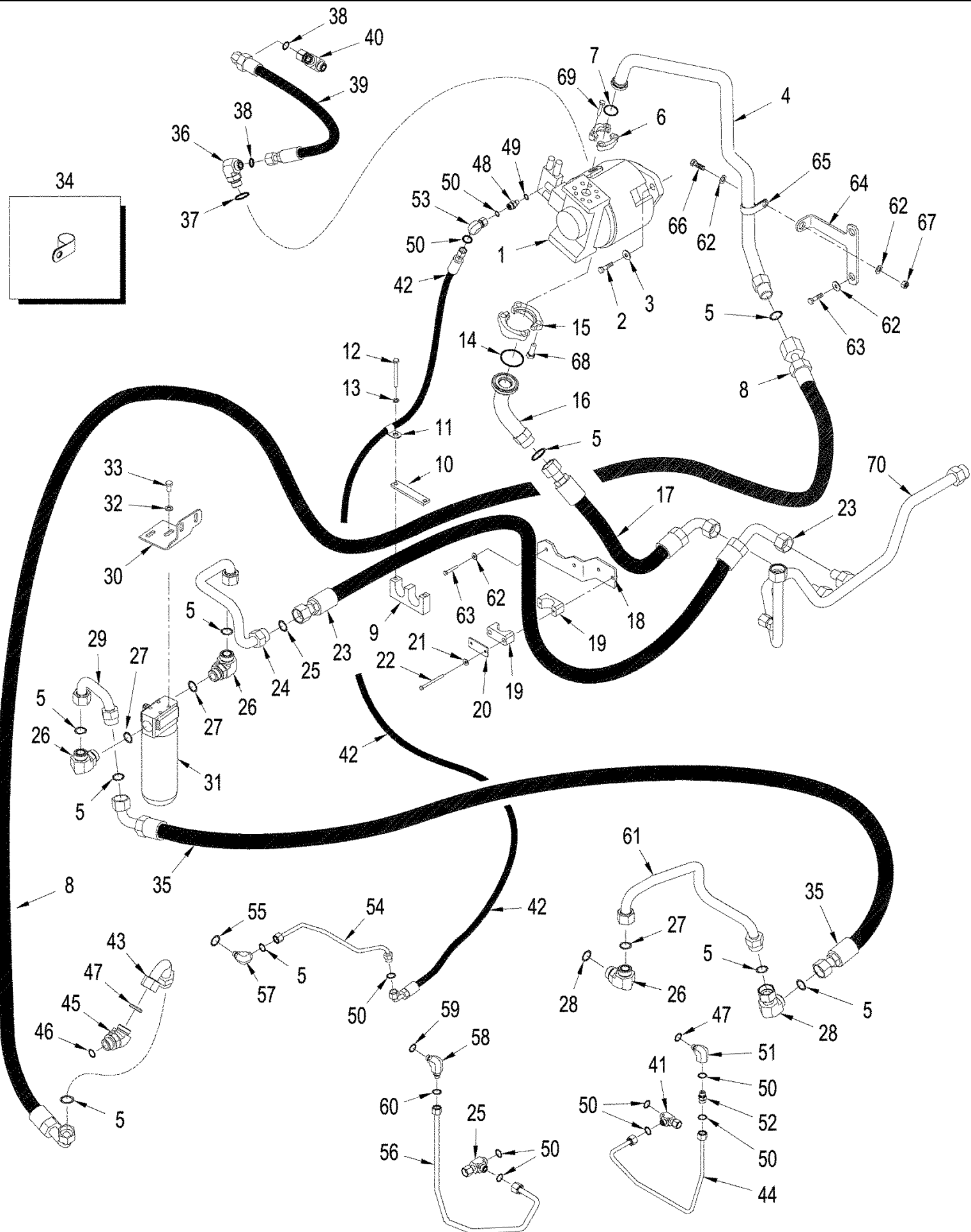
08-35 THREE POINT HITCH HYDRAULICS - ELECTRONIC CONTROLLED HITCH SYSTEM

Ref	Part Number	Qty	Description
1	87304298	2	CYLINDER, See Figure: 08-36
2	86579702	1	TEE, 13/16"-16 ORFS x M18 x 1.5 ORB Run, Inc. 3, 4
3	9992298	2	O-RING, -014, 90 Duro, .489" ID x .070" Thk,
4	86639043	1	O-RING, 15,3 ID x 2,2
5	86579691	4	ELBOW, 90ε, 13/16"-18 ORFS x M18 x 1.5 ORB, Inc. 6, 7
6	9992298	4	O-RING, -014, 90 Duro, .489" ID x .070" Thk,
7	86639043	4	O-RING, 15,3 ID x 2,2
8	403207A1	1	TUBE ASSY.,
9	360496A1	2	HOSE ASSY., Cylinder Supply, 505 mm (20")
10	86639058	1	TEE, 13/16"-16 ORFS x M22 x 1.5 ORB Run, Inc. 11, 12
11	86639044	1	O-RING, CI 6, 19.3MM ID x 2.2 Thk,
12	9992298	2	O-RING, -014, 90 Duro, .489" ID x .070" Thk, Pressure Line
13	86637979	4	CLAMP, 13/16", Insul, 3/8" Bolt, P-type
14	43232	1	SCREW,
15	86624184	5	WASHER, M8 x 16 x 1.6,
16	86579680	1	CONNECTOR, HYD., 1"-14 ORFS x M22 x 1.5 ORB, Inc. 17, 18
17	86639044	1	O-RING, CI 6, 19.3MM ID x 2.2 Thk,
18	9992069	1	O-RING, -016, 90 Duro, .614" ID x .070" Thk,
19	87427995	1	HOSE ASSY., Return, 3540 mm (139")
20	394732A1	1	HOSE ASSY., Return, 1410 mm (55-1/2")
21	394733A1	1	HOSE ASSY., Pressure Line, 1397 mm (55")
22	9992069	1	O-RING, -016, 90 Duro, .614" ID x .070" Thk,
23	D43839	1	CLAMP, 1-1/8" ID

TJ530 TRACTOR (1/06-) - Hydraulic System

08-36 CYLINDER ASSY - THREE POINT HITCH

Ref	Part Number	Qty	Description
	87304295	1	CYLINDER, Three Point Hitch, Lift, Inc. 1 - 18
1	87378711	1	TUBE, Barrel
2	219-36	1	NIPPLE, LUBE, 45c, 1/8" NPT x 7/8" lg,
3	NSS	1	NOT SERVICED SEPARATELY, Nut, Lock, 1-1/4" NF
4	87378709	1	PISTON, TPH Cylinder Assy.
5	87378712	1	WASHER, Ring
6	NSS	1	NOT SERVICED SEPARATELY, Seal, Piston
7	NSS	2	NOT SERVICED SEPARATELY, Ring, Wear
8	NSS	1	NOT SERVICED SEPARATELY, O-Ring
9	NSS	1	NOT SERVICED SEPARATELY, Ring, Backup
10	NSS	1	NOT SERVICED SEPARATELY, O-Ring
11	NSS	1	NOT SERVICED SEPARATELY, O-Ring
12	87378710	1	COVER, TPH Cylinder Assy.
13	NSS	1	NOT SERVICED SEPARATELY, Seal
14	NSS	2	NOT SERVICED SEPARATELY, Wiper
15	87378708	1	ROD,
16	87378707	1	BUSHING,
17	NSS	1	NOT SERVICED SEPARATELY, Bearing, Wear
18	87378712	1	WASHER,
	87378692	1	KIT, Seal, Inc. 5 - 11, 13, 14



TJ530 TRACTOR (1/06-) - Hydraulic System

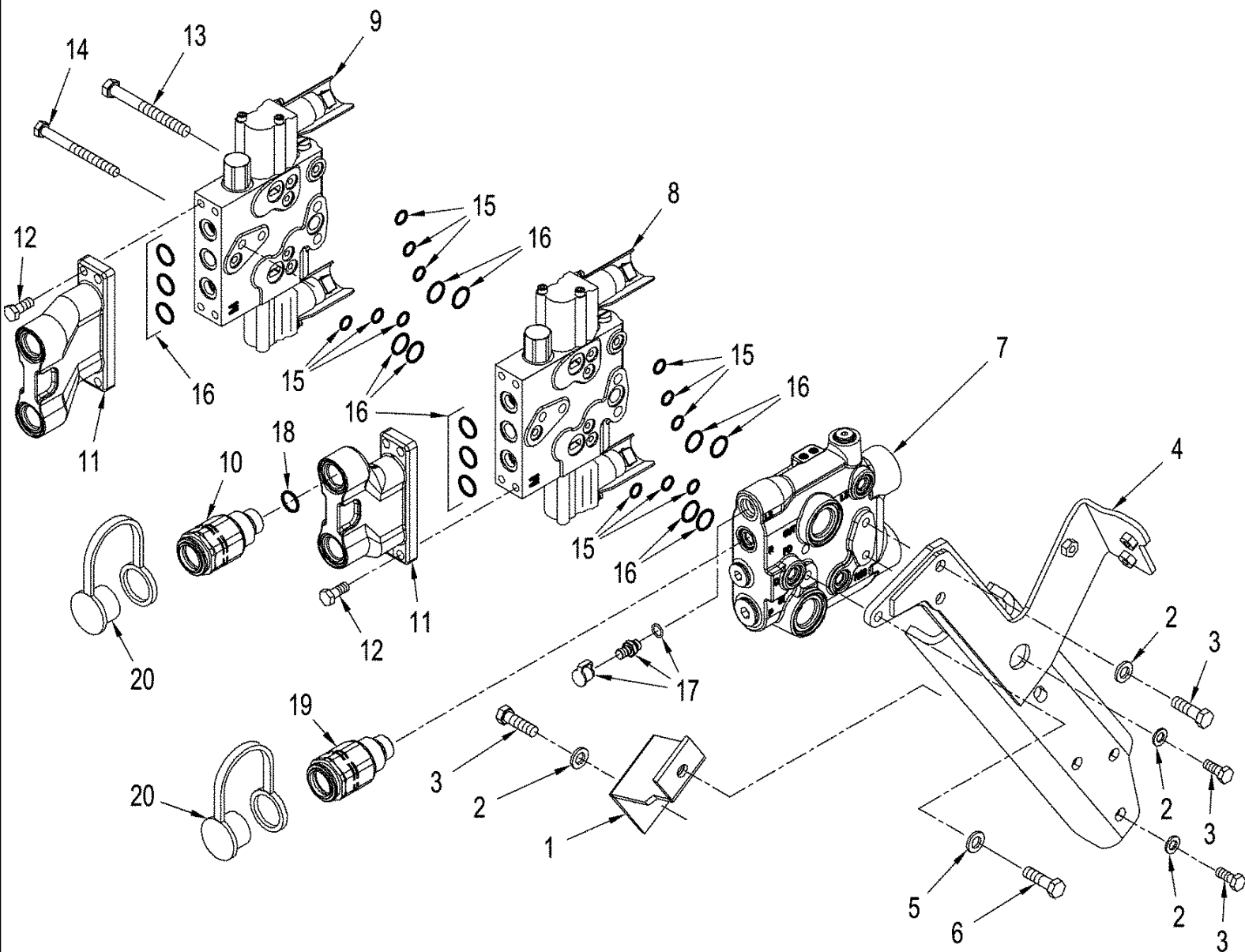
08-37 HYDRAULICS - MEGA FLOW CIRCUITRY

Ref	Part Number	Qty	Description
1	407476A1	1	PUMP, HYDRAULIC, Mega Flow, See Figure: 08-40
2	86900235	2	BOLT, Hex, M16 x 55, 10.9, Full Thd, , With Manual Shift Transmission
2	86508624	2	BOLT, Hex, M16 x 45, 10.9, , With Power Shift Transmission
3	86625266	2	WASHER, M17.5 x 30 x 4, HT,
4	87576188	1	TUBE, Pressure Pump
5	9824050	13	O-RING, -021, 90 Duro, .926" ID x .070" Thk,
6	A12306	2	FLANGE, Split, 1
7	86529541	1	O-RING, -219, 90 Duro, 1.296" ID x .139" Thk,
8	87615313	1	HOSE ASSY., 2942 mm (117")
9	87578492	1	CLAMP, HOSE,
10	414856A1	1	PLATE, Hose Clamp
11	86639005	1	CLAMP, 5/8", Insul, 1/2" Bolt,
12	379748	2	BOLT, Hex, M8 x 80, 10.9,
13	86624184	2	WASHER, M8 x 16 x 1.6,
14	86637769	1	O-RING, -228, 90 Duro, 2.234" ID x .139" Thk,
15	A14141	2	FLANGE, Split, 2
16	414077A1	1	TUBE,
17	414196A1	1	HOSE, 825 mm (32")
18	433047A2	1	BRACKET, Mounting, Hose Clamp
19	429384A1	2	CLAMP,
20	429414A1	1	PLATE, COVER,
21	86624182	2	WASHER, M6 x 18 x 1.6,
22	43228	2	BOLT, Hex, M6 x 80, 10.9,
23	414464A1	1	HOSE, 1626 mm (64")
24	419661A1	1	TUBE,
26	86580180	3	ELBOW, 90e, 1 7/16"-12 ORFS x M33 x 2 ORB, Inc. 27, 28
25	86514261	1	TEE, 13/16"-16 ORFS x 13/16"-16 Fem Sw Run, Inc. 50
27	86639046	1	O-RING, CI 6, 29.6MM ID x 2.9 Thk,
28	84989413	1	ELBOW, 90e, 1 7/16"-12 ORFS x 1 7/16"-12 Fem Sw, Inc. 5
29	419655A1	1	TUBE,
30	87341623	1	BRACKET, Mounting, Mega Flow Hydraulic Filter
31	414219A1	6	FILTER, Mega Flow Hydraulic Oil, See Figure: 08-41
32	86624176	4	WASHER, M10 x 20 x 2,
33	9861444	2	BOLT, Hex, M10 x 20, 10.9, Full Thd,
34	9827902	1	CLAMP, 1", Insul, 3/8" Bolt,
34	86639003	1	CLAMP, 3/8", Insul, 7/16" Bolt,
35	414854A1	1	HOSE, 1956 mm (77")
36	86637669	1	ELBOW, 90e, 1"-14 x 1 1/16"-12, Adj, ORFS, Inc. 37, 38
37	167266	1	O-RING, 12-1, 90 Duro, .924 ID x .116" Thk,
38	9992069	2	O-RING, -016, 90 Duro, .614" ID x .070" Thk,
39	431461A1	1	HOSE ASSY., 737 mm (29")
40	86642450	1	TEE, 1"-14 ORFS x 1"-14 Fem Sw Run, Inc. 38
41	9843615	1	TEE, 11/16"-16 ORFS x 11/16"-16 Fem Sw Run, Inc. 50
42	414855A1	1	HOSE, 2870 mm (113")
43	429941A2	1	TUBE,

TJ530 TRACTOR (1/06-) - Hydraulic System

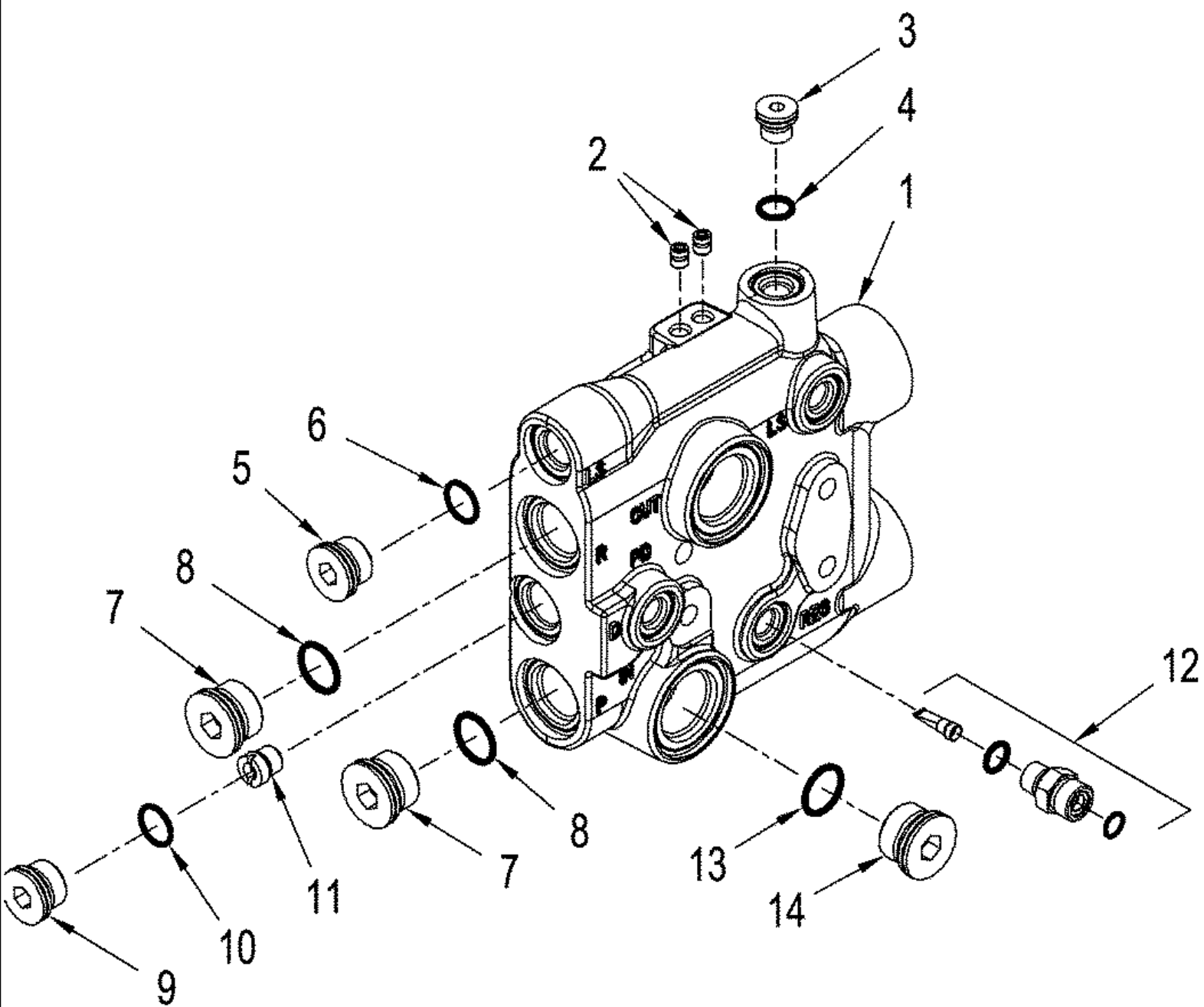
08-37 HYDRAULICS - MEGA FLOW CIRCUITRY

Ref	Part Number	Qty	Description
44	430536A1	1	TUBE,
45	86639054	1	ELBOW, 45e, 1 7/16"-12 ORFS x M33 x 2 ORB, Inc. 45, 46
46	86639046	1	O-RING, CI 6, 29.6MM ID x 2.9 Thk,
47	86639042	1	O-RING, CI 6, 11.3MM ID x 2.2 Thk,
48	1957867C1	1	SCREEN, FILTER, 1/4" orb x 3/8" fc sl, Inc. 49, 50
49	165202	1	O-RING, 4-1, 90 Duro, .351" ID x .072" Thk,
50	9993141	8	O-RING, -012, 90 Duro, .364" ID x .070" Thk,
51	428078A1	1	ELBOW, 90, M14 orb, Inc. 47
52	334923A1	1	SCREEN,
53	84989392	1	ELBOW, 90e, 11/16"-16 ORFS x 11/16"-16 Fem Sw, Inc. 50
54	429943A2	1	TUBE,
55	86639042	1	O-RING, CI 6, 11.3MM ID x 2.2 Thk,
56	445701A1	1	TUBE, HYD,
57	86579686	1	ELBOW, 90e, 11/16"-18 ORFS x M14 x 1.5 ORB, Inc. 5, 55
58	86579689	1	ELBOW, 90e, 13/16"-18 ORFS x M14 x 1.5 ORB, Inc. 59, 60
59	86639042	1	O-RING, CI 6, 11.3MM ID x 2.2 Thk,
60	9992298	1	O-RING, -014, 90 Duro, .489" ID x .070" Thk,
61	419684A1	1	TUBE,
62	418816A2	1	TUBE ASSY.,



08-38 MEGA FLOW HYDRAULICS - AUXILIARY REMOTE MOUNTING

Ref	Part Number	Qty	Description
1	429731A1	1	GUSSET, Support
2	86625255	5	WASHER, M13.5 x 24.5 x 3, HT,
3	337563	5	BOLT, Hex, M12 x 40, 10.9, Full Thd,
4	429730A2	1	BRACKET, Mounting, Mega Flow Remote Auxiliary
5	86624176	1	WASHER, M10 x 20 x 2,
6	398792	1	BOLT, Hex, M12 x 25, 10.9,
	411978A4	1	VALVE, HYDRAULIC, Two Section, Inc. 7 - 16
7	418456A4	1	MANIFOLD, Inlet / Outlet, See Figure: 08-39
8	393973A2	1	VALVE, Auxilary, Right-Hand, See Figure: 08-30
9	292295A3	1	VALVE, Auxilary, Main, See Figure: 08-30
	418704A2	2	COUPLING, Inc. 10, 11
10	440646A1	2	COUPLING, BREAK AWAY,
11	418705A1	1	COUPLING,
12	9846677	8	BOLT, Hex, M10 x 25, 10.9, Full Thd,
13	9501756	2	BOLT, Hex, M12 x 110, 10.9,
14	86556139	1	BOLT, Hex, M10 x 110, 10.9,
15	272344	12	O-RING, -112, 90 Duro, .487" ID x .103" Thk,
16	277634	12	O-RING, -117, 90 Duro, .799" ID x .103" Thk,
17	358968A1	1	COUPLING, Diagnostic
18	86598103	2	O-RING, CI 6, 23.6MM ID x 2.9 Thk,
19	298291A1	1	BODY, Coupler, Auxiliary, 3/4"
20	334216A1	5	CAP, Dust



TJ530 TRACTOR (1/06-) - Hydraulic System

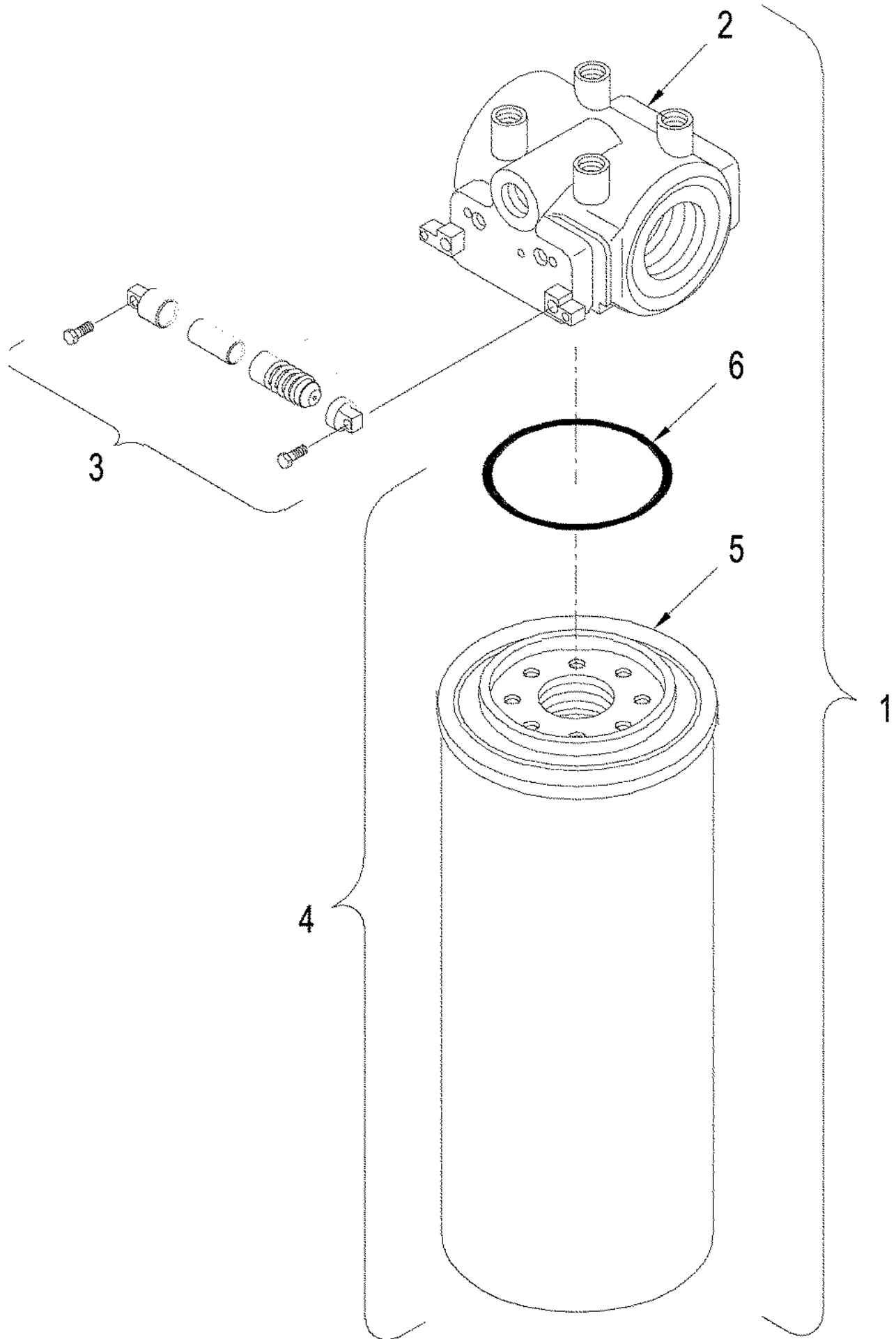
08-39 MEGA FLOW HYDRAULIC MANFOLD ASSY

Ref	Part Number	Qty	Description
	418456A4	1	MANIFOLD, Inlet / Outlet, Inc. 1 - 13
1	NSS	1	NOT SERVICED SEPARATELY, Body
2	353828A1	2	PLUG, Expansion
3	221576A1	1	PLUG, Hex Soc, M14 x 1.5, ORB, Inc. 4
4	86639042	1	O-RING, CI 6, 11.3MM ID x 2.2 Thk,
5	221578A1	1	PLUG, Hex Soc, M18 x 1.5, ORB, Inc. 6
6	86639043	1	O-RING, 15,3 ID x 2,2
7	221580A1	2	PLUG, Hex Soc, M27 x 2, ORB, Inc. 8
8	86639045	1	O-RING, CI 6, 23.6MM ID x 2.9 Thk,
9	221579A1	1	PLUG, Hex Soc, M22 x 1.5, ORB, Inc. 10
10	86639044	1	O-RING, CI 6, 19.3MM ID x 2.2 Thk,
11	431479A1	1	VALVE, CHECK,
12	334923A1	1	SCREEN,
13	86639046	1	O-RING, CI 6, 29.6MM ID x 2.9 Thk,
14	221527A1	2	PLUG, Hex Soc, M33 x 2, ORB, Inc. 14

TJ530 TRACTOR (1/06-) - Hydraulic System

08-40 MEGA FLOW HYDRAULIC PUMP ASSY

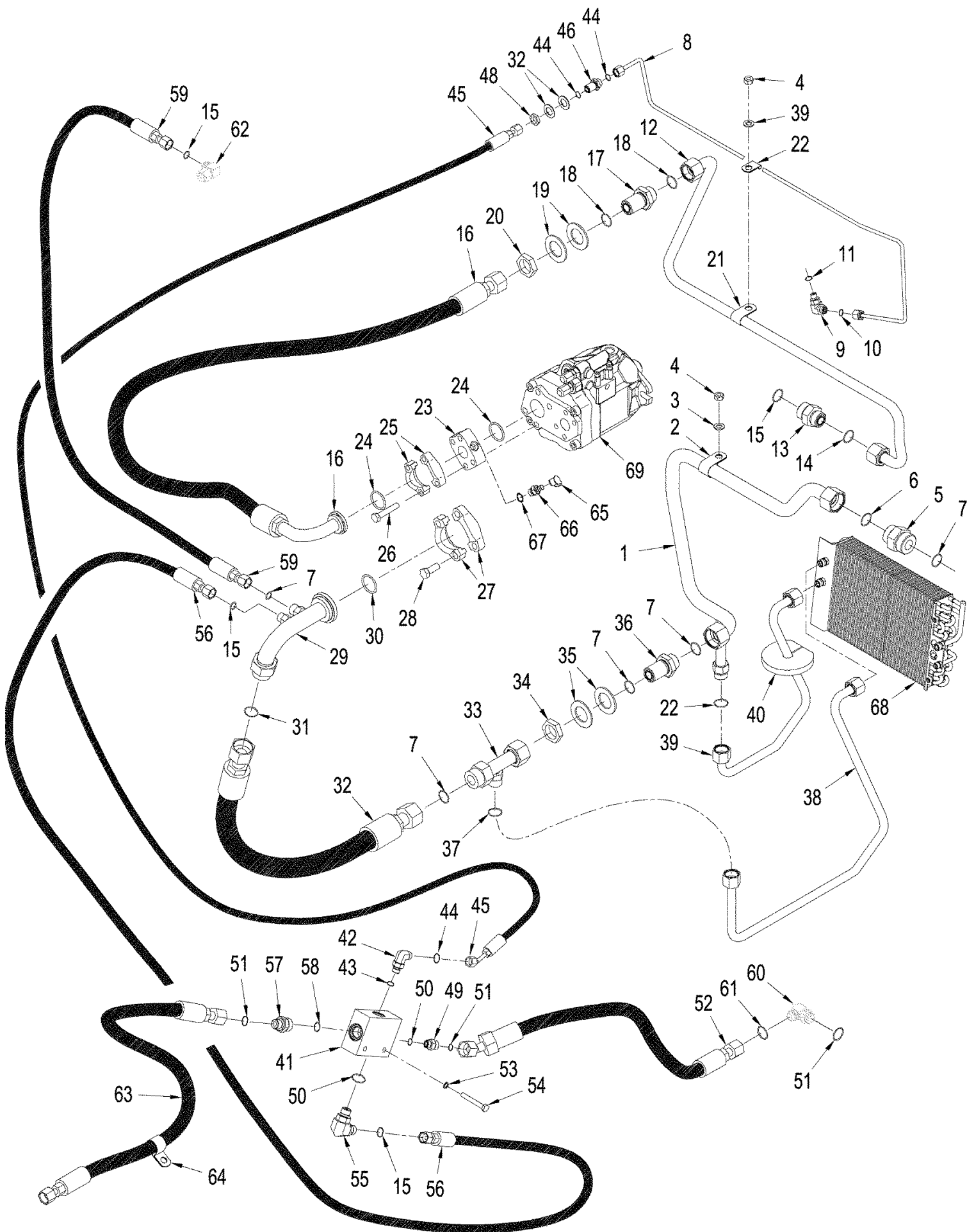
Ref	Part Number	Qty	Description
	407476A1	1	PUMP, HYDRAULIC, Inc. 1 - 22
1	NSS	1	NOT SERVICED SEPARATELY, Cylinder Assy
2	NSS	1	NOT SERVICED SEPARATELY, Piston Assy, Control
3	NSS	1	NOT SERVICED SEPARATELY, Housing
4	NSS	1	NOT SERVICED SEPARATELY, Block
5	NSS	1	NOT SERVICED SEPARATELY, Plate, Swash
6	NSS	1	NOT SERVICED SEPARATELY, Shaft
7	NSS	1	NOT SERVICED SEPARATELY, Washer
8	NSS	1	NOT SERVICED SEPARATELY, Spacer
9	NSS	1	NOT SERVICED SEPARATELY, Bearing, Roller
10	NSS	1	NOT SERVICED SEPARATELY, Bearing, Roller
11	NSS	2	NOT SERVICED SEPARATELY, Support
12	NSS	1	NOT SERVICED SEPARATELY, Seal
13	NSS	1	NOT SERVICED SEPARATELY, O-Ring
14	NSS	4	NOT SERVICED SEPARATELY, O-Ring
15	NSS	1	NOT SERVICED SEPARATELY, Ring, Snap
16	NSS	4	NOT SERVICED SEPARATELY, Screw
17	352875A2	1	VALVE, CONTROL,
18	NSS	1	NOT SERVICED SEPARATELY, Plug
19	NSS	1	NOT SERVICED SEPARATELY, O-Ring
20	NSS	1	NOT SERVICED SEPARATELY, Pin
21	NSS	2	NOT SERVICED SEPARATELY, Screw
22	430337A1	1	COUPLING, , With Manual Shift Transmission
22	432675A1	1	COUPLING, , With Power Shift Transmission
23	D53692	2	GASKET, , With Power Shift Transmission
24	86012300	1	O-RING, -256, 70 Duro, 5.734" ID x .139" Thk, , With Manual Shift Transmission
25	414192A1	1	FLANGE, Adapter, With Manual Shift Transmission
26	410995A1	3	O-RING, Control Valve
27	412596A1	4	SCREW,
28	388293A1	1	KIT, SEALS,
29	86991869	1	SPACER, , With Power Shift Transmission



TJ530 TRACTOR (1/06-) - Hydraulic System

08-41 OIL FILTER - MEGA FLOW HYDRAULICS

Ref	Part Number	Qty	Description
1	414219A1	1	FILTER, Mega Flow Hydraulic, Inc. 2 - 6
2	NSS	1	NOT SERVICED SEPARATELY, Head
3	440086A1	1	INDICATOR, Restriction
4	86989735	1	FILTER, HYDRAULIC OIL, Inc. 5 - 6
5	NSS	1	NOT SERVICED SEPARATELY, Element
6	NSS	1	NOT SERVICED SEPARATELY, O-Ring



TJ530 TRACTOR (1/06-) - Hydraulic System

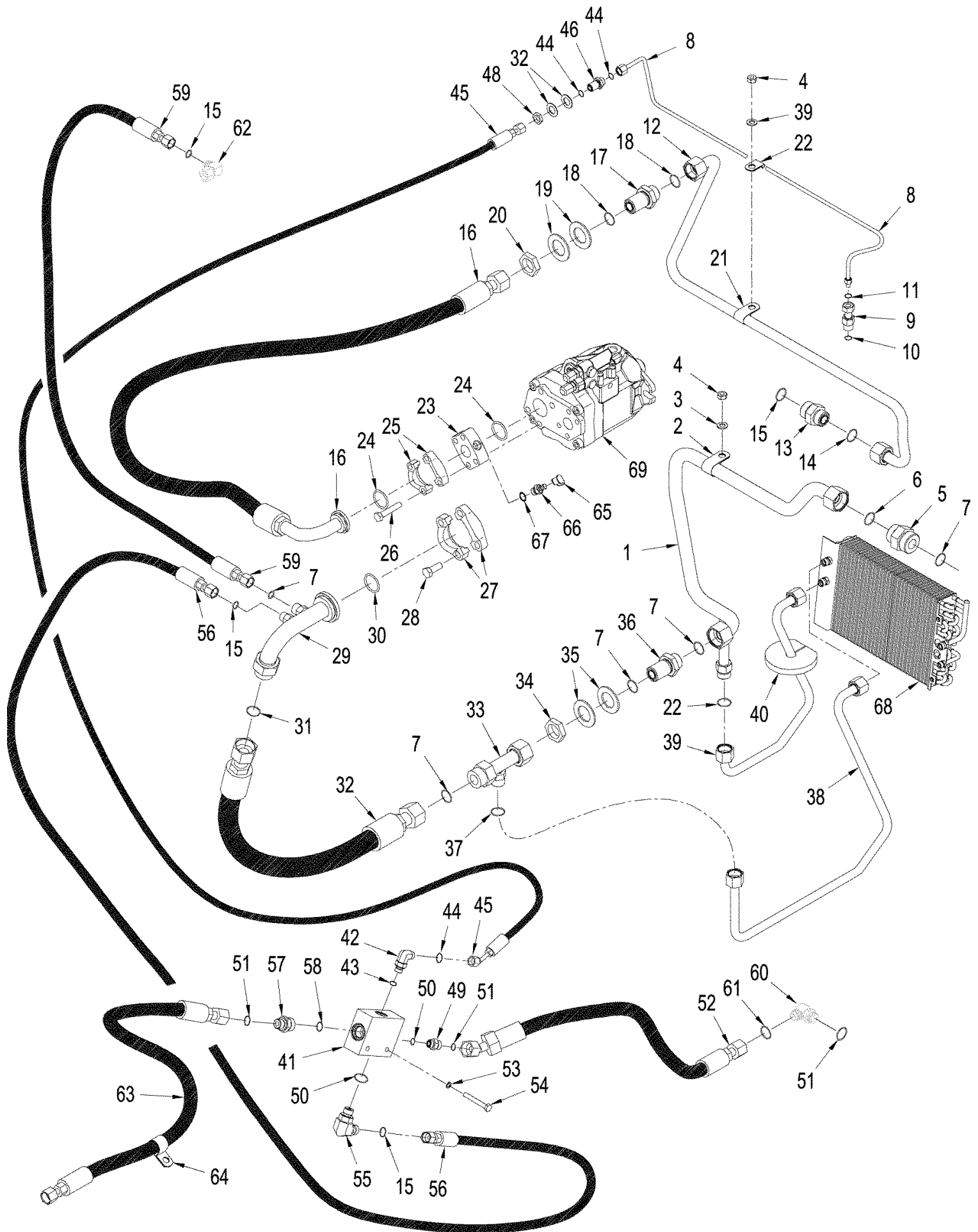
08-42 HYDRAULICS - FAN DRIVE CIRCUITRY, BSN Z6F200242

Ref	Part Number	Qty	Description
1	87344565	1	TUBE, HYD, Fan Return
2	515-25254	1	CLAMP, 1", Insul, 1/2" Bolt,
3	895-11010	3	WASHER, M10 x 20 x 2,
4	829-1410	3	NUT, M10, CI 10,
5	201-122	1	CONNECTOR, HYD., 1 7/16"-12 ORFS x 1 5/8"-12 ORB, Inc. 6 & 7
6	237-6020	1	O-RING, 20-1, 90 Duro, 1.475" ID x .118" Thk,
7	238-6021	5	O-RING, -021, 90 Duro, .926" ID x .070" Thk,
8	87437447	1	TUBE ASSY., Case Drain
9	201-303	1	ELBOW, 90e, 9/16"-18 x 7/16"-20 Adj, ORFS, Inc. 10 & 11
10	237-6004	1	O-RING, 4-1, 90 Duro, .351" ID x .072" Thk,
11	238-6011	1	O-RING, -011, 90 Duro, .301" ID x .070" Thk,
12	87437445	1	TUBE ASSY., Pressure Supply
13	201-129	1	CONNECTOR, HYD., 1 3/16"-12 ORFS x 1 5/16"-12 ORB, Inc. 14 & 15
14	237-6016	1	O-RING, 16-1, 90 Duro, 1.171" ID x .118" Thk,
15	238-6012	4	O-RING, -012, 90 Duro, .364" ID x .070" Thk,
16	87436044	1	HOSE ASSY., 876 mm (34-1/2")
17	701-140	1	UNION, 1 3/16"-12 ORFS, Blkd, Inc. 18
18	238-6018	2	O-RING, -018, 90 Duro, .739" ID x .070" Thk,
19	431806A1	2	WASHER,
20	701-1249	1	NUT, LOCK, 1 3/16"-12, ORFS Blkhd,
21	515-25190	2	CLAMP, 3/4", Insul, 1/2" Bolt,
22	515-2563	2	CLAMP, 1/4", Insul, 1/2" Bolt,
23	87440383	1	VALVE BLOCK, 1", Flange Port
24	238-5219	2	O-RING, -219, 70 Duro, 1.296" ID x .139" Thk,
25	A12306	2	FLANGE, Clamp, Half
26	827-10055	4	BOLT, Hex, M10 x 55, 10.9,
27	A14157	1	FLANGE, Clamp, Split, 1.50"
28	627-12030	4	BOLT, Hex, M12 x 30, 10.9,
29	87440350	1	TUBE ASSY., Fan Pump
30	238-5225	1	O-RING, -225, 70 Duro, 1.859" ID x .139" Thk,
31	238-6014	1	O-RING, -014, 90 Duro, .489" ID x .070" Thk,
32	87440035	1	HOSE ASSY., 889 mm (35")
33	433891A1	1	TUBE ASSY.,
34	701-908	1	NUT, LOCK, 1 7/16"-12, ORFS Blkhd,
35	431802A1	2	WASHER,
36	434004A1	1	VALVE, CHECK, Blk hd,
37	238-6016	2	O-RING, -016, 90 Duro, .614" ID x .070" Thk,
38	87305670	1	TUBE, HYD, Oil Cooler, Return
39	87344569	1	TUBE, HYD, Oil Cooler, Supply
40	87444087	1	SEAL, Shroud
41	87408680	1	BLOCK, Manifold
42	700-378	1	ELBOW, 90e, 9/16"-18 ORFS x M14 x 1.5 ORB, Inc. 43 & 44
43	637-63113	1	O-RING, CI 6, 11.3MM ID x 2.2 Thk,
44	238-6011	3	O-RING, -011, 90 Duro, .301" ID x .070" Thk,
45	87440034	1	HOSE ASSY.,

TJ530 TRACTOR (1/06-) - Hydraulic System

08-42 HYDRAULICS - FAN DRIVE CIRCUITRY, BSN Z6F200242

Ref	Part Number	Qty	Description
46	701-108	1	UNION, 9/16"-18 ORFS, Blkd, Inc. 44
47	87307708	2	WASHER,
48	701-1254	1	NUT, LOCK, 9/16"-18, ORFS Blkhd,
49	700-115	1	CONNECTOR, HYD., 1"-14 ORFS x M18 x 1.5 ORB, Inc. 50, 51
50	637-63153	2	O-RING, CI 6, 15.3MM ID x 2.2 Thk,
51	238-6016	3	O-RING, -016, 90 Duro, .614" ID x .070" Thk,
52	87445153	1	HOSE ASSY.,
53	895-11008	6	WASHER, M8 x 16 x 1.6,
54	827-8060	2	BOLT, Hex, M8 x 60, 10.9,
55	700-345	1	ELBOW, 90e, 11/16"-18 ORFS x M18 x 1.5 ORB, Inc. 15 & 50
56	87437799	1	HOSE ASSY.,
57	700-103	1	CONNECTOR, HYD., 1"-14 ORFS x M22 x 1.5 ORB, Inc. 51 & 58
58	637-63193	1	O-RING, CI 6, 19.3MM ID x 2.2 Thk,
59	87344506	1	HOSE,
60	201-306	1	ELBOW, 90e, 1"-14 x 7/8"-14 Adj, ORFS, Inc. 51 & 61
61	237-6010	1	O-RING, 10-1, 90 Duro, .755" ID x .097" Thk,
62	701-319	1	ELBOW, 90e, 11/16"-16 ORFS x 11/16"-16 Fem Sw, Incl. 15
63	87437797	1	HOSE ASSY.,
64	515-23222	3	CLAMP, 7/8", Insul, 3/8" Bolt,
	178889A1	1	FITTING, Diagnostic, Inc. 65 - 67
65	86502604	1	DUST CAP, Dust
66	NSS	1	NOT SERVICED SEPARATELY, Fitting, Inc. 67
67	637-63113	1	O-RING, CI 6, 11.3MM ID x 2.2 Thk,
68	87434395	1	COOLER ASSY., Hydraulic Fan
69	87434402	1	PUMP, HYDRAULIC, Hydraulic Fan, See Figure: 08-43



TJ530 TRACTOR (1/06-) - Hydraulic System

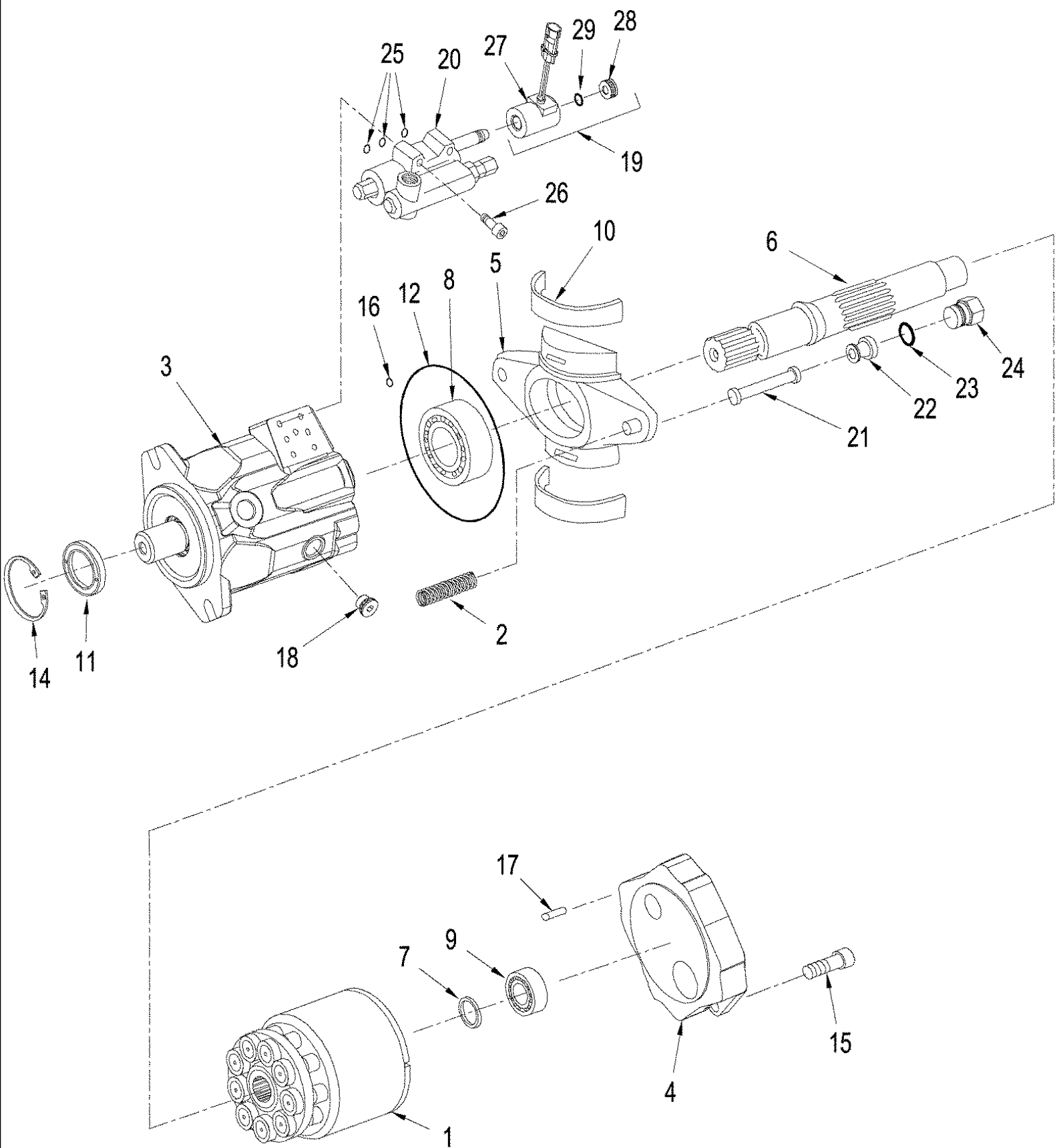
08-42(01) HYDRAULICS - FAN DRIVE CIRCUITRY, ASN Z6F200242

Ref	Part Number	Qty	Description
1	87387451	1	TUBE, HYD, Fan Return
2	515-25254	1	CLAMP, 1", Insul, 1/2" Bolt,
3	895-11010	3	WASHER, M10 x 20 x 2,
4	829-1410	3	NUT, M10, CI 10,
5	201-122	1	CONNECTOR, HYD., 1 7/16"-12 ORFS x 1 5/8"-12 ORB, Inc. 6 & 7
6	237-6020	1	O-RING, 20-1, 90 Duro, 1.475" ID x .118" Thk,
7	238-6021	5	O-RING, -021, 90 Duro, .926" ID x .070" Thk,
8	87387455	1	TUBE, HYD, Case Drain
9	87530057	1	FITTING, Inc. 10 & 11
10	237-6004	1	O-RING, 4-1, 90 Duro, .351" ID x .072" Thk,
11	238-6011	1	O-RING, -011, 90 Duro, .301" ID x .070" Thk,
12	87437445	1	TUBE ASSY., Pressure Supply
13	201-129	1	CONNECTOR, HYD., 1 3/16"-12 ORFS x 1 5/16"-12 ORB, Inc. 14 & 15
14	237-6016	1	O-RING, 16-1, 90 Duro, 1.171" ID x .118" Thk,
15	238-6012	4	O-RING, -012, 90 Duro, .364" ID x .070" Thk,
16	87436044	1	HOSE ASSY., 876 mm (34-1/2")
17	701-140	1	UNION, 1 3/16"-12 ORFS, Blkd, Inc. 18
18	238-6018	2	O-RING, -018, 90 Duro, .739" ID x .070" Thk,
19	431806A1	2	WASHER,
20	701-1249	1	NUT, LOCK, 1 3/16"-12, ORFS Blkhd,
21	515-25190	2	CLAMP, 3/4", Insul, 1/2" Bolt,
22	515-2563	2	CLAMP, 1/4", Insul, 1/2" Bolt,
23	87440383	1	VALVE BLOCK, 1", Flange Port
24	238-5219	2	O-RING, -219, 70 Duro, 1.296" ID x .139" Thk,
25	A12306	2	FLANGE, Clamp, Half
26	827-10055	4	BOLT, Hex, M10 x 55, 10.9,
27	A14157	1	FLANGE, Clamp, Split, 1.50"
28	627-12030	4	BOLT, Hex, M12 x 30, 10.9,
29	87440350	1	TUBE ASSY., Fan Pump
30	238-5225	1	O-RING, -225, 70 Duro, 1.859" ID x .139" Thk,
31	238-6014	1	O-RING, -014, 90 Duro, .489" ID x .070" Thk,
32	87440035	1	HOSE ASSY.,
33	433891A1	1	TUBE ASSY.,
34	701-908	1	NUT, LOCK, 1 7/16"-12, ORFS Blkhd,
35	431802A1	2	WASHER,
36	434004A1	1	VALVE, CHECK, Blk hd,
37	238-6016	2	O-RING, -016, 90 Duro, .614" ID x .070" Thk,
38	87305670	1	TUBE, HYD, Oil Cooler, Return
39	87344569	1	TUBE, HYD, Oil Cooler, Supply
40	87444087	1	SEAL, Shroud
41	87408680	1	BLOCK, Manifold
42	700-378	1	ELBOW, 90e, 9/16"-18 ORFS x M14 x 1.5 ORB, Inc. 43 & 44
43	637-63113	1	O-RING, CI 6, 11.3MM ID x 2.2 Thk,
44	238-6011	3	O-RING, -011, 90 Duro, .301" ID x .070" Thk,
45	87440034	1	HOSE ASSY.,

TJ530 TRACTOR (1/06-) - Hydraulic System

08-42(01) HYDRAULICS - FAN DRIVE CIRCUITRY, ASN Z6F200242

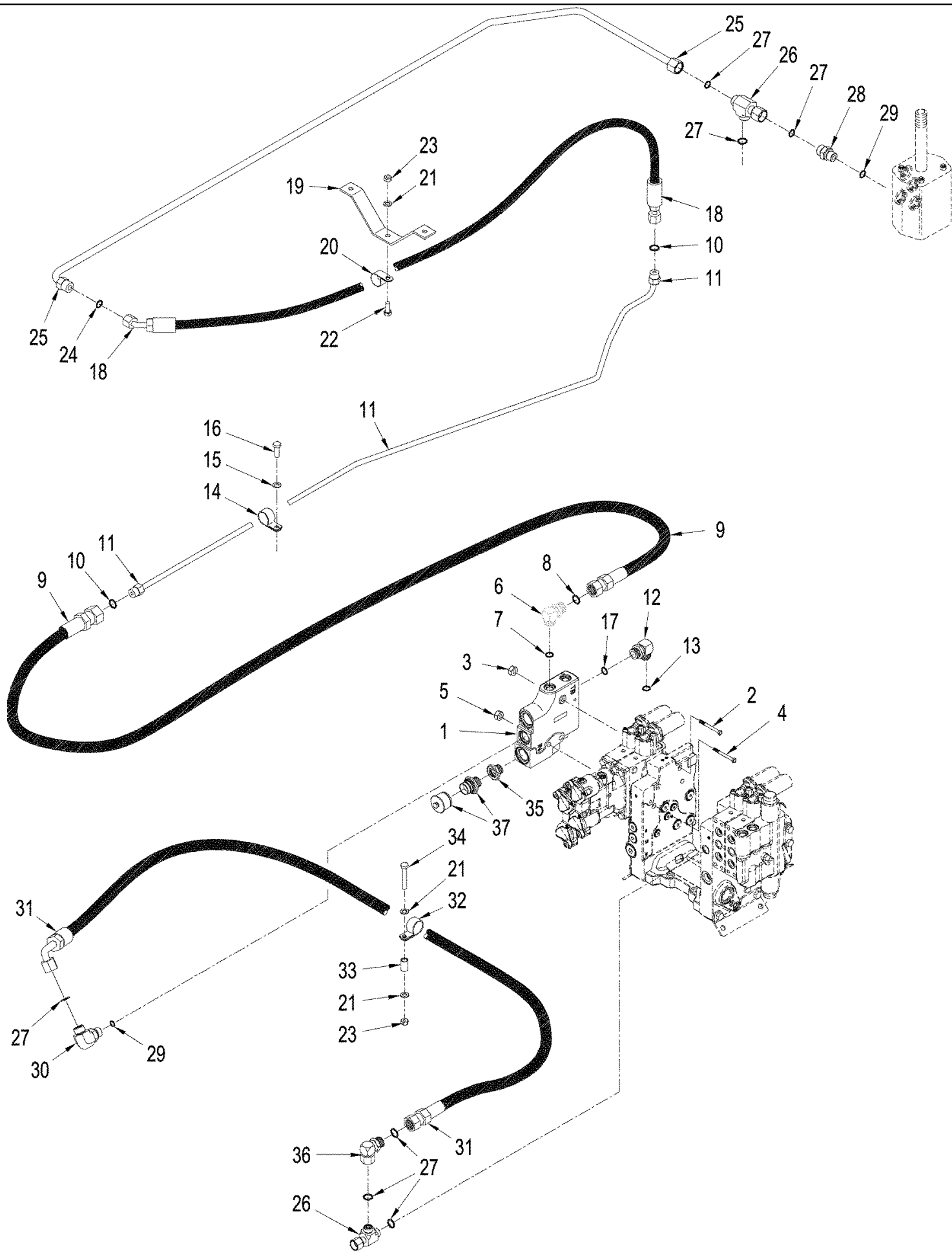
Ref	Part Number	Qty	Description
46	701-108	1	UNION, 9/16"-18 ORFS, Blkd, Inc. 44
47	87307708	2	WASHER,
48	701-1254	1	NUT, LOCK, 9/16"-18, ORFS Blkd,
49	700-115	1	CONNECTOR, HYD., 1"-14 ORFS x M18 x 1.5 ORB, Inc. 50, 51
50	637-63153	2	O-RING, CI 6, 15.3MM ID x 2.2 Thk,
51	238-6016	3	O-RING, -016, 90 Duro, .614" ID x .070" Thk,
52	87445153	1	HOSE ASSY.,
53	895-11008	6	WASHER, M8 x 16 x 1.6,
54	827-8060	2	BOLT, Hex, M8 x 60, 10.9,
55	700-345	1	ELBOW, 90e, 11/16"-18 ORFS x M18 x 1.5 ORB, Inc. 15 & 50
56	87437799	1	HOSE ASSY.,
57	700-103	1	CONNECTOR, HYD., 1"-14 ORFS x M22 x 1.5 ORB, Inc. 51 & 58
58	637-63193	1	O-RING, CI 6, 19.3MM ID x 2.2 Thk,
59	87344506	1	HOSE,
60	201-306	1	ELBOW, 90e, 1"-14 x 7/8"-14 Adj, ORFS, Inc. 51 & 61
61	237-6010	1	O-RING, 10-1, 90 Duro, .755" ID x .097" Thk,
62	701-319	1	ELBOW, 90e, 11/16"-16 ORFS x 11/16"-16 Fem Sw, Incl. 15
63	87437797	1	HOSE ASSY.,
64	515-23222	3	CLAMP, 7/8", Insul, 3/8" Bolt,
	178889A1	1	FITTING, Diagnostic, Inc. 65 - 67
65	86502604	1	DUST CAP, Dust
66	NSS	1	NOT SERVICED SEPARATELY, Fitting, Inc. 67
67	637-63113	1	O-RING, CI 6, 11.3MM ID x 2.2 Thk,
68	87434395	1	COOLER ASSY., Hydraulic Fan
69	87434402	1	PUMP, HYDRAULIC, Hydraulic Fan, See Figure: 08-43



TJ530 TRACTOR (1/06-) - Hydraulic System

08-43 HYDRAULIC FAN PUMP ASSY

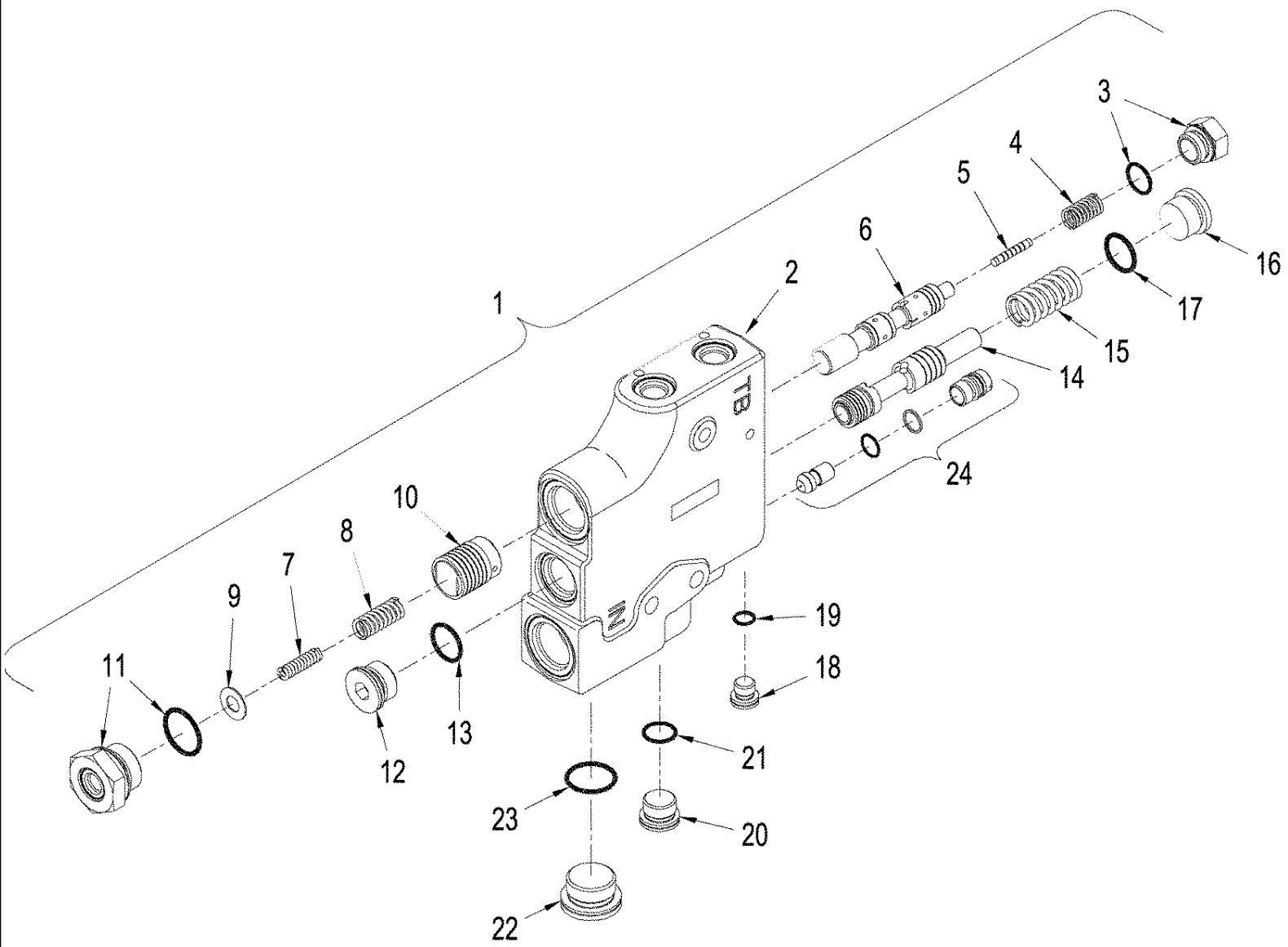
Ref	Part Number	Qty	Description
	87434402	1	PUMP, HYDRAULIC, Hydraulic Fan, 100 cc, Inc. 1 - 20
1	NSS	1	NOT SERVICED SEPARATELY, Cylinder Assy
2	NSS	1	NOT SERVICED SEPARATELY, Spring
3	NSS	1	NOT SERVICED SEPARATELY, Housing
4	NSS	1	NOT SERVICED SEPARATELY, Block
5	NSS	1	NOT SERVICED SEPARATELY, Plate, Swash
6	NSS	1	NOT SERVICED SEPARATELY, Shaft
7	NSS	1	NOT SERVICED SEPARATELY, Spacer, Shim
8	NSS	1	NOT SERVICED SEPARATELY, Bearing, Roller
9	NSS	1	NOT SERVICED SEPARATELY, Bearing, Roller
10	NSS	2	NOT SERVICED SEPARATELY, Bearing, Roller
11	87414121	1	SEAL,
12	87414122	1	O-RING,
13	NSS	4	NOT SERVICED SEPARATELY, O-Ring
14	NSS	1	NOT SERVICED SEPARATELY, Ring, Retaining
15	NSS	4	NOT SERVICED SEPARATELY, Screw, M10 x 30
16	436750A1	1	O-RING,
17	NSS	1	NOT SERVICED SEPARATELY, Pin, Dowel
18	NSS	1	NOT SERVICED SEPARATELY, Plug
19	436751A1	1	SOLENOID,
20	436536A1	1	VALVE, PILOT, Inc. 19
21	NSS	1	NOT SERVICED SEPARATELY, Rod, Piston
22	NSS	1	NOT SERVICED SEPARATELY, Piston, Control
23	436535A1	1	O-RING,
24	NSS	1	NOT SERVICED SEPARATELY, Plug
25	87414122	3	O-RING,
26	NSS	4	NOT SERVICED SEPARATELY,
27	NSS	1	NOT SERVICED SEPARATELY, Solenoid, Control Valve
28	87703282	1	NUT, SPECIAL, Plastic
29	638-53200	1	O-RING,



TJ530 TRACTOR (1/06-) - Hydraulic System

08-44 TRAILER BRAKES - HYDRAULIC

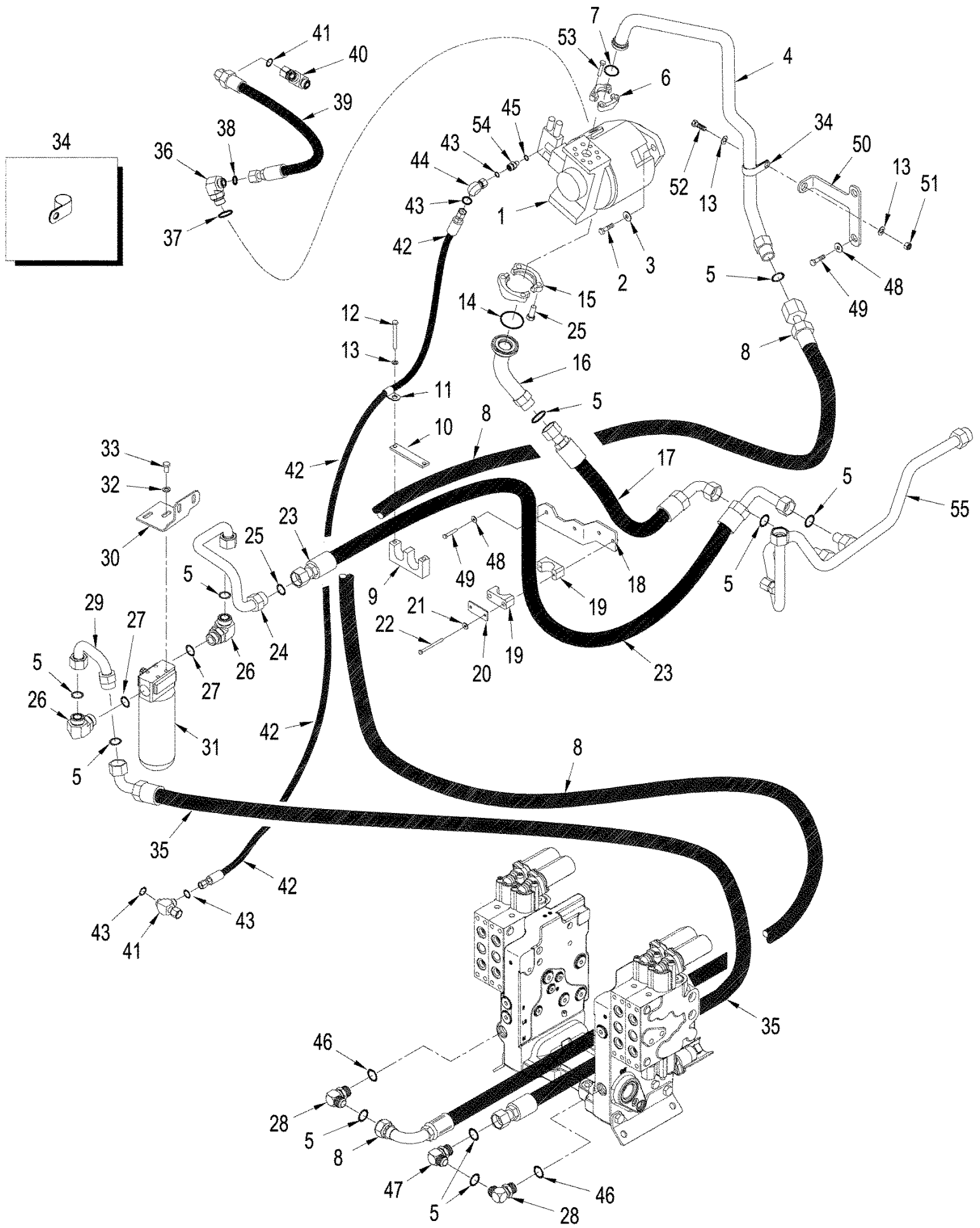
Ref	Part Number	Qty	Description
1	87388358	1	VALVE SECTION, Trailer Brake / Priority, See Figure: 08-45
2	87418098	1	STUD, Tie, Rod
3	304951A1	1	NUT,
4	87430079	2	STUD, Tie, Rod
5	829-1312	2	NUT, M12 x 1.75, CI 10,
6	700-304	1	ELBOW, 90ε, 11/16"-18 ORFS x M14 x 1.5 ORB, Incl. 7 & 8
7	637-63113	1	O-RING, CI 6, 11.3MM ID x 2.2 Thk,
8	238-6012	1	O-RING, -012, 90 Duro, .364" ID x .070" Thk,
9	87346096	1	HOSE ASSY., 546 mm (21 1/2")
10	238-6012	2	O-RING, -012, 90 Duro, .364" ID x .070" Thk,
11	87342885	1	TUBE, HYD, Trailer Brake, RF
12	700-318	1	ELBOW, 45ε, 1 7/16"-12 ORFS x M33 x 2 ORB, Inc. 13 & 17
13	637-64296	1	O-RING, CI 6, 29.6MM ID x 2.9 Thk,
14	515-2495	3	CLAMP, 3/8", Insul, 7/16" Bolt,
15	895-18010	4	WASHER, M10 x 18 x 1.6,
16	627-10020	3	BOLT, Hex, M10 x 20, 10.9, Full Thd,
17	238-6021	1	O-RING, -021, 90 Duro, .926" ID x .070" Thk,
18	87346094	1	HOSE ASSY., 948 mm (37")
19	87384904	1	BRACKET,
20	515-22254	1	CLAMP, 1", Insul, 5/16" Bolt,
21	895-11008	12	WASHER, M8 x 16 x 1.6,
22	627-8020	3	BOLT, Hex, M8 x 20, 10.9,
23	829-1408	7	NUT, M8, CI 10,
24	238-6014	1	O-RING, -014, 90 Duro, .489" ID x .070" Thk,
25	87342347	1	TUBE, HYD,
26	701-416	2	TEE, 13/16"-16 ORFS x 13/16"-16 Fem Sw Run, Inc. 27
27	238-6014	3	O-RING, -014, 90 Duro, .489" ID x .070" Thk,
28	700-102	1	CONNECTOR, HYD., 13/16"-16 ORFS x M18 x 1.5 ORB, Inc. 27 & 29
29	637-63153	1	O-RING, CI 6, 15.3MM ID x 2.2 Thk,
30	700-305	1	ELBOW, 90ε, 13/16"-18 ORFS x M18 x 1.5 ORB,
31	87367884	1	HOSE ASSY., 1371 mm (54")
32	515-23206	2	CLAMP, 13/16", Insul, 3/8" Bolt,
33	414937A1	2	SPACER,
34	827-8050	2	BOLT, Hex, M8 x 50, 10.9,
35	87371306	1	REMOTE S/D W/ KICK OUT AN, Quick Connect
36	701-320	1	ELBOW, 90ε, 13/16"-16 ORFS x 13/16"-16 Fem Sw,
37	737606R1	1	BREAKER POINTS,



TJ530 TRACTOR (1/06-) - Hydraulic System

08-45 TRAILER BREAK, VALVE ASSY.

Ref	Part Number	Qty	Description
1	87388358	1	VALVE SECTION, Trailer Brake, Inc. 2 - 24
2	NSS	1	NOT SERVICED SEPARATELY, Housing
3	87324557	1	PLUG, STOP,
4	87444752	1	BRAKE SPRING, Return
5	86988723	1	SPOOL, Inner
6	87324553	1	SPOOL, Trailer Brake
7	87444751	1	BRAKE SPRING, Feathering Inner
8	87444750	1	BRAKE SPRING, Feathering Outer
9	NSS	AR	NOT SERVICED SEPARATELY, Shim
10	86988724	1	PISTON, Priority / Trailer Brake
11	87454597	1	PLUG,
12	221580A1	1	PLUG, Hex Soc, M27 x 2, ORB, Inc. 13
13	637-64236	1	O-RING, CI 6, 23.6MM ID x 2.9 Thk,
14	NSS	1	NOT SERVICED SEPARATELY, Spool
15	408447A1	1	SPRING, COMPRESSION,
16	218-5212	1	PLUG, Hex Soc, 1 1/16"-12 ORB, Inc. 17
17	237-6012	1	O-RING, 12-1, 90 Duro, .924 ID x .118" Thk,
18	221576A1	1	PLUG, Hex Soc, M14 x 1.5, ORB, Inc. 19
19	637-63113	1	O-RING, CI 6, 11.3MM ID x 2.2 Thk,
20	221579A1	1	PLUG, Hex Soc, M22 x 1.5, ORB, Inc. 21
21	637-63193	1	O-RING, CI 6, 19.3MM ID x 2.2 Thk,
22	221527A1	1	PLUG, Hex Soc, M33 x 2, ORB, Inc. 23
23	637-64296	1	O-RING, CI 6, 29.6MM ID x 2.9 Thk,
24	1542563C1	1	VALVE, CHECK, Logic



TJ530 TRACTOR (1/06-) - Hydraulic System

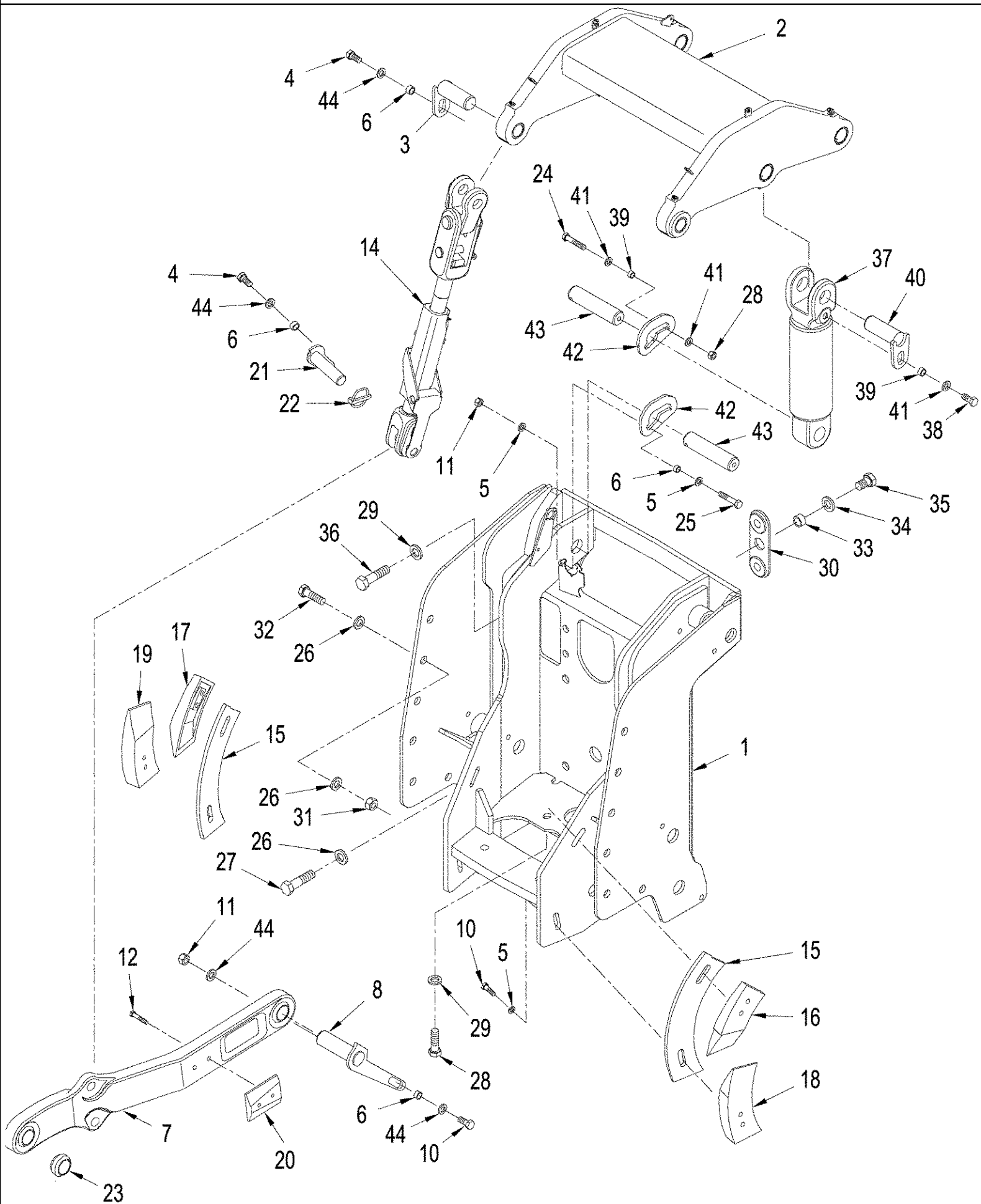
08-46 HYDRAULICS - PARALLEL FLOW CIRCUITRY

Ref	Part Number	Qty	Description
1	407476A1	1	PUMP, HYDRAULIC, Implement, See Figure: 08-40
2	86900235	2	BOLT, Hex, M16 x 55, 10.9, Full Thd, , With Manual Shift Transmission
2	86508624	2	BOLT, Hex, M16 x 45, 10.9, , With Power Shift Transmission
3	86625266	2	WASHER, M17.5 x 30 x 4, HT,
4	87576188	1	TUBE, Pressure Pump
5	9824050	13	O-RING, -021, 90 Duro, .926" ID x .070" Thk,
6	A12306	2	FLANGE, Split, 1
7	86529541	1	O-RING, -219, 90 Duro, 1.296" ID x .139" Thk,
8	87381559	1	HOSE, 3323 mm (131")
9	87578492	1	CLAMP, HOSE,
10	414856A1	1	PLATE, Hose Clamp
11	86639005	1	CLAMP, 5/8", Insul, 1/2" Bolt,
12	379748	2	BOLT, Hex, M8 x 80, 10.9,
13	86624184	2	WASHER, M8 x 16 x 1.6,
14	86637769	1	O-RING, -228, 90 Duro, 2.234" ID x .139" Thk,
15	A14141	2	FLANGE, Split, 2
16	414077A1	1	TUBE,
17	414196A1	1	HOSE, 825 mm (32")
18	433047A2	1	BRACKET, Mounting, Hose Clamp
19	429384A1	2	CLAMP,
20	429414A1	1	PLATE, COVER,
21	86624182	2	WASHER, M6 x 18 x 1.6,
22	43228	2	BOLT, Hex, M6 x 80, 10.9,
23	414464A1	1	HOSE, 1626 mm (64")
24	419661A1	1	TUBE,
26	86580180	2	ELBOW, 90e, 1 7/16"-12 ORFS x M33 x 2 ORB, Inc. 27, 28
27	86639046	1	O-RING, CI 6, 29.6MM ID x 2.9 Thk,
28	700-313	2	ELBOW, 90e, 1 7/16"-12 ORFS x M27 x 2 ORB, Inc. 5 & 46
29	419655A1	1	TUBE,
30	87341623	1	BRACKET, Mounting, Parallel Flow Filter
31	414219A1	6	FILTER, Parallel Flow Hydraulic Oil, See Figure: 08-41
32	86624176	2	WASHER, M10 x 20 x 2,
33	9861444	2	BOLT, Hex, M10 x 20, 10.9, Full Thd,
34	515-25254	1	CLAMP, 1", Insul, 1/2" Bolt,
35	87381560	1	HOSE, 2383 mm (94")
36	86637669	1	ELBOW, 90e, 1"-14 x 1 1/16"-12, Adj, ORFS, Inc. 37, 38
37	167266	1	O-RING, 12-1, 90 Duro, .924 ID x .116" Thk,
38	9992069	2	O-RING, -016, 90 Duro, .614" ID x .070" Thk,
39	431461A1	1	HOSE ASSY., 737 mm (29")
40	86642450	1	TEE, 1"-14 ORFS x 1"-14 Fem Sw Run, Inc. 38
41	9843615	1	TEE, 11/16"-16 ORFS x 11/16"-16 Fem Sw Run, Inc. 43
42	87572954	1	HOSE, 3138 mm (123-1/2")
43	9993141	8	O-RING, -012, 90 Duro, .364" ID x .070" Thk,
44	701-319	1	ELBOW, 90e, 11/16"-16 ORFS x 11/16"-16 Fem Sw,
45	237-6004	1	O-RING, 4-1, 90 Duro, .351" ID x .072" Thk,

TJ530 TRACTOR (1/06-) - Hydraulic System

08-46 HYDRAULICS - PARALLEL FLOW CIRCUITRY

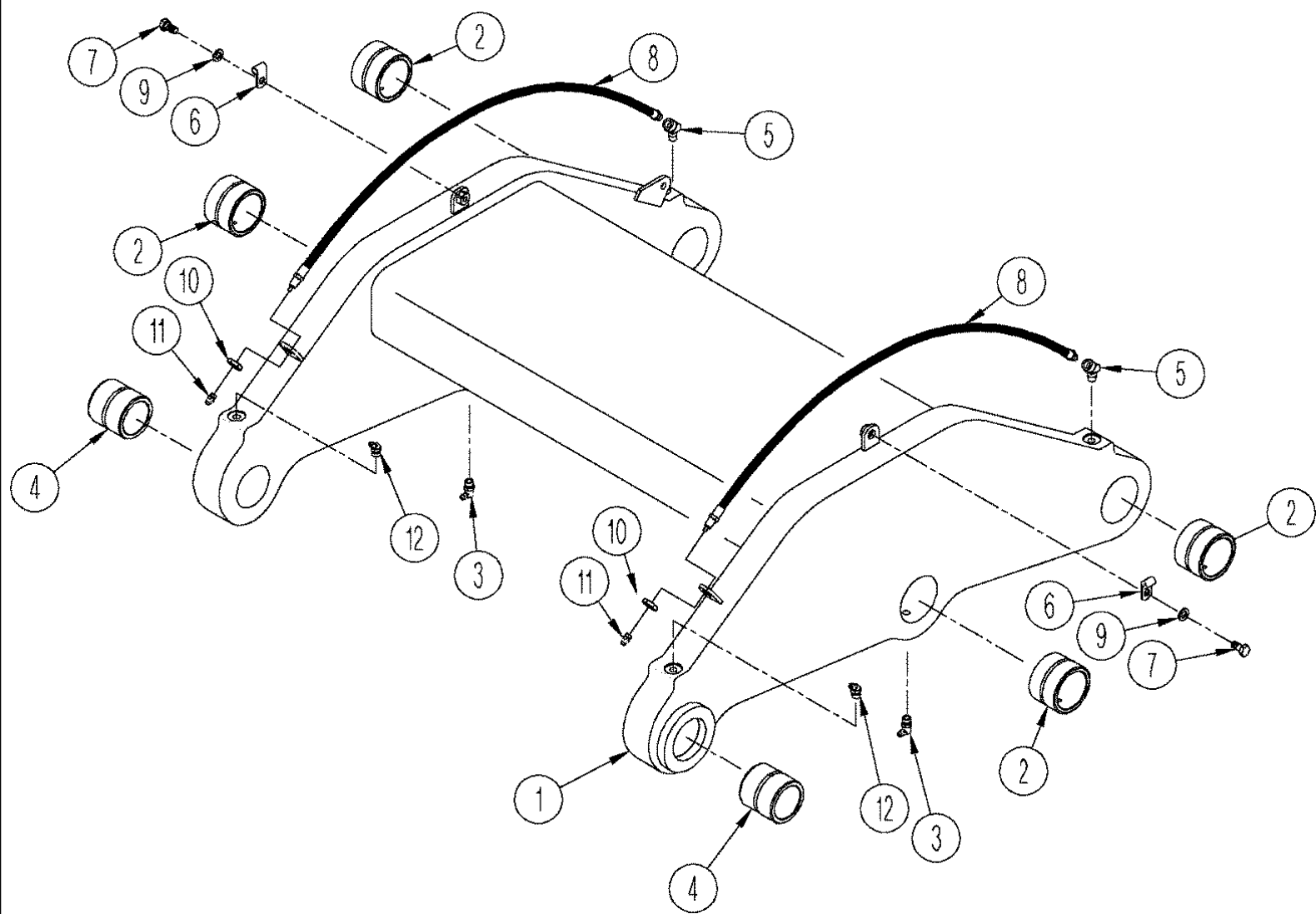
Ref	Part Number	Qty	Description
46	637-64236	2	O-RING, CI 6, 23.6MM ID x 2.9 Thk,
47	701-339	1	ELBOW, 90€, 1 7/16"-12 ORFS x 1 7/16"-12 Fem Sw, Inc. 5
48	896-11012	4	WASHER, M13.5 x 24.5 x 3, HT,
49	514-842	4	BOLT, Hex, M12 x 1.25 x 25, 8.8, Full Thd,
50	87576505	1	BRACKET, Support
51	829-1408	1	NUT, M8, CI 10,
52	627-8020	1	BOLT, Hex, M8 x 20, 10.9,
53	426-620	4	BOLT,
54	1957867C1	1	SCREEN, FILTER, 1/4" orb x 3/8" fc sl, Inc. 49, 50
55	418816A2	1	TUBE ASSY.,



TJ530 TRACTOR (1/06-) - Chassis/Attachments

09-01 THREE POINT HITCH

Ref	Part Number	Qty	Description
1	403741A1	1	MOUNTING PARTS,
2	403743A1	1	ROCKSHAFT, See Figure: 09-02
3	435504A1	4	PIN,
4	86529976	4	BOLT, Hex, M16 x 35, 10.9,
5	896-15016	8	WASHER, M17.5 x 34 x 5, HT,
6	435501A1	8	SPACER,
7	403717A1	2	ARM, Draft
8	347641A1	1	PIN, RH
9	348061A1	1	PIN, LH, Not Illustrated
10	86639033	10	BOLT, Hex, M16 x 60, 10.9, Full Thd,
11	392530	4	NUT, M16, CI 10,
12	86624980	4	BOLT, Hex, M12 x 65, 10.9,
13	NSS	1	NOT SERVICED SEPARATELY, Link Assy, Lift, RH, Not Illustrated, Order Component Parts, See Figure: 09-06
14	NSS	1	NOT SERVICED SEPARATELY, Link Assy, Lift, LH, Order Component Parts, See Figure: 09-06
15	403735A1	2	PLATE,
16	403744A1	1	BLOCK ASSY., No Sway, RH Upper
17	403745A1	1	BLOCK ASSY., No Sway, LH Upper
18	403746A1	1	BLOCK ASSY., No Sway, RH Lower
19	403747A1	1	BLOCK ASSY., No Sway, LH Lower
20	403748A1	2	BLOCK ASSY., Wear
21	322096A1	2	PIN,
22	A30338	2	PIN, Klik
23	275912A1	2	BALL,
24	9828248	2	BOLT, Hex, M16 x 60, 10.9,
25	86577946	2	BOLT, Hex, M16 x 80, 10.9,
26	86639319	28	WASHER, 26 x 44 x 5 mm
27	9780064	4	BOLT, Hex, M24 x 110, 10.9,
28	392530	2	NUT, M16, CI 10,
29	86625260	6	WASHER, M20 x 37.5 x 4, HT,
30	259389A1	2	PLATE, Retaining
31	9848973	12	NUT, M24, CI 10,
32	86639036	12	BOLT, Hex, M24 x 60, 10.9, Full Thd,
33	70-5967T1	2	SPACER,
34	86625266	2	WASHER, M17.5 x 30 x 4, HT,
35	86639032	2	BOLT, Hex, M16 x 25, 10.9, Full Thd,
36	9843590	4	BOLT, Hex, M20 x 50, 10.9,
37	87304295	2	CYLINDER, Lift, See Figure(s) : 08-36
38	86529976	2	BOLT, Hex, M16 x 35, 10.9,
39	435501A1	4	SPACER,
40	70-5973T2	2	PIN,
41	86625266	6	WASHER, M17.5 x 30 x 4, HT,
42	403204A1	2	PLATE, Pin Retaining
43	321188A2	2	PIN,
44	896-11016	12	WASHER, M17.5 x 30 x 4, HT,



TJ530 TRACTOR (1/06-) - Chassis/Attachments

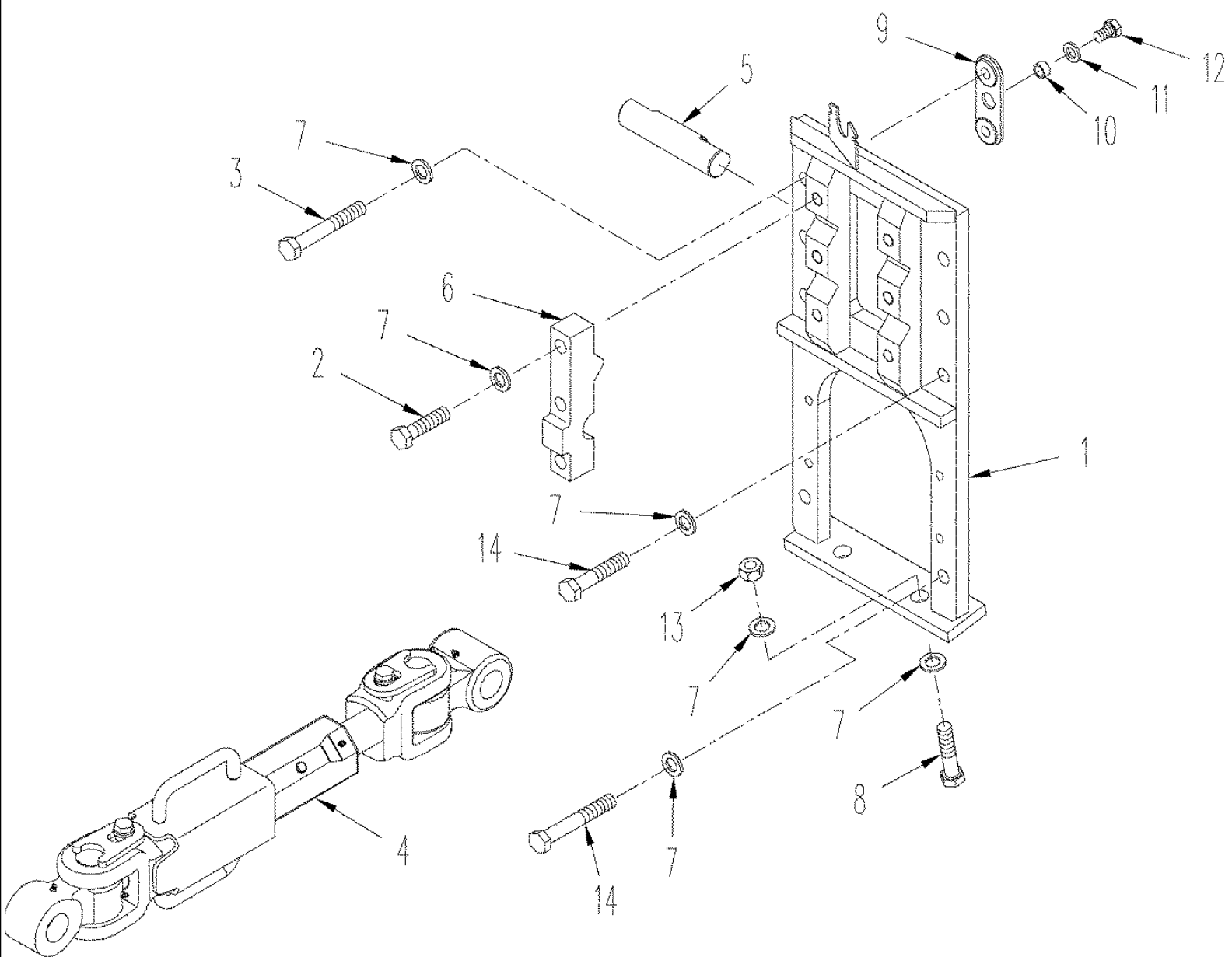
09-02 ROCKSHAFT

Ref	Part Number	Qty	Description
	403743A1	1	ROCKSHAFT, Inc. 1 - 5, 12
1	NSS	1	NOT SERVICED SEPARATELY, Rockshaft
2	435500A1	4	BUSHING,
3	80719	2	NIPPLE, LUBE, 90c, 1/8" NPT x .84" lg,
4	328586A2	2	BUSHING,
5	612715	2	ELBOW, 45°, 1/8" PT x Fem PT
6	853764	2	CLAMP, 5/16", Insul, 5/16" Bolt,
7	43232	2	SCREW,
8	1339231C1	2	HOSE, 737 mm (29"), Grease
9	86624184	2	WASHER, M8 x 16 x 1.6,
10	F53473	2	NUT, Special, 1/8" PT
11	87414	2	NIPPLE, LUBE, 1/4"-28 x .56" lg, Drive,
12	80717	2	NIPPLE, LUBE, 45c, 1/8" NPT x 7/8" lg,

TJ530 TRACTOR (1/06-) - Chassis/Attachments

09-03 THREE POINT HITCH - UPPER LINK, WITHOUT POWER TAKEOFF

Ref	Part Number	Qty	Description
1	403739A1	1	BRACKET, Mounting, Upper Link, without PTO
2	309663A1	1	PIN,
3	403737A1	2	CLAMP,
4	86625260	12	WASHER, M20 x 37.5 x 4, HT,
5	9846950	6	BOLT, Hex, M20 x 90, 10.9,
6	259389A1	6	PLATE, Retaining
7	435501A1	2	SPACER,
8	86625266	2	WASHER, M17.5 x 30 x 4, HT,
9	86639032	2	BOLT, Hex, M16 x 25, 10.9, Full Thd,
10	9846949	6	BOLT, Hex, M20 x 80, 10.9,
11	NSS	1	NOT SERVICED SEPARATELY, Link, Upper, Order Component Parts, See Figure: 09-05
12	9847024	2	NUT, M20, CI 10,
13	403736A1	1	PLATE,
14	86624176	4	WASHER, M10 x 20 x 2,
15	86500689	2	NUT, M10, CI 10,
16	86624978	2	BOLT, Hex, M10 x 35, 10.9, Full Thd,
17	86639145	4	BOLT, Hex, M20 x 130, 10.9,

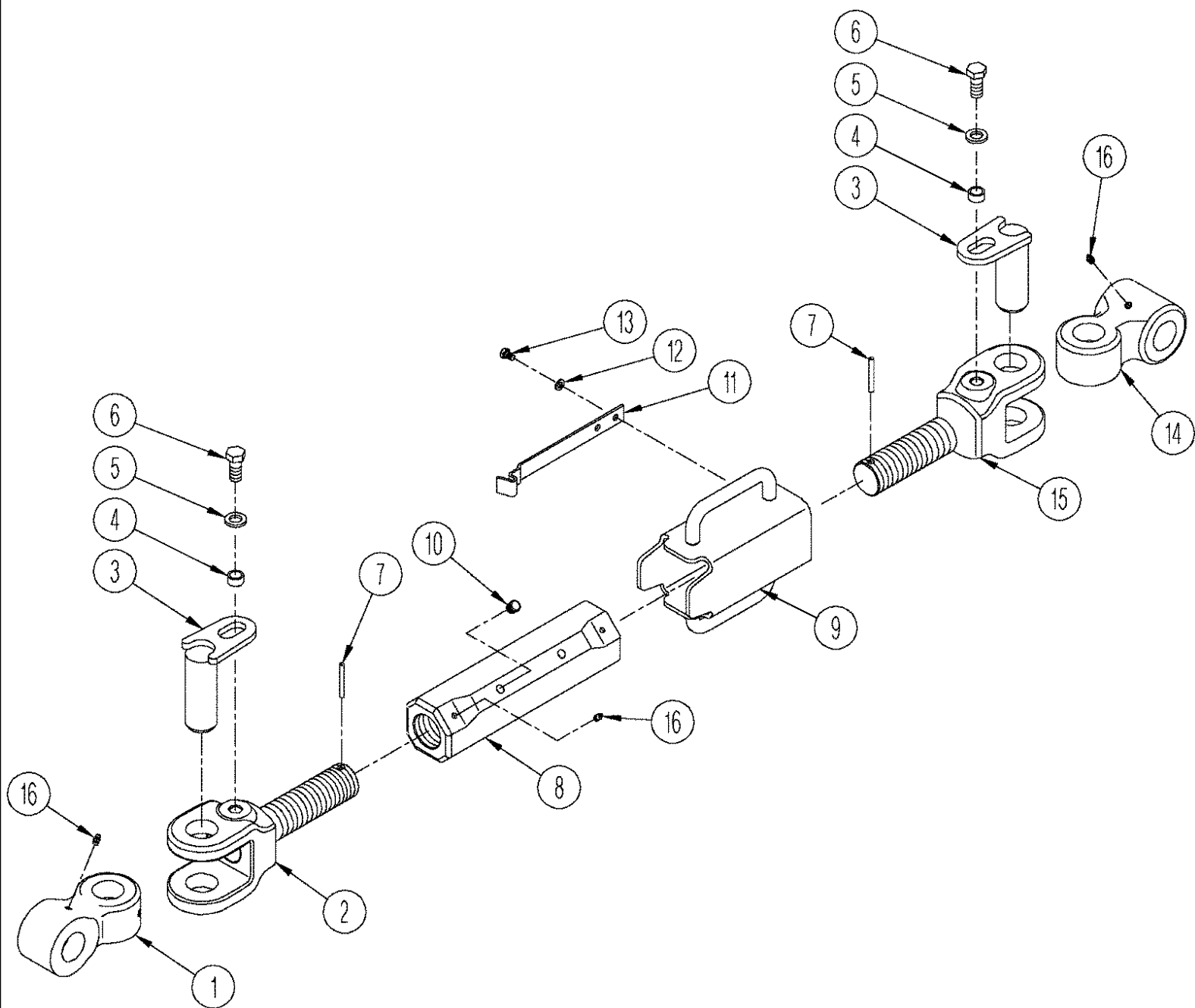


TJ530 TRACTOR (1/06-) - Chassis/Attachments

09-04 THREE POINT HITCH - UPPER LINK, WITH POWER TAKEOFF

Ref	Part Number	Qty	Description
1	403738A1	1	BRACKET, Mounting, Upper Link, with PTO
2	9846949	6	BOLT, Hex, M20 x 80, 10.9,
3	86624994	8	BOLT, Hex, M20 x 230, 10.9,
4	NSS	1	NOT SERVICED SEPARATELY, Link, Upper, Order Component Parts, See Figure: 09-05
5	309663A1	1	PIN,
6	403737A1	2	CLAMP,
7	86625260	16	WASHER, M20 x 37.5 x 4, HT,
8	9846950	2	BOLT, Hex, M20 x 90, 10.9,
9	259389A1	2	PLATE, Retaining
10	435501A1	4	SPACER,
11	86625266	4	WASHER, M17.5 x 30 x 4, HT,
12	86639032	4	BOLT, Hex, M16 x 25, 10.9, Full Thd,
13	9847024	2	NUT, M20, CI 10,
14	86639169	4	BOLT, Hex, M20 x 270, 10.9,

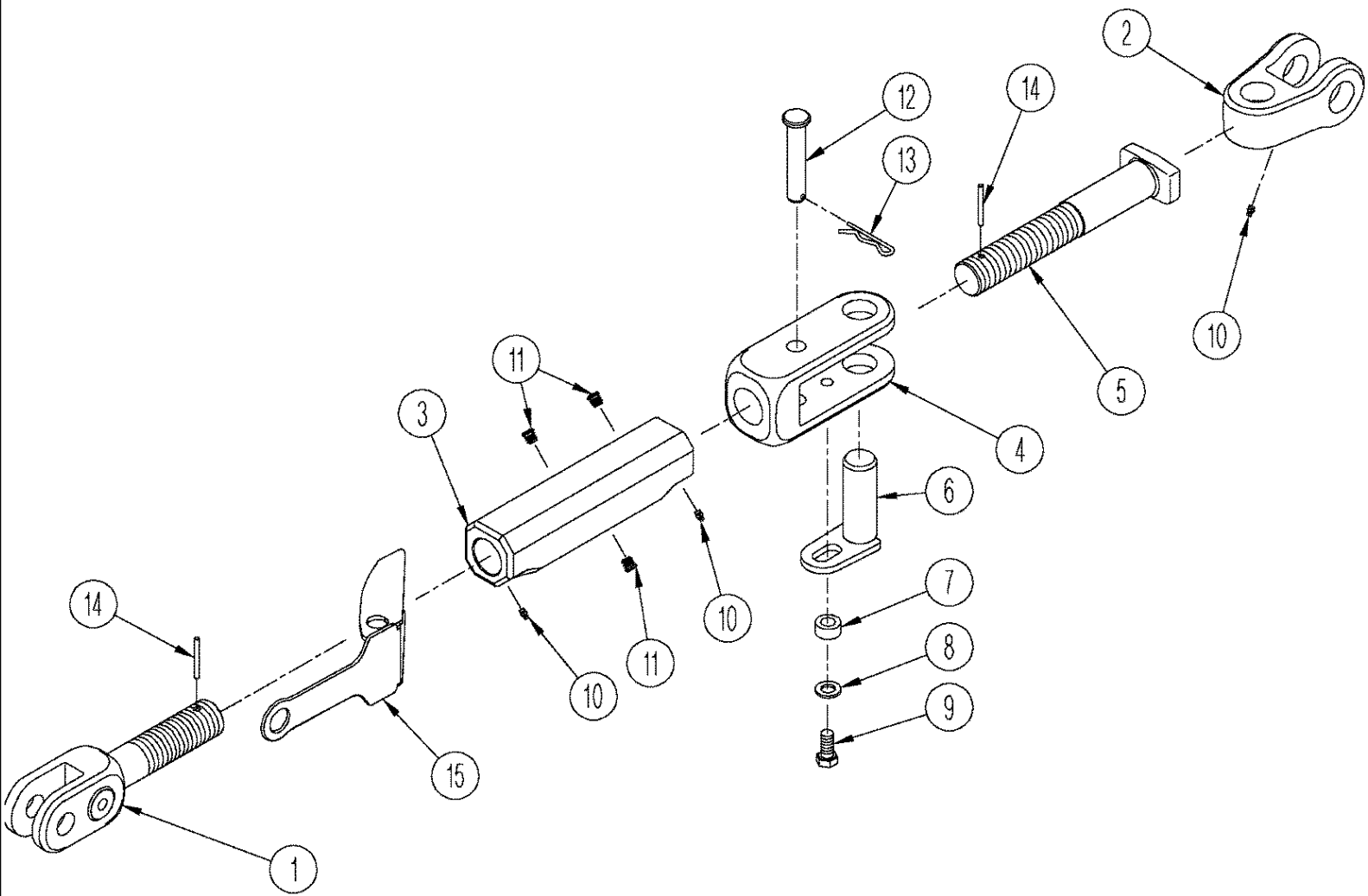
09-05 LINK ASSY - UPPER



TJ530 TRACTOR (1/06-) - Chassis/Attachments

09-05 LINK ASSY - UPPER

Ref	Part Number	Qty	Description
1	403726A1	1	KNUCKLE ASSY.,
2	403731A1	1	LINK, U-Joint, LH
3	435504A1	2	PIN,
4	435501A1	2	SPACER,
5	86625266	2	WASHER, M17.5 x 30 x 4, HT,
6	86529976	2	BOLT, Hex, M16 x 35, 10.9,
7	86639255	2	PIN, ROLL, M6 x 55
8	403729A1	1	TURNBUCKLE,
9	403730A1	1	LOCK,
10	295004A1	4	PLUG,
11	282523A1	1	LOCK, Anti-Rotation
12	86624184	2	WASHER, M8 x 16 x 1.6,
13	43231	2	BOLT, Hex, M8 x 12, 10.9, Full Thd,
14	403728A1	1	KNUCKLE ASSY.,
15	403733A1	1	LINK, U-Joint, RH
16	87414	6	NIPPLE, LUBE, 1/4"-28 x .56" lg, Drive,

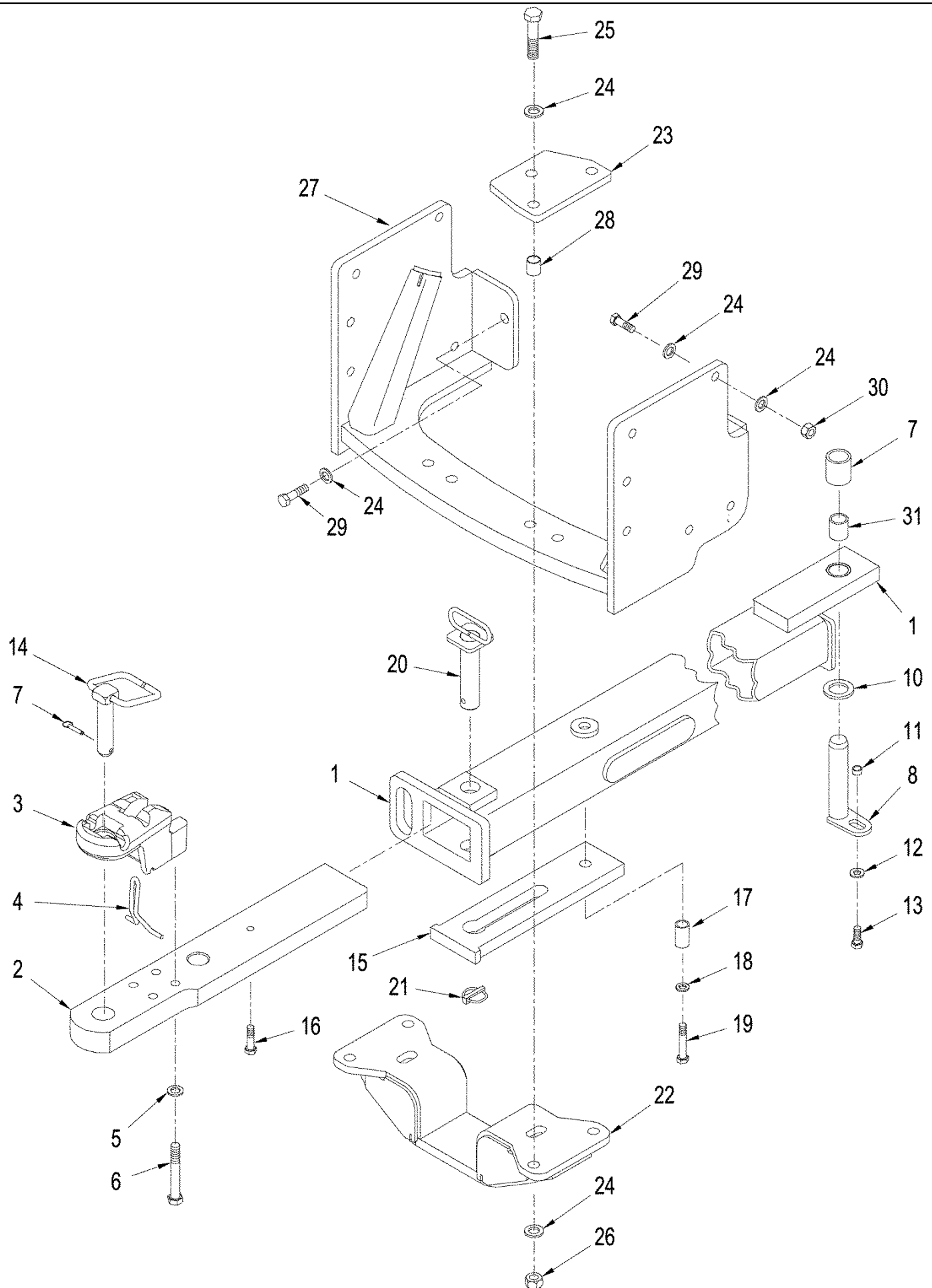


TJ530 TRACTOR (1/06-) - Chassis/Attachments

09-06 LINK ASSY - LIFT

Ref	Part Number	Qty	Description
1	329058A1	1	CLEVIS,
2	403720A1	1	KNUCKLE ASSY.,
3	403729A1	1	TURNBUCKLE,
4	403719A1	1	CLEVIS,
5	322446A1	1	BOLT, Special
6	435504A1	1	PIN,
7	435501A1	1	SPACER,
8	86625266	1	WASHER, M17.5 x 30 x 4, HT,
9	86529976	1	BOLT, Hex, M16 x 35, 10.9,
10	87414	3	NIPPLE, LUBE, 1/4"-28 x .56" lg, Drive,
11	295004A1	4	PLUG,
12	388469A1	1	PIN, CLEVIS,
13	86637653	1	PIN, SPLIT (COTTER), Int, 7/16" x .177",
14	86639255	2	PIN, ROLL, M6 x 55, Coiled Spring
15	344696A2	1	LATCH,

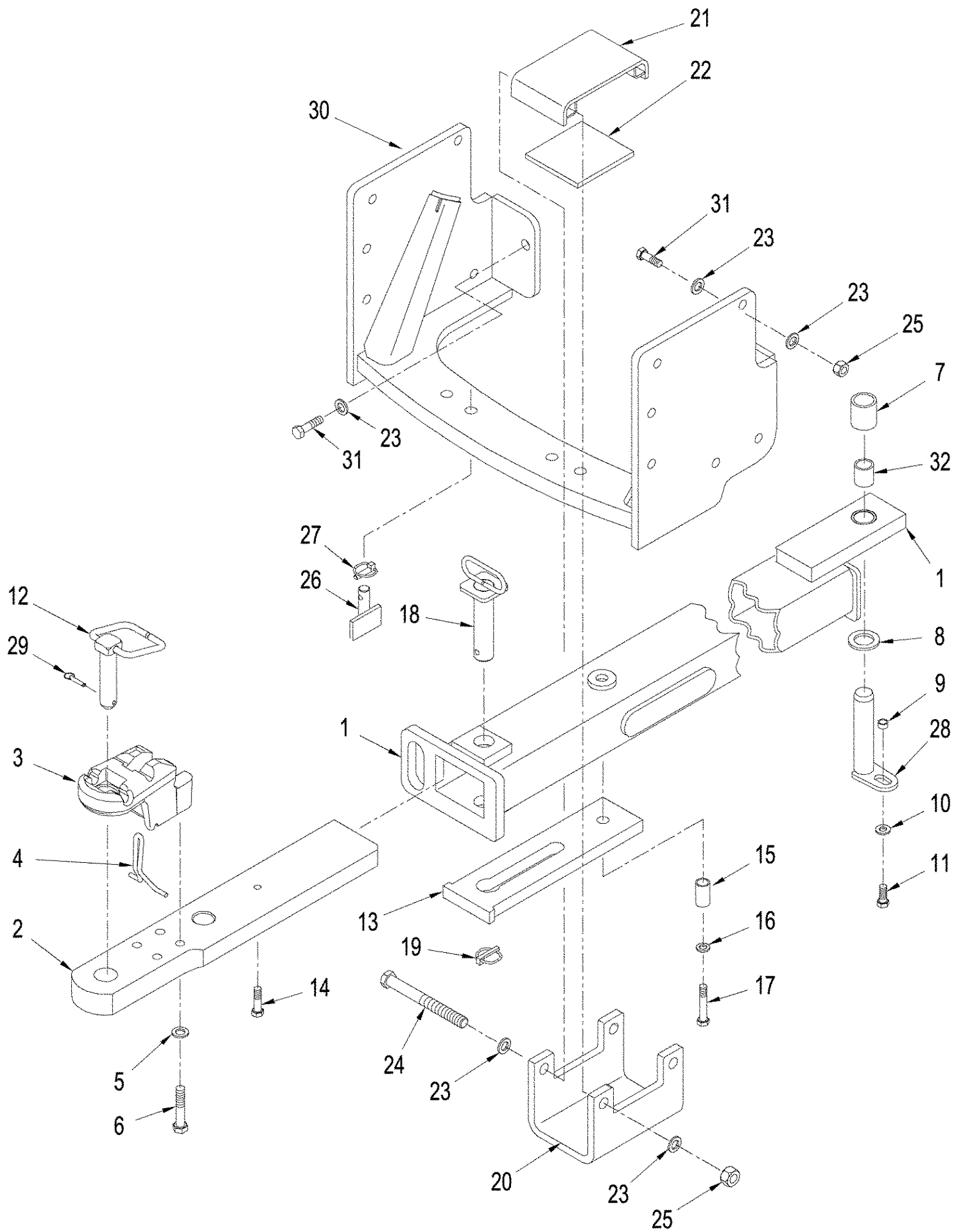
09-09 DRAWBAR - HEAVY DUTY, WITHOUT THREE POINT HITCH



TJ530 TRACTOR (1/06-) - Chassis/Attachments

09-09 DRAWBAR - HEAVY DUTY, WITHOUT THREE POINT HITCH

Ref	Part Number	Qty	Description
1	402654A1	1	DRAWBAR, Receiver
2	360219A3	1	DRAWBAR,
3	375719A1	1	STRAP, Drop Pin
4	375721A1	1	LATCH, Drop Pin
5	86625260	4	WASHER, M20 x 37.5 x 4, HT,
6	9843612	4	BOLT, Hex, M20 x 100, 10.9,
7	393878A1	1	PIN, Quick Release
8	195941A1	1	PIN,
9	361696A2	1	SPACER,
10	SFD014088	1	WASHER, 1-3/4"
11	435501A1	1	SPACER,
12	86624189	1	WASHER, 21/32" x 1 5/16" x .150",
13	374835	1	BOLT, Hex, M16 x 40, 10.9,
14	375720A1	1	PIN,
15	430620A1	1	PLATE, SPACER,
16	86529976	1	BOLT, Hex, M16 x 35, 10.9,
17	363131A2	1	SPACER,
18	80299	1	WASHER, 5/8",
19	375720A1	1	PIN, Hitch
20	430620A1	1	PLATE, SPACER,
21	86637660	1	PIN,
22	403220A1	1	HANGER, Drawbar, Lower
23	403221A1	2	PLATE, Mounting, Drawbar, Upper
24	86639319	12	WASHER, 26 x 44 x 5 mm
25	9780064	6	BOLT, Hex, M24 x 110, 10.9,
26	9848973	6	NUT, M24, CI 10,
27	87323021	1	HANGER, Drawbar
28	363130A1	4	SPACER,
29	86505751	14	BOLT, Hex, M24 x 70, 10.9, Full Thd,
30	9848973	12	NUT, M24, CI 10,
31	70-4620T2	1	BUSHING, LARGE, Drawbar Receiver



TJ530 TRACTOR (1/06-) - Chassis/Attachments

09-10 DRAWBAR - HEAVY DUTY, WITH THREE POINT HITCH

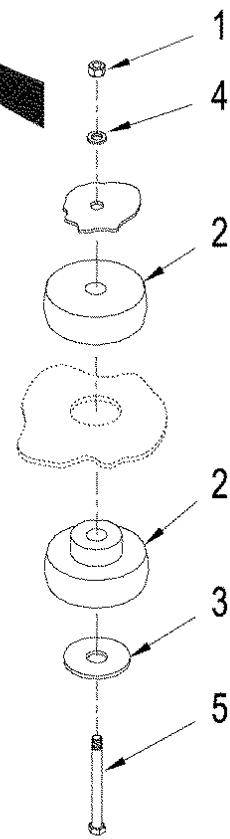
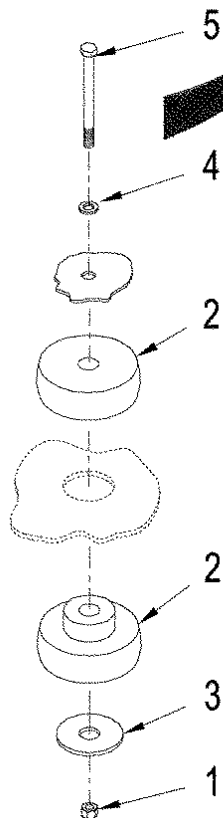
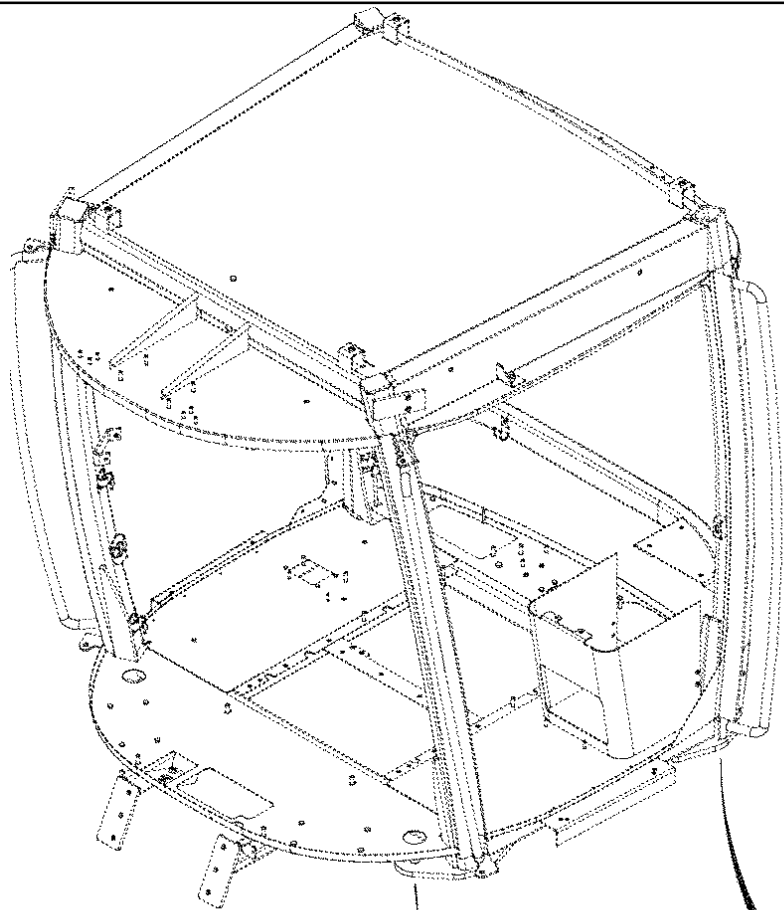
Ref	Part Number	Qty	Description
1	402654A1	1	DRAWBAR, Receiver
2	360219A3	1	DRAWBAR,
3	375719A1	1	STRAP, Drop Pin
4	375721A1	1	LATCH, Drop Pin
5	86625260	4	WASHER, M20 x 37.5 x 4, HT,
6	9843612	4	BOLT, Hex, M20 x 100, 10.9,
7	361696A2	1	SPACER,
8	SFD014088	1	WASHER, 1-3/4"
9	86624189	1	WASHER, 21/32" x 1 5/16" x .150",
10	86624189	1	WASHER, 21/32" x 1 5/16" x .150",
11	374835	1	BOLT, Hex, M16 x 40, 10.9,
12	375720A1	1	PIN, Drop
13	430620A1	1	PLATE, SPACER,
14	86529976	1	BOLT, Hex, M16 x 35, 10.9,
15	363131A2	1	SPACER,
16	80299	1	WASHER, 5/8",
17	9828248	1	BOLT, Hex, M16 x 60, 10.9,
18	403209A1	1	PIN,
19	86637660	1	PIN,
20	403217A1	1	YOKE,
21	403218A1	1	COVER ASSY,
22	363540A1	1	SPACER,
23	86639319	4	WASHER, 26 x 44 x 5 mm
24	86639187	2	BOLT, Hex, M24 x 270, 10.9,
25	9848973	14	NUT, M24, CI 10,
26	403219A1	2	PIN ASSY.,
27	517758R91	2	SPLIT PIN/SAFETY PIN,
28	195941A1	1	PIN,
29	393878A1	1	PIN, Quick Release
30	87441225	1	HANGER, Drawbar
31	86505751	14	BOLT, Hex, M24 x 70, 10.9, Full Thd,
32	70-4620T2	1	BUSHING, LARGE, Drawbar Receiver

TJ530 TRACTOR (1/06-) - Chassis/Attachments

09-11 DRAWBAR - REYNOLDS

Ref	Part Number	Qty	Description
1	NSS	1	NOT SERVICED SEPARATELY, Drawbar, Purchase Assembly and Component Parts Directly From Reynolds, McAllen, Texas.
2	NSS	1	NOT SERVICED SEPARATELY, Hanger, Drawbar, Purchase Assembly and Component Parts Directly From Reynolds, McAllen, Texas.
3	87448334	1	PLATE, Mounting, Drawbar
4	827-24180	3	BOLT, Hex, M24 x 180, 10.9,
5	86639319	32	WASHER, 26 x 44 x 5 mm
6	9848973	15	NUT, M24, CI 10,
	433446A1	1	PIN, HITCH, Inc. 7 - 10
7	NSS	1	NOT SERVICED SEPARATELY, Pin
8	NSS	1	NOT SERVICED SEPARATELY, Pin, Cotter
9	NSS	1	NOT SERVICED SEPARATELY, Washer
10	NSS	1	NOT SERVICED SEPARATELY, Nut, Slotted
11	86639184	14	BOLT, Hex, M24 x 80, 10.9, Full Thd,
12	87317191	1	WASHER,
13	195941A1	1	PIN,
14	381065A1	1	SPACER,
15	435501A1	1	SPACER,
16	86624189	1	WASHER, 21/32" x 1 5/16" x .150",
17	374835	1	BOLT, Hex, M16 x 40, 10.9,
	365945A1	1	KIT, Adapter, Reverse, Inc. 18, 19
18	446133A1	1	ASSEMBLY, Reverse Adapter
19	359522A1	1	PIN,
20	434402A1	3	SPACER,
21	NSS	1	NOT SERVICED SEPARATELY, Hitch, Quick

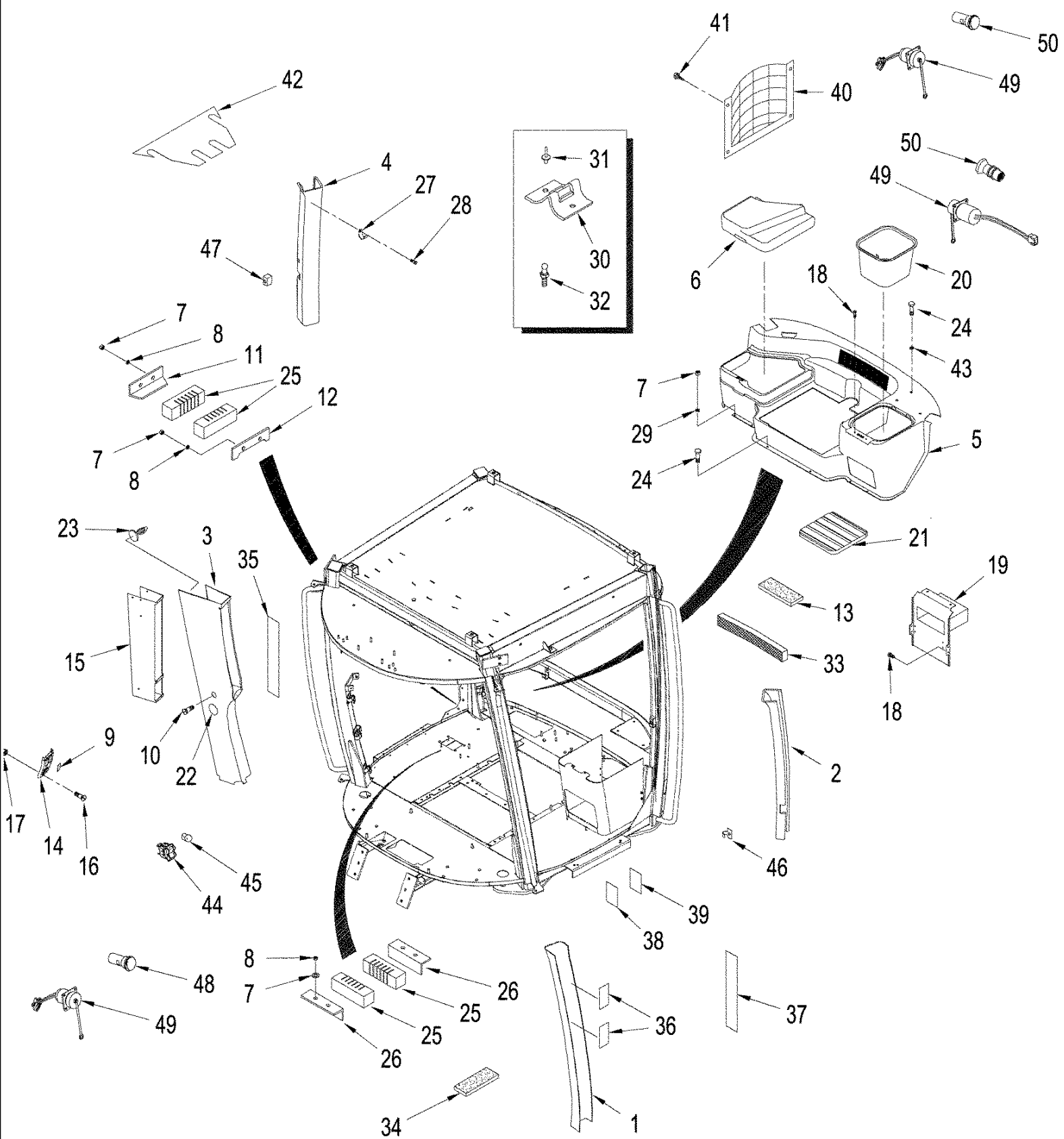
09-12 CAB MOUNTING



TJ530 TRACTOR (1/06-) - Chassis/Attachments

09-12 CAB MOUNTING

Ref	Part Number	Qty	Description
1	86639243	4	NUT, LOCK, M24 x 3, CI 8,
2	87422287	4	MOUNT, RUBBER, Isolator
3	371043A1	4	WASHER, Steel
4	86639319	4	WASHER, 26 x 44 x 5 mm
5	827-24160	4	BOLT, Hex, M24 x 160, 10.9,



TJ530 TRACTOR (1/06-) - Chassis/Attachments

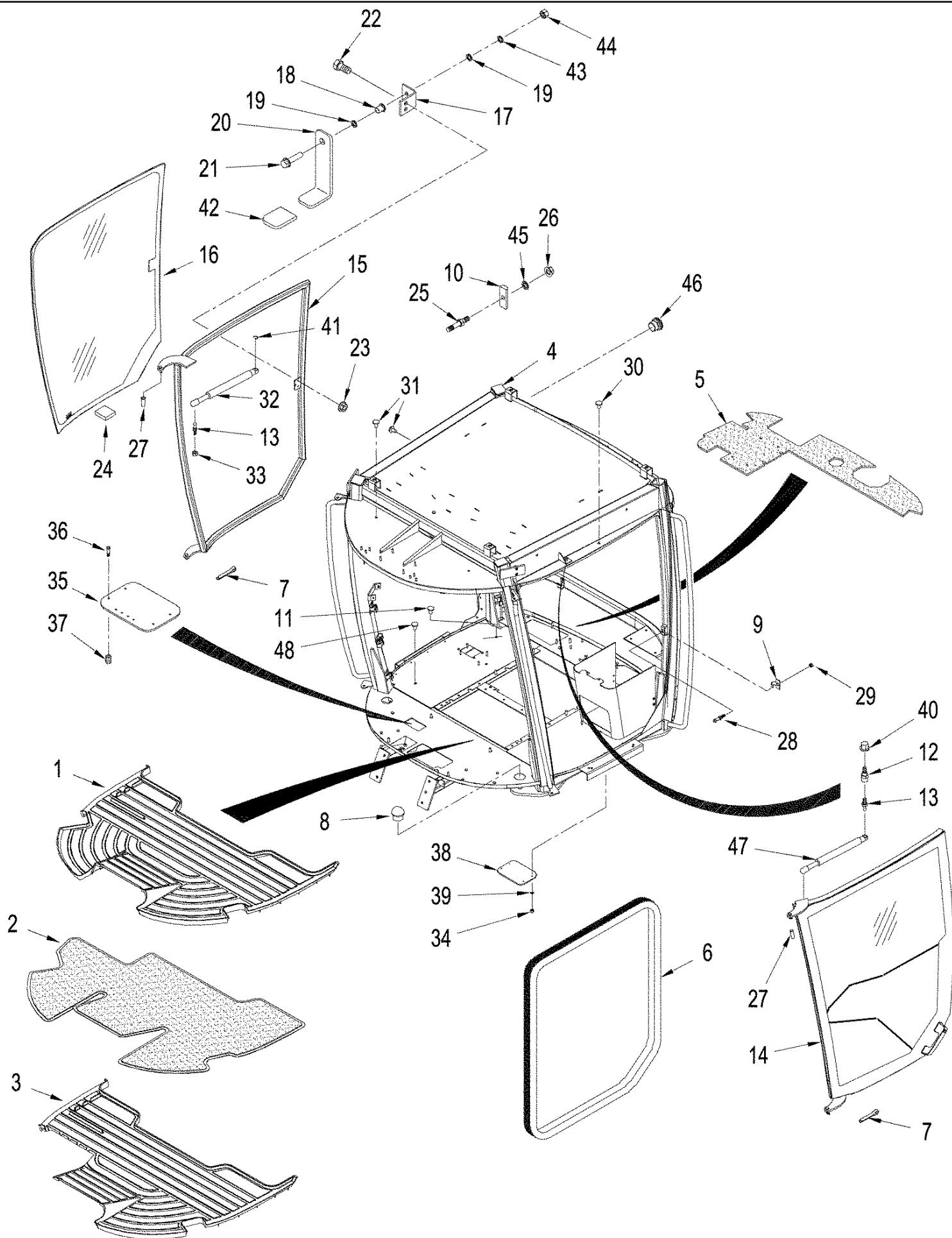
09-13 INTERIOR TRIM - DELUXE AND LUXURY CABS

Ref	Part Number	Qty	Description
1	394335A1	1	COVER, Post, Roll Over Protection
2	393376A1	1	COVER, Post, Roll Over Protection
3	394334A2	1	COVER, Post, Roll Over Protection
4	393374A1	1	COVER, Post, Roll Over Protection
5	394331A1	1	CONSOLE, Rear
6	394333A1	1	CONSOLE, Electronics
7	86500688	12	NUT, M6, CI 10,
8	86624181	8	WASHER, M6,
9	245918C1	2	CAP, Blank Slot
10	43233	4	BOLT, Hex, M8 x 20, 10.9,
11	291835A4	1	BRACKET, Cable Access
12	291836A3	1	BRACKET, Cable Access
13	259461A1	3	FOAM, Accustical, Cut From : 283086A1
14	394338A1	1	BEZEL, ROPs, RH A-Post
15	303158A5	1	SUPPORT, ROPS, RH A-Post
16	86525168	2	TUBE, No. 10 x 1
17	177269A1	2	NUT, Special
18	86505530	6	BOLT, Hex, M6 x 20, 10.9,
19	371685A4	1	BOX, Compact Disc, Deluxe Cab
20	119308A2	1	ASH TRAY, Storage
21	87608402	1	MAT, FLOOR, Rubber
22	376597A2	1	COVER, Circular Decal
23	376553A1	3	FASTENER,
24	86639271	3	BOLT, Hex Flg, M8 x 30, 10.9, Full Thd,
25	435490A1	4	FOAM, Cable Clamp
26	308579A1	2	BRACKET, Angle
27	114549A1	1	COAT HOOK,
28	86639121	2	SCREW, SELF TAPPING, Oval Hd, M4.2 x 16,
29	86624182	4	WASHER, M6 x 18 x 1.6,
30	1961435C1	1	LATCH,
31	86637656	2	RIVET, Pop, 1/8" x .337",
32	1977929C1	1	STUD, Ball
33	87408613	1	FILTER, CAB, Air Recirculation
34	87416388	1	INSULATOR BLOCK,
35	355371A2	1	TAPE, ADHESIVE,
36	356717A1	2	TAPE, ADHESIVE,
37	349366A2	1	FOAM,
38	356789A1	2	FASTENER, Velcro Hook, Cut From : 356788A1
39	357564A1	2	FASTENER, Velcro Loop, Cut From : 357653A1
40	369937A1	1	NET, Cargo
41	369929A1	5	FASTENER, Christmas Tree
42	307026A1	1	SHIELD, Cable Access
43	86624185	3	WASHER, M8 x 17.5 x 2, HT,
44	418506A1	1	SWITCH, Park Brake, Manual Shift Transmission
45	409808A1	1	INDICATOR, Hi / Lo, Manual Shift Transmission

TJ530 TRACTOR (1/06-) - Chassis/Attachments

09-13 INTERIOR TRIM - DELUXE AND LUXURY CABS

Ref	Part Number	Qty	Description
46	369719A1	1	BRACKET, Door, LH
47	371554A1	1	BRACKET, Door, RH
48	87452321	1	OUTLET, Power
49	227739A2	3	CONNECTOR, ELEC,
50	388813A1	2	OUTLET, Power



TJ530 TRACTOR (1/06-) - Chassis/Attachments

09-14 CAB - FLOORMATS AND DOORS

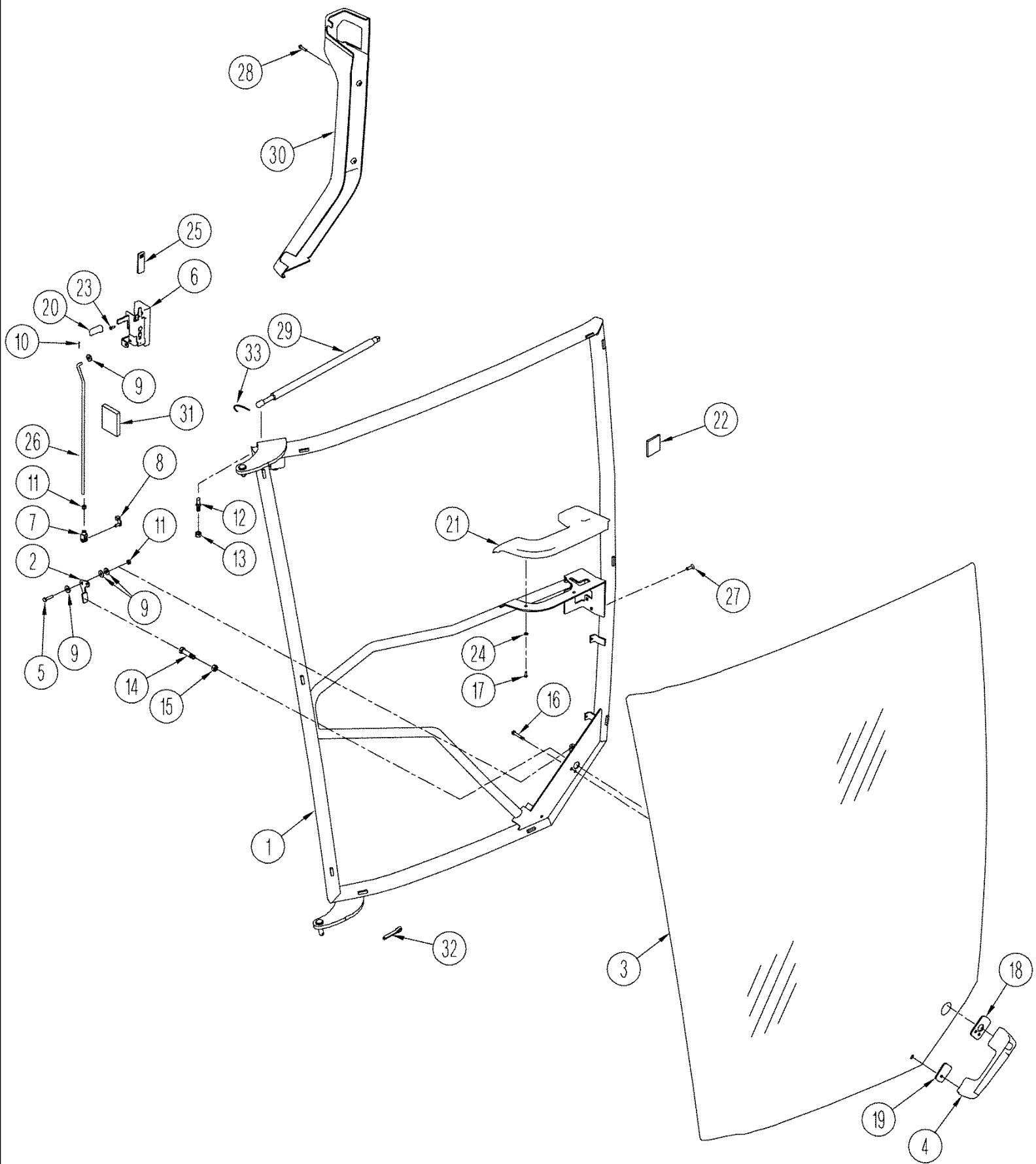
Ref	Part Number	Qty	Description
1	87561589	1	MAT, FLOOR, Rubber, Power Shift Transmission
2	87562811	1	MAT, FLOOR, Rubber, Manual Shift Transmission
3	87562812	1	CARPET,
4	87537334	1	FRAME, CAB, ROPS
4	87537336	1	FRAME, CAB, ROPS / FOPS
5	87537771	1	INSULATION, FOAM, Floor, Rear
6	390360A1	2	SEAL, Cut From : 388449A1
7	130003	2	PIN, SPLIT (COTTER), M3.2 x 20,
8	86637800	2	PLUG, 2-1/2" ID
9	369719A1	1	BRACKET, Door, Left-Hand
10	371554A1	1	BRACKET, Door, Right-Hand
11	86624181	8	WASHER, M6,
11	353-404	1	PLUG, Dome, .500" hole, Nylon, , Used without INTELLISTEER Option
12	442085A1	2	MOUNTING PARTS, Stud
13	3234063R1	2	BALL JOINT,
14	413022A2	1	DOOR ASSY., LH, See Figure: 09-15
	389175A3	1	WINDOW ASSY, RH, Inc. 13, 15, 16 - 23, 33 & 42 - 44
15	389176A1	1	FRAME, WINDOW, RH
16	181242A3	1	WINDOW, Glass
17	87420877	1	BRACKET, Latch
18	87422906	1	BUSHING, M6
19	87423414	2	WASHER, Nylon
20	87418389	1	LATCH ASSY., RH Door
21	9804256	2	BOLT, Hex Flg, M6 x 20, 8.8,
22	86639037	2	BOLT, Hex, M6 x 16, 10.9,
23	9804276	2	NUT, M6 x 1, Flg, CI 8,
24	87543673	10	SPACER,
25	87423532	1	PIN, Door Catch
26	86639244	1	NUT, Flange, M8
27	87429877	4	BUSHING,
28	R51754	1	CATCH, Striker
29	86637767	1	NUT, Flange, 7/16"
30	241637	1	PLUG, Dome, .625" hole, Nylon,
31	86639049	11	PLUG, 1/2"
32	87423389	1	DAMPER, Gas Spring
33	403749A1	1	NUT, M10; 10.9
34	43362	4	NUT, M8, CI 10,
35	414699A1	1	PLATE, Access, Without Manual Transmission
36	120100	2	BOLT, Hex, M6 x 20, 8.8, , Without Manual Transmission
37	404287A1	2	INSERT, , Without Manual Transmission
38	327310A1	1	PLATE, Cover
39	86624184	4	WASHER, M8 x 16 x 1.6,
40	86512498	2	NUT, M16 x 2, Flg, CI 10,
41	3233348R1	2	CLIP, Retainer, 13mm (1/2 in)
42	87423716	1	CAP, Vinyl

TJ530 TRACTOR (1/06-) - Chassis/Attachments

09-14 CAB - FLOORMATS AND DOORS

Ref	Part Number	Qty	Description
43	9824259	3	WASHER, M6 x 12 x 1.6,
44	86514335	1	NUT, LOCK, M6, CL8
45	86624185	1	WASHER, M8 x 17.5 x 2, HT,
46	86625130	1	PLUG, Dome, 1.250" hole, Nylon, , Used without INTELLISTEER Option
47	329720A1	1	CYLINDER, Gas Spring
48	353-403	3	PLUG, Dome, .437" hole, Nylon,

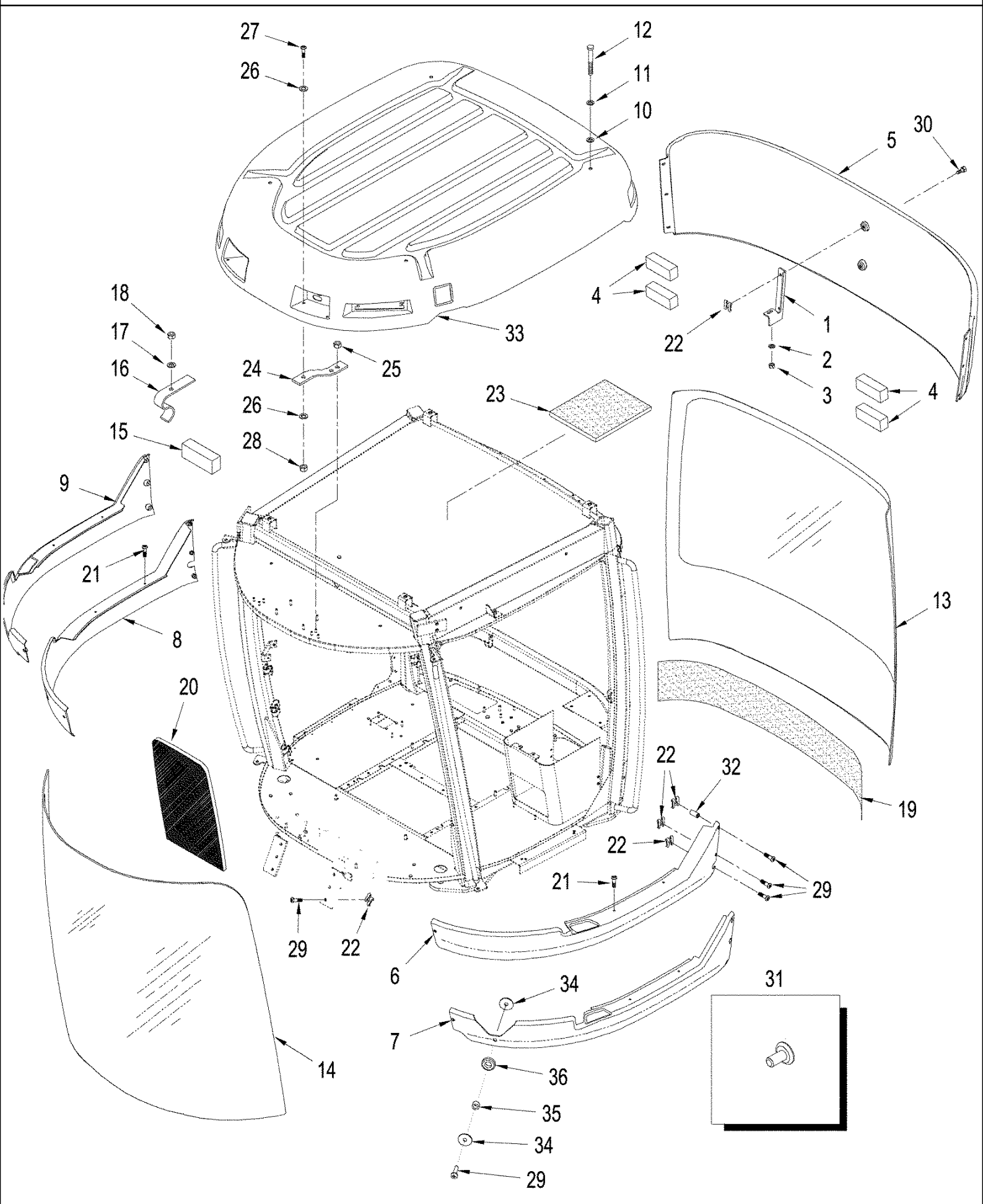
09-15 DOOR ASSY



TJ530 TRACTOR (1/06-) - Chassis/Attachments

09-15 DOOR ASSY

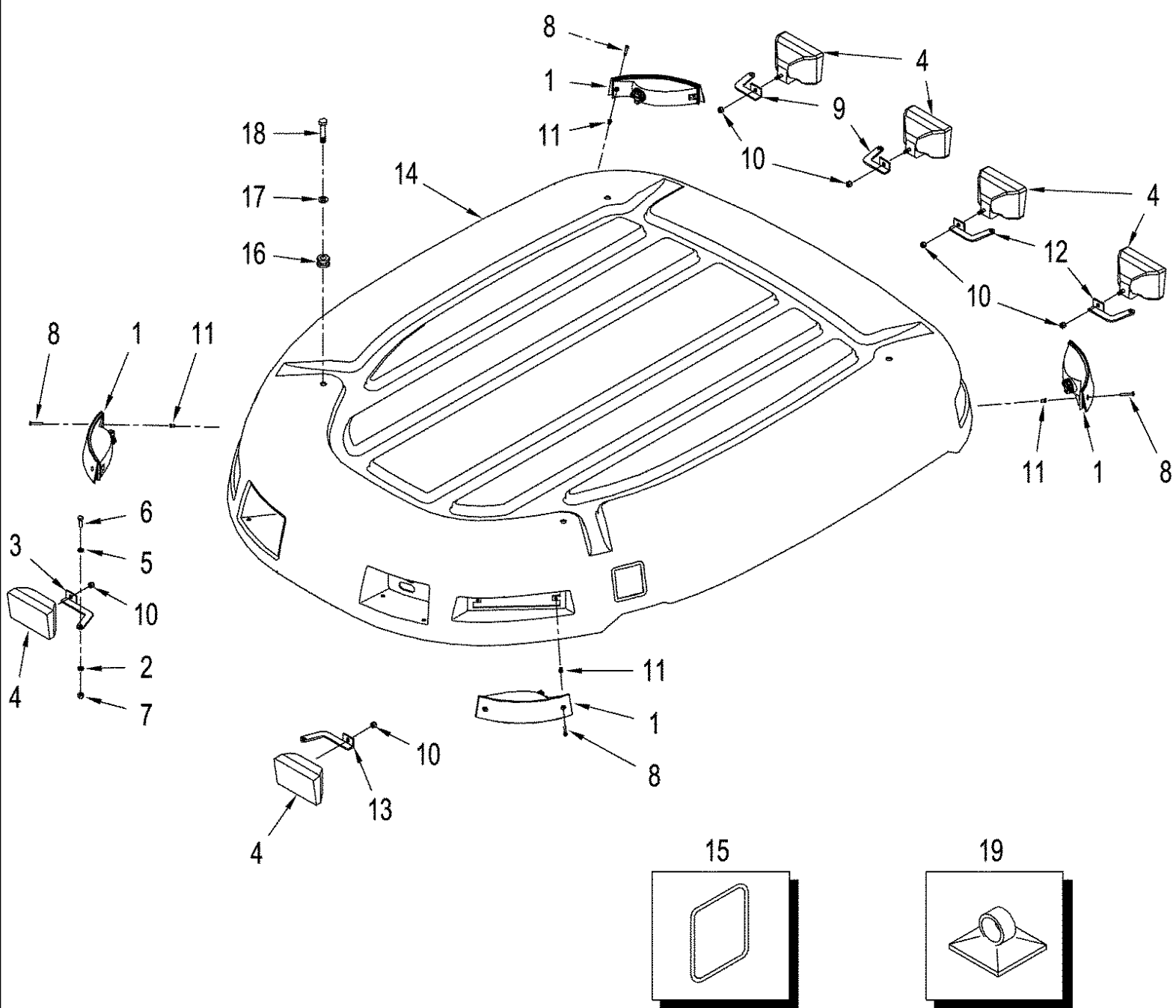
Ref	Part Number	Qty	Description
	413022A2	1	DOOR ASSY., LH, Inc. 1 - 27
1	388785A2	1	DOOR,
2	388934A1	1	LEVER, Door Latch
3	181239A4	1	WINDOW ASSY, Glass
4	435491A1	1	HANDLE, Door, Exterior
5	86977786	1	BOLT, Hex, M6 x 25, 8.8,
6	388874A2	1	LATCH, Door
7	86639101	1	CLEVIS, M6 x 12
8	906020R1	1	CLIP, M6 x 6
9	86624182	4	WASHER, M6 x 18 x 1.6,
10	86639114	1	PIN, SPLIT (COTTER), M1.6 x 10,
11	86500688	2	NUT, M6, CI 10,
12	3234063R1	1	BALL JOINT,
13	403749A1	1	NUT, M10; 10.9
14	86511933	1	SCREW, Cross Pan Hd, 1/4"-20 x 1 1/4",
15	7770	1	NUT, 1/4"-20, G5,
16	86639143	3	BOLT, Hex, Lock, M6 x 35, CI 10.9,
17	86639119	3	SCREW, SELF TAPPING, Pan Hd, M4.2 x 16,
18	194174A1	1	GASKET, Large, Door Handle
19	194175A1	1	GASKET, Small, Door Handle
20	388122A1	1	HANDLE, Door, Interior
21	388120A2	1	ARMREST,
22	87543673	10	SPACER,
23	86639117	1	SCREW, SELF TAPPING, Pan Hd, M4.2 x 16,
24	86639314	2	WASHER, M5 x 10 x 1,
25	352842A1	1	KNOB, Lock
26	388936A1	1	ROD,
27	88961	4	SCREW, Hex Soc Flat Hd, 1/4"-20 x 3/4",
28	86639119	2	SCREW, SELF TAPPING, Pan Hd, M4.2 x 16,
29	329720A1	1	CYLINDER, Gas Spring
30	397159A1	1	COVER, Door Latch, Interior
31	369566A1	1	TAPE, ADHESIVE,
32	130003	2	PIN, SPLIT (COTTER), M3.2 x 20,
33	3233348R1	2	CLIP, Retainer



TJ530 TRACTOR (1/06-) - Chassis/Attachments

09-16 CAB - SKIRTS AND GLASS

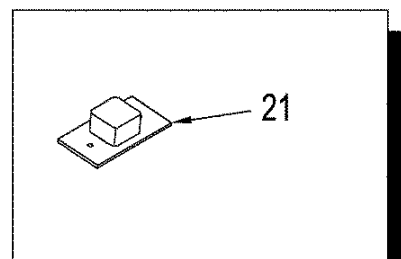
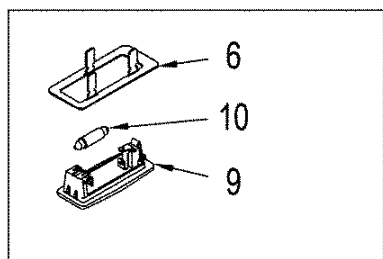
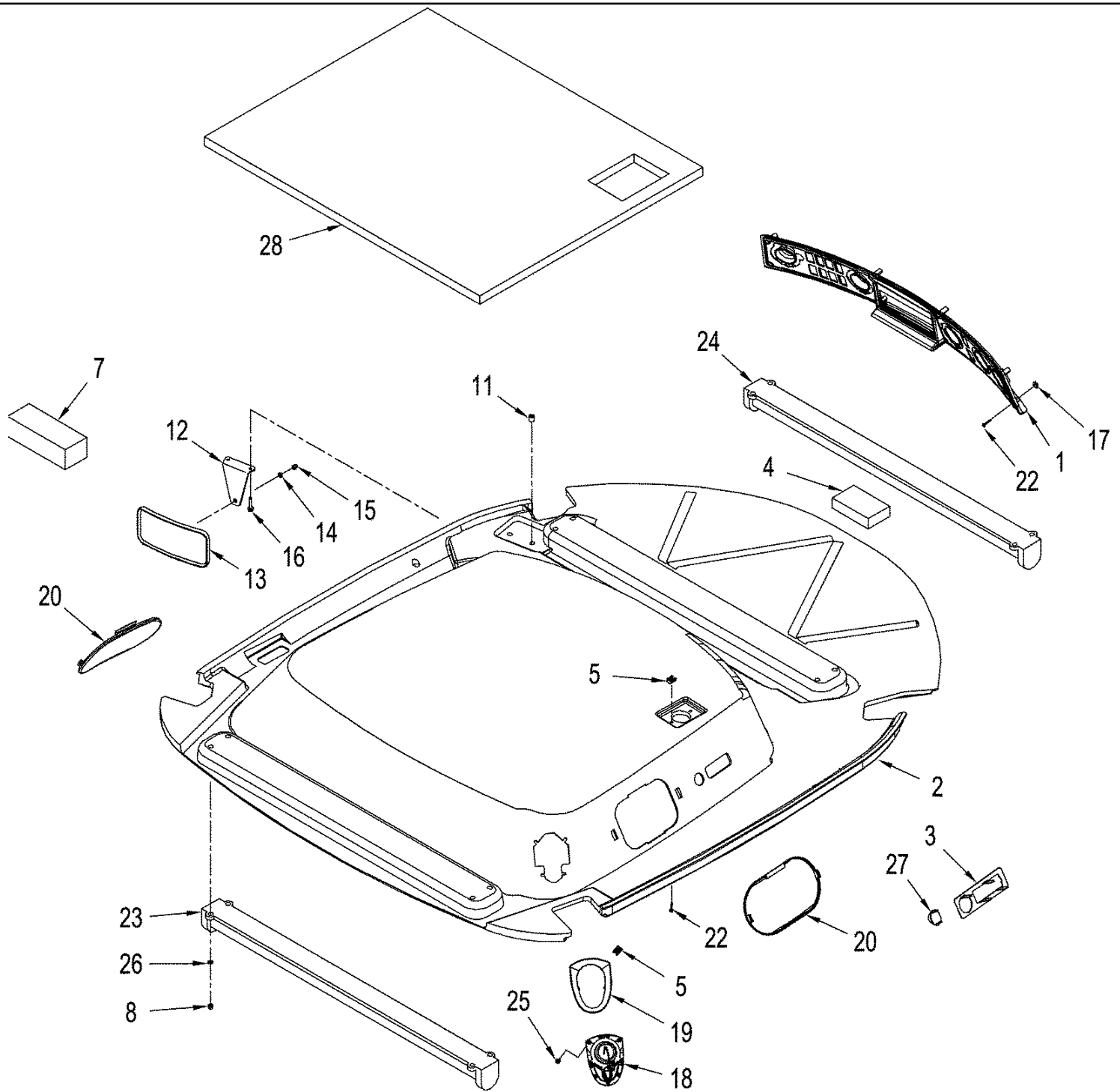
Ref	Part Number	Qty	Description
1	341574A4	1	BRACKET, Mounting, Rear Skirt
2	86624184	4	WASHER, M8 x 16 x 1.6,
3	43362	4	NUT, M8, CI 10,
4	443864A1	2	SPACER,
5	87535372	1	SKIRT, Rear
6	87358026	1	SKIRT, LH
7	87348261	1	COVER, SKIRT, LH, with Lower Front Wipers
8	87358025	1	COVER, SKIRT, RH
9	87348210	1	COVER, SKIRT, RH, with Lower Front Wipers
10	361191A1	4	GROMMET,
11	86639326	4	WASHER, M17.5 x 34 x 5, HT,
12	86529976	4	BOLT, Hex, M16 x 35, 10.9,
13	181240A2	1	GLASS, Rear
14	87436557	1	GLASS, TINTED, Windshield
14	87436560	1	GLASS, TINTED, Windshield, Laminated (Europe Only)
15	87543673	52	SPACER,
16	117707A3	7	CLAMP, Window
17	86624184	8	WASHER, M8 x 16 x 1.6,
18	43362	8	NUT, M8, CI 10,
19	259462A1	1	INSULATION, FOAM, 1525 mm (60")
20	87312395	1	INSULATION, FOAM, Steering Console
21	86585703	4	SCREW, Cross Pan Hd, M8 x 20,
22	404882A1	4	FASTENER, Spring
23	355716A3	1	FOAM, Accoustical, Cab Roof
24	364156A1	4	BRACKET, Roof Support
25	43362	8	NUT, M8, CI 10,
26	86625263	8	WASHER, M8 x 20 x 1.6,
27	43234	4	BOLT, Hex, M8 x 25, 10.9,
28	86528579	4	NUT, LOCK, M8 x 1.25, CI 10,
30	86511830	2	SCREW, Cross Pan Hd, M6 x 20,
29	86511831	10	SCREW, Cross Pan Hd, M6 x 25,
32	404287A1	4	INSERT, Threaded ,M6 x 1
31	241637	1	PLUG, Dome, .625" hole, Nylon, , Without Flex Control
33	NSS	1	NOT SERVICED SEPARATELY, Roof Assy, See Figure: 09-17
34	895-15006	4	WASHER, M6 x 25 x 1.6,
35	60-5021T1	2	SPACER,
36	60-6840T1	2	GROMMET,



TJ530 TRACTOR (1/06-) - Chassis/Attachments

09-17 ROOF

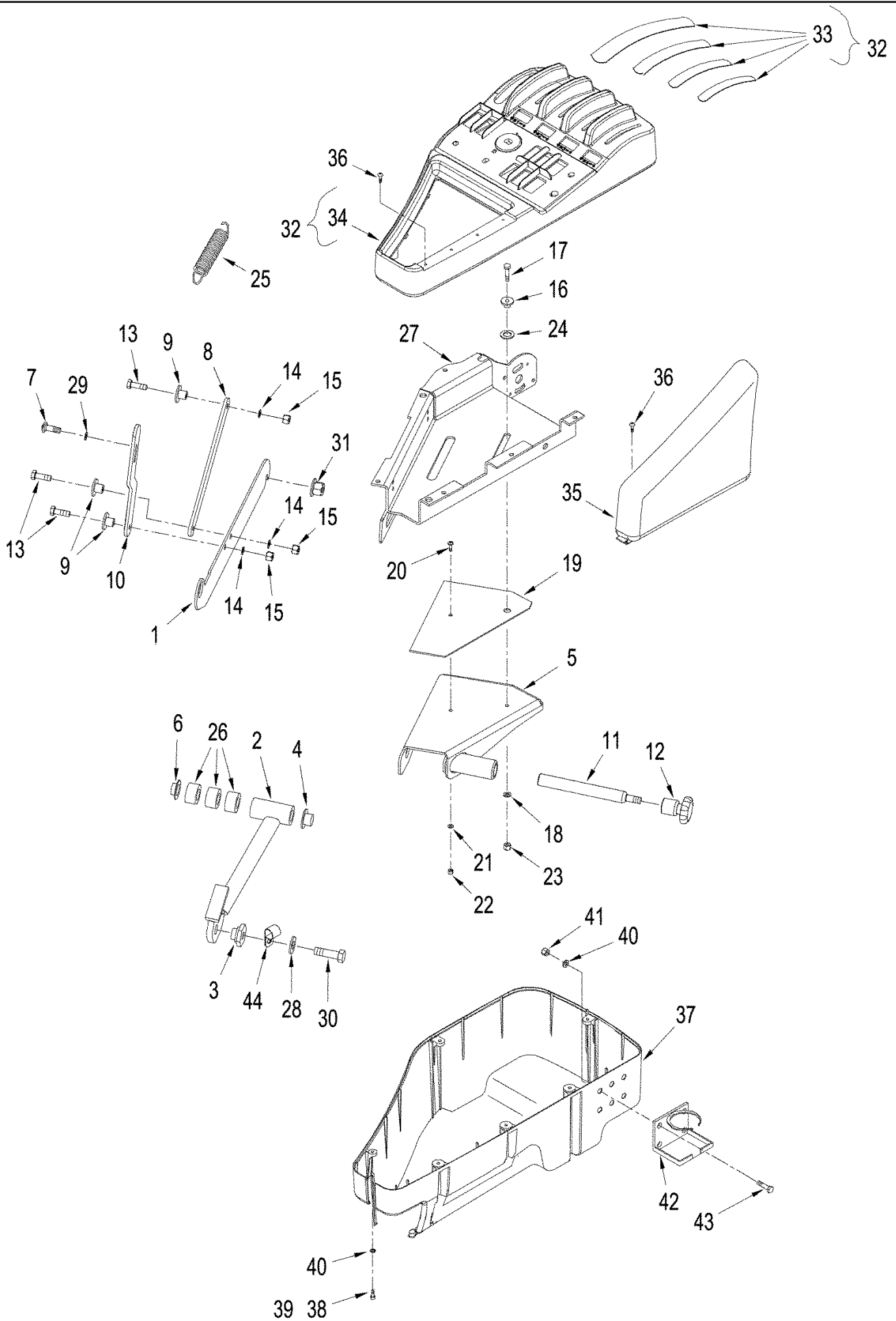
Ref	Part Number	Qty	Description
1	320246A1	4	LAMP, Warning, Hazard, See Figure: 04-24
2	355532A1	6	WASHER, Nylon
3	353561A1	1	BRACKET, Lamp Mounting, RH, Front
4	92269C1	6	LAMP, WORK, See Figure: 04-24
5	86639309	12	WASHER, M8 x 16 x 1.6,
6	43234	6	BOLT, Hex, M8 x 25, 10.9,
7	86528579	6	NUT, LOCK, M8 x 1.25, CI 10,
8	86546084	8	SCREW, Cross Pan Hd, M5 x 35,
9	353563A1	2	BRACKET, Lamp Mounting, RH, Rear
10	86500689	6	NUT, M10, CI 10,
11	451165A1	8	INSERT, THREADED,
12	353562A1	2	BRACKET, Lamp Mounting, LH, Rear
13	353560A1	1	BRACKET, Lamp Mounting, LH, Front
14	87394824	1	ROOF,
15	408658A1	2	DECAL, Circular, Without Mirror
16	361191A1	4	GROMMET,
17	86639311	4	WASHER, M16 x 34 x 3,
18	86529976	4	BOLT, Hex, M16 x 35, 10.9,
19	435436A1	7	MOUNT, RUBBER, Cable Tie



TJ530 TRACTOR (1/06-) - Chassis/Attachments

09-18 CAB - HEADLINER AND CONTROL PANEL

Ref	Part Number	Qty	Description
1	87453142	1	PANEL, Control
	393319A1	1	PANEL, Headliner Assy., Inc. 2 - 5
2	NSS	1	NOT SERVICED SEPARATELY, Headliner
3	393383A1	1	BRACKET, Domelight
4	328039A1	3	PAD, No. 6 x 5/8"
5	302862A1	6	NUT, Special
6	393384A1	2	BRACKET, Domelight
7	328037A1	1	PAD, 9 x 20 x 1.6 mm
8	86639246	8	NUT, Crown, M6, Cl8,
9	1983391C1	3	LAMP, Interior, Inc. 10
10	E35556	1	BULB,
11	435438A1	2	SPACER,
12	435493A1	1	BRACKET, Mounting, Rearview Mirror
13	A177462	1	MIRROR, Rearview, Inc. 14, 15
14	85700573	1	WASHER, LOCK, Ext Tooth, M6,
15	86642419	1	PIN, LOCK, 1/4" NF
16	86639023	2	BOLT, Hex Flg, M6 x 30, 10.9,
17	177269A1	8	NUT, Special
18	372892A1	1	LAMP, Map
19	280569A2	1	BEZEL, Map Lamp
20	400111A1	2	COVER, Speaker
21	83882C91	1	LAMP,
22	1270741C1	10	SCREW, SELF TAPPING, Cross Pan Hd, #8 x 1", Pointed
23	87450400	1	VISOR, SUN, Rear
24	87450399	1	VISOR, SUN, Front
25	86637783	4	SCREW, SELF TAPPING, Cross Pan Hd, #6 x 5/8",
26	297865A1	8	WASHER, 9 x 20 x 1.6 mm
27	280628A1	1	PLUG, Switch, Without Mirror
28	384759A1	1	FOAM, Accustical, Roof



TJ530 TRACTOR (1/06-) - Chassis/Attachments

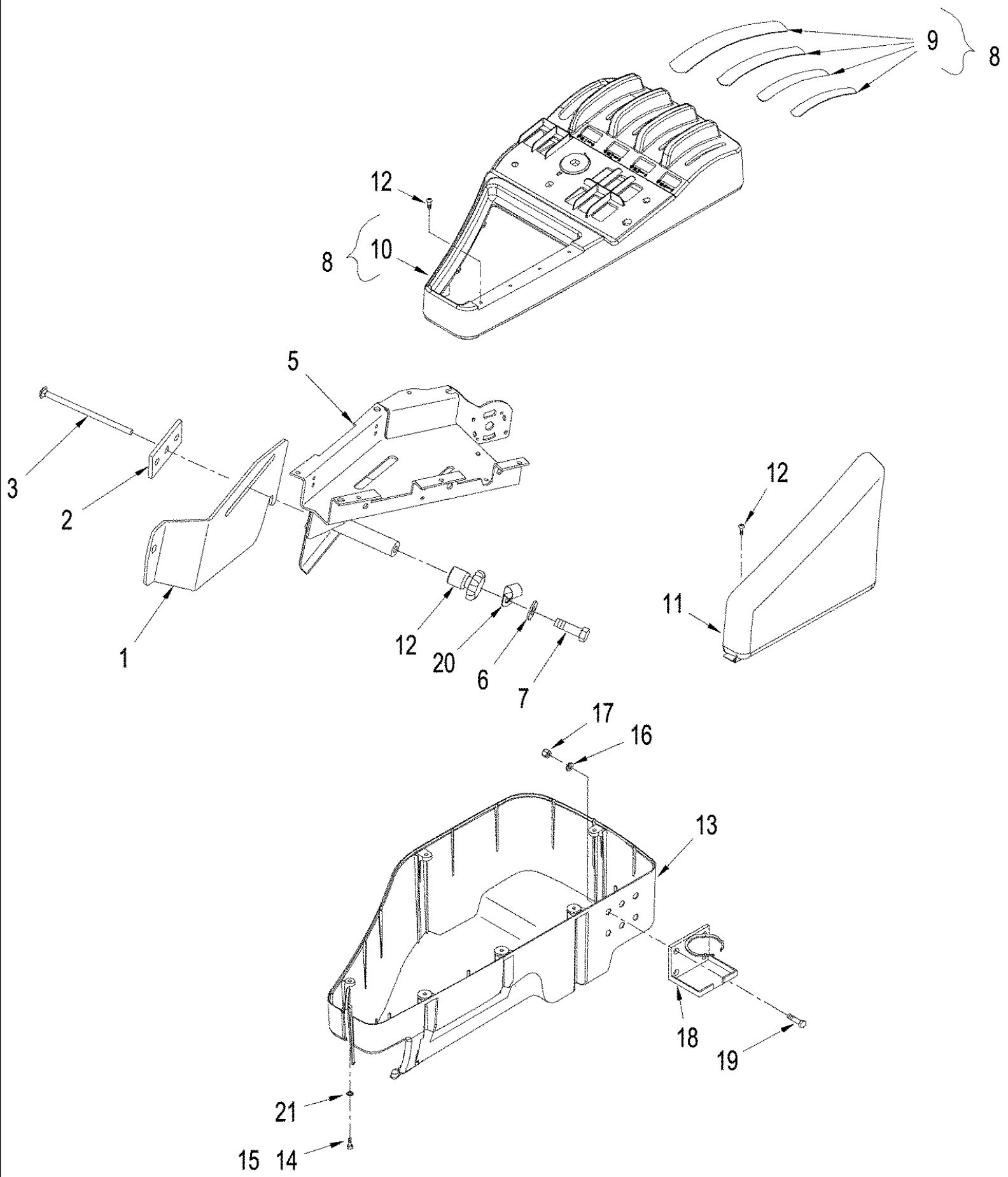
09-20 CONSOLE - RIGHT HAND ARMREST, ELECTRIC, BSN Z7F202358

Ref	Part Number	Qty	Description
	87519426	1	SUPPORT, Electronic, Inc. 1 - 27
1	NSS	1	NOT SERVICED SEPARATELY, Plate
2	NSS	1	NOT SERVICED SEPARATELY, Support
3	222292A1	1	NUT, Special
4	185062R1	1	BUSHING,
5	NSS	1	NOT SERVICED SEPARATELY, Support, Lower
6	294296A1	1	BUSHING,
7	355343A1	1	BOLT, Special
8	NSS	1	NOT SERVICED SEPARATELY, Link
9	NSS	3	NOT SERVICED SEPARATELY, Washer, Shoulder
10	355342A1	1	BRACKET, Support
11	355344A1	1	BOLT, Special
12	319870A1	1	KNOB,
13	43234	3	BOLT, Hex, M8 x 25, 10.9,
14	86625263	3	WASHER, M8 x 20 x 1.6,
15	86528579	3	NUT, LOCK, M8 x 1.25, CI 10,
16	277582A1	2	WASHER, Special
17	86639041	2	BOLT, Hex, M6 x 25, 10.9, Full Thd,
18	86624181	2	WASHER, M6,
19	277576A1	1	SPACER,
20	86639261	1	SCREW, Cross Pan Hd, M4 x 14,
21	86624179	1	WASHER, M4,
22	86625075	1	NUT, LOCK, M4 x .7, CI 8,
23	412250	2	NUT, LOCK, M8 x 1.25, CI 8,
24	277570A1	2	WASHER, Special
25	NSS	1	NOT SERVICED SEPARATELY, Spring
26	294295A1	3	BUSHING,
27	NSS	1	NOT SERVICED SEPARATELY, Support, Upper
28	86625254	1	WASHER, M12 x 28 x 2.5,
29	355345A1	1	WASHER, Ribbed
30	86639031	1	BOLT, Hex, M12 x 45, 10.9, Full Thd,
31	9804277	1	NUT, M8 x 1.25, Flg, CI 8,
32	87314389	1	CONSOLE, Armrest, Upper, w/ Decals, Inc. 33 & 34
33	410518A1	1	DECAL, Throttle and EH Levers
34	87314390	1	COVER, Upper Armrest
35	277204A2	1	CUSHION,
36	86639117	4	SCREW, SELF TAPPING, Pan Hd, M4.2 x 16,
37	405227A1	1	HOUSING, Lower Armrest, Without Flex Control
37	87339622	1	HOUSING, Lower Armrest, With Flex Control
38	86639294	6	SCREW, Hex Soc Hd, M4 x 20, 8.8, , With Flex Control
39	86624126	6	SCREW, Hex Soc Hd, M4 x 16, 8.8, , Without Flex Control
40	86624179	16	WASHER, M4,
41	100012	4	NUT, M4, CI 8,
42	331649A1	1	HOLDER, Cup
43	44334	4	SCREW, Cross Pan Hd, M4 x 12,

TJ530 TRACTOR (1/06-) - Chassis/Attachments

09-20 CONSOLE - RIGHT HAND ARMREST, ELECTRIC, BSN Z7F202358

Ref	Part Number	Qty	Description
44	86598598	1	CLAMP, 3/4", Insul, 1/2" Bolt,

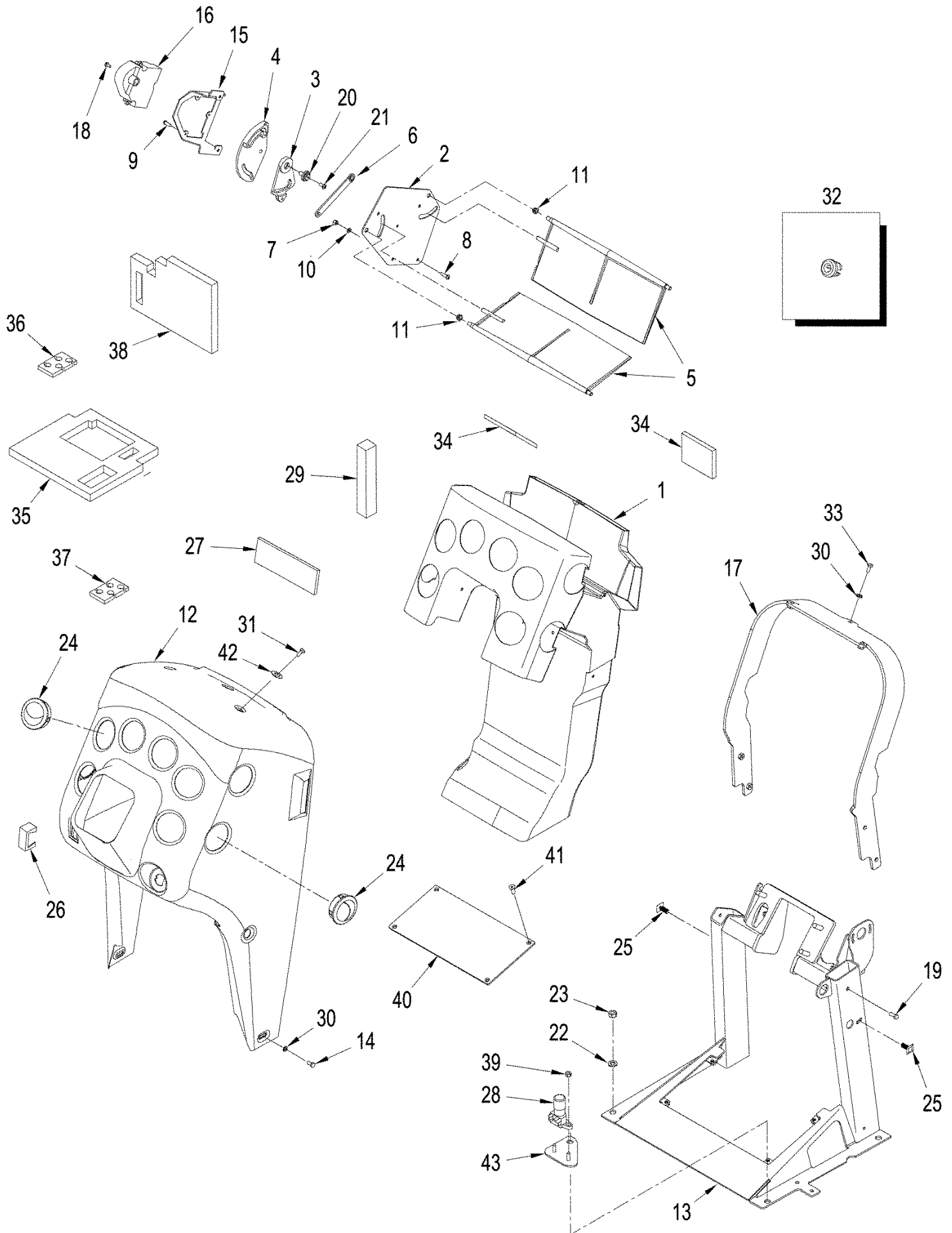


TJ530 TRACTOR (1/06-) - Chassis/Attachments

09-20(01) CONSOLE - RIGHT HAND ARMREST, ELECTRIC, ASN Z7F202358

Ref	Part Number	Qty	Description
	87566268	1	Electronic, Inc. 1 - 5
1	87604589	1	BRACKET, Plate
2	87604590	1	PLATE, Support
3	87578954	1	BOLT,
4	87566581	1	KNOB,
5	NSS	1	NOT SERVICED SEPARATELY, Support, Upper
6	895-15010	1	WASHER, M11 x 24 x 2,
7	627-10020	1	BOLT, Hex, M10 x 20, 10.9, Full Thd,
8	87314389	1	CONSOLE, Armrest, Upper, w/ Decals, Inc. 9 & 10
9	410518A1	1	DECAL, Throttle and EH Levers
10	87314390	1	COVER, Upper Armrest
11	277204A2	1	CUSHION,
12	86639117	4	SCREW, SELF TAPPING, Pan Hd, M4.2 x 16,
13	405227A1	1	HOUSING, Lower Armrest, Without Flex Control
13	87339622	1	HOUSING, Lower Armrest, With Flex Control
14	86639294	6	SCREW, Hex Soc Hd, M4 x 20, 8.8, , With Flex Control
15	86624126	6	SCREW, Hex Soc Hd, M4 x 16, 8.8, , Without Flex Control
16	86624179	16	WASHER, M4,
17	100012	4	NUT, M4, CI 8,
18	331649A1	1	HOLDER, Cup
19	44334	4	SCREW, Cross Pan Hd, M4 x 12,
20	86598598	1	CLAMP, 3/4", Insul, 1/2" Bolt,
21	893-11004	6	WASHER, LOCK, Ext Tooth, M4,

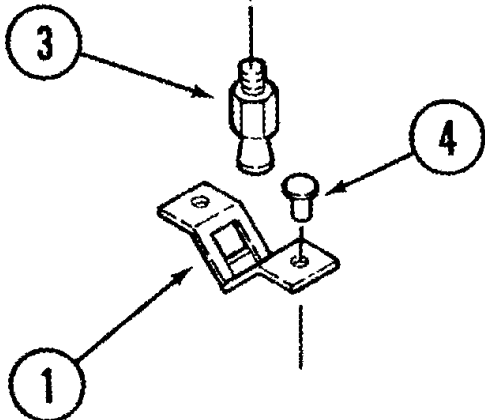
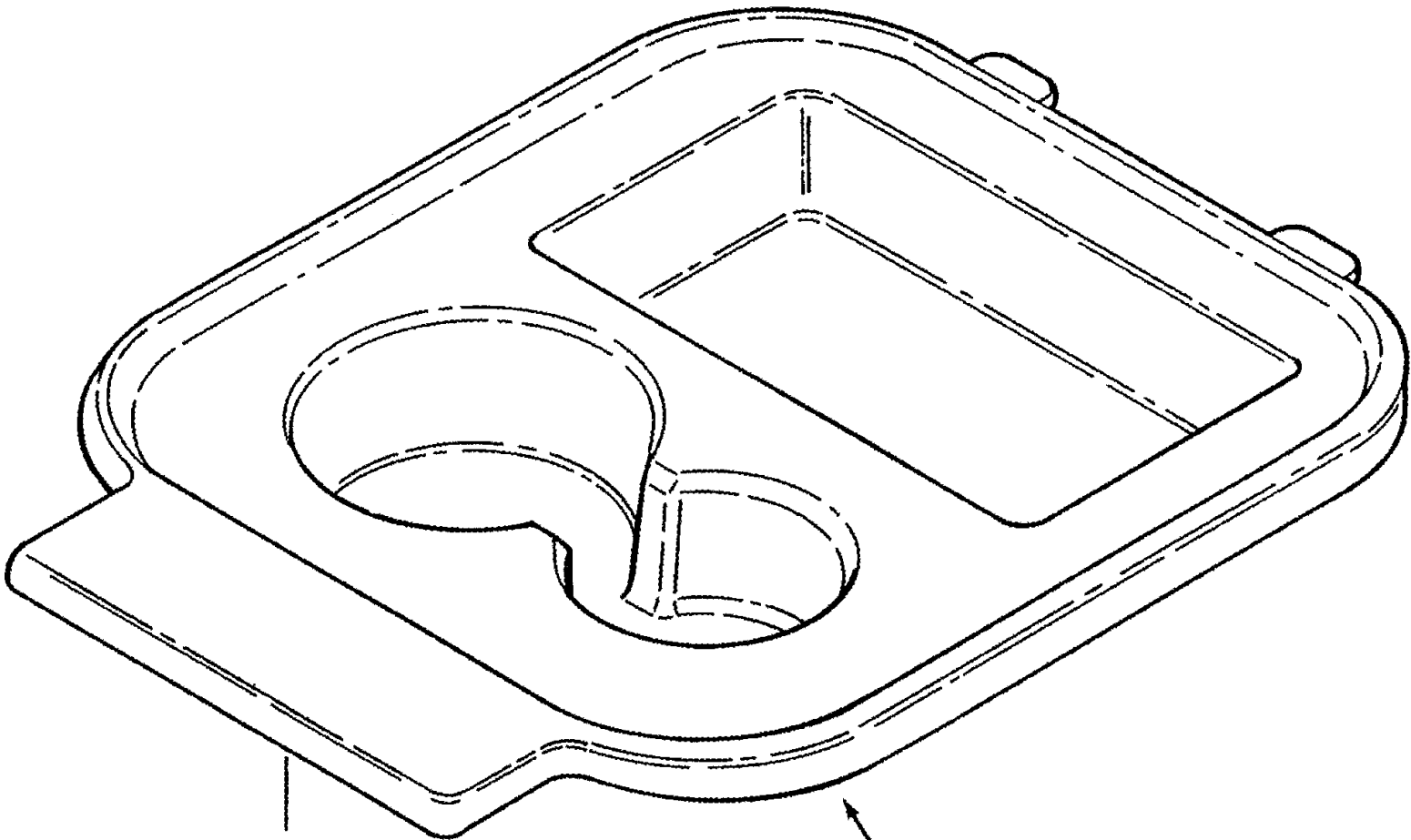
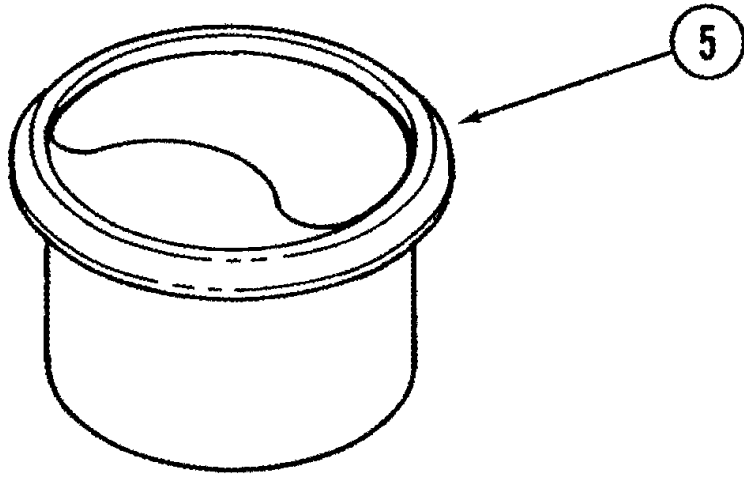
09-21 FRONT CONSOLE



TJ530 TRACTOR (1/06-) - Chassis/Attachments

09-21 FRONT CONSOLE

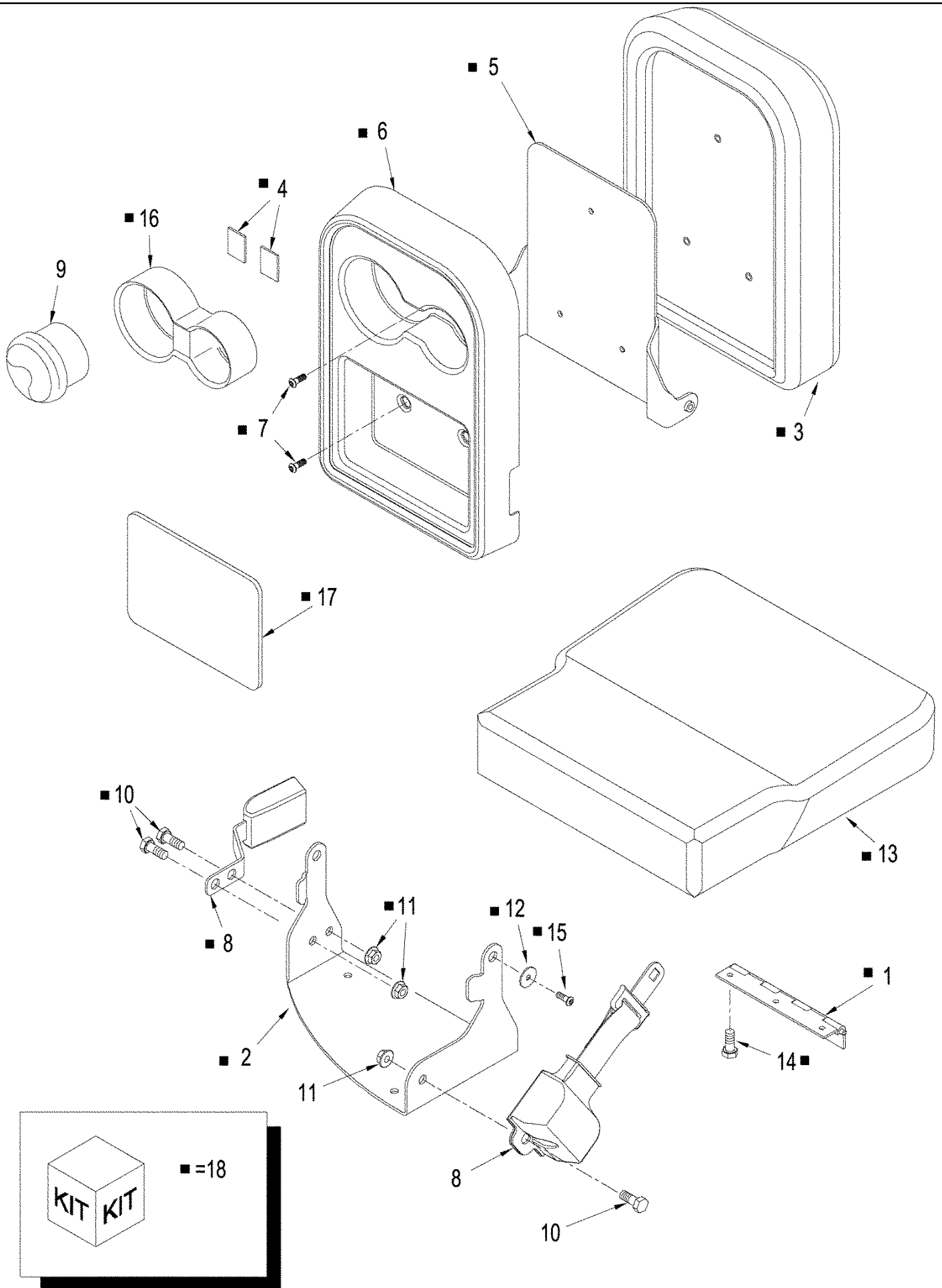
Ref	Part Number	Qty	Description
1	87438118	1	VENT, Air Conditioning and Heating
2	257059A2	1	PLATE, Support
3	281138A2	1	GUIDE, Plate
4	281139A1	1	GUIDE, Plate
5	246476A1	2	VENT, Air Plenum
6	275601A1	1	LINK,
7	86625075	1	NUT, LOCK, M4 x .7, CI 8,
8	86511042	1	SCREW, Cross Pan Hd, M4 x 16,
9	86511823	3	SCREW, Cross Pan Hd, M4 x 8,
10	86624179	1	WASHER, M4,
11	435474A1	3	BEARING, NYLON,
12	414161A2	1	CONSOLE, Front
13	87517381	1	STEERING ASSY, Support
14	86508616	2	BOLT, Hex, M6 x 12, 10.9,
15	277438A1	1	SUPPORT, Bracket
16	275602A1	1	ACTUATOR, Motor
17	280566A1	1	SUPPORT, Front Console
18	86639117	3	SCREW, SELF TAPPING, Pan Hd, M4.2 x 16,
19	86639037	4	BOLT, Hex, M6 x 16, 10.9,
20	281140A1	1	WASHER, Shoulder
21	86585706	1	SCREW, Cross Pan Hd, M4 x 10,
22	895-11010	4	WASHER, M10 x 20 x 2,
23	86500689	4	NUT, M10, CI 10,
24	414350A1	10	VENT, Small
25	301098A1	2	CLIP, Snap-In
26	86000535	1	PLUG, 1.427" x .62", Plastic, Switch, Without Ether Start
27	356717A1	1	TAPE, ADHESIVE,
28	87340325	1	SWITCH, Decleration
29	384786A2	2	FOAM, , Deluxe Cab
30	895-11006	2	WASHER, M6,
31	436276A1	3	SCREW, Button Hd
32	A67295	1	PLUG, Control Cable
33	436276A1	3	SCREW, M6
34	446687A1	2	FOAM, Louver Dampner
35	87437453	1	FOAM, Accoustical
36	87437455	1	FOAM, Accoustical
37	87437454	1	DECAL, Floor Sealing
38	87442532	1	SEAL,
39	829-1406	2	NUT, M6, CI 10,
40	87433404	1	PLATE, Access
41	843-1616	4	SCREW, Hex Flat Hd, M6 x 16, 4.8,
42	195-81023	3	WASHER, #12,
43	87561659	1	PLATE, MOUNTING, Decel Switch



TJ530 TRACTOR (1/06-) - Chassis/Attachments

09-22 SEAT - NON-INSTRUCTIONAL

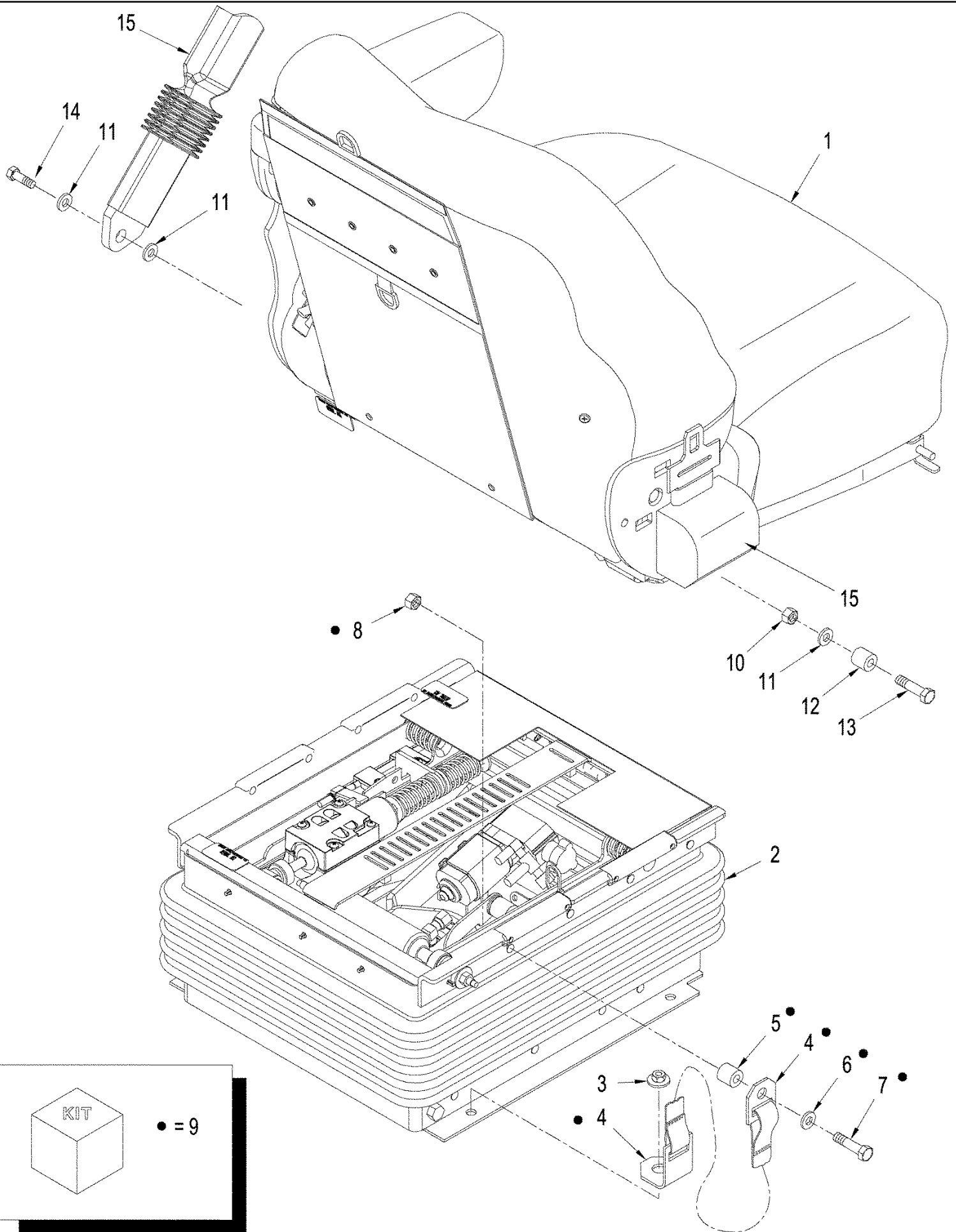
Ref	Part Number	Qty	Description
1	1961435C1	1	LATCH, Non-Instructional Seat
2	402710A1	1	TRAY, Storage, Non-Instructional Seat
3	1977929C1	1	STUD, Ball
4	86637656	2	RIVET, Pop, 1/8" x .337",
5	302456A1	1	ASH TRAY, If Used



TJ530 TRACTOR (1/06-) - Chassis/Attachments

09-23 SEAT - INSTRUCTIONAL

Ref	Part Number	Qty	Description
1	365674A1	1	HINGE, Instructional Seat
2	249707A2	1	BRACKET, Mounting, Instructional Seat
3	87439262	1	CUSHION, Backrest, Cloth
3	86984296	1	CUSHION, SEAT, Backrest, Leather
4	406682A1	2	FASTENER,
5	252928A2	1	BRACKET, Mounting, Seat Back
6	395132A1	1	TRAY, Storage
7	86511931	3	SCREW, Cross Pan Hd, 1/4"-20 x 5/8",
8	281926A2	1	BELT, Seat
9	302456A1	3	ASH TRAY, If Used
10	9846677	3	BOLT, Hex, M10 x 25, 10.9, Full Thd,
11	9804278	3	NUT, M10 x 1.5, Flg, Cl 8,
12	86624183	2	WASHER, M6 x 25 x 1.6,
13	86990053	1	CUSHION, Seat, Cloth
13	86984293	1	CUSHION, SEAT, Leather
14	281032	3	BOLT, Hex, 1/4"-20 x 3/4", G8, Full Thd,
15	906051R1	2	SCREW, Hex Soc But Hd, M6 x 1 x 10, 12.9,
16	369635A2	1	HOLDER, Cup Holder
17	394828A1	1	PLATE, Tray Liner
18	719528013	1	KIT, Instructional Seat, Cloth

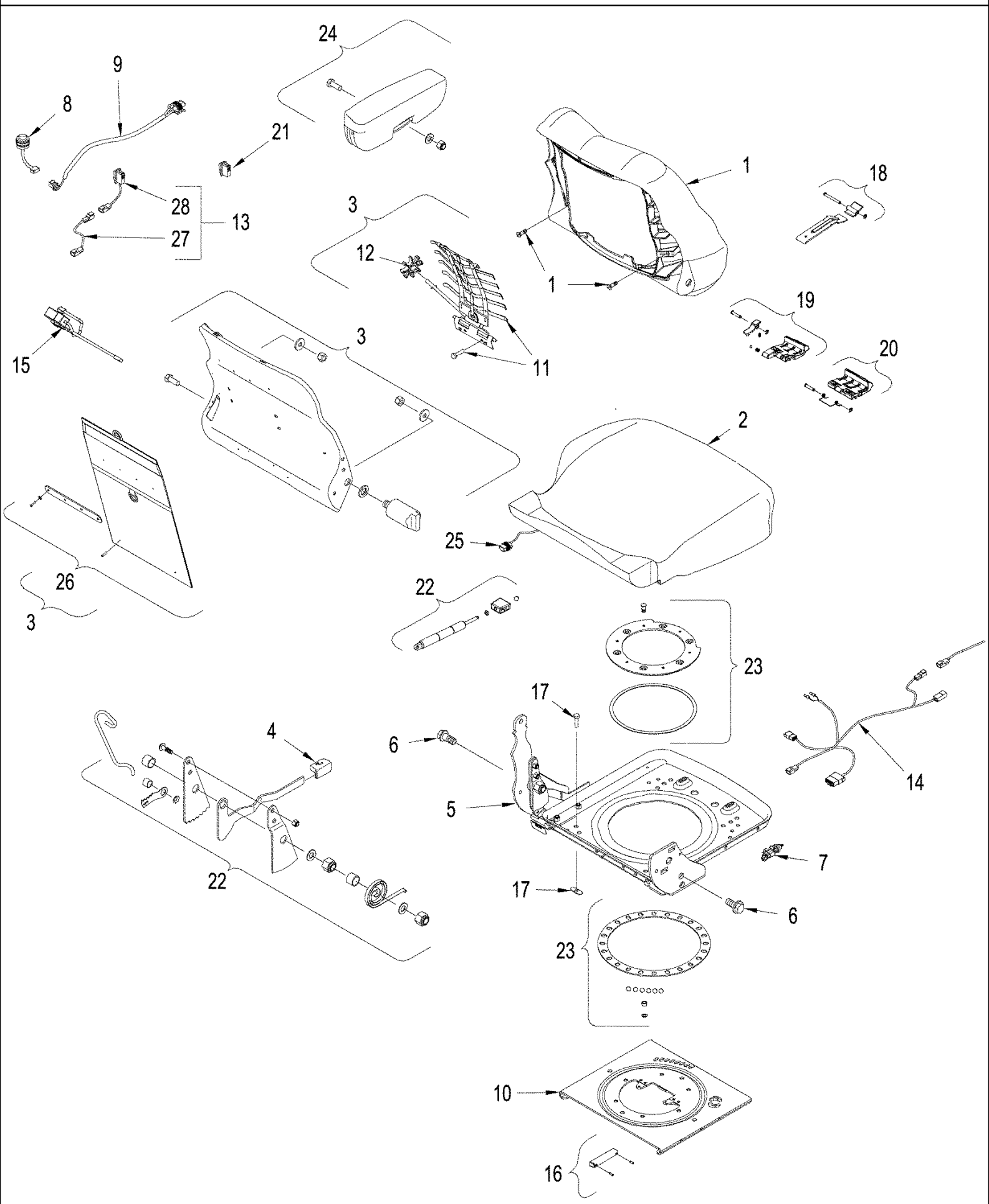


TJ530 TRACTOR (1/06-) - Chassis/Attachments

09-24 SEAT - OPERATORS

Ref	Part Number	Qty	Description
1	87553809	1	SEAT ASSY., Cloth, without Heat, See Figure: 09-25
1	87553811	1	SEAT ASSY., Cloth, Heated, See Figure: 09-25
1	87553441	1	SEAT ASSY., Cloth, Heated, Semi-Active, See Figure: 09-25
1	87553443	1	SEAT ASSY., Leather, Heated, Semi-Active, See Figure: 09-25
2	87395380	1	SUSPENSION, Suspension, See Figure: 09-26
2	87395381	1	SUSPENSION, Suspension, Semi-Active, See Figure: 09-27
3	9804277	4	NUT, M8 x 1.25, Flg, CI 8, , Used on Scrapper Models
4	389277A1	2	BELT, Saftey, Tether, Used on Scrapper Models
5	NSS	2	NOT SERVICED SEPARATELY, Spacer, Used on Scrapper Models
6	87039401	2	WASHER, 13/32" x 13/16" x .134", HDN,
7	86575418	2	BOLT, Hex, 3/8"-16 x 2 1/4", G8,
8	87039402	2	NUT, LOCK, 3/8"-16, GB,
9	87431487	1	KIT, FIP, Tether Belt, Used on Scrapper Models
10	337475	1	NUT, M12, CI 10,
11	86625255	3	WASHER, M13.5 x 24.5 x 3, HT,
12	87313413	1	TUBE SPACER, Steel, .875" x .5"
13	87015314	1	BOLT, Hex, Lock, M12 x 40, CI 10.9,
14	806-12030	1	BOLT, Hex, Lock, M12 x 30, CI 10.9,
15	444877A1	1	SEAT BELT,

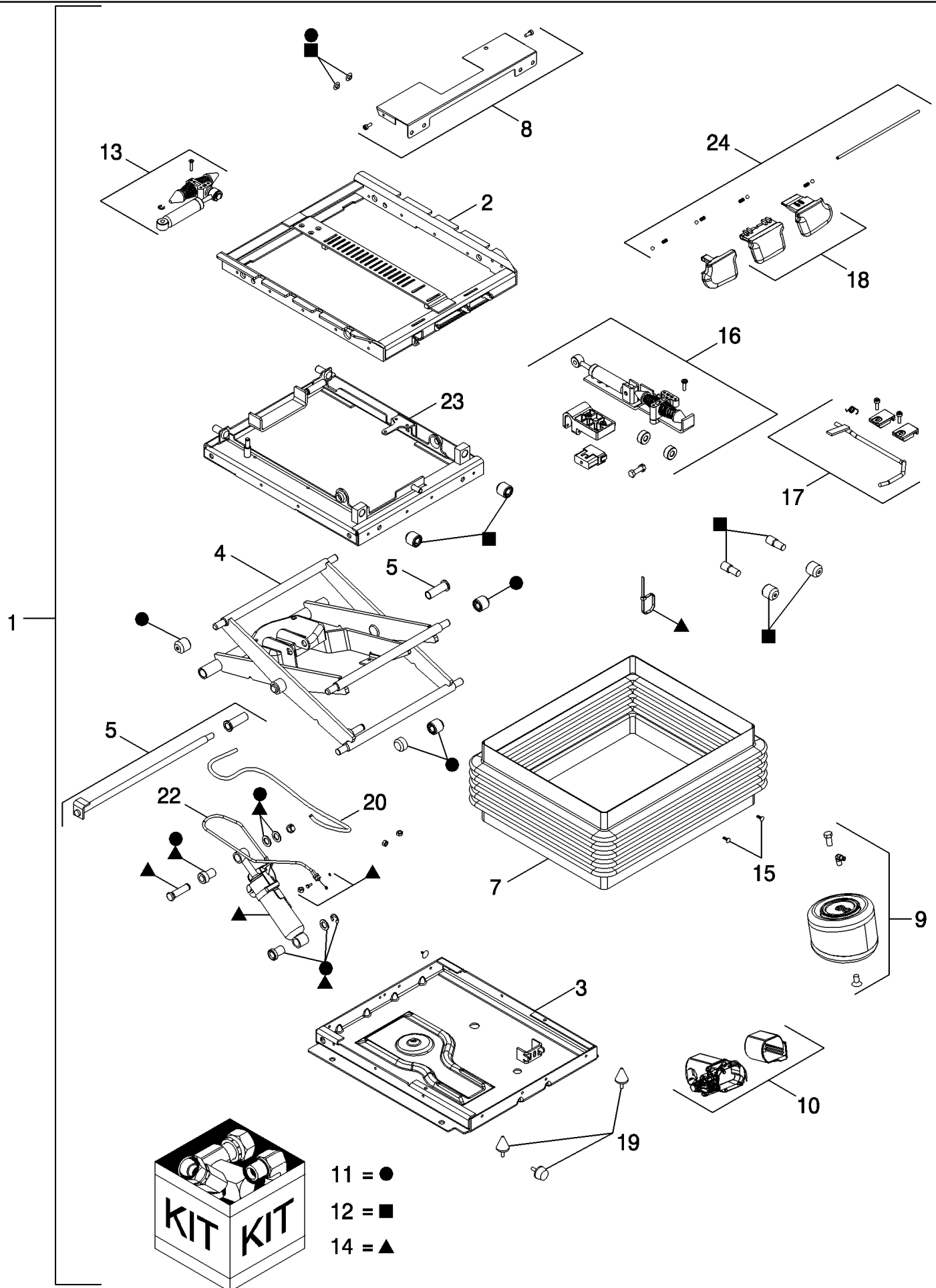
09-25 SEAT - CUSHION ASSEMBLY



TJ530 TRACTOR (1/06-) - Chassis/Attachments

09-25 SEAT - CUSHION ASSEMBLY

Ref	Part Number	Qty	Description
	87553809	1	SEAT ASSY., Cloth, without Heat, Inc. 1 - 7, 10 - 12, 16 - 24
	87553811	1	SEAT ASSY., Cloth, Heated, Inc. 1 - 24
	87553441	1	SEAT ASSY., Cloth, Heated, Inc. 1 - 24
	87553443	1	SEAT ASSY., Leather, Heated, Inc. 1 - 24
1	86994150	1	SEAT ASSY., Backrest, Cloth, without Heat
1	87395383	1	CUSHION, Backrest, Cloth, Heated
1	87397612	1	CUSHION, Leather, Heated
2	87347890	1	SEAT, BACK, Cloth, Without Heat
2	87395382	1	CUSHION, SEAT, Cloth, Heated
2	87397611	1	CUSHION, Leather, Heated
3	86994155	1	ASSEMBLY, Seat Back, with Lumber & Pouch
4	87416475	1	KNOB, Recline Control
5	NSS	1	NOT SERVICED SEPARATELY, Pan, Seat
6	86512499	1	NUT, M20 x 2.5, Flg, CI 10,
7	87300397	1	SWITCH, Seat, Air Control
8	87395388	1	SWITCH, Heater, Round Rocker
9	87395390	1	HARNESS, Heater, Center Section
10	87347956	1	KIT, SERVICE, Swivel
11	87308130	1	SEAT BACK ADJUST. DEVICE, Lumbar, Inc. 12
12	87037462	1	SEAT BACK ADJUST. DEVICE, Lumbar Knob
13	87347958	1	KIT, SERVICE, Operators Ride Control
14	87347944	1	KIT, SERVICE, Harness, Suspension
15	87395389	1	CONTROL, Heater, Resistor
16	302016A1	1	PACKAGE, SERVICE, Slide Pucks
17	86639024	1	SCREW, Hex Soc, Shoulder, M10 12 X 30mm, CI12.9,
18	87347934	1	LATCH, Seat Slide
19	87347942	1	KIT, SERVICE, Swivel Control
20	87347941	1	KIT, SERVICE, Fore / Aft Slide Control
21	87347940	1	KIT, SERVICE, Height Control
22	86994165	1	SEAT ACCESSORY, Recliner Control
23	87347936	1	KIT, SERVICE, Swivel
24	87347939	1	KIT, SERVICE, Armrest, Left-Hand, Cloth, without Heat
24	86994250	1	ASSEMBLY, Armrest, Left-Hand, Cloth, Heated
25	86400227	1	SWITCH, Operator Presence
26	86994172	1	KIT, SERVICE, Manual Holder
27	87626130	1	HARNESS, Operator Ride Control
28	87611650	1	SWITCH, Operator Ride Control

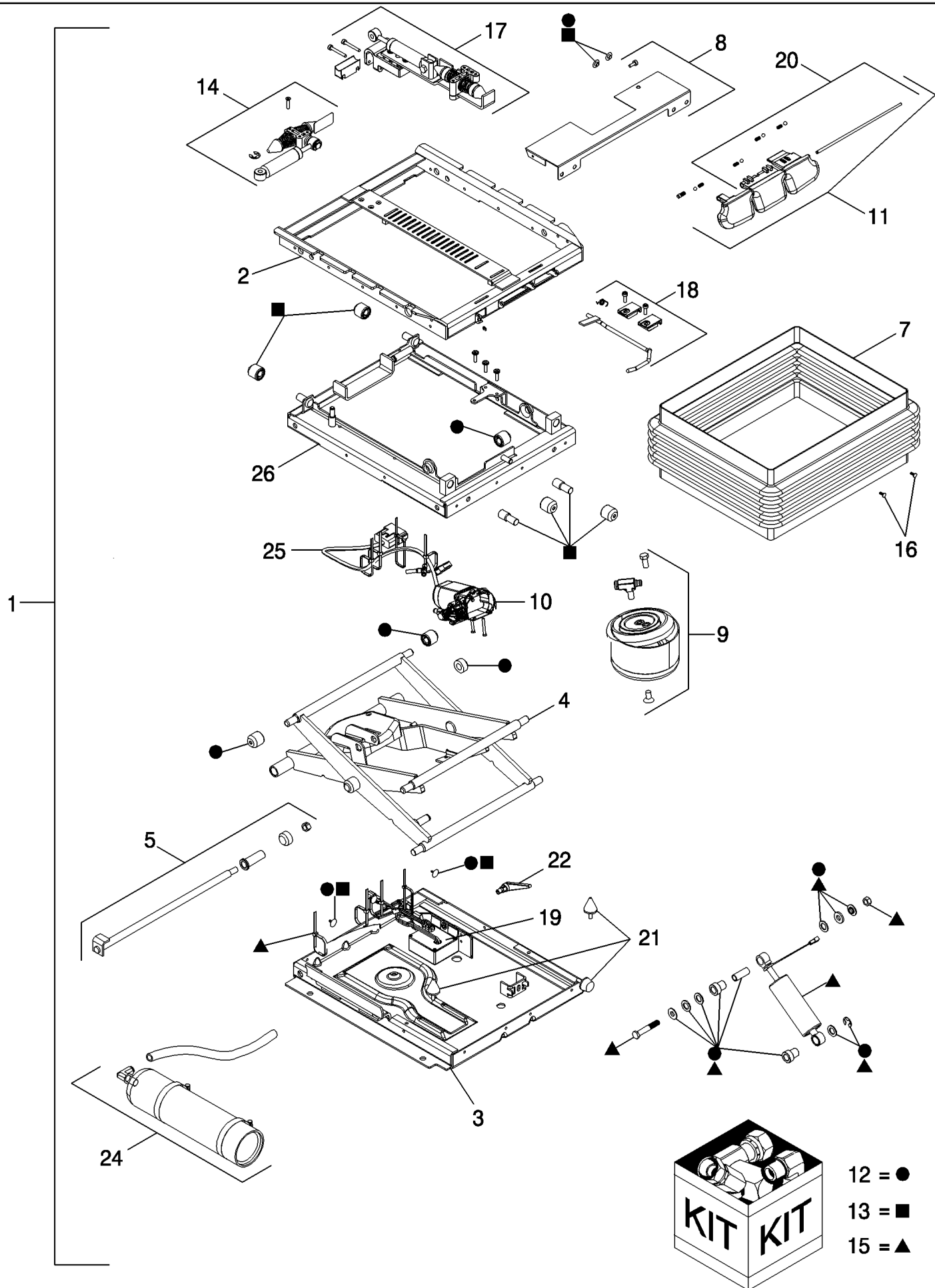


TJ530 TRACTOR (1/06-) - Chassis/Attachments

09-26 SEAT - SUSPENSION ASSEMBLY

Ref	Part Number	Qty	Description
1	87395380	1	SUSPENSION, Inc. 2 - 24
2	87395392	1	HOUSING, Upper
3	333275A1	1	HOUSING, Lower
4	333276A1	1	ARM, Scissor
5	302033A1	1	SHAFT, Scissor Arm
6	87347944	1	KIT, SERVICE, Harness, Not Shown, See Figure: 09-25
7	87347943	1	KIT, SERVICE, Suspension Boot
8	302029A2	1	PLATE, Upper Housing
9	333279A2	1	KIT, Air Spring
10	87347951	1	KIT, SERVICE, Air Compressor
11	87347945	1	KIT, SERVICE, Suspension Bearing and Rollers
12	87347946	1	KIT, SERVICE, Isolator Rollers
13	87395394	1	ISOLATOR, Lateral Isolator Shock Absorber
14	447956A1	1	PACKAGE, SERVICE, Suspension Shock Absorber
15	333659A1	1	PACKAGE, SERVICE, Boot Pin
16	87395395	1	ISOLATOR, Fore and Aft Shock Absorber
17	373470A2	1	PACKAGE, SERVICE, Fore and Aft Isolator Control
18	373473A1	1	PACKAGE, SERVICE, Lateral Isolator Control
19	333295A1	1	PACKAGE, SERVICE, Suspension Bumper
20	87396231	1	TUBE, PLASTIC-RUBBER, Tube and Fitting
21	333296A1	1	PACKAGE, SERVICE, Fore and Aft Isolator Shock Block, Not Shown
22	87347955	1	CABLE, Suspension Shock Cable
23	87395393	1	HOUSING, Upper Lateral Isolater
24	373469A1	1	PACKAGE, SERVICE, Knobs, Suspension

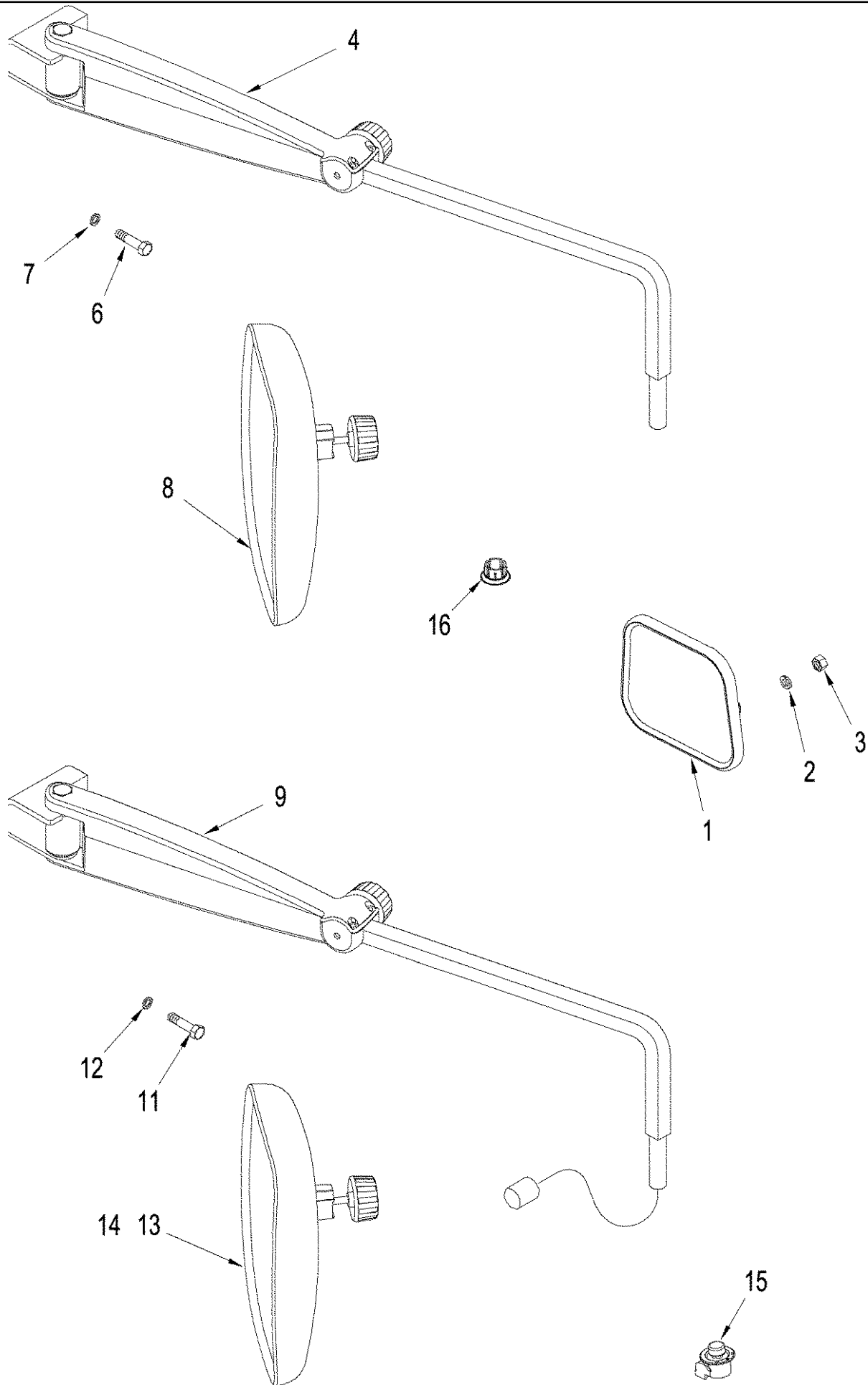
09-27 SEAT - SEMI ACTIVE SUSPENSION ASSEMBLY



TJ530 TRACTOR (1/06-) - Chassis/Attachments

09-27 SEAT - SEMI ACTIVE SUSPENSION ASSEMBLY

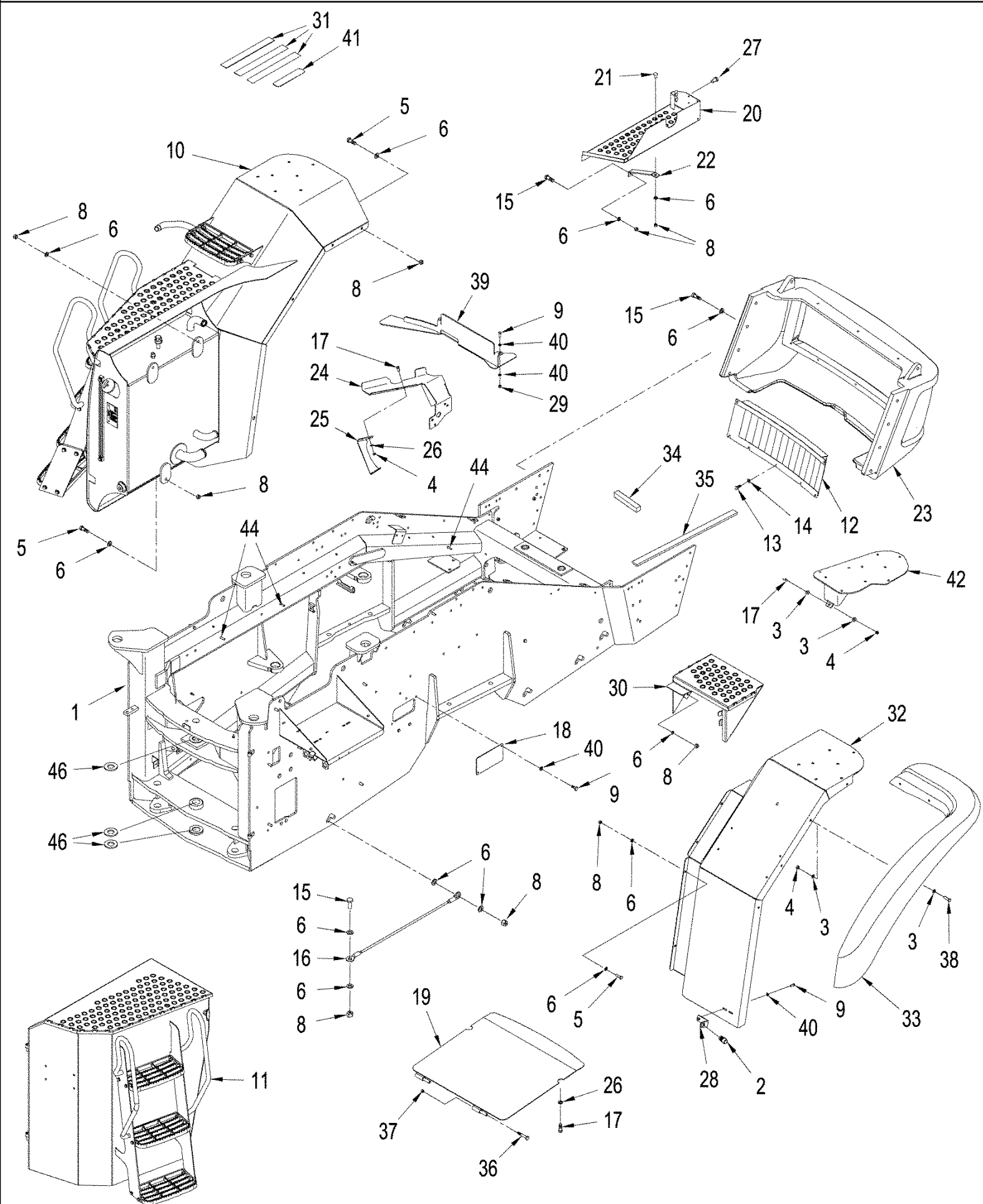
Ref	Part Number	Qty	Description
1	87395381	1	SUSPENSION, Inc. 2 - 26
2	87395392	1	HOUSING, Upper
3	86994256	1	HOUSING, Lower
4	86994258	1	ARM, Scissor
5	302033A1	1	SHAFT, Scissor Arm
6	87347944	1	KIT, SERVICE, Harness, Not Shown, See Figure: 09-25
7	87347943	1	KIT, SERVICE, Suspension Boot
8	302029A2	1	PLATE, Upper Housing
9	333279A2	1	KIT, Air Spring
10	87347951	1	KIT, SERVICE, Compressor
11	87407047	1	KIT, SERVICE, Knobs
12	87347945	1	KIT, SERVICE, Suspension Bearing and Rollers
13	87347946	1	KIT, SERVICE, Isolator Rollers
14	87395394	1	ISOLATOR, Lateral Isolator Shock Absorber
15	86994260	1	KIT, SERVICE, Shock
16	333659A1	1	PACKAGE, SERVICE, Boot Pin
17	87395395	1	ISOLATOR, Fore and Aft Shock Absorber
18	373470A2	1	PACKAGE, SERVICE, Fore and Aft Isolator Control
19	87395396	1	DAMPER, Control Kit
20	373473A1	1	PACKAGE, SERVICE, Lateral Isolator Control
21	333295A1	1	PACKAGE, SERVICE, Suspension Bumper
22	86994267	1	LEVER, Suspension Shock Cable
23	333296A1	1	PACKAGE, SERVICE, Fore and Aft Isolator Shock Block (Not Shown)
24	87347960	1	KIT, SERVICE, Air Tank
25	87396231	1	TUBE, PLASTIC-RUBBER, Air Tank Hose
26	87395393	1	HOUSING, Upper



TJ530 TRACTOR (1/06-) - Chassis/Attachments

09-28 MIRRORS

Ref	Part Number	Qty	Description
1	A177462	1	MIRROR, Interior, Inc. 2, 3
2	85700573	1	WASHER, LOCK, Ext Tooth, M6,
3	86642419	1	PIN, LOCK, 1/4" NF
4	313139A1	1	ARM, Manual, RH, BSN Z6F202001
4	313140A1	1	ARM, Manual, LH, BSN Z6F202001
4	87363073	1	ARM, Manual, RH, ASN Z6F202001
5	87363070	1	ARM, Manual, LH, Not Illustrated, ASN Z6F202001
6	514-865	4	BOLT, Hex, M12 x 80, 10.9,
7	86639330	4	WASHER, M12 x 24.5 x 3, HT,
8	365414A1	2	MIRROR, Manual, BSN Z6F202001
8	87350494	2	MIRROR ASSY., Manual, ASN Z6F202001
9	313141A1	1	ARM, RH, Electric, BSN Z6F202001
9	87363082	1	ARM, RH, Electric, ASN Z6F202001
10	87369735	1	ARM, LH, Electric, Not Illustrated, BSN Z6F202001
10	87363077	1	ARM, LH, Electric, Not Illustrated, ASN Z6F202001
11	412065	4	PIN, M12 x 80; 10.9
12	86639330	4	WASHER, M12 x 24.5 x 3, HT,
13	360580A1	2	MIRROR, Electric, Inc. 14
13	87363066	1	MIRROR, Electric, ASN Z6F202001
14	324437A1	1	MIRROR, REPLACEMENT, Glass
15	280627A1	1	SWITCH, Mirror Adjustment
16	280628A1	1	PLUG,



TJ530 TRACTOR (1/06-) - Chassis/Attachments

09-30 FRONT FRAME, TJ480 / 530 & T9050 / 9060

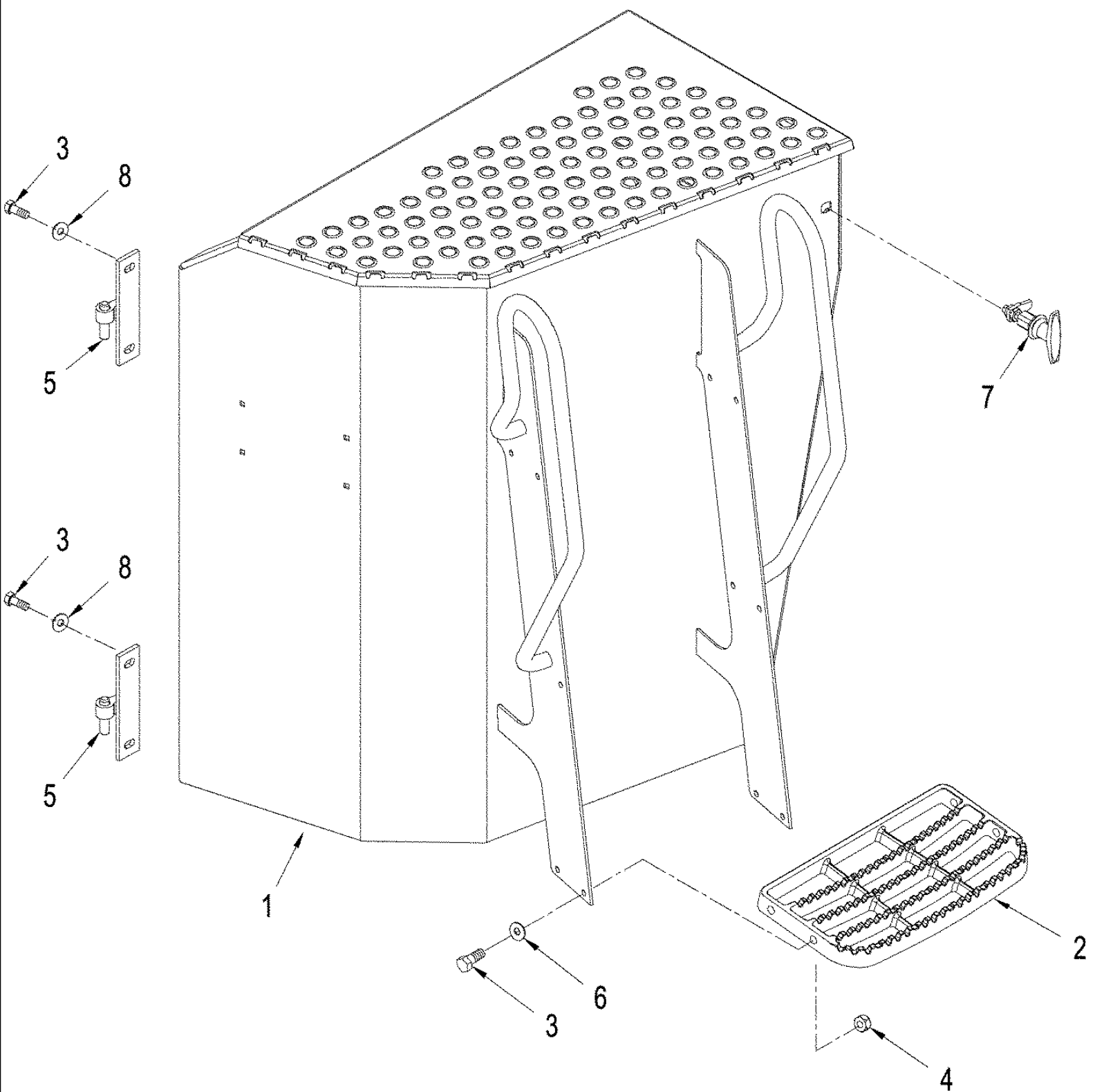
Ref	Part Number	Qty	Description
1	446595A1	1	FRAME ASSY, Front
2	363226A1	1	BUMPER, Rubber
3	86625253	28	WASHER, M11 x 24 x 2,
4	86500689	17	NUT, M10, CI 10,
5	627-12045	20	BOLT, Hex, M12 x 45, 10.9, Full Thd,
6	86625255	54	WASHER, M13.5 x 24.5 x 3, HT,
7	832-10408	2	NUT, LOCK, M8 x 1.25, CI 8,
8	9824642	24	BOLT, Hex, M12 x 35, 10.9,
9	43234	3	BOLT, Hex, M8 x 25, 10.9,
10	NSS	1	NOT SERVICED SEPARATELY, Tank Assy, Hydraulic, See Figure: 08-15
11	NSS	1	NOT SERVICED SEPARATELY, Door Assy, Battery, RH, See Figure: 09-31
12	87439052	1	SCREEN, Bumper
13	627-6016	7	BOLT, Hex, M6 x 16, 10.9,
14	895-15006	7	WASHER, M6 x 25 x 1.6,
15	627-12040	11	BOLT, Hex, M12 x 40, 10.9, Full Thd,
16	87372424	1	RETAINER, CABLE,
17	627-10025	3	BOLT, Hex, M10 x 25, 10.9, Full Thd,
18	9846677	1	BOLT, Hex, M10 x 25, 10.9, Full Thd,
19	87309871	1	COVER, DOOR, Access
20	87522126	1	STEP, Front Frame
21	374895	1	BOLT, CARRIAGE, Short NK, M12 x 25, CI8.8, Full Thd,
22	87522173	1	GUSSET,
23	87439043	1	BUMPER, Front Frame
24	87524659	1	SHIELD, Debris
25	87528745	1	SUPPORT, Debris Sheild
26	895-11010	16	WASHER, M10 x 20 x 2,
27	384163A1	1	PLUG, PLASTIC,
28	443357A1	1	BRACKET, Door Stop
29	87436580	1	PLATE, MOUNTING, Harness Mounting
30	87316943	1	STEP, With Fender
31	D55216	3	STRIP, ANTI-SKID, Anti-Skid
32	87318292	1	FRONT FENDERS 4WD, RH
33	397308A3	1	FENDER, Flare, RH, Front
34	87436579	2	SEAL,
35	328197A1	3	SEAL, Foam
36	86639151	1	BOLT, Hex, M12 x 120, 10.9,
37	412126	1	NUT, LOCK, M12 x 1.75, CI 8,
38	86624978	6	BOLT, Hex, M10 x 35, 10.9, Full Thd,
39	87346410	1	SHIELD, Trash
40	86624185	8	WASHER, M8 x 17.5 x 2, HT,
41	D55216	1	STRIP, ANTI-SKID, Non-Slip
42	87439466	1	SUPPORT ASSY., Air Intake
43	87443717	1	COVER, Access
44	426285A1	45	STUD, Threaded
45	832-10408	4	NUT, LOCK, M8 x 1.25, CI 8,

TJ530 TRACTOR (1/06-) - Chassis/Attachments

09-30 FRONT FRAME, TJ480 / 530 & T9050 / 9060

Ref	Part Number	Qty	Description
46	87591684	3	WASHER, Front Frame Articulation Hinge

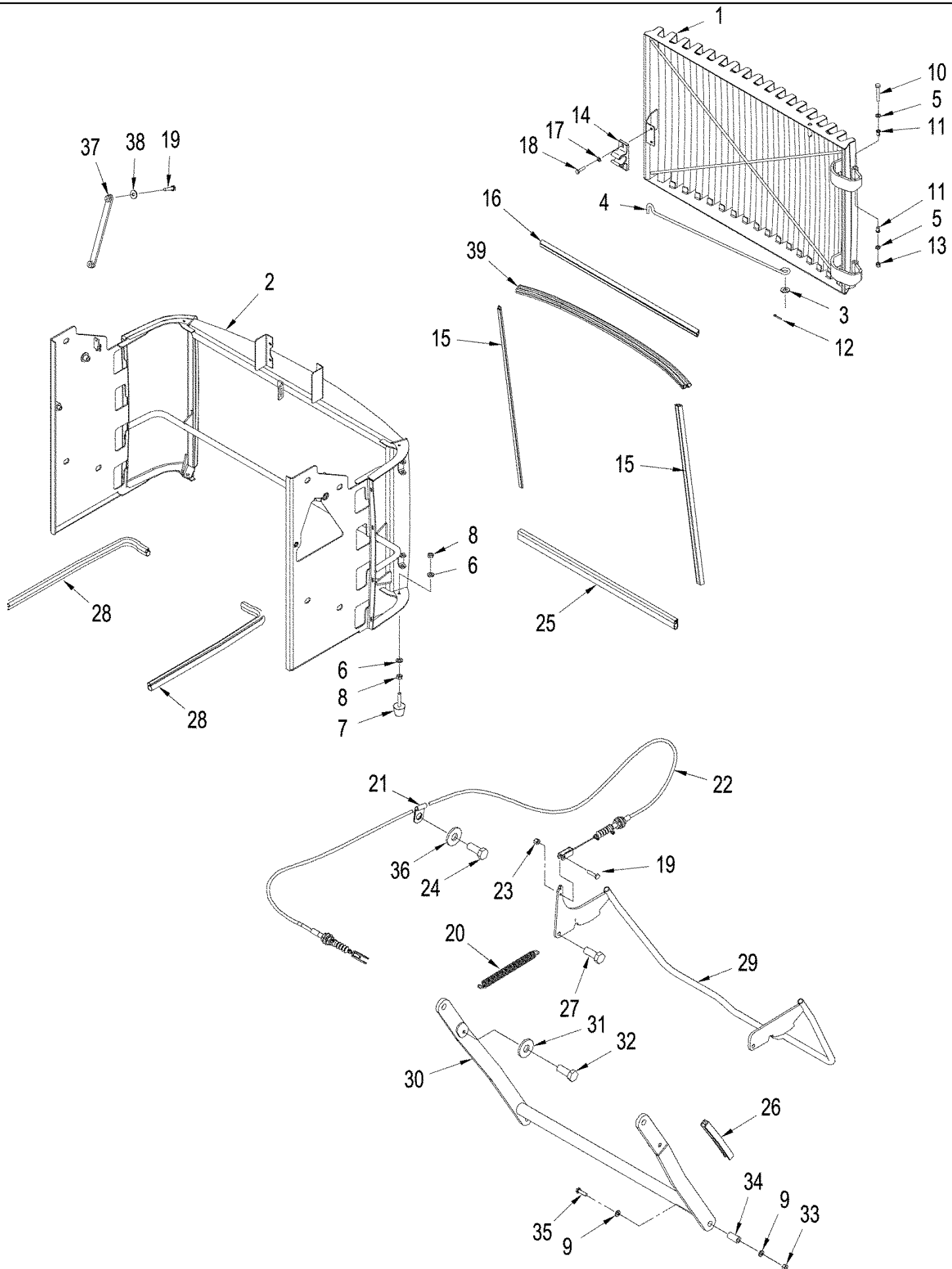
09-31 BATTERY DOOR



TJ530 TRACTOR (1/06-) - Chassis/Attachments

09-31 BATTERY DOOR

Ref	Part Number	Qty	Description
1	87361594	1	COVER, DOOR, Battery
2	87301185	3	STEP, Battery Door
3	86624978	16	BOLT, Hex, M10 x 35, 10.9, Full Thd,
4	86514720	12	NUT, LOCK, M10, CL8
5	87582012	2	PLATE, Door Hinge
6	895-11010	12	WASHER, M10 x 20 x 2,
7	87340774	1	LATCH, Door
8	896-15010	4	WASHER, M10 x 24.5 x 3, HT,



TJ530 TRACTOR (1/06-) - Chassis/Attachments

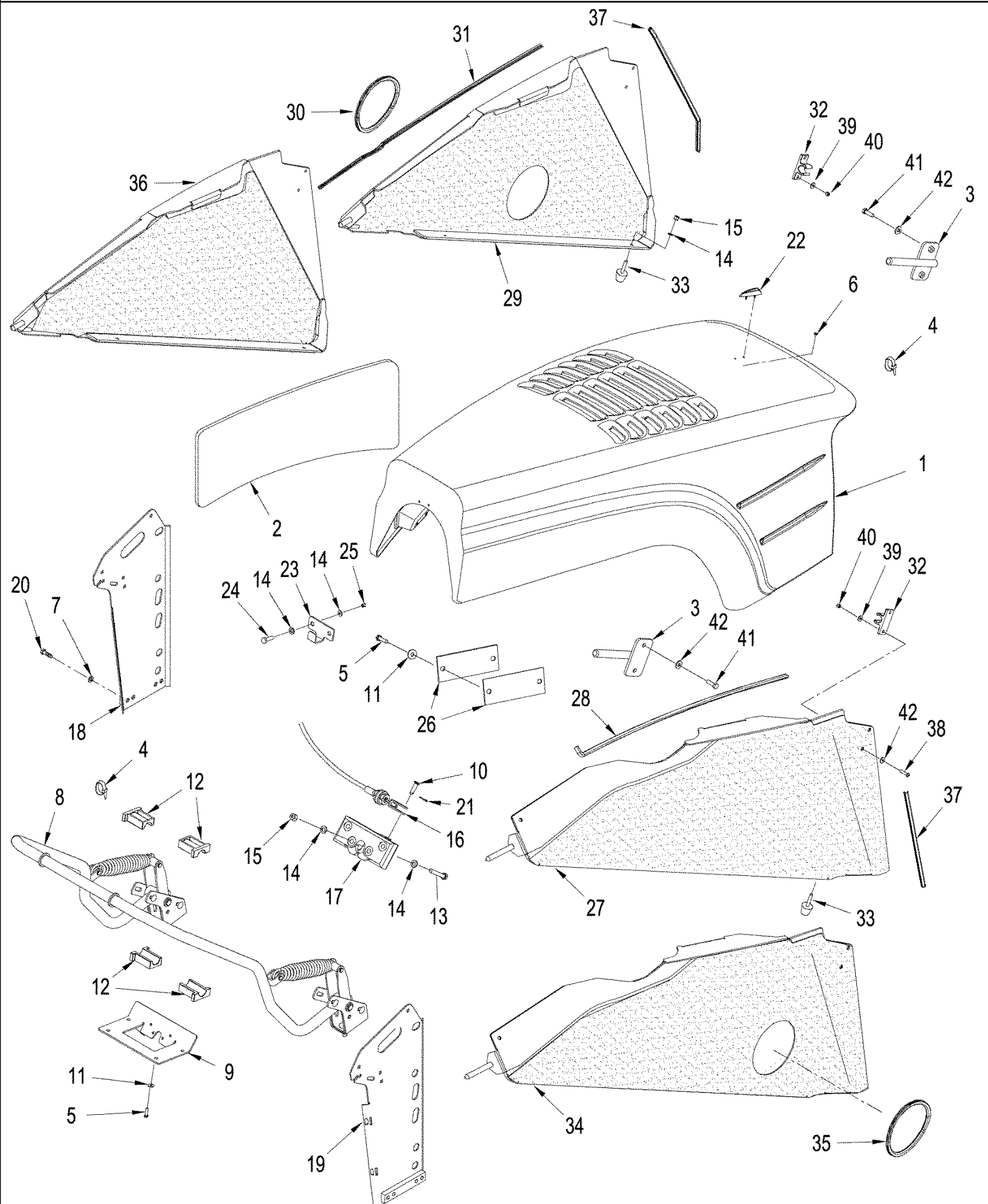
09-32 GRILLE

Ref	Part Number	Qty	Description
1	87314929	1	GRILLE, , TJ380 /430, T9030 / 9040
1	87439516	1	GRILLE ASSY, , TJ480 / 530, T9050 / 9060
2	87309303	1	GRILLE, Frame, T9030 / 9040, TJ380 /430
2	87439515	1	GRILLE ASSY, Frame, TJ480 / 530, T9050 / 9060
3	86625254	1	WASHER, M12 x 28 x 2.5,
4	87314942	1	ROD, Grille Prop
5	529761R1	4	BUSHING,
6	86625252	6	WASHER, M10 x 21.5 x 2.5, HT,
7	86625005	2	BOLT, Hex, M8 x 60, 10.9, Rubber
8	86500689	2	NUT, M10, CI 10,
9	86625255	4	WASHER, M13.5 x 24.5 x 3, HT,
10	86639189	2	BOLT, Hex, M6 x 60, 10.9,
11	86624184	4	WASHER, M8 x 16 x 1.6,
12	733-4020	1	PIN, SPLIT (COTTER), M4 x 20,
13	86528579	2	NUT, LOCK, M8 x 1.25, CI 10,
14	87312706	1	CLIP,
15	395578A1	2	SEAL, Grille, LH & RH Sides, 558 mm (22 in), Cut From : 353729A1
16	352768A1	1	SEAL, Foam, TJ380 /430, T9030 / 9040
16	87439824	1	SEAL, Foam, TJ480 / 530, T9050 / 9060
17	86625261	2	WASHER, M5 x 10 x 1,
18	614-5020	2	BOLT, Hex, M5 x 20, 8.8, Full Thd, M5 x 20, CL8.8
19	86639038	9	BOLT, Hex, M6 x 25, 10.9,
20	L106237	1	SPRING,
21	86639008	1	CLAMP, 1/4", Insul, 1/2" Bolt, 1/4 ID
22	443297A1	1	CABLE PULLING GRIP,
23	393392	1	NUT, LOCK, M6 x 1, CI 8,
24	43260	6	BOLT, Hex, M12 x 30, 10.9,
25	440891A1	1	SEAL, Grille, Lower, Cut From : 436609A1, T9030 / 9040, TJ380 /430
25	369741A1	1	SEAL, Grille, Lower, TJ480 / 530, T9050 / 9060
26	388554A1	2	GROMMET, 127 mm (5"), Cut From : 443080A1
27	357893A1	2	SCREW,
28	412557A1	2	SEAL, RUBBER, 581 mm (23")
29	325525A3	1	ARM, Safety, TJ380 /430, T9030 / 9040, BSN Z7F202342
29	87577001	1	LEVER, Hood Opening, T9030 / 9040, TJ380 /430, ASN Z7F202342
29	86990490	1	ARM ASSY., Safety, TJ480 / 530, T9050 / 9060, BSN Z7F202470
29	87577002	1	LEVER, Hood Opening, T9050 / 9060, TJ480 / 530, ASN Z7F202470
30	414503A1	1	LINK, Hood, T9030 / 9040
30	87311749	1	ARM ASSY., Hood, TJ480 / 530, T9050 / 9060
31	86625253	2	WASHER, M11 x 24 x 2,
32	9861444	2	BOLT, Hex, M10 x 20, 10.9, Full Thd,
33	337475	4	NUT, M12, CI 10,
34	316937A1	2	SPACER,
35	43263	2	BOLT, Hex, M12 x 60, 10.9,
36	86639325	6	WASHER, M10 x 24.5 x 3, HT,
37	356813A2	4	BRACKET, SUPPORTING, Nut Strip

TJ530 TRACTOR (1/06-) - Chassis/Attachments

09-32 GRILLE

Ref	Part Number	Qty	Description
38	86624182	8	WASHER, M6 x 18 x 1.6,
39	440890A1	1	SEAL, Foam, Grille Frame, Upper, T9030 / 9040, TJ380 /430
39	87440015	1	SEAL, Foam, Grille Frame, Upper, TJ480 / 530, T9050 / 9060



TJ530 TRACTOR (1/06-) - Chassis/Attachments

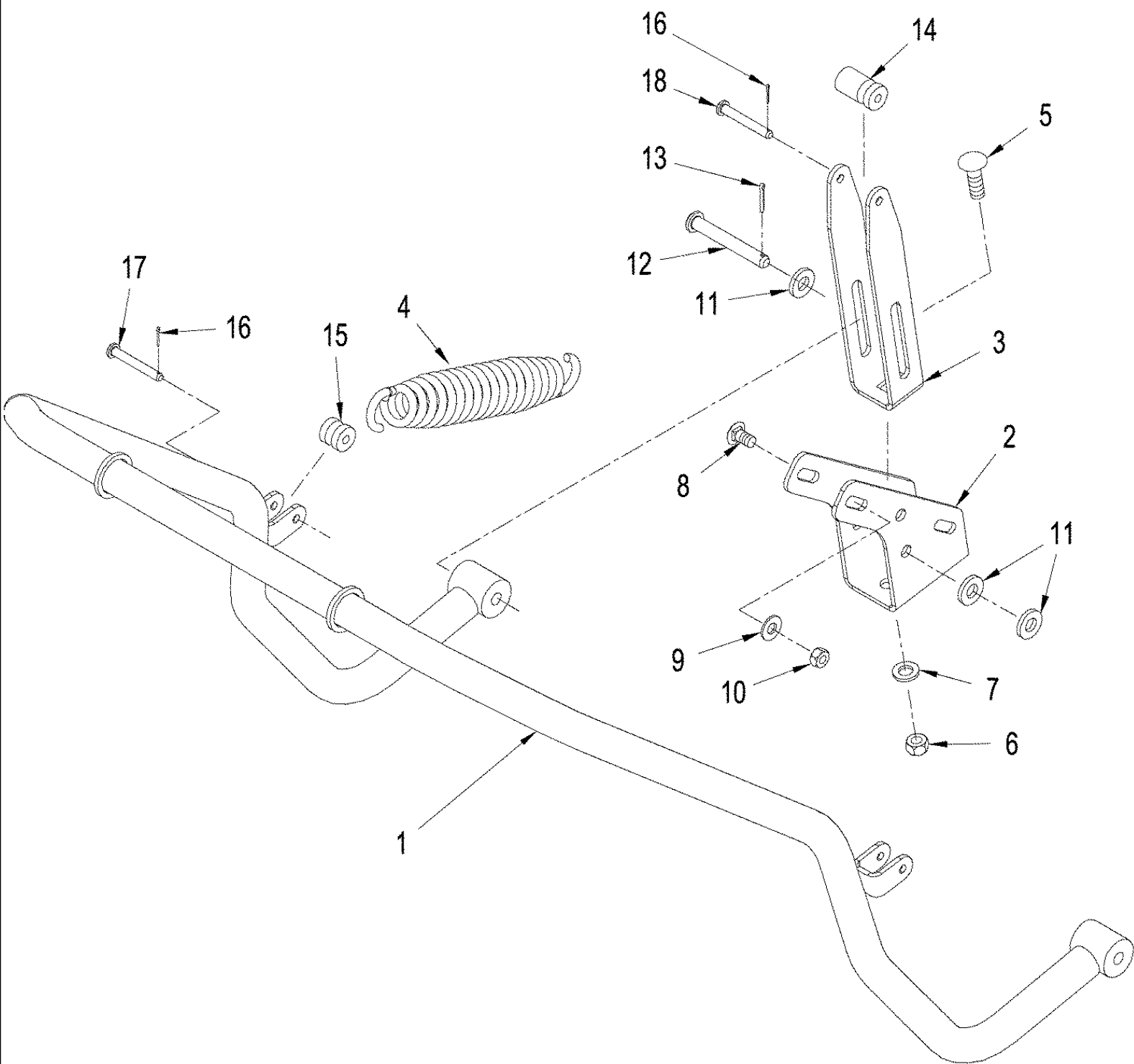
09-34 HOOD AND SUPPORT, TJ480 / 530 & T9050 / 9060

Ref	Part Number	Qty	Description
1	87441674	1	HOOD ASSY., Engine
2	87445180	1	INSULATION, FOAM, Hood
3	87312696	1	PLATE, MOUNTING, w/ Lock
4	435437A1	2	STRAP, CABLE, 3/16" x 7 1/4",
5	87317695	4	BOLT, Hex, M6 x 30, 10.9, Full Thd,
6	86625060	2	NUT, Self, Threading, 1/4",
7	86625255	8	WASHER, M13.5 x 24.5 x 3, HT,
8	87532171	1	ARM, SUPPORTING, Safety, See Figure: 09-35
9	87367456	1	BRACKET, Hood Latch
10	86639105	1	PIN, CLEVIS, M6 x 20,
11	86624182	8	WASHER, M6 x 18 x 1.6,
12	314842A3	4	BEARING,
13	86639188	4	BOLT, Hex, M6 x 40, 10.9,
14	86624181	10	WASHER, M6,
15	86514335	4	NUT, LOCK, CL 10, M6 x 1
16	443297A1	1	CABLE PULLING GRIP, Hood Latch
17	318159A1	1	LATCH, Hood, BSN Z7F202342
17	87550202	1	LATCH, Hood, ASN Z7F202342
18	87303387	1	SUPPORT, Radiator, LH
19	87303386	1	SUPPORT, Radiator, RH
20	80337563	8	SCREW, Cap, HH, CL 10.9, M12 x 1.75 x 40
21	86639114	1	PIN, SPLIT (COTTER), M1.6 x 10,
22	87353799	1	GUIDE, Hood Sight
23	87305954	1	BRACKET, Air Cleaner Cover
24	627-6020	2	BOLT, Hex, M6 x 20, 10.9,
25	829-1406	2	NUT, M6, CI 10,
26	87307537	4	PLATE, Hood Guide
	87312676	1	SCREEN, Assy., Engine Debris, RH, Inc. 14, 15, 27, 28, 32, 33, 34, 38 - 40, 43 & 44
27	87352532	1	SCREEN, Engine Debris, RH
28	87533287	1	SOFT TRIM, Debris Screen, RH, 105 mm (4"), Cut From: 87533285
	87312675	1	SCREEN, Assy., Engine Debris, LH, Inc. 14, 15, 29 - 34, 38 - 40, 43 & 44
29	87353505	1	SCREEN, Engine Debris, LH
30	87422383	1	SEAL, RUBBER, Dipstick Hole, 476mm (18 - 3/4 in), Cut from: 87371080
31	87533287	1	SOFT TRIM, Debris Screen, LH, 105 mm (4"), Cut from: 87533285
32	87312706	1	CLIP,
33	87315570	2	MOUNT, RUBBER, SPACER
34	369741A1	1	SEAL, Bulb, 75 mm (3")
35	86511315	4	WASHER, M8 x 16 x 1.6,
36	120104	2	BOLT, Hex, M8 x 20, 8.8,
37	86528579	2	NUT, LOCK, M8 x 1.25, CI 10,
38	840-1525	2	SCREW, Cross Pan Hd, M5 x 25,
39	895-11005	2	WASHER, M5 x 10 x 1,
40	832-10405	2	NUT, LOCK, M5 x .8, CI 8,
41	43234	6	BOLT, Hex, M8 x 25, 10.9,
42	896-15008	4	WASHER, M8 x 21.5 x 2.5, HT,

TJ530 TRACTOR (1/06-) - Chassis/Attachments

09-34 HOOD AND SUPPORT, TJ480 / 530 & T9050 / 9060

Ref	Part Number	Qty	Description
43	895-25005	2	WASHER, M5 x 15 x 1.6,
44	369741A1	2	SEAL,
45	87422371	2	CABLE, Debris Screen

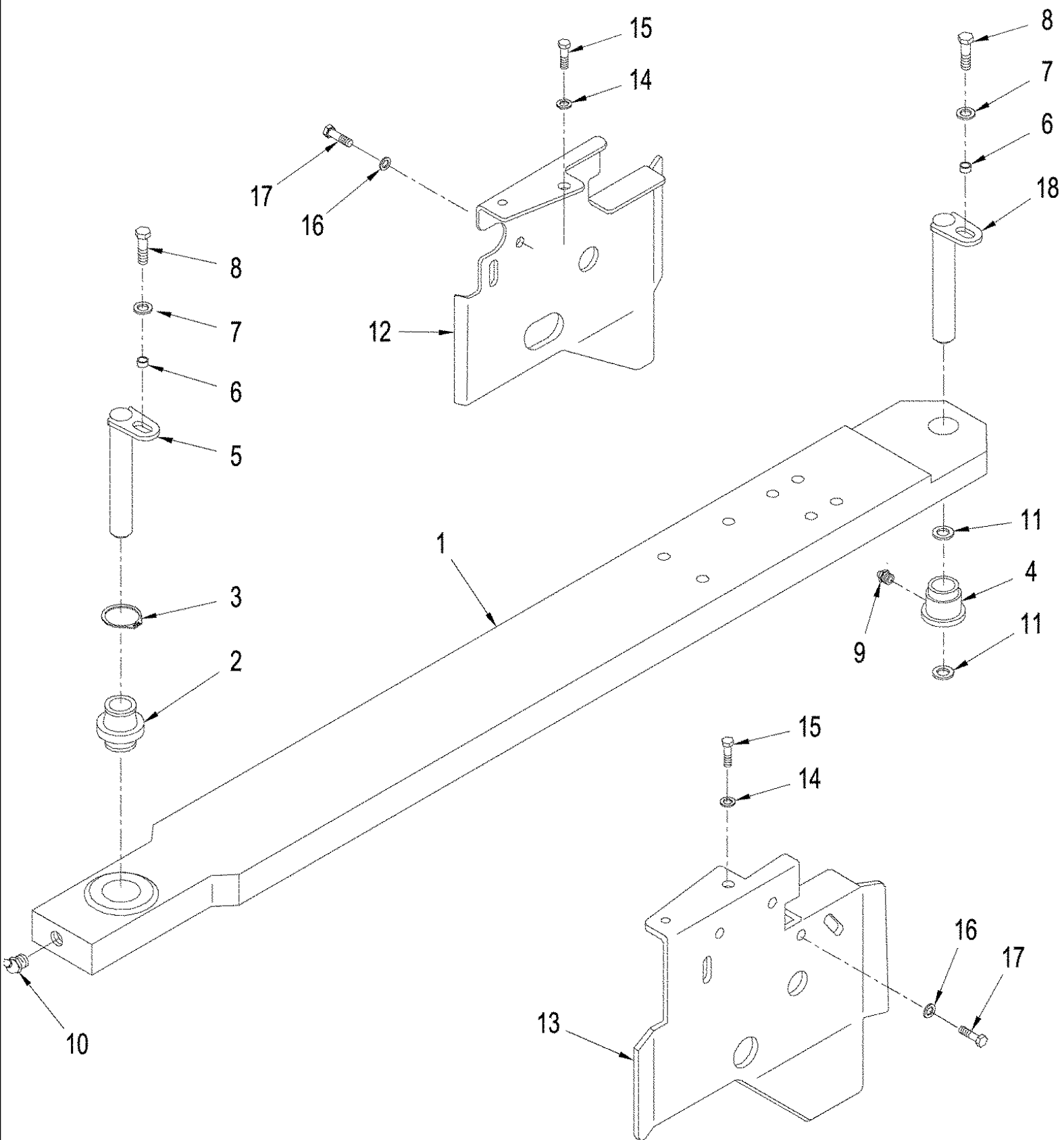


TJ530 TRACTOR (1/06-) - Chassis/Attachments

09-35 HOOD - LIFT ARM

Ref	Part Number	Qty	Description
1	339543A2	1	ARM, Lift, TJ380 /430, T9030 / 9040
1	87532171	1	ARM, SUPPORTING, Lift, TJ480 / 530, T9050 / 9060
2	339551A1	2	BRACKET,
3	339547A1	2	CLEVIS, ADJUSTABLE,
4	339549A1	2	SPRING, COIL,
5	328754	2	BOLT, CARRIAGE, Short NK, M12 x 40, CI8.8, Full Thd,
6	337475	2	NUT, M12, CI 10,
7	86625255	2	WASHER, M13.5 x 24.5 x 3, HT,
8	V43471	4	BOLT,
9	86625253	4	WASHER, M11 x 24 x 2,
10	86500689	4	NUT, M10, CI 10,
11	86625256	6	WASHER, M12 x 28.5 x 4, HT,
12	86639103	2	PIN, CLEVIS, M12 x 90,
13	130003	2	PIN, SPLIT (COTTER), M3.2 x 20,
14	313992A1	2	SPOOL,
15	320429A1	2	SPOOL,
16	86639115	4	PIN, SPLIT (COTTER), M2 x 12,
17	86639107	2	PIN, CLEVIS, M8 x 60,
18	86639106	2	PIN, CLEVIS, M8 x 40,

09-36 CENTER LINK

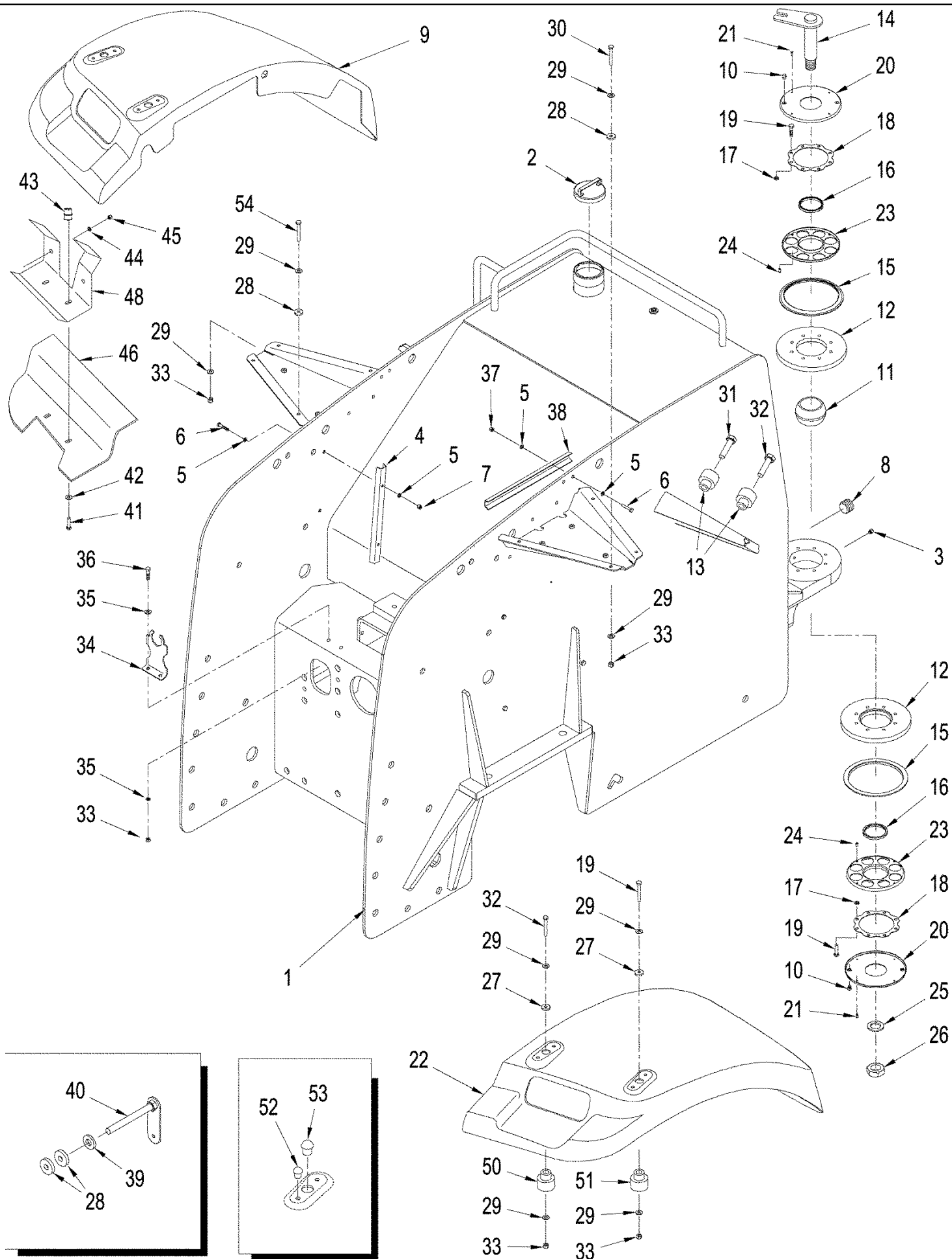


TJ530 TRACTOR (1/06-) - Chassis/Attachments

09-36 CENTER LINK

Ref	Part Number	Qty	Description
	87384059	1	LINK, CONNECTING, 1-3/4" thk, Inc. 1 - 4, T9050, TJ480, T9030 / 9040, TJ380 /430
	87384060	1	LINK, CONNECTING, 2-1/4" thk, Inc. 1 - 4, T9030 / 9040 & 9050 HD, T9060, TJ380 / 430 & 480 HD, TJ530
1	NSS	1	NOT SERVICED SEPARATELY, Link
2	435499A1	1	BEARING,
3	86637648	1	RING, SNAP, #354, Int, No. 354
4	435529A1	1	BUSHING,
5	195941A1	AR	PIN, 1-3/4" x 8", Retaining, Center Link, On Machines BSN Z6F200142 use qty. (2) and ASN Z6F200142 use qty. (1).
6	435501A1	2	SPACER,
7	896-11016	2	WASHER, M17.5 x 30 x 4, HT,
8	627-16040	2	BOLT, Hex, M16 x 40, 10.9,
9	219-1	1	NIPPLE, LUBE, 1/8"-27 x .66 lg,
10	219-36	1	NIPPLE, LUBE, 45c, 1/8" NPT x 7/8" lg,
11	D95143	2	SEAL,
12	87423436	1	COVER, Drive Shaft, LH
13	87423437	1	COVER, Drive Shaft, RH
14	895-11010	4	WASHER, M10 x 20 x 2,
15	627-10020	4	BOLT, Hex, M10 x 20, 10.9, Full Thd,
16	495-11053	4	WASHER, 1/2", SAE,
17	426-812	4	BOLT, Hex, 1/2"-13 x 3/4", G8, Full Thd, 1/2" NC x 3/4", CL8
18	87399531	1	PIN, LARGE, Retaining, Center Link, ASN Z6F200142

09-37 REAR FRAME



TJ530 TRACTOR (1/06-) - Chassis/Attachments

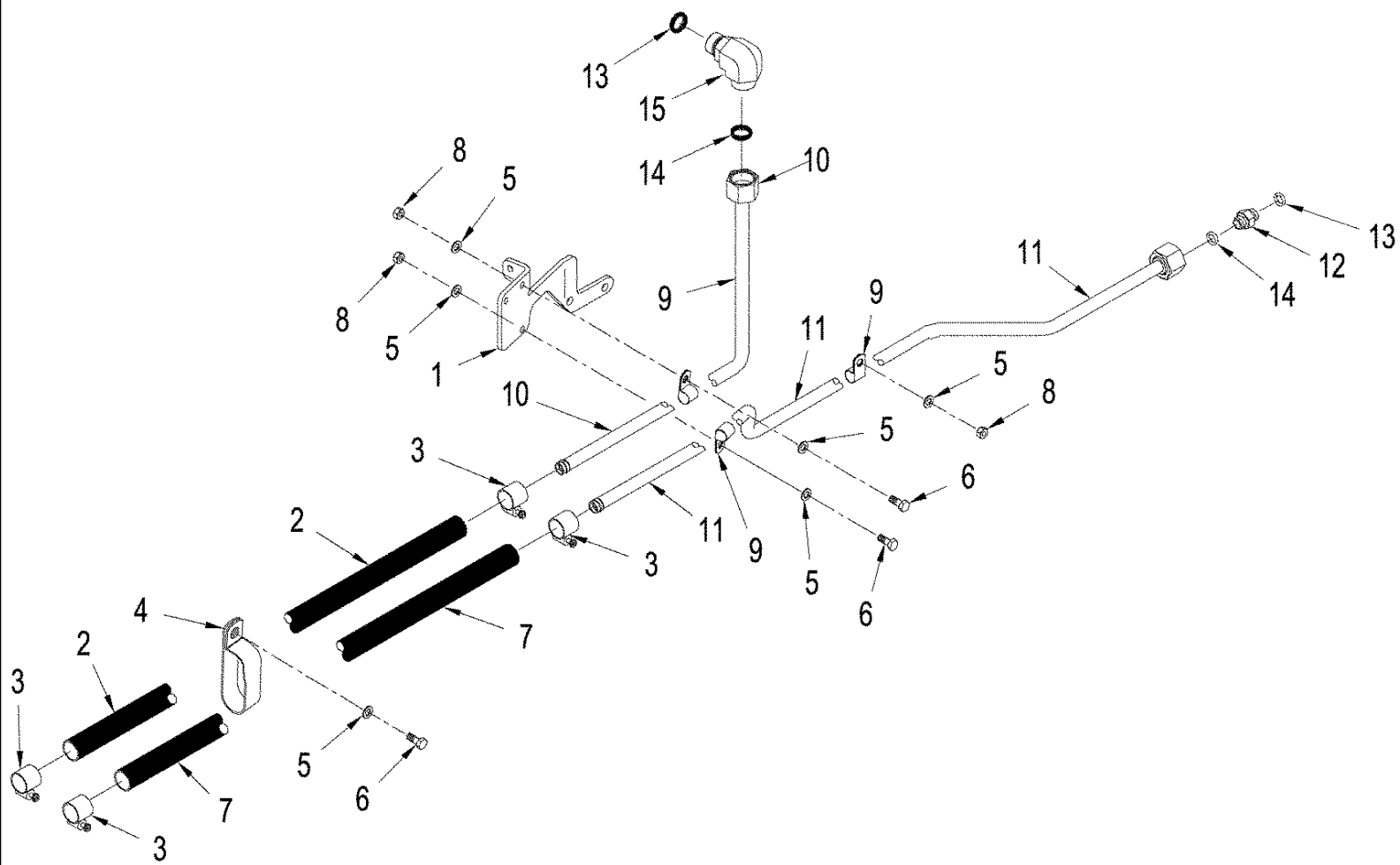
09-37 REAR FRAME

Ref	Part Number	Qty	Description
1	400676A1	1	FRAME, Rear
2	433479A1	1	CAP, Fuel Fill, BSN Z7F202118
2	87555106	1	CAP FUEL, LOCKABLE, , ASN Z7F202118
3	80717	1	NIPPLE, LUBE, 45c, 1/8" NPT x 7/8" lg,
4	413188A1	2	CHANNEL,
5	86624184	8	WASHER, M8 x 16 x 1.6,
6	86625003	4	BOLT, Hex, M8 x 50, 10.9,
7	86528579	4	NUT, LOCK, M8 x 1.25, CI 10,
8	384163A1	1	PLUG, PLASTIC, LH
9	426937A6	1	FENDER, REAR, LH
10	86639336	4	PLUG, Hex Hd, 1/8"-27 NPTF,
11	87311338	1	BEARING, Roller
12	330032A1	2	RING,
13	434069A1	2	SPACER,
14	87590638	1	PIN, Pivot
15	433478A1	2	GASKET,
16	D95148	2	WIPER,
17	432444A1	16	SPACER,
18	430250A1	2	RETAINER,
19	43248	16	BOLT, Hex, M10 x 40, 10.9, Full Thd,
20	433480A2	2	COVER,
21	86637658	16	SCREW, Hex Hd, #10-32 x 1/2", G5,
22	426938A6	1	FENDER, REAR, RH
	433481A1	2	HOUSING, Bearing, Inc. 23, 24
23	NSS	2	NOT SERVICED SEPARATELY, Housing
24	NSS	8	NOT SERVICED SEPARATELY, Spacer
25	SFD014088	1	WASHER, 1-3/4"
26	425-1528	1	NUT, Jam
27	86979890	8	GROMMET, 11/16" ID x 1" Groove Dia, Str Cut,
28	321232A1	10	BUSHING, M10 x 35; 10.9
29	86625253	8	WASHER, M11 x 24 x 2,
30	86624979	2	BOLT, Hex, M10 x 75, 10.9,
31	86639030	2	BOLT, Hex, M10 x 70, 10.9, Full Thd,
32	43249	2	BOLT, Hex, M10 x 50, 10.9,
33	86500689	2	NUT, M10, CI 10,
34	402769A2	1	PLATE, Mounting
35	86624176	2	WASHER, M10 x 20 x 2,
36	86624978	2	BOLT, Hex, M10 x 35, 10.9, Full Thd,
37	86528579	2	NUT, LOCK, M8 x 1.25, CI 10,
38	413188A1	1	CHANNEL, Wire Harness
39	86625256	1	WASHER, M12 x 28.5 x 4, HT,
40	406390A1	1	HANDLE, Mounting, Articulation Lock
41	86977726	4	BOLT, Hex, M6 x 12, 8.8,
42	86517328	4	WASHER, LOCK, M6,
43	404287A1	4	INSERT,

TJ530 TRACTOR (1/06-) - Chassis/Attachments

09-37 REAR FRAME

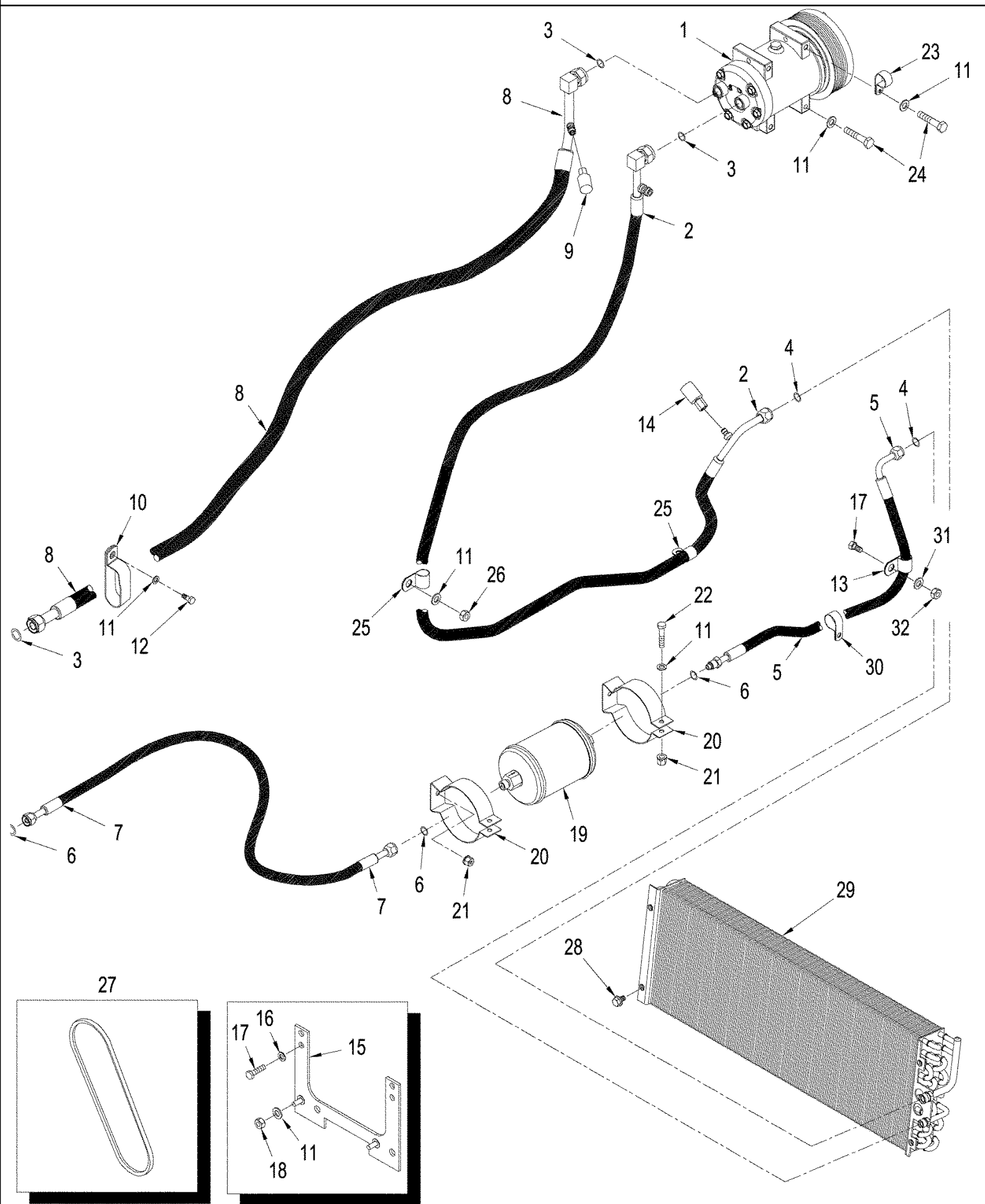
Ref	Part Number	Qty	Description
44	86624181	4	WASHER, M6,
45	412250	4	NUT, LOCK, M8 x 1.25, CI 8,
46	436218A2	1	SHIELD, LH
47	436162A2	1	SHIELD, RH, Not Illustrated
48	432280A1	1	LAMP, TAIL, Mounting, LH
49	432279A1	1	LAMP, TAIL, Mounting, RH, Not Illustrated
50	434066A1	2	SPACER,
51	434068A1	4	SPACER,
52	353-411	1	PLUG, Dome, 1.000" hole, Nylon, Not Illustrated, Used without Rear Fender Lamps
53	353-403	2	PLUG, Dome, .437" hole, Nylon, Not Illustrated, Used without Rear Fender Lamps
54	627-10085	2	BOLT, Hex, M10 x 85, 10.9, Full Thd,



TJ530 TRACTOR (1/06-) - Chassis/Attachments

09-39 HEATER - HOSES, TJ480 / 530 & T9050 / 9060

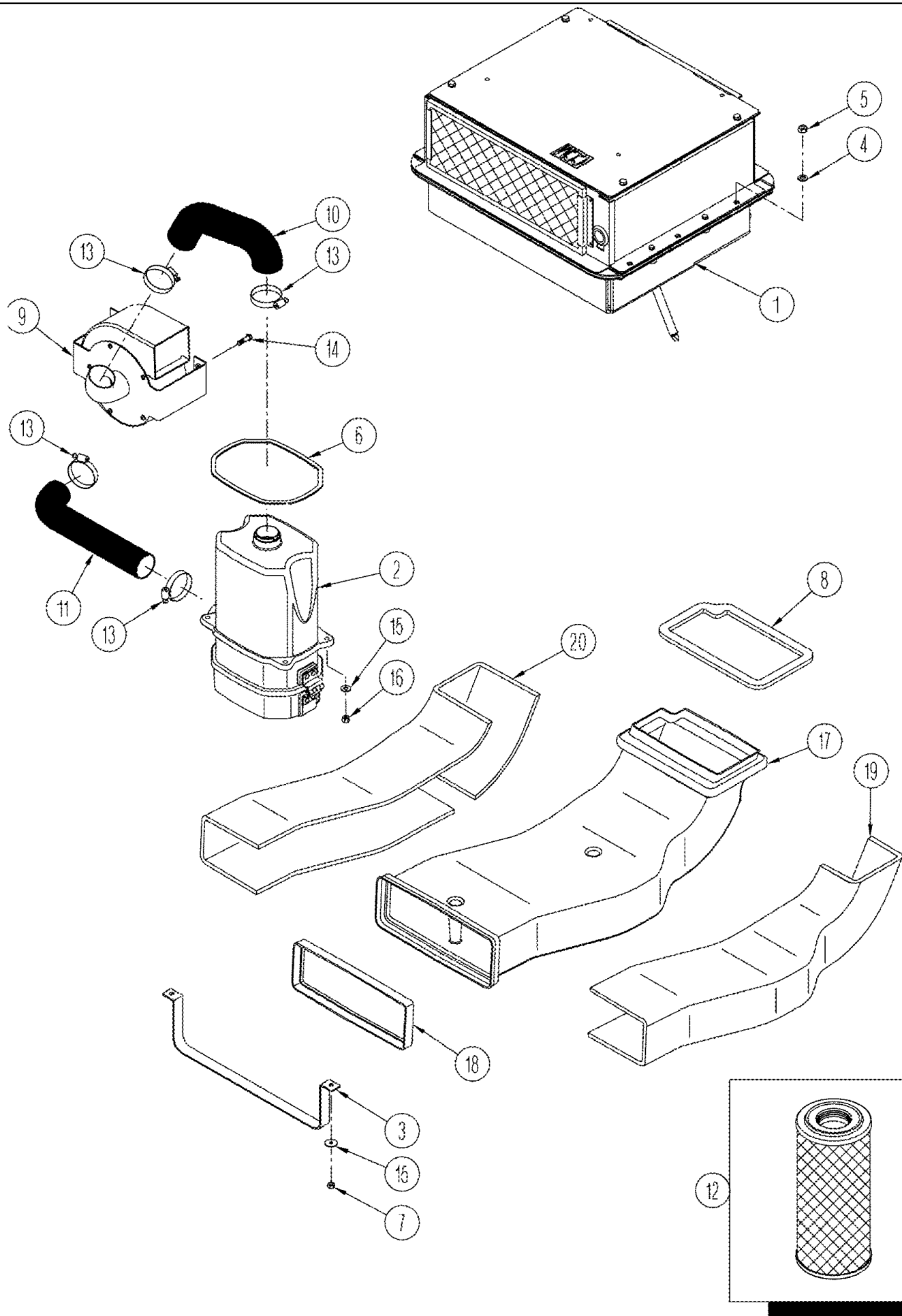
Ref	Part Number	Qty	Description
1	87335706	1	BRACKET, Support
2	87391868	1	HOSE, Supply
3	214-1408	4	CLAMP, HOSE, #08, 0.50/0.91 Type F Worm,
4	R54363	1	CLAMP, Double
5	895-11008	9	WASHER, M8 x 16 x 1.6,
6	627-8020	3	BOLT, Hex, M8 x 20, 10.9,
7	87391868	1	HOSE, Return
8	829-1408	5	NUT, M8, CI 10,
9	515-23159	3	CLAMP, 5/8", Insul, 3/8" Bolt,
10	87389218	1	TUBE, HEATER, Supply, Upper
11	87389219	1	TUBE, HEATER, Return, Lower
12	700-104	1	CONNECTOR, HYD., 1 3/16"-12 ORFS x M27 x 2 ORB, Inc. 13 & 14
13	637-64236	1	O-RING, CI 6, 23.6MM ID x 2.9 Thk,
14	238-6018	1	O-RING, -018, 90 Duro, .739" ID x .070" Thk,
15	700-307	1	ELBOW, 90°, 1 3/16"-12 ORFS x M27 x 2 ORB, Inc. 13 & 14



TJ530 TRACTOR (1/06-) - Chassis/Attachments

09-41 AIR CONDITIONING SYSTEM, TJ480 / 530 & T9050 / 9060

Ref	Part Number	Qty	Description
1	86993463	1	COMPRESSOR, AIRCOND.,
2	87580499	1	HOSE ASSY., 2160 mm (85"), Compressor to Condensor, Inc. 3 & 4
3	128485A1	1	O-RING,
4	128484A1	1	O-RING,
5	87437756	1	HOSE ASSY., 2418 mm (95"), Condensor to Dryer, Inc. 4 & 6
6	128483A1	1	O-RING,
7	87437755	1	HOSE ASSY., 2045 mm (80-1/2"), Dryer to Evaporator, Inc. 6
8	87580501	1	HOSE ASSY., 3510 mm (138"), Evaporator to Compressor, Inc. 3 & 9
9	122553A1	1	CAP, Low Side Service Port
10	R54363	2	CLAMP, Double
11	895-11008	17	WASHER, M8 x 16 x 1.6,
12	627-8025	2	BOLT, Hex, M8 x 25, 10.9,
13	515-23159	2	CLAMP, 5/8", Insul, 3/8" Bolt,
14	284273A2	1	SWITCH, A/C, High Pressure
15	87440265	1	BRACKET, Mounting, Engine Harness
16	895-18010	6	WASHER, M10 x 18 x 1.6,
17	627-10025	3	BOLT, Hex, M10 x 25, 10.9, Full Thd,
18	832-10408	2	NUT, LOCK, M8 x 1.25, CI 8,
19	295006A1	1	RECEIVER-DRYER, HFC-134a
20	433723A1	2	Bracket, Mounting
21	825-5148	4	NUT, M8, Flg Ser,
22	827-8040	2	BOLT, Hex, M8 x 40, 10.9,
23	86572009	1	CLAMP, 3/8", Insul, 3/8" Bolt,
24	827-8100	4	BOLT, Hex, M8 x 100, 10.9,
25	515-23190	1	CLAMP, 3/4", Insul, 3/8" Bolt,
26	829-1408	6	NUT, M8, CI 10,
27	87366407	1	BELT, Accessory Drive, Alternator & AC
28	844-8020	4	BOLT, Hex Flg, M8 x 20, 8.8,
29	87434395	1	COOLER ASSY., A/C Condensor
30	515-25159	1	CLAMP, 5/8", Insul, 1/2" Bolt,
31	895-11010	4	WASHER, M10 x 20 x 2,
32	829-1410	3	NUT, M10, CI 10,

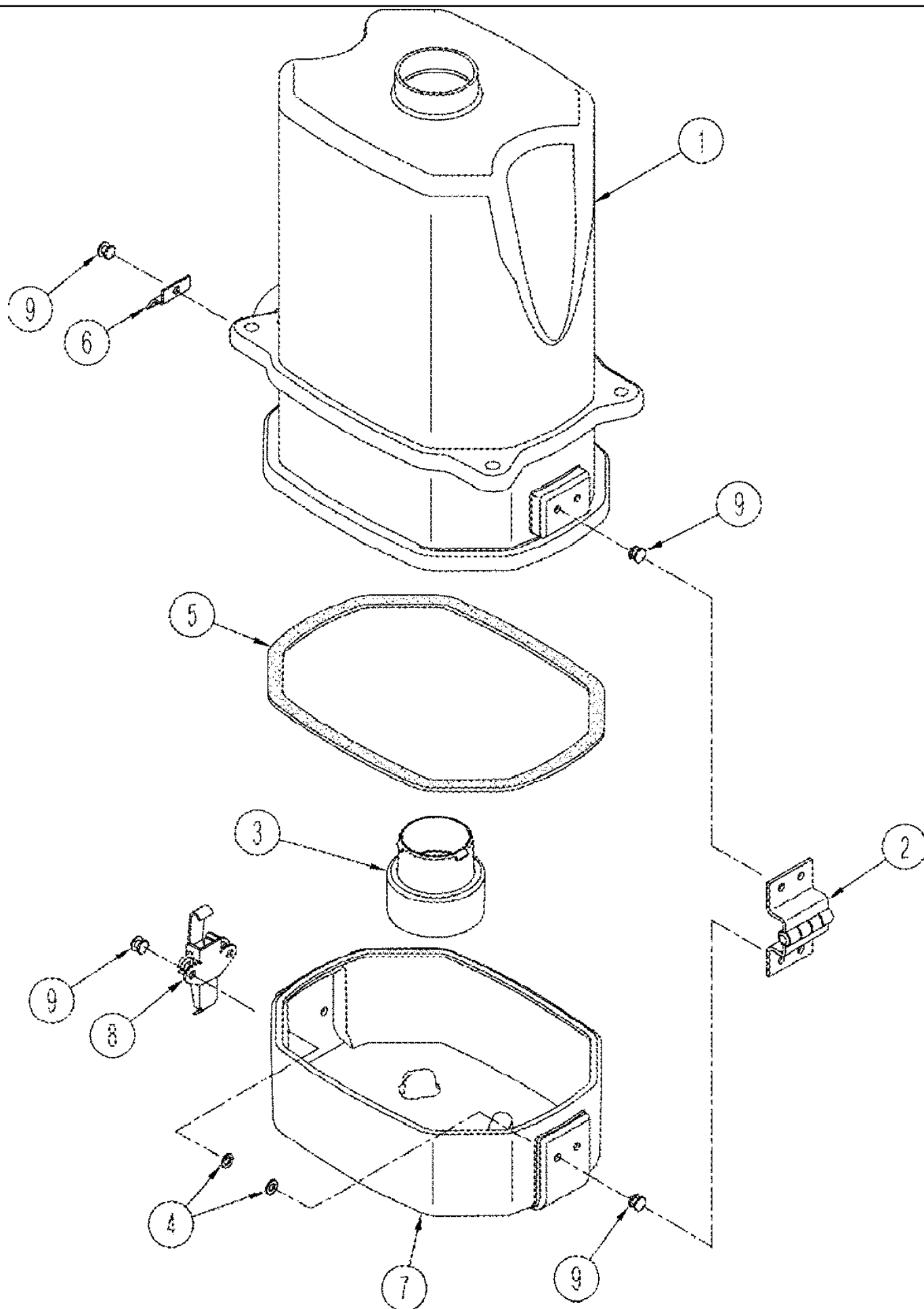


TJ530 TRACTOR (1/06-) - Chassis/Attachments

09-42 AIR CONDITIONING - DUCTS

Ref	Part Number	Qty	Description
1	87365878	1	AIR CONDITIONER, See Figure: 09-45
2	319970A3	1	HOUSING, Air Filter Housing
3	384950A2	1	BRACKET, Support, Air Duct
4	86624176	6	WASHER, M10 x 20 x 2,
5	86500689	6	NUT, M10, CI 10,
6	359586A1	1	SEAL, Filter
7	43362	2	NUT, M8, CI 10,
8	278967A3	1	GASKET, Mounting, Floor Plate
9	NSS	1	NOT SERVICED SEPARATELY, Blower Assy, Suction / Pressurizer, See Figure: 09-44
10	307024A4	1	HOSE, Output
11	87380071	1	HOSE, Air Intake
12	86994156	1	FILTER, AIR, Recirculation
13	86050202	4	CLAMP, HOSE, #32, 1.56/2.50 Type F Worm,
14	86508616	4	BOLT, Hex, M6 x 12, 10.9,
15	86625263	6	WASHER, M8 x 20 x 1.6,
16	86528579	4	NUT, LOCK, M8 x 1.25, CI 10,
17	327851A1	1	DUCT, Air
18	359670A2	1	SEAL, Air Duct
19	328051A2	1	INSULATION, FOAM, RH
20	328052A2	1	INSULATION, FOAM, LH

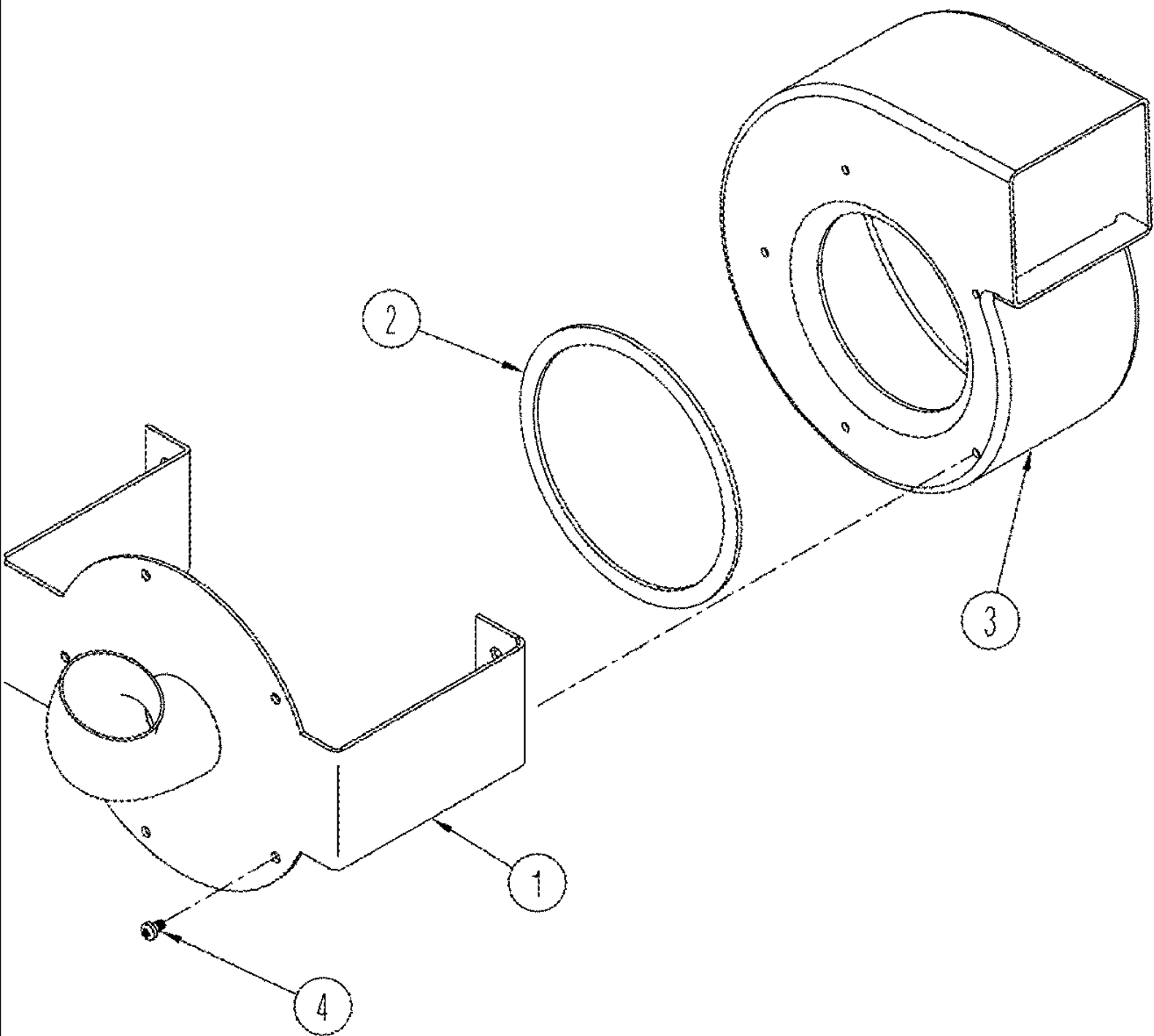
09-43 AIR CONDITIONING - AIR FILTER HOUSING ASSEMBLY



TJ530 TRACTOR (1/06-) - Chassis/Attachments

09-43 AIR CONDITIONING - AIR FILTER HOUSING ASSEMBLY

Ref	Part Number	Qty	Description
	319970A3	1	HOUSING, Air Filter, Inc. 1 - 9
1	NSS	1	NOT SERVICED SEPARATELY, Housing, Filter, Upper
2	319969A1	1	HINGE, Air Filter Housing
3	307016A1	1	COUPLING,
4	86625261	7	WASHER, M5 x 10 x 1,
5	359585A2	1	SEAL, Cut From : 87432208
6	307021A2	1	CLIP,
7	NSS	1	NOT SERVICED SEPARATELY, Housing, Filter, Lower
8	400193A1	1	LATCH, Air Filter Housing
9	86637655	7	RIVET, Pop, 3/16" x .450",

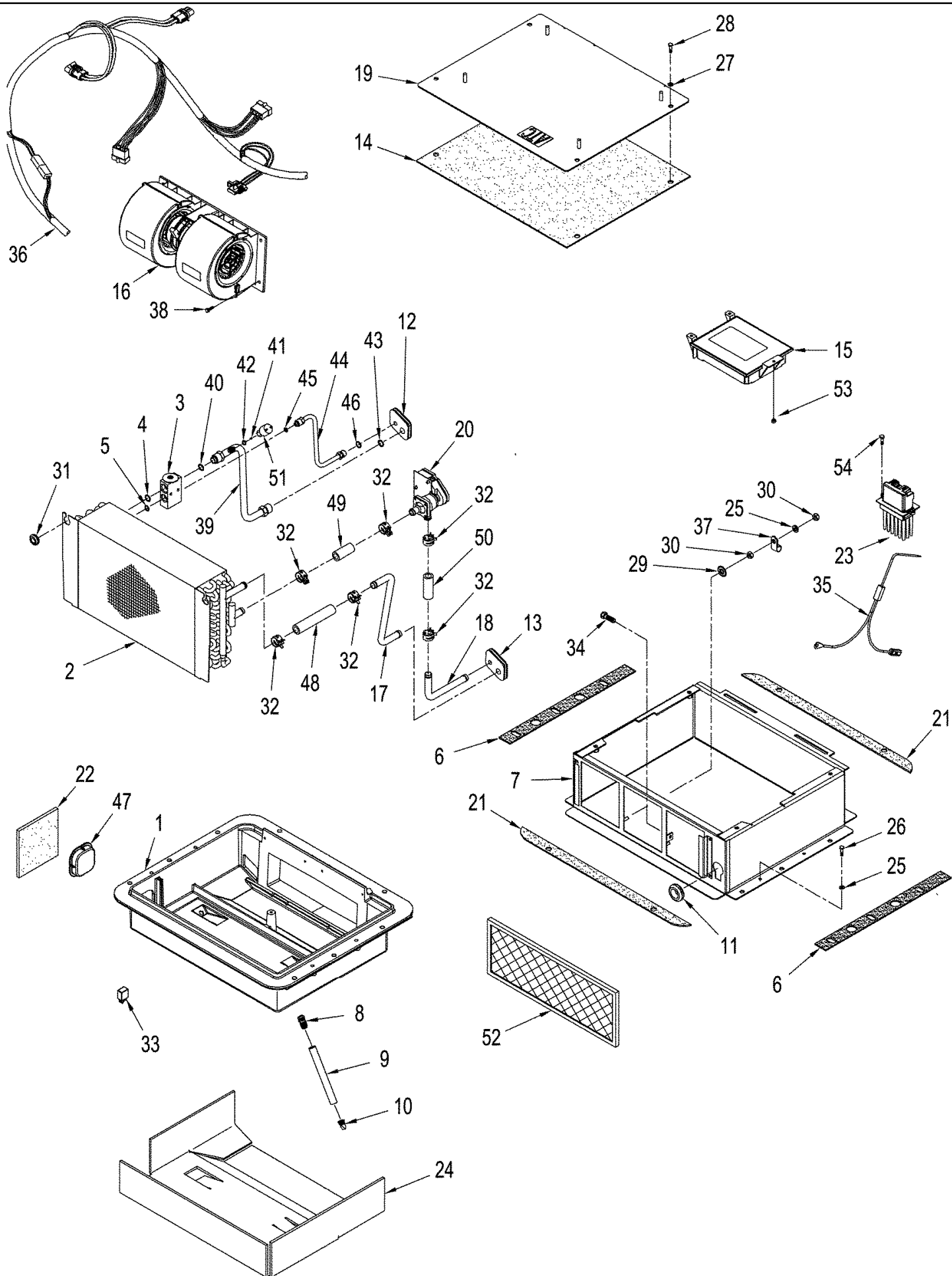


TJ530 TRACTOR (1/06-) - Chassis/Attachments

09-44 AIR CONDITIONING - BLOWER ASSEMBLY

Ref	Part Number	Qty	Description
1	307104A3	1	SUPPORT, Blower
2	313282A1	1	SEAL, Cut From : 187874C1
3	175435A3	1	BLOWER, Suction / Pressurizer
4	86639262	5	SCREW, Cross Pan Hd, M5 x 8,

09-45 AIR CONDITIONING - CLIMATE CONTROL UNIT WITH AUTO TEMP CONTROL



TJ530 TRACTOR (1/06-) - Chassis/Attachments

09-45 AIR CONDITIONING - CLIMATE CONTROL UNIT WITH AUTO TEMP CONTROL

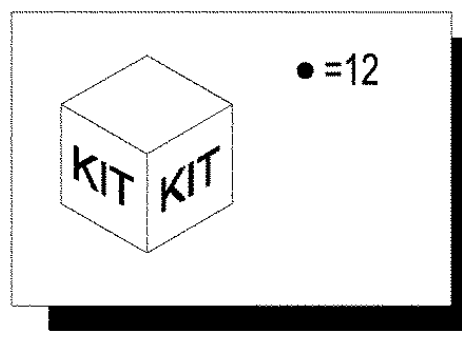
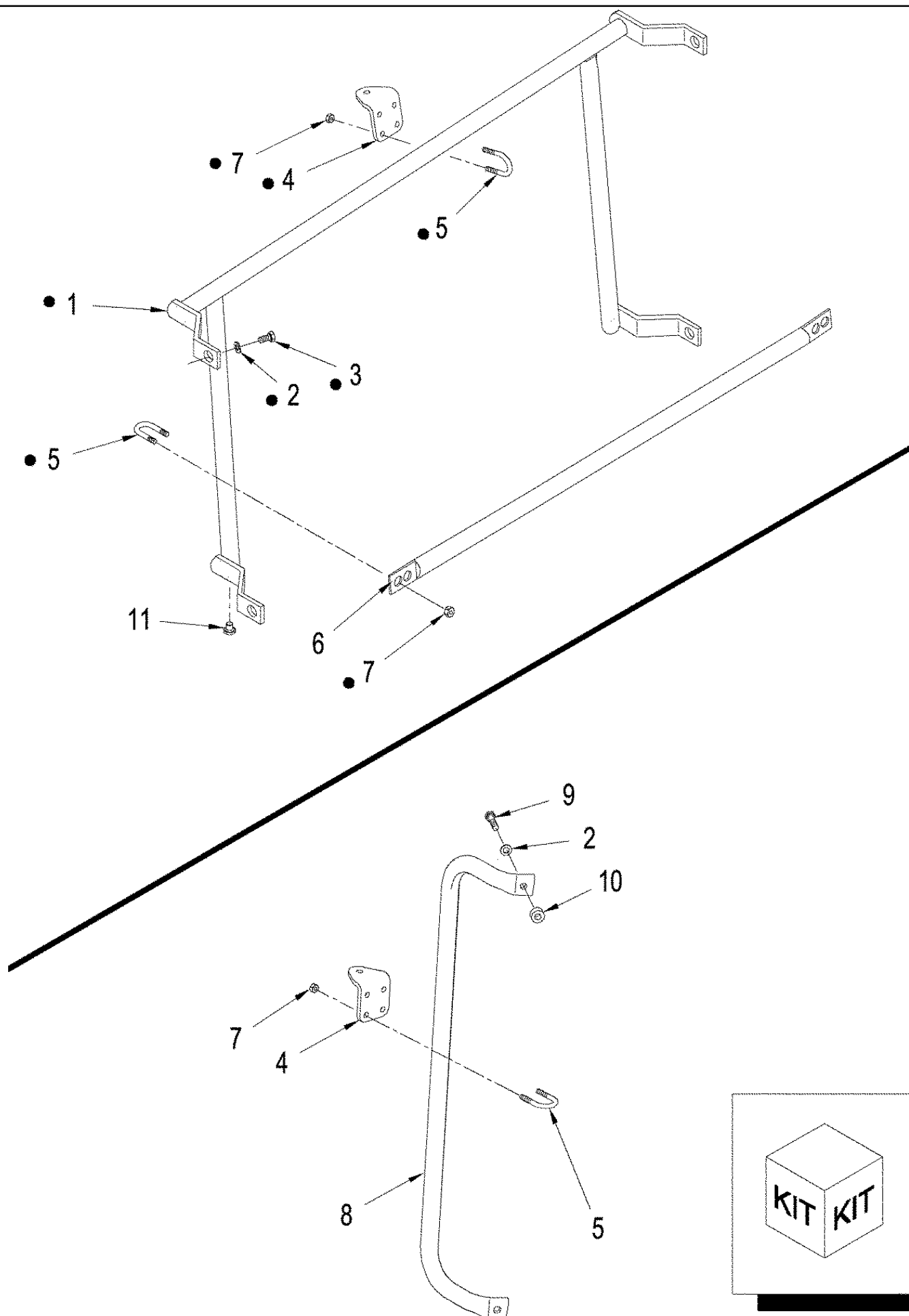
Ref	Part Number	Qty	Description
	87365878	1	AIR CONDITIONER, Inc. 1 - 54
1	322996A1	1	BOX, Air Conditioning, Lower
2	86990262	1	CORE, Evaporator and Heater, Inc. 3 - 5
3	386535A1	1	VALVE, Expansion
4	128485A1	1	O-RING, 9/16" ID x 1/16"
5	128484A1	1	O-RING, 7/16" ID x 1/16"
6	322994A1	4	GASKET, Mounting
7	87306776	1	CASE ASSY.,
8	1250522C3	2	ELBOW,
9	1977334C1	2	HOSE, 610 mm (24-1/8 in), Cut From : 198091CX
10	109239C2	2	VALVE, Check
11	86637781	1	GROMMET, 1" ID x 1 3/8" Groove Dia,
12	322989A1	1	GROMMET,
13	322990A1	1	GROMMET,
14	87324951	1	GASKET, Cover
15	87365492	1	MODULE, Blower Motor, 12V
16	323610A1	1	BLOWER,
17	322985A1	1	PIPE, Outlet
18	322987A1	1	PIPE, Inlet
19	87306495	1	COVER,
20	427356A1	1	VALVE, CONTROL, Regulator
21	322995A1	4	GASKET, Mounting
22	87306773	1	INSULATION, FOAM,
23	87306706	1	TERMINAL CONNECTOR, Linear Blower
24	324484A1	1	INSULATOR,
25	86517328	5	WASHER, LOCK, M6,
26	86508568	4	BOLT, Hex, M6 x 16, 8.8,
27	80681	4	WASHER, LOCK, 5/16",
28	43234	4	BOLT, Hex, M8 x 25, 10.9,
29	88538	1	WASHER, LOCK, Ext-Int Tooth, 1/4",
30	86500688	3	NUT, M6, CI 10,
31	86637777	2	GROMMET, 1/2" ID x 13/16" Groove Dia, Diag Cut,
32	1954736C1	6	CLAMP, HOSE, No. 24
33	87414866	1	RELAY, 20 AMP
34	87454442	1	SENSOR, Thermometer
35	323016A1	1	SENSOR, Temperature
36	87323958	1	HARNESS,
37	86625035	1	CLAMP, 1/2", Insul, 1/4" Bolt,
38	86637791	4	SCREW, SELF TAPPING, Hex Wash Hd, #10 x 3/4",
39	322839A1	1	PIPE, Suction, Inc. 40 - 43
40	128485A1	1	O-RING, 9/16" ID x 1/16"
41	1250594C2	1	CORE,
42	128483A1	1	O-RING, 5/16" ID x 1/16"
43	128485A1	1	O-RING, 5/8" ID x 1/16"
44	322840A1	1	PIPE, Inc. 45, 46

TJ530 TRACTOR (1/06-) - Chassis/Attachments

09-45 AIR CONDITIONING - CLIMATE CONTROL UNIT WITH AUTO TEMP CONTROL

Ref	Part Number	Qty	Description
45	128484A1	1	O-RING, 7/16" ID x 1/16" Thk
46	NSS	1	NOT SERVICED SEPARATELY, 5/16" ID x 1/16"
47	368313A1	1	PLUG, PLASTIC,
48	1321290C2	1	HOSE, 127 mm (5"), Cut From : 97252C1
49	324022A1	1	HOSE, 54 mm (2-1/8"), Cut From : 97252CX
50	324023A1	1	HOSE, 64 mm (2-1/2"), Cut From : 97252CX
51	87323829	1	SWITCH, PRESSURE, A/C, Low Pressure
52	87408707	1	FILTER, Recirculated Air
53	385681	1	NUT, LOCK, M4 x .7, CI 8,
54	86637790	2	SCREW, SELF TAPPING, Hex Wash Hd, #8 x 1/2",

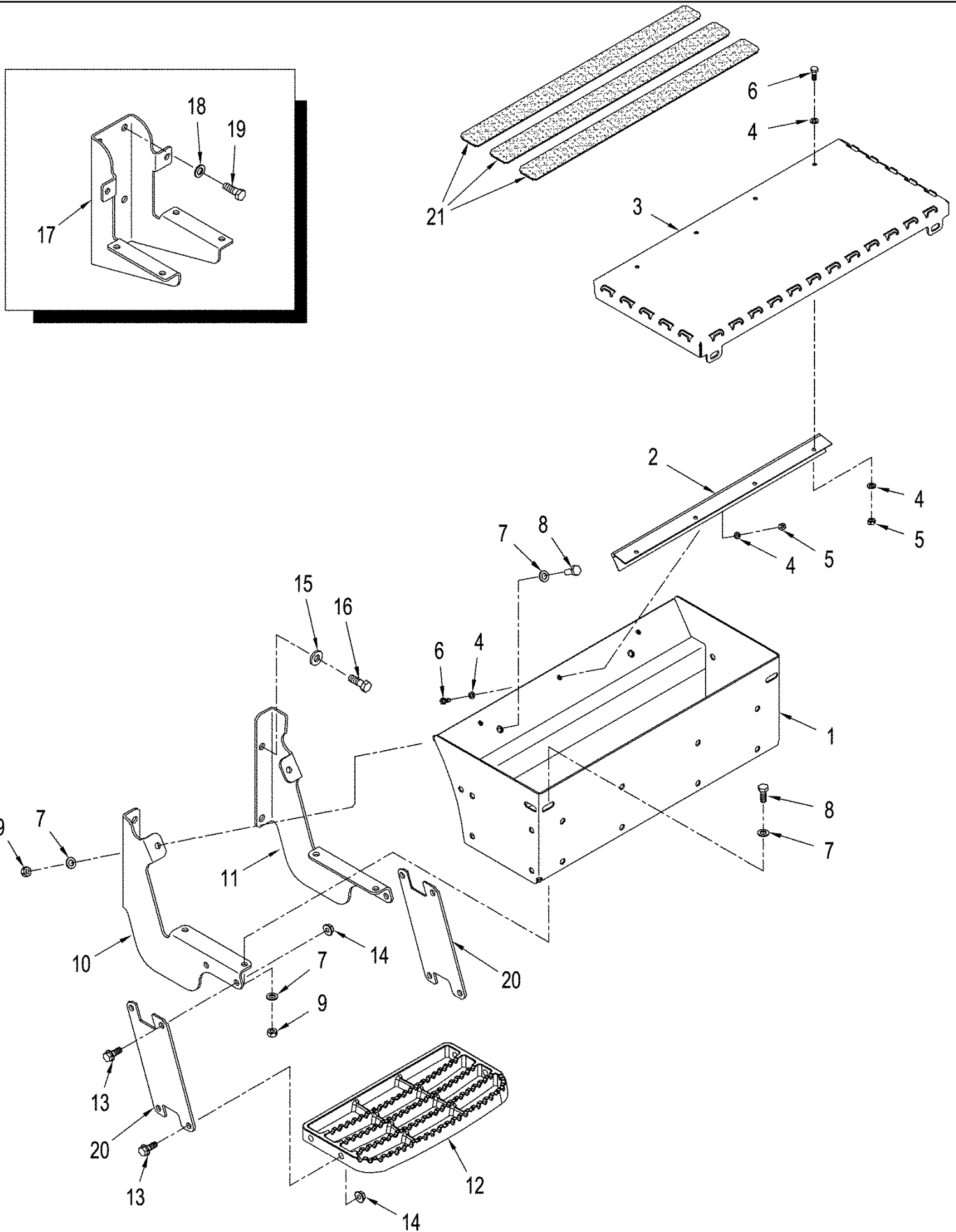
09-48 MONITOR MOUNTING



TJ530 TRACTOR (1/06-) - Chassis/Attachments

09-48 MONITOR MOUNTING

Ref	Part Number	Qty	Description
1	409391A2	1	MOUNTING PARTS, Window Monitor, RH
2	86624184	6	WASHER, M8 x 16 x 1.6,
3	43234	4	BOLT, Hex, M8 x 25, 10.9,
4	87530660	3	MOUNTING PARTS, Angle, Window
5	87526197	6	U-BOLT, 1/4", Inc. Nut
6	443908A1	1	TUBE, Monitor Mount
7	7770	12	NUT, 1/4"-20, G5,
8	369275A1	1	TUBE, A-Post Monitor Mount
9	9780069	2	BOLT, Hex, M8 x 40, 10.9,
10	371838A1	2	SPACER,
11	719516003	1	KIT, Window Monitor Mounting, RH, Inc. 1 - 5, 7
12	353-408	2	PLUG, Dome, .750" hole, Nylon,

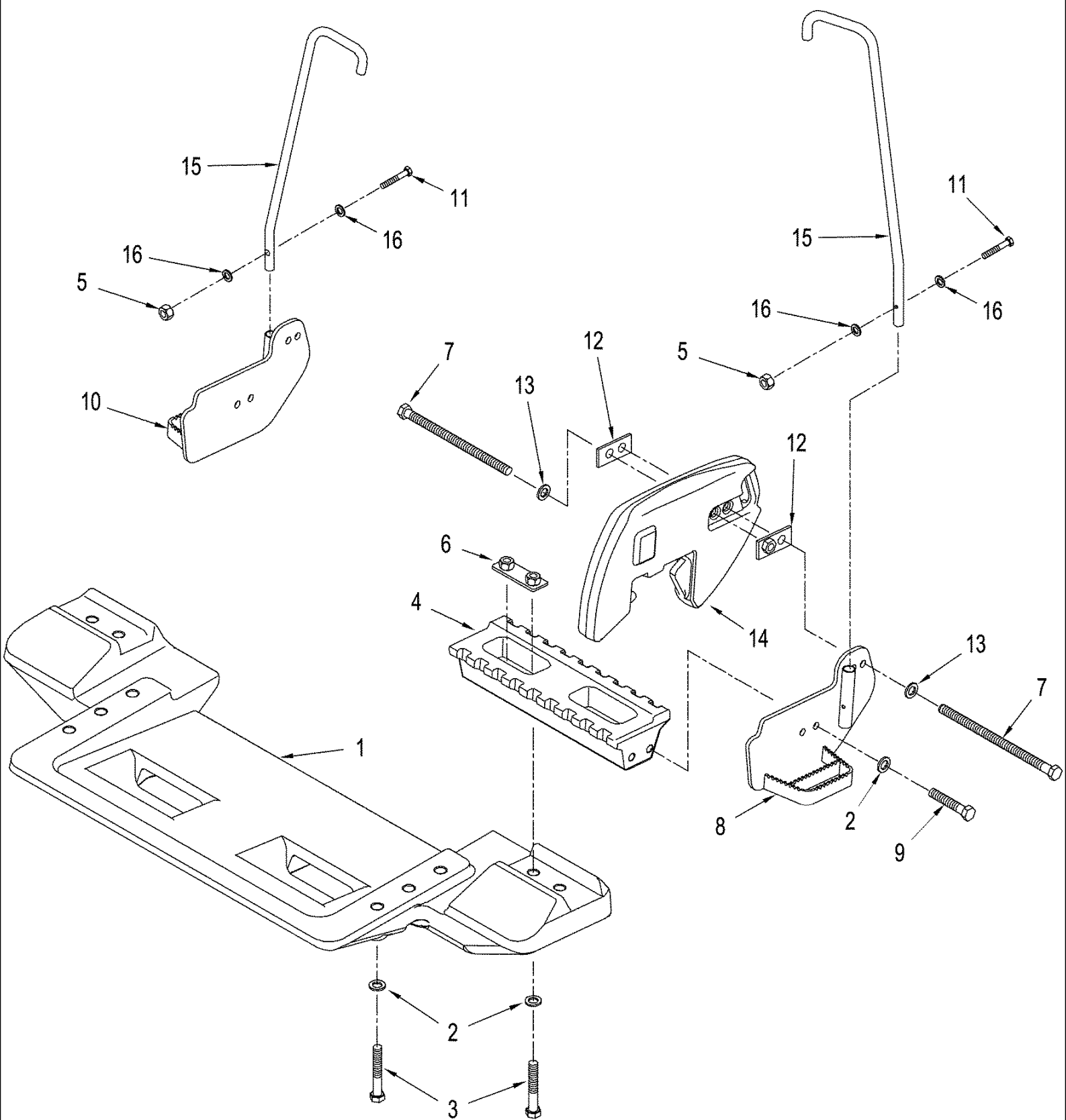


TJ530 TRACTOR (1/06-) - Chassis/Attachments

09-49 STORAGE BOX

Ref	Part Number	Qty	Description
1	87325332	1	BOX, Storage
2	435534A1	1	HINGE, Storage Box
3	87307236	1	STEP, Lower, Storage Box
4	86624181	14	WASHER, M6,
5	393392	7	NUT, LOCK, M6 x 1, CI 8,
6	86639037	7	BOLT, Hex, M6 x 16, 10.9,
7	86624176	12	WASHER, M10 x 20 x 2,
8	9846677	6	BOLT, Hex, M10 x 25, 10.9, Full Thd,
9	86500689	6	NUT, M10, CI 10,
10	410814A1	1	BRACKET, Mounting, Storage Box, Without Weights
11	410815A2	1	BRACKET, Mounting, Storage Box, Without Weights
12	87301185	1	STEP, Lower
13	274251	8	BOLT, Hex Serr Flg, M10 x 25,
14	43435	8	NUT, M10, Flg Ser,
15	86625256	3	WASHER, M12 x 28.5 x 4, HT,
16	9824642	3	BOLT, Hex, M12 x 35, 10.9,
17	410817A1	1	BRACKET, Mounting, Storage Box, With Weights
18	86624177	3	WASHER, M12 x 24 x 2.5,
19	9824642	3	BOLT, Hex, M12 x 35, 10.9,
20	410816A1	2	BRACKET, Mounting, Step
21	87307237	3	STRIP, ANTI-SKID,

09-50 WEIGHTS - FRONT FRAME

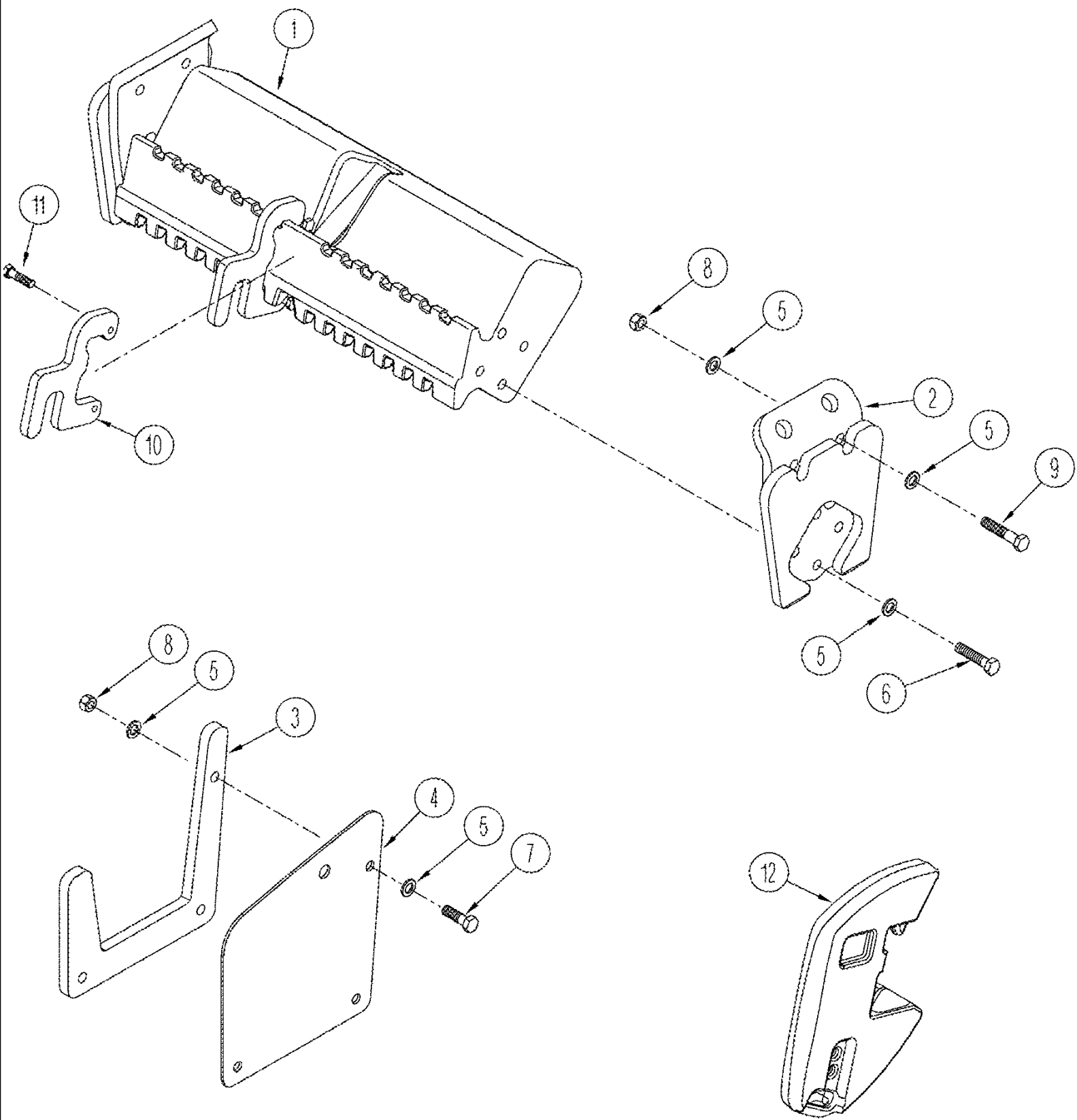


TJ530 TRACTOR (1/06-) - Chassis/Attachments

09-50 WEIGHTS - FRONT FRAME

Ref	Part Number	Qty	Description
1	413310A1	1	HANGER, Weight, T9030 / 9040, TJ380 /430
1	87433786	1	HANGER, Weight, TJ480 / 530, T9050 / 9060
2	86625260	14	WASHER, M20 x 37.5 x 4, HT,
3	86639145	10	BOLT, Hex, M20 x 130, 10.9,
4	413312A1	2	INSERT, Nine Weight
5	86500689	2	NUT, M10, CI 10,
6	413313A1	2	BRACKET, Mounting
7	86639034	4	BOLT, Hex, M16 x 320, 10.9, Full Thd,
8	87309541	1	PLATE, Weight, RH
9	9843495	4	BOLT, Hex, M20 x 60, 10.9,
10	87309542	1	PLATE, Weight, LH
11	86508619	2	BOLT, Hex, M10 x 60, 10.9,
12	229483A1	4	RETAINER, Plate
13	86639326	4	WASHER, M17.5 x 34 x 5, HT,
14	403140A1	AR	WEIGHT, 45Kg (100 lb)
15	413316A1	2	GRAB RAIL,
16	86625252	4	WASHER, M10 x 21.5 x 2.5, HT,

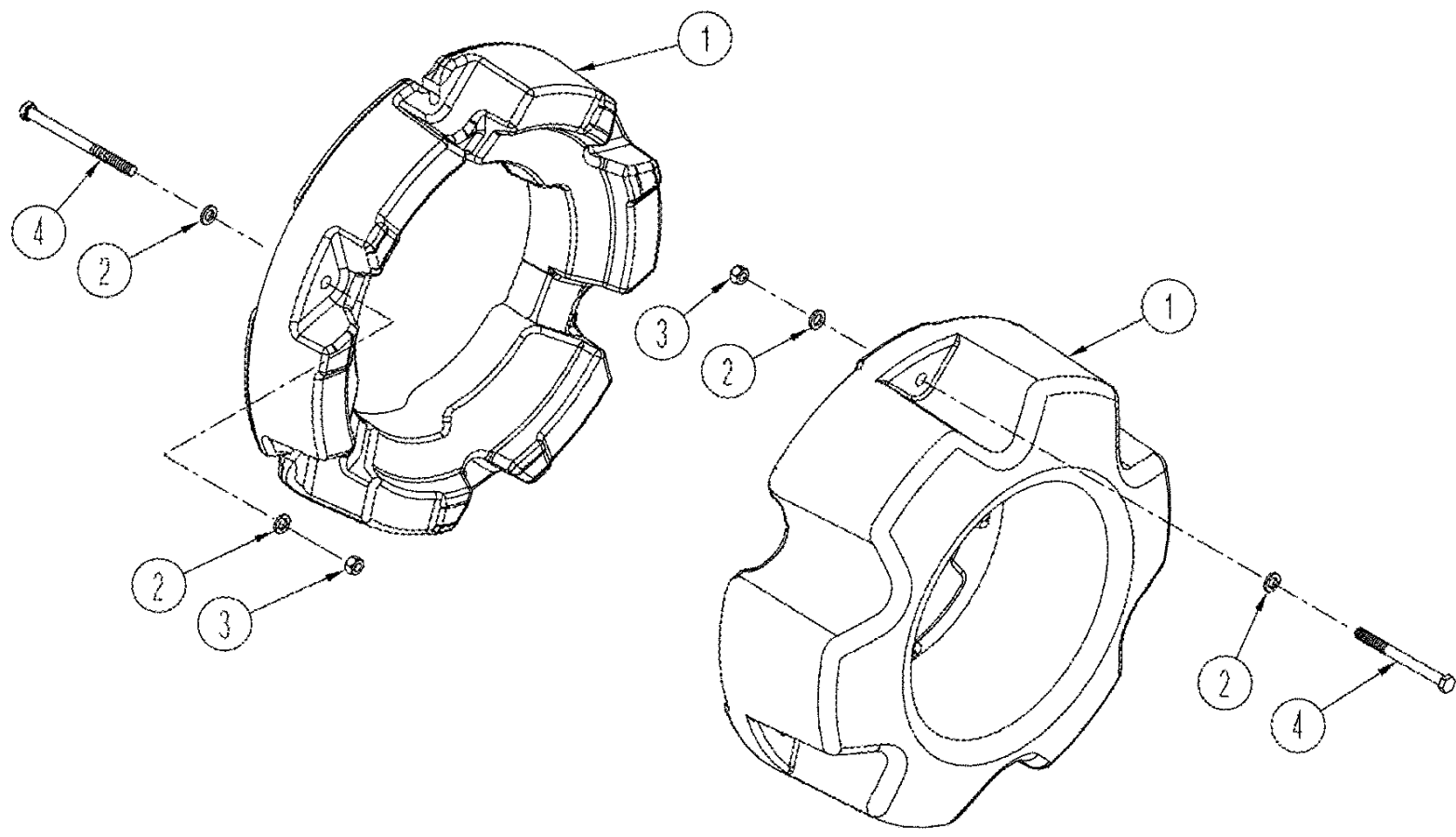
09-51 WEIGHTS - REAR FRAME



TJ530 TRACTOR (1/06-) - Chassis/Attachments

09-51 WEIGHTS - REAR FRAME

Ref	Part Number	Qty	Description
1	413389A1	1	WEIGHT, , Order From Machinery Price List
2	413390A1	2	BRACKET, Support
3	413391A2	2	BRACKET, Support
4	413392A2	2	PLATE,
5	86625260	24	WASHER, M20 x 37.5 x 4, HT,
6	9846950	8	BOLT, Hex, M20 x 90, 10.9,
7	412641	6	BOLT, Hex, M20 x 70, 10.9,
8	9847024	8	NUT, M20, CI 10,
9	9843612	2	BOLT, Hex, M20 x 100, 10.9,
10	413393A1	2	PLATE, Mounting
11	374835	4	BOLT, Hex, M16 x 40, 10.9,
12	403140A1	AR	WEIGHT, 45Kg (100 lb)

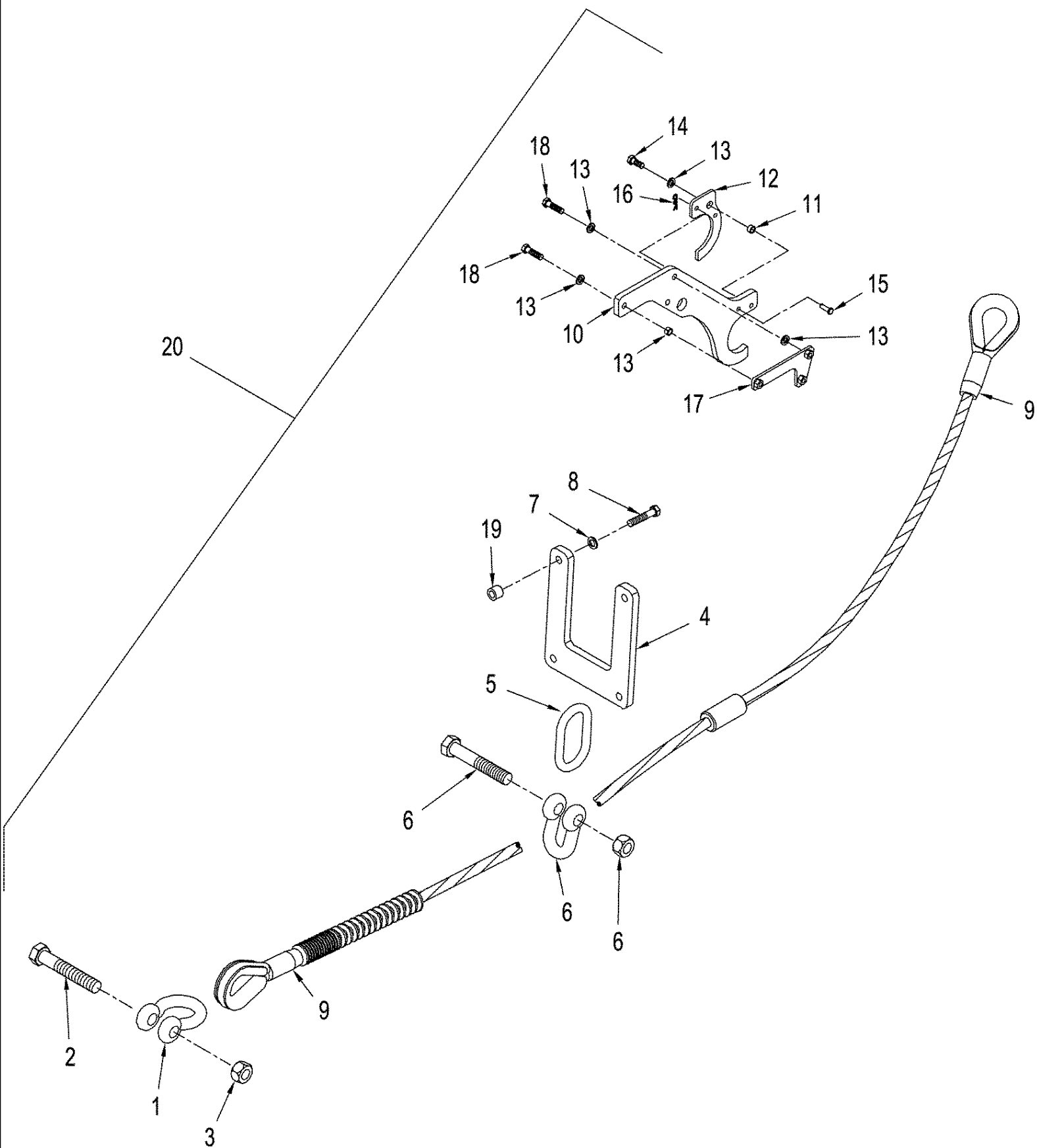


TJ530 TRACTOR (1/06-) - Chassis/Attachments

09-52 WEIGHTS - WHEEL

Ref	Part Number	Qty	Description
1	405829A1	2	WEIGHT, 500 lb, Order From Machinery Price List
1	405830A1	2	WEIGHT, 1000 lb, Order From Machinery Price List
2	86625266	12	WASHER, M17.5 x 30 x 4, HT,
3	412066	6	NUT, LOCK, M16 x 2, CI 8,
4	86639152	6	BOLT, Hex, M16 x 200, 10.9, , Use With 500 lbs. Weight
4	43281	6	BOLT, Hex, M16 x 120, 10.9, , Use With 1000 lbs. Weight

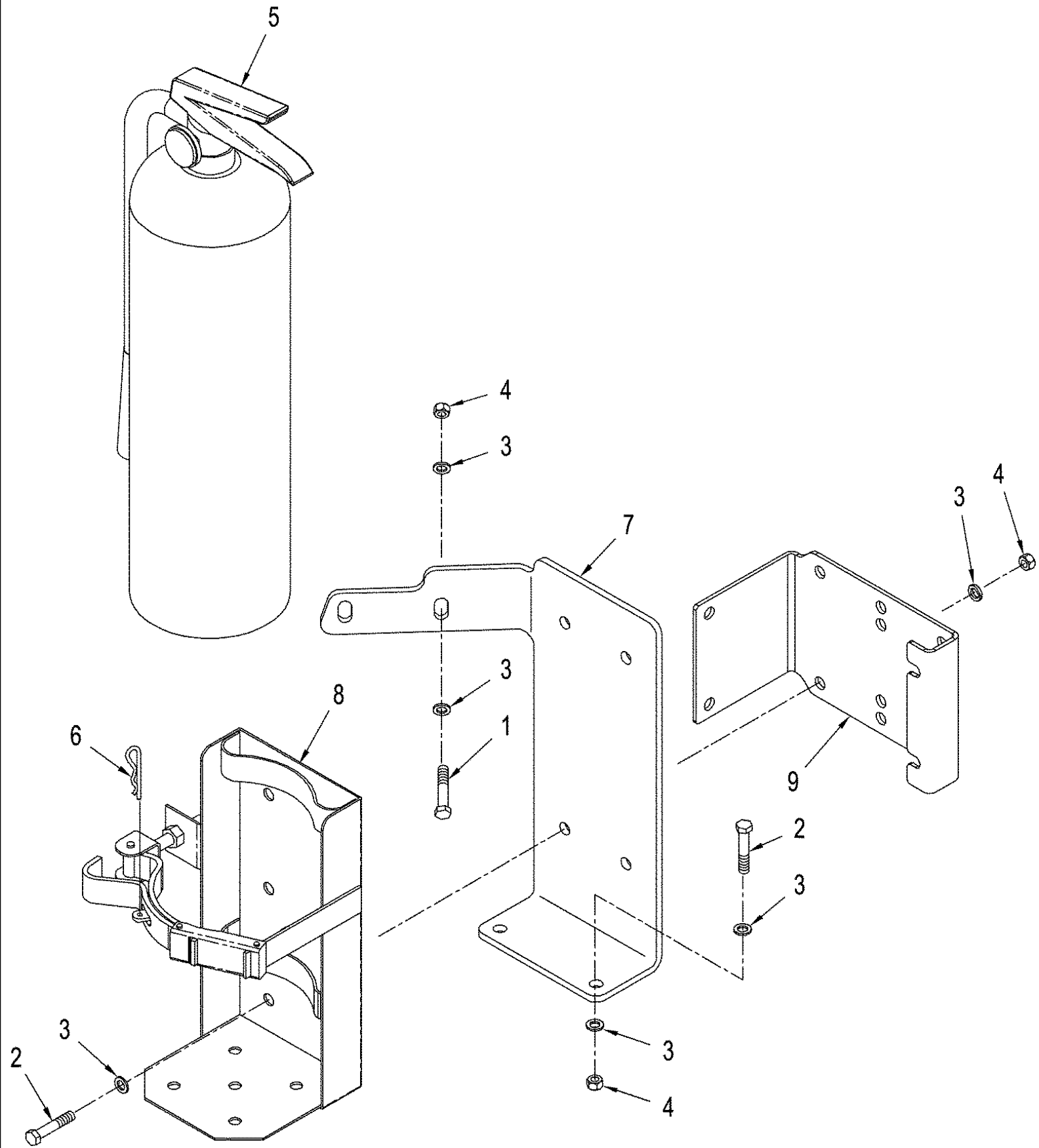
09-53 TOW CABLE



TJ530 TRACTOR (1/06-) - Chassis/Attachments

09-53 TOW CABLE

Ref	Part Number	Qty	Description
1	369837A1	1	SHACKLE,
2	86637794	1	BOLT, Hex, 1 1/2"-6 x 10", G8,
3	86637798	1	NUT, 1 1/2"-6, G8,
4	408793A1	1	PLATE,
5	409753A1	1	LINK,
6	369838A1	1	SHACKLE,
7	86625260	4	WASHER, M20 x 37.5 x 4, HT,
8	9843612	4	BOLT, Hex, M20 x 100, 10.9,
9	379523A1	1	CABLE ASSY., Tow
10	408795A1	1	HOOK, Side
11	435501A1	1	SPACER,
12	408796A1	1	LATCH, Side Hook
13	86639326	7	WASHER, M17.5 x 34 x 5, HT,
14	374835	1	BOLT, Hex, M16 x 40, 10.9,
15	86639102	1	SPLIT PIN/SAFETY PIN, Clevis, 12 x 40 mm
16	435425A1	1	PIN, 1/8"
17	385380A1	1	PLATE ASSY.,
18	9847468	3	BOLT, Hex, M16 x 70, 10.9,
19	409751A1	4	SPACER, M20 x 40, with 450 Series Axle
20	719546003	1	KIT, Tow Cable, Inc. 1 - 19



TJ530 TRACTOR (1/06-) - Chassis/Attachments

09-54 FIRE EXTINGUISHER

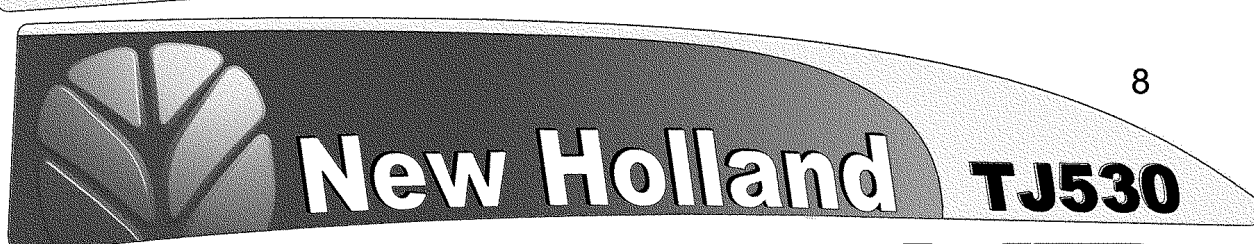
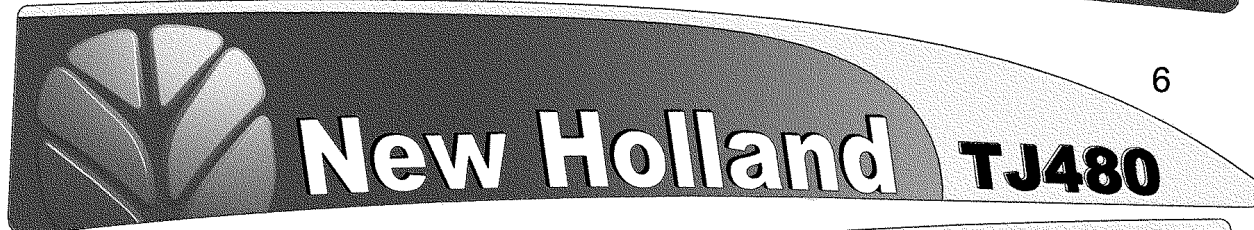
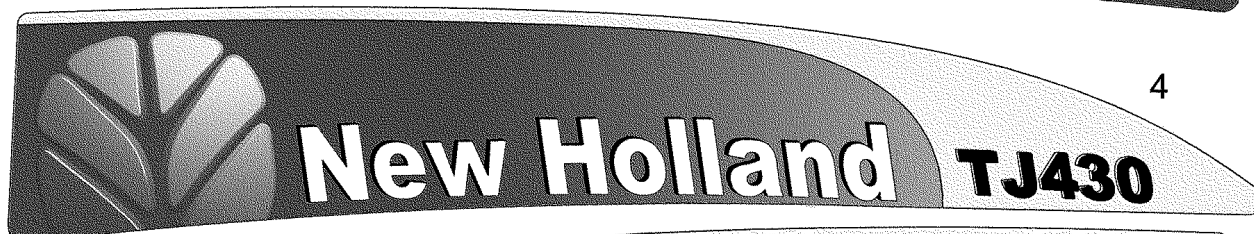
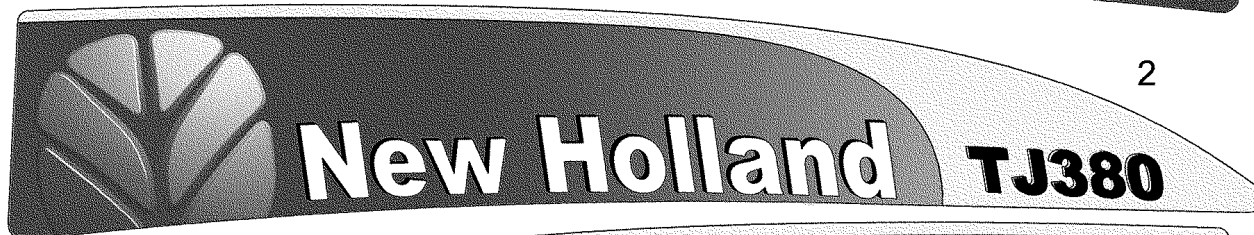
Ref	Part Number	Qty	Description
	719972003	1	DIA KIT, TRACTOR, Fire Extinguisher, Inc. 1 - 9
1	43248	2	BOLT, Hex, M10 x 40, 10.9, Full Thd,
2	9515003	6	BOLT, Hex, M10 x 30, 10.9, Full Thd,
3	86625253	14	WASHER, M11 x 24 x 2,
4	412141	8	NUT, LOCK, M10 x 1.5, Cl 8,
5	NSS	1	NOT SERVICED SEPARATELY, Extinguisher, Fire, 10 lb., ABC
6	1980543C1	1	SPLIT PIN/SAFETY PIN,
7	87417139	1	BRACKET, SUPPORTING, Left-Hand Stair Mount, If Used
8	87427312	1	BRACKET, SUPPORTING, Fender Mount, If Used
9	87420884	1	BRACKET, SUPPORTING, Toolbox Mount, If Used



TJ530 TRACTOR (1/06-) - Chassis/Attachments

09-55 DECALS - HOOD

Ref	Part Number	Qty	Description
1	87365216	1	DECAL, Hood, LH, TJ380
2	87365220	1	DECAL, Hood, RH, TJ380
3	87365221	1	DECAL, Hood, LH, TJ430
4	87365222	1	DECAL, Hood, RH, TJ430
5	87365223	1	DECAL, Hood, LH, TJ480
6	87365224	1	DECAL, Hood, RH, TJ480
7	441882A1	2	DECAL, Heavy Duty, TJ380
8	87365225	1	DECAL, Hood, LH, TJ530
9	87365226	1	DECAL, Hood, RH, TJ530



TJ530 TRACTOR (1/06-) - Chassis/Attachments

09-55(01) DECALS - HOOD

Ref	Part Number	Qty	Description
1	87602237	1	DECAL, Hood, LH, TJ380
2	87602238	1	DECAL, Hood, RH, TJ380
3	87602241	1	DECAL, Hood, LH, TJ430
4	87602242	1	DECAL, Hood, RH, TJ430
5	87602244	1	DECAL, Hood, LH, TJ480
6	87602246	1	DECAL, Hood, RH, TJ480
7	87602247	1	DECAL, Hood, LH, TJ530
8	87602249	1	DECAL, Hood, RH, TJ530
9	441882A1	2	DECAL, Heavy Duty

WARNING

AVOID INJURY OR DEATH

BEFORE STARTING ENGINE:

1. Read the operator's manual for safety information and operating instructions.
2. Read all tractor safety signs.
3. Be sure other people are clear of tractor and equipment.
4. Start engine only from seat.
5. Shields are for your protection. Keep them in place.

OPERATION:

1. Always buckle and adjust seat belt.
2. No riders on tractor or equipment.
3. Training seat for training operators only. do not allow children to ride or operate tractor.
4. Keep hands, feet and clothing away from power driven parts.
5. For road travel, use flashing warning lamps and keep the SMV emblem visible.
6. Do not pull with elastic tow ropes. Elastic stores energy and sudden release will cause an uncontrolled rope recoil.
7. Stay clear of hinge area when engine is running. Never turn steering wheel unless everyone is clear of equipment.

TRACTORS CAN BE UPSET:

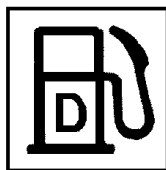
1. Reduce speed on turns and rough ground.
2. Avoid steep slopes.
3. Avoid rear upset. Pull only from drawbar, never higher.

WHEN TRACTOR HAS STOPPED:

1. Engage park brake.
2. Lower implement to ground.
3. Disengage PTO, stop engine and wait for all movement to stop before servicing or cleaning equipment.

328726A1

1



3

2

WARNING

NO CLEARANCE FOR PERSON WHEN TRACTOR TURNS

TO PREVENT PERSONAL INJURY:

Stay clear of hinge area when engine is running. Shut off engine before servicing hinge area. Install articulation cylinder locking blocks before lifting tractor, transporting tractor on another vehicle, performing maintenance in hinge area or operating stationary PTO equipment. Be sure to remove locking blocks before driving tractor. Keep driveline shields in place.

328726B2

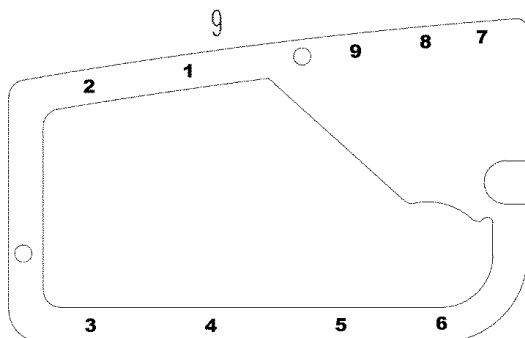
4

WARNING

ENTANGLEMENT HAZARD KEEP CLEAR

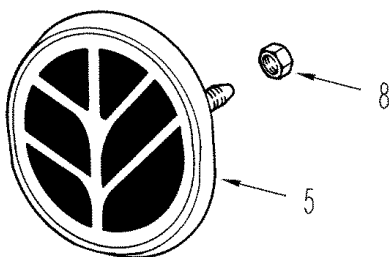
- Always keep PTO driveline shields in place to avoid entanglement.
- Be sure implements are matched to tractor PTO speeds.
- Center and lock drawbar when using PTO.

328726C4



9

6



8

5

ITEM NUMBER	COMPONENT IDENTIFICATION
1	ELECTRONIC POWER
2	START SOLENOID RELAY
3	START MOTOR
4	START MOTOR POWER RELAY
5	IGNITION RELAY
6	IGNITION POWER RELAY
7	IGNITION STOP RELAY
8	IGNITION STOP LOCK RELAY
9	IGNITION STOP RELAY
10	IGNITION STOP LOCK RELAY
11	IGNITION STOP RELAY
12	IGNITION STOP LOCK RELAY
13	IGNITION STOP RELAY
14	IGNITION STOP LOCK RELAY
15	IGNITION STOP RELAY
16	IGNITION STOP LOCK RELAY
17	IGNITION STOP RELAY
18	IGNITION STOP LOCK RELAY
19	IGNITION STOP RELAY
20	IGNITION STOP LOCK RELAY
21	IGNITION STOP RELAY
22	IGNITION STOP LOCK RELAY
23	IGNITION STOP RELAY
24	IGNITION STOP LOCK RELAY
25	IGNITION STOP RELAY
26	IGNITION STOP LOCK RELAY
27	IGNITION STOP RELAY
28	IGNITION STOP LOCK RELAY
29	IGNITION STOP RELAY
30	IGNITION STOP LOCK RELAY
31	IGNITION STOP RELAY
32	IGNITION STOP LOCK RELAY
33	IGNITION STOP RELAY
34	IGNITION STOP LOCK RELAY
35	IGNITION STOP RELAY
36	IGNITION STOP LOCK RELAY
37	IGNITION STOP RELAY
38	IGNITION STOP LOCK RELAY
39	IGNITION STOP RELAY
40	IGNITION STOP LOCK RELAY
41	IGNITION STOP RELAY
42	IGNITION STOP LOCK RELAY
43	IGNITION STOP RELAY
44	IGNITION STOP LOCK RELAY
45	IGNITION STOP RELAY
46	IGNITION STOP LOCK RELAY
47	IGNITION STOP RELAY
48	IGNITION STOP LOCK RELAY
49	IGNITION STOP RELAY
50	IGNITION STOP LOCK RELAY
51	IGNITION STOP RELAY
52	IGNITION STOP LOCK RELAY
53	IGNITION STOP RELAY
54	IGNITION STOP LOCK RELAY
55	IGNITION STOP RELAY
56	IGNITION STOP LOCK RELAY
57	IGNITION STOP RELAY
58	IGNITION STOP LOCK RELAY
59	IGNITION STOP RELAY
60	IGNITION STOP LOCK RELAY
61	IGNITION STOP RELAY
62	IGNITION STOP LOCK RELAY
63	IGNITION STOP RELAY
64	IGNITION STOP LOCK RELAY
65	IGNITION STOP RELAY
66	IGNITION STOP LOCK RELAY
67	IGNITION STOP RELAY
68	IGNITION STOP LOCK RELAY
69	IGNITION STOP RELAY
70	IGNITION STOP LOCK RELAY
71	IGNITION STOP RELAY
72	IGNITION STOP LOCK RELAY
73	IGNITION STOP RELAY
74	IGNITION STOP LOCK RELAY
75	IGNITION STOP RELAY
76	IGNITION STOP LOCK RELAY
77	IGNITION STOP RELAY
78	IGNITION STOP LOCK RELAY
79	IGNITION STOP RELAY
80	IGNITION STOP LOCK RELAY
81	IGNITION STOP RELAY
82	IGNITION STOP LOCK RELAY
83	IGNITION STOP RELAY
84	IGNITION STOP LOCK RELAY
85	IGNITION STOP RELAY
86	IGNITION STOP LOCK RELAY
87	IGNITION STOP RELAY
88	IGNITION STOP LOCK RELAY
89	IGNITION STOP RELAY
90	IGNITION STOP LOCK RELAY
91	IGNITION STOP RELAY
92	IGNITION STOP LOCK RELAY
93	IGNITION STOP RELAY
94	IGNITION STOP LOCK RELAY
95	IGNITION STOP RELAY
96	IGNITION STOP LOCK RELAY
97	IGNITION STOP RELAY
98	IGNITION STOP LOCK RELAY
99	IGNITION STOP RELAY
100	IGNITION STOP LOCK RELAY

FUSE BLOCK 2

FUSE NUMBER	AMPERE SIZE	CIRCUIT IDENTIFICATION
1	20	IGNITION STOP RELAY
2	20	IGNITION STOP LOCK RELAY
3	20	IGNITION STOP RELAY
4	20	IGNITION STOP LOCK RELAY
5	20	IGNITION STOP RELAY
6	20	IGNITION STOP LOCK RELAY
7	20	IGNITION STOP RELAY
8	20	IGNITION STOP LOCK RELAY
9	20	IGNITION STOP RELAY
10	20	IGNITION STOP LOCK RELAY
11	20	IGNITION STOP RELAY
12	20	IGNITION STOP LOCK RELAY
13	20	IGNITION STOP RELAY
14	20	IGNITION STOP LOCK RELAY
15	20	IGNITION STOP RELAY
16	20	IGNITION STOP LOCK RELAY
17	20	IGNITION STOP RELAY
18	20	IGNITION STOP LOCK RELAY
19	20	IGNITION STOP RELAY
20	20	IGNITION STOP LOCK RELAY
21	20	IGNITION STOP RELAY
22	20	IGNITION STOP LOCK RELAY
23	20	IGNITION STOP RELAY
24	20	IGNITION STOP LOCK RELAY
25	20	IGNITION STOP RELAY
26	20	IGNITION STOP LOCK RELAY
27	20	IGNITION STOP RELAY
28	20	IGNITION STOP LOCK RELAY
29	20	IGNITION STOP RELAY
30	20	IGNITION STOP LOCK RELAY
31	20	IGNITION STOP RELAY
32	20	IGNITION STOP LOCK RELAY
33	20	IGNITION STOP RELAY
34	20	IGNITION STOP LOCK RELAY
35	20	IGNITION STOP RELAY
36	20	IGNITION STOP LOCK RELAY
37	20	IGNITION STOP RELAY
38	20	IGNITION STOP LOCK RELAY
39	20	IGNITION STOP RELAY
40	20	IGNITION STOP LOCK RELAY
41	20	IGNITION STOP RELAY
42	20	IGNITION STOP LOCK RELAY
43	20	IGNITION STOP RELAY
44	20	IGNITION STOP LOCK RELAY
45	20	IGNITION STOP RELAY
46	20	IGNITION STOP LOCK RELAY
47	20	IGNITION STOP RELAY
48	20	IGNITION STOP LOCK RELAY
49	20	IGNITION STOP RELAY
50	20	IGNITION STOP LOCK RELAY
51	20	IGNITION STOP RELAY
52	20	IGNITION STOP LOCK RELAY
53	20	IGNITION STOP RELAY
54	20	IGNITION STOP LOCK RELAY
55	20	IGNITION STOP RELAY
56	20	IGNITION STOP LOCK RELAY
57	20	IGNITION STOP RELAY
58	20	IGNITION STOP LOCK RELAY
59	20	IGNITION STOP RELAY
60	20	IGNITION STOP LOCK RELAY
61	20	IGNITION STOP RELAY
62	20	IGNITION STOP LOCK RELAY
63	20	IGNITION STOP RELAY
64	20	IGNITION STOP LOCK RELAY
65	20	IGNITION STOP RELAY
66	20	IGNITION STOP LOCK RELAY
67	20	IGNITION STOP RELAY
68	20	IGNITION STOP LOCK RELAY
69	20	IGNITION STOP RELAY
70	20	IGNITION STOP LOCK RELAY
71	20	IGNITION STOP RELAY
72	20	IGNITION STOP LOCK RELAY
73	20	IGNITION STOP RELAY
74	20	IGNITION STOP LOCK RELAY
75	20	IGNITION STOP RELAY
76	20	IGNITION STOP LOCK RELAY
77	20	IGNITION STOP RELAY
78	20	IGNITION STOP LOCK RELAY
79	20	IGNITION STOP RELAY
80	20	IGNITION STOP LOCK RELAY
81	20	IGNITION STOP RELAY
82	20	IGNITION STOP LOCK RELAY
83	20	IGNITION STOP RELAY
84	20	IGNITION STOP LOCK RELAY
85	20	IGNITION STOP RELAY
86	20	IGNITION STOP LOCK RELAY
87	20	IGNITION STOP RELAY
88	20	IGNITION STOP LOCK RELAY
89	20	IGNITION STOP RELAY
90	20	IGNITION STOP LOCK RELAY
91	20	IGNITION STOP RELAY
92	20	IGNITION STOP LOCK RELAY
93	20	IGNITION STOP RELAY
94	20	IGNITION STOP LOCK RELAY
95	20	IGNITION STOP RELAY
96	20	IGNITION STOP LOCK RELAY
97	20	IGNITION STOP RELAY
98	20	IGNITION STOP LOCK RELAY
99	20	IGNITION STOP RELAY
100	20	IGNITION STOP LOCK RELAY

874253B

7

ITEM NUMBER	COMPONENT IDENTIFICATION
1	ELECTRONIC POWER
2	START SOLENOID RELAY
3	START MOTOR
4	START MOTOR POWER RELAY
5	IGNITION RELAY
6	IGNITION POWER RELAY
7	IGNITION STOP RELAY
8	IGNITION STOP LOCK RELAY
9	IGNITION STOP RELAY
10	IGNITION STOP LOCK RELAY
11	IGNITION STOP RELAY
12	IGNITION STOP LOCK RELAY
13	IGNITION STOP RELAY
14	IGNITION STOP LOCK RELAY
15	IGNITION STOP RELAY
16	IGNITION STOP LOCK RELAY
17	IGNITION STOP RELAY
18	IGNITION STOP LOCK RELAY
19	IGNITION STOP RELAY
20	IGNITION STOP LOCK RELAY
21	IGNITION STOP RELAY
22	IGNITION STOP LOCK RELAY
23	IGNITION STOP RELAY
24	IGNITION STOP LOCK RELAY
25	IGNITION STOP RELAY
26	IGNITION STOP LOCK RELAY
27	IGNITION STOP RELAY
28	IGNITION STOP LOCK RELAY
29	IGNITION STOP RELAY
30	IGNITION STOP LOCK RELAY
31	IGNITION STOP RELAY
32	IGNITION STOP LOCK RELAY
33	IGNITION STOP RELAY
34	IGNITION STOP LOCK RELAY
35	IGNITION STOP RELAY
36	IGNITION STOP LOCK RELAY
37	IGNITION STOP RELAY
38	IGNITION STOP LOCK RELAY
39	IGNITION STOP RELAY
40	IGNITION STOP LOCK RELAY
41	IGNITION STOP RELAY
42	IGNITION STOP LOCK RELAY
43	IGNITION STOP RELAY
44	IGNITION STOP LOCK RELAY
45	IGNITION STOP RELAY
46	IGNITION STOP LOCK RELAY
47	IGNITION STOP RELAY
48	IGNITION STOP LOCK RELAY
49	IGNITION STOP RELAY
50	IGNITION STOP LOCK RELAY
51	IGNITION STOP RELAY
52	IGNITION STOP LOCK RELAY
53	IGNITION STOP RELAY
54	IGNITION STOP LOCK RELAY
55	IGNITION STOP RELAY
56	IGNITION STOP LOCK RELAY
57	IGNITION STOP RELAY
58	IGNITION STOP LOCK RELAY
59	IGNITION STOP RELAY
60	IGNITION STOP LOCK RELAY
61	IGNITION STOP RELAY
62	IGNITION STOP LOCK RELAY
63	IGNITION STOP RELAY
64	IGNITION STOP LOCK RELAY
65	IGNITION STOP RELAY
66	IGNITION STOP LOCK RELAY
67	IGNITION STOP RELAY
68	IGNITION STOP LOCK RELAY
69	IGNITION STOP RELAY
70	IGNITION STOP LOCK RELAY
71	IGNITION STOP RELAY
72	IGNITION STOP LOCK RELAY
73	IGNITION STOP RELAY
74	IGNITION STOP LOCK RELAY
75	IGNITION STOP RELAY
76	IGNITION STOP LOCK RELAY
77	IGNITION STOP RELAY
78	IGNITION STOP LOCK RELAY
79	IGNITION STOP RELAY
80	IGNITION STOP LOCK RELAY
81	IGNITION STOP RELAY
82	IGNITION STOP LOCK RELAY
83	IGNITION STOP RELAY
84	IGNITION STOP LOCK RELAY
85	IGNITION STOP RELAY
86	IGNITION STOP LOCK RELAY
87	IGNITION STOP RELAY
88	IGNITION STOP LOCK RELAY
89	IGNITION STOP RELAY
90	IGNITION STOP LOCK RELAY
91	IGNITION STOP RELAY
92	IGNITION STOP LOCK RELAY
93	IGNITION STOP RELAY
94	IGNITION STOP LOCK RELAY
95	IGNITION STOP RELAY
96	IGNITION STOP LOCK RELAY
97	IGNITION STOP RELAY
98	IGNITION STOP LOCK RELAY
99	IGNITION STOP RELAY
100	IGNITION STOP LOCK RELAY

FUSE BLOCK 2

FUSE NUMBER	AMPERE SIZE	CIRCUIT IDENTIFICATION
1	20	IGNITION STOP RELAY
2	20	IGNITION STOP LOCK RELAY
3	20	IGNITION STOP RELAY
4	20	IGNITION STOP LOCK RELAY
5	20	IGNITION STOP RELAY
6	20	IGNITION STOP LOCK RELAY
7	20	IGNITION STOP RELAY
8	20	IGNITION STOP LOCK RELAY
9	20	IGNITION STOP RELAY
10	20	IGNITION STOP LOCK RELAY
11	20	IGNITION STOP RELAY
12	20	IGNITION STOP LOCK RELAY
13	20	IGNITION STOP RELAY
14	20	IGNITION STOP LOCK RELAY
15	20	IGNITION STOP RELAY
16	20	IGNITION STOP LOCK RELAY
17	20	IGNITION STOP RELAY
18	20	IGNITION STOP LOCK RELAY
19	20	IGNITION STOP RELAY
20	20	IGNITION STOP LOCK RELAY
21	20	IGNITION STOP RELAY
22	20	IGNITION STOP LOCK RELAY
23	20	IGNITION STOP RELAY
24	20	IGNITION STOP LOCK RELAY
25	20	IGNITION STOP RELAY
26	20	IGNITION STOP LOCK RELAY
27	20	IGNITION STOP RELAY
28	20	IGNITION STOP LOCK RELAY
29	20	IGNITION STOP RELAY
30	20	IGNITION STOP LOCK RELAY
31	20	IGNITION STOP RELAY
32	20	IGNITION STOP LOCK RELAY
33	20	IGNITION STOP RELAY
34	20	IGNITION STOP LOCK RELAY
35	20	IGNITION STOP RELAY
36	20	IGNITION STOP LOCK RELAY
37	20	IGNITION STOP RELAY
38	20	IGNITION STOP LOCK RELAY
39	20	IGNITION STOP RELAY
40	20	IGNITION STOP LOCK RELAY
41	20	IGNITION STOP RELAY
42	20	IGNITION STOP LOCK RELAY
43	20	IGNITION STOP RELAY
44	20	IGNITION STOP LOCK RELAY
45	20	IGNITION STOP RELAY
46	20	IGNITION STOP LOCK RELAY
47	20	IGNITION STOP RELAY
48	20	IGNITION STOP LOCK RELAY
49	20	IGNITION STOP RELAY
50	20	IGNITION STOP LOCK RELAY
51	20	IGNITION STOP RELAY
52	20	IGNITION STOP LOCK RELAY
53	20	IGNITION STOP RELAY
54	20	IGNITION STOP LOCK RELAY
55	20	IGNITION STOP RELAY
56	20	IGNITION STOP LOCK RELAY
57	20	IGNITION STOP RELAY
58	20	IGNITION STOP LOCK RELAY
59	20	IGNITION STOP RELAY
60	20	IGNITION STOP LOCK RELAY
61	20	IGNITION STOP RELAY
62	20	IGNITION STOP LOCK RELAY
63	20	IGNITION STOP RELAY
64	20	IGNITION STOP LOCK RELAY
65	20	IGNITION STOP RELAY
66	20	IGNITION STOP LOCK RELAY
67	20	IGNITION STOP RELAY
68	20	IGNITION STOP LOCK RELAY
69	20	IGNITION STOP RELAY
70	20	IGNITION STOP LOCK RELAY
71	20	IGNITION STOP RELAY
72	20	IGNITION STOP LOCK RELAY
73	20	IGNITION STOP RELAY
74	20	IGNITION STOP LOCK RELAY
75	20	IGNITION STOP RELAY
76	20	IGNITION STOP LOCK RELAY
77	20	IGNITION STOP RELAY
78	20	IGNITION STOP LOCK RELAY
79	20	IGNITION STOP RELAY
80	20	IGNITION STOP LOCK RELAY
81	20	IGNITION STOP RELAY
82	20	IGNITION STOP LOCK RELAY
83	20	IGNITION STOP RELAY
84	20	IGNITION STOP LOCK RELAY
85	20	IGNITION STOP RELAY
86	20	IGNITION STOP LOCK RELAY
87	20	IGNITION STOP RELAY
88	20	IGNITION STOP LOCK RELAY
89	20	IGNITION STOP RELAY
90	20	IGNITION STOP LOCK RELAY
91	20	IGNITION STOP RELAY
92	20	IGNITION STOP LOCK RELAY
93	20	IGNITION STOP RELAY
94	20	IGNITION STOP LOCK RELAY
95	20	IGNITION STOP RELAY
96	20	IGNITION STOP LOCK RELAY
97	20	IGNITION STOP RELAY
98	20	IGNITION STOP LOCK RELAY
99	20	IGNITION STOP RELAY
100	20	IGNITION STOP LOCK RELAY

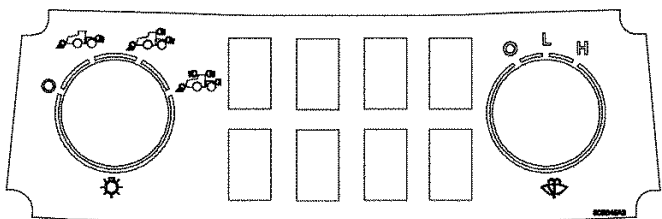
874253B

TJ530 TRACTOR (1/06-) - Chassis/Attachments

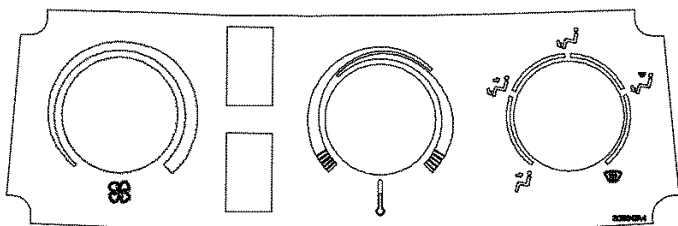
09-57 DECALS

Ref	Part Number	Qty	Description
1	325926A2	1	DECAL, Safety Warning
2	341953A2	2	DECAL, Articulation Warning
3	435668A1	1	DECAL, Fuel
4	327567A3	1	DECAL, WARNING, Power Takeoff
5	404992A1	1	DECAL, New Holland
6	87516902	1	DECAL, Fuse, Power Shift Transmission
7	87371088	1	DECAL, Fuse, Manual Shift Transmission
8	9847773	2	NUT, Flg, M5 x .8
9	387030A1	1	DECAL, Main Electronics

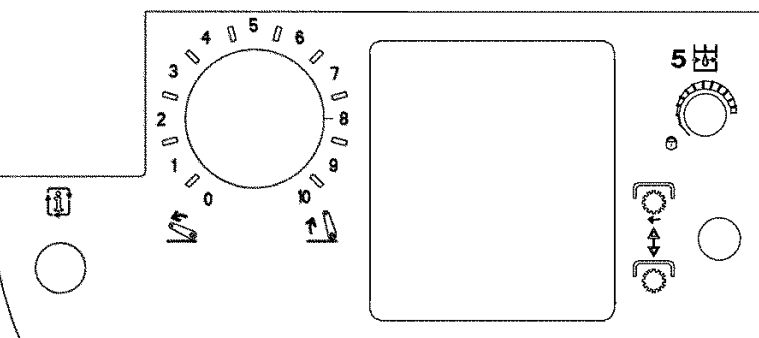
1



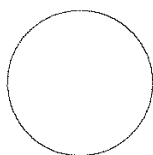
4



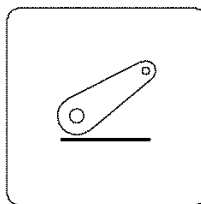
10



9



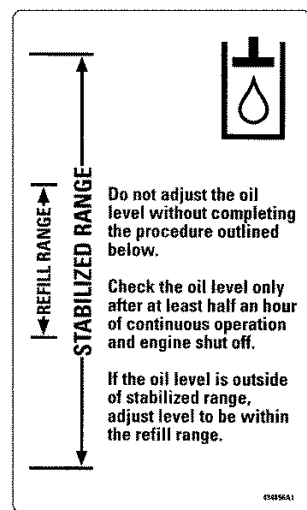
12



17

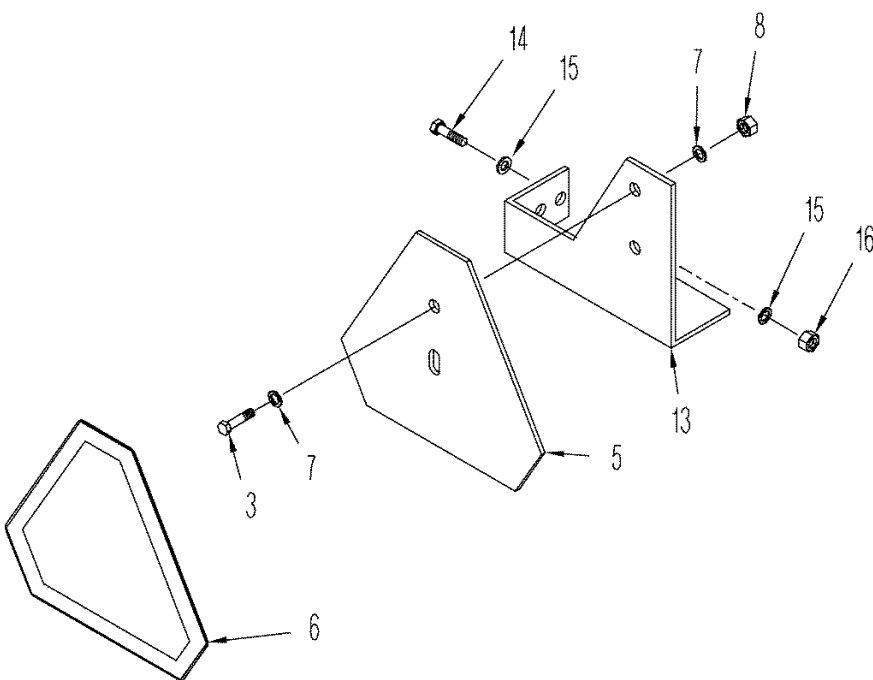


2



11

THIS ENGINE REQUIRES THE USE OF FULLY FORMULATED COOLANT TO PROTECT CRITICAL ALUMINUM COMPONENTS IN THE COOLING SYSTEM. THE USE OF COOLANT CONCENTRATE AND WATER CONTAINING HIGH CHLORIDES AND/OR SULFURS CAN CAUSE ENGINE DAMAGE. SEE OWNERS MANUAL FOR RECOMMENDED COOLANT SPECIFICATIONS.



TJ530 TRACTOR (1/06-) - Chassis/Attachments

09-58 DECALS

Ref	Part Number	Qty	Description
1	431230A1	1	DECAL, Light Panel
2	434856A1	1	DECAL, Hydraulic Oil Level
3	281032	2	BOLT, Hex, 1/4"-20 x 3/4", G8, Full Thd,
4	87450974	1	DECAL, Climate Control, With Automatic Temperature Control
	311860A1	1	EMBLEM, Slow Moving Vehicle (SMV), Inc. 4, 5
5	NSS	1	NOT SERVICED SEPARATELY, Plate, Mounting, SMV
6	311858A1	1	DECAL, Slow Moving Vehicle (SMV)
7	87361	2	WASHER, 1/4", SAE,
8	7770	2	NUT, 1/4"-20, G5,
9	87403322	1	DECAL, Insert, Without Power Takeoff
10	87314394	1	DECAL, RH Armrest, Without Three Point Hitch
11	399083A1	1	DECAL, Coolant
12	393821A1	1	DECAL, Three Point Hitch
13	431187A1	1	BRACKET, Mounting, SMV
14	43248	2	BOLT, Hex, M10 x 40, 10.9, Full Thd,
15	86624176	4	WASHER, M10 x 20 x 2,
16	86514720	2	NUT, LOCK, M10 x 1.5
17	329051A1	1	DECAL, Emergency Exit

TJ530 TRACTOR (1/06-) - Chassis/Attachments

09-59 DECALS

Ref	Part Number	Qty	Description
1	411564A1	1	DECAL, Range / Gear Shift, 24 Speed, With Manual Shift Transmission
2	431156A2	1	DECAL, Maintenance
3	410704A1	1	DECAL, Instructional Seat
4	87427097	1	DECAL, DANGER, Battery
5	87423866	1	DECAL, Remote Hitch Safety
6	82029421	1	DECAL, WARNING, Radiator Pressure
7	87427096	1	DECAL, Pos. (+) Post
8	87427317	1	DECAL, Neg. (-) Post
9	389794A1	1	DECAL, Hydraulic Coupler, Black, 5 Spool Application
9	432771A1	1	DECAL, Hydraulic Coupler, Green
9	432772A1	1	DECAL, Hydraulic Coupler, Blue
9	432773A1	1	DECAL, Hydraulic Coupler, Ginger
9	440438A1	1	DECAL, Hydraulic Coupler, Grey
10	418215A1	1	DECAL, Ignition Switch
11	87368125	1	DECAL, WARNING, Front Weights
12	A187743	1	DECAL, WARNING, Ground Speed Radar
13	8603092	1	DECAL, WARNING, Ether, T9030 / 9040, TJ380 /430

